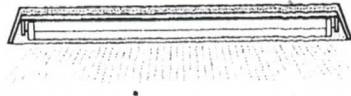
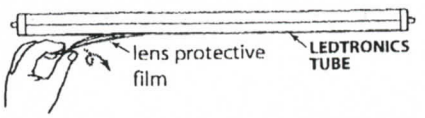


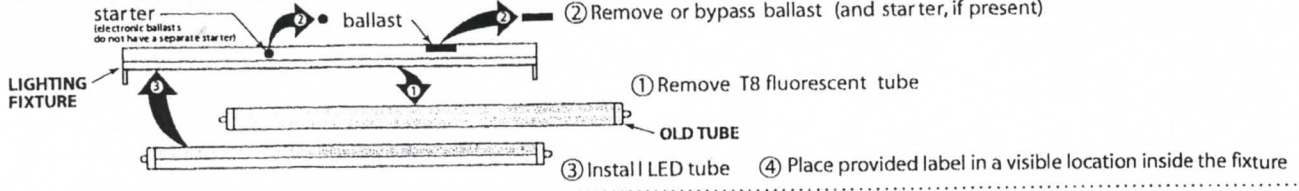
**During Installation...**

If present, peel the clear protective plastic film from the LEDtronics tube lens.

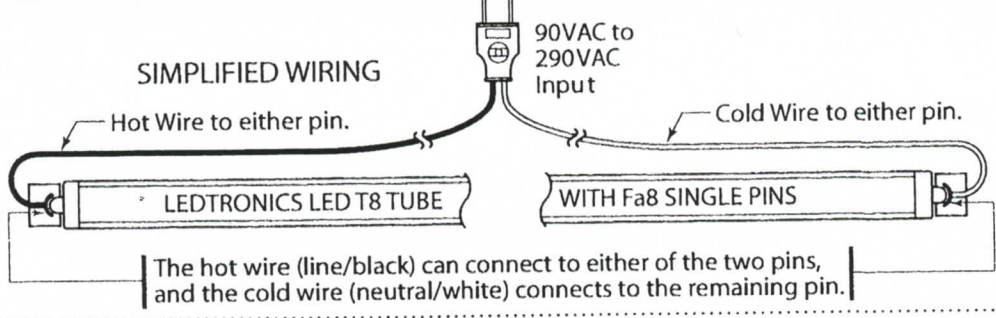


Be certain when installed that the tube lamp's LEDs and their light beams are directed outward from the fixture.

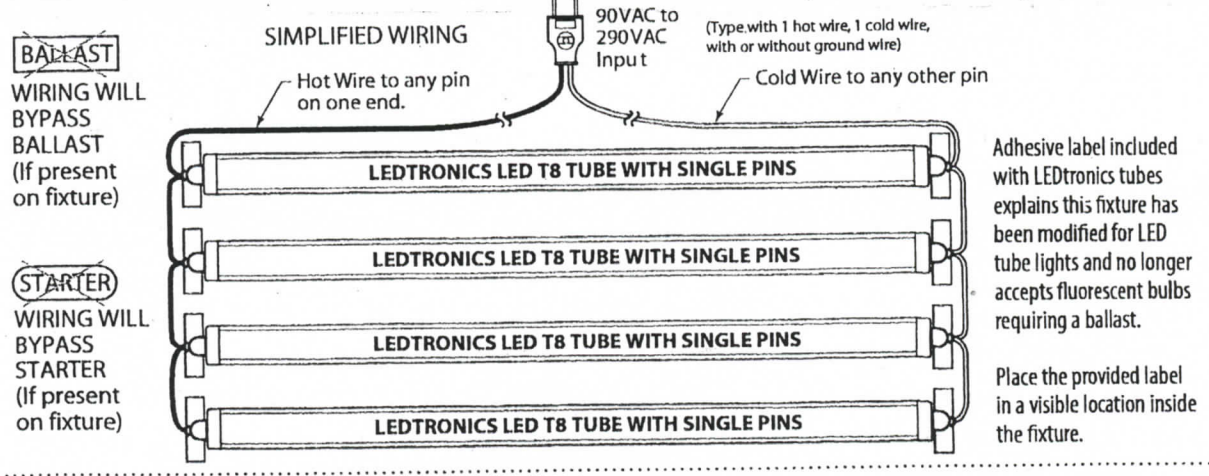
**If the fluorescent tube fixture HAS A BALLAST (and starter, if separate)**



**If the fluorescent tube fixture has NO BALLAST**



**Wiring for fixtures with MULTIPLE TUBES (2, 3 or 4-tube fixtures)**



**For 208V, 240V, and 277V 6-, 8-ft tube light fixtures that take two hot wires**

(North American home socket voltage is commonly 110/120V)

