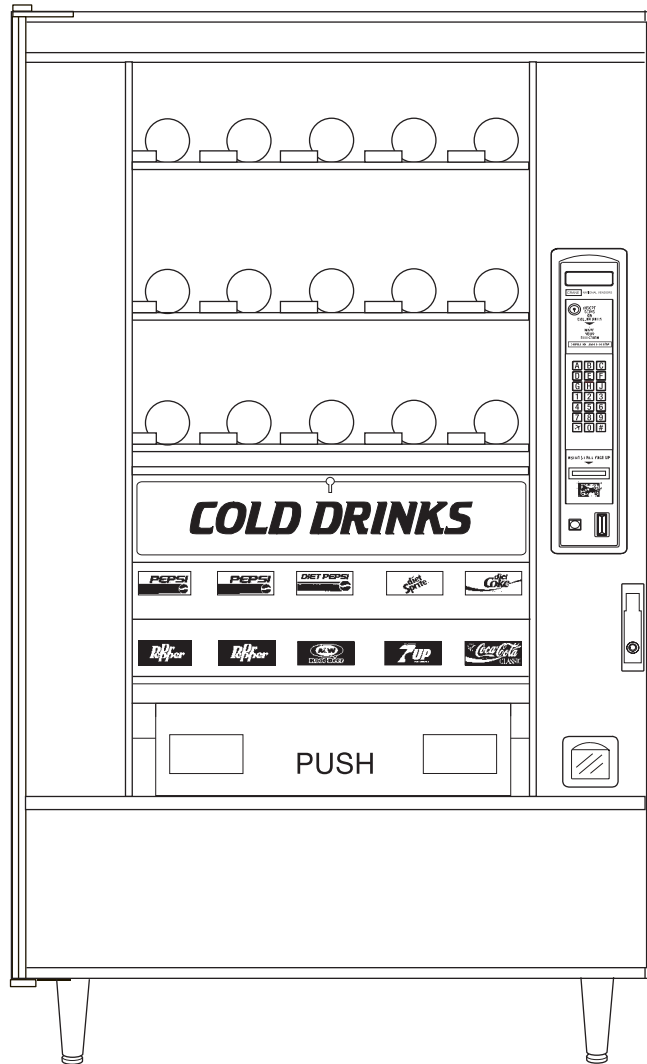


Models 497, 498

# Expanded Snack Center



**PARTS MANUAL**



# LIST OF FIGURES

FIGURE .....	PAGE
FIGURE 1. 497/498 MERCHANDISER.....	1
FIGURE 2. TRIM - MILLENNIA STYLE (PART 1 OF 3).....	2
FIGURE 3. TRIM - MILLENNIA STYLE (PART 2 OF 3).....	4
FIGURE 4. TRIM - MILLENNIA STYLE (PART 3 OF 3).....	6
FIGURE 5. 497 TRIM PANELS .....	8
FIGURE 6. 497 STANDARD TRIM.....	12
FIGURE 23. MILLENNIA DOOR ASSEMBLY .....	22
FIGURE 24. STANDARD DOOR ASSEMBLY.....	24
FIGURE 25. UPPER DOOR LIGHT ASSEMBLY - 115 V.....	26
FIGURE 26. UPPER DOOR LIGHT ASSEMBLY - 230 V.....	28
FIGURE 27. GLASS RETAINER WITH SIDE LIGHT - FOOD OPTION .....	30
FIGURE 28. FLUORESCENT LIGHT SIDE ASSEMBLY WITH COVER .....	32
FIGURE 29. GLASS RETAINER - CAN OPTION .....	34
FIGURE 30. LOWER GLASS SUPPORT PANEL ASSEMBLY .....	36
FIGURE 31. DOOR GLASS AND GLASS RETAINING COMPONENTS.....	37
FIGURE 32. UPPER DOOR LIGHT MOUNTING .....	38
FIGURE 33. LOWER GLASS SUPPORT PANEL.....	39
FIGURE 34. COIN RECEPTACLE ASSEMBLIES .....	40
FIGURE 35. MILLENNIA DOOR LOCK AND HANDLE ASSEMBLY.....	42
FIGURE 36. DOOR LOCK AND HANDLE ASSEMBLY .....	44
FIGURE 37. DOOR LOCK GUARD ACCESSORY.....	46
FIGURE 38. ROTARY DELIVERY PAN ASSEMBLY (PART 1 OF 3).....	48
FIGURE 39. ROTARY DELIVERY PAN ASSEMBLY (PART 2 OF 3).....	50
FIGURE 40. ROTARY DELIVERY PAN ASSEMBLY (PART 3 OF 3) - FOOD OPTION ONLY .....	52
FIGURE 41. FLAP DELIVERY PAN ASSEMBLY (PART 1 OF 3).....	54
FIGURE 42. FLAP DELIVERY PAN ASSEMBLY (PART 2 OF 3) - FOOD OPTION ONLY .....	58
FIGURE 43. FLAP DELIVERY PAN ASSEMBLY (PART 3 OF 3) - FOOD AND CAN OPTIONS .....	60
FIGURE 44. DELIVERY PAN SOLENOID LOCK ASSEMBLY - FOOD OPTION ONLY .....	62
FIGURE 45. GUM AND MINT OPTIONS (CAN MODULES ONLY) (PART 1 OF 2) .....	64
FIGURE 46. GUM AND MINT OPTIONS (CAN MODULES ONLY) (PART 2 OF 2).....	66
FIGURE 47. GUM AND MINT OPTIONS - FOOD MODULES ONLY .....	70
FIGURE 48. GUM AND MINT FRAME AND MAGAZINE ASSEMBLY - FOOD MODULE ONLY .....	72
FIGURE 49. COMMON CABINET (PART 1 OF 5) .....	76
FIGURE 50. COMMON CABINET (PART 2 OF 5) .....	78
FIGURE 51. COMMON CABINET (PART 3 OF 5) .....	80
FIGURE 52. COMMON CABINET (PART 4 OF 5) .....	82
FIGURE 53. COMMON CABINET (PART 5 OF 5) .....	84
FIGURE 54. BASE PLATE ASSEMBLY - MILLENNIA .....	86
FIGURE 55. BASE PLATE ASSEMBLY - STANDARD .....	88
FIGURE 56. CABINET INSULATION - MODEL 498 ONLY (PART 1 OF 4).....	90
FIGURE 57. CABINET INSULATION - MODEL 498 ONLY (PART 2 OF 4).....	92
FIGURE 58. CABINET INSULATION - MODEL 498 ONLY (PART 3 OF 4).....	94
FIGURE 59. CABINET INSULATION - MODEL 498 ONLY (PART 4 OF 4).....	96
FIGURE 60. LEG, LEVELER, AND LEG AND HINGE ASSEMBLIES .....	98
FIGURE 61. POWER PANEL ASSEMBLY - 115 VOLT .....	100
FIGURE 62. POWER PANEL ASSEMBLY - 230 VOLT (FRANCE, GERMANY, SWEDEN) .....	102
FIGURE 63. POWER PANEL ASSEMBLY - 230 VOLT (U.K., CHINA) .....	104
FIGURE 64. POWER PANEL ASSEMBLY - 230 VOLT (N.Z./ARG./BRZ./L.A. 230/S.A. 230 .....	106
FIGURE 65. POWER PANEL ASSEMBLY - ARG./BRZ./L.A. 230 (OLD STYLE).....	108
FIGURE 66. POWER PANEL ASSEMBLY - AUS./N.Z. (OLD STYLE).....	110
FIGURE 67. POWER PANEL ASSEMBLY - 100 VOLT - 50/60 HZ. (JAPAN).....	112

# Expanded Refreshment Center Parts Manual

FIGURE .....	PAGE
FIGURE 68. POWER PANEL ASSEMBLY (MEXICO).....	114
FIGURE 69. MONETARY PANEL ASSEMBLY (PART 1 OF 3).....	116
FIGURE 70. MONETARY PANEL ASSEMBLY (PART 2 OF 3).....	118
FIGURE 71. MONETARY PANEL ASSEMBLY (PART 3 OF 3) .....	120
FIGURE 72. MONETARY INSERTS - UPPER POSITION .....	122
FIGURE 73. MONETARY INSERTS - LOWER POSITION .....	123
FIGURE 74. CARD READER AND BILL VALIDATOR COMBINATIONS.....	124
FIGURE 79. SNACK TRAY ASSEMBLY (PART 1 OF 2) .....	128
FIGURE 80. SNACK TRAY ASSEMBLY (PART 2 OF 2) .....	130
FIGURE 81. CANDY TRAY ASSEMBLY (PART 1 OF 2) .....	132
FIGURE 82. CANDY TRAY ASSEMBLY (PART 2 OF 2) .....	134
FIGURE 83. GUM AND MINT TRAY ASSEMBLY (PART 1 OF 2).....	136
FIGURE 84. GUM AND MINT TRAY ASSEMBLY (PART 2 OF 2).....	138
FIGURE 86. 10-SELECT CAN OPTION .....	140
FIGURE 87. REFRIGERATION MODULE ASSEMBLY - 115 V AND 230 V AMBIENT .....	142
FIGURE 88. REFRIGERATION MODULE - CAN - CHILLED - 230 V - DOMESTIC (PART 1 OF 4) ...	146
FIGURE 89. REFRIGERATION MODULE - CAN - CHILLED - 230 V - DOMESTIC (PART 2 OF 4) ...	148
FIGURE 90. REFRIGERATION MODULE - CAN - CHILLED - 230 V - DOMESTIC (PART 3 OF 4) ...	150
FIGURE 91. REFRIGERATION MODULE - CAN - CHILLED - 230 V - DOMESTIC (PART 4 OF 4) ...	152
FIGURE 92. CAN MODULE ASSEMBLY .....	154
FIGURE 93. FRAME ASSEMBLY.....	156
FIGURE 94. MISCELLANEOUS INTERNAL PARTS .....	158
FIGURE 95. EJECTOR AND MOTOR ASSEMBLY .....	160
FIGURE 96. CONDENSING UNIT .....	162
FIGURE 97. SHROUD & FAN ASSEMBLY .....	164
FIGURE 98. CABINET PARTS - EXPANDED FOOD.....	166
FIGURE 99. DOOR ASSEMBLY - FOOD MODULE.....	168
FIGURE 100. COLD FOOD MODULE ASSEMBLY.....	170
FIGURE 101. MOTOR TO DRIVE ARM ASSEMBLIES CONNECTION DETAIL.....	172
FIGURE 102. FOOD MODULE DOOR FRAME ASSEMBLY.....	174
FIGURE 103. LEFT HAND DRIVE ARM ASSEMBLY .....	176
FIGURE 104. RIGHT HAND DRIVE ARM ASSEMBLY.....	178
FIGURE 105. DRIVE ARM ASSEMBLY ATTACHMENT DETAILS .....	180
FIGURE 106. MOTOR MOUNTING BRACKET ASSEMBLY.....	182
FIGURE 107. FOOD MODULE CABINET INTERIOR - RIGHT SIDE (PART 1 OF 2).....	184
FIGURE 108. FOOD MODULE CABINET INTERIOR - RIGHT SIDE (PART 2 OF 2).....	186
FIGURE 109. CABINET INTERIOR - LEFT SIDE VIEW.....	188
FIGURE 110. FOOD MODULE CABINET INTERIOR - SECTION .....	190
FIGURE 111. FOOD MODULE TRAY FRAME ASSEMBLY .....	192
FIGURE 112. SPIRAL TRAY ASSEMBLY - 5, 6, AND 9 MOTOR .....	194
FIGURE 114. BELT MODULE TRAY ASSEMBLY - 4 MOTOR .....	196
FIGURE 115. BELT MODULE TRAY ASSEMBLY - 5 MOTOR .....	198
FIGURE 116. BELT MODULE TRAY ASSEMBLY - 8 MOTOR .....	200
FIGURE 117. BELT AND SUPPORT ASSEMBLY - SINGLE.....	202
FIGURE 118. BELT AND SUPPORT ASSEMBLY - DUAL.....	204
FIGURE 119. REFRIGERATION MODULE - COLD FOOD - 115 V.....	206
FIGURE 119. REFRIGERATION MODULE - COLD FOOD - 115 V.....	208
FIGURE 120. FROZEN FOOD MODULE - REFRIGERATION ASSEMBLY - 115 VOLT .....	210
FIGURE 120. FROZEN FOOD MODULE - REFRIGERATION ASSEMBLY - 115 VOLT .....	212
FIGURE 121. REFRIGERATION MODULE - COLD FOOD - CHILLED - 230 V (PART 1 OF 3) .....	214
FIGURE 122. REFRIGERATION MODULE - COLD FOOD - CHILLED - 230 V (PART 2 OF 3) .....	216
FIGURE 123. REFRIGERATION MODULE - COLD FOOD - CHILLED - 230 V (PART 3 OF 3) .....	218
FIGURE 124. WIRING HARNESSSES (PART 1 OF 25).....	220

# LIST OF TABLES

TABLE		PAGE
TABLE 2.	TRIM - MILLENNIA STYLE (PART 1 OF 3) .....	3
TABLE 3.	TRIM - MILLENNIA STYLE (PART 2 OF 3) .....	5
TABLE 4.	TRIM - MILLENNIA STYLE (PART 3 OF 3) .....	7
TABLE 5.	497 TRIM PANELS .....	9
TABLE 5 A.	TOP TRIM PANEL .....	9
TABLE 5 B.	RIGHT SIDE TRIM PANEL .....	9
TABLE 5 C.	BOTTOM TRIM PANEL .....	10
TABLE 5 D.	LEFT SIDE TRIM PANEL .....	11
TABLE 6.	497 STANDARD TRIM .....	13
TABLE 7.	BAG ASSEMBLY B4970000 - CAN - 15 (U.S.) .....	14
TABLE 8.	BAG ASSEMBLY B4970006 - FOOD - 15 (U.S.) .....	14
TABLE 9.	BAG ASSEMBLY B4980001 - CAN - 1 (U.K.) .....	15
TABLE 10.	BAG ASSEMBLY B4980007 - FOOD - 1 (U.K.) .....	15
TABLE 11.	BAG ASSEMBLY B4980000 - CAN - 6-7-8 (FRANCE/GERMANY/SWEDEN) .....	16
TABLE 12.	BAG ASSEMBLY B4980004 - FOOD - 6-7 (FRANCE/GERMANY) .....	16
TABLE 13.	BAG ASSEMBLY B4980003 - CAN - 14 (ARGENTINA) .....	17
TABLE 14.	BAG ASSEMBLY B4980005 - FOOD - 14 (ARGENTINA) .....	17
TABLE 15.	BAG ASSEMBLY B4970003 - CAN - 5 (MEXICO) .....	18
TABLE 16.	BAG ASSEMBLY B4970007 - FOOD - 5 (MEXICO) .....	18
TABLE 17.	BAG ASSEMBLY B4980002 - CAN - 4 (BRAZIL) .....	19
TABLE 18.	BAG ASSEMBLY B4980006 - FOOD - 4 (BRAZIL) .....	19
TABLE 19.	BAG ASSEMBLY B4970001 - CAN - 3-4 (LATIN AMERICA/BRAZIL) .....	20
TABLE 20.	BAG ASSEMBLY B4970005 - CAN - 12 (NEW ZEALAND) .....	20
TABLE 21.	BAG ASSEMBLY B4640011 - 27 (SOUTH AFRICA) .....	21
TABLE 22.	BAG ASSEMBLY B4970008 - CAN - 31 (CHINA) .....	21
TABLE 23.	MILLENNIA DOOR ASSEMBLY .....	23
TABLE 24.	STANDARD DOOR ASSEMBLY .....	25
TABLE 25.	UPPER DOOR LIGHT ASSEMBLY - 115 V. ....	27
TABLE 26.	UPPER DOOR LIGHT ASSEMBLY - 230 V. ....	29
TABLE 27.	GLASS RETAINER WITH SIDE LIGHT - FOOD OPTION .....	31
TABLE 28.	FLUORESCENT LIGHT SIDE ASSEMBLY WITH COVER .....	33
TABLE 29.	GLASS RETAINER - CAN OPTION .....	35
TABLE 30.	LOWER GLASS SUPPORT PANEL ASSEMBLY .....	36
TABLE 31.	DOOR GLASS AND GLASS RETAINING COMPONENTS .....	37
TABLE 32.	UPPER DOOR LIGHT MOUNTING .....	38
TABLE 33.	LOWER GLASS SUPPORT PANEL .....	39
TABLE 34.	COIN RECEPTACLE ASSEMBLIES .....	41
TABLE 35.	MILLENNIA DOOR LOCK AND HANDLE ASSEMBLY .....	43
TABLE 36.	DOOR LOCK AND HANDLE ASSEMBLY .....	45
TABLE 37.	DOOR LOCK GUARD ACCESSORY .....	47
TABLE 38.	ROTARY DELIVERY PAN ASSEMBLY (PART 1 OF 3) .....	49
TABLE 39.	ROTARY DELIVERY PAN ASSEMBLY (PART 2 OF 3) .....	51
TABLE 40.	ROTARY DELIVERY PAN ASSEMBLY (PART 3 OF 3) - FOOD OPTION ONLY .....	53
TABLE 41.	FLAP DELIVERY PAN ASSEMBLY (PART 1 OF 3) .....	55
TABLE 42.	FLAP DELIVERY PAN ASSEMBLY (PART 2 OF 3) - FOOD OPTION ONLY .....	59
TABLE 43.	FLAP DELIVERY PAN ASSEMBLY (PART 3 OF 3) - FOOD AND CAN OPTIONS .....	61
TABLE 44.	DELIVERY PAN SOLENOID LOCK ASSEMBLY - FOOD OPTION ONLY .....	63
TABLE 45.	GUM AND MINT OPTIONS (CAN MODULES ONLY) (PART 1 OF 2) .....	65
TABLE 46.	GUM AND MINT OPTIONS (CAN MODULES ONLY) (PART 2 OF 2) .....	67
TABLE 47.	GUM AND MINT OPTIONS - FOOD MODULES ONLY .....	71
TABLE 48.	GUM AND MINT FRAME AND MAGAZINE ASSEMBLY - FOOD MODULE ONLY .....	73

# Expanded Refreshment Center Parts Manual

TABLE	PAGE
TABLE 49. COMMON CABINET (PART 1 OF 5) .....	77
TABLE 50. COMMON CABINET (PART 2 OF 5) .....	79
TABLE 51. COMMON CABINET (PART 3 OF 5) .....	81
TABLE 52. COMMON CABINET (PART 4 OF 5) .....	83
TABLE 53. COMMON CABINET (PART 5 OF 5) .....	85
TABLE 54. BASE PLATE ASSEMBLY - MILLENNIA .....	87
TABLE 55. BASE PLATE ASSEMBLY - STANDARD .....	89
TABLE 56. CABINET INSULATION - MODEL 498 ONLY (PART 1 OF 4) .....	91
TABLE 57. CABINET INSULATION - MODEL 498 ONLY (PART 2 OF 4) .....	93
TABLE 58. CABINET INSULATION - MODEL 498 ONLY (PART 3 OF 4) .....	95
TABLE 59. CABINET INSULATION - MODEL 498 ONLY (PART 4 OF 4) .....	97
TABLE 60. LEG, LEVELER, AND LEG AND HINGE ASSEMBLIES .....	99
TABLE 61. POWER PANEL ASSEMBLY - 115 VOLT .....	101
TABLE 62. POWER PANEL ASSEMBLY - 230 VOLT (FRANCE, GERMANY, SWEDEN) .....	103
TABLE 63. POWER PANEL ASSEMBLY - 230 VOLT (U.K., CHINA) .....	105
TABLE 64. POWER PANEL ASSEMBLY - 230 VOLT (N.Z./ARG./BRZ./L.A. 230/S.A. 230 .....	107
TABLE 65. POWER PANEL ASSEMBLY - ARG./BRZ./L.A. 230 (OLD STYLE) .....	109
TABLE 66. POWER PANEL ASSEMBLY - AUS./N.Z. (OLD STYLE) .....	111
TABLE 67. POWER PANEL ASSEMBLY - 100 VOLT - 50/60 HZ. (JAPAN) .....	113
TABLE 68. POWER PANEL ASSEMBLY (MEXICO) .....	115
TABLE 69. MONETARY PANEL ASSEMBLY (PART 1 OF 3) .....	117
TABLE 70. MONETARY PANEL ASSEMBLY (PART 2 OF 3) .....	119
TABLE 71. MONETARY PANEL ASSEMBLY (PART 3 OF 3) .....	121
TABLE 74. CARD READER AND BILL VALIDATOR COMBINATIONS .....	125
TABLE 75. MONETARY LOCATION OPTIONS .....	125
TABLE 76. COIN MECHANISM OPTIONS .....	126
TABLE 77. BILL VALIDATOR OPTIONS .....	127
TABLE 78. CARD READER OPTIONS .....	127
TABLE 79. SNACK TRAY ASSEMBLY (PART 1 OF 2) .....	129
TABLE 80. SNACK TRAY ASSEMBLY (PART 2 OF 2) .....	131
TABLE 81. CANDY TRAY ASSEMBLY (PART 1 OF 2) .....	133
TABLE 82. CANDY TRAY ASSEMBLY (PART 2 OF 2) .....	135
TABLE 83. GUM AND MINT TRAY ASSEMBLY (PART 1 OF 2) .....	137
TABLE 84. GUM AND MINT TRAY ASSEMBLY (PART 2 OF 2) .....	139
TABLE 85. SPIRAL OPTIONS .....	139
TABLE 86. 10-SELECT CAN OPTION .....	141
TABLE 87. REFRIGERATION MODULE ASSEMBLY - 115 V AND 230 V AMBIENT .....	143
TABLE 88. REFRIGERATION MODULE - CAN - CHILLED - 230 V - DOMESTIC (PART 1 OF 4) .....	147
TABLE 89. REFRIGERATION MODULE - CAN - CHILLED - 230 V - DOMESTIC (PART 2 OF 4) .....	149
TABLE 90. REFRIGERATION MODULE - CAN - CHILLED - 230 V - DOMESTIC (PART 3 OF 4) .....	151
TABLE 91. REFRIGERATION MODULE - CAN - CHILLED - 230 V - DOMESTIC (PART 4 OF 4) .....	153
TABLE 92. CAN MODULE ASSEMBLY .....	155
TABLE 93. FRAME ASSEMBLY .....	157
TABLE 94. MISCELLANEOUS INTERNAL PARTS .....	159
TABLE 95. EJECTOR AND MOTOR ASSEMBLY .....	161
TABLE 96. CONDENSING UNIT .....	163
TABLE 97. SHROUD & FAN ASSEMBLY .....	165
TABLE 98. CABINET PARTS - EXPANDED FOOD .....	167
TABLE 99. DOOR ASSEMBLY - FOOD MODULE .....	169
TABLE 100. COLD FOOD MODULE ASSEMBLY .....	171
TABLE 101. MOTOR TO DRIVE ARM ASSEMBLIES CONNECTION DETAIL .....	173
TABLE 102. FOOD MODULE DOOR FRAME ASSEMBLY .....	175

# Expanded Refreshment Center Parts Manual

TABLE	PAGE
TABLE 103. LEFT HAND DRIVE ARM ASSEMBLY .....	177
TABLE 104. RIGHT HAND DRIVE ARM ASSEMBLY .....	179
TABLE 105. DRIVE ARM ASSEMBLY ATTACHMENT DETAILS .....	181
TABLE 106. MOTOR MOUNTING BRACKET ASSEMBLY .....	183
TABLE 107. FOOD MODULE CABINET INTERIOR - RIGHT SIDE (PART 1 OF 2) .....	185
TABLE 108. FOOD MODULE CABINET INTERIOR - RIGHT SIDE (PART 2 OF 2) .....	187
TABLE 109. CABINET INTERIOR - LEFT SIDE VIEW .....	189
TABLE 110. FOOD MODULE CABINET INTERIOR - SECTION .....	191
TABLE 111. FOOD MODULE TRAY FRAME ASSEMBLY .....	193
TABLE 112. SPIRAL TRAY ASSEMBLY - 5, 6, AND 9 MOTOR .....	195
TABLE 113. SPIRAL OPTIONS .....	195
TABLE 114. BELT MODULE TRAY ASSEMBLY - 4 MOTOR .....	197
TABLE 115. BELT MODULE TRAY ASSEMBLY - 5 MOTOR .....	199
TABLE 116. BELT MODULE TRAY ASSEMBLY - 8 MOTOR .....	201
TABLE 117. BELT AND SUPPORT ASSEMBLY - SINGLE .....	203
TABLE 118. BELT AND SUPPORT ASSEMBLY - DUAL .....	205
TABLE 119. REFRIGERATION MODULE - COLD FOOD - 115 V .....	207
TABLE 120. FROZEN FOOD MODULE - REFRIGERATION ASSEMBLY - 115 VOLT .....	211
TABLE 121. REFRIGERATION MODULE - COLD FOOD - CHILLED - 230 V (PART 1 OF 3) .....	215
TABLE 122. REFRIGERATION MODULE - COLD FOOD - CHILLED - 230 V (PART 2 OF 3) .....	217
TABLE 123. REFRIGERATION MODULE - COLD FOOD - CHILLED - 230 V (PART 3 OF 3) .....	219





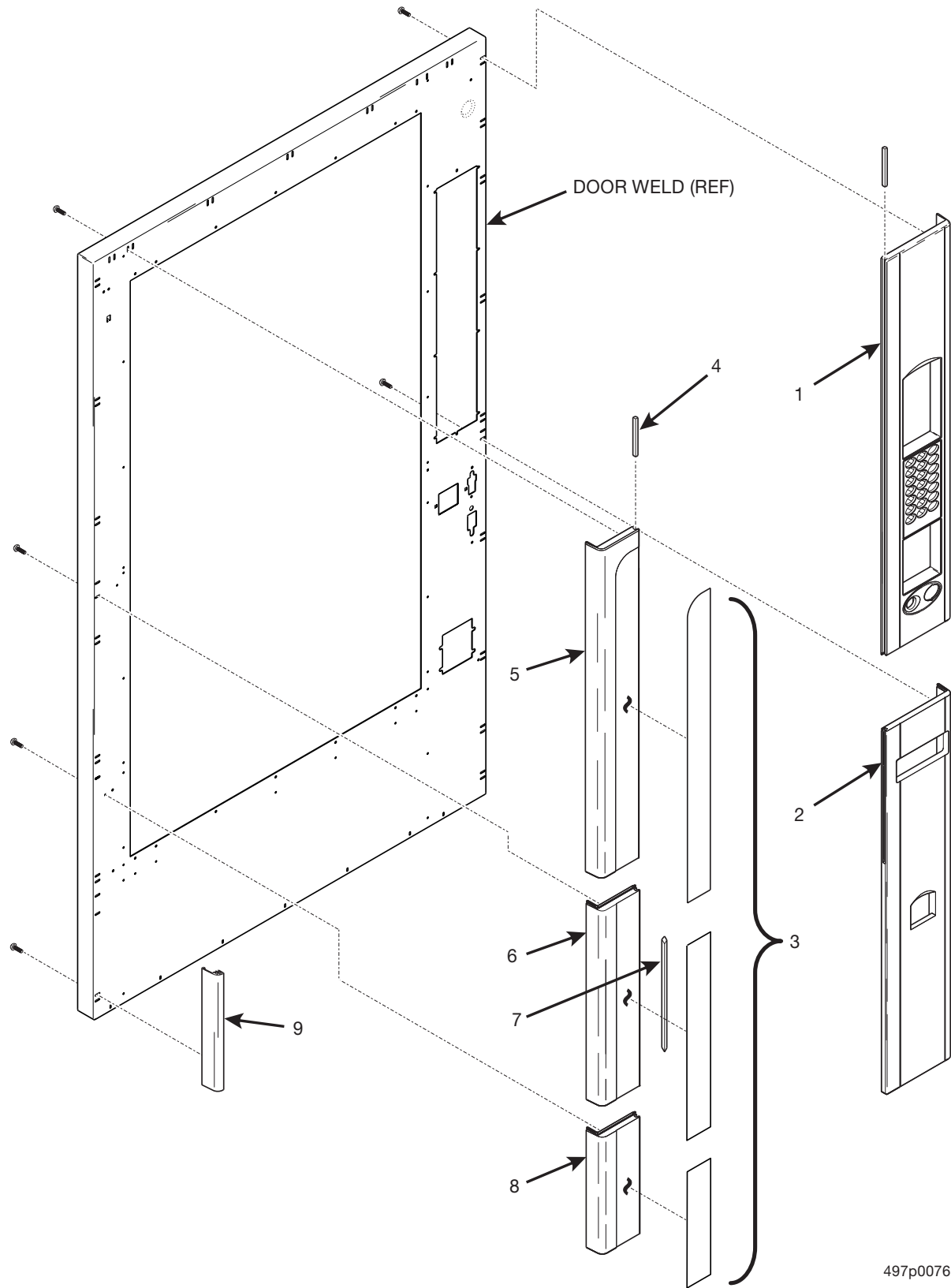


# Expanded Refreshment Center Parts Manual



157p0289

Figure 1. 497/498 Merchandiser



497p0076

Figure 2. Trim - Millennium Style (Part 1 of 3)



# Expanded Refreshment Center Parts Manual

TABLE 2. TRIM - MILLENNIA STYLE (PART 1 OF 3)

INDEX	PART NUMBER	DESCRIPTION	QTY.
1	1572213	RIGHT HAND TRIM - UPPER - "A-21"	1
2	1572214	RIGHT HAND TRIM - LOWER - "B"	1
3	1572258	DECAL - DOOR TRIM VERTICAL ASSEMBLY	1
4	1572259	FILLER - GROOVE - SHORT	2
5	1572215	LEFT HAND TRIM - UPPER - "C"	1
6	1572216	LEFT HAND TRIM - MIDDLE - "D"	1
7	1572260	FILLER - GROOVE - LONG	1
8	1572217	LEFT HAND TRIM - BOTTOM - "E"	1
9	1572267	TRIM - LOWER - DOOR SIDE - GRAY	1
	1572324	TRIM - LOWER - DOOR SIDE - BLACK	

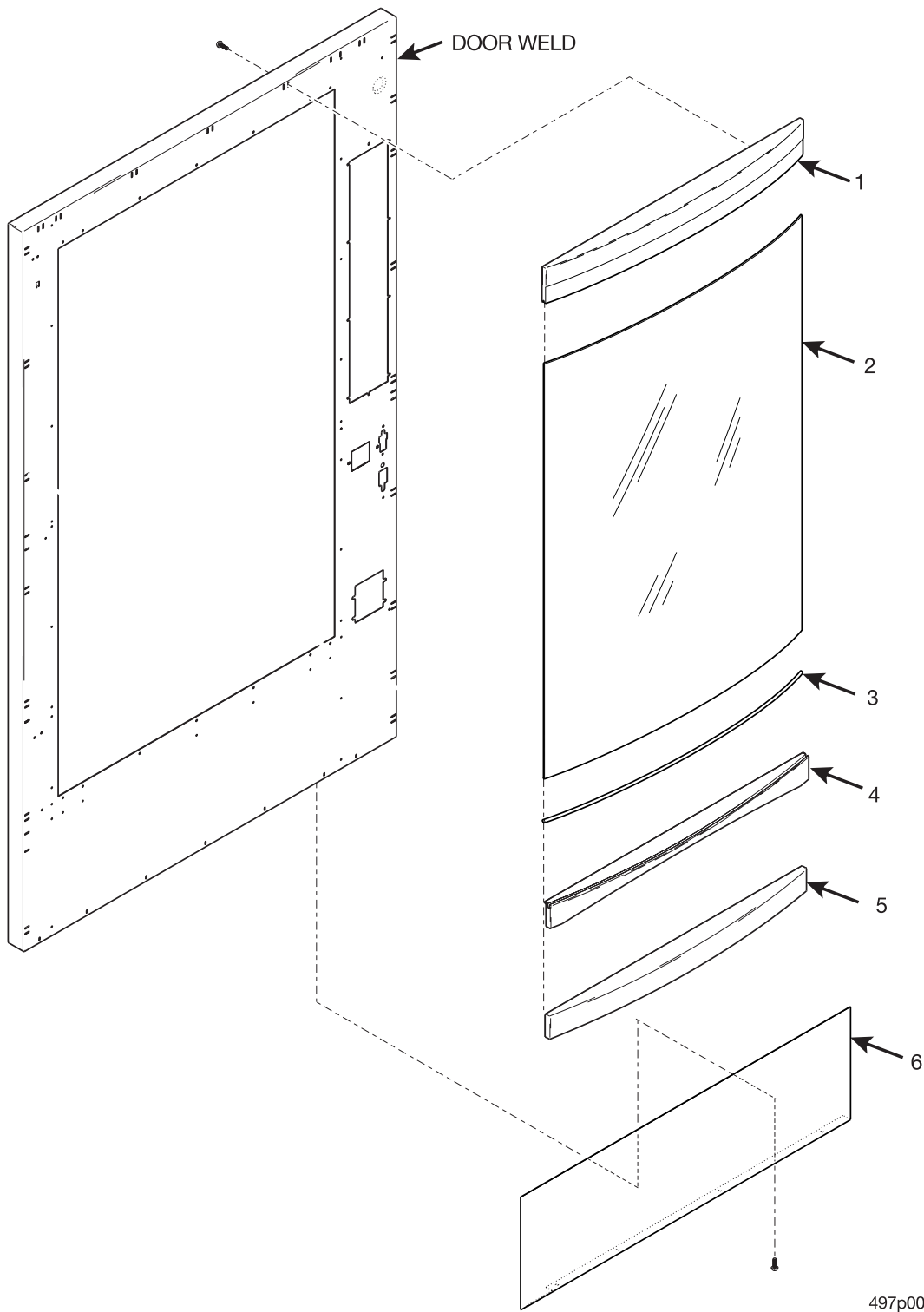


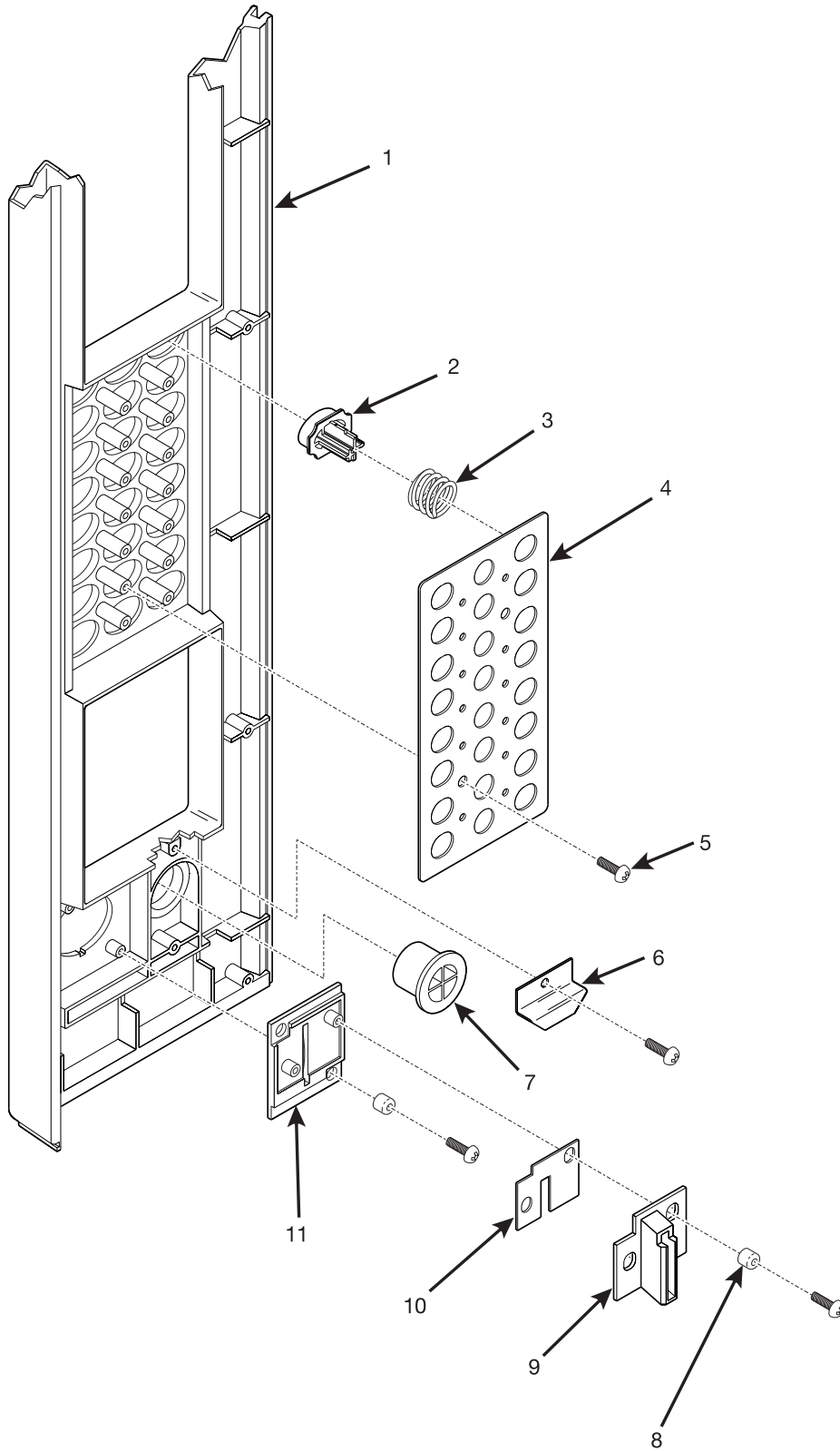
Figure 3. Trim - Millennium Style (Part 2 of 3)



# Expanded Refreshment Center Parts Manual

TABLE 3. TRIM - MILLENNIA STYLE (PART 2 OF 3)

INDEX	PART NUMBER	DESCRIPTION	QTY.
1	4972120	P.O.P. PANEL AND DECAL ASSEMBLY	1
2	4972101	GLASS - CURVED FRONT - 40 INCH - RC4	1
3	4972113	GLASKET - GLASS	1
4	4972201	HORIZONTAL TRIM - UPPER - 40 INCH - "J2"	1
5	4972202	HORIZONTAL TRIM - LOWER - 40 INCH - "K2"	1
6	1572267	TRIM - LOWER DOOR SIDE - GRAY	1
	1572324	TRIM - LOWER DOOR SIDE - BLACK	



363p0230

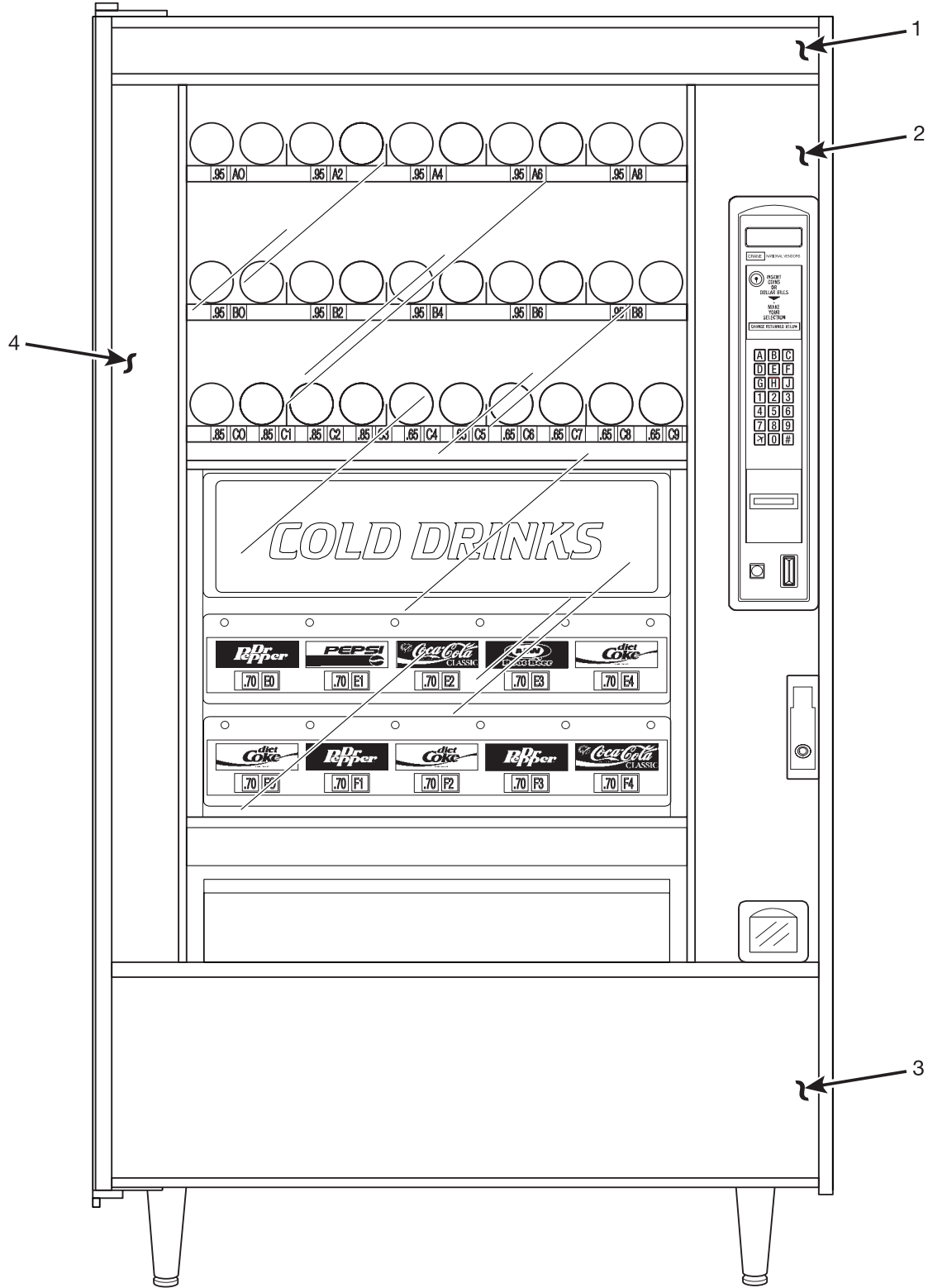
Figure 4. Trim - Millennium Style (Part 3 of 3)



# Expanded Refreshment Center Parts Manual

TABLE 4. TRIM - MILLENNIA STYLE (PART 3 OF 3)

INDEX	PART NUMBER	DESCRIPTION	QTY.
1	1972213	R.H. TRIM - UPPER - "A21"	1
2	1572212	ARRAY - PUSH BUTTON SELECTION	1
3	1572224	SPRING - PUSH BUTTON	2
4	1572223	PLATE - STOP BUTTONS	1
5	1472454	SCREW - #6-20 X .31 PHILLIPS - TRUSS HEAD	12
6	1572292	RETAINER - RETURN BUTTON	1
7	1572210	COIN RETURN BUTTON - "A-2"	1
8	2302053	SPACER CUP	4
9	1572323	EXTENSION - COIN INSERT	1
10	1572209	COIN INSERT - "A-1"	1



497p0025

Figure 5. 497 Trim Panels





# Expanded Refreshment Center Parts Manual

**TABLE 5. 497 TRIM PANELS**

INDEX	PART NUMBER	DESCRIPTION	QTY.
1	-	TOP TRIM PANEL (SEE FIGURE 5 A FOR DETAILS)	1
2	-	RIGHT SIDE TRIM PANEL (SEE FIGURE 5 B FOR DETAILS)	1
3	-	BOTTOM TRIM PANEL (SEE FIGURE 5 C FOR DETAILS)	1
4	-	LEFT SIDE TRIM PANEL (SEE FIGURE 5 D FOR DETAILS)	1

**TABLE 5 A. TOP TRIM PANEL**

PART NUMBER	DESCRIPTION
1472019	PRESIDENTIAL WALNUT
1472101	BLACK HAIRCELL
1472121	ENAMELED
1472150	VINYL SPECIAL
1472160	STERLING
1472168	TEAK
1472176	FORMICA SPECIAL
1472283	WHITE HAIRCELL
1472289	SLATE
1472294	BLACK PICA
1472308	BISON BLACK
1472321	NU WHITE

**TABLE 5 B. RIGHT SIDE TRIM PANEL**

PART NUMBER	DESCRIPTION
1572101	STERLING WITH COIN
1572106	BLACK PICA
1572115	COMP OAK
1572118	DOVE GREY
1572121	STERLING WITHOUT COIN
1572123	ENAMELED
1572130	NU WHITE
1572139	MOROCCO GREY
1572141	PEWTER
1572144	PLATINUM GREY
1572149	PRESIDENTIAL WALNUT
1572160	VINYL SPECIAL
1572163	WHITE HAIRCELL
1572195	PORT AU PRINCE



TABLE 5 C. BOTTOM TRIM PANEL

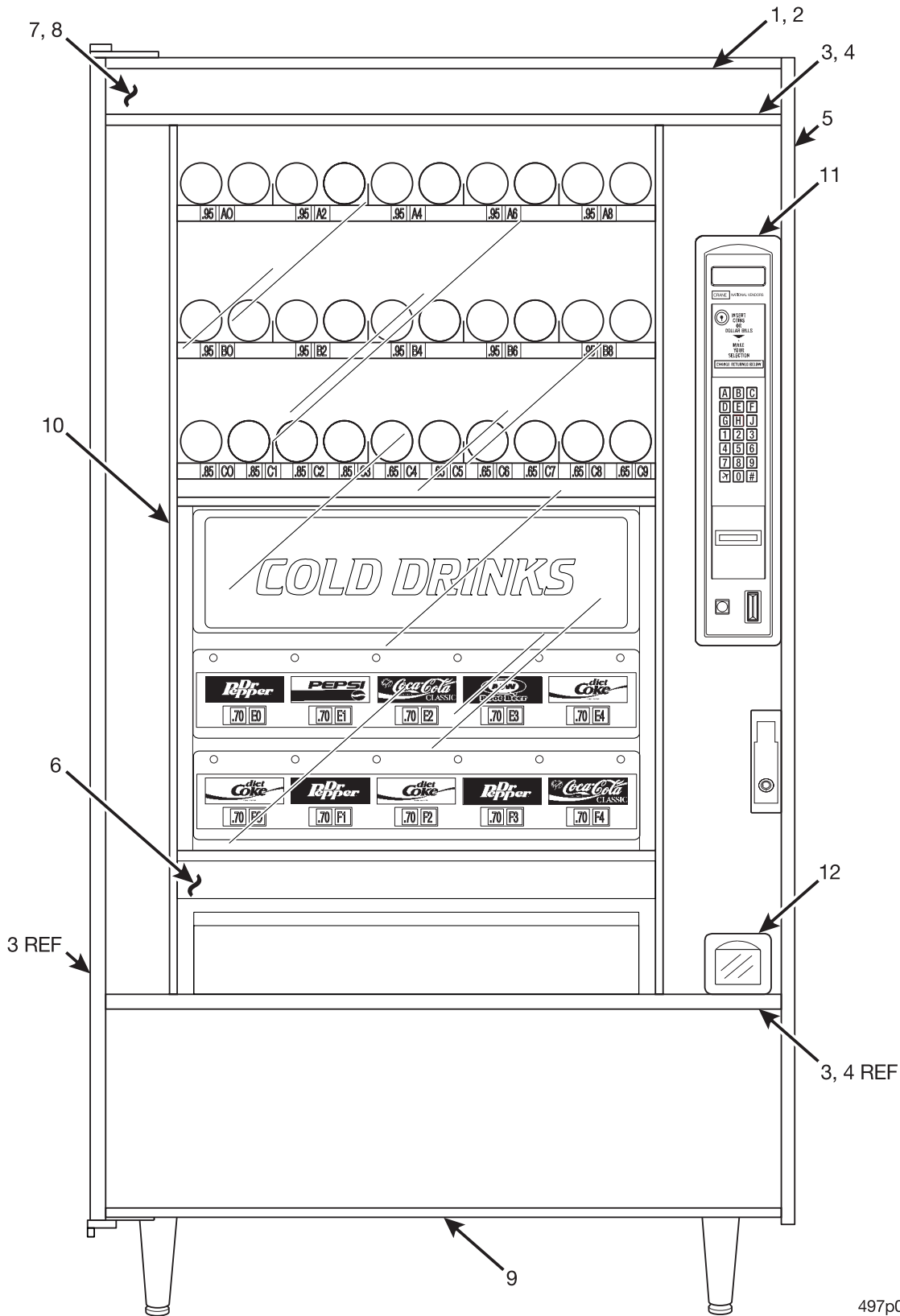
PART NUMBER	DESCRIPTION
1472213	COMP OAK
1472216	PLATINUM GREY
1472232	PRESIDENTIAL WALNUT
1472234	FORMICA SPECIAL
1472235	DOVE
1472237	ENAMELED
1472238	VINYL SPECIAL
1472239	STERLING
1472241	TEAK
1472242	SLATE
1472243	BLACK HAIRCELL
1472248	PEWTER
1472286	WHITE HAIRCELL
1472297	BLACK PICA
1472311	BISON BLACK
1472322	NU WHITE



# Expanded Refreshment Center Parts Manual

TABLE 5 D. LEFT SIDE TRIM PANEL

PART NUMBER	DESCRIPTION
1572100	STERLING
1572105	BLACK PICA
1572114	COMP OAK
1572117	DOVE GREY
1572122	ENAMELED
1572129	NU WHITE
1572138	MOROCCO GREY
1572140	PEWTER
1572143	PLATINUM GREY
1572148	PRESIDENTIAL WALNUT
1572159	VINYL SPECIAL
1572162	WHITE HAIRCELL
1572194	PORT AU PRINCE



497p0026

Figure 6. 497 Standard Trim



# Expanded Refreshment Center Parts Manual

TABLE 6. 497 STANDARD TRIM

INDEX	PART NUMBER	DESCRIPTION	QTY.
1	1472025	TRIM - DOOR - TOP (CLEAR) (ARA AND IMPERIAL CROWN STYLES)	1
	1472097	TRIM - DOOR - TOP (BLACK) (SIGNATURE STYLE)	
2	1472026	TRIM - INSERT (BLACK)	1
3	1472028	TRIM - DOOR - HORIZONTAL (CLEAR) (ARA AND IMPERIAL CROWN STYLE)	2
4	1472026	TRIM - INSERT (BLACK)	1
5	1302409	TRIM - DOOR SIDE (CLEAR) (ARA AND IMPERIAL CROWN STYLES)	2
	1452203	TRIM - DOOR - SIDE - BLACK - IBM (SIGNATURE STYLE)	
6	4972046	TRIM PANEL - GLASS - LOWER	1
7	4302281	INSERT - ARA - BLACK - 38.38 INCHES (ARA STYLE)	-
8	4852013	TRIM - TOP - ARA (CLEAR) (ARA STYLE)	1
9	1472245	EDGE PROTECTOR - BOTTOM	1
10	1472190	TRIM - VERTICAL	2
11	1575047	CASTING - MONETARY FRAME - BLACK	1
12	1522011	TRIM - COIN CUP - BLACK	1



**TABLE 7. BAG ASSEMBLY B4970000 - CAN - 15 (U.S.)**

PART NUMBER	DESCRIPTION	QTY.
1477015	ROLL - PRICE - DOLLARS	2
1477071	PACKAGE ASSEMBLY - PRODUCT PUSHER	
1477083	RETAINER - SPIRAL - WALL	10
1572412	KIT - WIRE BLOCK	1
1577009	LABEL - ITEM LETTERS - A0-A9	1
1577010	LABEL - ITEM LETTERS - B0-B9	1
1577011	LABEL - ITEM LETTERS - C0-C9	1
4747091	FLAVOR STRIPS - 10	1
4747097	PRODUCT ID LABEL - FLAVOR STRIP INST	1
4840040	DOCUMENTATION PACKAGE	1
4970031	WIRING DIAGRAM PACKAGE - 115V - CAN	1

**TABLE 8. BAG ASSEMBLY B4970006 - FOOD - 15 (U.S.)**

PART NUMBER	DESCRIPTION	QTY.
1477014	ROLL - PRICE - CENTS	10
1477015	ROLL - PRICE - DOLLARS	11
1477071	PACKAGE ASSEMBLY - PRODUCT PUSHER	
1477083	RETAINER - SPIRAL - WALL	10
1572412	KIT - WIRE BLOCK	1
1577009	LABEL - ITEM LETTERS - A0-A9	1
1577010	LABEL - ITEM LETTERS - B0-B9	1
1577011	LABEL - ITEM LETTERS - C0-C9	1
1577012	LABEL - ITEM LETTERS - D0-D9	1
1577013	LABEL - ITEM LETTERS - E0-E9	1
1577014	LABEL - ITEM LETTERS - F0-F9	1
4612001	DECAL - "CHILLED FOR FRESHNESS"	1
4840040	DOCUMENTATION PACKAGE	1
4970034	WIRING DIAGRAM PACKAGE - 115V - FOOD	1



# Expanded Refreshment Center Parts Manual

**TABLE 9. BAG ASSEMBLY B4980001 - CAN - 1 (U.K.)**

PART NUMBER	DESCRIPTION	QTY.
1472273	PRICE ROLL - UK - 1L/10L,40P/95P	5
1472274	PRICE ROLL - UK - 1L/10L,8P/35P	32
1477071	PACKAGE ASSEMBLY - PRODUCT PUSHER	-
1477083	RETAINER - SPIRAL - WALL	10
1572205	ROLL - PRICE - UK - 36P TO 62P +FR	10
1572206	ROLL - PRICE - UK RANGE:63P TO 9	5
1572412	KIT - WIRE BLOCK	1
1577023	LABEL - ITEM LETTERS - A0-A9 - U.K	1
1577024	LABEL - ITEM LETTERS - B0-B9 - U.K	1
1577025	LABEL - ITEM LETTERS - C0-C9 - U.K	1
1577026	LABEL - ITEM LETTERS - D0-D9 - U.K	1
1577027	LABEL - ITEM LETTERS - E0-E9 - U.K	1
1577028	LABEL - ITEM LETTERS - F0-F9 - U.K	1
4612001	DECAL - "CHILLED FOR FRESHNESS"	1
4747091	FLAVOR STRIPS - 10	1
4747097	PRODUCT ID LABEL FLAVOR STRIP INST	1
4840040	DOCUMENTATION PACKAGE	1
4970032	WIRING DIAGRAM PACKAGE - 230V - EXEC - CAN	1

**TABLE 10. BAG ASSEMBLY B4980007 - FOOD - 1 (U.K.)**

PART NUMBER	DESCRIPTION	QTY.
1472273	PRICE ROLL - UK - 1L/10L,40P/95P	5
1472274	PRICE ROLL - UK - 1L/10L,8P/35P	32
1477071	PACKAGE ASSEMBLY - PRODUCT PUSHER	
1477083	RETAINER - SPIRAL - WALL	10
1572205	ROLL - PRICE - UK - 36P TO 62P +FR	10
1572206	ROLL - PRICE - UK RANGE:63P TO 9	5
1572412	KIT - WIRE BLOCK	1
1577023	LABEL - ITEM LETTERS - A0-A9 - U.K	1
1577024	LABEL - ITEM LETTERS - B0-B9 - U.K	1
1577025	LABEL - ITEM LETTERS - C0-C9 - U.K	1
1577026	LABEL - ITEM LETTERS - D0-D9 - U.K	1
1577027	LABEL - ITEM LETTERS - E0-E9 - U.K	1
1577028	LABEL - ITEM LETTERS - F0-F9 - U.K	1
4612001	DECAL - "CHILLED FOR FRESHNESS	1
4840040	DOCUMENTATION PACKAGE	1
4970035	WIRING DIAGRAM PACKAGE - 230V - EXEC - FOOD	1



**TABLE 11. BAG ASSEMBLY B4980000 - CAN - 6-7-8 (FRANCE/GERMANY/SWEDEN)**

PART NUMBER	DESCRIPTION	QTY.
1477083	RETAINER - SPIRAL - WALL	10
1477123	PRICE ROLL - 0 TO 25 - U.K./GER/	42
1572412	KIT - WIRE BLOCK	1
1577016	LABEL - ITEM LETTERS - A0-A9 - GER	1
1577017	LABEL - ITEM LETTERS - B0-B9 - GER	1
1577018	LABEL - ITEM LETTERS - C0-C9 - GER	1
1577020	LABEL - ITEM LETTERS - E0-E9 - GER	1
1577021	LABEL - ITEM LETTERS - F0-F9 - GER	1
4747091	FLAVOR STRIPS - 10	1
4747097	PRODUCT ID LABEL FLAVOR STRIP INST	1
4840040	DOCUMENTATION PACKAGE	1
4970032	WIRING DIAGRAM PACKAGE - 230V - EXEC - CAN	1

**TABLE 12. BAG ASSEMBLY B4980004 - FOOD - 6-7 (FRANCE/GERMANY)**

PART NUMBER	DESCRIPTION	QTY.
1477083	RETAINER - SPIRAL - WALL	10
1477123	PRICE ROLL - 0 TO 25 - U.K./GER/	42
1572412	KIT - WIRE BLOCK	1
1577016	LABEL - ITEM LETTERS - A0-A9 - GER	1
1577017	LABEL - ITEM LETTERS - B0-B9 - GER	1
1577018	LABEL - ITEM LETTERS - C0-C9 - GER	1
1577020	LABEL - ITEM LETTERS - E0-E9 - GER	1
1577021	LABEL - ITEM LETTERS - F0-F9 - GER	1
4840040	DOCUMENTATION PACKAGE	1
4970035	WIRING DIAGRAM PACKAGE - 230V - EXEC - FOOD	1





# Expanded Refreshment Center Parts Manual

**TABLE 13. BAG ASSEMBLY B4980003 - CAN - 14 (ARGENTINA)**

<b>PART NUMBER</b>	<b>DESCRIPTION</b>	<b>QTY.</b>
1477015	ROLL - PRICE - DOLLARS	40
1477071	PACKAGE ASSEMBLY - PRODUCT PUSHER	
1477083	RETAINER - SPIRAL - WALL	10
1572412	KIT - WIRE BLOCK	1
1577009	LABEL - ITEM LETTERS - A0-A9	1
1577010	LABEL - ITEM LETTERS - B0-B9	1
1577011	LABEL - ITEM LETTERS - C0-C9	1
4747091	FLAVOR STRIPS - 10	1
4747097	PRODUCT ID LABEL FLAVOR STRIP INST	1
4840040	DOCUMENTATION PACKAGE	1
4970032	WIRING DIAGRAM PACKAGE - 230V - EXEC - CAN	1

**TABLE 14. BAG ASSEMBLY B4980005 - FOOD - 14 (ARGENTINA)**

<b>PART NUMBER</b>	<b>DESCRIPTION</b>	<b>QTY.</b>
1477015	ROLL - PRICE DOLLARS	40
1477071	PACKAGE ASSEMBLY - PRODUCT PUSHER	
1477083	RETAINER - SPIRAL - WALL	10
1572412	KIT - WIRE BLOCK	1
1577009	LABEL - ITEM LETTERS - A0-A9	1
1577010	LABEL - ITEM LETTERS - B0-B9	1
1577011	LABEL - ITEM LETTERS - C0-C9	1
4840040	DOCUMENTATION PACKAGE	1
4970035	WIRING DIAGRAM PACKAGE - 230V - EXEC - FOOD	1



**TABLE 15. BAG ASSEMBLY B4970003 - CAN - 5 (MEXICO)**

PART NUMBER	DESCRIPTION	QTY.
1477083	RETAINER - SPIRAL - WALL	10
1477123	PRICE ROLL - 0 TO 25 - U.K./GER/	40
1572412	KIT - WIRE BLOCK	1
1577016	LABEL - ITEM LETTERS - A0-A9 - GER	1
1577017	LABEL - ITEM LETTERS - B0-B9 - GER	1
1577018	LABEL - ITEM LETTERS - C0-C9 - GER	1
1577020	LABEL - ITEM LETTERS - E0-E9 - GER	1
1577021	LABEL - ITEM LETTERS - F0-F9 - GER	1
4747091	FLAVOR STRIPS - 10	1
4747097	PRODUCT ID LABEL FLAVOR STRIP INST	1
4840040	DOCUMENTATION PACKAGE	1
4970033	WIRING DIAGRAM PACKAGE - 115V/230V - EXEC-C	1

**TABLE 16. BAG ASSEMBLY B4970007 - FOOD - 5 (MEXICO)**

PART NUMBER	DESCRIPTION	QTY.
1477014	ROLL - PRICE CENTS	10
1477071	PACKAGE ASSEMBLY - PRODUCT PUSHER	
1477083	RETAINER - SPIRAL - WALL	10
1477123	PRICE ROLL - 0 TO 25 - U.K./GER/	40
1572412	KIT - WIRE BLOCK	1
1577016	LABEL - ITEM LETTERS - A0-A9 - GER	1
1577017	LABEL - ITEM LETTERS - B0-B9 - GER	1
1577018	LABEL - ITEM LETTERS - C0-C9 - GER	1
1577019	LABEL - ITEM LETTERS - D0-D9 - GER	1
1577020	LABEL - ITEM LETTERS - E0 - E9 - GER	1
1577021	LABEL - ITEM LETTERS - F0-F9 - GER	1
4612001	DECAL - "CHILLED FOR FRESHNESS"	1
4840040	DOCUMENTATION PACKAGE	1
4970033	WIRING DIAGRAM PACKAGE - 115V/230V - EXEC - C	1



# Expanded Refreshment Center Parts Manual

**TABLE 17. BAG ASSEMBLY B4980002 - CAN - 4 (BRAZIL)**

<b>PART NUMBER</b>	<b>DESCRIPTION</b>	<b>QTY.</b>
1477071	PACKAGE ASSEMBLY - PRODUCT PUSHER	-
1477083	RETAINER - SPIRAL - WALL	10
1477123	PRICE ROLL - 0 TO 25 - U.K./GER/	40
1572412	KIT - WIRE BLOCK	1
1577023	LABEL - ITEM LETTERS - A0-A9 - U.K	1
1577024	LABEL - ITEM LETTERS - B0-B9 - U.K	1
1577025	LABEL - ITEM LETTERS - C0-C9 - U.K	1
4747091	FLAVOR STRIPS - 10	1
4747097	PRODUCT ID LABEL FLAVOR STRIP INST	1
4840040	DOCUMENTATION PACKAGE	1
4970032	WIRING DIAGRAM PACKAGE - 230V - EXEC - CAN	1

**TABLE 18. BAG ASSEMBLY B4980006 - FOOD - 4 (BRAZIL)**

<b>PART NUMBER</b>	<b>DESCRIPTION</b>	<b>QTY.</b>
1477071	PACKAGE ASSEMBLY - PRODUCT PUSHER	
1477083	RETAINER - SPIRAL - WALL	10
1477123	PRICE ROLL - 0 TO 25 - U.K./GER/	40
1572412	KIT - WIRE BLOCK	1
1577023	LABEL - ITEM LETTERS - A0-A9 - U.K	1
1577024	LABEL - ITEM LETTERS - B0-B9 - U.K	1
1577025	LABEL - ITEM LETTERS - C0-C9 - U.K	1
4840040	DOCUMENTATION PACKAGE	1
4970035	WIRING DIAGRAM PACKAGE - 230V - EXEC - FOOD	1



**TABLE 19. BAG ASSEMBLY B4970001 - CAN - 3-4 (LATIN AMERICA/BRAZIL)**

PART NUMBER	DESCRIPTION	QTY.
1477071	PACKAGE ASSEMBLY - PRODUCT PUSHER	
1477083	RETAINER - SPIRAL - WALL	10
1477123	PRICE ROLL - 0 TO 25 - U.K./GER/	42
1572412	KIT - WIRE BLOCK	1
1577023	LABEL - ITEM LETTERS - A0-A9 - U.K	1
1577024	LABEL - ITEM LETTERS - B0-B9 - U.K	1
1577025	LABEL - ITEM LETTERS - C0-C9 - U.K	1
1577027	LABEL - ITEM LETTERS - E0-E9 - U.K	1
1577028	LABEL - ITEM LETTERS - F0-F9 - U.K	1
4747091	FLAVOR STRIPS - 10	1
4747097	PROD.ID LBL/FLAVR STRIP INST	1
4840040	DOCUMENTATION PACKAGE	1
4970033	WIRING DIAGRAM PACKAGE - 115V/230V - EXEC- C	1

**TABLE 20. BAG ASSEMBLY B4970005 - CAN - 12 (NEW ZEALAND)**

PART NUMBER	DESCRIPTION	QTY
1477071	PACKAGE ASSY - PRODUCT PUSHER	1
1477083	RETAINER - SPIRAL - WALL	10
1477123	PRICE ROLL - 0 TO 25 - U.K./GER/	42
1572412	KIT - WIRE BLOCK	1
1577009	LABEL - ITEM LETTERS - A0-A9	1
1577010	LABEL - ITEM LETTERS B0-B9	1
1577011	LABEL - ITEM LETTERS C0-C9	1
2360036	BAG PACKING	3
4612001	DECAL - "CHILLED FOR FRESHNESS"	1
4747091	FLAVOR STRIPS - 10	1
4747097	PRODUCT ID LABEL FLAVOR STRIP INST	1
4840040	DOCUMENTATION PACKAGE	1
4970027	LIST - BAG ASSY B4970005 - CONTE	1
4970032	WIRING DIAGRAM PACKAGE - 230V - EXEC - CAN	1



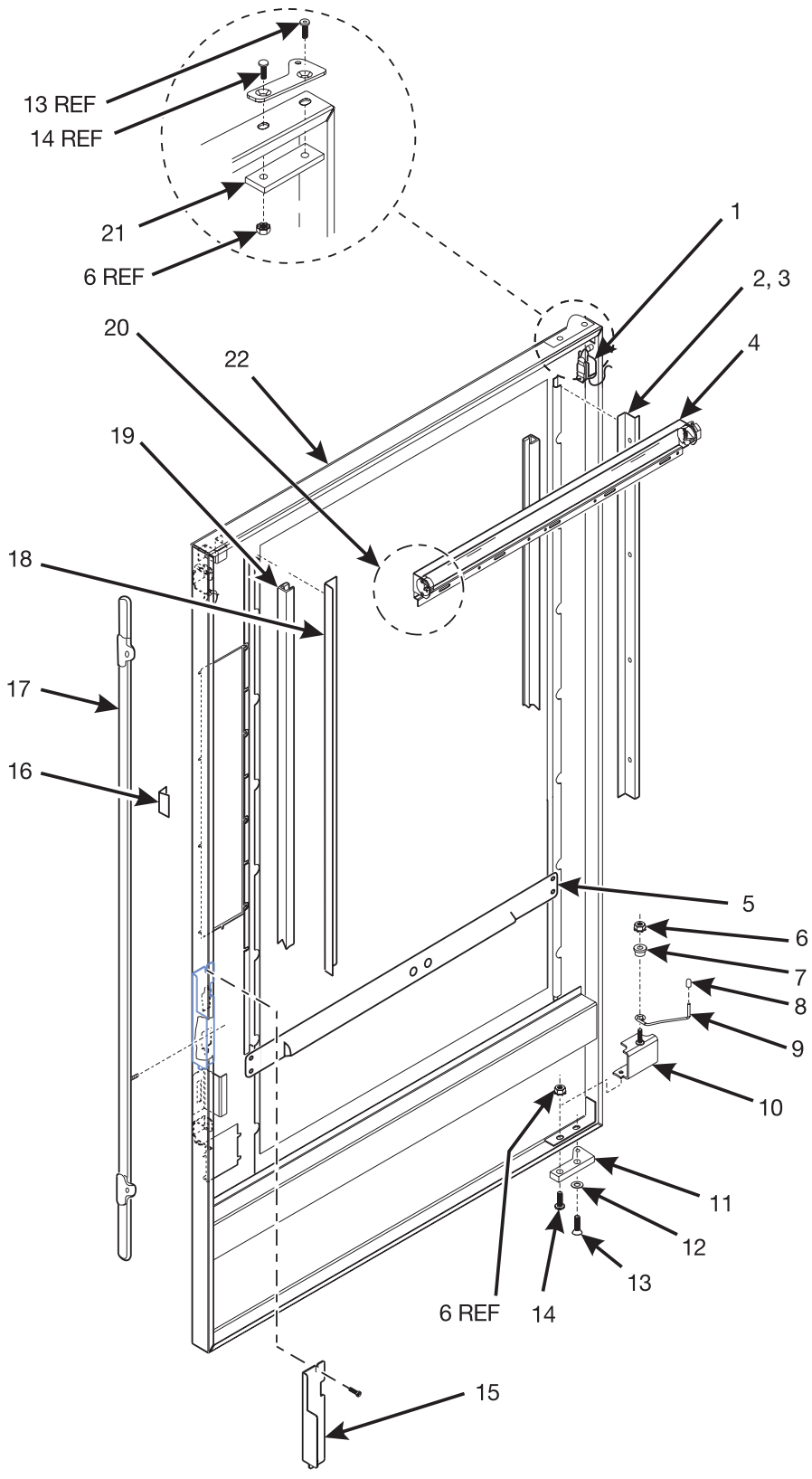
# Expanded Refreshment Center Parts Manual

**TABLE 21. BAG ASSEMBLY B4640011 - 27 (SOUTH AFRICA)**

PART NUMBER	DESCRIPTION	QTY.
1472274	PRICE ROLL - UK - 1L/10L,8P/35P	32
1477071	PACKAGE ASSEMBLY - PRODUCT PUSHER	1
1477083	RETAINER - SPIRAL - WALL	10
1477123	PRICE ROLL - 0 TO 25 - U.K./GER/	32
1570071	DOCUMENTATION PACKAGE	1
1572205	ROLL - PRICE - UK - 36P TO 62P +FR	32
1572206	ROLL - PRICE - UK - RANGE: 63P TO 9	32
1572412	KIT - WIRE BLOCK	1
1575083	COIN CHUTE & BRACKET ASSEMBL	1
1575086	INSTRUCTION SHEET - COIN CHUTE & BRACKET ASSEMBLY	1
1577023	LABEL - ITEM LETTERS - A0-A9 - U.K	1
1577024	LABEL - ITEM LETTERS - B0-B9 - U.K	1
1577025	LABEL - ITEM LETTERS - C0-C9 - U.K	1
1577026	LABEL - ITEM LETTERS - D0-D9 - U.K	1
1577027	LABEL - ITEM LETTERS - E0-E9 - U.K	1
1577028	LABEL - ITEM LETTERS - F0-F9 - U.K	1
4612001	DECAL - "CHILLED FOR FRESHNESS"	1

**TABLE 22. BAG ASSEMBLY B4970008 - CAN - 31 (CHINA)**

PART NUMBER	DESCRIPTION	QTY.
1477071	PACKAGE ASSEMBLY - PRODUCT PUSHER	1
1477083	RETAINER - SPIRAL - WALL	10
1477123	PRICE ROLL - 0 TO 25 - U.K./GER/	42
1572412	KIT - WIRE BLOCK	1
1577009	LABEL - ITEM LETTERS - A0-A9	1
1577010	LABEL - ITEM LETTERS B0-B9	1
1577011	LABEL - ITEM LETTERS C0-C9	1
2360036	BAG PACKING	3
4612001	DECAL - "CHILLED FOR FRESHNESS"	1
4747091	FLAVOR STRIPS - 10	1
4747097	PRODUCT ID LABEL FLAVOR STRIP INST	1
4840040	DOCUMENTATION PACKAGE	1
4970032	WIRING DIAGRAM PACKAGE - 230V - EXEC - CAN	1



497p0066

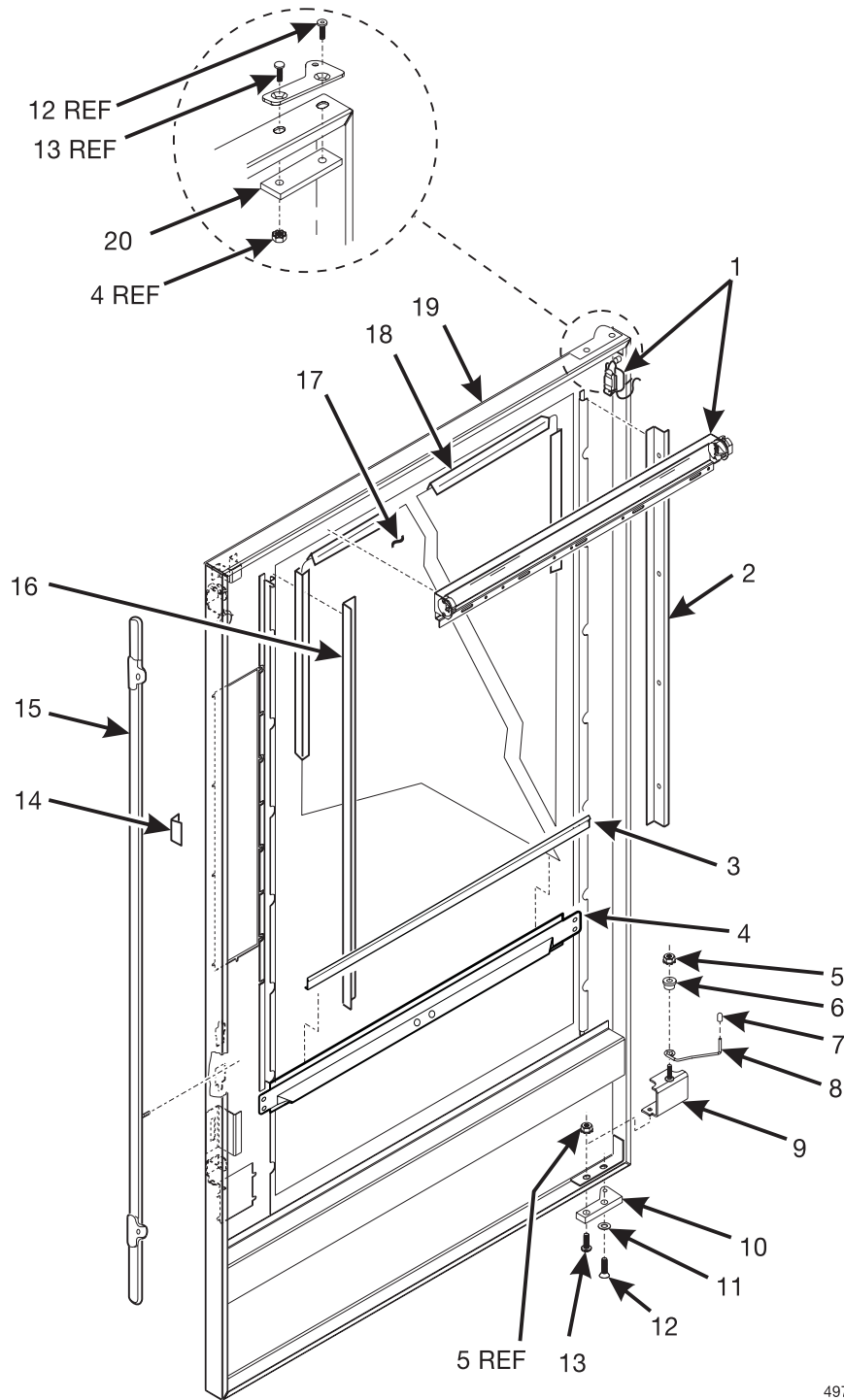
Figure 23. Millennium Door Assembly



# Expanded Refreshment Center Parts Manual

TABLE 23. MILLENNIA DOOR ASSEMBLY

INDEX	PART NUMBER	DESCRIPTION	QTY.
1	6152118	BALLAST ASSEMBLY - CABINET LIGHT (SEE FIGURE 25 FOR DETAILS) (SEE FIGURE 26 FOR DETAILS)	1
2	4972107	RETAINER - GLASS - WITH SIDE LIGHT (SEE FIGURE 27 FOR DETAILS)	1
3	1572020	RETAINER - GLASS - LARGE SNACK - NV BLACK (SEE FIGURE 29 FOR DETAILS)	OPT.
4	1572017	LIGHT ASSEMBLY - UPPER - DOOR (SEE FIGURE 25 FOR DETAILS) (SEE FIGURE 26 FOR DETAILS)	1
5	4972141	PANEL ASSEMBLY - GLASS - LOWER (SEE FIGURE 30 FOR DETAILS)	1
6	1211105	1/4-20 KEPS NUT - EXT LW - ZP	3
7	1142017	BUSHING - DOOR CHECK	1
8	1571037	CAP - VINYL - .281 ID X .50 LONG	1
9	1572009	ROD - DOOR CHECK	1
10	1572007	WELD ASSEMBLY - DOOR CHECK	1
11	6232031	HINGE ASSEMBLY - DOOR - LOWER	1
12	4242145	BEARING - THRUST - LOWER HINGE	1
13	6232036	SCREW - 5/16-18 X .75 FLT. HD. SOCKET	2
14	6232208	WELD SCREW - #1/4-20 X 1 IN LONG	2
15	1572196	CHANNEL - FILLER - LOCK (CAPTURED BY TRIM SCREWS)	1
16	1472250	GUIDE - LOCK BAR	1
17	1472178	LOCK BAR ASSEMBLY	1
18	1472048	PLATE - GLASS RETAINING	1
19	1572243	SPACER - GLASS RETAINER (SEE FIGURE 31 FOR DETAILS)	
20	4972106	SPACER - LIGHT BRACKET (SEE FIGURE 32 FOR DETAILS)	1
21	6232028	PLATE ASSEMBLY - HINGE MOUNTING	1
22	4972185	DOOR WELD - BLACK	1



497P0067

Figure 24. Standard Door Assembly





**TABLE 24. STANDARD DOOR ASSEMBLY**

INDEX	PART NUMBER	DESCRIPTION	QTY
1	--	(SEE FIGURE 25 FOR DETAILS)	--
2	--	(SEE FIGURE 28 FOR DETAILS) (SEE FIGURE 29 FOR DETAILS)	--
3	4972047	CHANNEL - GLASS - LOWER	1
4	1572445	PANEL ASSEMBLY-GLASS-LOWER	1
5	1211105	1/4-20 KEPS NUT - EXT LW - ZP	2
6	1142017	BUSHING -DOOR CHECK	1
7	1571037	CAP - VINYL - .281 I.D. X .50 LONG	1
8	1572009	ROD - DOOR CHECK	1
9	1572007	WELD ASSEMBLY - DOOR CHECK	1
10	6232031	HINGE ASSEMBLY - DOOR - LOWER	1
11	4242145	BEARING - THRUST - LOWER HINGE	1
12	6232036	SCREW - 5/16-18 X .75 FLT HD. SOCKET	2
13	6232208	WELD SCREW #1/4-20 X 1 IN LONG	2
14	1472250	GUIDE - LOCK BAR	1
15	1472178	LOCK BAR ASSEMBLY	1
16	1472048	PLATE - GLASS RETAINING	1
17	4972048	GLASS - DISPLAY	OPT
	4972108	LEXAN - DISPLAY GLASS	
18	2222124	CHANNEL - GLASS - HORIZONTAL AND VERTICAL (114.18î)	--
19	4972185	DOOR WELD - PAINTED - N.V. BLACK	1
20	6232028	PLATE ASSEMBLY - HINGE MOUNTING	1

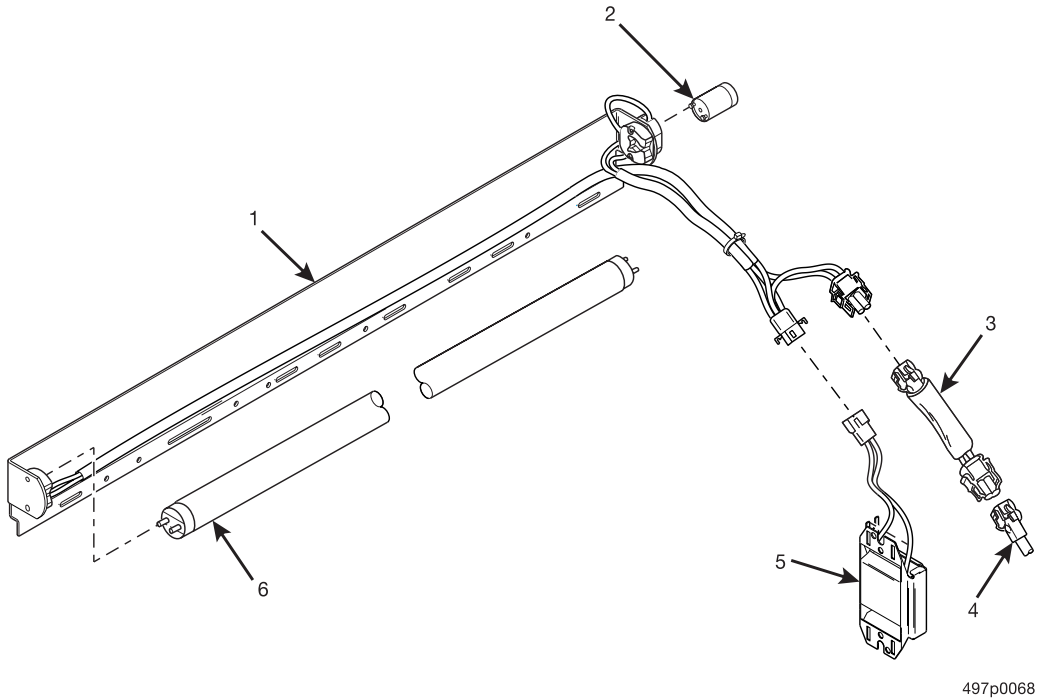


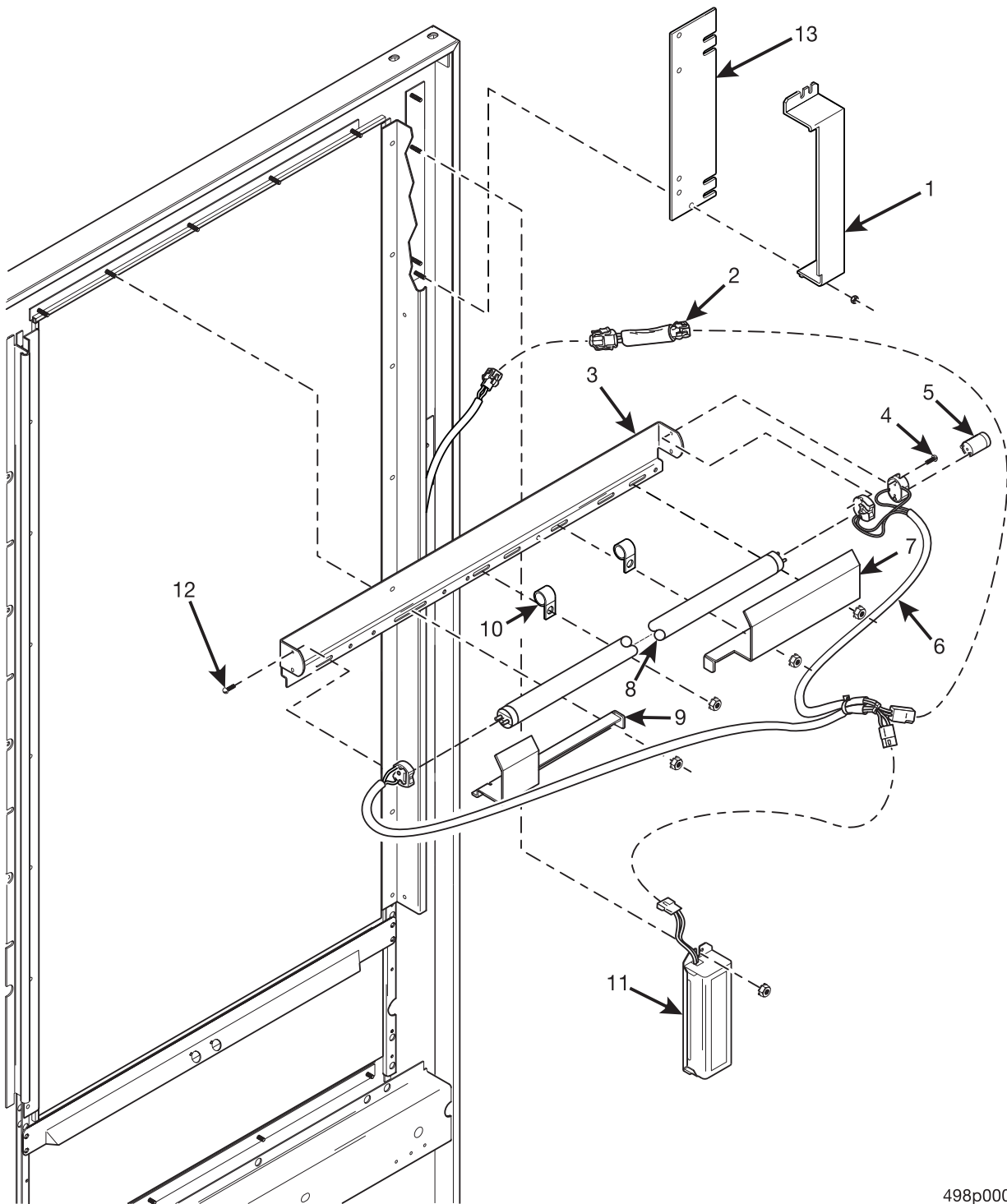
Figure 25. Upper Door Light Assembly - 115 V.



# Expanded Refreshment Center Parts Manual

TABLE 25. UPPER DOOR LIGHT ASSEMBLY - 115 V.

INDEX	PART NUMBER	DESCRIPTION	QTY.
1	1702004	LIGHT ASSEMBLY - UPPER - DOOR (U.S., MEXICO, BRAZIL 120V)	1
2	2302218	STARTER - FLUORESCENT LIGHT	1
3	1451124	SUPPRESSION NETWORK ASSEMBLY	1
4	4979000	FLAT CABLE ASSEMBLY	1
5	6152118	BALLAST ASSEMBLY - CABINET LIGHT	1
6	1172115	FLUORESCENT LAMP - 25 WAT - 28" LONG	1



498p0002

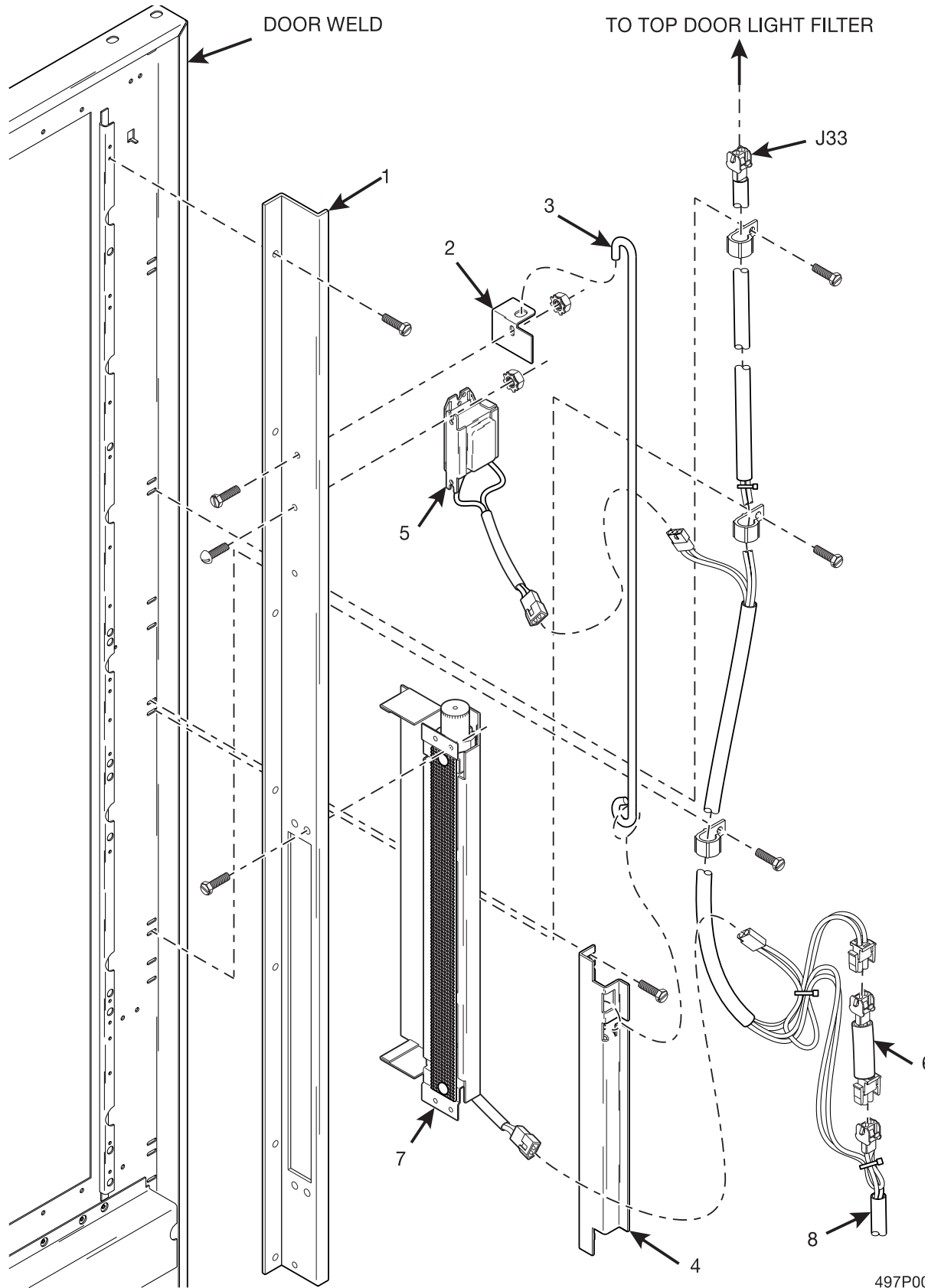
Figure 26. Upper Door Light Assembly - 230 V



## Expanded Refreshment Center Parts Manual

TABLE 26. UPPER DOOR LIGHT ASSEMBLY - 230 V

INDEX	PART NUMBER	DESCRIPTION	QTY.
1	1572047	COVER - BALLAST - EUROPE	1
2	6332010	SUPPRESSION ASSEMBLY - 230 V.	1
3	1582025	BRACKET - LIGHT - COMMON - 20 WATT	1
4	3107171	SCREW - #4-36 X 5/8 RHS	2
5	2222095	FLUORESCENT LAMP STARTER	1
6	1709015	HARNESS - FLUORESCENT LIGHT	1
7	1572045	COVER - LIGHT SOCKET - LEFT (SWEDEN, U.K., FRANCE, GER-MANY)	1
8	1122138	FLUORESCENT LAMP	1
9	1572044	COVER - LIGHT SOCKET - RIGHT ((SWEDEN, U.K., FRANCE, GER-MANY)	1
10	1452139	RETAINER - HARNESS	2
11	1572016	BALLAST ASSEMBLY - 20 W - 230 V	1
12	1452076	SCREW - #4-36 X .432 RHS	2
13	1572046	PLATE BALLAST - INTERNATIONAL	1



497P0C

Figure 27. Glass Retainer With Side Light - Food Option



# Expanded Refreshment Center Parts Manual

TABLE 27. GLASS RETAINER WITH SIDE LIGHT - FOOD OPTION

INDEX	PART NUMBER	DESCRIPTION	QTY.
1	4972107	RETAINER - GLASS - WITH SIDE LIGHT ASSEMBLY	1
2	1572028	RETAINER - ROD SUPPORT - COMMON	OPT.
3	1479140	ROD - SUPPORT - G & M	OPT.
4	4972049	BRACKET - GUM & MINT PROP - MILLENNIA (ATTACHED TO DOOR WITH TRIM ATTACHING HARDWARE)	OPT.
5	4401016	BALLAST ASSEMBLY	1
6	1451124	SUPPRESSION NETWORK ASSEMBLY	1
7	1572023	FLUORESCENT LIGHT SIDE ASSEMBLY WITH COVER (SEE FIGURE 28 FOR DETAILS)	1
8	4979009	HARNESS - SIDE PANEL AND DOOR FLUORESCENT LIGHT	1

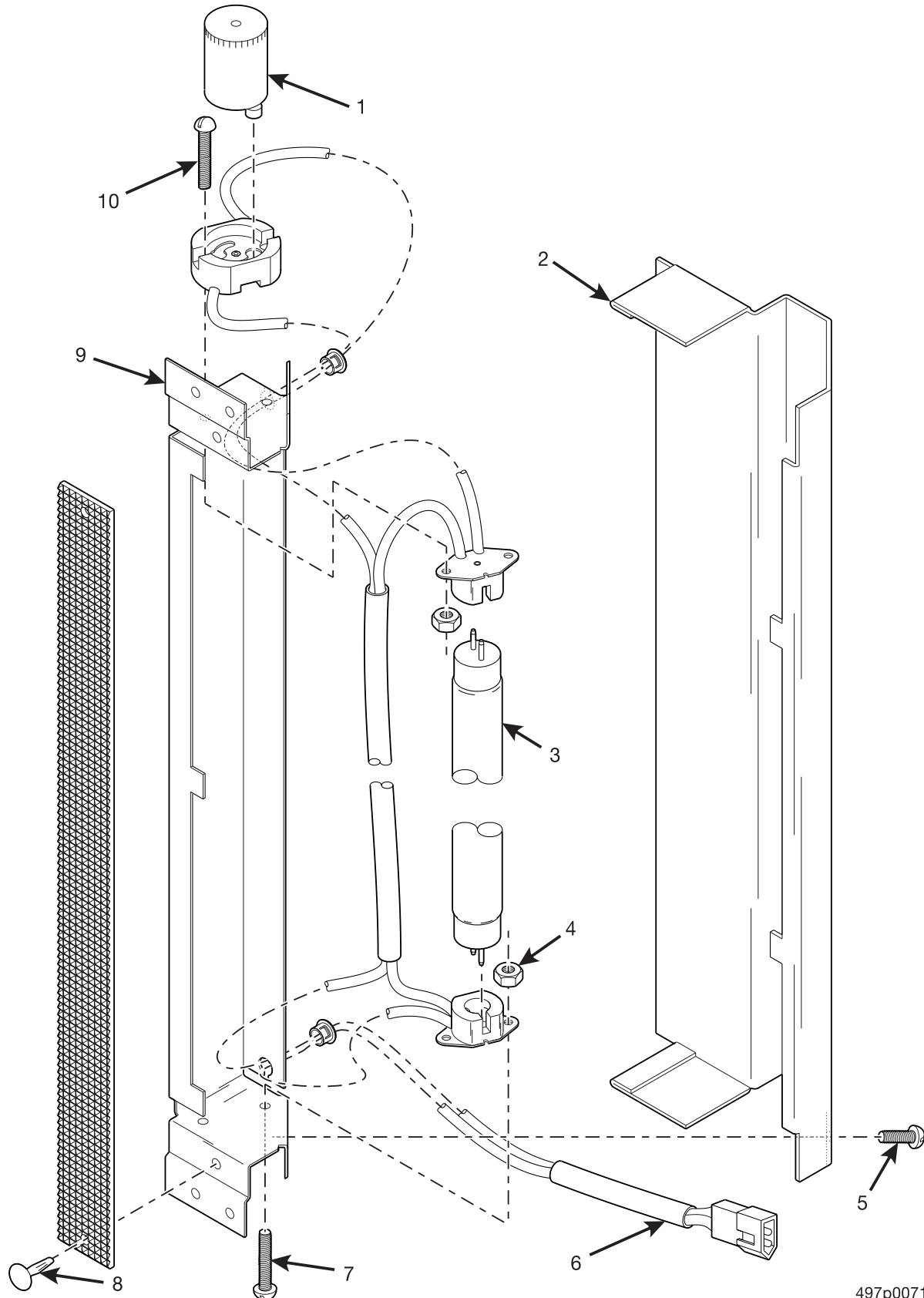


Figure 28. Fluorescent Light Side Assembly With Cover

497p0071

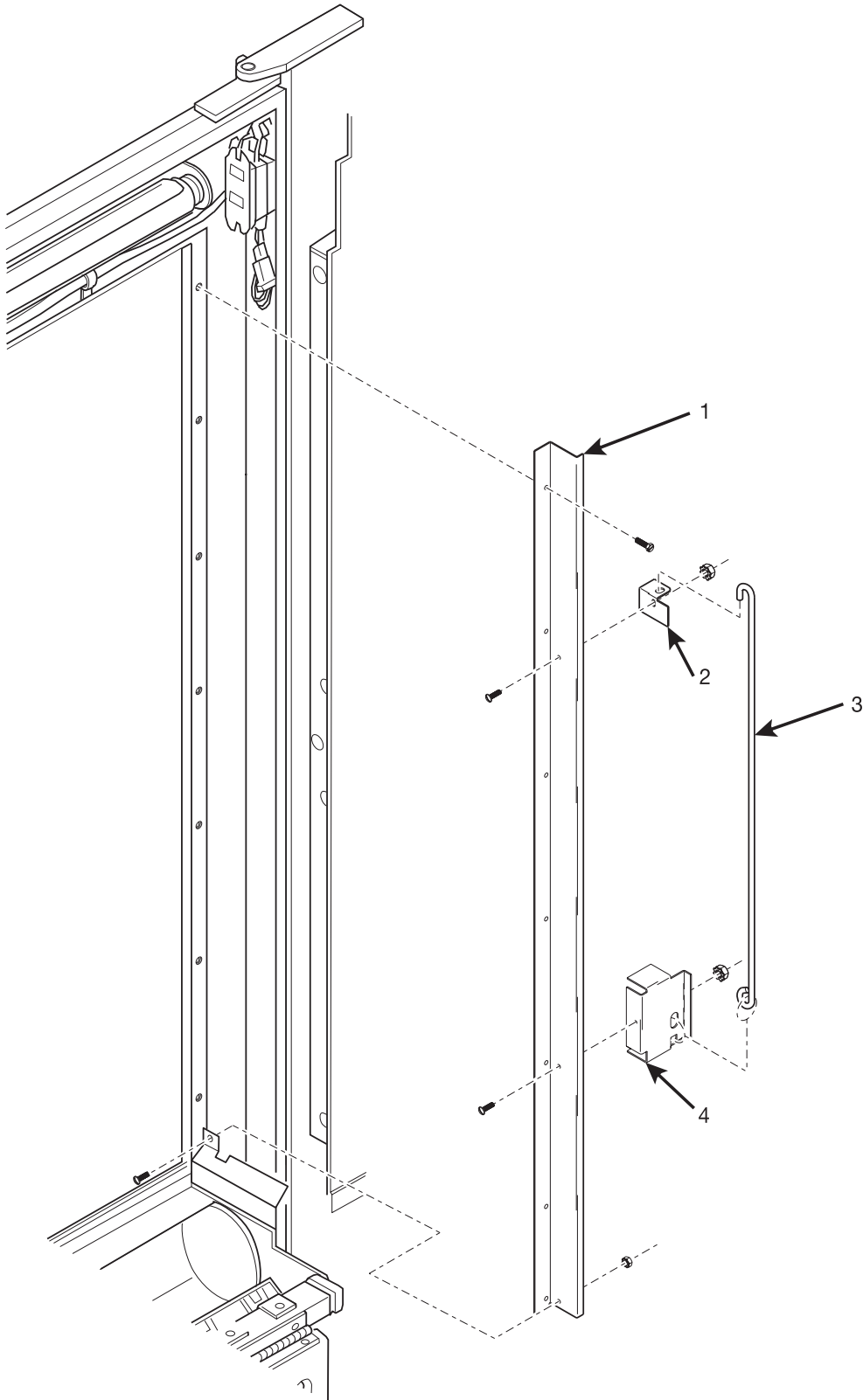




# Expanded Refreshment Center Parts Manual

TABLE 28. FLUORESCENT LIGHT SIDE ASSEMBLY WITH COVER

INDEX	PART NUMBER	DESCRIPTION	QTY.
1	1212148	FLUORESCENT LAMP STARTER	1
2	4852049	COVER - LIGHT	1
3	2146059	LAMP - FLUORESCENT - 8 WATT	1
4	2222227	NUT #4-40 SELF-LOCKING	2
5	9900019	SCREW #8-32 X 3/8 RHS	1
6	4849008	HARNESS - FLUORESCENT LIGHT - FOOD MODULE	1
7	6106341	SCREW #4-40 X 3/8 RHS	1
8	4042556	CANOE CLIP	1
9	4842015	HOUSING - LIGHT - COMMON	1
10	1212139	4-40 X 1/2	1



497p0073

Figure 29. Glass Retainer - Can Option



# Expanded Refreshment Center Parts Manual

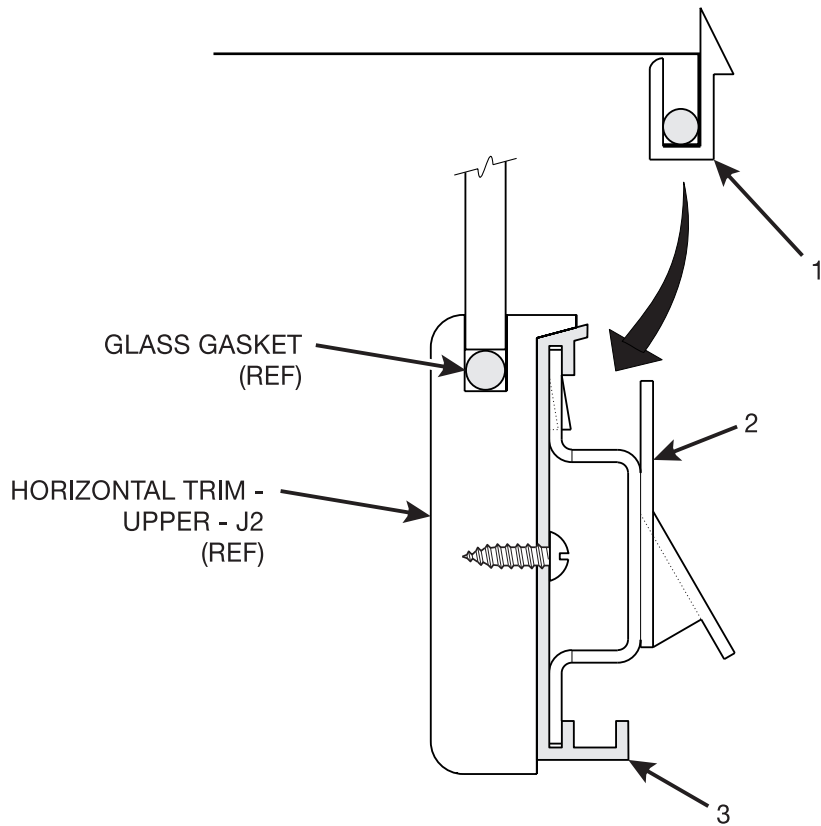
TABLE 29. GLASS RETAINER - CAN OPTION

INDEX	PART NUMBER	DESCRIPTION	QTY.
1	1572020	RETAINER - GLASS - LG. SNACK - N.V. BLACK	1
2	1572028	RETAINER - ROD SUPPORT - COMMON	OPT.
3	1479140	ROD - SUPPORT G. & M.	OPT.
4	1572027	SUPPORT - PROP ROD - COMMON	OPT.



TABLE 30. LOWER GLASS SUPPORT PANEL ASSEMBLY

INDEX	PART NUMBER	DESCRIPTION	QTY.
1	4972115	CHANNEL AND DEFLECTOR ASSEMBLY	1
2	4972141	PANEL ASSEMBLY - GLASS - LOWER	1
3	4972179	TRIM PANEL - WITH HOLES & PAINTED	1
4	1972201	HORIZONTAL TRIM - UPPER - 40 INCH - J2	REF



497P0072

Figure 30. Lower Glass Support Panel Assembly



# Expanded Refreshment Center Parts Manual

TABLE 31. DOOR GLASS AND GLASS RETAINING COMPONENTS

INDEX	PART NUMBER	DESCRIPTION	QTY.
1	4972101	GLASS - CURVED FRONT	1
2	1572020	GLASS RETAINER (CAN)	REF
	4972107	GLASS RETAINER WITH SIDE LIGHT	
3	1572243	GLASS RETAINER SPACER	2
4	1472048	GLASS RETAINING PLATE	REF

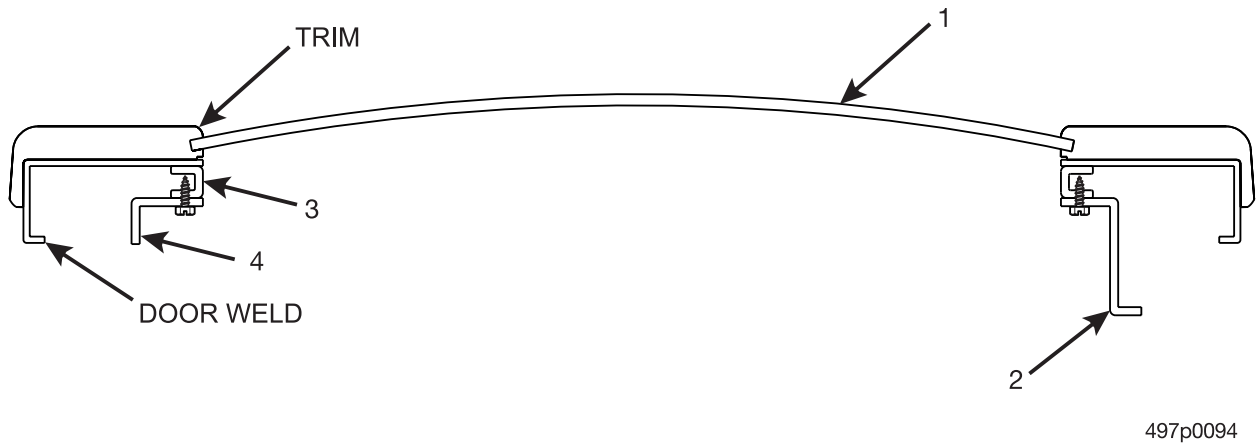


Figure 31. Door Glass and Glass Retaining Components



TABLE 32. UPPER DOOR LIGHT MOUNTING

INDEX	PART NUMBER	DESCRIPTION	QTY.
1	4972106	SPACER - LIGHT BRACKET	1

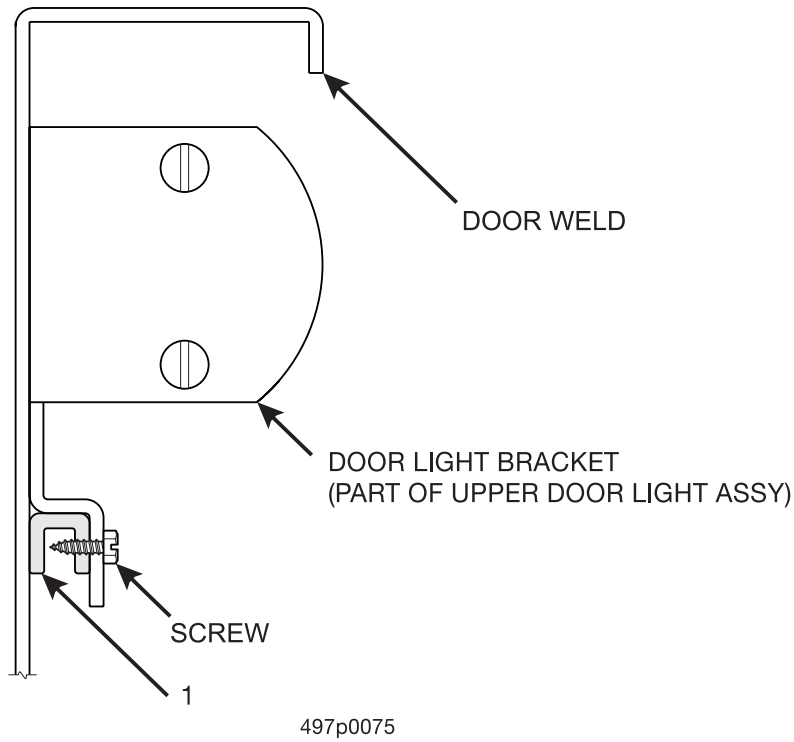


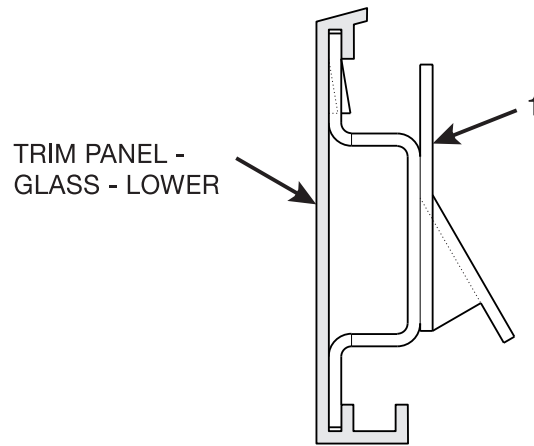
Figure 32. Upper Door Light Mounting



# Expanded Refreshment Center Parts Manual

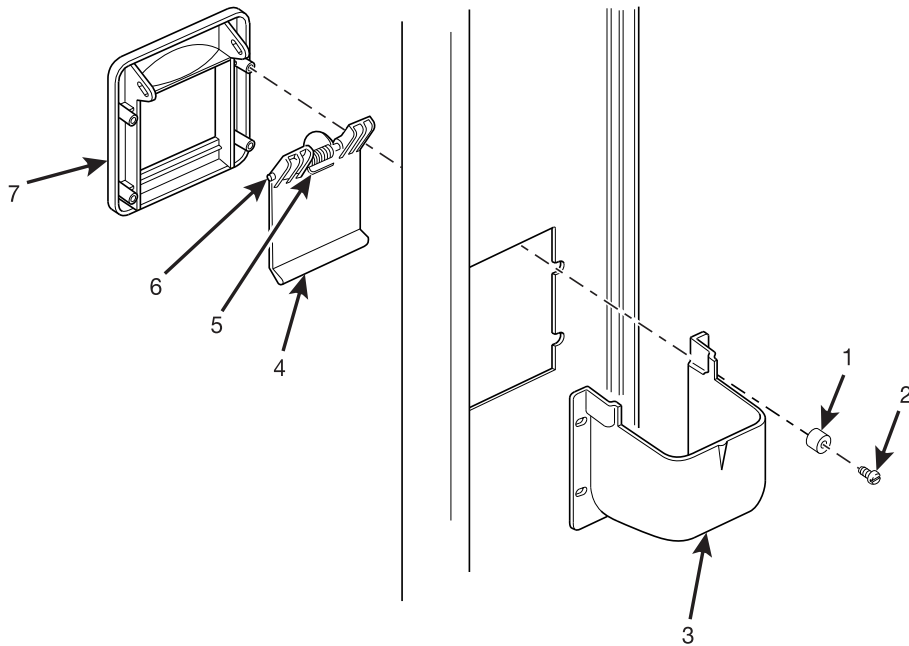
TABLE 33. LOWER GLASS SUPPORT PANEL

INDEX	PART NUMBER	DESCRIPTION	QTY.
1	4972141	PANEL ASSEMBLY - GLASS - LOWER	1

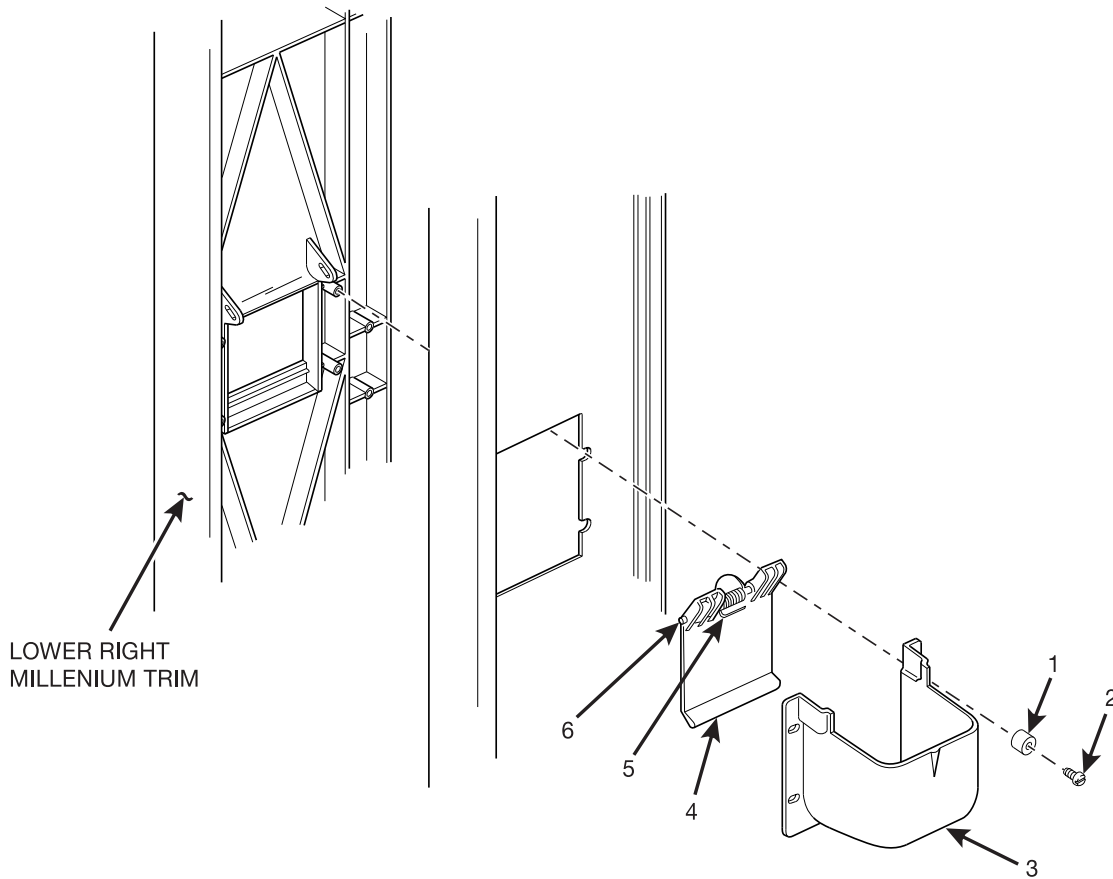


497p0069

Figure 33. Lower Glass Support Panel



COIN RECEPTACLE ASSEMBLY - STANDARD



COIN RECEPTACLE ASSEMBLY - MILLENNIUM

497p0090

Figure 34. Coin Receptacle Assemblies

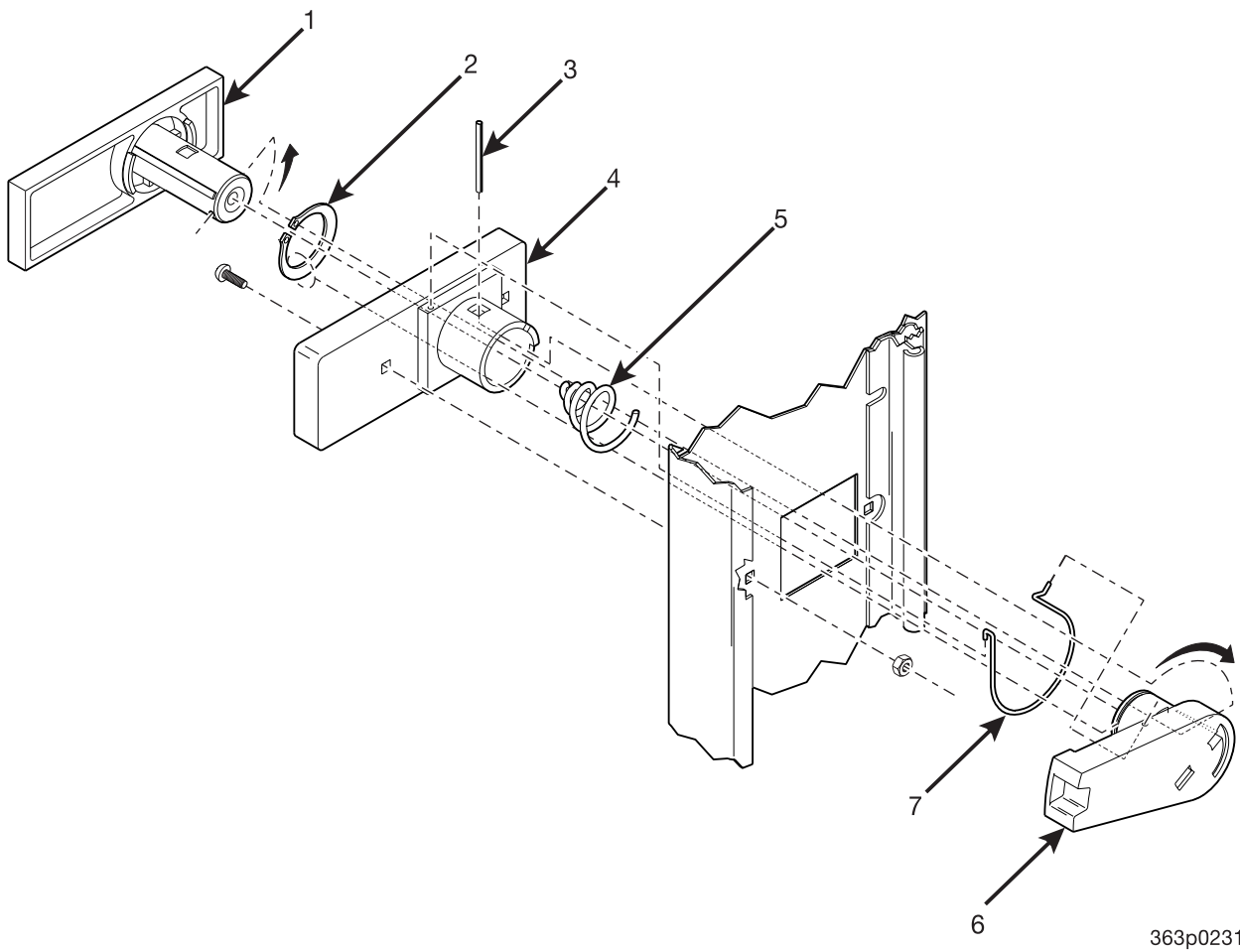




# Expanded Refreshment Center Parts Manual

TABLE 34. COIN RECEPTACLE ASSEMBLIES

INDEX	PART NUMBER	DESCRIPTION	QTY.
1	2302093	SPACER - CUP	4
2	4042512	SCREW - #8-32 X 1/2 - PHS - S/T	4
3	1572010	CUP - COIN RETURN	1
4	4245082	GATE - COIN RETURN	1
5	4245083	SPRING - COIN RETURN DOOR	1
6	4245084	SHAFT - DOOR - COIN RETURN	1
7	1572011	TRIM - COIN CUP - BLACK (STANDARD DOOR ONLY)	1



363p0231

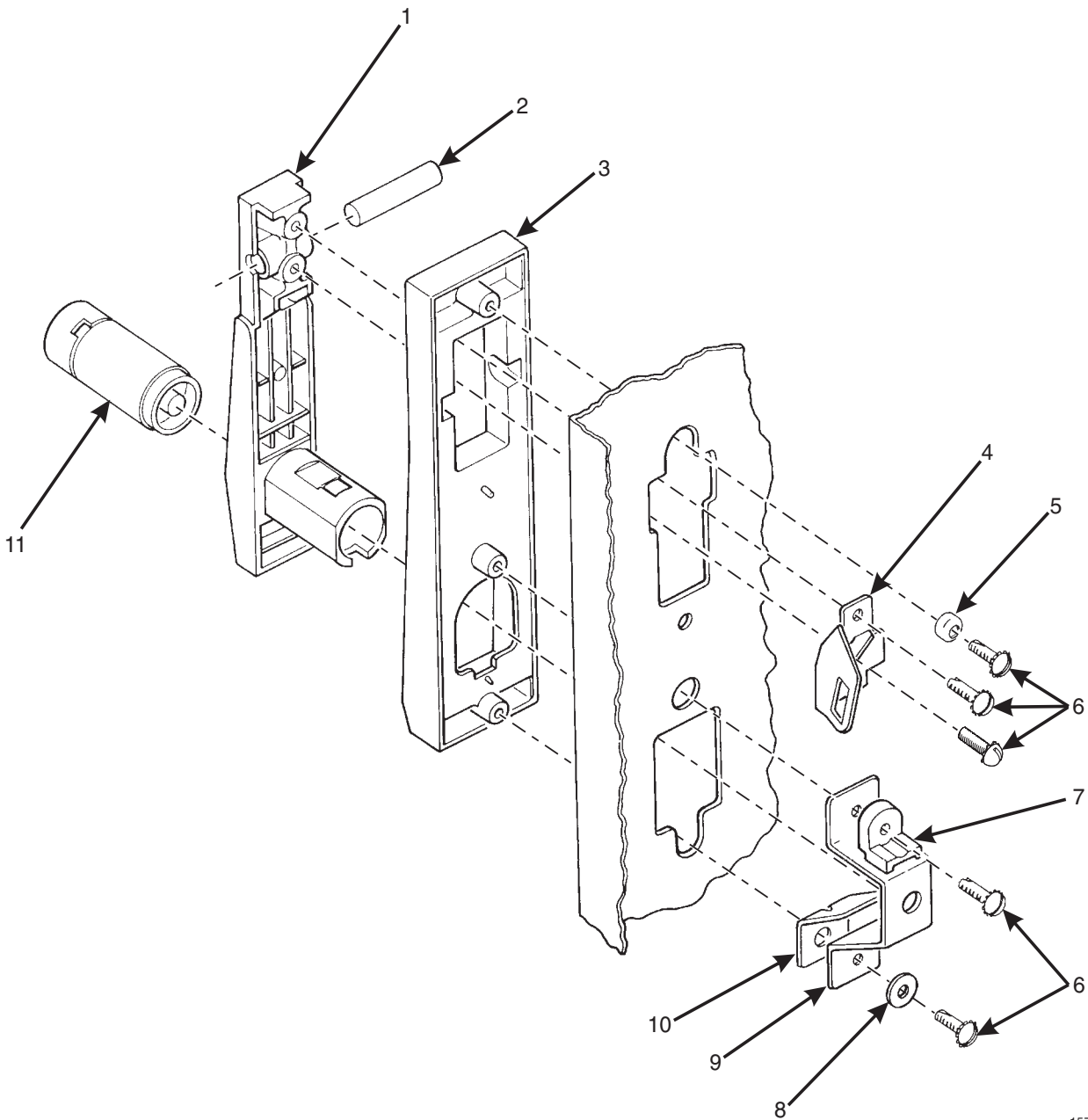
Figure 35. Millennium Door Lock and Handle Assembly



# Expanded Refreshment Center Parts Manual

TABLE 35. MILLENNIA DOOR LOCK AND HANDLE ASSEMBLY

INDEX	PART NUMBER	DESCRIPTION	QTY.
1	1572397	LEVER - HANDLE	1
2	1572199	RETAINING RING - LOCK ACTUATOR	1
3	6104218	ROLL PIN 1/8" X 1"	1
4	1572396	BASE - LOCK HANDLE	1
5	1572203	SPRING - LOCK	1
6	1572398	ACTUATOR - LOCK	1
7	1572204	SPRING - LIFT - ACTUATOR	1



157P0243

Figure 36. Door Lock and Handle Assembly



# Expanded Refreshment Center Parts Manual

TABLE 36. DOOR LOCK AND HANDLE ASSEMBLY

INDEX	PART NUMBER	DESCRIPTION	QTY.
1	1172190	LEVER - LOCK	1
2	1302291	PIVOT - LEVER LOCK	1
3	1172191	BASE - LEVER LOCK	1
4	2272052	ACTUATOR ASSEMBLY - LOCK BAR	1
5	1302289	CUP SPACER	1
6	1217161	SCREW, #10-32 X 1/2 RHS W/LW	5
7	1302326	SHIELD - LATCH	1
8	9900121	WASHER - STEEL - 7/16 X .203 X .032	1
9	1302324	CATCH - DOOR LATCH	1
10	1302290	LATCH - LOCK LOWER	1
11	9992400	CYLINDER - LOCK	1
	3112163	VAN LOCK	OPT.
-	3112164	KEY (NOT SHOWN) VAN LOCK APPLICATION (NOT SHOWN)	1 OPT.

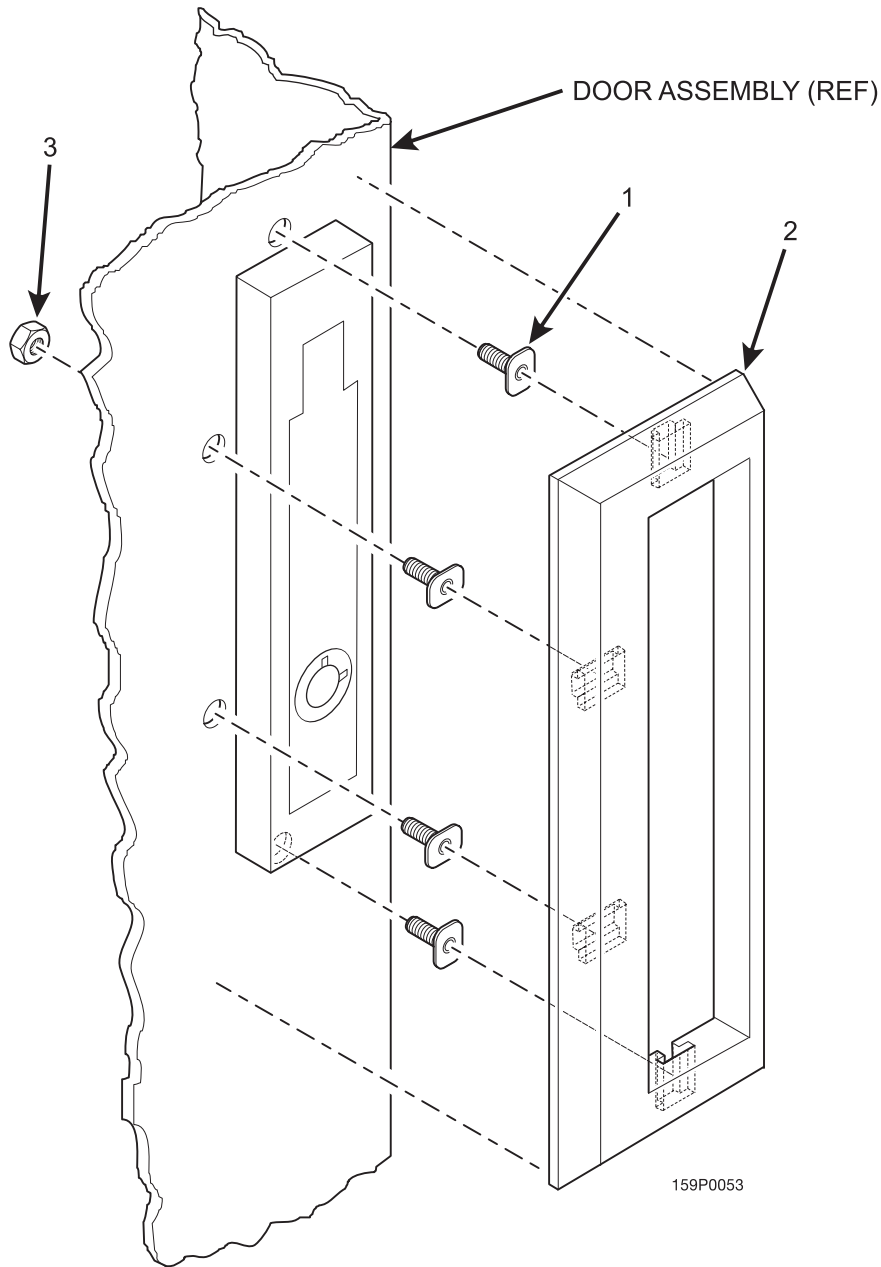


Figure 37. Door Lock Guard Accessory



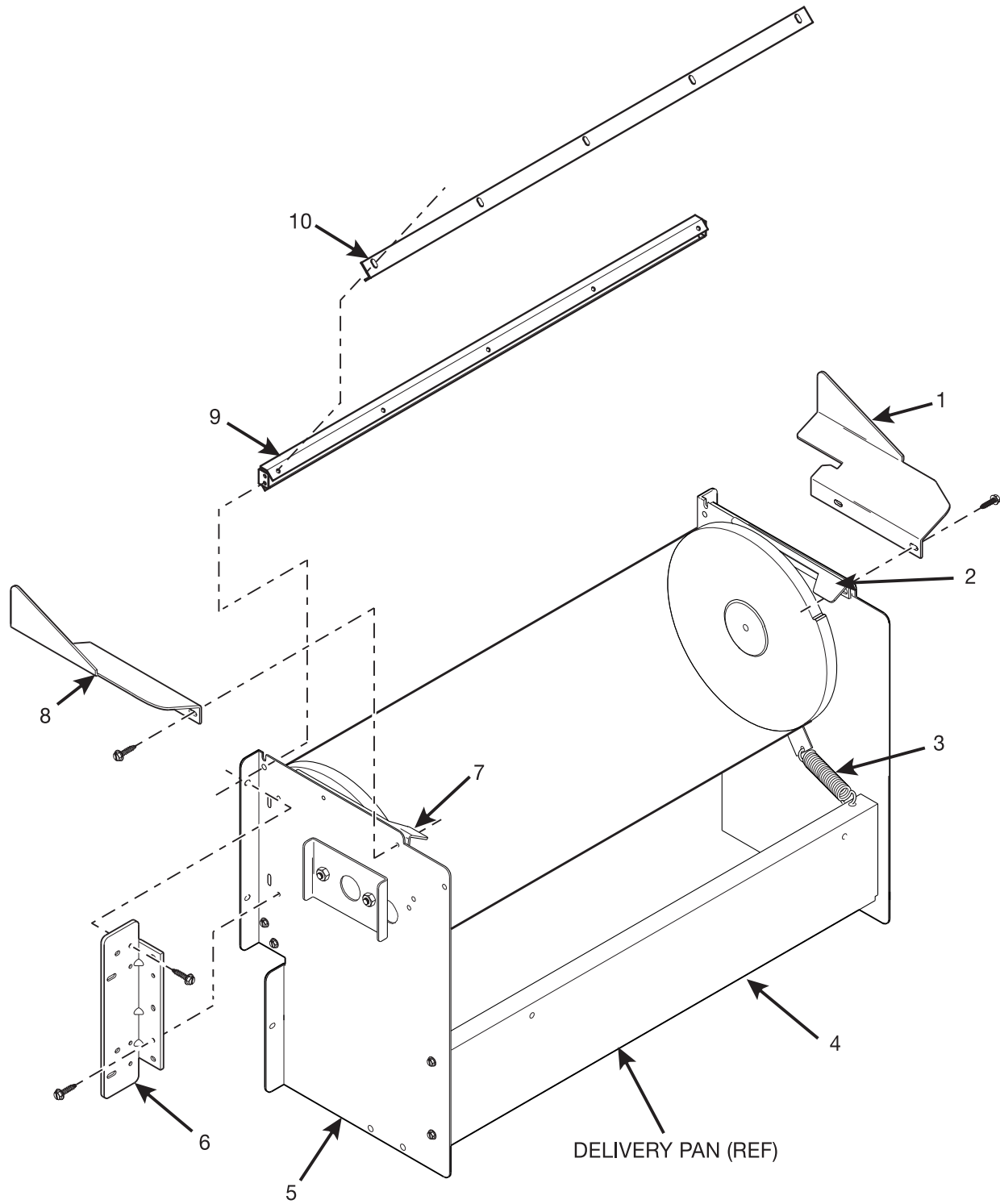
# Expanded Refreshment Center Parts Manual

TABLE 37. DOOR LOCK GUARD ACCESSORY

INDEX	PART NUMBER	DESCRIPTION	QTY.
-	1572188	DOOR LOCK GUARD KIT (INCLUDES ALL THE FOLLOWING ITEMS)	-
1	2222031	T-BOLT - TRIM	4
2	1572186	GUARD - LOCK	1
3	9900081	NUT - #8-32 - KEPS - ZINC PLATE	4
-	1572187	TEMPLATE AND INSTRUCTIONS (NOT SHOWN)	1

**NOTE**

*This accessory requires drilling holes for T-bolts.*



497p0085

Figure 38. Rotary Delivery Pan Assembly (Part 1 of 3)

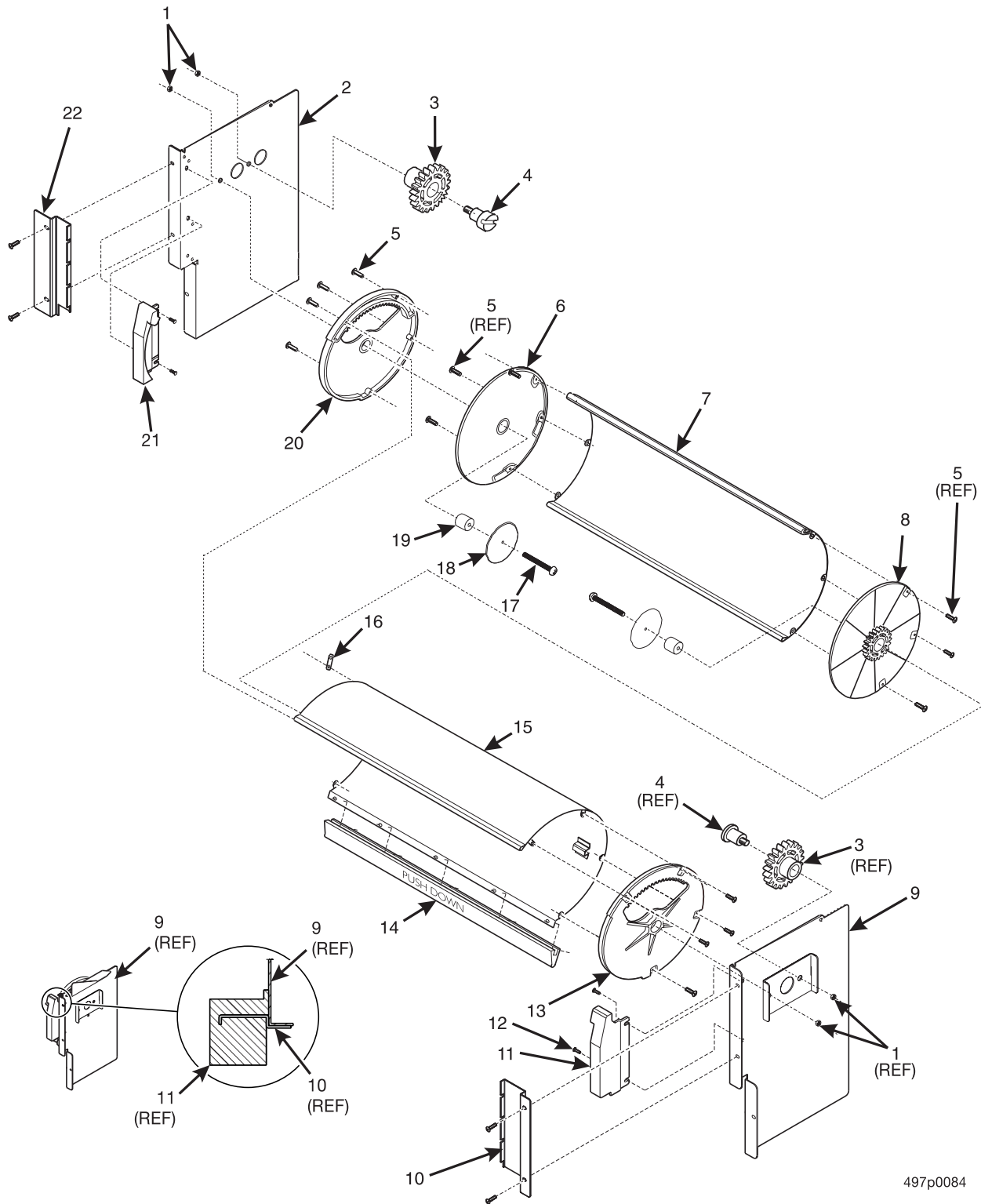




# Expanded Refreshment Center Parts Manual

TABLE 38. ROTARY DELIVERY PAN ASSEMBLY (PART 1 OF 3)

INDEX	PART NUMBER	DESCRIPTION	QTY.
1	4972147	DEFLECTOR - PRODUCT - OUTSIDE - L.H.	1
-	1451097	SCREW #8-32 X .31 - HX HD - T/F - BLK	2
2	1472424	DEFLECTOR - PRODUCT - L.H.	1
3	2224042	SPRING	1
4	4972025	FILLER - LOWER REAR - LONG	1
-	4721035	SCREW - #8-18 X .38 - LGM	4
5	4972010	ROTARY DELIVERY PAN ASSEMBLY (SEE FIGURE 39 FOR DETAILS)	1
6	4972144	BRACKET - END PLATE - COMMON	2
7	1472425	DEFLECTOR - PRODUCT - R.H.	1
8	4972146	DEFLECTOR - PRODUCT - OUTSIDE - R.H.	1
9	1472421	GUARD - PILFERAGE - LONG	1
10	1472420	CHANNEL - PILFERAGE GUARD - LONG	1
-	1472435	PAD - DELIVERY PAN	1



497p0084

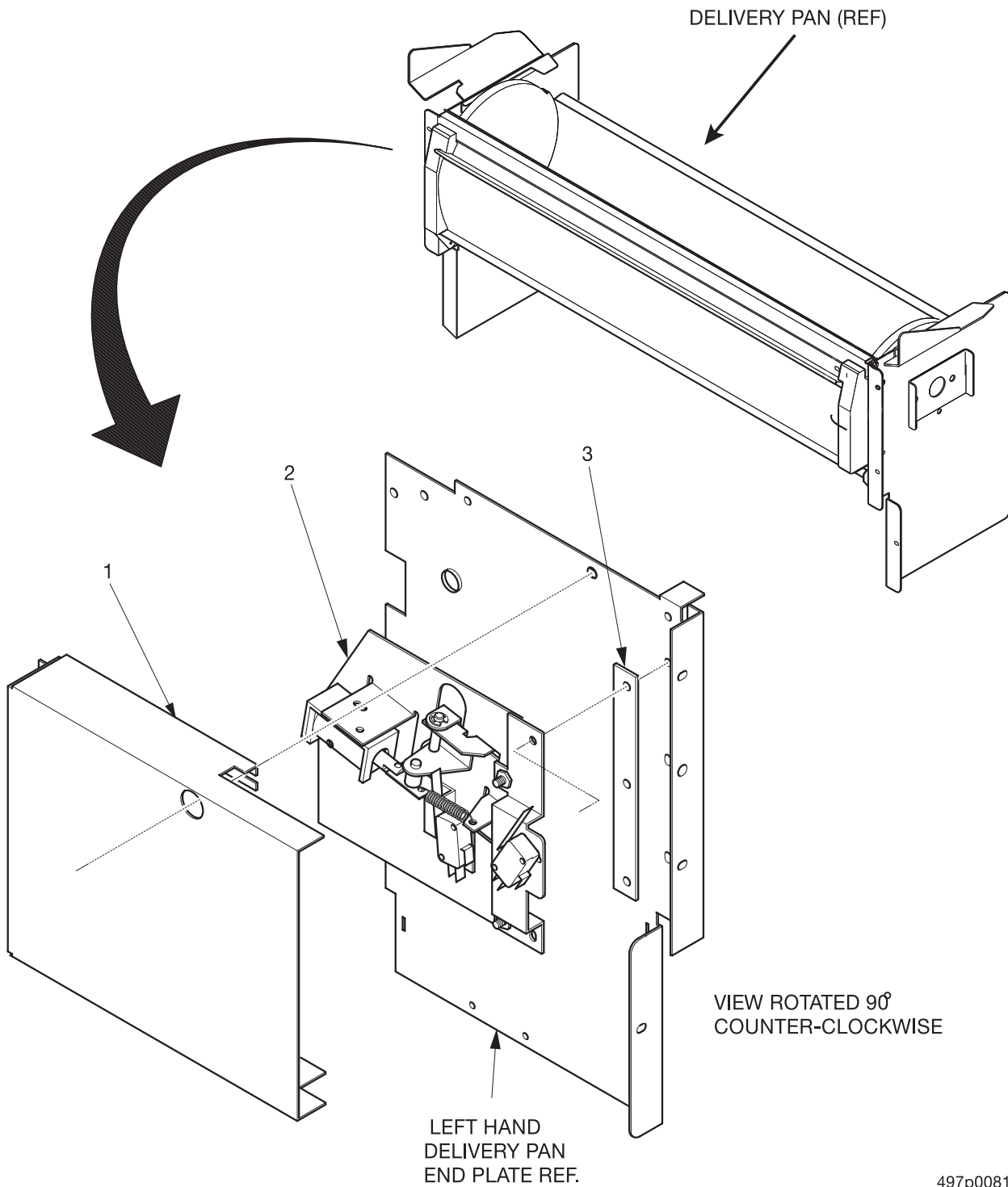
Figure 39. Rotary Delivery Pan Assembly (Part 2 of 3)



# Expanded Refreshment Center Parts Manual

TABLE 39. ROTARY DELIVERY PAN ASSEMBLY (PART 2 OF 3)

INDEX	PART NUMBER	DESCRIPTION	QTY.
-	1572182	END DISC AND DELIVERY DOOR ASSEMBLY - LONG	1
-	1472406	END DISC AND PILFERAGE DOOR ASSEMBLY - LONG	1
1	4041241	NUT - 1/4-20 SELF-LOCKING	2
2	1472468	END PLATE AND SUPPORT ASSEMBLY - L.H.	1
3	1472411	GEAR - PINION	2
4	1472412	STUD - PINION GEAR	2
5	1472454	SCREW - #6-20 X .31 PHIL TRUSS HEAD	14
6	1472452	END DISC - PILFERAGE DOOR L.H.	1
7	1472441	PAD AND PILFERAGE DOOR ASSEMBLY - L.H.	1
8	1472453	END DISC - PILFERAGE DOOR - R.H.	1
9	1472472	END PLATE AND SUPPORT ASSEMBLY - R.H.	1
10	4972150	PLATE - FILLER - R.H.	1
11	1472417	FILLER - RIGHT	1
12	9900020	SCREW - #8-32 X 1/2 RHS	4
13	1472448	END DISC - DELIVERY DOOR - R.H.	1
14	1472405	HANDLE - DELIVERY DOOR - LONG - STAMPED	1
-	1472431	RIVET - POP - .094 DIA X .212 BLACK (ATTACHING PART FOR INDEX NUMBER 14)	5
15	1572184	DELIVERY DOOR ASSEMBLY	1
16	1472460	ARM - SPRING	1
17	1472457	SCREW - #1/4-20 X 1.75 HEX - BUTTON HD	2
18	1472455	WASHER - SUPPORT	2
19	1472483	BUSHING - PIVOT	2
20	1472447	END DISC - DELIVERY DOOR - L.H.	1
21	1472414	FILLER - LEFT	1
22	4972149	PLATE - FILLER - LEFT	1



497p0081

Figure 40. Rotary Delivery Pan Assembly (Part 3 of 3) - Food Option Only



# Expanded Refreshment Center Parts Manual

TABLE 40. ROTARY DELIVERY PAN ASSEMBLY (PART 3 OF 3) - FOOD OPTION ONLY

INDEX	PART NUMBER	DESCRIPTION	QTY.
1	4402027	COVER - LATCH MECHANISM	1
2	-	DELIVERY PAN SOLENOID LOCK ASSEMBLY (SEE FIGURE 44 FOR DETAILS)	OPT.
3	1572265	SPACER - SOLENOID LOCK	1

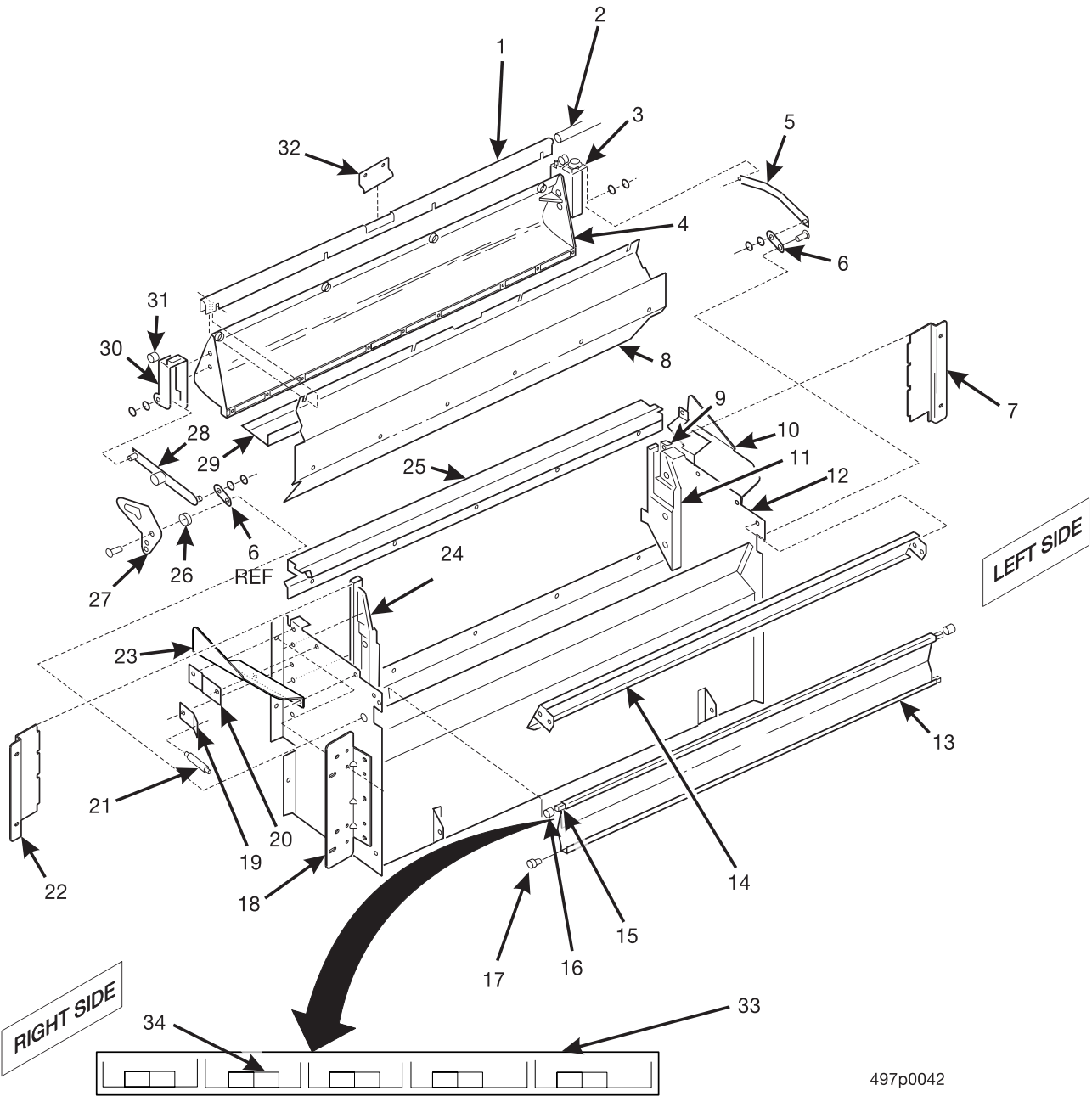


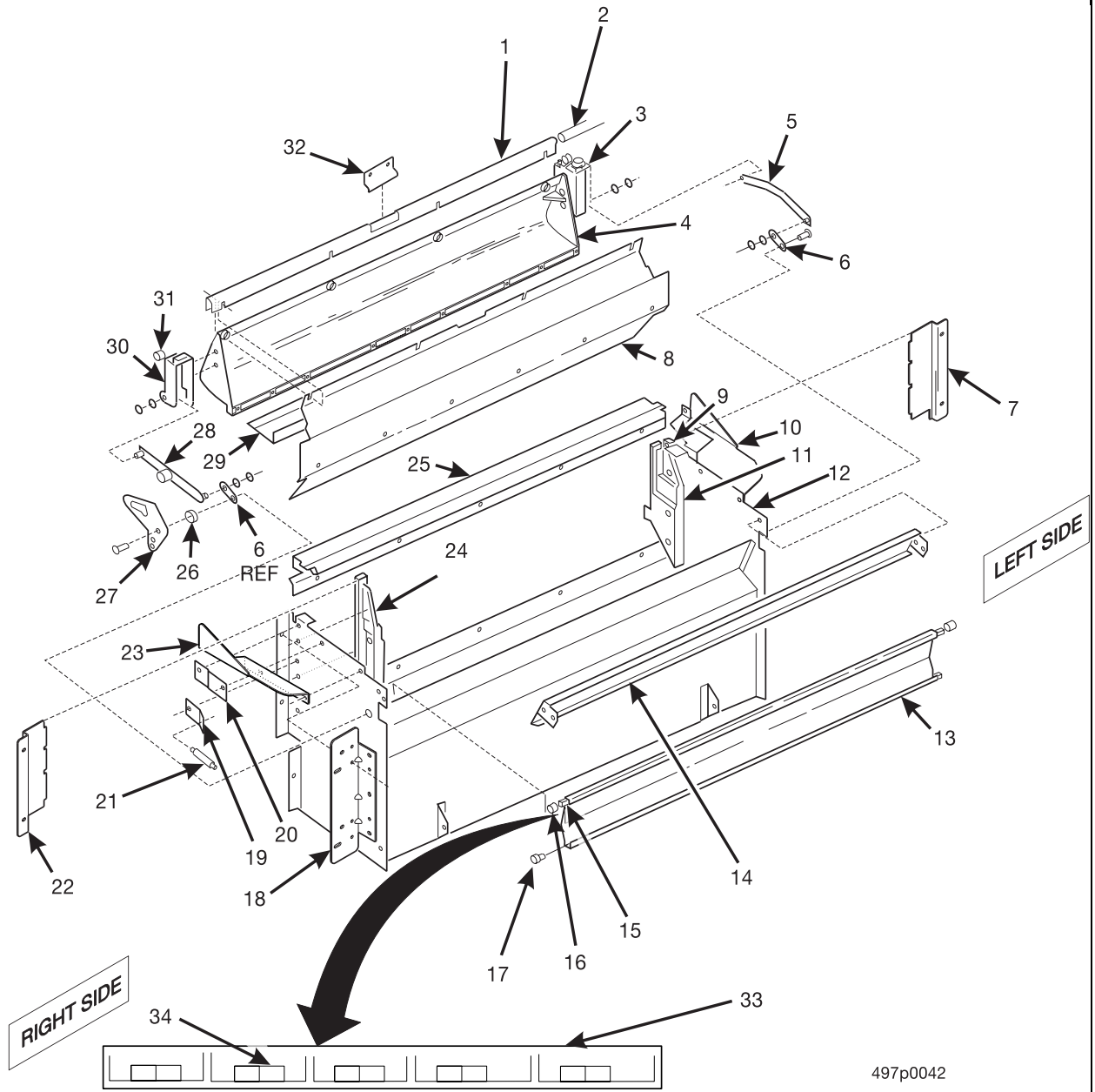
Figure 41. Flap Delivery Pan Assembly (Part 1 of 3)



# Expanded Refreshment Center Parts Manual

TABLE 41. FLAP DELIVERY PAN ASSEMBLY (PART 1 OF 3)

INDEX	PART NUMBER	DESCRIPTION	QTY.
-	4972009	FLAP DELIVERY PAN ASSEMBLY	1
1	1412028	CHANNEL - DOOR	1
-	1170206	SCREW #8-32 X 3/8 THS BLACK	4
-	1402052	NUT CARRIAGE #8-32	4
2	1472228	SHAFT - DOOR PIVOT	1
3	1472272	ACTUATOR - DELIVERY DOOR - L.H.	1
-	1170206	SCREW - #8-32 X 3/8 THS BLACK	2
-	1412046	8-32 NUT MF 23TW832 BLOX	2
4	1472137	DOOR - DELIVERY - GRAY	1
5	4402017	ACTUATOR ASSEMBLY	1
-	9900146	RETAINING RING E TYPE .312	2
-	9900171	WASHER BRASS 9/16 X.315 X.040	2
6	1472145	ACTUATOR - REAR PIVOT	2
-	1170206	SCREW - #8-32X3/8 THS BLACK	1
-	9900202	SCREW - #8-32 X 5/8 PHS W/LKW	1
-	2204093	WASHER - SCAVENGER BAR	1
7	4972143	FILLER - L.H.	1
8	1472108	LINER - DOOR - PILFERAGE	1
-	7207019	SCREW - #8-18 X 3/8 PHS TAPPING	6
9	1472069	BRACKET - DOOR PIVOT - L.H.	1
-	1170206	SCREW - #8-32 X 3/8 THS BLACK	1
-	9900081	NUT - #8-32 KEPS ZINC PLATE	1
10	4972147	DEFLECTOR - L.H.	1
-	1170206	SCREW - #8-32 X 3/8 THS BLACK	2
-	9900081	NUT - #8-32 KEPS ZINC PLATE	2
11	1412023	FILLER - LEFT	1
-	1306140	8-32X3/8 CARR BOLT BLK/OX	3
-	9900081	NUT #8-32 KEPS ZINC PLATE	3
12	1472288	WELD ASSY-DELIVERY PAN	1
13	1472138	ASSEMBLY - REAR DELIVERY DOOR	1
14	-	FILLER - DELIVERY PAN (SEE FIGURE 45 FOR DETAILS)	-
-	1451097	SCREW - #8-32 X .31 HEX HD.TF - BLK.	4
15	1472087	WASHER - .38 I.D. X .56 O.D	2



497p0042

Figure 41. Flap Delivery Pan Assembly (Part 1 of 3)

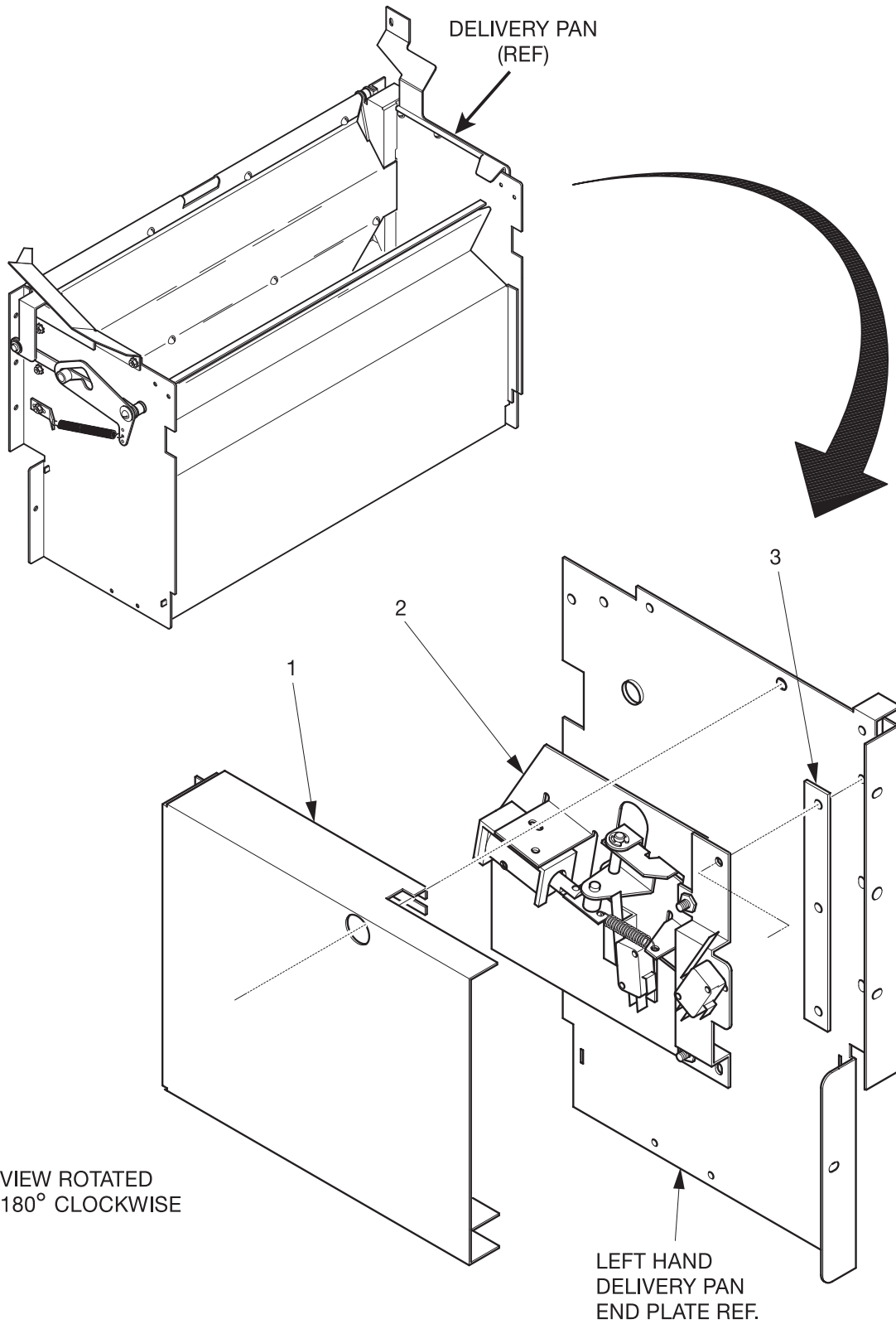




# Expanded Refreshment Center Parts Manual

TABLE 41. FLAP DELIVERY PAN ASSEMBLY (PART 1 OF 3) (CONTINUED)

INDEX	PART NUMBER	DESCRIPTION	QTY.
16	1472083	SPACER	2
17	4042556	CANOE CLIP	2
18	4972144	BRACKET - ENDPLATE - COMMON (SEE FIGURE 43 FOR DETAILS)	2
19	2342110	BRACKET - SPRING	1
20	1472068	BRACKET - DOOR PIVOT-R.H.	1
-	1170206	SCREW - #8-32 X 3/8 THS BLACK	1
-	9900081	NUT - #8-32 KEPS ZINC PLATE	1
21	4246044	SPRING - ELEVATOR GUIDE ARM	1
22	4972142	FILLER - R.H. (SEE FIGURE 43 FOR DETAILS)	1
23	4972146	DEFLECTOR - PRODUCT - R.H.	1
-	1170206	SCREW - #8-32 X 3/8 THS BLACK	2
-	9900081	NUT - #8-32 KEPS ZINC PLATE	2
24	1412022	FILLER - RIGHT - BLACK (SEE FIGURE 43 FOR DETAILS)	1
-	1306140	8-32 X 3/8 CARR BOLT BLK/OX	3
-	9900081	NUT - #8-32 KEPS ZINC PLATE	3
25	1472200	PAN - DELIVERY - FRONT - BLACK	1
-	1306140	8-32 X 3/8 CARR BOLT BLK/OX	5
-	9900081	NUT #8-32 KEPS ZINC PLATE	5
26	2342109	BUSHING - DELIVERY - LINKAGE	1
27	4402016	PLATE - DOOR RETENTION	1
28	1472156	ACTUATOR ASSEMBLY - RIGHT	1
-	9900146	RETAINING RING E TYPE .312	2
-	9900171	WASHER BRASS 9/16 X.315 X.040	2
29	1412047	ANGLE - DELIVERY DOOR	1
30	1472271	ACTUATOR - DELIVERY DOOR - R.H.	1
-	1170206	SCREW - #8-32 X 3/8 THS BLACK	2
-	1412046	8-32 NUT MF 23TW832 BLOX	2
31	1472219	SPACER	2
32	1472142	RETAINER - DOOR PIVOT	1
33	1472088	LABEL - GUM & MINT SELECTIONS	1
34	1472105	PRICE LABELS - GUM & MINT (\$ AND ¢)	1
-	1472435	PAD - DELIVERY PAN (NOT SHOWN)	3



497p0082

Figure 42. Flap Delivery Pan Assembly (Part 2 of 3) - Food Option Only



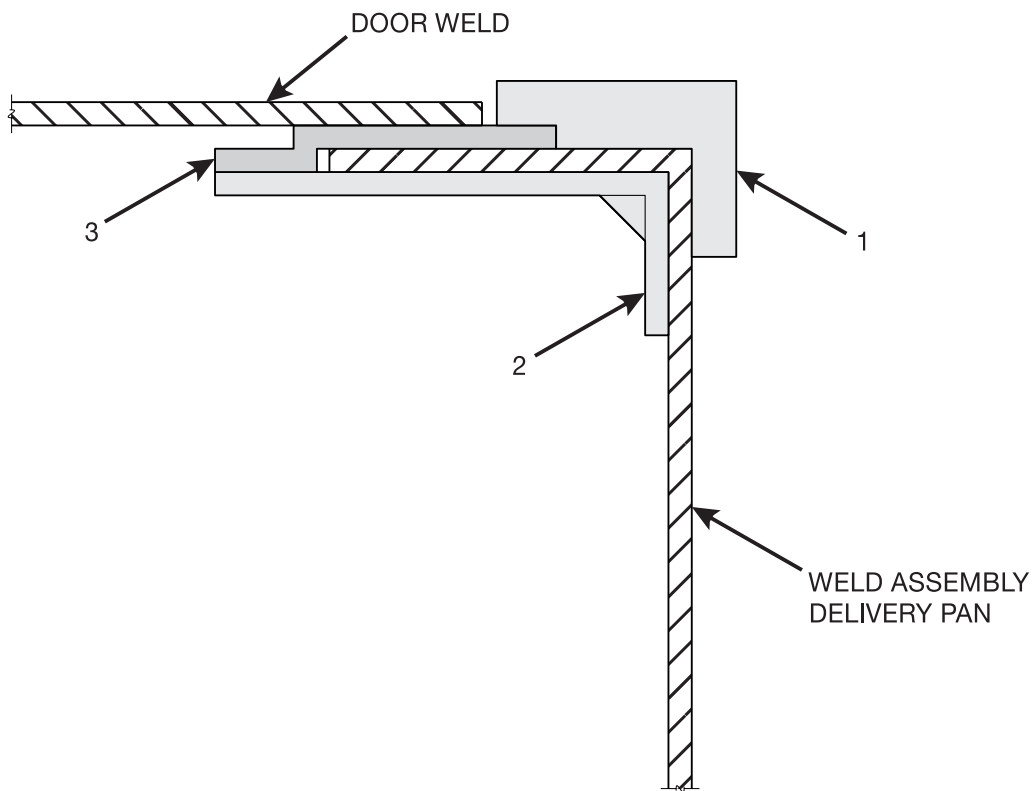
# Expanded Refreshment Center Parts Manual

TABLE 42. FLAP DELIVERY PAN ASSEMBLY (PART 2 OF 3) - FOOD OPTION ONLY

INDEX	PART NUMBER	DESCRIPTION	QTY.
1	402027	COVER - LATCH MECHANISM	1
2	-	DELIVERY PAN SOLENOID LOCK ASSEMBLY (SEE FIGURE 44 FOR DETAILS)	OPT.
3	1572265	SPACER - SOLENOID LOCK	1



RIGHT HAND SIDE IS SHOWN -  
LEFT SIDE IS SIMILAR



497p0043

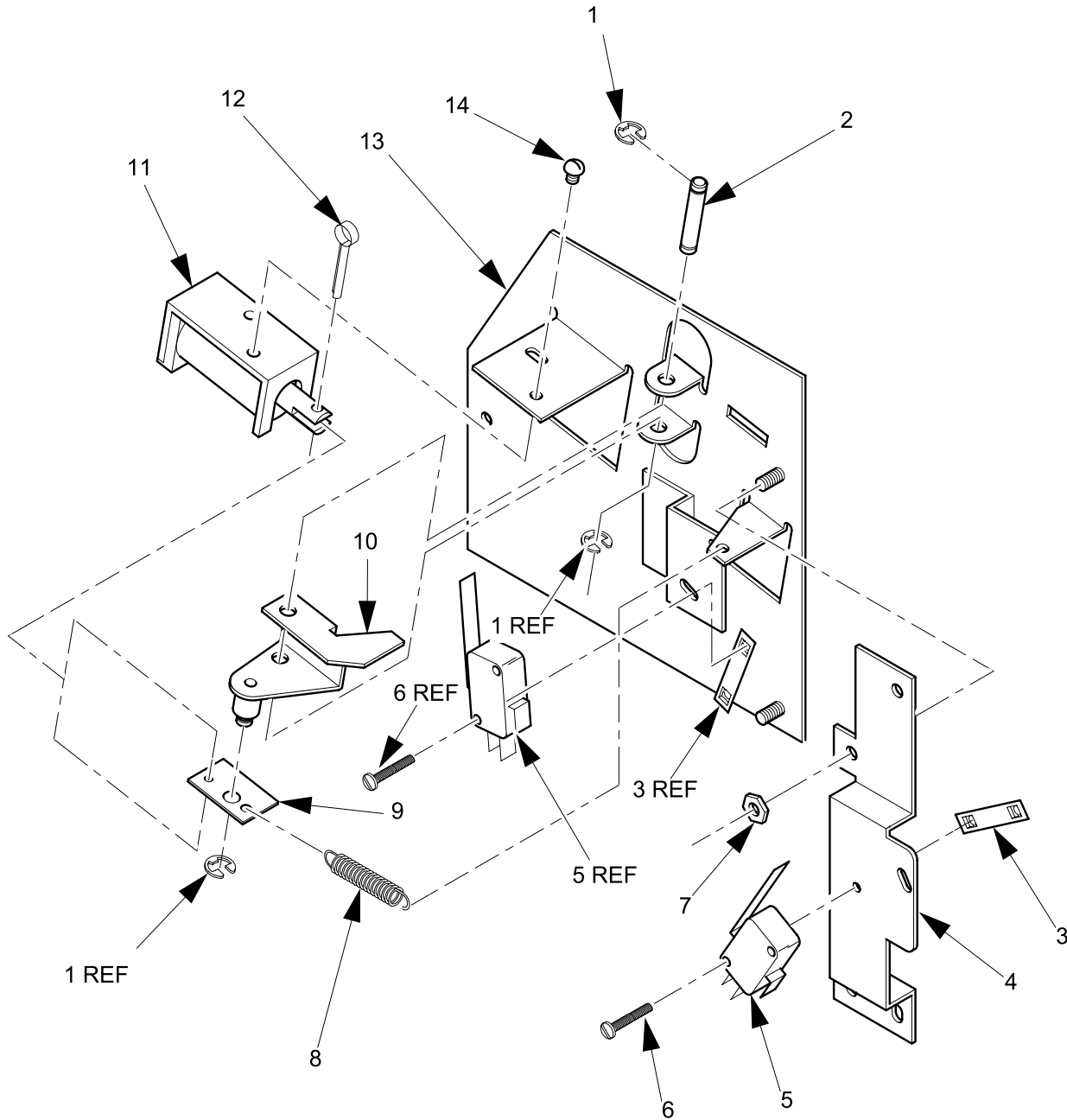
Figure 43. Flap Delivery Pan Assembly (Part 3 of 3) - Food and Can Options



# Expanded Refreshment Center Parts Manual

**TABLE 43. FLAP DELIVERY PAN ASSEMBLY (PART 3 OF 3) - FOOD AND CAN OPTIONS**

INDEX	PART NUMBER	DESCRIPTION	QTY.
1	1412022	FILLER RIGHT	1
2	4972144	BRACKET - ENDPLATE - COMMON	1
3	4972142	FILLER - R.H.	1



467p0008

Figure 44. Delivery Pan Solenoid Lock Assembly - Food Option Only



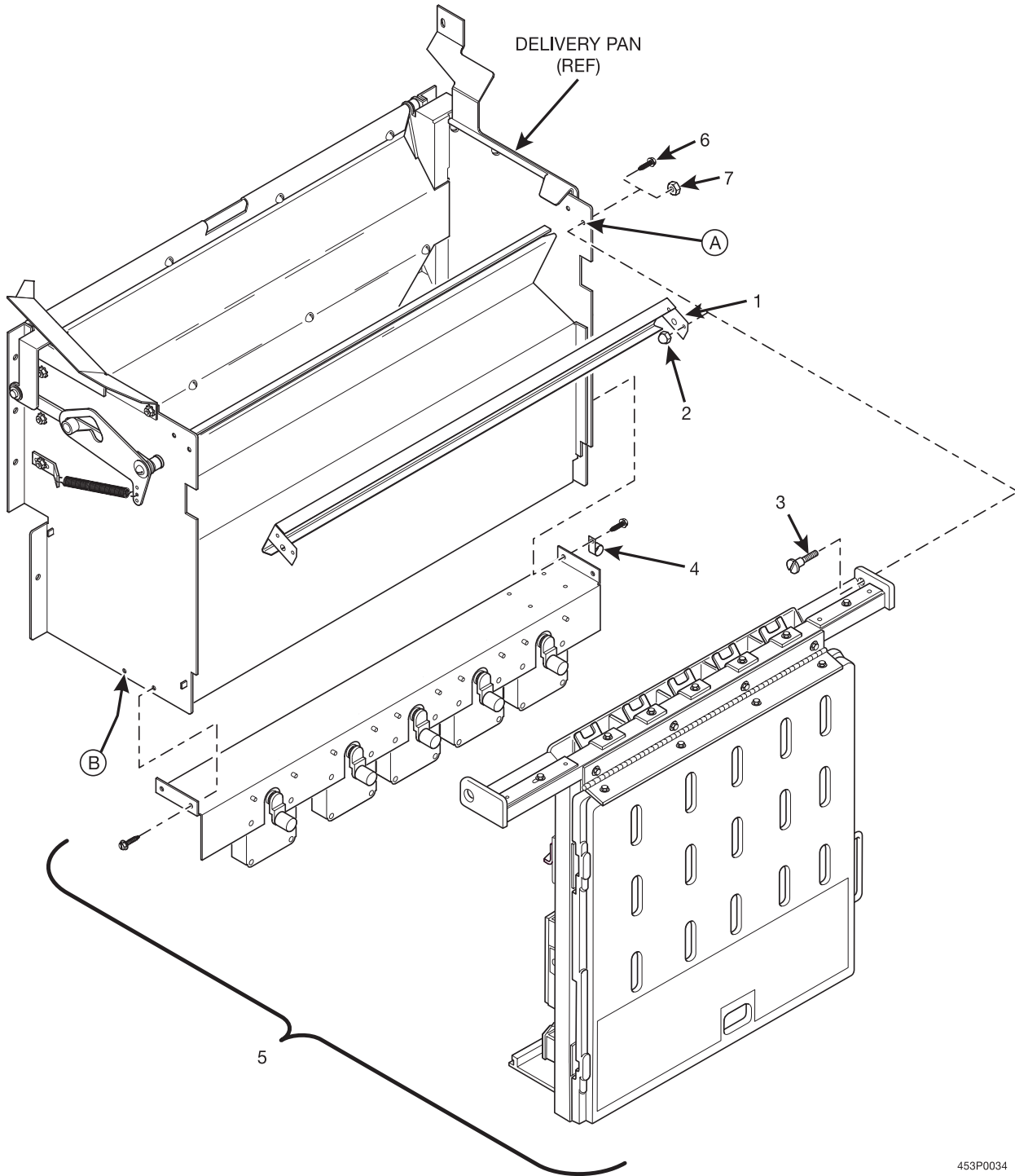
## Expanded Refreshment Center Parts Manual

TABLE 44. DELIVERY PAN SOLENOID LOCK ASSEMBLY - FOOD OPTION ONLY

INDEX	PART NUMBER	DESCRIPTION	QTY.
1	9900418	RETAINING RING - REINF. E-TYPE .187	3
2	4402022	PIN - LATCH	1
3	4302316	FASTENER - TWIN TYPE	2
4	1572264	BRACKET - SWITCH MOUNTING	1
5	4302319	SWITCH - LEVER - 1 7/8	2
6	1217160	#4-40 X 5/8 RHS MACHINE SCREW Z/Y	4
7	9900081	NUT #8032 KEPS - Z/P	2
8	1127808	SPRING	1
9	4402047	LINK - SOLENOID	1
10	4402023	LATCH AND STUD ASSEMBLY	1
11	4252030	SOLENOID - 24 VDC	1
12	9900098	COTTER PIN 3/32 X 3/4	1
13	1572266	PLATE AND BRACKET ASSEMBLY	1
14	9900090	SCREW #6-32 X 3/16 RHS - W/LKW	2



(SHOWN WITH FLAP DELIVERY PAN ASSEMBLY -  
ROTARY DELIVERY PAN OPTION IS SIMILAR)



453P0034

Figure 45. Gum and Mint Options (Can Modules Only) (Part 1 of 2)

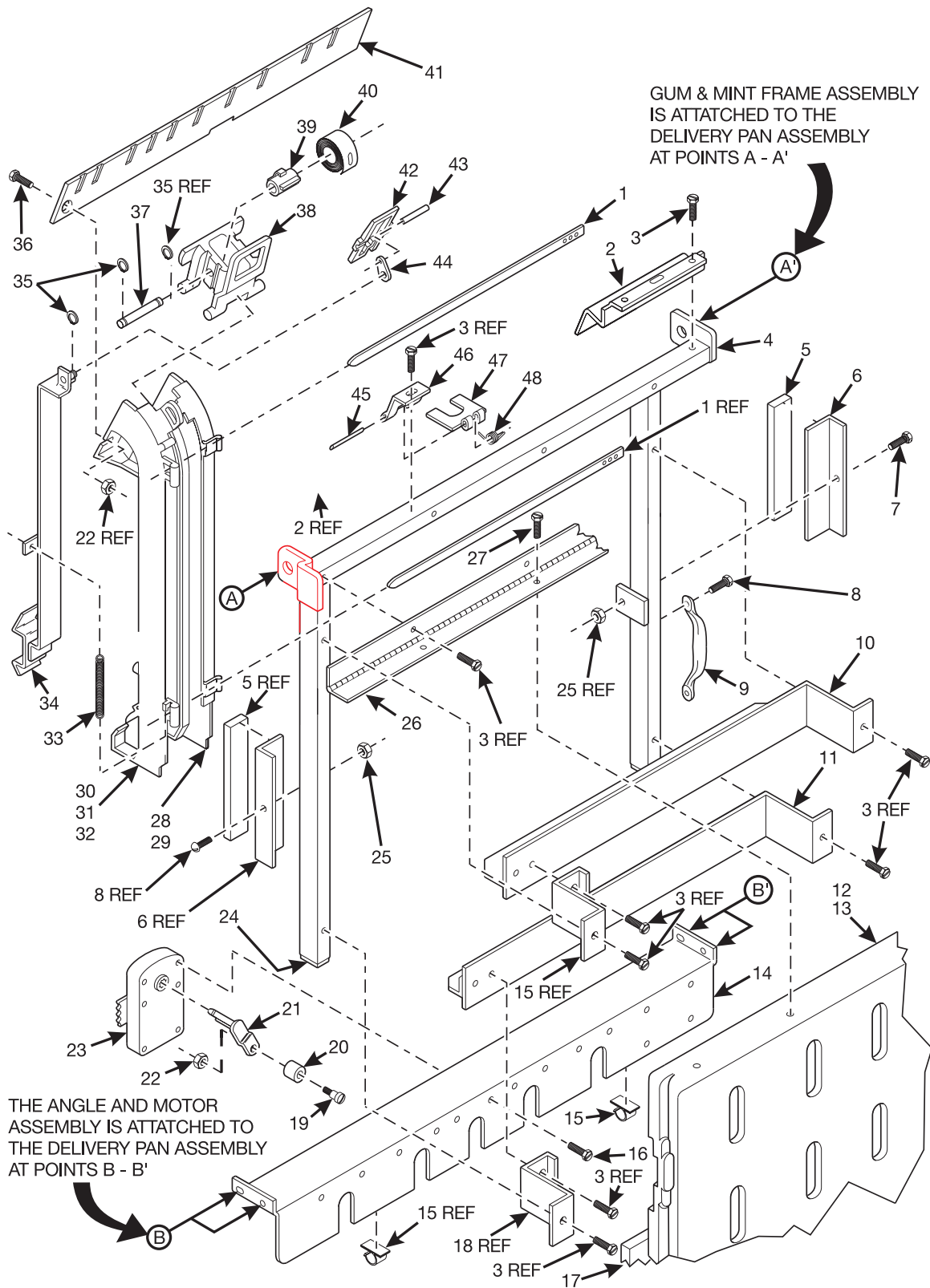




# Expanded Refreshment Center Parts Manual

TABLE 45. GUM AND MINT OPTIONS (CAN MODULES ONLY) (PART 1 OF 2)

INDEX	PART NUMBER	DESCRIPTION	QTY.
1	1472082	FILLER - DELIVERY PAN (FLAP DOOR WITHOUT GUM AND MINT)	1
	1472427	FILLER - UPPER REAR LONG (ROTARY DOOR WITHOUT GUM AND MINT)	
2	3108030	8-32 ACORN NUT BRASS NICKEL PL (WITHOUT GUM AND MINT)	2
3	1479052	STUD - PIVOT - G & M (WITH GUM AND MINT)	2
4	1452139	RETAINER HARNESS (WITH GUM AND MINT)	1
5	1577000	GUM & MINT COLUMN ASSEMBLY (WITH GUM AND MINT)	1
6	1451097	SCREW #8-32 X .31 HEX HD. TF - BLK (WITHOUT GUM AND MINT)	2
7	6133152	#10-32 X 5/8 SEMS TY 23 T/C EXT Z (WITH GUM AND MINT)	2



157P0116

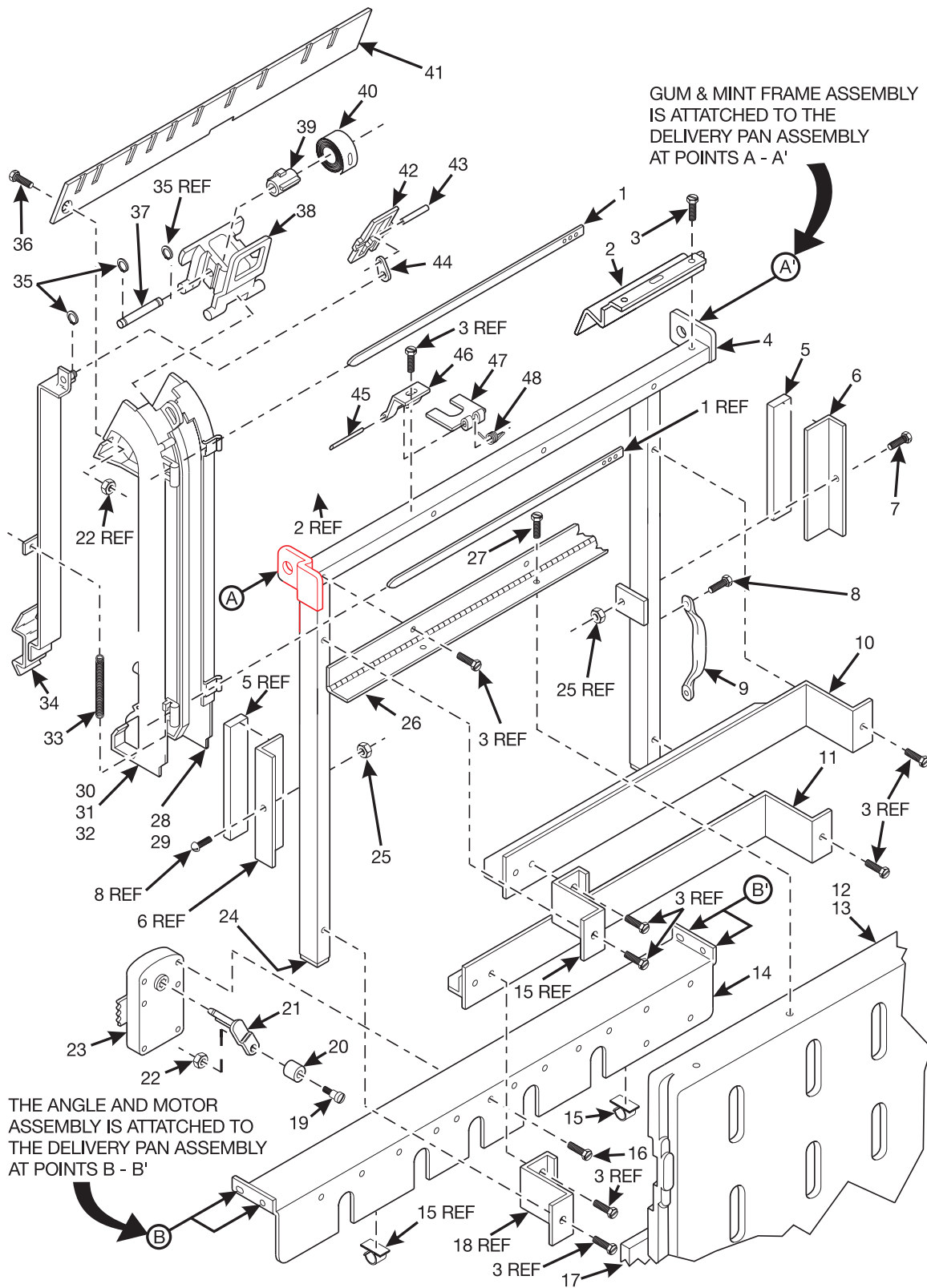
Figure 46. Gum and Mint Options (Can Modules Only) (Part 2 of 2)



# Expanded Refreshment Center Parts Manual

**TABLE 46. GUM AND MINT OPTIONS (CAN MODULES ONLY) (PART 2 OF 2)**

INDEX	PART NUMBER	DESCRIPTION	QTY.
-	1577000	GUM & MINT COLUMN	-
1	1579053	RETAINER	3
2	1479103	FILLER - GUM & MINT	2
3	1451097	SCREW - #8-32 X .31 HEX HD. TF	-
4	1479136	FRAME ASSEMBLY - GUM & MINT	1
5	3122056	MAGNET RETAINER COIN CHANGER	2
6	1479117	ANGLE MAGNET	2
7	9900201	SCREW #8-32 X 5/16 RHS SEMS MACH ZINC	2
8	4041053	SCREW #10-32 X 3/8 PHS T/C W/LW	2
9	1479139	PULL - DOOR	1
10	1479089	SUPPORT ASSEMBLY - MAGAZINE - UPPER	1
11	1479092	SUPPORT ASSEMBLY - MAGAZINE - LOWER	1
12	1479101	COVER - GUM & MINT	1
13	1479124	LABEL - LOADING - GUM & MINT	1
14	1572351	ANGLE - MOTOR	1
15	6131143	CABLE CLAMP - RICHCO #KKC6	2
16	1457027	SCREW - #8-32 X .81 HEX HD. - T/F	10
17	1479119	MAGNET - RETAINER	2
18	1479095	BRACKET - MAGAZINE	2
19	1479062	STUD - DRIVE ARM	5
20	1479063	ROLLER - DRIVE ARM	5
21	1479145	ARM - DRIVE MOTOR	5
22	9900081	NUT - #8-32 KEPS ZINC PLATE	5
23	1577035	MOTOR & PC BOARD ASSEMBLY	5
24	1479120	CAPLUG - REC. 1/2 X 1	2
25	1412046	NUT - #8-32 MF 23TW832 BLOX	2
26	1479104	HINGE - COVER	1
27	1437204	SCREW - #8-10 X .38 HEX HD. TF	4
28	1479073	CHANNEL - GUM & MINT - LEFT	5
29	1479064	SPACER - COLUMN - GUM & MINT	2
30	1479076	CHANNEL - GUM & MINT - RIGHT - SMALL	3
31	1479077	CHANNEL - GUM & MINT - RIGHT - LARGE	2
32	1572040	LABEL - LOADING LINE - GUM & MINT	1
33	4246307	SPRING - HORIZONTAL SELECTOR ARM	5
34	1479123	DRIVE BAR & STUD ASSEMBLY	5
35	9900425	RETAINING RING - REINF. E TYPE .250	15
36	9900020	SCREW #8-32 X 1/2 RHS MACH. ZINC	1
37	1479099	PIN - PUSHER	5



157P0116

Figure 46. Gum and Mint Options (Can Modules Only) (Part 2 of 2)



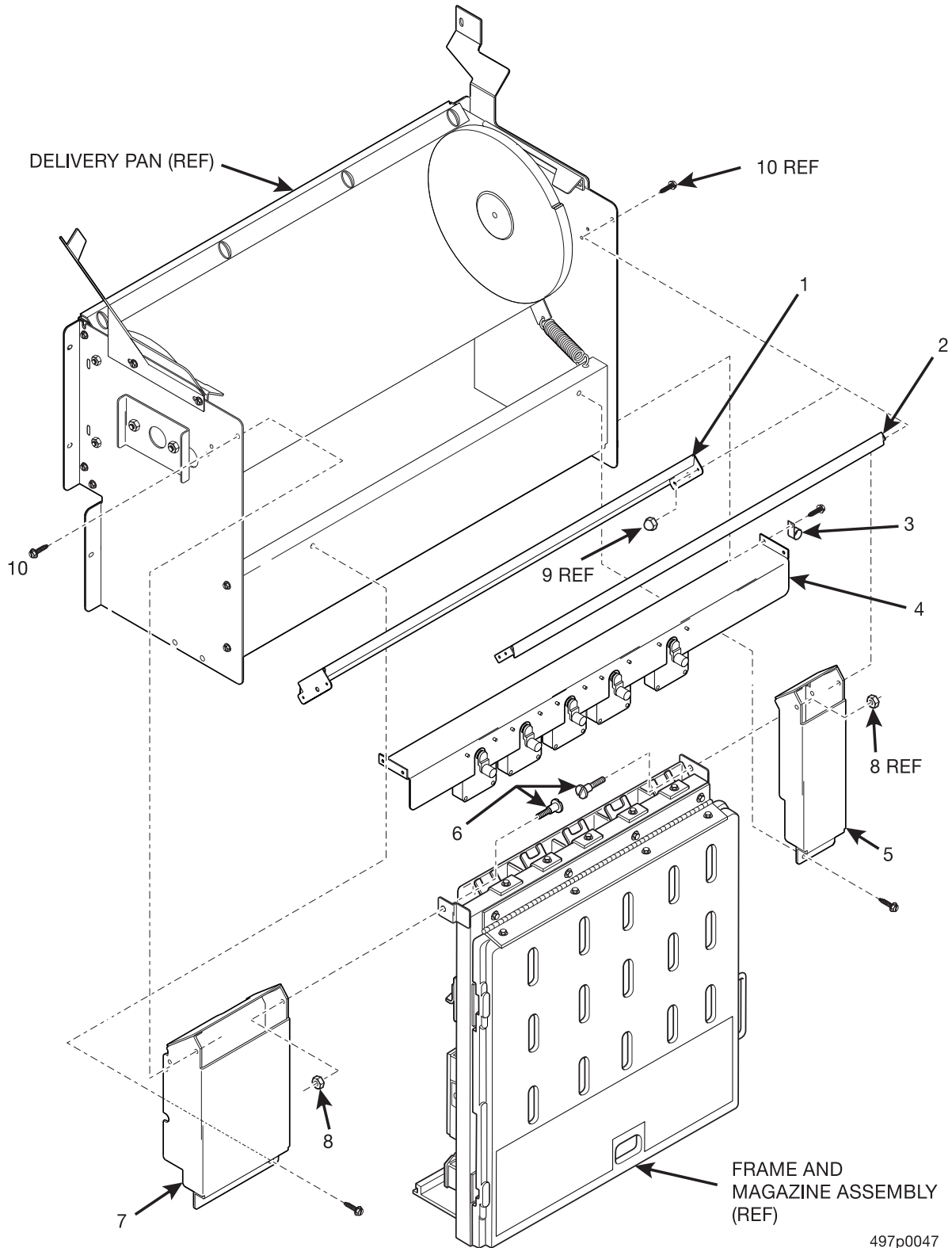
# Expanded Refreshment Center Parts Manual

**TABLE 46. GUM AND MINT OPTIONS (CAN MODULES ONLY) (PART 2 OF 2) (CONTINUED)**

INDEX	PART NUMBER	DESCRIPTION	QTY.
38	1479079	PUSHER	5
39	1479080	SPOOL - SPRING	5
40	1479106	SPRING - PUSHER	5
41	1479105	WINDOW - GUM & MINT	1
42	1479078	EJECTOR - GUM & MINT	5
43	1479098	PIN - EJECTOR	5
44	1479097	LINK - EJECTOR	5
45	1479083	PIN - HINGE	5
46	1479082	HINGE - BACK	5
47	1479081	HINGE - FRONT	5
48	1479084	SPRING - HINGE	5



(SHOWN WITH ROTARY DELIVERY PAN ASSEMBLY - FLAP  
DELIVERY PAN OPTION IS SIMILAR)



497p0047

Figure 47. Gum and Mint Options - Food Modules Only



# Expanded Refreshment Center Parts Manual

TABLE 47. GUM AND MINT OPTIONS - FOOD MODULES ONLY

INDEX	PART NUMBER	DESCRIPTION	QTY.
1	1472427	FILLER - UPPER REAR - LONG (ROTARY DOOR WITHOUT G & M)	1
	1472082	FILLER - DOOR (FLAP DOOR WITHOUT G & M)	
2	4972012	DEFLECTOR PANEL - G&M (WITH G & M)	1
3	1452139	RETAINER HARNESS (WITH G & M)	1
4	4972024	ANGLE - MOTOR (WITH G & M)	1
5	4972026	PRODUCT DEFLECTOR ASSEMBLY - L.H. (ROTARY DOOR WITH G & M)	1
	4972136	PRODUCT DEFLECTOR ASSEMBLY - LH. (FLAP DOOR WITH G & M)	
6	1479052	STUD - PIVOT - G&M (WITH G & M)	2
7	4972029	PRODUCT DEFLECTOR ASSEMBLY - R.H. (ROTARY DOOR WITH G & M)	1
	4972137	BOTTOM - PRODUCT DEFLECTOR - RH (FLAP DOOR WITH G & M)	
8	1407048	10-32 M/F #21TWA1032 ZP (WITH G & M)	2
9	3512081		2
10	4721035	SCREW - #8-18 X .38 - LGM	4

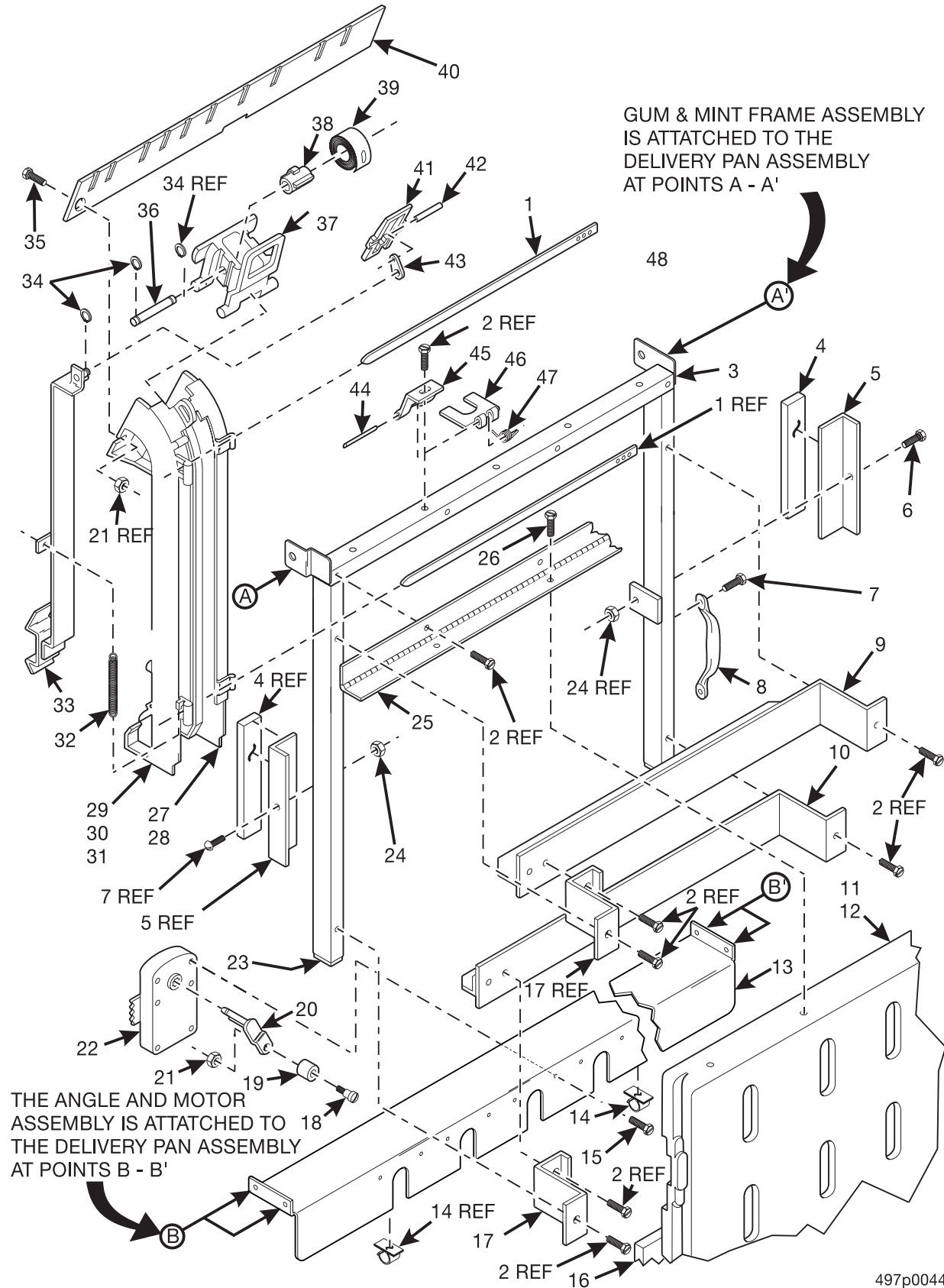


Figure 48. Gum and Mint Frame and Magazine Assembly - Food Module Only





# Expanded Refreshment Center Parts Manual

**TABLE 48. GUM AND MINT FRAME AND MAGAZINE ASSEMBLY - FOOD MODULE ONLY**

INDEX	PART NUMBER	DESCRIPTION	QTY.
-	4972018	GUM & MINT COLUMN ASSEMBLY - FOOD	-
1	1579053	RETAINER	3
2	1451097	SCREW - #8-32 X .31 HEX HD - T/F - BLACK	21
3	1489008	FRAME ASSEMBLY - G & M	1
4	3122056	MAGNET RETAINER - COIN CHANGER	2
5	1479117	ANGLE - MAGNET	2
6	9900201	SCREW - #8-32 X 5/16 RHS SEMS MACH	2
7	1217161	#10-32 X 1/2 RHS SEMS EXT ZP	2
8	1479139	PULL - DOOR	1
9	1479092	SUPPORT ASSEMBLY - MAGAZINE - LOWER	1
10	1479089	SUPPORT ASSEMBLY - MAGAZINE - UPPER	1
11	1479101	COVER - GUM AND MINT	1
12	1479124	LABEL - LOADING - G & M	1
13	4972024	ANGLE - MOTOR	1
14	6131143	CABLE CLAMP	2
15	1457027	SCREW - #8-32 X .81 HEX HD - T/F	10
16	1479779	MAGNET - RETAINER	2
17	1479095	BRACKET - MAGAZINE	2
18	1479062	STUD - DRIVE ARM	5
19	1479063	ROLLER - DRIVE ARM	5
20	1479145	ARM - DRIVE MOTOR	5
21	9900081	NUT - #8-32 KEPS - ZP	5
22	1577035	MOTOR & PC BOARD ASSEMBLY	5
23	1479120	CAPLUG - RECTANGULAR 1/2 X 1	2
24	9900081	NUT - #8-32 KEPS ZINC PLATE	3
25	1479104	HINGE - COVER	1
26	1437204	SCREW - #8010 X .38 HEX HD T/F	4
27	1479075	CHANNEL - GUM & MINT - LEFT	5
28	1479064	SPACER - COLUMN - G & M	2
29	1479076	CHANNEL - GUM AND MINT - RIGHT - SMALL	2
30	1479077	CHANNEL - GUM AND MINT - RIGHT - LARGE	2
31	1572040	LABEL - LOADING LINE - G & M UNIVERSAL	1
32	4246307	SPRING - HORIZONTAL - SELECTOR ARM	5
33	1479123	DRIVE BAR AND STUD ASSEMBLY	5
34	9900425	RETAINING RING REINF. E TYPE .25	15
35	9900020	SCREW - #8-32 X 1/2 RHS MACH ZINC	1
36	1479099	PIN - PUSHER	5
37	1479079	PUSHER	5

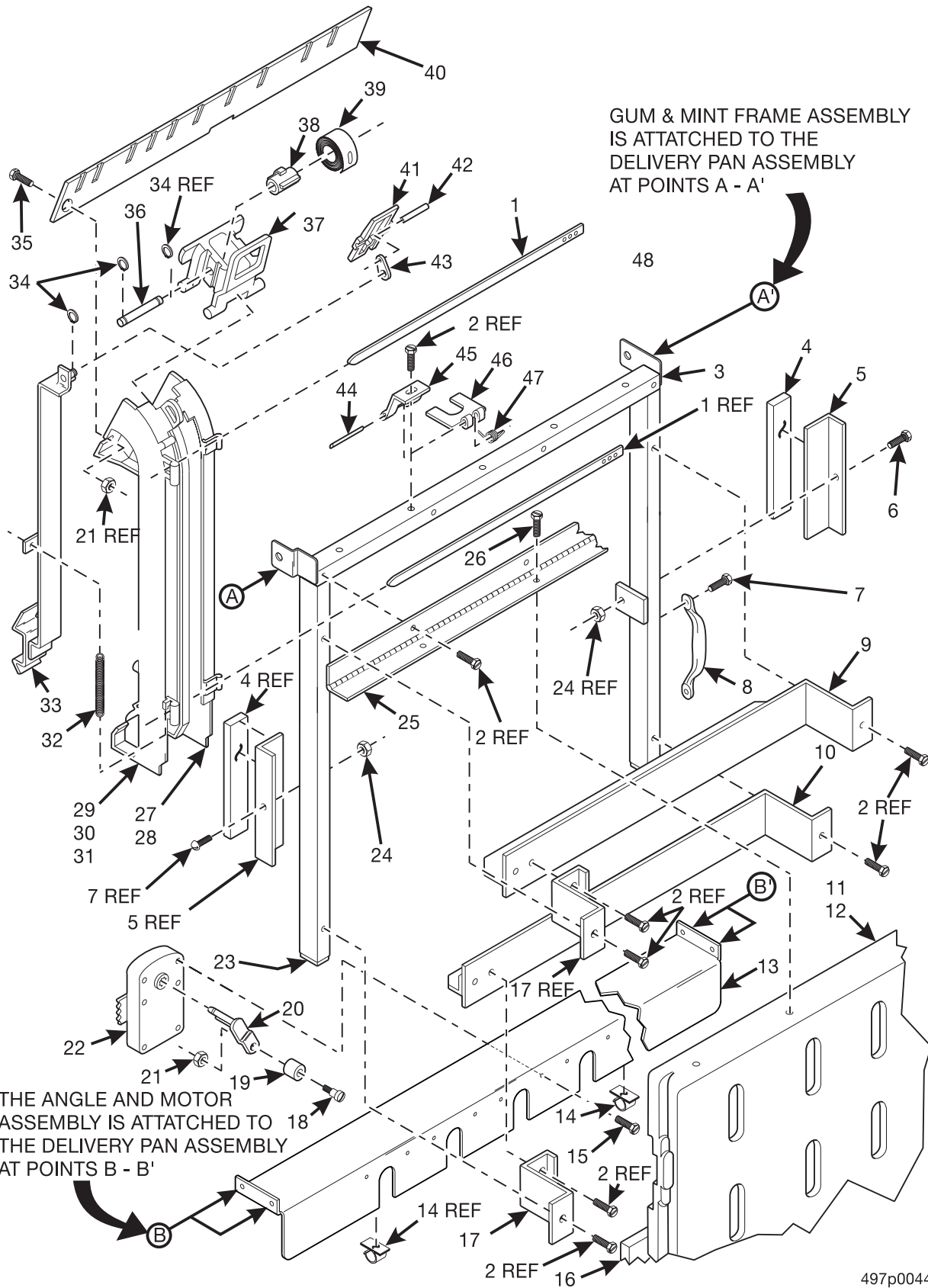


Figure 48. Gum and Mint Frame and Magazine Assembly - Food Module Only



# Expanded Refreshment Center Parts Manual

**TABLE 48. GUM AND MINT FRAME AND MAGAZINE ASSEMBLY - FOOD MODULE ONLY**

<b>INDEX</b>	<b>PART NUMBER</b>	<b>DESCRIPTION</b>	<b>QTY.</b>
38	1479080	SPOOL - SPRING	5
39	1479106	SPRING - PUSHER	5
40	1479105	WINDOW - GUM AND MINT	1
41	1479078	EJECTOR - GUM AND MINT	5
42	1479098	PIN - EJECTOR	5
43	1479097	LINK - EJECTOR	5
44	1479083	PIN - HINGE	5
45	1479082	HINGE - BACK	5
46	1479081	HINGE - FRONT	5
47	1479084	SPRING - HINGE	5

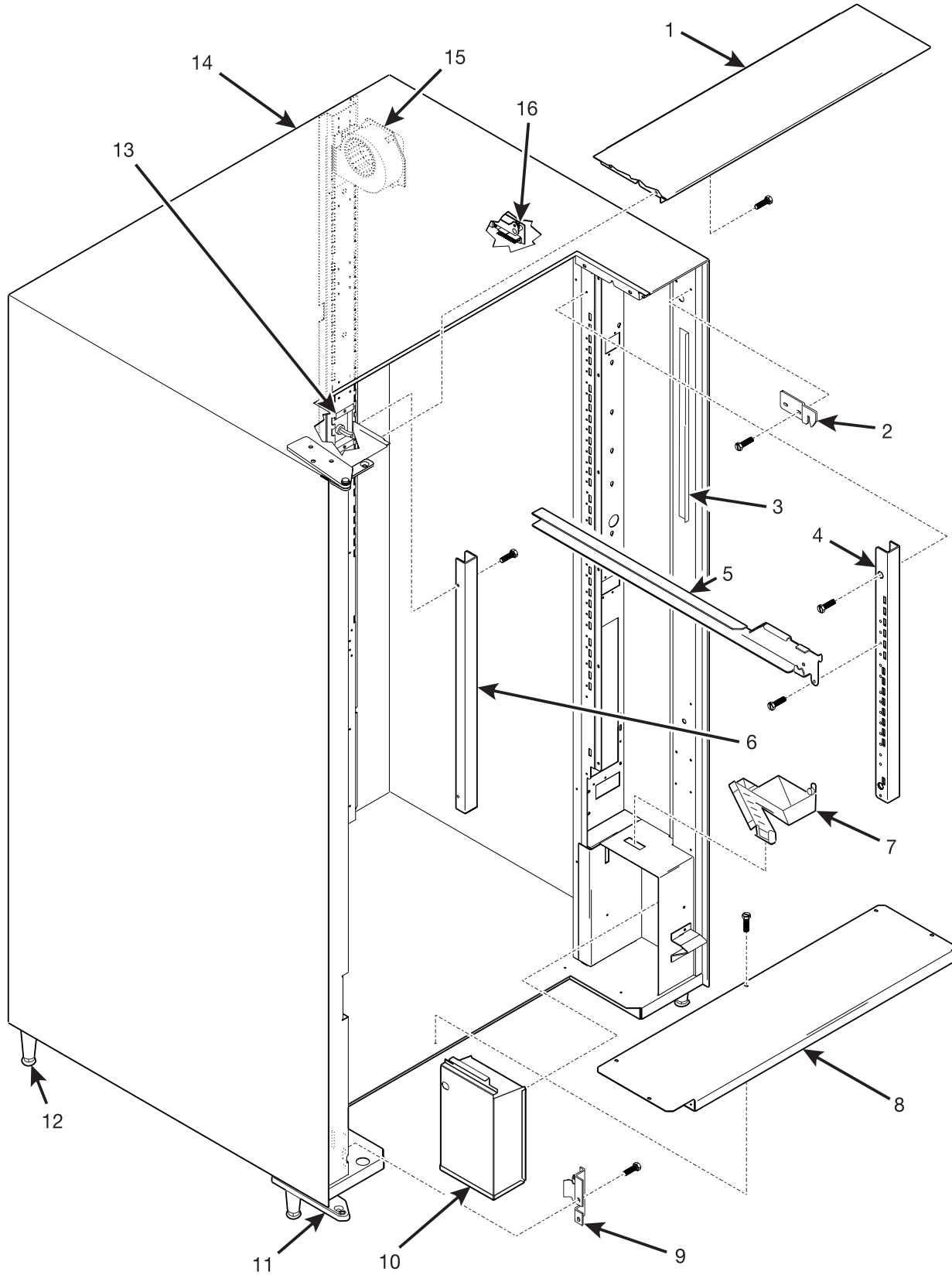


Figure 49. Common Cabinet (Part 1 of 5)

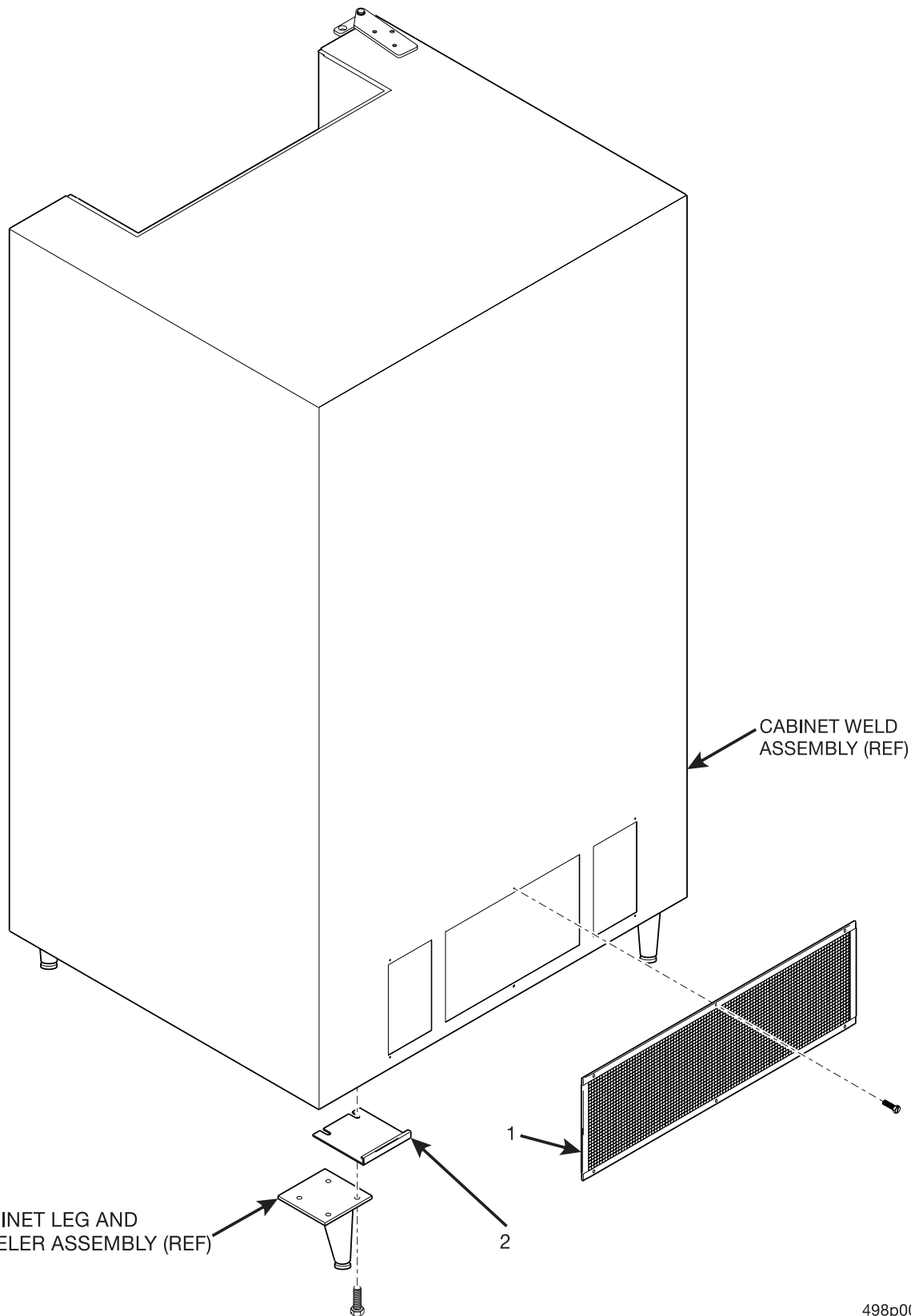
498p0010



# Expanded Refreshment Center Parts Manual

**TABLE 49. COMMON CABINET (PART 1 OF 5)**

INDEX	PART NUMBER	DESCRIPTION	QTY.
1	4971041	TOP FILLER ASSEMBLY - N.V. BLACK	1
	4971043	TOP FILLER ASSEMBLY - MILLENNIA GRAY	
2	1571074	LOCK ARM - CABINET	2
3	1571022	STOP - MONETARY PANEL	2
4	4971025	SPACER - RIGHT HAND RAIL MOUNTING	1
5	-	(SEE FIGURE 52 FOR DETAILS)	-
6	4971022	SPACER - LEFT HAND RAIL MOUNTING	1
7	6231242	CHUTE - PAYOUT	1
8	4971042	BASE FILLER ASSEMBLY - N.V. BLACK	1
	4971044	BASE FILLER ASSEMBLY - MILLENNIA GRAY	
9	1571090	PLATE ASSEMBLY - DOOR CHECK	1
10	1571029	MONEY BOX ASSEMBLY	1
11	6231163	LEG, HINGE, AND LEVELER ASSEMBLY	1
12	1471237	LEG AND LEVELER ASSEMBLY - CABINET	3
13	-	(SEE FIGURE 53 FOR DETAILS)	-
14	4971047	CABINET WELD - N.V. BLACK	1
	4971048	CABINET WELD - MILLENNIA GRAY	
15	-	(SEE FIGURE 53 FOR DETAILS)	-
16	-	(SEE FIGURE 52 FOR DETAILS)	-
<b>THE MONEY BOX LOCK ACCESSORY INCLUDES THE FOLLOWING:</b>			
-	1101906	MONEY BOX LOCK - CHICAGO - LK #1801	1
-	2221920	KEY - CHICAGO LOCK - #1801	1
-	2222603	NUT - LOCK RETAINING	1
-	2222604	WASHER - LOCK BARREL - #2693	1



498p0011

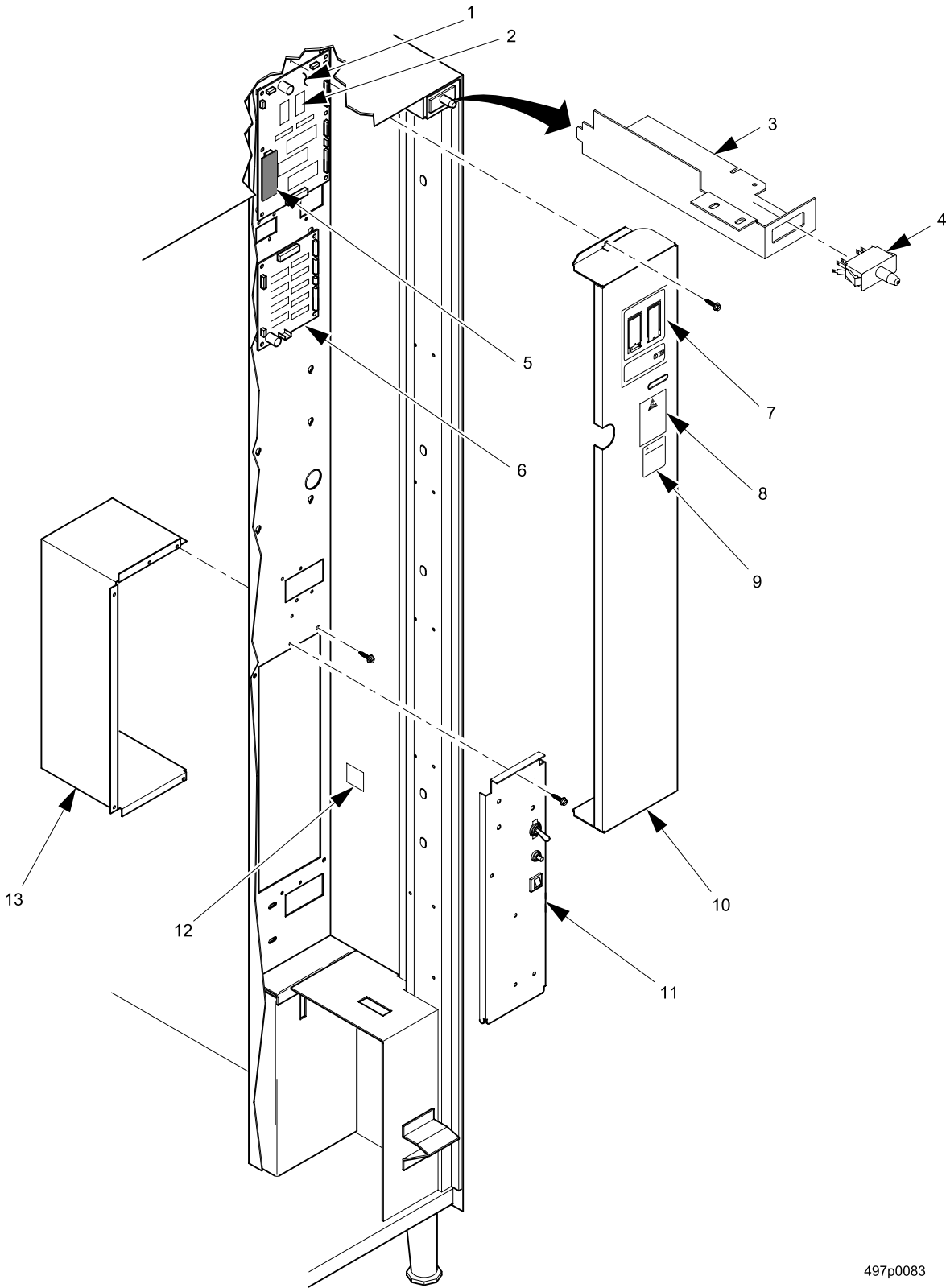
Figure 50. Common Cabinet (Part 2 of 5)



# Expanded Refreshment Center Parts Manual

TABLE 50. COMMON CABINET (PART 2 OF 5)

INDEX	PART NUMBER	DESCRIPTION	QTY.
1	4971007	SCREEN ASSEMBLY - VENT	1
2	4741065	STANDOFF - MACHINE - CABINET	2



497p0083

Figure 51. Common Cabinet (Part 3 of 5)

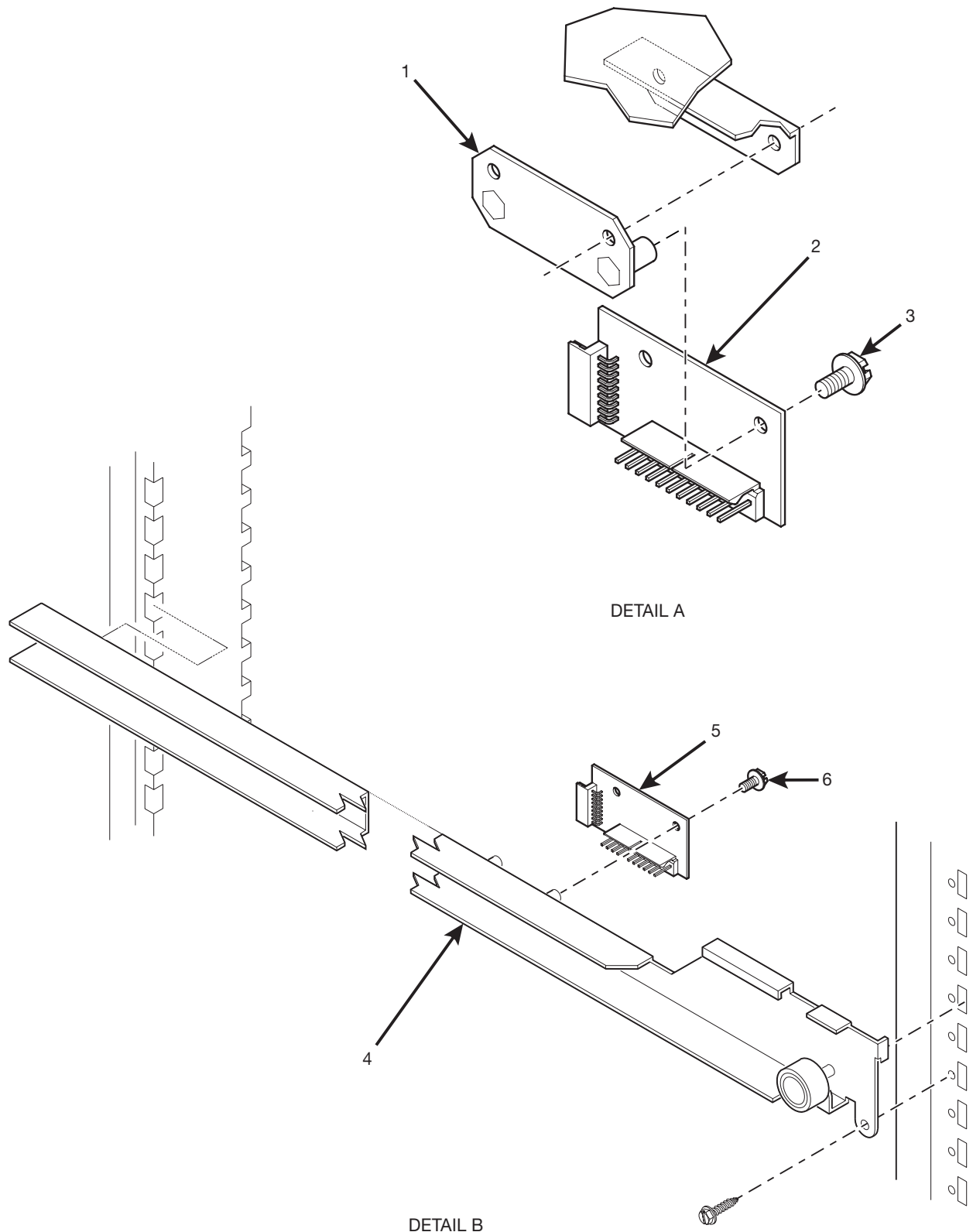




# Expanded Refreshment Center Parts Manual

**TABLE 51. COMMON CABINET (PART 3 OF 5)**

INDEX	PART NUMBER	DESCRIPTION	QTY.
-	1586001	MAIN CONTROL PCB WITH EPROM (INCLUDES INDEX NUMBERS 1 AND 2)	-
1	9989678	PCB ASSEMBLY - MAIN CONTROLLER	1
2	1586009	IC ASSEMBLY - VERSION 158.09	1
3	1571021	BRACKET - SWITCH - INTERLOCK (115 V FROZEN; ALL 230 V)	1
4	1211141	SWITCH (115 V FROZEN; ALL 230 V)	1
5	9989687	PCB ASSEMBLY - EXEC. INTERFACE (USED WITH EXEC COIN MECH. OPTIONS)	1
6	1576008	PCB ASSEMBLY - SNACK INTERFACE	1
7	1571042	LABEL - LED & EPROM - ENGLISH	1
	1571045	LABEL - LED & EPROM - SPANISH	
	1571044	LABEL - LED & EPROM - FRENCH	
	1571043	LABEL - LED & EPROM - GERMAN	
8	1571154	LABEL - CAUTION - STATIC/ELECTRICAL CONNECTIONS - ENGLISH	1
	6232279	LABEL - CAUTION - STATIC/ELECTRICAL CONNECTIONS - SPANISH	
	6231229	LABEL - CAUTION - STATIC/ELECTRICAL CONNECTIONS - FRENCH	
	6232518	LABEL - CAUTION - STATIC/ELECTRICAL CONNECTIONS - GERMAN	
9	6231189	LABEL - WARNING - HIGH VOLTAGE - ENGLISH	1
	6232290	LABEL - WARNING - HIGH VOLTAGE - SPANISH	
	6231229	LABEL - WARNING - HIGH VOLTAGE - FRENCH	
	6231216	LABEL - WARNING - HIGH VOLTAGE - GERMAN	
10	1571112	COVER - CONTROLLER AND INTERFACE PCB	1
11	4841012	POWER PANEL ASSEMBLY - 115 V (BRAZIL/U.S.)	1
	1571084	POWER PANEL ASSEMBLY - 230 V (ARG./LATIN AMERICA/BRAZIL)	
	1571083	POWER PANEL ASSEMBLY - 230 V (SOUTH AMERICA/N.Z.)	
	1571203	POWER PANEL ASSEMBLY - 100 V 50 HZ (JAPAN)	
	4521020	POWER PANEL ASSEMBLY - 230 V (U.K.)	
	4521041	POWER PANEL ASSEMBLY - 230 V (FR./GER./SW.)	
	4522020	POWER PANEL ASSEMBLY - 230 V WITHOUT FILTER (NEW ZEALAND, ARGENTINA, BRAZIL 230 V, LATIN AMERICA 230 V, SOUTH AMERICA 230 V)	
1701015	POWER PANEL ASSEMBLY - DOMESTIC (MEXICO)		
12	4761148	LABEL - EARTHING	1
13	1571032	HOUSING - POWER PANEL	1



158

Figure 52. Common Cabinet (Part 4 of 5)

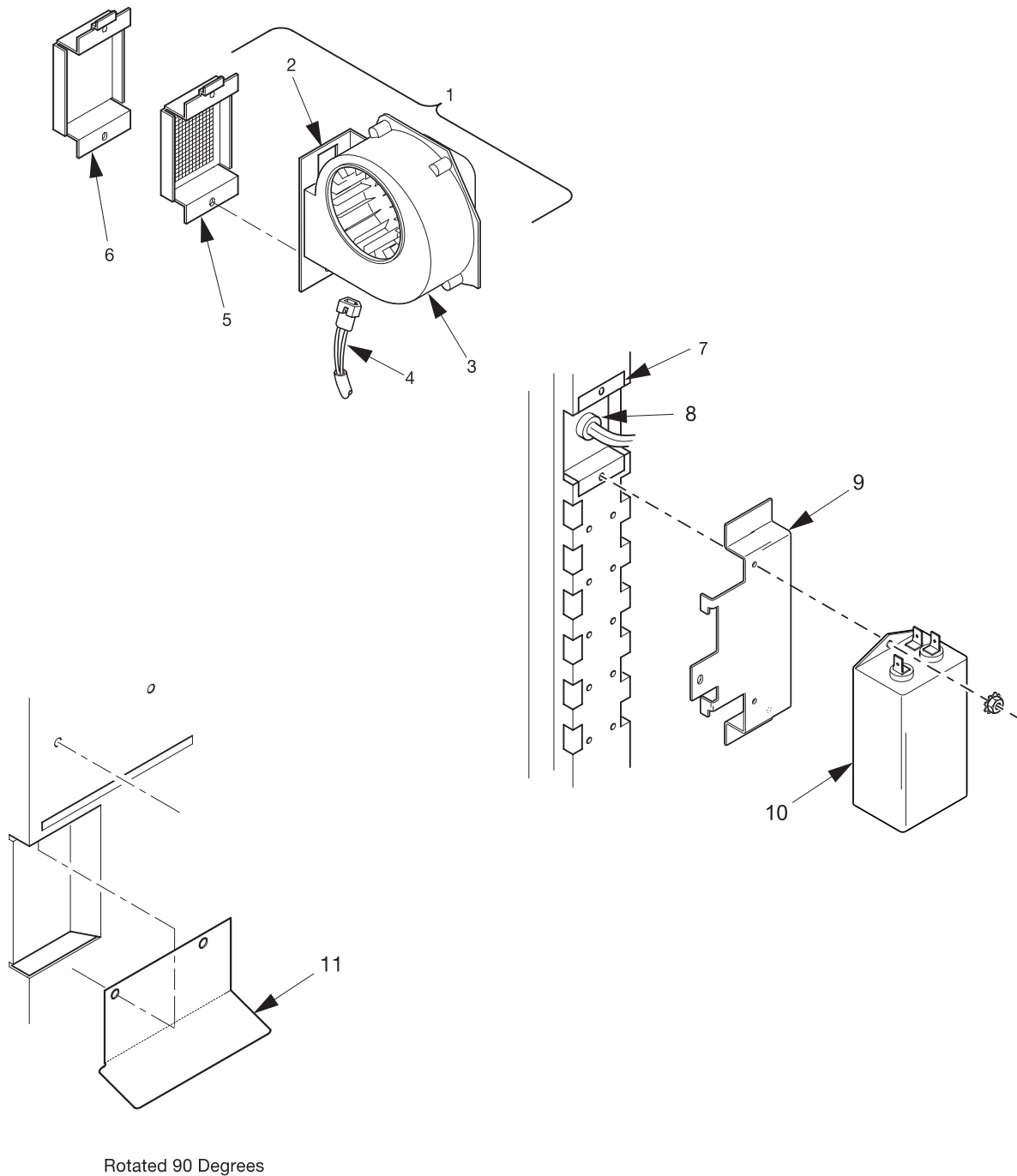


# Expanded Refreshment Center Parts Manual

TABLE 52. COMMON CABINET (PART 4 OF 5)

INDEX	PART NUMBER	DESCRIPTION	QTY.
1	1571175	PLATE - PCB RAIL - MOUNTING	1
-	-	MOUNTING HARDWARE	2
2	1596012	PCB ASSEMBLY - TRAY	1
3	1451097	SCREW - #8-32 X .31 - HEX HD - T/F - BLACK	2
-	1571182	TRAY GUIDE RAIL/PCB ASSEMBLY - RIGHT HAND (INCLUDES INDEX NUMBERS 4-6)	**
4	1571179	TRAY - GUIDE RAIL - W/STANDOFFS	1
5	1596012	PCB ASSEMBLY - TRAY	1
6	1451097	SCREW - #8-32 X .31 - HEX HD - T/F - BLACK	2
-	1571180	TRAY GUIDE RAIL ASSEMBLY - RIGHT HAND (TOP TRAY)	1
-	1571181	TRAY GUIDE RAIL ASSEMBLY - LEFT HAND (ALL TRAYS)	*

\* QUANTITY = 1 PER TRAY IN MACHINE  
\*\* QUANTITY = 1 FEWER THAN NUMBER OF TRAYS IN MACHINE



498P0005

Figure 53. Common Cabinet (Part 5 of 5)



# Expanded Refreshment Center Parts Manual

TABLE 53. COMMON CABINET (PART 5 OF 5)

INDEX	PART NUMBER	DESCRIPTION	QTY.
1	-	FAN OPTION (INCLUDES INDEX NUMBERS 2-5)	OPT
2	1471398	BRACKET - EXHAUST FAN	1
3	6231548	BLOWER ASSEMBLY - 115 V	1
	6401088	BLOWER ASSEMBLY - 230 V	
4	9989637	JUMPER - BLOWER	1
5	1471054	BRACKET & SCREEN ASSEMBLY - EXHAUST	1
6	1479010	COVER - FAN HOLE (NO FAN OPTION)	OPT
7	1471065	BRACKET - MOUNTING - POWER CORD	1
8	9985886	STRAIN RELIEF - RIGHT ANGLE	1
<b>NOTE</b> <b>FOR APPLICATIONS IN U.K., FRANCE, GERMANY AND SWEDEN:</b> <b>WHEN POWER PANEL 4521041 OR 4521020 IS USED, INDEX NUMBER 9 IS NOT USED. INDEX NUMBER 10 IS PART OF THIESE POWER PANEL ASSEMBLIES - OTHERWISE THEY ARE MOUNTED ON THE BACK CABINET WALL AS SHOWN.</b>			
9	4641022	BRACKET - FILTER COMMON	1
10	9989110	FILTER - PANEL LINE - 3MI	1
11	4841020	DEFLECTOR - RC2 - WITH MODULE	1

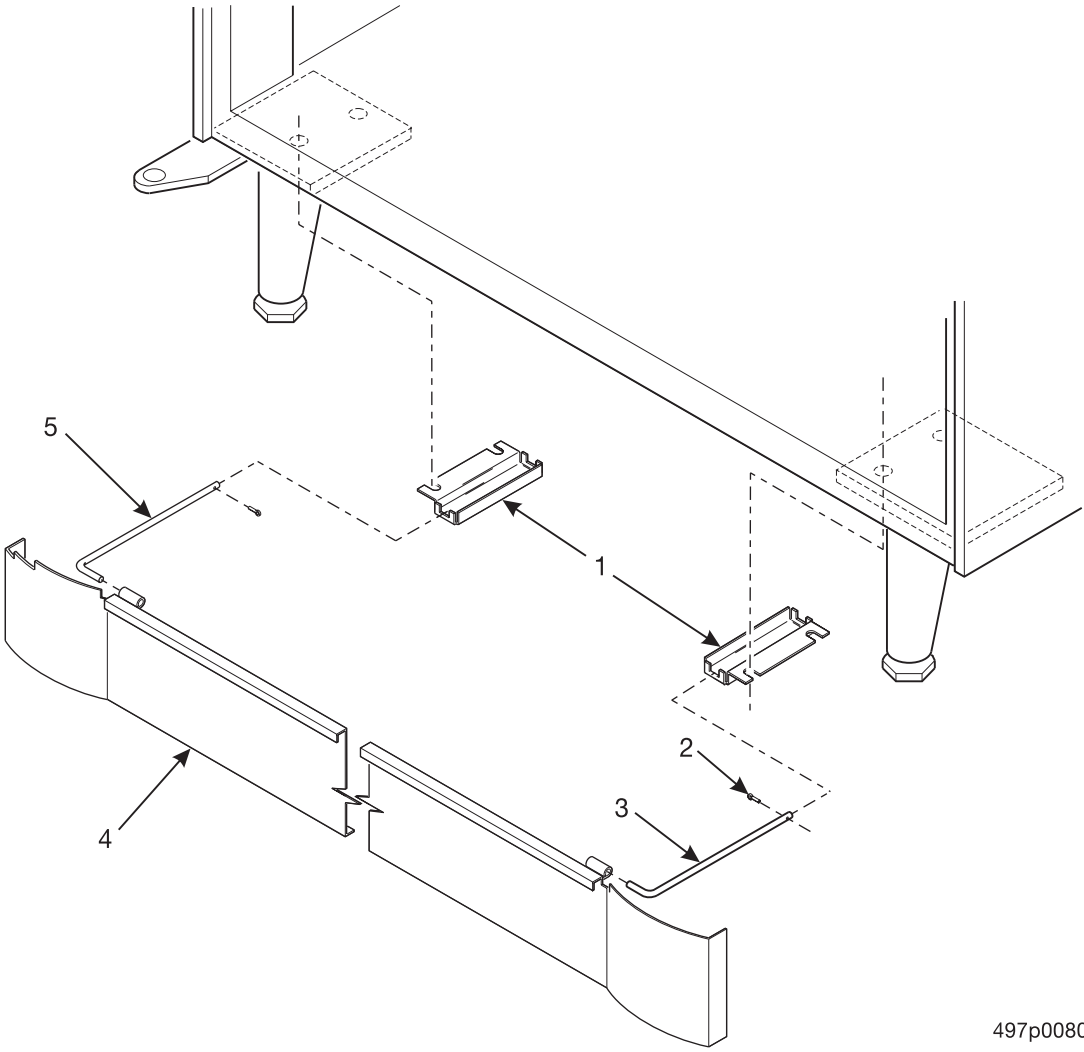


Figure 54. Base Plate Assembly - Millennium



# Expanded Refreshment Center Parts Manual

TABLE 54. BASE PLATE ASSEMBLY - MILLENNIA

INDEX	PART NUMBER	DESCRIPTION	QTY.
1	6231087	BASE PLATE BRACKET	2
2	9900098	COTTER PIN	2
3	1411194	SLIDE - R.H.	1
4	4851082	BASE PLATE ASSEMBLY	1
5	1411195	SLIDE - L.H.	1

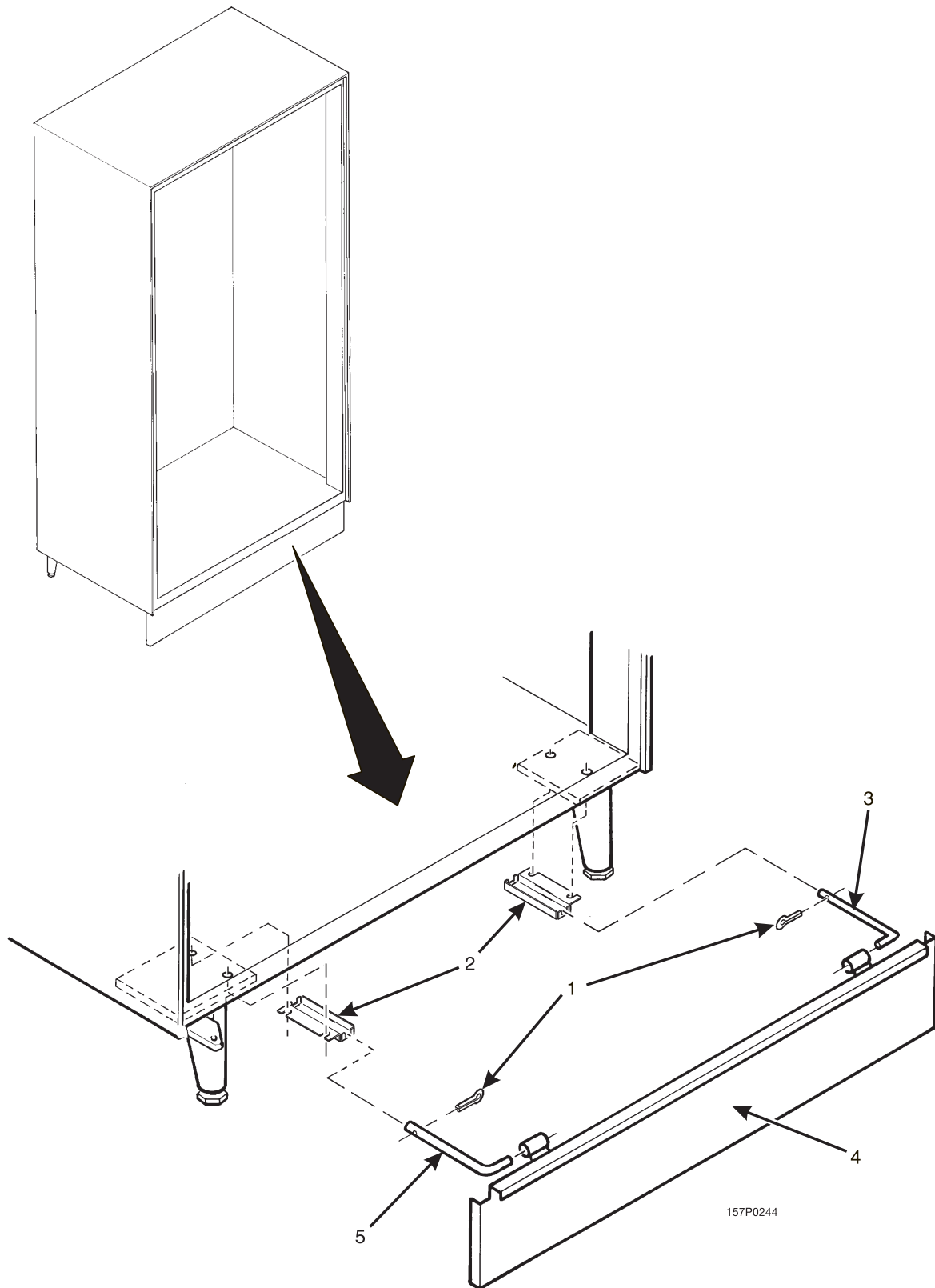


Figure 55. Base Plate Assembly - Standard

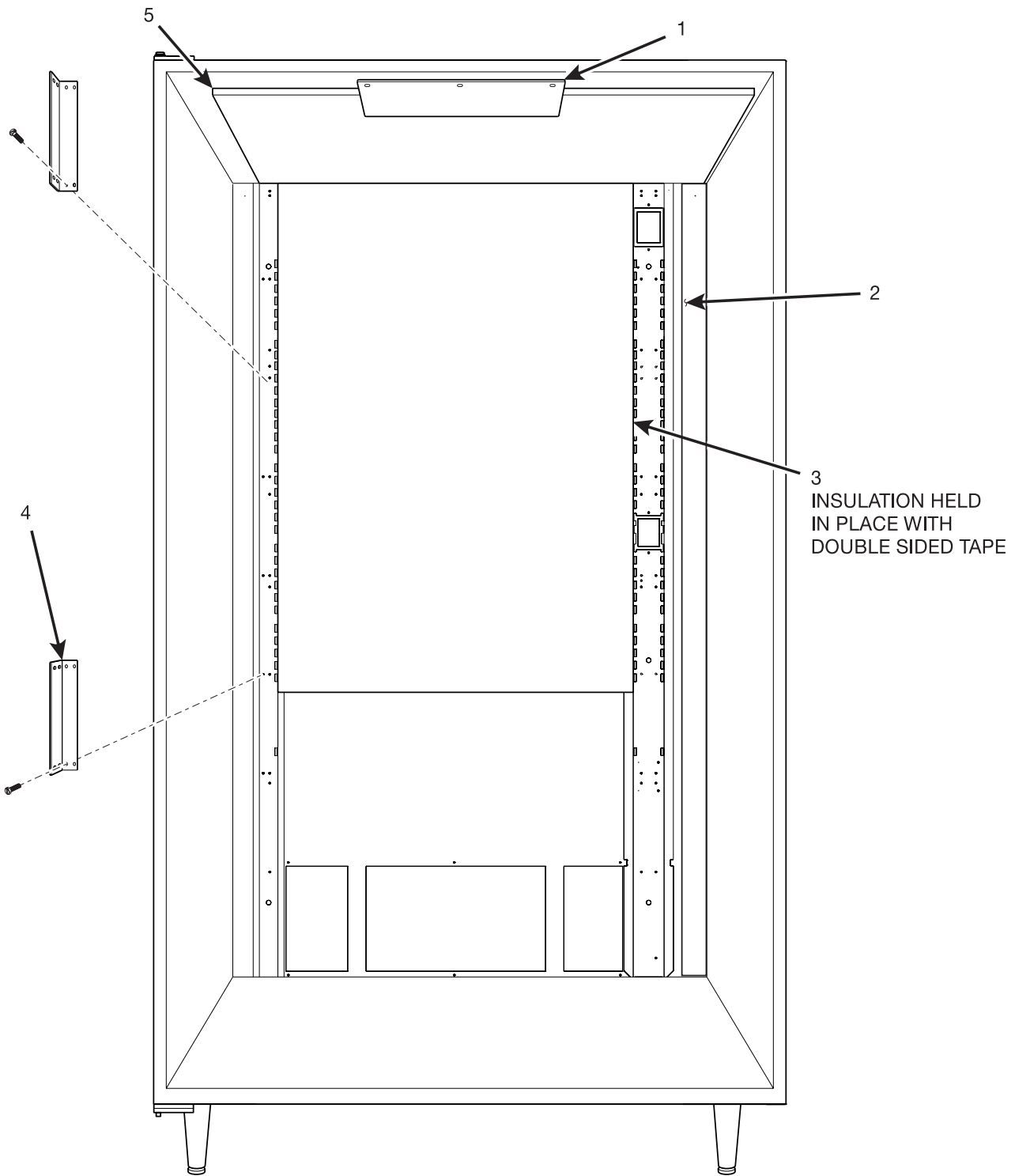




# Expanded Refreshment Center Parts Manual

TABLE 55. BASE PLATE ASSEMBLY - STANDARD

INDEX	PART NUMBER	DESCRIPTION	QTY.
1	9900098	COTTER PIN, 3/32	2
2	6231087	BRACKET - BASE PLATE	2
3	1411194	SLIDE - BASE PLATE - RIGHT HAND	1
4	4111091	BASE PLATE ASSEMBLY	1
5	1411195	SLIDE - BASE PLATE - LEFT HAND	1



498p0007

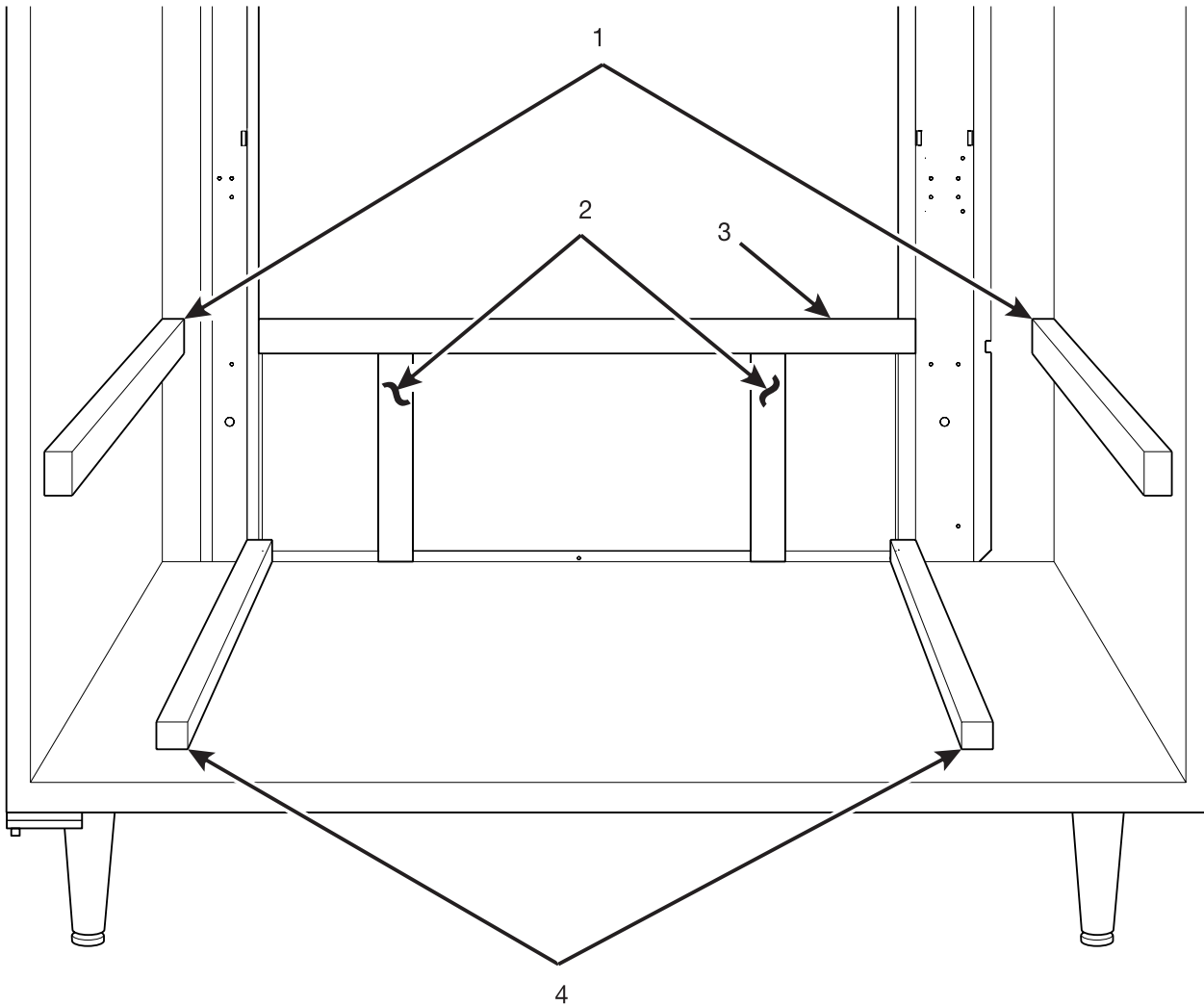
Figure 56. Cabinet Insulation - Model 498 Only (Part 1 of 4)



# Expanded Refreshment Center Parts Manual

**TABLE 56. CABINET INSULATION - MODEL 498 ONLY (PART 1 OF 4)**

<b>INDEX</b>	<b>PART NUMBER</b>	<b>DESCRIPTION</b>	<b>QTY.</b>
1	4611013	RETAINER - TOP INSULATION	1
2	4981025	INSULATION - R.H. SIDE PIECE - BLACK - 4 INCHES WIDE	1
3	4991022	INSULATION - CABINET BACK - 40 INCH - BLACK	1
4	4981001	ANGLE - INSULATION - REAR	2
5	4981021	INSULATION - CABINET TOP - BLACK	1



498p0008

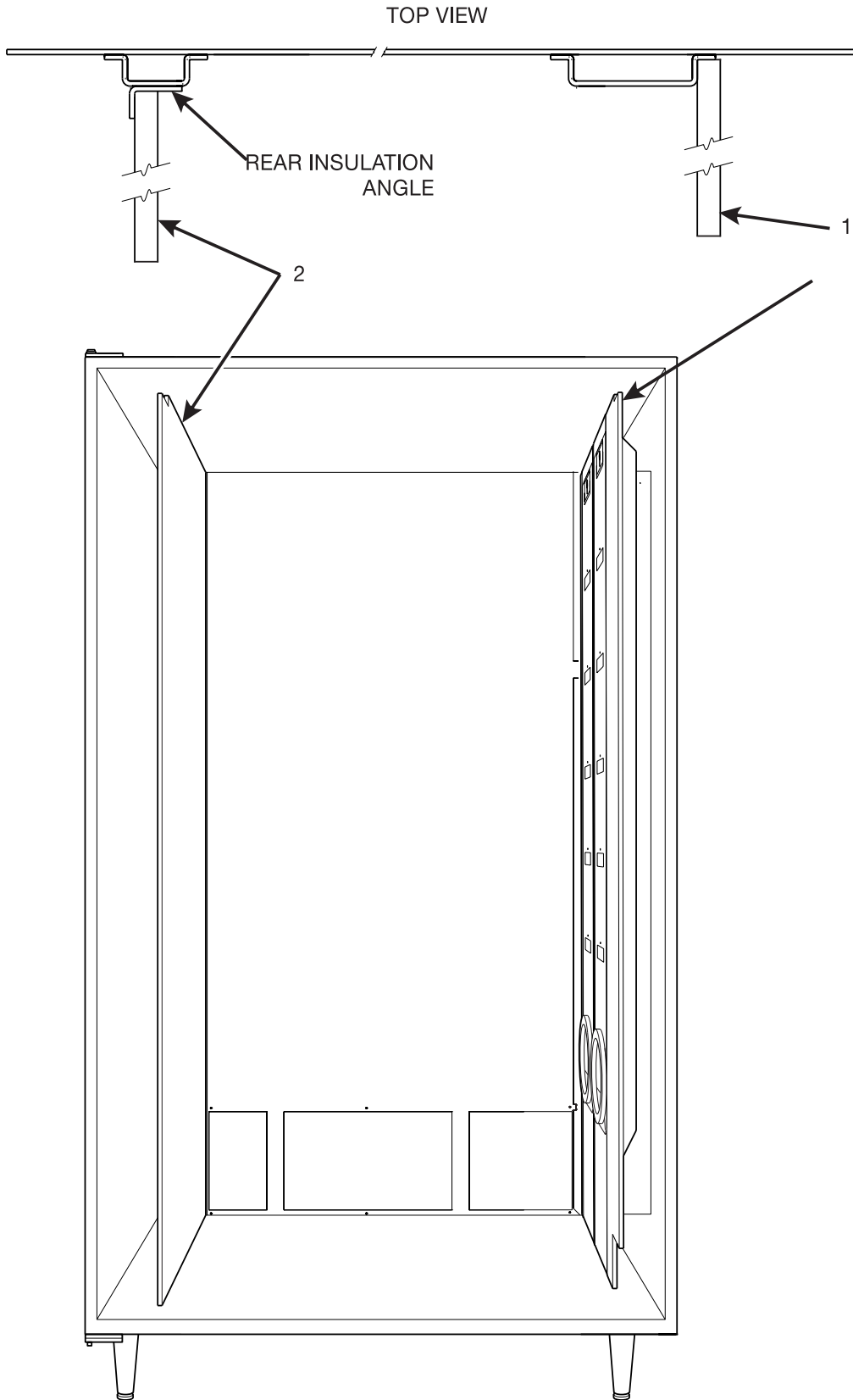
Figure 57. Cabinet Insulation - Model 498 Only (Part 2 of 4)



# Expanded Refreshment Center Parts Manual

TABLE 57. CABINET INSULATION - MODEL 498 ONLY (PART 2 OF 4)

INDEX	PART NUMBER	DESCRIPTION	QTY.
1	4981004	SEAL - CABINET SIDE	2
2	4981002	SEAL - CABINET BACK - VERTICAL	2
3	4981010	SEAL - CABINET BACK - HORIZONTAL	1
4	4774204	SEAL - 4614927 - 18" LONG	2



498p0009

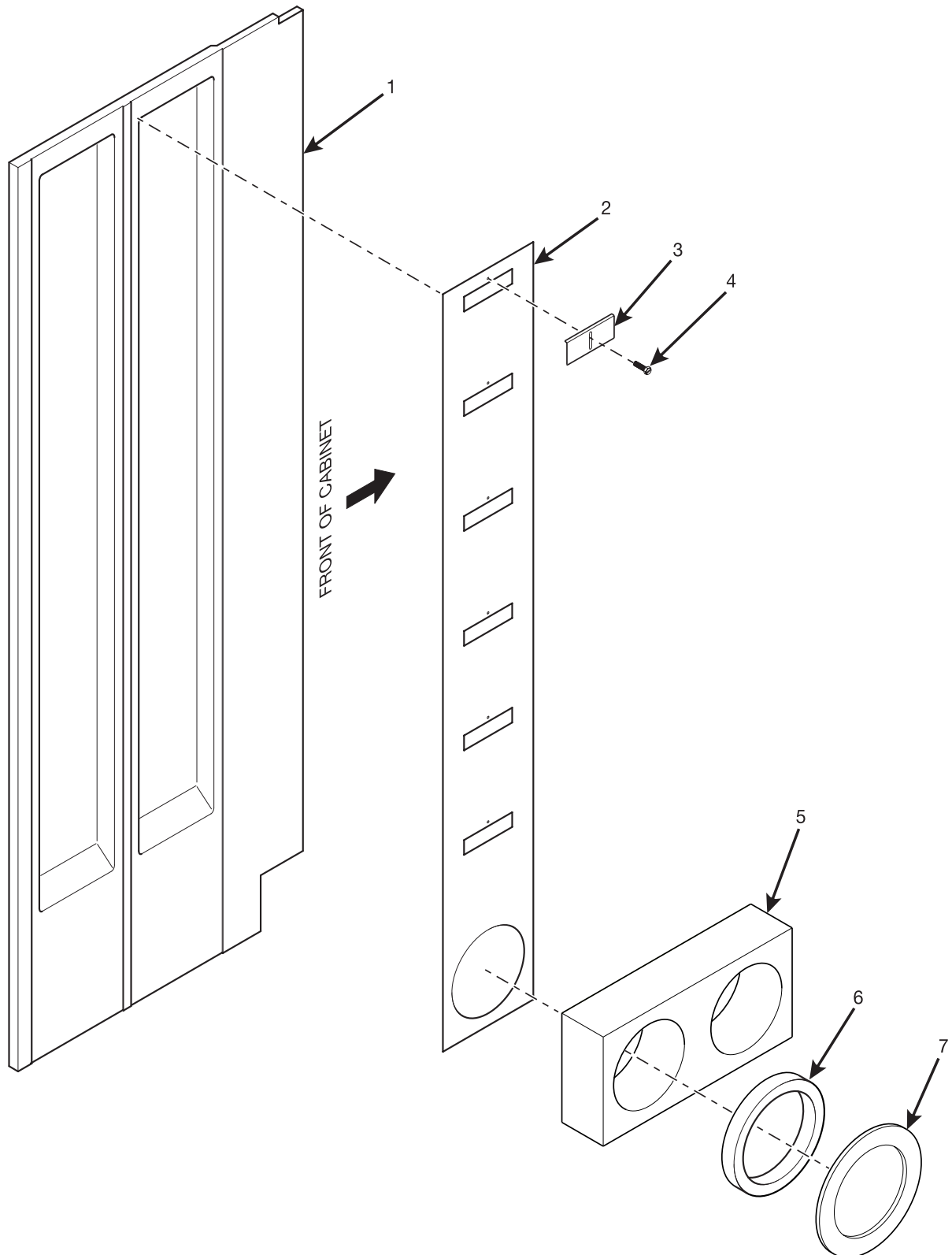
Figure 58. Cabinet Insulation - Model 498 Only (Part 3 of 4)



# Expanded Refreshment Center Parts Manual

TABLE 58. CABINET INSULATION - MODEL 498 ONLY (PART 3 OF 4)

INDEX	PART NUMBER	DESCRIPTION	QTY.
1	4911004	COVER AND DUCT ASSEMBLY - BLACK INSULATION (SEE FIGURE 59 FOR DETAILS)	1
2	4911005	INSULATION - BLACK - LEFT HAND SIDE - FULL	1



ASSEMBLY ROTATED 180° FOR CLARITY

498p0006

Figure 59. Cabinet Insulation - Model 498 Only (Part 4 of 4)





## Expanded Refreshment Center Parts Manual

TABLE 59. CABINET INSULATION - MODEL 498 ONLY (PART 4 OF 4)

INDEX	PART NUMBER	DESCRIPTION	QTY.
-	4911004	COVER AND AIR DUCT ASSEMBLY - BLACK (INCLUDES INDEX NUMBERS 1-6)	-
1	4641054	INSULATION - AIR DUCT - RIGHT SIDE - BLACK	1
2	4641025	COVER - AIR DUCT - BLACK	2
3	4611007	SHUTTER - AIR DUCT	12
4	1451097	SCREW - #8-32 X .31 - HEX HD - T/F - BLACK	12
5	4641059	EXTENSION - AIR DUCT - WHITE	1
6	4614126	GASKET - AIR DUCT	2
7	4981006	GASKET - AIR DUCT - .38 THICK	2
-	4640040	TAPE - FOAM - DOUBLE COATED (FOR ATTACHING INDEX NUMBER 2 TO INDEX NUMBER 1)	20'
-	4640039	ADHESIVE TAPE - ACRYLIC - 3M926 5" WIDE (FOR ATTACHING INDEX NUMBER 5 TO INDEX NUMBER 2)	10'

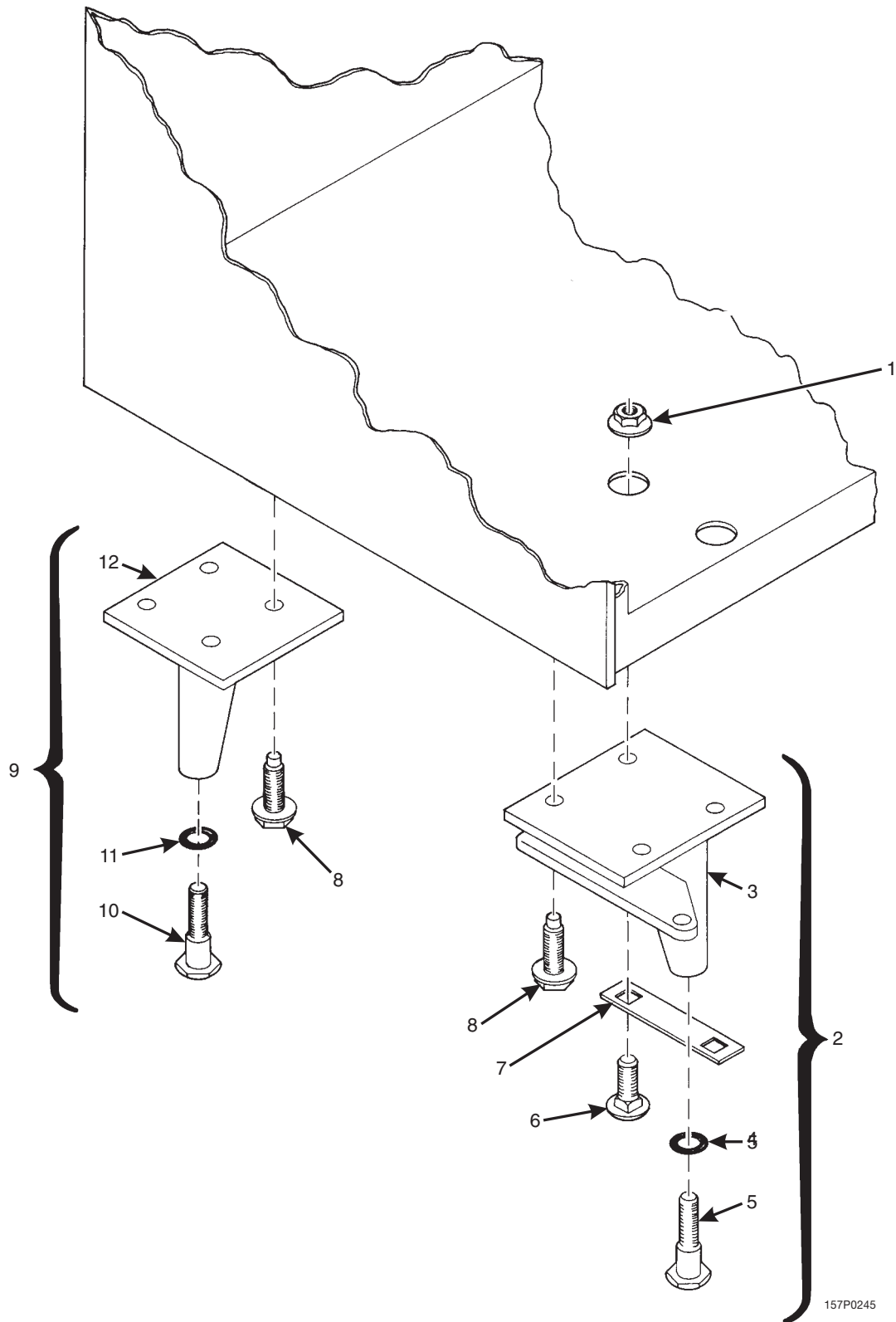


Figure 60. Leg, Leveler, and Leg and Hinge Assemblies



# Expanded Refreshment Center Parts Manual

TABLE 60. LEG, LEVELER, AND LEG AND HINGE ASSEMBLIES

INDEX	PART NUMBER	DESCRIPTION	QTY.
1	1172021	NUT - 1/4-20 WHIZ-LOCK	2
2	6231163	LEG, HINGE, AND LEVELER ASSEMBLY (INCLUDES INDEX NUMBERS 3 THROUGH 5)	1
3	1571115	LEG AND HINGE ASSEMBLY	1
4	1471283	"O" RING - .49 ID X .10 DIA	1
5	1471098	LEVELER - CABINET	1
6	1211112	TRAY BOLT	2
7	6231203	PLATE - HINGE LEG BOLT	1
8	1451093	5/16 - 18 X 1.00 HW TAPTITE	14
9	1471237	LEG AND LEVELER ASSEMBLY - CABINET (INCLUDES INDEX NUMBERS 10 THROUGH 12)	3
10	1471098	LEVELER - CABINET	1
11	1471283	"O" RING - .49 ID X .10 DIA	1
12	1571127	LEG ASSEMBLY - CABINET	1

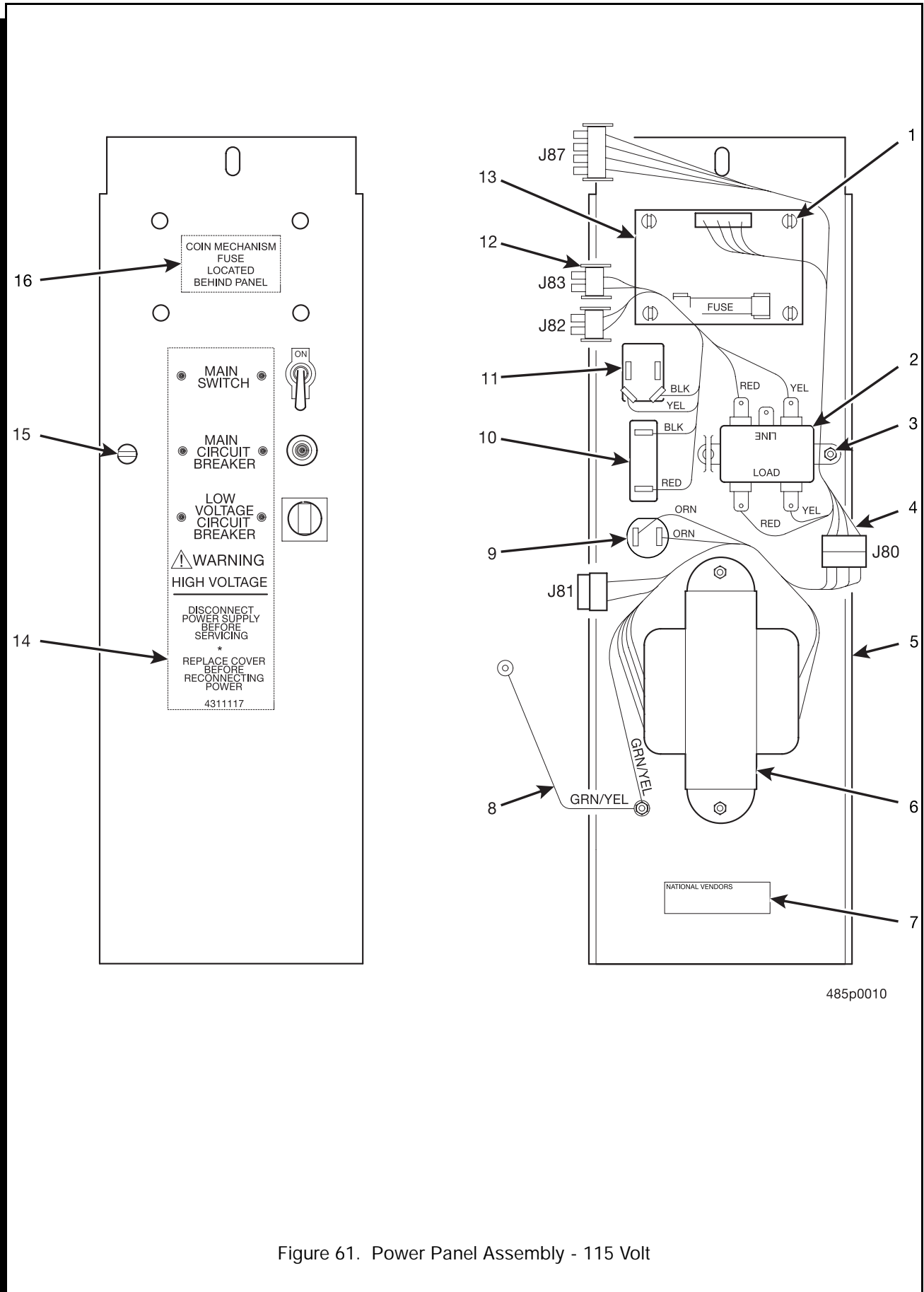


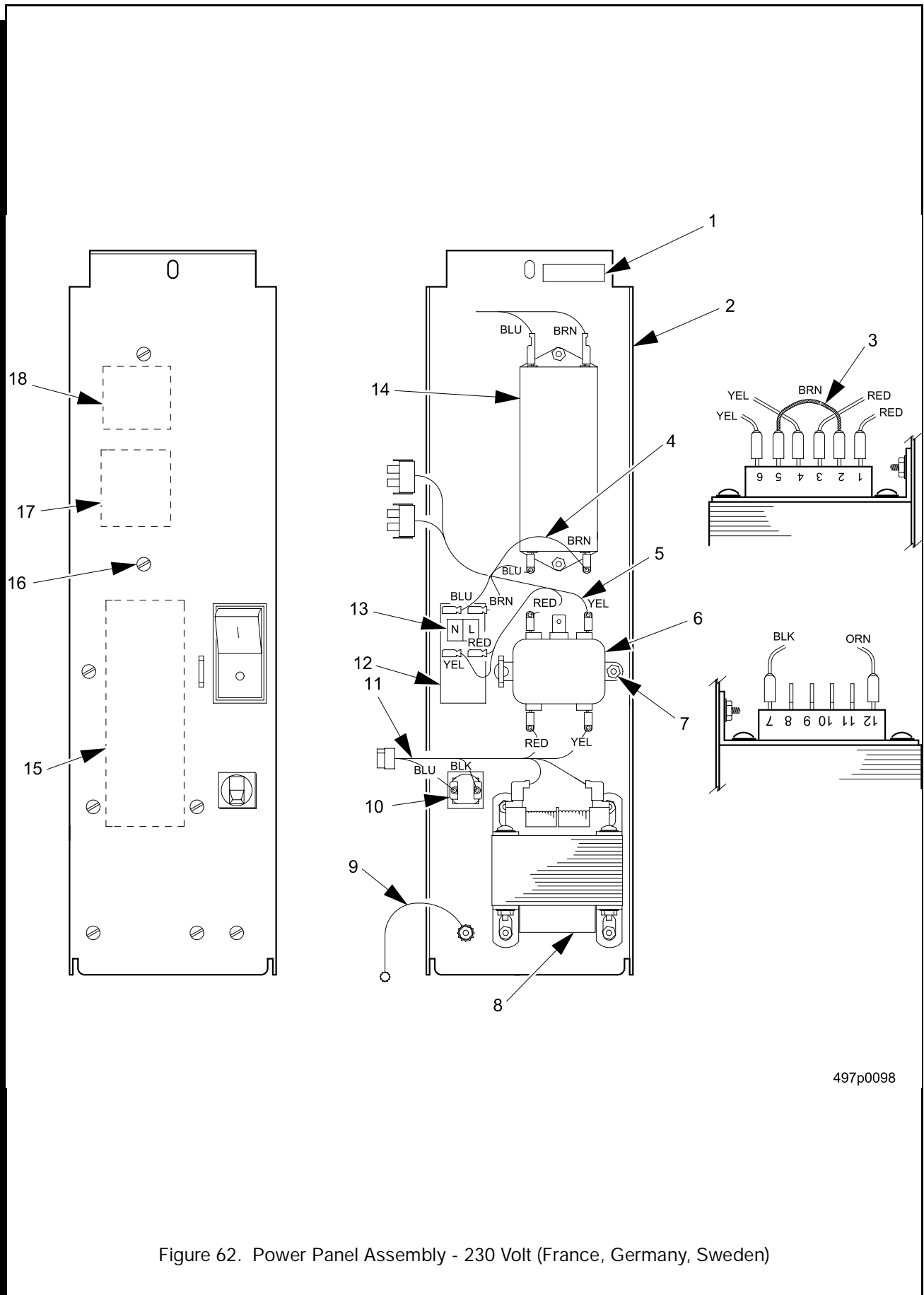
Figure 61. Power Panel Assembly - 115 Volt



# Expanded Refreshment Center Parts Manual

TABLE 61. POWER PANEL ASSEMBLY - 115 VOLT

INDEX	PART NUMBER	DESCRIPTION	QTY.
-	4841012	POWER PANEL ASSEMBLY - DOMESTIC	-
1	1571035	STANDOFF - PCB - 3/8 SNAP LOCK	4
2	9989100	INTERFERENCE FILTER	1
3	9900081	NUT #8-32 KEPS ZINC PLATE	-
4	1579017	HARNESS - COIN HANDLING - POWER	1
5	1571040	PLATE & STUD ASSEMBLY - POWER - DOMESTIC	1
6	9989042	TRANSFORMER - 115V/230V PRIMARY, 24V SECONDARY	1
7	9989369	LABEL - N.V.BLANK	1
8	9984165	JUMPER - GROUND WIRE	1
9	9989336	CIRCUIT BREAKER - 3 AMP	1
10	9989672	CIRCUIT BREAKER - 15A	1
11	9984624	SWITCH - TOGGLE - DPST - 20 AMP	1
12	1579013	HARNESS - POWER PANEL - DOMESTIC	1
13	9989659	PCB ASSEMBLY - DUMB MECH - POWER SUPPLY	1
14	4611117	LABEL - CAUTION - ELECTRICAL CONNECTIONS	1
15	1211110	8-32X1/4 RHS MACHINE SCREW ZP	1
16	1570057	LABEL - COIN MECH. FUSE - ENGLISH	1



497p0098

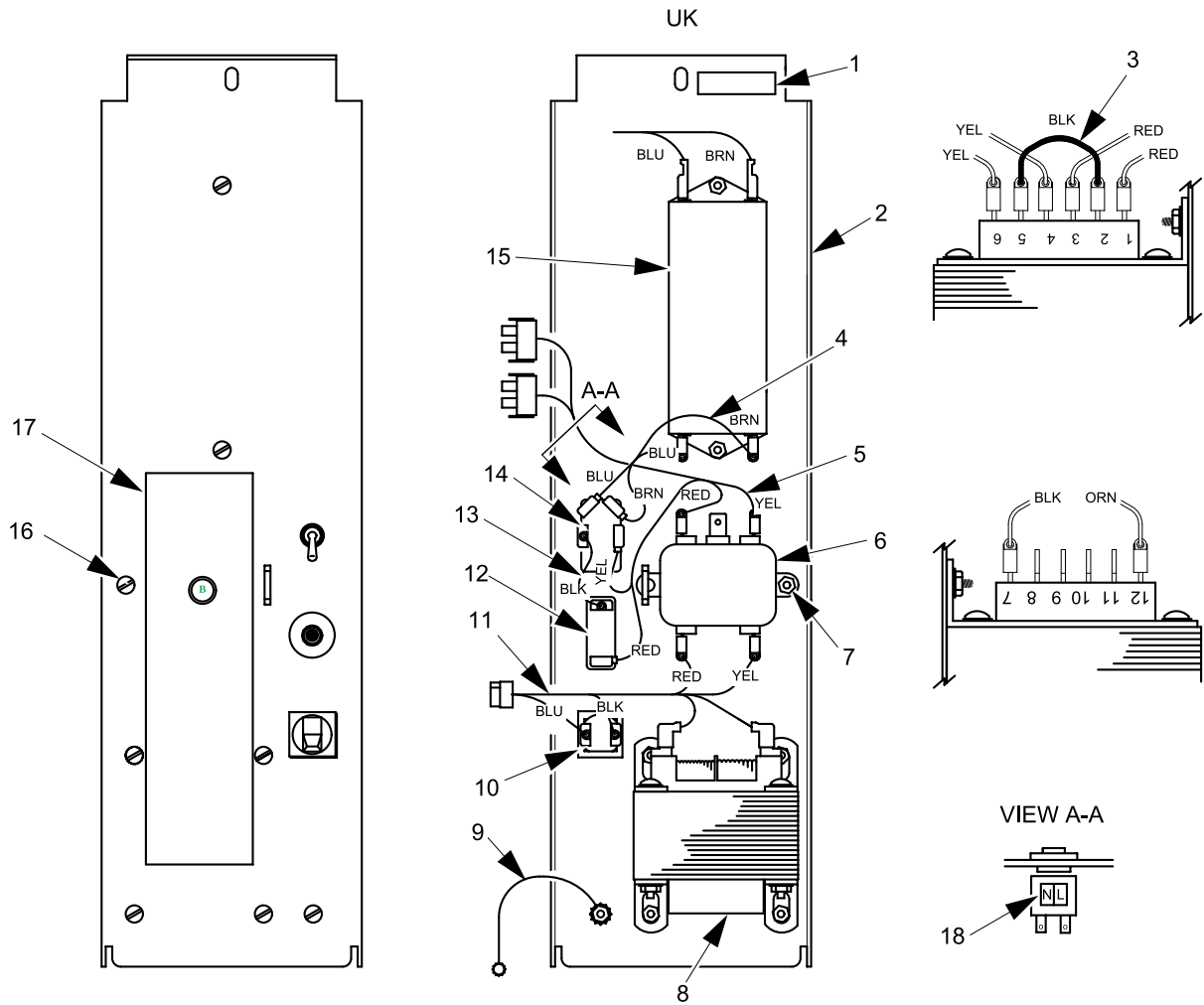
Figure 62. Power Panel Assembly - 230 Volt (France, Germany, Sweden)



# Expanded Refreshment Center Parts Manual

**TABLE 62. POWER PANEL ASSEMBLY - 230 VOLT (FRANCE, GERMANY, SWEDEN)**

INDEX	PART NUMBER	DESCRIPTION	QTY.
-	4521045	POWER PANEL ASSEMBLY - 230 VOLT - GER. FR.	-
1	9989369	LABEL - N.V. - BLANK	1
2	4521036	PLATE - HOUSING - PANEL - FR/GER.	1
3	4279001	JUMPER - 230 V - XFMR PRI	1
4	1709002	JUMPER - MAIN LINE FILTER	1
5	1709000	HARNESS - POWER PANEL - INTERNATIONAL	1
6	9989100	INTERFERENCE FILTER	1
7	9900081	NUT - #8-32 KEPS ZINC PLATE	8
8	9989046	24 V XFMR - DUAL DIR. - .187 TERM.	1
9	9984165	JUMPER - GROUND WIRE	1
10	9989674	CIRCUIT BREAKER - 4 AMP	1
11	1709001	JUMPER - TRANSFORMER - INTERNATIONAL	1
12	9984627	CIRCUIT BREAKER/SWITCH - 16 AMP	1
13	1571100	LABEL - SWITCH - LINE/NEUTRAL	1
14	9989110	FILTER - POWER LINE - EMI	1
15	4311120	LABEL - PWR CONT PNL - 220 V (FRANCE)	1
	4311119	LABEL - PWR CONT PNL - 220 V (GERMANY)	
	1571065	LABEL - PWR CONT PNL - UK (SWEDEN/CHINA)	
16	1211110	8-32 X 1/4 RHS MACH SCR ZP	8
17	6231229	LABEL - WARNING - HIGH VOLTAGE (FRANCE)	1
	6231216	LABEL - WARNING - HIGH VOLTAGE (GERMANY)	
	6231189	LABEL - WARNING - HIGH VOLTAGE - ENGLISH (SWEDEN/CHINA)	
18	9989411	LABEL - CAUTION - ELECT CONN - ENGLISH (FRANCE/GERMANY/SWEDEN)	1



497p0097

Figure 63. Power Panel Assembly - 230 Volt (U.K., China)





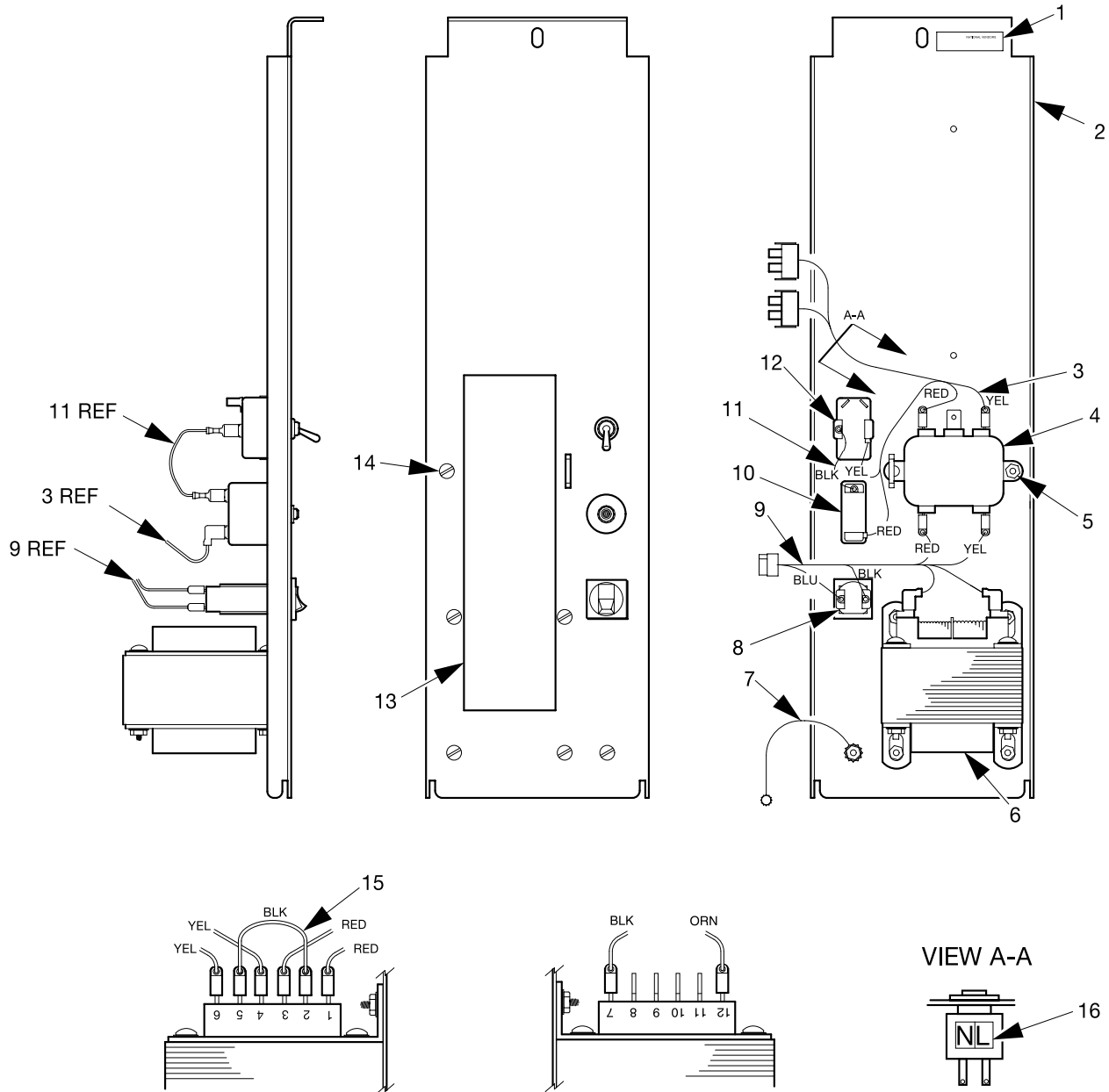
# Expanded Refreshment Center Parts Manual

TABLE 63. POWER PANEL ASSEMBLY - 230 VOLT (U.K., CHINA)

INDEX	PART NUMBER	DESCRIPTION	QTY.
-	4521020	POWER PANEL ASSEMBLY - 230 VOLT - U.K.	-
1	9989369	LABEL - N.V. BLANK	1
2	1701025	PLATE - HOUSING PANEL	1
3	4279001	JUMPER - 230 V - XFRM PRI	1
4	1709002	JUMPER - MAIN LINE FILTER	1
5	1709000	HARNESS - POWER PANEL - INTERNATIONAL	1
6	9989100	INTERFACE FILTER	1
7	9900081	NUT - #8-32 KEPS ZINC PLATE	8
8	9989046	24 V XFMR - DUAL PRI. - .187 TERM.	1
9	9984165	JUMPER - GROUND WIRE	1
10	9989674	CIRCUIT BREAKER - 4 AMP	1
11	1709001	JUMPER - TRANSFORMER - INTERNATIONAL	1
12	9989672	BREAKER - 15 AMP	1
13	1709006	JUMPER - MAIN SWITCH TO BREAKER	1
14	9989629	SWITCH - TOGGLE - DPST - 20 AMP	1
15	9989100	FILTER - POWER LINE - EMI	1
16	1211110	8-32 X 1/4 RHS MACH. SCR. ZP.	8
17	4311117	LABEL - POWER CONT PNL - 115 V - U.S. (U.K.)	1
18	1571100	LABEL - SWITCH - LIINE/NEUTRAL	1



POWER PANEL ASSEMBLY - 230 VOLT



497p0092

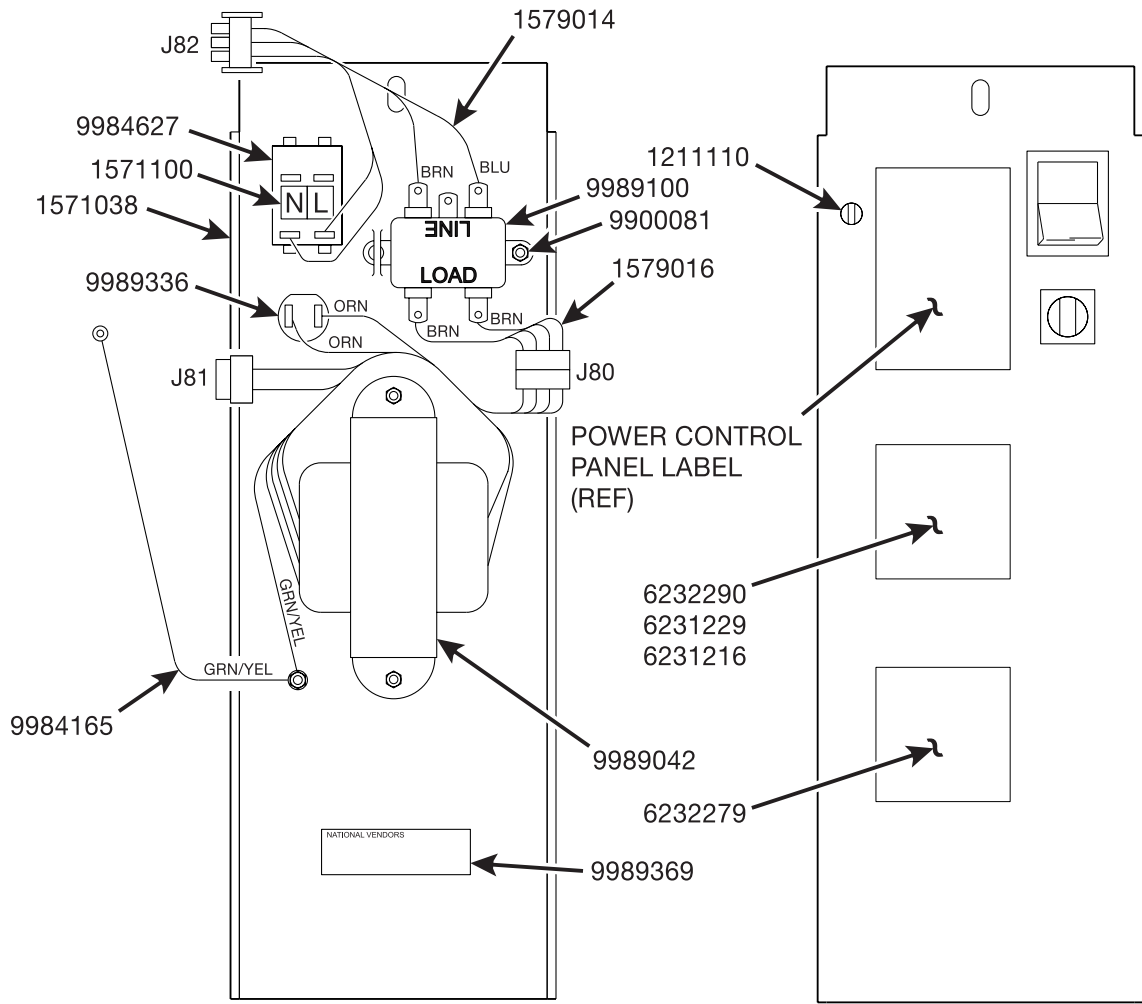
Figure 64. Power Panel Assembly - 230 Volt (N.Z./Arg./Brz./L.A. 230/S.A. 230)



## Expanded Refreshment Center Parts Manual

TABLE 64. POWER PANEL ASSEMBLY - 230 VOLT (N.Z./ARG./BRZ./L.A. 230/S.A. 230)

INDEX	PART NUMBER	DESCRIPTION	QTY.
-	4521020	POWER PANEL ASSEMBLY - 230 VOLT - U.K.	-
1	9989369	LABEL - N.V. BLANK	1
2	1701025	PLATE - HOUSING PANEL	1
3	1709000	HARNESS - POWER PANEL - INTERNATIONAL	1
4	9989100	INTERFACE FILTER	1
5	9900081	NUT - #8-32 KEPS ZINC PLATE	8
6	9989046	24 V XFMR - DUAL PRI. - .187 TERM.	1
7	9984165	JUMPER - GROUND WIRE	1
8	9989674	CIRCUIT BREAKER - 4 AMP	1
9	1709001	JUMPER - TRANSFORMER - INTERNATIONAL	1
10	9989672	BREAKER - 15 AMP	1
11	1709006	JUMPER - MAIN SWITCH TO BREAKER	1
12	9989629	SWITCH - TOGGLE - DPST - 20 AMP	1
13	9989100	FILTER - POWER LINE - EMI	1
14	1211110	8-32 X 1/4 RHS MACH. SCR. ZP.	8
14	4311117	LABEL - POWER CONT PNL - 115 V - U.S. (U.K.)	1
15	4279001	JUMPER - 230 V - XFRM PRI	1
16	1571100	LABEL - SWITCH - LIINE/NEUTRAL	1



498p0003

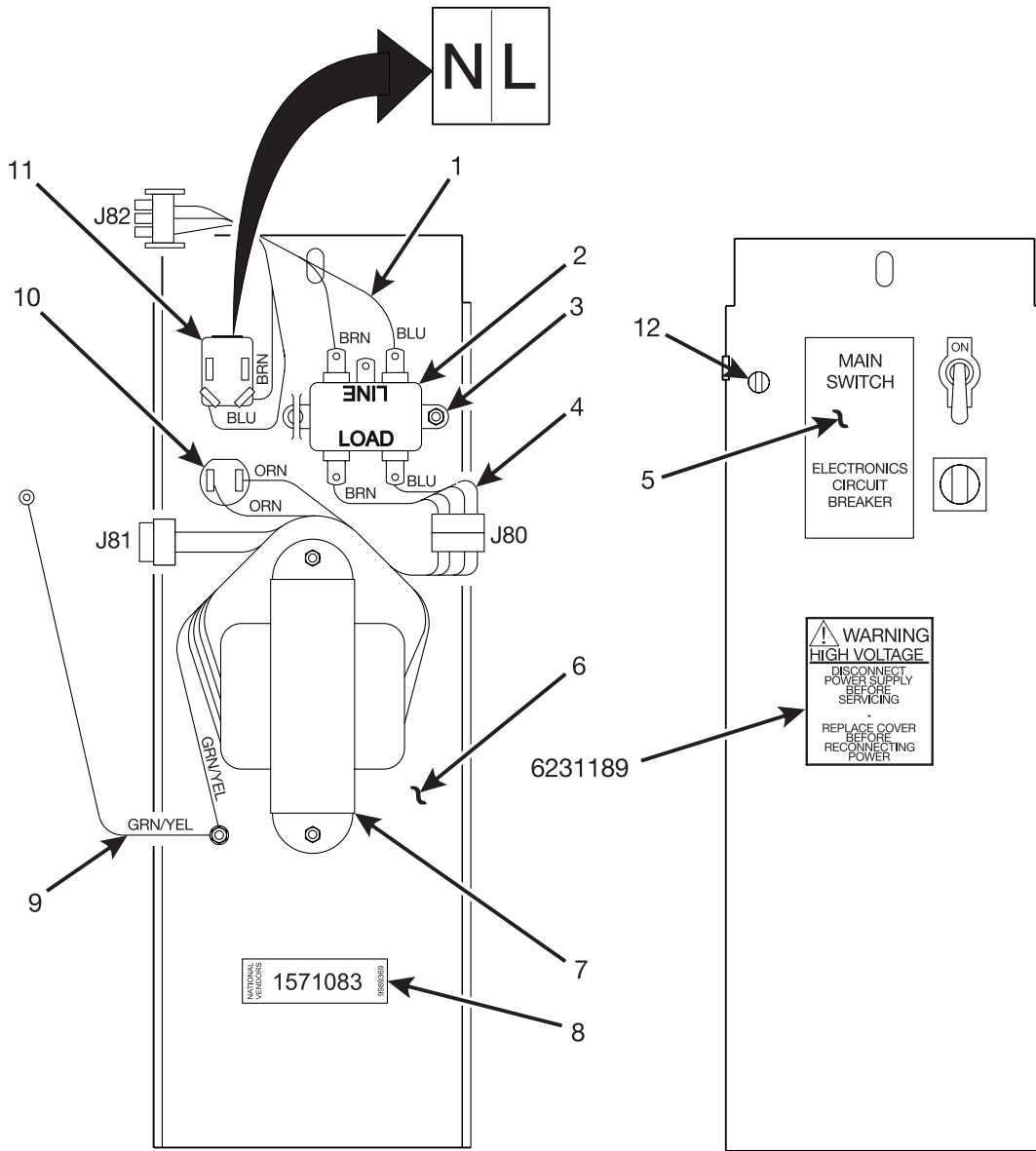
Figure 65. Power Panel Assembly - Arg./Brz./L.A. 230 (Old Style)



# Expanded Refreshment Center Parts Manual

TABLE 65. POWER PANEL ASSEMBLY - ARG./BRZ./L.A. 230 (OLD STYLE)

INDEX	PART NUMBER	DESCRIPTION	QTY.
-	1571084	POWER PANEL ASSEMBLY - GER/FR	-
1	1579014	HARNESS - POWER PANEL - INTERNATIONAL	1
2	1211110	8-32 X 1/4 RHS MACH SCR ZP	1
3	9989100	INTERFERENCE FILTER	1
4	9900081	NUT - #8-32 KEPS ZINC PLATE	4
5	1579016	JUMPER - TRANSFORMER - INTERNATIONAL	1
6	4311121	LABEL - POWER CONTROL PANEL - 220 V - SPANISH	1
7	6232290	LABEN - WARNING - HI VOLTAGE - SPANISH	1
8	9989042	TRANSFORMER - 115 V/230 V PRIMARY 24 V SECONDARY	1
9	6232279	LABEL - CAUTION - ELEC. CONN - SPANISH	1
10	9989369	LABEL - NV BLANK	1
11	9984165	JUMPER - GROUND WIRE	1
12	9989336	CIRCUIT BREAKER - 3 AMP	1
13	1571038	PLATE AND STUD ASSEMBLY - POWER - GER/FR	1
14	1571100	LABEL - SWITCH - LINE NEUTRAL	1
15	9984627	CIRCUIT BREAKER/SWITCH - 16 AMP	1



498p0004

Figure 66. Power Panel Assembly - Aus./N./Z. (Old Style)



# Expanded Refreshment Center Parts Manual

TABLE 66. POWER PANEL ASSEMBLY - AUS./N./Z. (OLD STYLE)

INDEX	PART NUMBER	DESCRIPTION	QTY.
-	1571083	POWER PANEL ASSEMBLY - U.K.	-
1	1579014	HARNESS - POWER PANEL - INTERNATIONAL	1
2	9989100	INTERFERENCE FILTER	1
3	9900081	NUT - #8-32 KEPS ZINC PLATE	4
4	1579016	JUMPER - TRANSFORMER - INTERNATIONAL	1
5	1571065	LABEL - POWER CONTROL PANEL	1
6	1571048	PLATE AND STUD ASSEMBLY - POWER - U.K.	1
7	9989042	TRANSFORMER - 115V/230V PRIMARY, 24 V SECONDARY	1
8	9989369	LABEL - N.V. - BLANK	1
9	9984165	JUMPER - GROUND WIRE	1
10	9989336	CIRCUIT BREAKER - 3 AMP	1
11	9984629	SWITCH - DPST - TOGGLE - 20 AMP	1
12	1211110	#8-32 X 1/4 RHS MACH SCREW - ZINC PLATE	1
-	6231189	LABEL - WARNING - HIGH VOLTAGE	1

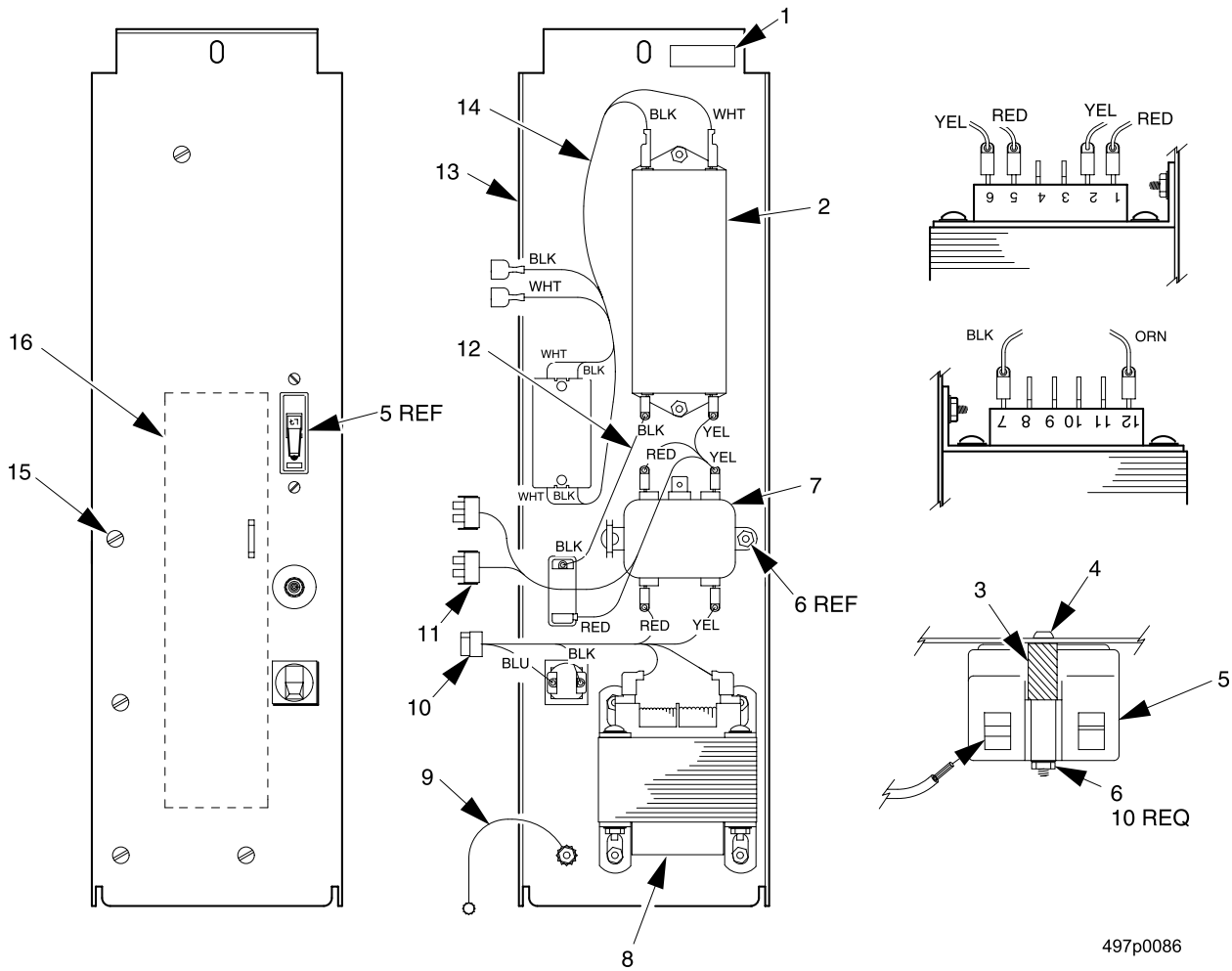


Figure 67. Power Panel Assembly - 100 Volt - 50/60 Hz. (Japan)

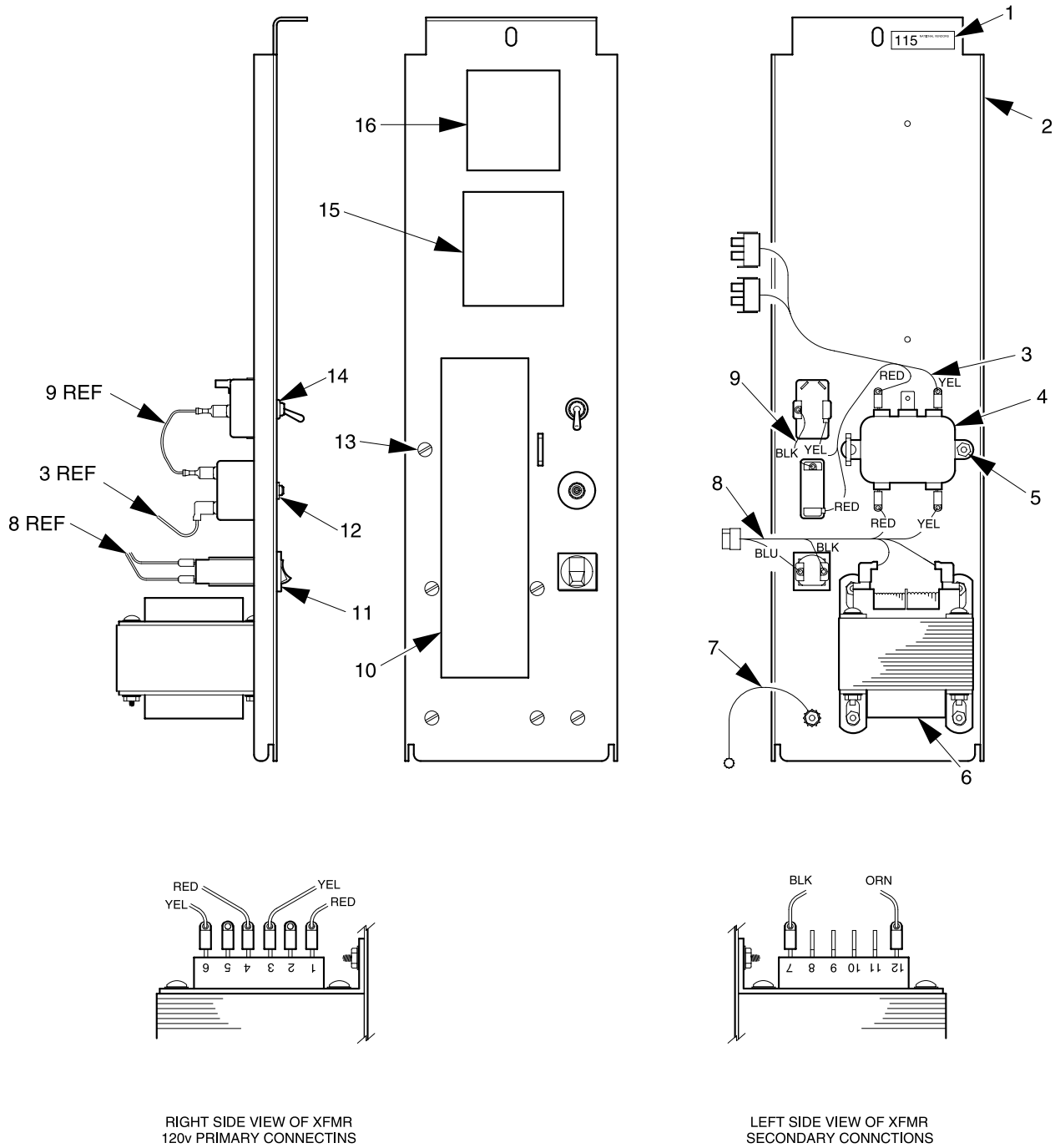




## Expanded Refreshment Center Parts Manual

TABLE 67. POWER PANEL ASSEMBLY - 100 VOLT - 50/60 HZ. (JAPAN)

INDEX	PART NUMBER	DESCRIPTION	QTY.
-	1571203	POWER PANEL ASSEMBLY - 100 VOLT - 50/60 HZ	-
1	9989369	LABEL - N.V. BLANK	1
2	9989110	FILTER - POWER LINE - EMI	1
3	9989541	SPACER - .171 ID X .312 OD X .87 5 LG.	2
4	4301276	SCREW - #8-32 X 1.75 PHS	2
5	9989529	LEAKAGE CURRENT BREAKER	1
6	9900081	NUT - #8-32 KEPS ZINC PLATE	10
7	9989100	INTERFACE FILTER	1
8	9989046	24 V TRANSFORMER - DUAL POWER - .187 TERM.	1
9	9984165	JUMPER - GROUND WIRE	1
10	1709001	JUMPER - TRANSFORMER - INTERNATIONAL	1
11	1709000	HARNESS - POWER PANEL - INTERNATIONAL	1
12	1709006	JUMPER - MAIN SWITCH TO BREAKER	1
13	1571204	PLATE - HOUSING - PANEL - JAPANESE	1
14	1579051	JUMPER - GFI & FILTER	1
15	1211110	8-32 X 1/4 RHS MACH SCR ZP	5
16	1577041	LABEL - POWER PANEL - JAPAN	1



497p0091

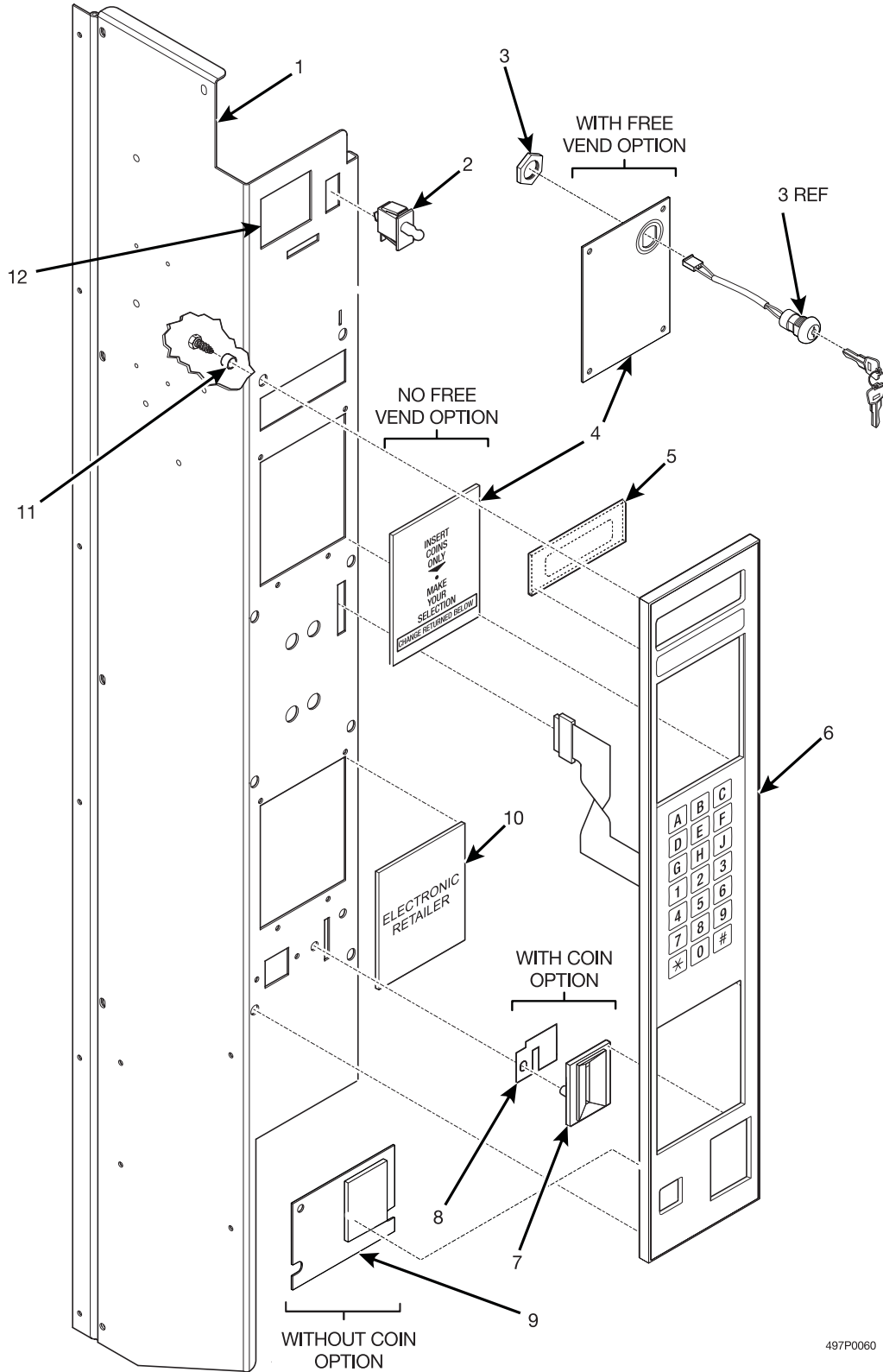
Figure 68. Power Panel Assembly (Mexico)



# Expanded Refreshment Center Parts Manual

TABLE 68. POWER PANEL ASSEMBLY (MEXICO)

INDEX	PART NUMBER	DESCRIPTION	QTY.
-	1701015	POWER PANEL ASSEMBLY (MEXICO)	-
1	4311117	LABEL - POWER CONTROL PANEL - 115V - U.S.	1
2	1701025	PLATE - HOUSING - PANEL	1
3	1709000	HARNESS - POWER PANEL - INTERNATIONAL	1
4	9989100	INTERFERENCE FILTER	1
5	9900081	NUT - #8-32 KEPS ZINC PLATE	-
6	9989046	24V TRANSFORMER - DUAL PRIMARY - .187 TERM	1
7	9984165	JUMPER - GROUND WIRE	
8	1709001	JUMPER - TRANSFORMER - INTERNATIONAL	1
9	1709006	JUMPER - MAIN SWITCH TO BREAKER	1
10	1571128	LABEL - POWER CONTROL PANEL - SPANISH	1
11	9989674	CIRCUIT BREAKER - 4 AMP	1
12	9989672	BREAKER - 15A	1
13	1211110	8-32 X 1/4 RHS MACH SCR ZP	6
14	9984629	SWITCH - TOGGLE - DPST - 20AMP	1
15	6232279	LABEL - CAUTION - ELEC. CONN. - SPANISH	1
16	6232290	LABEL - WIRING - HI VOLTAGE - SPANISH	1



497P0060

Figure 69. Monetary Panel Assembly (Part 1 of 3)



# Expanded Refreshment Center Parts Manual

TABLE 69. MONETARY PANEL ASSEMBLY (PART 10F 3)

INDEX	PART NUMBER	DESCRIPTION	QTY.
1	1575068	MONETARY PANEL WELD ASSEMBLY	1
2	1401110	SWITCH	1
3	9989639	SWITCH ASSEMBLY - FREE VEND (FREE VEND OPTION ONLY)	1
4	-	UPPER MONETARY POSITION (SEE FIGURE 72 FOR DETAILS)	OPT.
5	1572013	LENS - DISPLAY	-
6	1575074	FACE PLATE ASSEMBLY - WITH COIN OPTION	1
	1575075	FACE PLATE ASSEMBLY - NO COIN OPTION	
7	1472223	COIN INSERT - WITH COIN OPTION	1
8	1575044	COVER PLATE ASSEMBLY - NO COIN OPTION	OPT.
9	-	LOWER MONETARY POSITION (SEE FIGURE 73 FOR DETAILS)	OPT.
10	2302053	CUP SPACER	-
11	1571206	LABEL - NOTICE - TRAY REMOVAL - ENGLISH	1
	1571207	LABEL - NOTICE - TRAY REMOVAL - GERMAN	
	1571208	LABEL - NOTICE - TRAY REMOVAL - FRENCH	
	1571209	LABEL - NOTICE - TRAY REMOVAL - SPANISH	

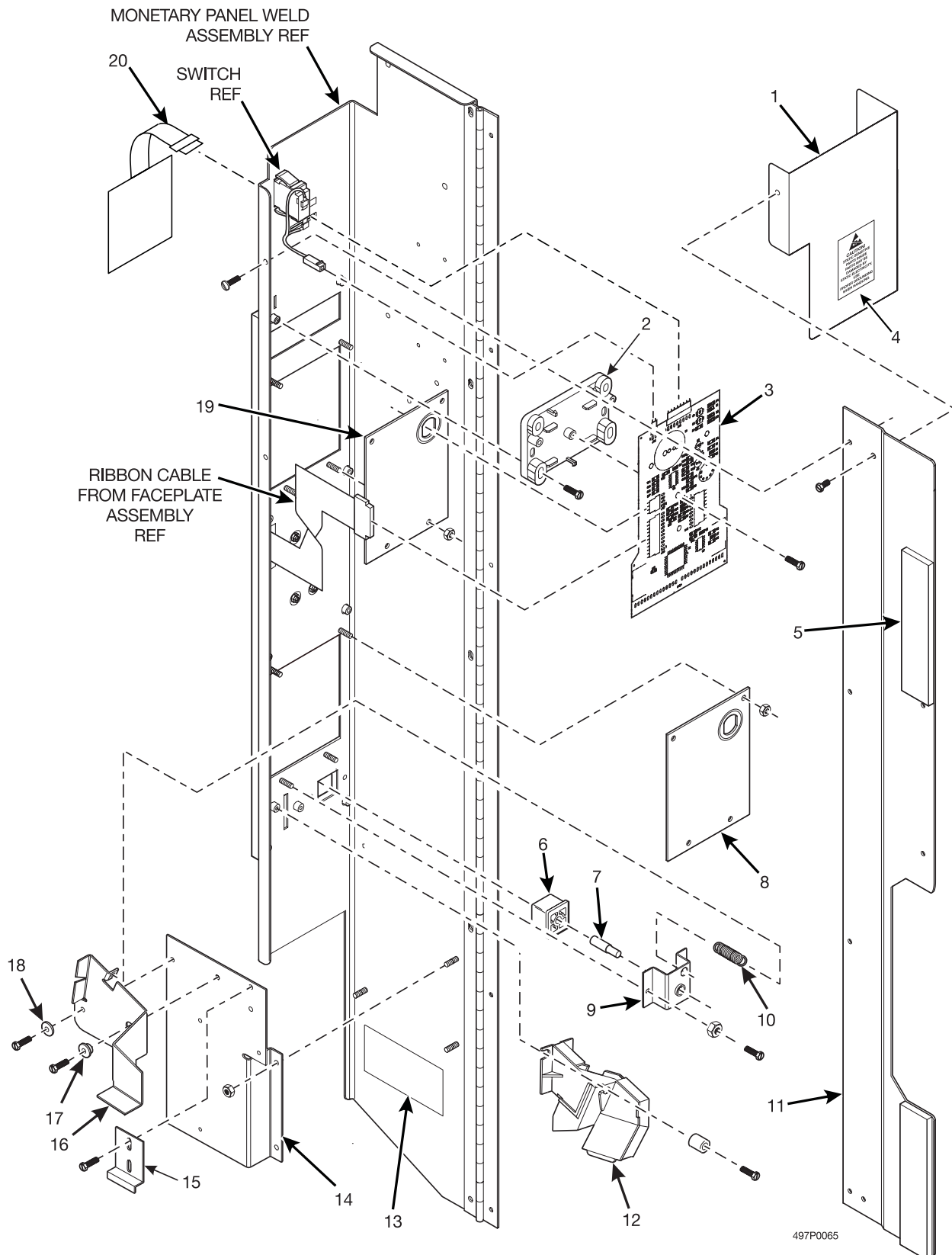


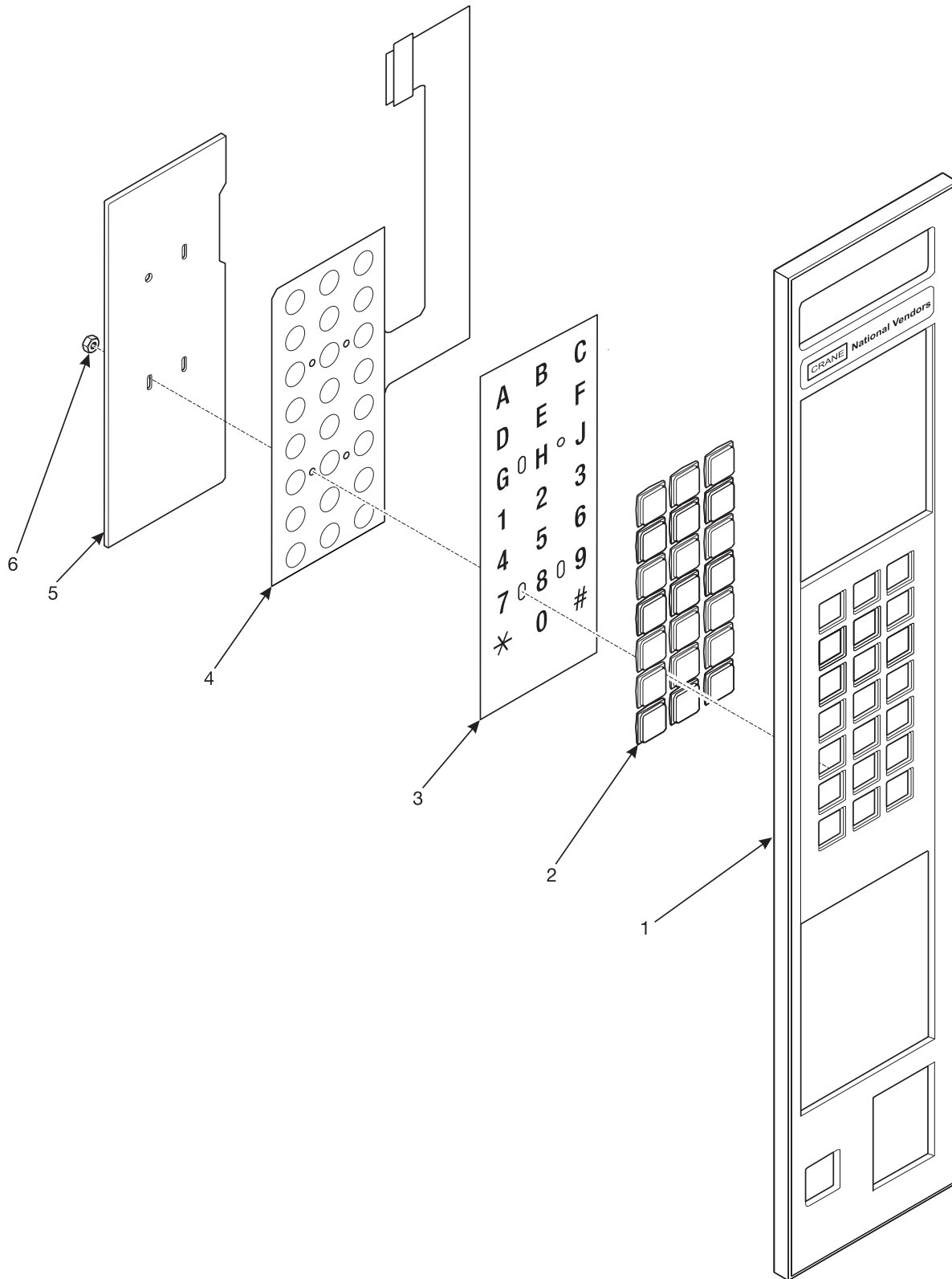
Figure 70. Monetary Panel Assembly (Part 2 of 3)



# Expanded Refreshment Center Parts Manual

**TABLE 70. MONETARY PANEL ASSEMBLY (PART 2 OF 3)**

INDEX	PART NUMBER	DESCRIPTION	QTY.
1	1595029	COVER - DISPLAY	1
2	1475099	BRACKET - PCB DISPLAY	1
3	9989685	PCB ASSEMBLY - DISPLAY	1
4	1571154	LABEL - CAUTION - STATIC/ELECT CONNECTION - ENGLISH (CHN./U.S.)	1
	6232279	LABEL - CAUTION - STATIC/ELECT CONNECTION - SPANISH	
	6232291	LABEL - CAUTION - STATIC - SPANISH	
	6231219	LABEL - CAUTION - STATIC/ELECT CONNECTION - FRENCH	
	6232518	LABEL - CAUTION - STATIC/ELECT CONNECTION - GERMAN	
5	3122056	MAGNET - COIN CHANGER RETAINER	2
6	1475072	SHAFT - RETURN BUTTON	1
7	1475072	SHAFT - RETURN BUTTON	1
8	1575048	PLATE - INSERT BACKING - LOWER POSITION (SEE FIGURE 73 FOR DETAILS)	-
9	1571079	BRACKET - COIN RETURN BUTTON	1
10	1127808	SPRING - SHELF RESET	1
11	1575057	PLATE - MAGNET MOUNTING	1
12	1575003	COIN CHUTE ASSEMBLY	1
13	1570123	LABEL - COIN MECHANISM - 120 V	1
14	1571078	BRACKET - COIN MECHANISM	1
15	6231037	CLAMP - CABLE	1
16	1571113	ARM - SCAVENGER	1
17	2228011	SPACER - RELEASE ARM	1
18	2204093	WASHER - SCAVENGER BAR	1
19	1575048	PLATE - INSERT BACKING - UPPER POSITION (SEE FIGURE 72 FOR DETAILS)	-
20	6335002	SERVICE KEYPAD ASSEMBLY	1
-	6335001	LABEL - SERVICE KEYPAD - EMBOSSED (PART OF INDEX NUMBER 19) (NOT SHOWN)	1



639p0075

Figure 71 Monetary Panel Assembly (Part 3 of 3)





# Expanded Refreshment Center Parts Manual

TABLE 71. MONETARY PANEL ASSEMBLY (PART 3 OF 3)

INDEX	PART NUMBER	DESCRIPTION	QTY
-	1575074	FACE PLATE ASSEMBLY - WITH COIN	-
	1575075	FACEPLATE ASSEMBLY - NO COIN	
1	1575001	SELECTION PANEL (WITH COIN OPTION)	1
	1575043	FACE PLATE ASSEMBLY (NO COIN OPTION)	
2	1472251	LENS - PUSHBUTTON	21
3	1575010	LETTER SHEET - SELECTION SWITCH	1
4	9984630	MEMBRANE SWITCH ASSEMBLY -SELECT	1
5	1571009	PLATE - SELECT SWITCH - BACK UP	1
6	1475089	1/8" NUT - SELF-THREADING	4



INSERT  
COINS  
ONLY  
▼  
MAKE  
YOUR  
SELECTION  
**CHANGE RETURNED BELOW**

COINS  
&  
BILLS:  
**U.S.,  
CHINA,  
SAUDI  
ARABIA**

1575012

INTRODUZCA  
MONEDAS O  
BILLETES  
▼  
HAGA SU  
SELECCIÓN  
**CAMBIO DEVUELTO ABAJO**

COINS  
&  
BILLS:  
**SPANISH  
LANGUAGE**

1575018

INSERT  
COINS  
ONLY  
▼  
MAKE  
YOUR  
SELECTION  
**CHANGE RETURNED BELOW**

COINS  
ONLY:  
**U.S.,  
AUSTRALIA,  
NEW ZEALAND,  
U.K.,  
SINGAPORE**

1575013

INSEREZ  
VOTRE  
MONNAIE  
•  
FAITES  
VOTRE  
CHOIX  
•  
RENDU MONNAIE  
CI-DESSOUS

COINS  
ONLY:  
**FRANCE**

1572015

låg mynt  
▼  
Välj produkt  
**Växel i retur skål**

COINS  
ONLY:  
**SWEDEN**

1575052

INTRODUCIR  
MONEDAS  
UNICAMENTE  
▼  
HAGA  
SU  
SELECCIONE  
**Devolucion / Cambio**  
En La Parte Inferior

COINS  
ONLY:  
**SPANISH  
LANGUAGE**

1575014

DEPOSITE  
EL  
DINERO  
•  
SELECCIONE  
EL  
PRODUCTO  
•  
RECOJA  
EL CAMBIO

COINS  
ONLY:  
**LATIN  
AMERICA,  
ARGENTINA,  
MEXICO**

1575015

GELD  
INWERPEN  
•  
MAAK  
UW  
KEUSE  
**GELDERUGGAVE HIERONDER**

COINS  
ONLY:  
**BELGIUM**

1575082

ご利用方法  
1. 両料の機内を通り抜けて下さい。  
2. 両料を下向きに入れ込んで下さい。  
3. 両料の両面を両方のボタン（プルアップボタン）を押して下さい。  
4. 下の機内を押しして両料を回収して下さい。  
5. 両料・両料は下のコイン機内から回収して下さい。  
6. 両料は回収機内へ戻します。

COINS  
ONLY:  
**JAPAN**

1575066

AUTOMATEN  
VERKAUF  
  
0,10 0,50  
1 DM 2DM 5DM

COINS  
ONLY:  
**GERMANY**

1575038

INTRODUZCA  
BILLETES  
▼  
HAGA SU  
SELECCIÓN

BILLS  
ONLY:  
**VENEZUELA**

1575017

INSERT  
BILLS  
▼  
MAKE  
YOUR  
SELECTION

BILLS  
ONLY:  
**KUWAIT**

1575020

INSERT  
500 LIVRES  
OR  
1000 LIVRES  
NOTES ONLY  
▼  
MAKE  
YOUR  
SELECTION  
**PLEASE USE EXACT AMOUNT ONLY**

BILLS  
ONLY:  
**LEBANON**

1575021

INSTRUÇÕES  
  
INTRODUZA  
SOMENTE  
FICHAS

NO  
VALIDATOR;  
TOKENS:  
**BRAZIL**

1575016

497P0100

Figure 72. Monetary Inserts - Upper Position



# Expanded Refreshment Center Parts Manual

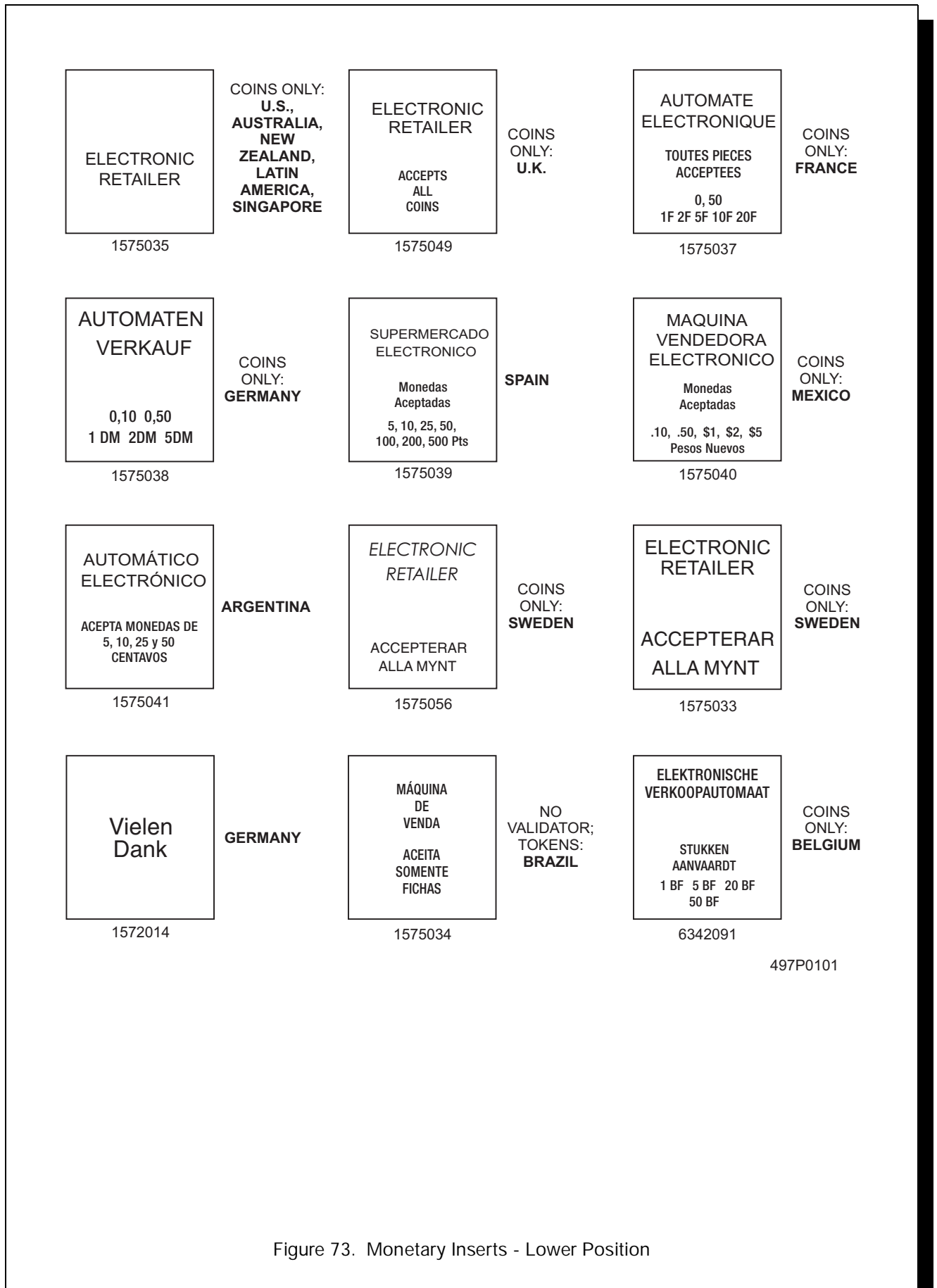
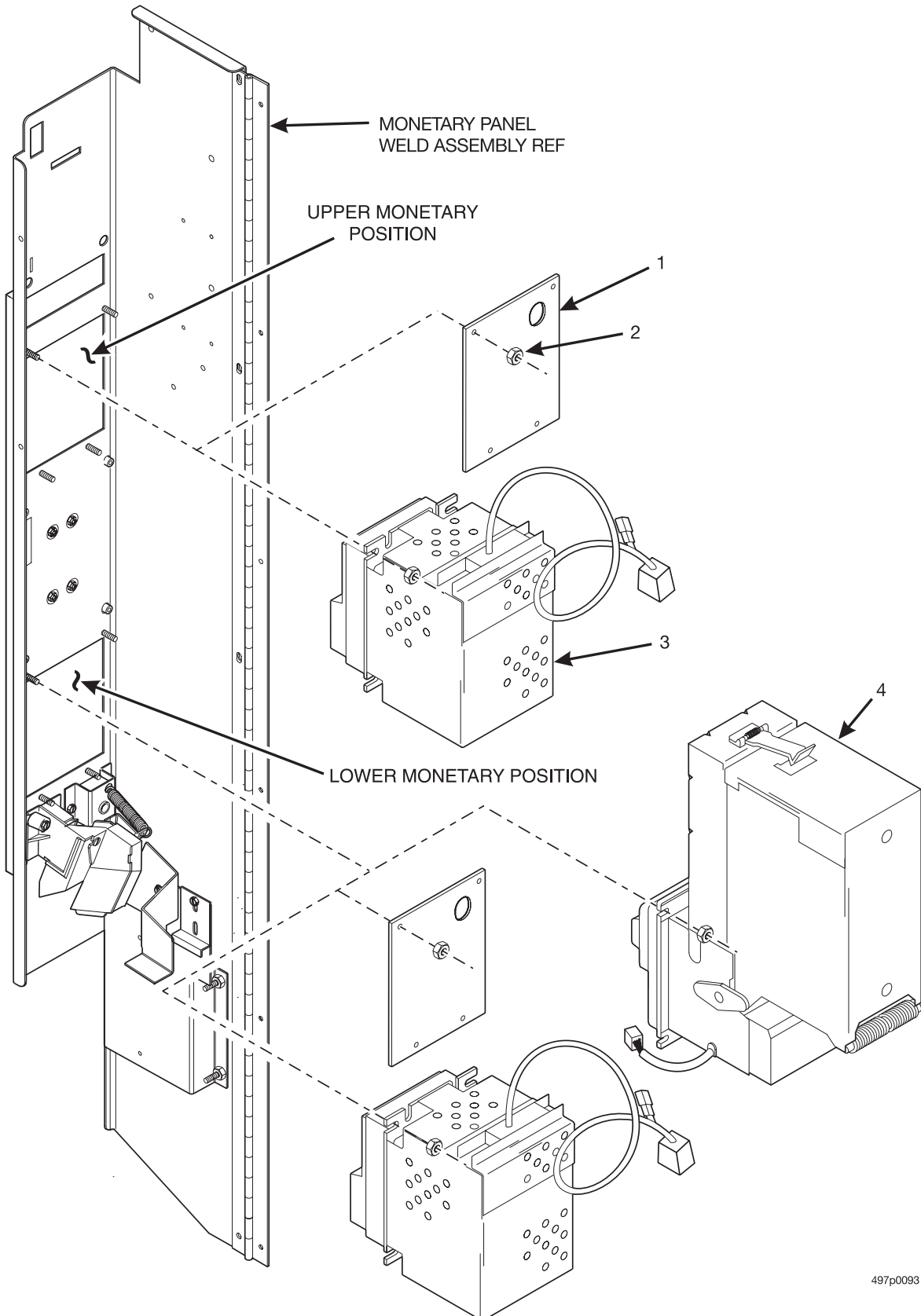


Figure 73. Monetary Inserts - Lower Position



497p0093

Figure 74. Card Reader and Bill Validator Combinations



# Expanded Refreshment Center Parts Manual

**TABLE 74. CARD READER AND BILL VALIDATOR COMBINATIONS**

INDEX	PART NUMBER	DESCRIPTION
1	1575048	INSTRUCTION INSERT BACKING PLATE
2	9900081	NUT
3	-	DEBIT CARD READER (SEE TABLE 75 FOR DETAILS)
4	-	UPSTACK BILL VALIDATOR (SEE TABLE 75 FOR DETAILS)

**TABLE 75. MONETARY LOCATION OPTIONS**

MONETARY CAPABILITY	MONETARY PANEL LOCATION		WITH COIN?
	UPPER	LOWER	
COIN - VAL - CARD	CARD READER	UPSTACK VALIDATOR	YES
COIN - VAL	INSERT INSTRUCTIONS BACK-UP PLATE (1575048)	UPSTACK VALIDATOR	YES
COIN - CARD	INSERT INSTRUCTIONS BACK-UP PLATE (1575048)	CARD READER	YES
COIN - CARD	CARD READER	INSERT INSTRUCTIONS BACK-UP PLATE (1575048)	YES
VAL - CARD	CARD READER	UPSTACK VALIDATOR	NO
COIN ONLY	INSERT INSTRUCTIONS BACK-UP PLATE (1575048)	INSERT INSTRUCTIONS BACK-UP PLATE (1575048)	YES
VAL ONLY	INSERT INSTRUCTIONS BACK-UP PLATE (1575048)	UPSTACK VALIDATOR	NO
CARD ONLY	CARD READER	INSERT INSTRUCTIONS BACK-UP PLATE (1575048)	NO
CARD ONLY	INSERT INSTRUCTIONS BACK-UP PLATE (1575048)	CARD READER	NO



**TABLE 76. COIN MECHANISM OPTIONS**

PART NUMBER	DESCRIPTION
1600851	MARS CASH FLOW - MDB - CHINA
5307321	COINTRON 3000 - US COIN VAL
5900094	COINCO 9300L COIN UNIT
5900096	COINCO 9340L COIN UNIT
5900112	MARS MC5000 COIN UNIT
5900116	MARS TRC6000 COIN UNIT
5900192	COIN UNIT - CONLUX USLX 00401F
5900209	COIN UNIT - CONLUX - USLZ - 001 - MDB
5900213	COIN UNIT - COINCO - 9302 - GX - MDB
5900214	COIN UNIT - MARS - VN 4510 - MDB
5900216	COIN UNIT - MARS - VN 4000, 110V
5900217	COIN UNIT - MARS - VN 4010 XV - 24V
5900222	COIN UNIT - MARS - TRC 6000 - ASV
5900237	COIN UNIT - CONLUX USLX - 001 120V
5900240	COIN UNIT - C.F. MDB - CUSTOMER SUPPLIED
5900242	COIN UNIT - CASH FLOW - CHINA - MDB
5900243	COIN UNIT - TRC 6512 MDB - 1195500
5900244	COIN UNIT - COINCO - USD - G701 - MDB
6400002	COIN CHANGER - MARS #TRC 6010XV
6400003	COIN CHANGER - COINCO # 9302LF-24



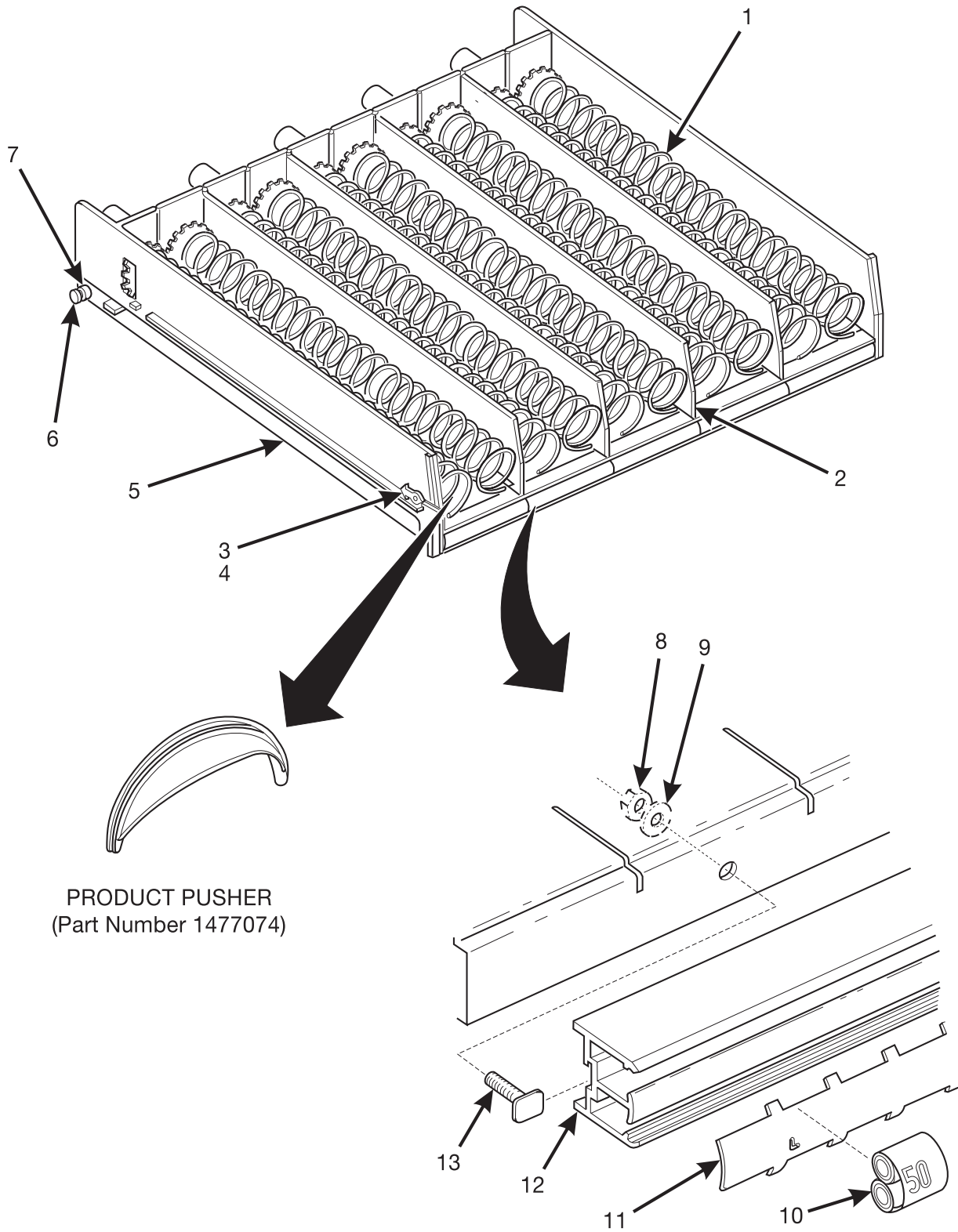
# Expanded Refreshment Center Parts Manual

**TABLE 77. BILL VALIDATOR OPTIONS**

PART NUMBER	DESCRIPTION	USE WITH HARNESS PART NUMBER
5900198	VALIDATOR - MARS - S2000 - VN 2311 - U5E	1579005
5900182	VALIDATOR - COINCO - BA305A	1579028
5900193	VALIDATOR - MARS - S2000 - VN 2511 - U5E - CN5	
5900233	VALIDATOR - CONLUX MKA 2152-12B 120V	
5900245	STACKER - CASH CODE - 400 BILL CAPACITY - WITH LOCK (CHINA)	-
5900205	VALIDATOR - MARS - VN2512-U5E - 24V	1579032 (HARNESS) 9989718 (JUMPER)
5900221	VALIDATOR - COINCO - BA32SA - 24V	
5900234	VALIDATOR - CONLUX - 2162 - 24V - 300	
1475053	VALIDATOR - MAKA - NB - 1KB - 400 WITH MASK "K" INSTALLED	1579006
<b>MDB VALIDATOR OPTIONS</b>		
5900182	VALIDATOR - COINCO - BA 30SA	1579034
5900210	VALIDATOR - MARS - VN 2512 - USM/500 - MDB	-
5900234	VALIDATOR - CONLUX - 2162 - 24V - 300	1579050
5900242	VALIDATOR - CASH CODE - CHINA - MDB	-

**TABLE 78. CARD READER OPTIONS**

PART NUMBER	DESCRIPTION
1475107	DEBITEK #VIS-MM-NAT SYSTEM III
1575050	BRACKET - DEBITEK CONTROLLER



497p0078

Figure 79. Snack Tray Assembly (Part 1 of 2)





# Expanded Refreshment Center Parts Manual

TABLE 79. SNACK TRAY ASSEMBLY (PART 1 OF 2)

INDEX	PART NUMBER	DESCRIPTION	QTY.
-	1597001	TRAY ASSEMBLY - 5 SNACK	1
1	-	SPIRAL (OPTIONAL) (SEE TABLE 85 FOR DETAILS)	-
2	1477175	WALL - TRAY	4
3	1477017	LATCH	2
4	5201267	PUSH ON RETAINER - .312	2
5	1577040	TRAY - 5 & 10 DIVISION	1
6	1477097	AXLE - TRAY ROLLER	2
7	1477148	ROLLER - TRAY	2
8	9900030	NUT #8-32 SELF-LOCKING	3
9	5560113	WASHER - HOPPER RELEASE	3
10	1477014	ROLL - PRICE - CENTS	5
11	1477157	HOLDER - PRICE & SELECTION	1
12	1477134	RAIL - PRICE & SELECTION	1
13	2222031	TEE BOLT - TRIM	3

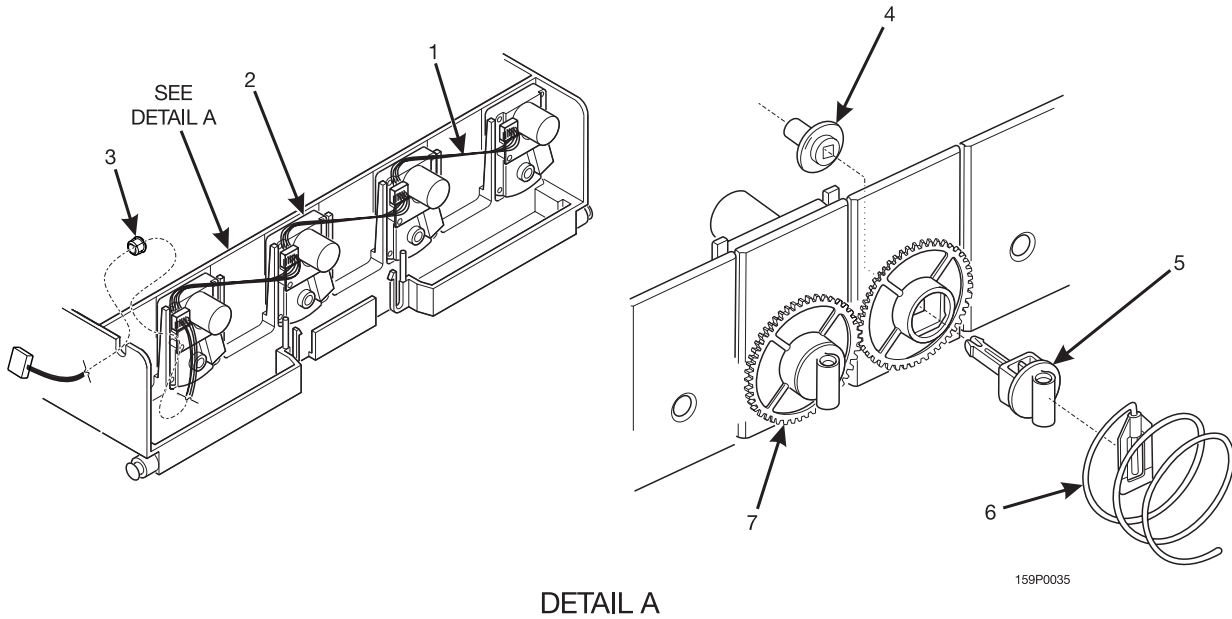


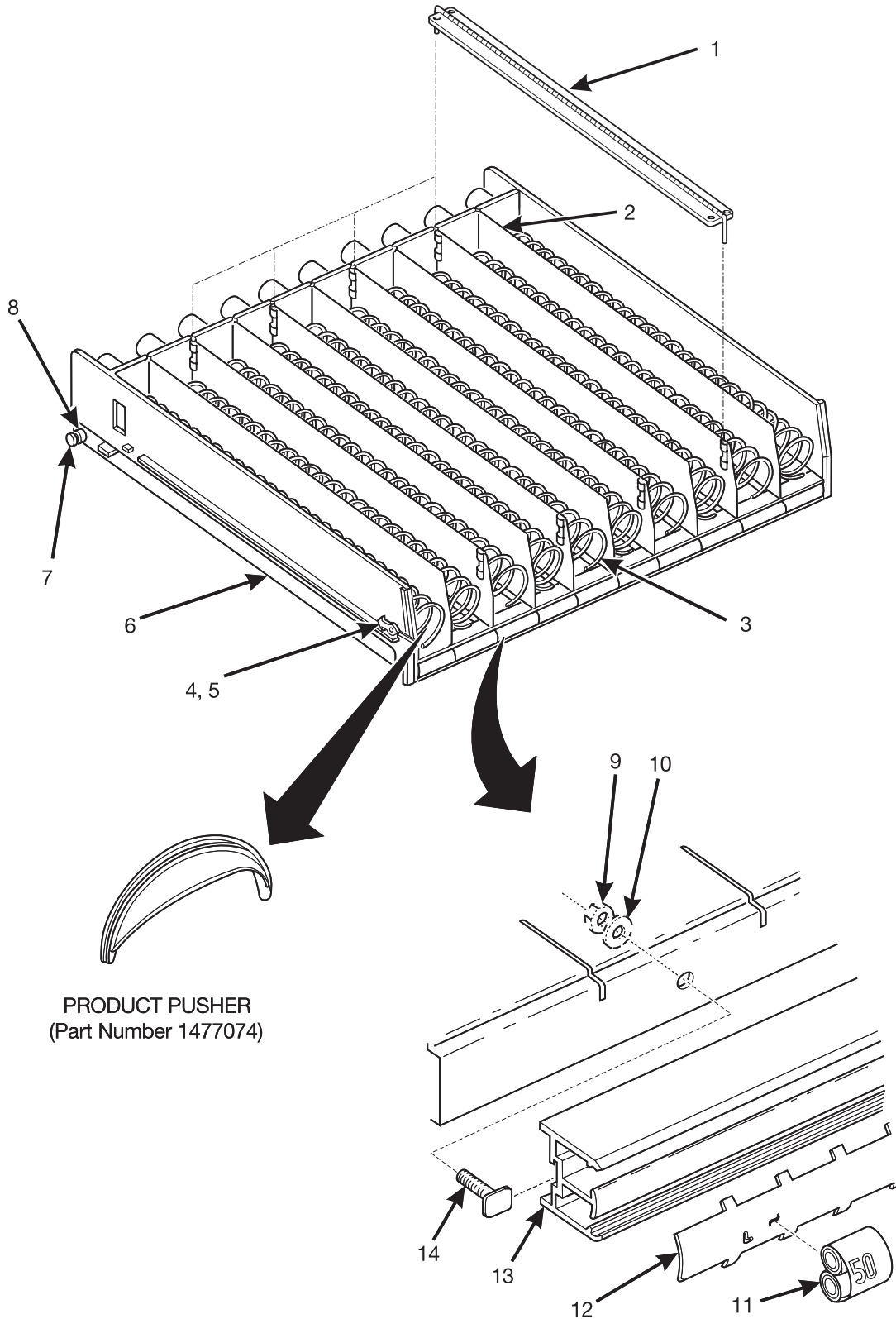
Figure 80. Snack Tray Assembly (Part 2 of 2)



# Expanded Refreshment Center Parts Manual

TABLE 80. SNACK TRAY ASSEMBLY (PART 2 OF 2)

INDEX	PART NUMBER	DESCRIPTION	QTY.
1	1599012	HARNESS - 5 MOTOR TRAY	1
2	1577035	MOTOR & PCB ASSEMBLY	5
3	3502097	BUSHING	1
4	1477022	BEARING - COUPLER	5
5	1477113	COUPLING - SPIRAL	10
6	-	SPIRALS (SEE TABLE 85 FOR DETAILS)	-
7	1477020	GEAR - TRAY	10



PRODUCT PUSHER  
(Part Number 1477074)

497p0079

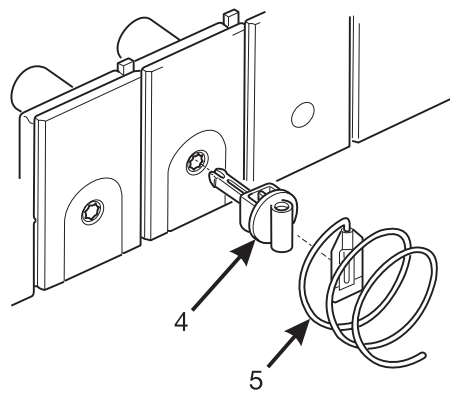
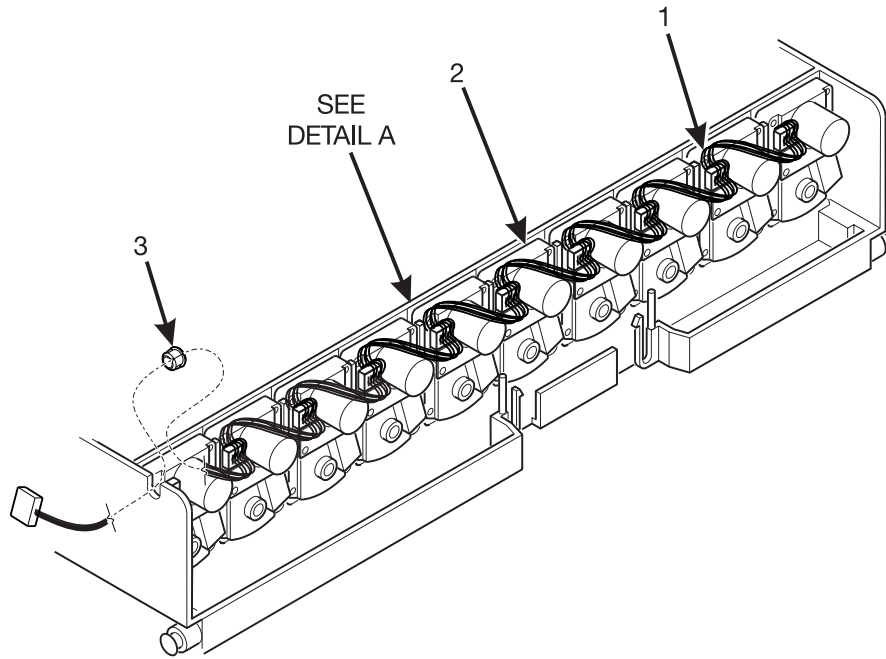
Figure 81. Candy Tray Assembly (Part 1 of 2)



# Expanded Refreshment Center Parts Manual

TABLE 81. CANDY TRAY ASSEMBLY (PART 1 OF 2)

INDEX	PART NUMBER	DESCRIPTION	QTY.
-	1597002	TRAY ASSEMBLY - 10 CANDY	1
1	1477141	SPACER - ADJUSTABLE	4
2	1477175	WALL - TRAY	9
3	-	SPIRAL (OPTIONAL) (SEE TABLE 85 FOR DETAILS)	-
4	1477017	LATCH	2
5	5201267	PUSH ON RETAINER - .312	2
6	1577040	TRAY - 5 & 10 DIVISION	1
7	1477097	AXLE - TRAY ROLLER	2
8	1477148	ROLLER - TRAY	2
9	9900030	NUT #8-32 SELF-LOCKING	3
10	5560113	WASHER - HOPPER RELEASE	3
11	1477014	ROLL - PRICE - CENTS	10
12	1477157	HOLDER - PRICE & SELECTION	1
13	1477134	RAIL - PRICE & SELECTION	1
14	2222031	TEE BOLT - TRIM	3



159PO025

DETAIL A

Figure 82. Candy Tray Assembly (Part 2 of 2)



# Expanded Refreshment Center Parts Manual

TABLE 82. CANDY TRAY ASSEMBLY (PART 2 OF 2)

INDEX	PART NUMBER	DESCRIPTION	QTY.
1	1599013	HARNESS - 10 MOTOR TRAY	1
2	1577035	MOTOR & PCB ASSEMBLY	10
3	3502907	BUSHING	1
4	1477113	COUPLING - SPIRAL	10
5	-	SPIRALS (SEE TABLE 85 FOR DETAILS)	-

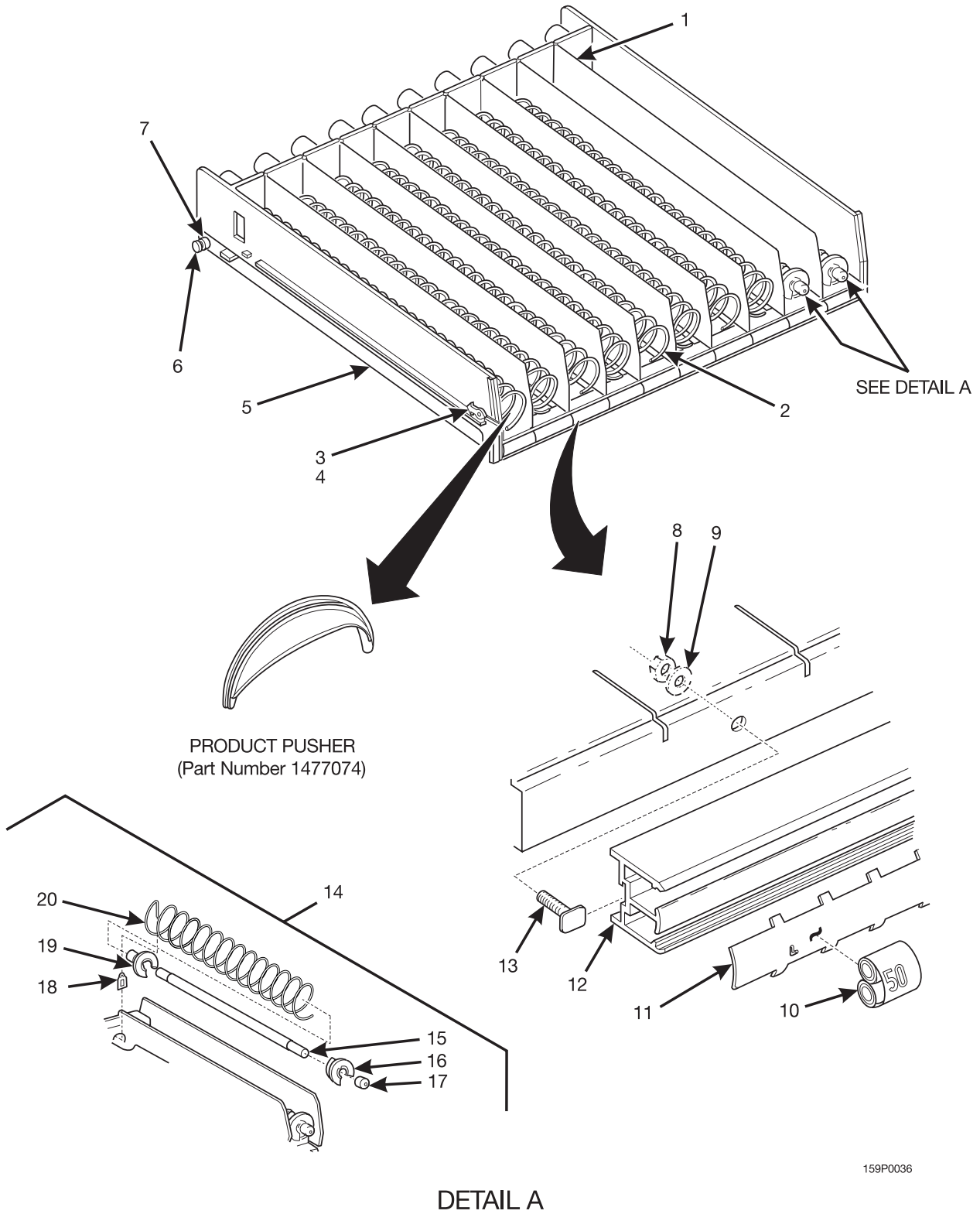


Figure 83. Gum and Mint Tray Assembly (Part 1 of 2)

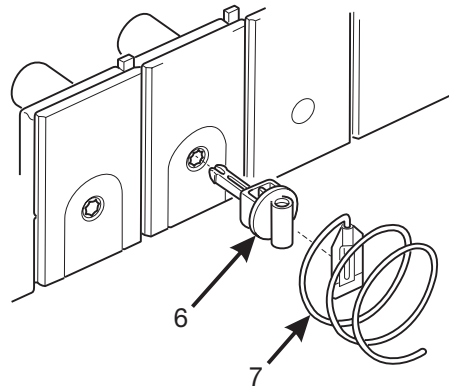
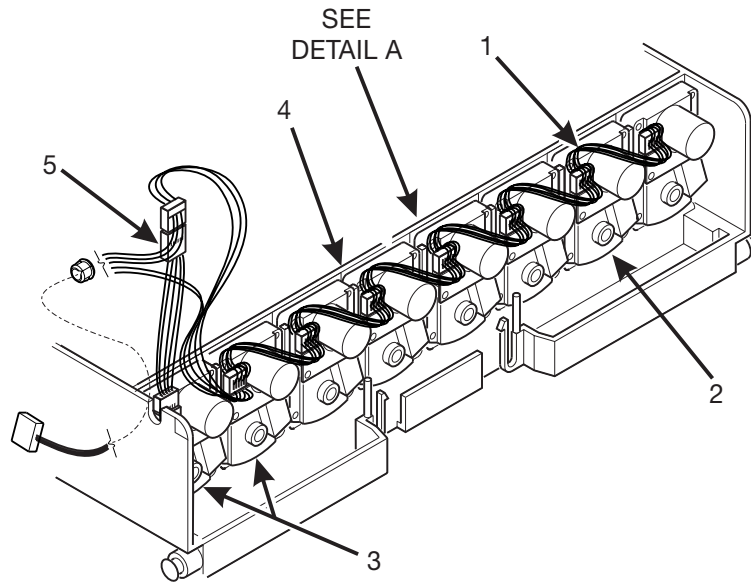




# Expanded Refreshment Center Parts Manual

TABLE 83. GUM AND MINT TRAY ASSEMBLY (PART 1 OF 2)

INDEX	PART NUMBER	DESCRIPTION	QTY.
-	1597003	TRAY ASSEMBLY - 8 CANDY - 2 GUM	1
1	1477175	WALL - TRAY	9
2	-	SPIRAL (OPTIONAL) (SEE TABLE 85 FOR DETAILS)	-
3	1477017	LATCH	2
4	5201267	PUSH ON RETAINER - .312	2
5	1577040	TRAY - 5 & 10 DIVISION	1
6	1477097	AXLE - TRAY ROLLER	2
7	1477148	ROLLER - TRAY	2
8	9900030	NUT #8-32 SELF-LOCKING	3
9	5560113	WASHER - HOPPER RELEASE	3
10	1477014	ROLL - PRICE - CENTS	10
11	1477157	HOLDER - PRICE & SELECTION	1
12	1477134	RAIL - PRICE & SELECTION	1
13	2222031	TEE BOLT - TRIM	3
14	1467127	SPIRAL ASSEMBLY - DUAL GUM & MINT (INCLUDES INDEX NUMBERS 15 - 20)	2
15	1467131	SPIRAL INSERT ASSEMBLY	1
16	1467129	DISC - SPIRAL INSERT	1
17	1467136	CAP - SPIRAL INSERT	2
18	1467130	DISC - SPIRAL INSERT	1
19	1467137	RETAINER - SPIRAL - ORANGE	1
20	1467128	SPIRAL - 2.65 DIAMETER - DUAL GUM & MINT	1



DETAIL A

159P0038

Figure 84. Gum and Mint Tray Assembly (Part 2 of 2)



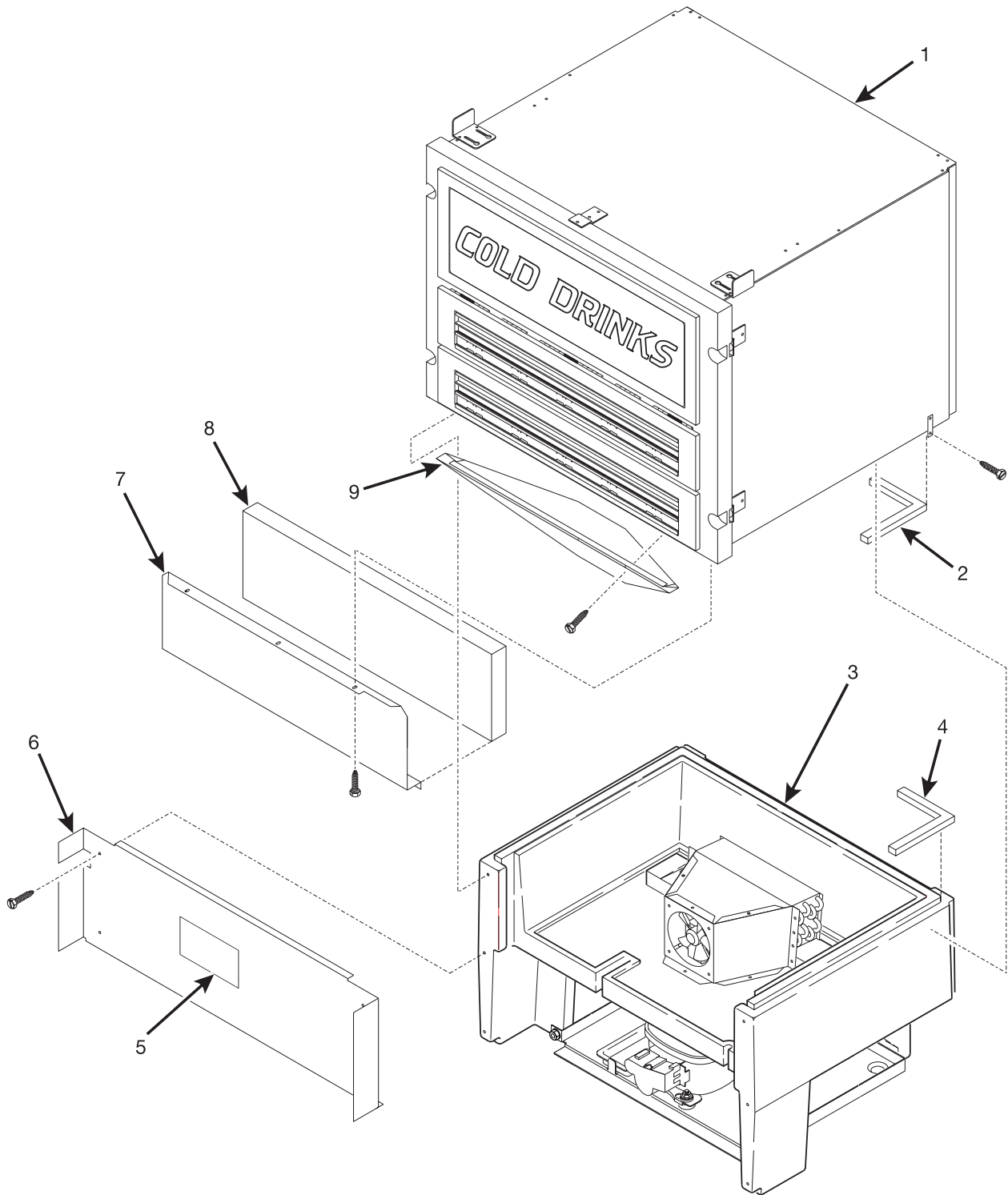
# Expanded Refreshment Center Parts Manual

**TABLE 84. GUM AND MINT TRAY ASSEMBLY (PART 2 OF 2)**

INDEX	PART NUMBER	DESCRIPTION	QTY.
1	1599013	HARNESS - 10 MOTOR TRAY	1
2	1577035	MOTOR & PCB ASSEMBLY	8
3	1477114	MOTOR & PCB ASSEMBLY	2
4	3502097	BUSHING	1
5	1477156	JUMPER ASSEMBLY - MOTOR REVERSING	1
6	1477113	COUPLING - SPIRAL	10
7	-	SPIRALS (SEE TABLE 85 FOR DETAILS)	-

**TABLE 85. SPIRAL OPTIONS**

			PART NUMBERS			
			LEFT HAND		RIGHT HAND	
Spiral Count	Retainer Color	Retainer	Assembly	Spiral	Assembly	Spiral
6	PURPLE	1477107	1477103	1477102	1477105	1477104
9	GRAY	1477155	1477149	1477150	1477152	1477153
11	BLUE	1457061	1477023	1477024	1477026	1477027
13	YELLOW	1457062	1477029	1477030	1477032	1477033
15	RED	1457063	1477035	1477063	1477038	1477039
17	BROWN	1477106	1477101	1477100	1477099	1477098
20	WHITE	1457064	1477041	1477042	1477044	1477045
25	GREEN	1457065	1477047	1477048	1477050	1477051
30	BLACK	1477073	1477053	1477054	1477056	1477057
38	ORANGE	1467137	1477059	1477060	1477062	1477063



497p0104

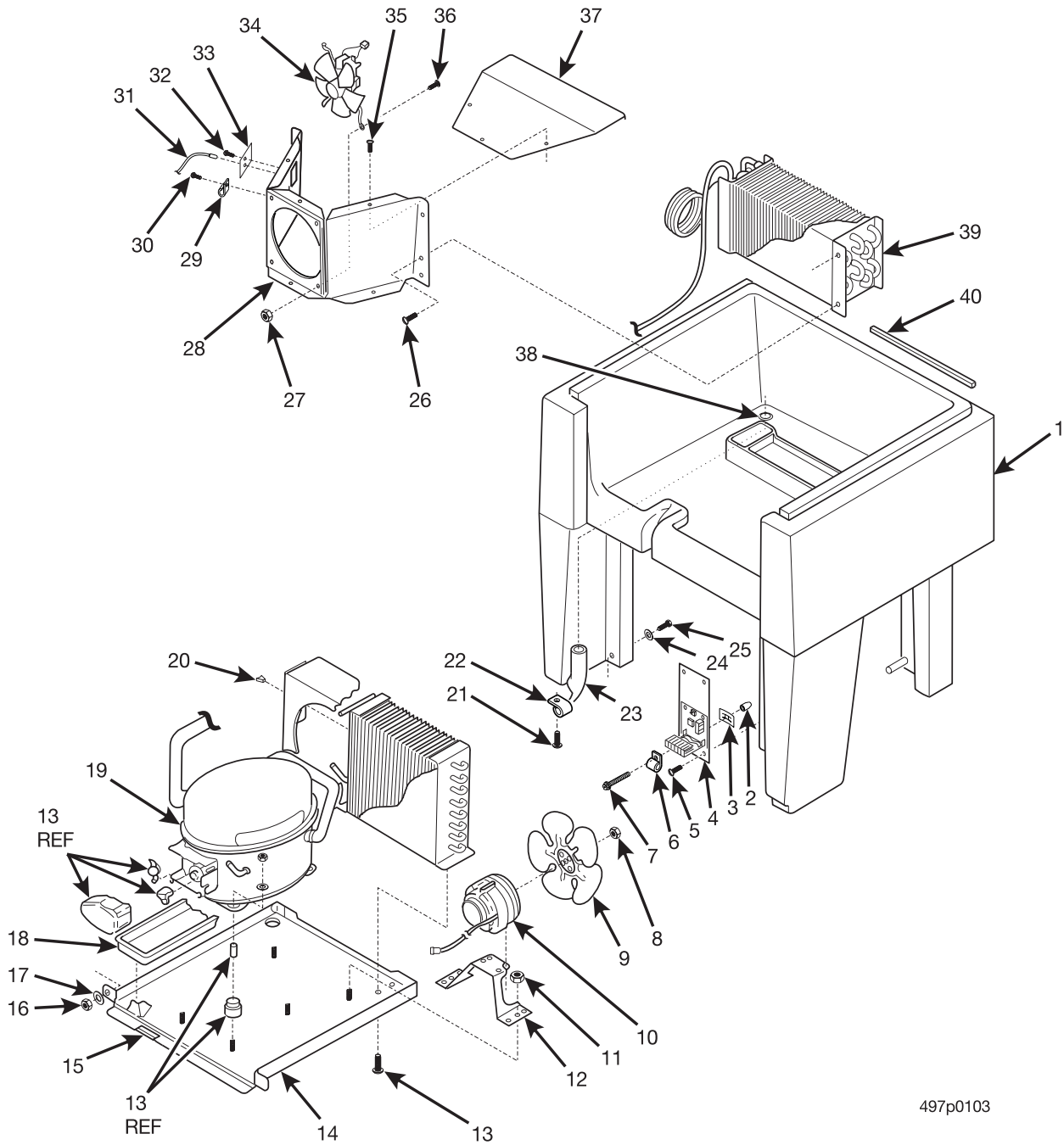
Figure 86. 10-Select Can Option



# Expanded Refreshment Center Parts Manual

TABLE 86. 10-SELECT CAN OPTION

INDEX	PART NUMBER	DESCRIPTION	QTY.
1	4977000	CAN MODULE ASSEMBLY - 10 SELECT - 115 V XREF	1
	4987000	CAN MODULE ASSEMBLY - 10 SELECT - 230 V XREF	
2	4974016	GASKET - REFRIGERATION MODULE - INSIDE	1
3	4974000	REFRIGERATION MODULE ASSEMBLY - CAN - 115 V - AMBIENT XREF	1
	4974022	REFRIGERATION MODULE ASSEMBLY - CAN - 230 V - AMBIENT XREF	
		REFRIGERATION MODULE ASSEMBLY - CAN - 230 V - CHILLED XREF	
4	4974015	GASKET - REFRIGERATION MODULE - OUTSIDE	1
5	6231189	LABEL - WARNING - HIGH VOLTAGE - ENGLISH	1
	6231216	LABEL - WARNING - HIGH VOLTAGE - GERMAN	
	6231229	LABEL - WARNING - HIGH VOLTAGE - FRENCH	
	6232290	LABEL - WARNING - HIGH VOLTAGE - SPANISH	
6	4974009	COVER AND SEAL ASSEMBLY - COMPRESSOR	1
7	4974012	RETAINER - DOOR	1
8	4974007	DOOR - REFRIGERATION MODULE	1
9	4974019	DUCT AND GASKET ASSEMBLY	1



497p0103

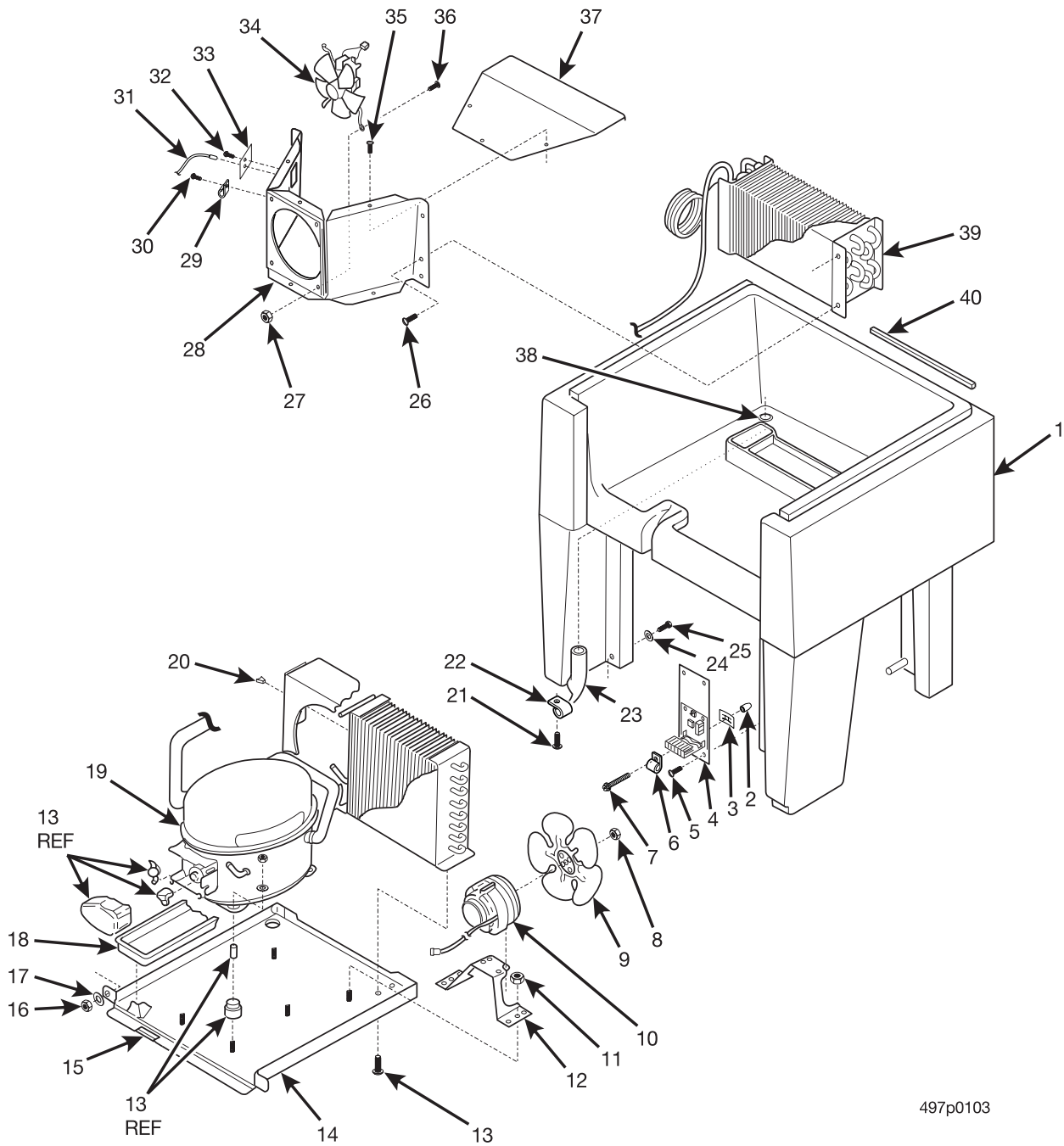
Figure 87. Refrigeration Module Assembly - 115 V and 230 V Ambient



# Expanded Refreshment Center Parts Manual

**TABLE 87. REFRIGERATION MODULE ASSEMBLY - 115 V AND 230 V AMBIENT**

INDEX	PART NUMBER	DESCRIPTION	QTY.
1	4974001	HOUSING - REFRIGERATION MODULE	1
2	3152081	COVER - SCREW TIP	1
3	2221032	SPEED NUT BALLAST	1
4	4644008	TRIAC & SUPPORT ASSEMBLY-CHILL/CAN	1
5	4721035	SCREW - #8-18 X .38-LGM	3
6	2342315	CLIP - WIRE HARNESS	1
7	4404004	SCREW - #8-18X2.5 T/HHS	1
8	4043122	SPEED NUT 1/4-20 MORRIL S-6522-2	1
9	3608149	BLADE CONDENSER FAN FV-700CW20P	1
10	4744112	MOTOR - CONDENSER FAN - 115 V	1
	3618157	MOTOR - CONDENSOR FAN - 230 V	
11	1211105	1/4-20 KEPS NUT EXT LW ZP	4
12	4744009	BRACKET - CONDENSER MOTOR	1
13	4744106	BAG - COMPRESSOR COMPONENTS - 115V	1
	4844015	BAG - COMPRESSOR COMPONENTS - 230 V	
14	4974018	BASE & STUD ASSEMBLY - CONDENSER	1
15	4304192	LABEL - R134A - SMALL	1
16	4041241	NUT 1/4-20 SELF LOCKING	4
17	6131066	WASHER 5/8X.265X.048 ZINC/YEL	4
18	4744022	PAN - CONDENSATE	1
19	4744108	COMPRESSOR- A Z0370Y-R134A	1
	4844014	COMPRESSOR - AZ0370Y-220V	
20	4043082	CLIP SPEED DART STYLE	4
21	4751035	CHUTE - COFFEE	1
22	4732024	RETAINER - HARNESS	1
23	4301152	DRAIN - CONDENSATE	1
24	1140051		4
25	4614107	BOLT - .250-20 X 1.75-HEX HD.	4
26	4721035	SCREW - #8-18 X .38-LGM	4
27	9900081	NUT #8-32 KEPS ZINC PLATE	4
28	4744045	SHROUD - EVAPORATOR FAN	1
29	1452139	RETAINER - HARNESS	1
30	4721035	SCREW - #8-18 X .38-LGM	1
31	4119013	PROBE - TEMPERATURE SENSOR	1
32	4721035	SCREW - #8-18 X .38-LGM	1
33	4744030	PLATE - TEMPERATURE SENSOR	1
34	4724124	FAN - EVAPORATOR - 115 V	1
	4844001	FAN - EVAPORATOR - 230V	



497p0103

Figure 87. Refrigeration Module Assembly - 115 V and 230 V Ambient

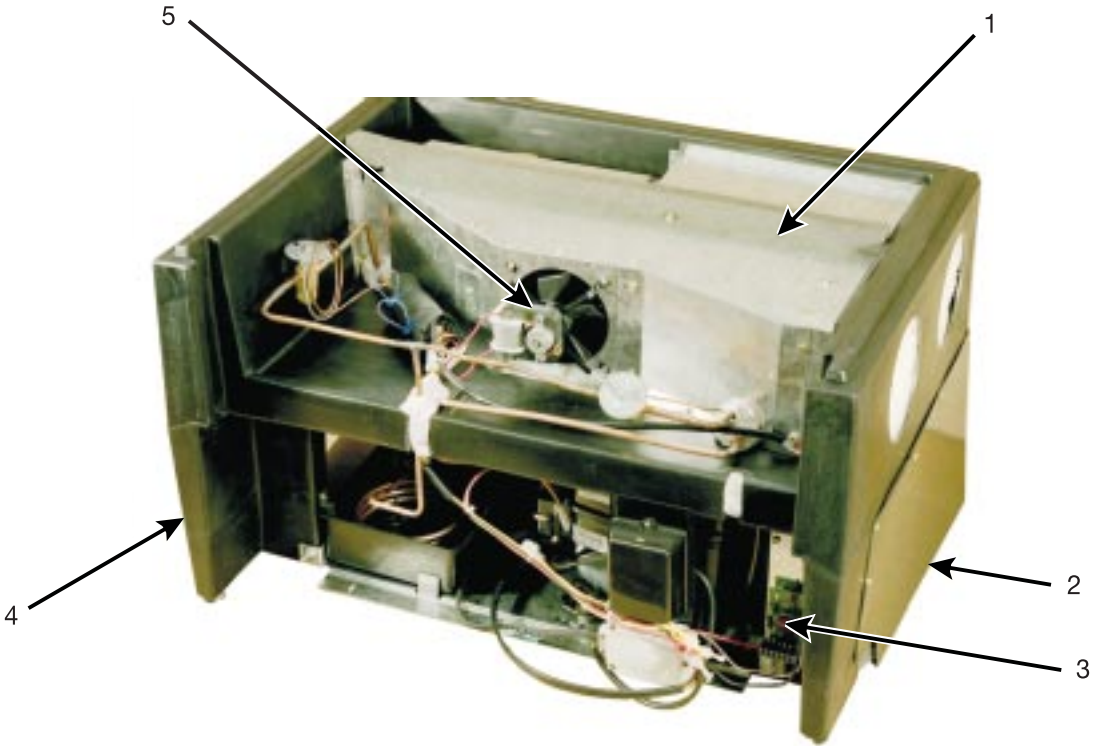




# Expanded Refreshment Center Parts Manual

**TABLE 87. REFRIGERATION MODULE ASSEMBLY - 115 V AND 230 V AMBIENT (CONTINUED)**

INDEX	PART NUMBER	DESCRIPTION	QTY.
35	1451056	8-32X.31 HWS TY23 ZB WAX	3
36	9900019	SCREW - #8-32 X 3/8 RHS	4
37	4744020	SHROUD - TOP	1
38	3128063	DRAIN - WATER BATH	1
39	4844026	EVAP & TUBE ASSEMBLY - TECUMSEH	1
40	4974015	GASKET - REFRIG. MOD. - OUTSIDE	1
-	4644043	TINNERMAN PUSH-ON C501-017	1



497p0105

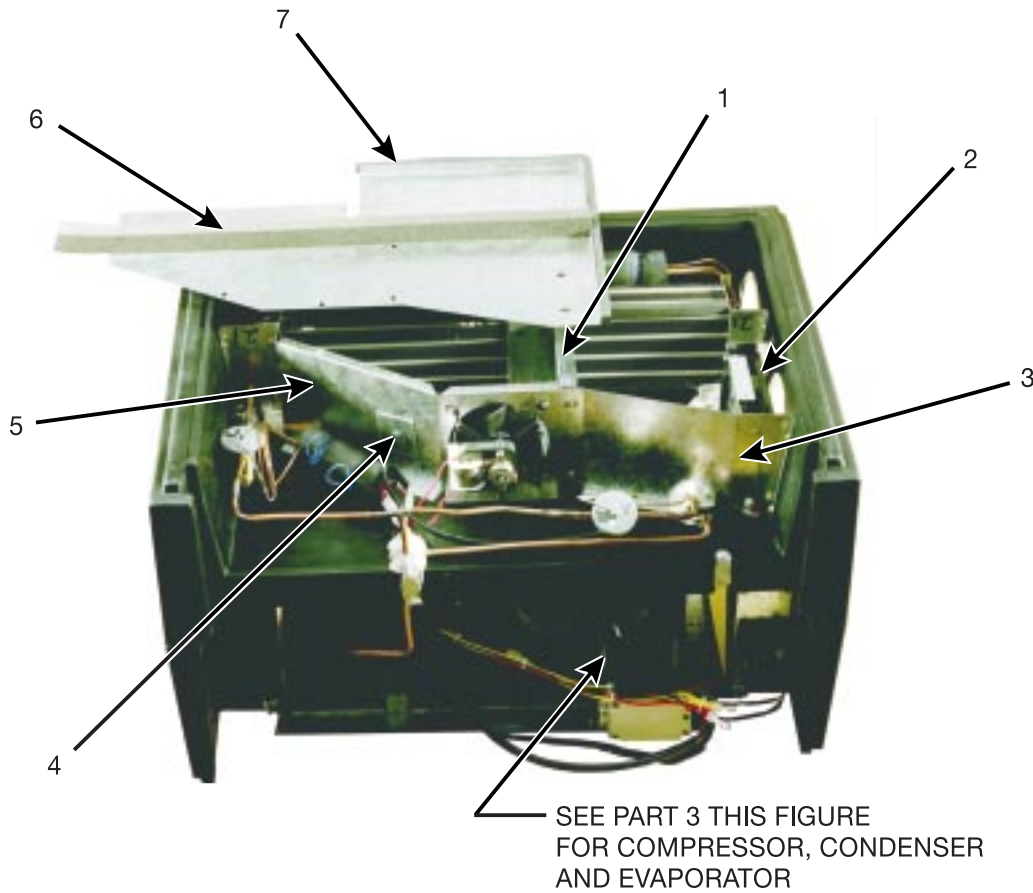
Figure 88. Refrigeration Module - Can - Chilled - 230 V - Domestic (Part 1 of 4)



# Expanded Refreshment Center Parts Manual

**TABLE 88. REFRIGERATION MODULE - CAN - CHILLED - 230 V - DOMESTIC (PART 1 OF 4)**

INDEX	PART NUMBER	DESCRIPTION	QTY.
1	4984028	COVER - AIR DUCT	1
2	4641074	COVER AND SEAL ASSEMBLY	2
3	4644008	TRIAC AND SUPPORT ASSEMBLY - REFRIGERATION	1
4	4984025	HOUSING - REFRIGERATION MODULE	1
5	4844001	FAN - EVAPORATOR	1



497p0106

Figure 89. Refrigeration Module - Can - Chilled - 230 V - Domestic (Part 2 of 4)



# Expanded Refreshment Center Parts Manual

**TABLE 89. REFRIGERATION MODULE - CAN - CHILLED - 230 V - DOMESTIC (PART 2 OF 4)**

<b>INDEX</b>	<b>PART NUMBER</b>	<b>DESCRIPTION</b>	<b>QTY.</b>
1	4774003	DIVIDER WALL - AIR DUCT	1
2	4874002	FAN - EVAPORATOR - 230 V	1
3	4984032	WALL - AIR DUCT	1
4	4774203	PLATE - EVAPORATOR - FAN SHROUD	1
5	4984027	SHROUD - EVAPORATOR FAN	1
6	4974011	SEAL - 1.00 X .87 X 25.32 LONG	1
7	4984029	GASKET - AIR DUCT COVER (.50 X .50)	1

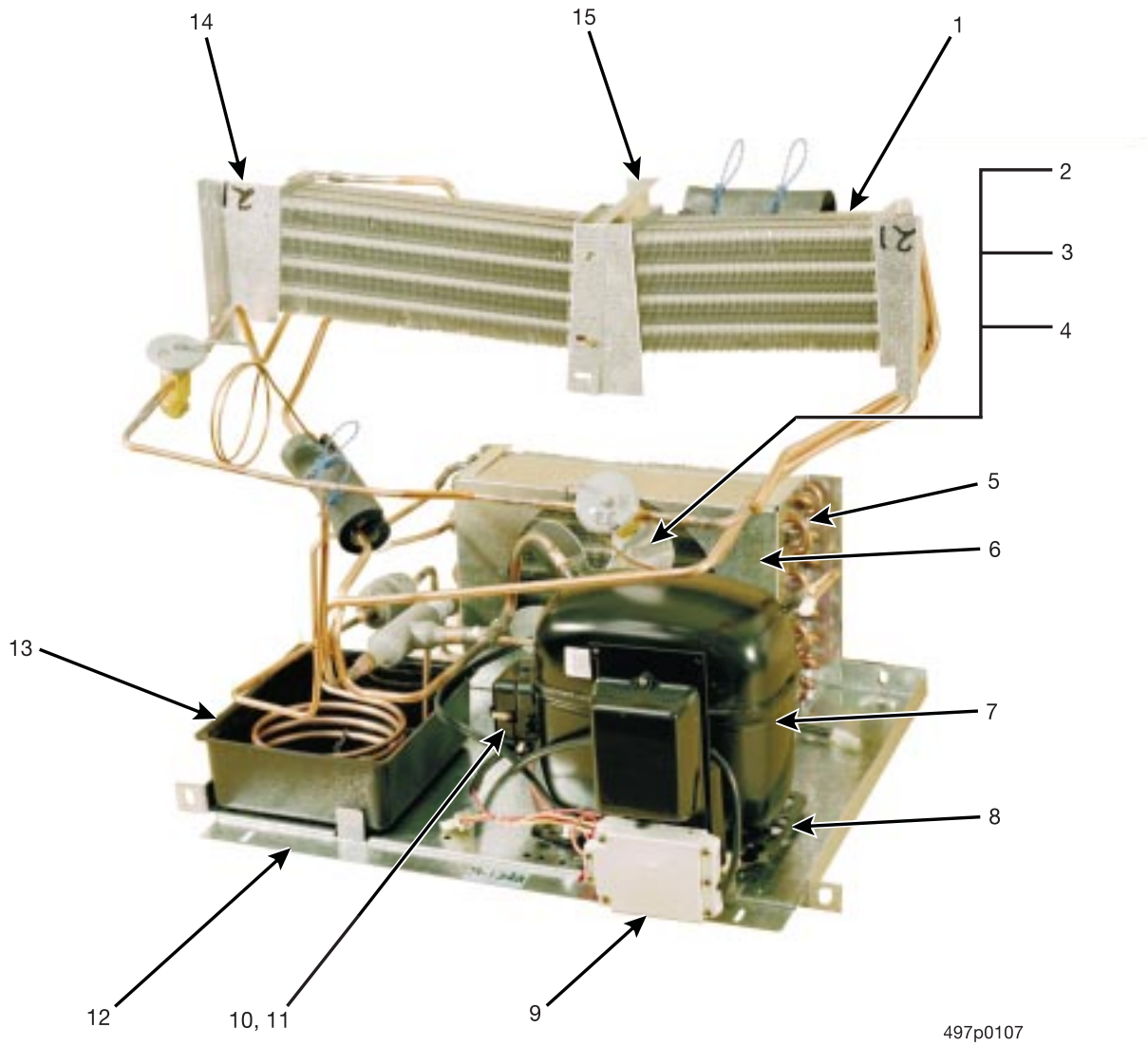


Figure 90. Refrigeration Module - Can - Chilled - 230 V - Domestic (Part 3 of 4)



## Expanded Refreshment Center Parts Manual

TABLE 90. REFRIGERATION MODULE - CAN - CHILLED - 230 V - DOMESTIC (PART 3 OF 4)

INDEX	PART NUMBER	DESCRIPTION	QTY.
-	4984041	REFRIGERATION UNIT ASSEMBLY - CAN - INTERNATIONAL - DANFOSS INCLUDES INDEX NUMBERS 1 - 15 PLUS RELATED HARNESSSES, MOUNTING HARDWARE, TUBING AND OTHER CLOSED-SYSTEM COMPONENTS	-
1	4984023	EVAPORATOR - REFRIGERATED SNACK	1
2	4774122	CONDENSER FAN MOTOR - 230 V	1
3	4774027	CONDENSER FAN BLADE	1
4	4744009	CONDENSER FAN MOTOR BRACKET	1
5	4984022	CONDENSER COIL	1
6	4984013	CONDENSER FAN SHROUD	1
7	4984016	COMPRESSOR	1
8	4304216	GROMMET AND SLEEVE PACKAGE	1
9	4984017	STARTING DEVICE (HOT) WITH STARTING CAPACITOR	1
10	4304057	COVER	1
11	4304058	CORD RELIEF	1
12	4984021	BASE AND STUD ASSEMBLY - COMPRESSOR - INTERNATIONAL	1
13	4644029	CONDENSATE PAN	1
14	4984024	EVAPORATOR - CAN MODULE	1
15	4774002	EVAPORATOR DIVIDER	1
-	4849025	HARNESS - CAN/CHILLER COMPRESSOR (SEE HARNESS SECTION FOR CONFIGURATION)	1

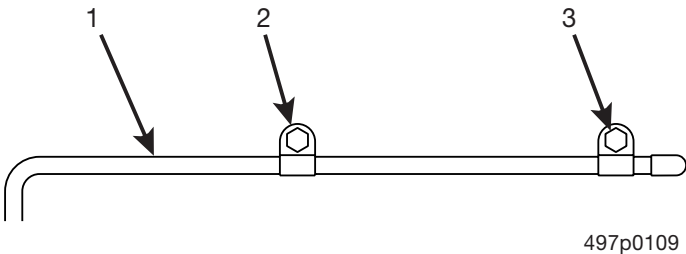


Figure 91. Refrigeration Module - Can - Chilled - 230 V - Domestic (Part 4 of 4)





# Expanded Refreshment Center Parts Manual

TABLE 91. REFRIGERATION MODULE - CAN - CHILLED - 230 V - DOMESTIC (PART 4 OF 4)

INDEX	PART NUMBER	DESCRIPTION	QTY.
1	4119013	PROBE - TEMPERATURE SENSOR	1
2	2301077	WIRE CLAMP - 3/16 INCH	2
3	4721035	SCREW-#8-18 X .38-LGM	2

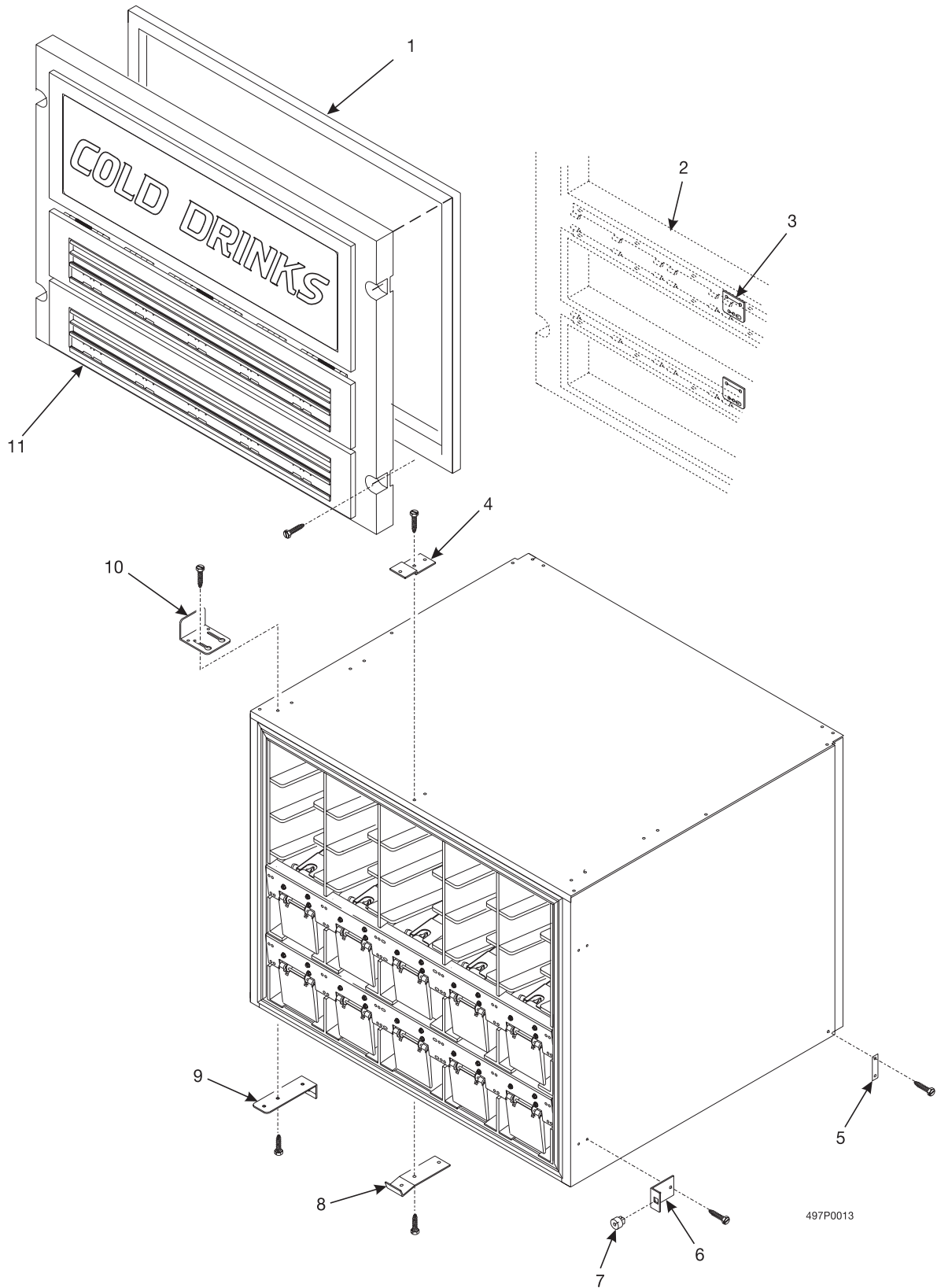


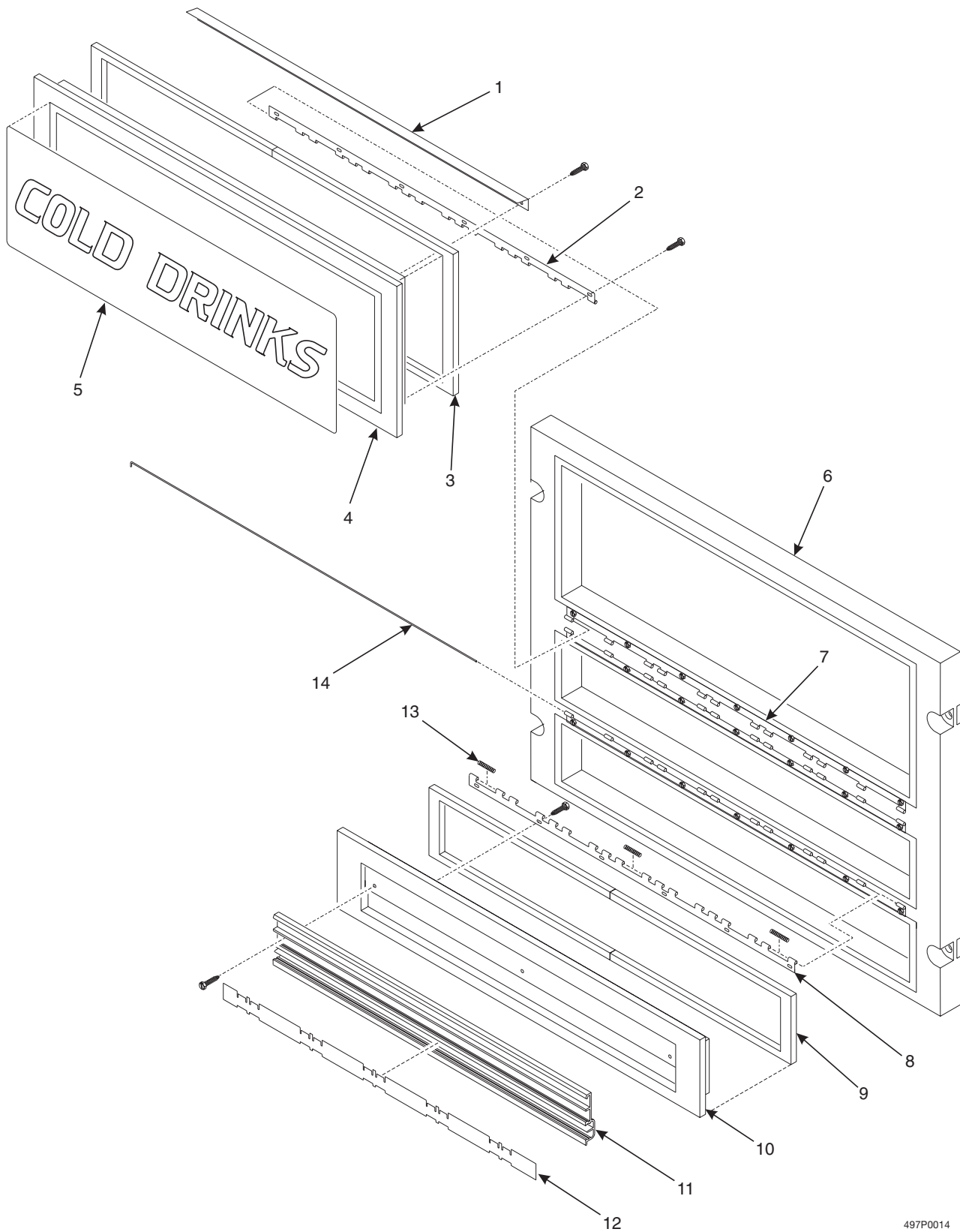
Figure 92. Can Module Assembly



# Expanded Refreshment Center Parts Manual

TABLE 92. CAN MODULE ASSEMBLY

INDEX	PART NUMBER	DESCRIPTION	QTY.
1	4976042	GASKET - 10 SELECT FRAME	1
2	4976002	FRAME & SUPPORT ASSEMBLY	1
3	4976001	BRACKET - SUPPORT - FRAME	2
4	4977036	BRACKET - SUPPORT - TOP	1
5	4747062	MOUNTING STRAP - CAN MODULE	2
-	4977052	BRACKET & GROMMET ASSEMBLY (INCLUDES INDEX NUMBERS 6 AND 7)	4
6	4977053	BRACKET - FRAME - MOUNTING	
7	4977054	GROMMET - SCREW - .38	
8	4977065	BRACKET - SUPPORT - BOTTOM	1
9	4977059	BRACKET - FRAME SUPPORT	1
10	4747715	BRACKET - CABINET SUPPORT	1
11	4976000	FRAME ASSEMBLY - 10 SELECT+	1



497P0014

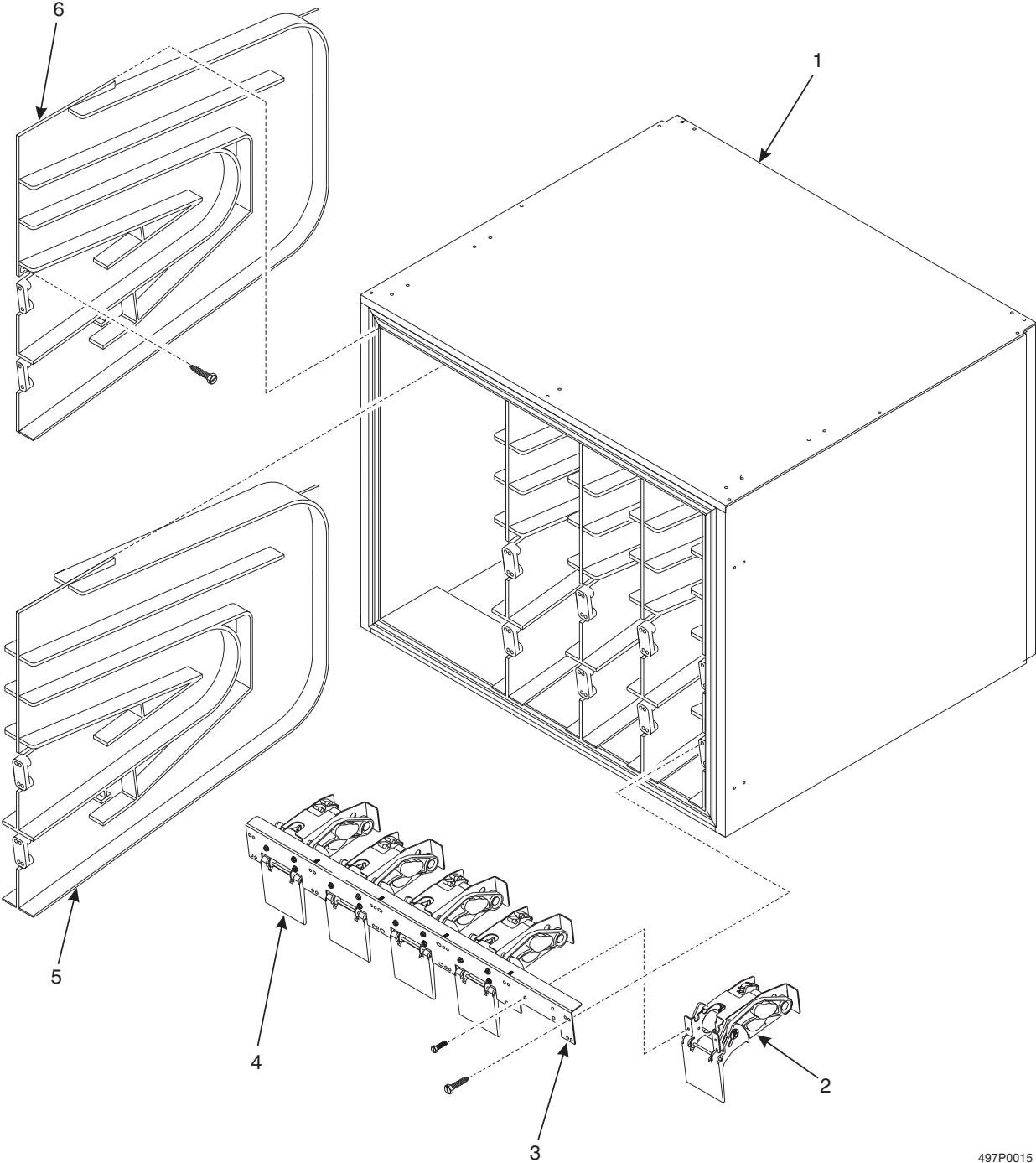
Figure 93. Frame Assembly



# Expanded Refreshment Center Parts Manual

TABLE 93. FRAME ASSEMBLY

INDEX	PART NUMBER	DESCRIPTION	QTY.
-	4976030	LOADING DOOR ASSEMBLY (INCLUDES INDEX NUMBERS 1 - 5)	1
1	4976037	ANGLE - LOADING DOOR	1
2	4976046	HINGE - DOOR - PAINTED	1
3	4976031	GASKET - LOADING DOOR	1
4	4976044	DOOR - LOADING - FOAMED	1
5	4976024	LABEL / INSERT - "COLD DRINKS"	1
	4976048	PHOTO - P.O.P. - LOADING DOOR	
-	1472454	SCREW - #6-20 X .31 PHILLIPS TRUSS	6
-	4047056	SCREW - SHEET METAL #8X3/8 PHS	-
6	4976038	FRAME - CAN MODULE - 10 SELECT - FOAMED	1
7	4976045	HINGE - FRAME - PAINTED	3
-	4976028	DELIVERY DOOR ASSEMBLY (INCLUDES INDEX NUMBERS 8 - 12)	2
8	4976046	HINGE - DOOR - PAINTED	1
9	4976029	GASKET - DELIVERY DOOR	1
10	4976039	DOOR - DELIVERY - FOAMED	1
11	4976040	RAIL -PRICE & SELECTION	1
12	4976014	HOLDER - PRICE & SELECTION	1
-	1472454	SCREW-#6-20 X.31 PHIL.TRUSS	6
-	1477014	ROLL-PRICE CENTS	5
-	1477015	ROLL-PRICE DOLLARS	5
-	4721035	SCREW-#8-18 X .38-LGM	11
13	4976015	SPRING - DOOR RETURN	13
14	4976032	PIN - HINGE	3
-	1577013	LABEL-ITEM LETTERS E0-E9	1
-	1577014	LABEL-ITEM LETTERS-F0-F9	1
-	2226380	SCREW-#6-19X.38 PHS T/C	-
-	4976025	LABEL - LOADING DIAGRAM - 10 SELECT CAN MODULE (NOT SHOWN - ON REAR OF LOADING DOOR)	1



497P0015

Figure 94. Miscellaneous Internal Parts



# Expanded Refreshment Center Parts Manual

TABLE 94. MISCELLANEOUS INTERNAL PARTS

INDEX	PART NUMBER	DESCRIPTION	QTY.
1	4975056	BOX ASSEMBLY - REFRIGERATION - FOAMED	1
2	4977049	EJECTOR & MOTOR ASSEMBLY	5
3	4977040	CHANNEL - MOTOR BRACKET MOUNTING	1
4	4977048	MOTOR & EJECTOR MOUNTING CHANNEL ASSEMBLY	2
5	4977030	TRACK - CAN - CENTER (ARG./BRZ./L.A./MEX./N.Z./S.A./U.S.)	4
		TRACK - CAN - CENTER (FR./GER./U.K.)	2
6	4977031	TRACK - CAN - LEFT (ARG./BRZ./L.A./MEX./N.Z./S.A./U.S.)	1
-	4977032	TRACK - CAN - LEFT (FR./GER./U.K.)	3

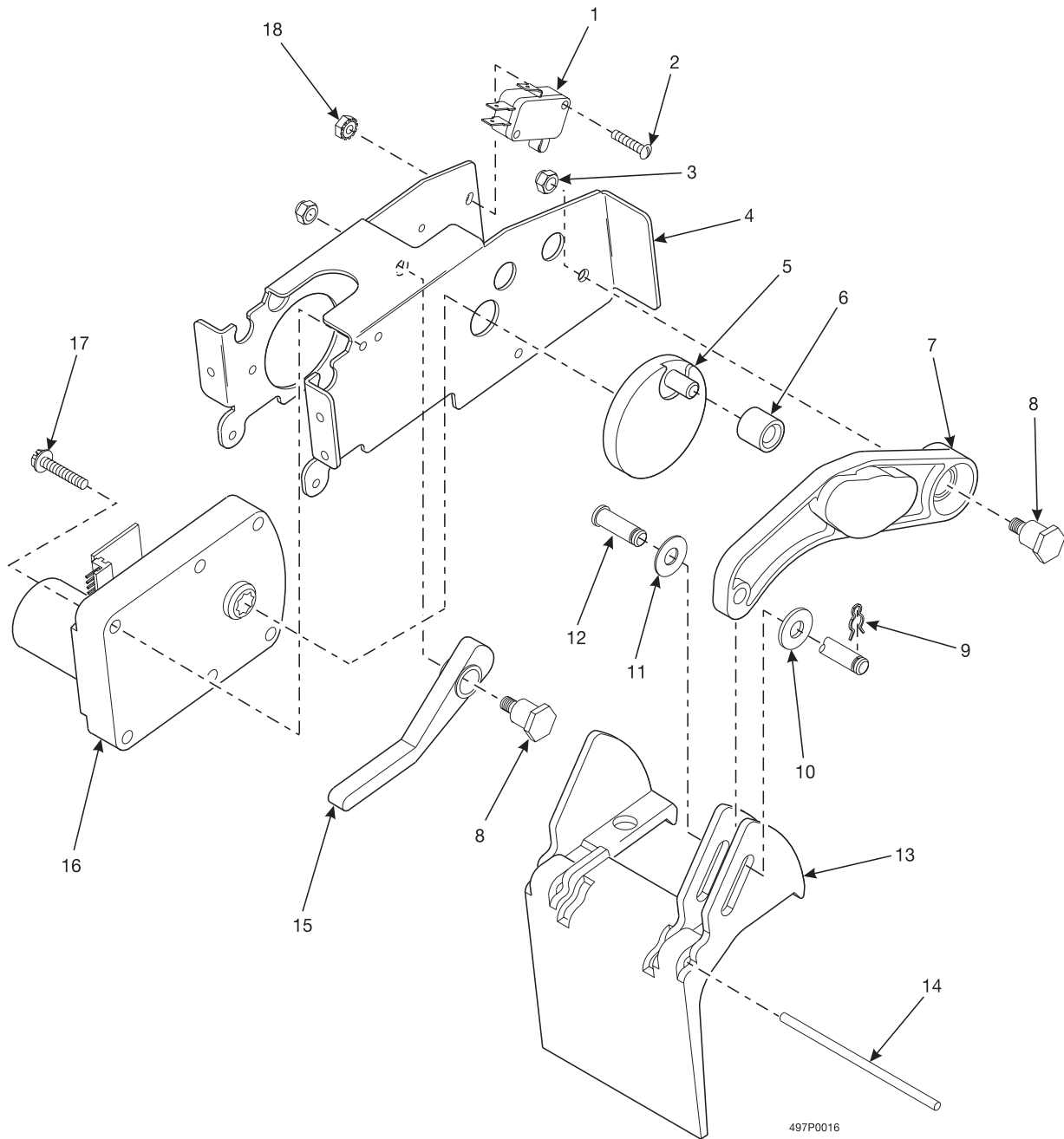


Figure 95. Ejector and Motor Assembly

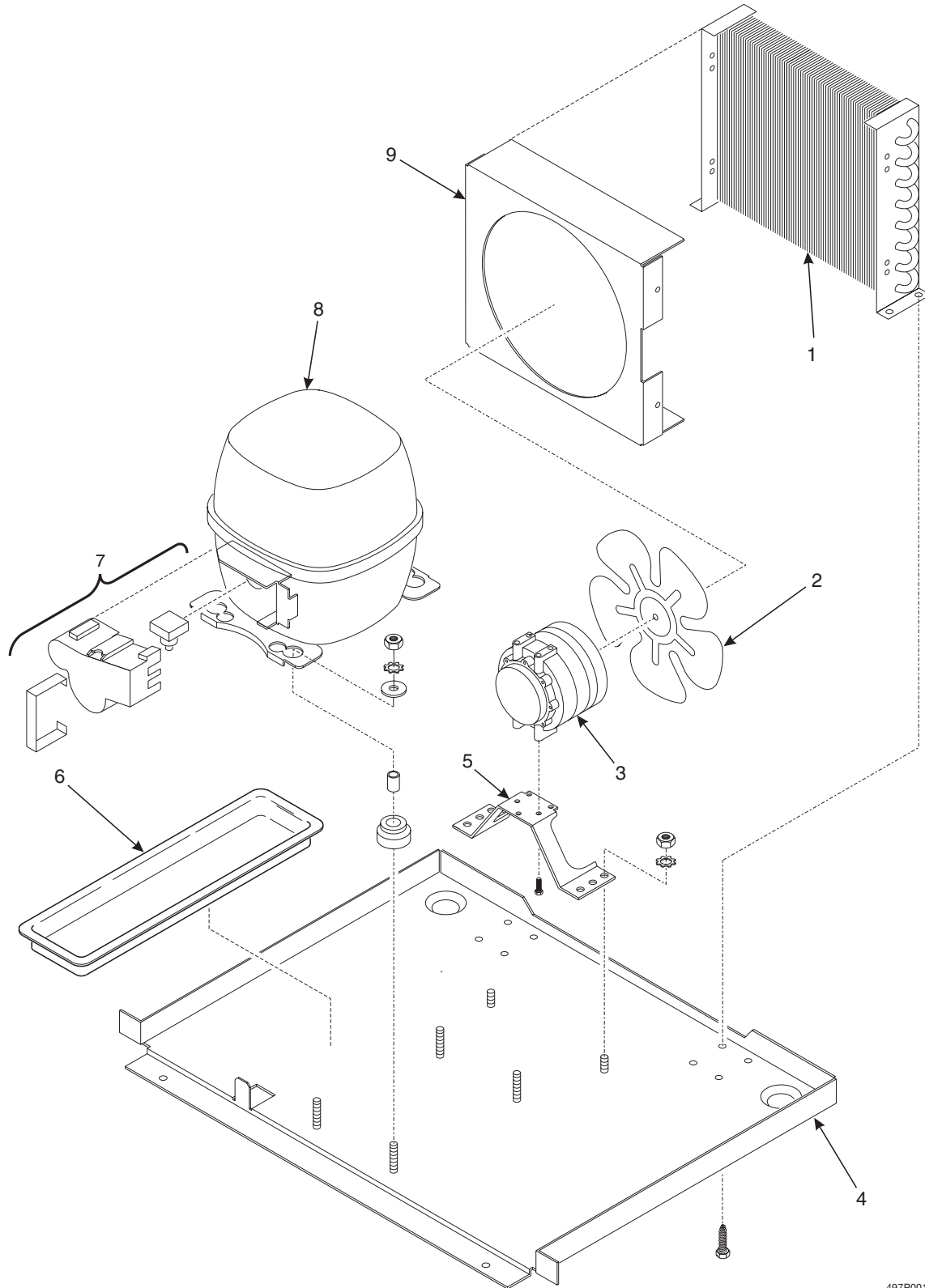




# Expanded Refreshment Center Parts Manual

TABLE 95. EJECTOR AND MOTOR ASSEMBLY

INDEX	PART NUMBER	DESCRIPTION	QTY.
1	2366091	SWITCH - ROLLER LEVER V3L-2103-D8	1
2	9900206	NUT #10-32 SELF - LOCKING	-
3	1217160	4-40X5/8 RHS M SCREW Z/Y	-
4	4977039	BRACKET - MOTOR MOUNTING	1
5	4977035	CAM - DRIVE MOTOR	1
6	4977056	ROLLER - MOTOR CAM	1
7	4977034	ARM - GATE EJECTOR	1
8	1457099	STUD - TRAY ROLLER	2
9	2204092	COTTER HAIR - PIN	1
10	5305318	WASHER - .257X.50X.062	1
11	4977041	WASHER - DRIVE PIN	1
12	4747031	PIVOT PIN - EJECTOR CAM	1
13	4977033	GATE - EJECTOR	1
14	4977038	PIN - PIVOT - GATE EJECTOR	1
15	4747036	SWITCH - ACTUATOR - SOLD OUT	1
16	1577035	MOTOR & PCB ASSEMBLY	1
17	1457027	SCREW-#8-32 X .81 HEX HD.-T/	2
18	1217159	4-40 KEPS W/EXT L/WAS H ZP	-



497P0017

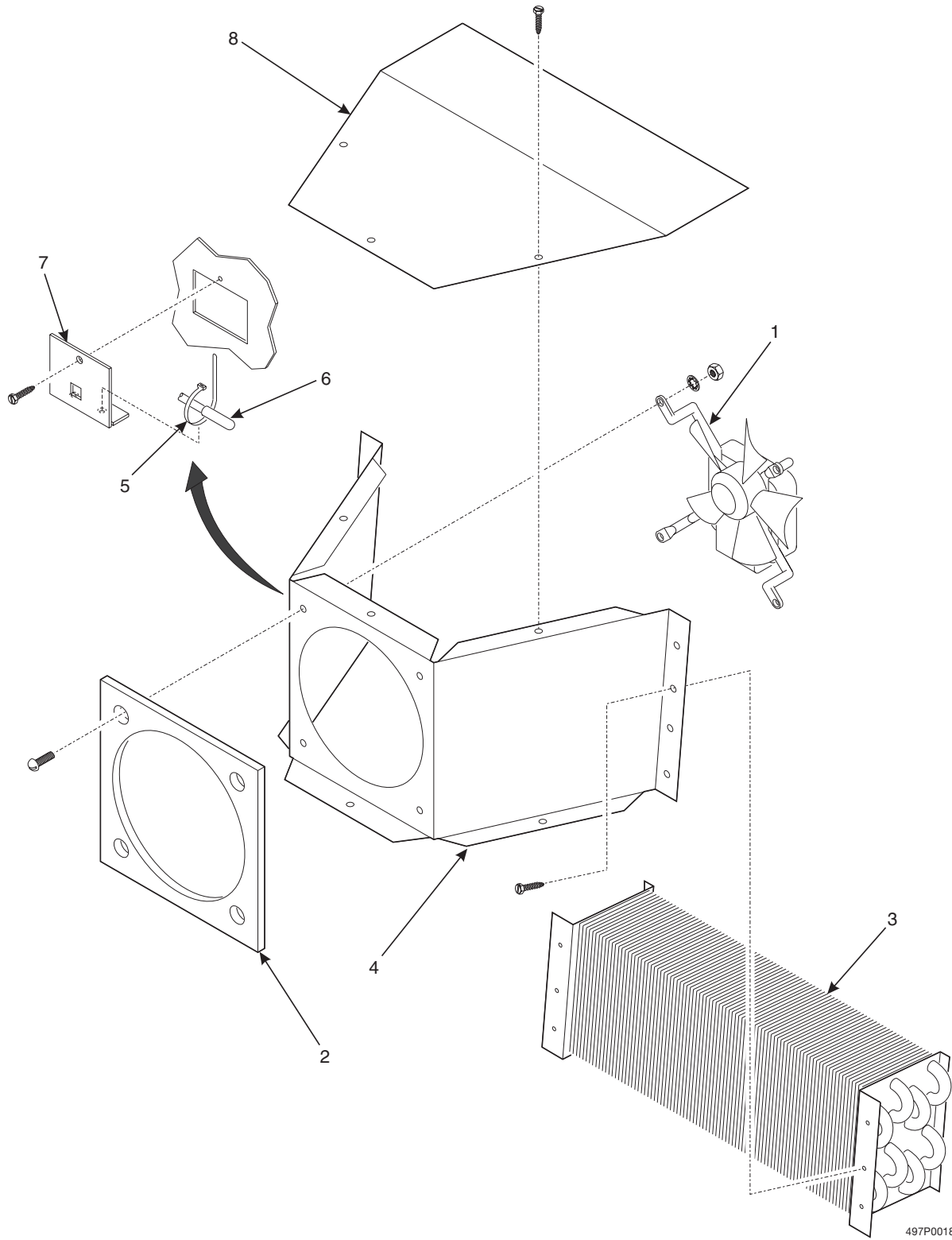
Figure 96. Condensing Unit



# Expanded Refreshment Center Parts Manual

**TABLE 96. CONDENSING UNIT**

INDEX	PART NUMBER	DESCRIPTION	QTY
1	4744109	CONDENSER - W/PROCESS TUBE (MODEL 497)	1
	4984022	COIL - CONDENSER (MODEL 498)	
2	3608149	BLADE - CONDENSER FAN FV - 700CW (MODEL 497)	1
	4774027	BLADE - CONDENSER FAN - 230V (MODEL 498)	
3	4744112	MOTOR - CONDENSER FAN - 120V (MODEL 497 - BRZ./MEX./U.S.)	4
	3618157	MOTOR - CONDENSER FAN - 230V (MODEL 497 - ARG./BRZ./L.A./S.A./N.Z.)	
	4774122	MOTOR - CONDENSER FAN - 230V (MODEL 498)	
4	4974018	BASE & STUD ASSEMBLY - CONDENSER (MODEL 497)	1
	4984038	BASE & STUD ASSEMBLY - CONDENSER (MODEL 498)	
5	4744009	BRACKET - CONDENSER MOTOR	1
6	4744022	PAN - CONDENSATE - MODEL 497 ONLY	1
	4644029	PAN - CONDENSATE - MODEL 498 ONLY	
7	4744106	BAG - COMPRESSOR COMPONENTS - 120V (MODEL 497 - BRZ./MEX./U.S.)	1
	4844015	BAG - COMPRESSOR COMPONENTS - 230V (MODEL 497 - ARG./BRZ./L.A./S.A./N.Z.)	
	4984034	BAG - COMPRESSOR COMPONENTS (MODEL 498)	
8	4744108	COMPRESSOR - AZ0370Y - R134A (MODEL 497 - BRZ./MEX./U.S.)	1
	4844014	COMPRESSOR - AZ0370Y - 220 V (MODEL 497 - ARG./BRZ./L.A./S.A./N.Z.)	
	4984033	COMPRESSOR - 220V (MODEL 498)	
9	3608146	SHROUD - CONDENSER FAN (MODEL 497)	1
	4984013	SHROUD - CONDENSER FAN (MODEL 498)	
-	4304192	LABEL - R134A - SMALL (NOT SHOWN)	1



497P0018

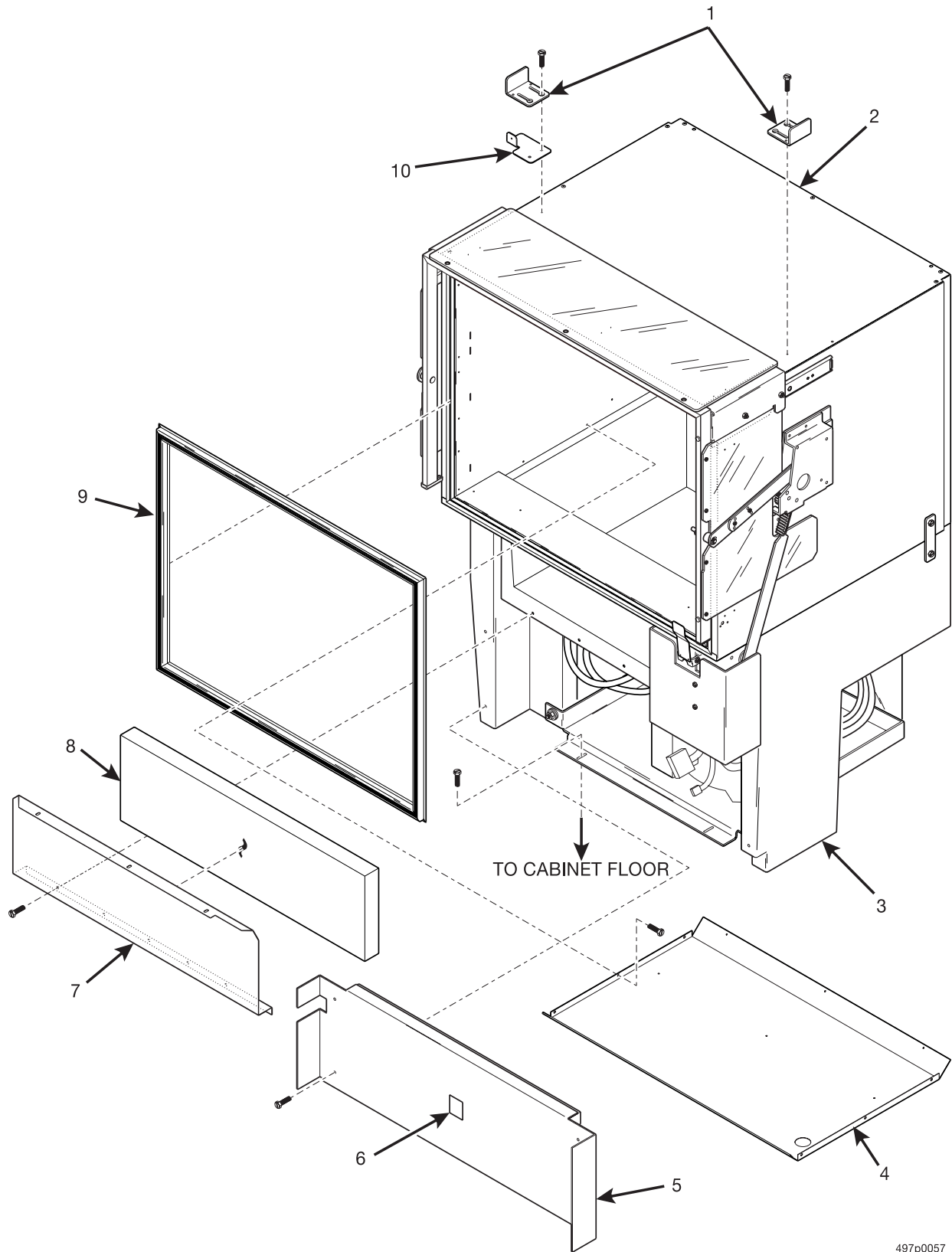
Figure 97. Shroud & Fan Assembly



# Expanded Refreshment Center Parts Manual

TABLE 97. SHROUD & FAN ASSEMBLY

INDEX	PART NUMBER	DESCRIPTION	QTY
1	4724124	FAN - EVAPORATOR (MODEL 497 - BRZ./MEX./U.S.)	1
	4844001	FAN - EVAPORATOR - 230V (MODEL 497 - ARG./BRZ./L.A./S.A./N.Z.)	
	4844001	FAN - EVAPORATOR - 230V (MODEL 498 - ALL COUNTRIES)	
2	4744069	GASKET - EVAPORATOR FAN SHROUD	1
3	4744044	EVAPORATOR (MODEL 497)	1
4	4744045	SHROUD - EVAPORATOR FAN (MODEL 497 ONLY)	1
	4984027	SHROUD - EVAPORATOR FAN (MODEL 498 ONLY)	
5	2204513	WIRE TIE #PLT 1.5IM	-
6	4119013	PROBE - TEMPERATURE SENSOR	1
7	4744030	PLATE - TEMPERATURE SENSOR (MODEL 497 ONLY)	1
-	4774013	BUSHING - OPEN/CLOSED - .38	2
8	4744020	SHROUD - TOP (MODEL 497 ONLY)	1
	4984027	SHROUD - EVAPORATOR FAN (MODEL 498 ONLY)	
-	1451056	8-32X.31 HWS TY23 ZB WAX	-
-	4721035	SCREW-#8-18 X .38-LGM	2
-	9900019	SCREW #8-32 X 3/8 RHS	-
-	9900081	NUT #8-32 KEPS ZINC PLATE	-



497p0057

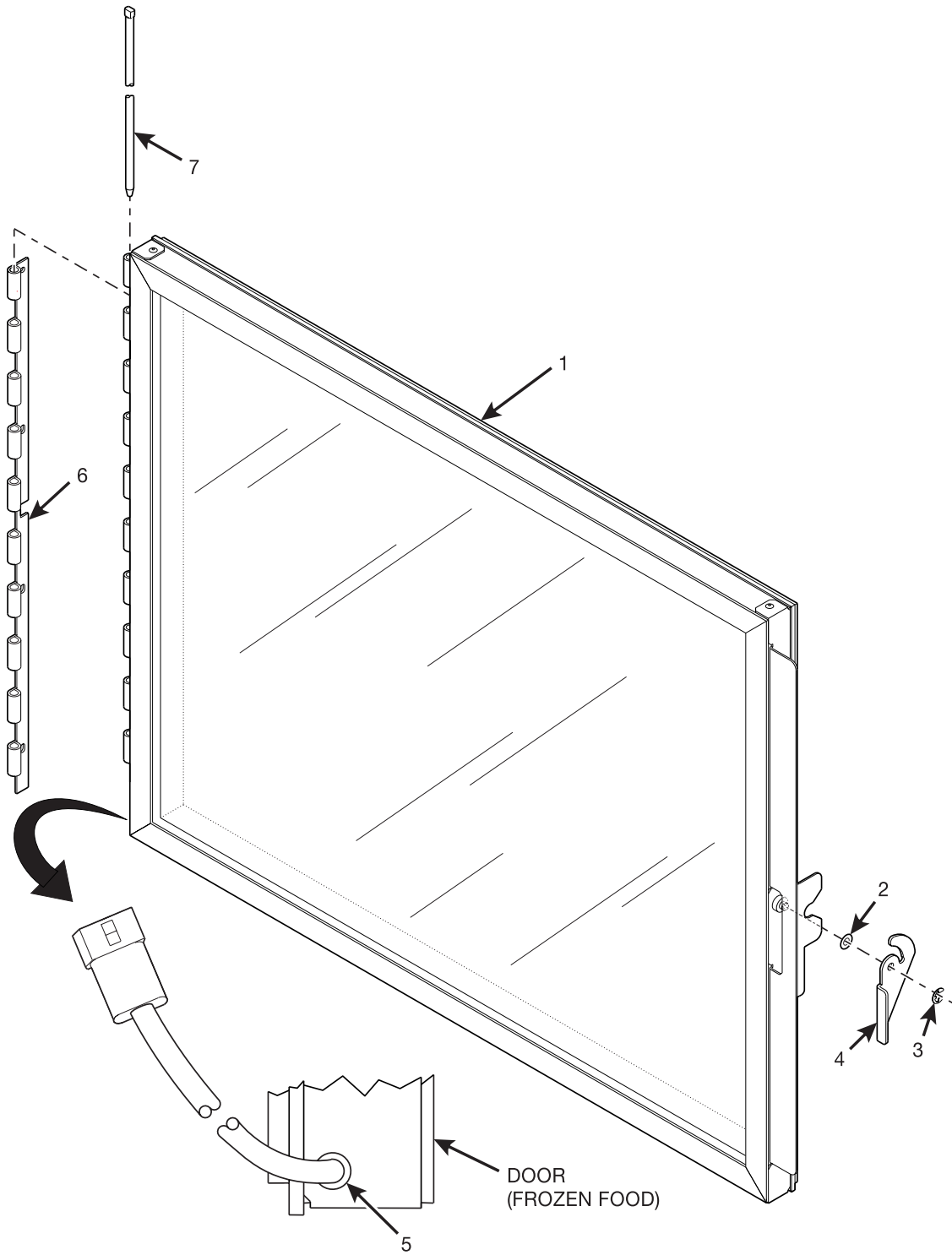
Figure 98. Cabinet Parts - Expanded Food



# Expanded Refreshment Center Parts Manual

TABLE 98. CABINET PARTS - EXPANDED FOOD

INDEX	PART NUMBER	DESCRIPTION	QTY
1	4747715	BRACKET - CABINET SUPPORT	2
2	4977075	FROZEN FOOD MODULE ASSEMBLY - 115 V	1
	4977001	COLD FOOD MODULE ASSEMBLY - 115 V	
	4987003	COLD FOOD MODULE ASSEMBLY - 230 V	
3	4974045	REFRIGERATION MODULE ASSEMBLY - COLD FOOD - 115 V	1
	4974025	REFRIGERATION MODULE ASSEMBLY - FROZEN FOOD - 115 V	
	4984048	REFRIGERATION MODULE ASSEMBLY - COLD FOOD - 230 V	
4	4975021	PANEL - LINEAR - BOTTOM	1
5	4974009	COVER AND SEAL ASSEMBLY - COMPRESSOR	1
6	6231189	LABEL - WARNING - HIGH VOLTAGE - ENGLISH	1
	6231216	LABEL - WARNING - HIGH VOLTAGE - GERMAN	
	6231229	LABEL - WARNING - HIGH VOLTAGE - FRENCH	
	6232290	LABEL - WARNING - HIGH VOLTAGE - SPANISH	
7	4974012	RETAINER - DOOR	1
8	4974007	DOOR - REFRIGERATION MODULE	1
9	4976050	DOOR ASSEMBLY - COLD FOOD (SEE FIGURE 99 FOR DETAILS)	1
	4977060	DOOR ASSEMBLY - 115 V - FROZEN FOOD (SEE FIGURE 99 FOR DETAILS)	
10	4977066	BRACKET - WIRE CLAMP MOUNTING - FROZEN FOOD	1



497p0056

Figure 99. Door Assembly - Food Module

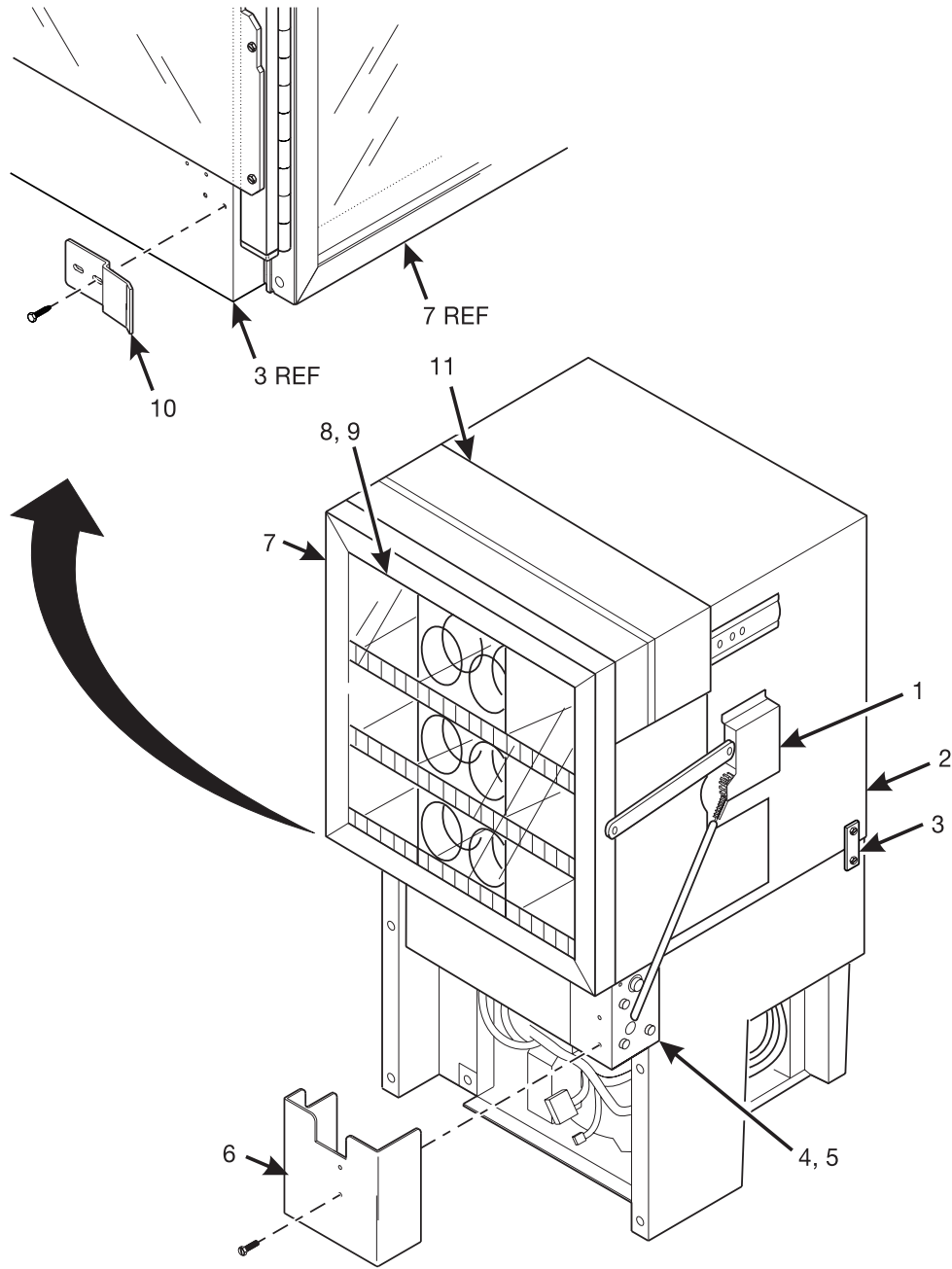




# Expanded Refreshment Center Parts Manual

TABLE 99. DOOR ASSEMBLY - FOOD MODULE

INDEX	PART NUMBER	DESCRIPTION	QTY
1	4976050	DOOR ASSEMBLY - COLD FOOD	1
	4977060	DOOR ASSEMBLY - 115 V - FROZEN FOOD	
2	5220113	SPRING WASHER .500 X .254 X .006	1
3	9900425	RETAINING RING REINF. E TYP. 250	1
4	4976055	LEVER - LATCH	1
5	4747718	HEYCO - .281 ID X .250 LG (FROZEN FOOD)	1
6	4976070	HINGE - FOOD MODULE DOOR - PAINTED	1
7	4976058	PIN - HINGE	1



497p0055

Figure 100. Cold Food Module Assembly



# Expanded Refreshment Center Parts Manual

TABLE 100. COLD FOOD MODULE ASSEMBLY

INDEX	PART NUMBER	DESCRIPTION	QTY
1	4975017	DRIVE ARM ASSEMBLY - R.H. (SEE FIGURE 104 FOR DETAILS)	1
	4975010	DRIVE ARM ASSEMBLY - L.H. (SEE FIGURE 103 FOR DETAILS)	
2	4975052	REFRIGERATION BOX ASSEMBLY - FOAMED	1
3	4747062	MOUNTING STRAP - CAN MODULE	2
4	4407077	MOTOR MOUNTING BRACKET ASSEMBLY - 110 V (SEE FIGURE 106 FOR DETAILS)	1
5	-	MOTOR TO DRIVE ARM ASSEMBLIES CONNECTION DETAIL (SEE FIGURE 101 FOR DETAILS)	-
6	4747725	COVER - MOTOR ASSEMBLY	1
7	4976050	DOOR ASSEMBLY - COLD FOOD (SEE FIGURE 100 FOR DETAILS)	1
	4977060	DOOR ASSEMBLY - 115 V - FROZEN FOOD (SEE FIGURE 100 FOR DETAILS)	
8	4612001	DECAL "CHILLED FOR FRESHNESS"	1
9	4741223	DECAL "COLD/FROZEN FOOD"	1
10	4975002	BRACKET - FRAME SUPPORT	1
11	4976066	DOOR FRAME ASSEMBLY (SEE FIGURE 102 FOR DETAILS)	1



497p0054

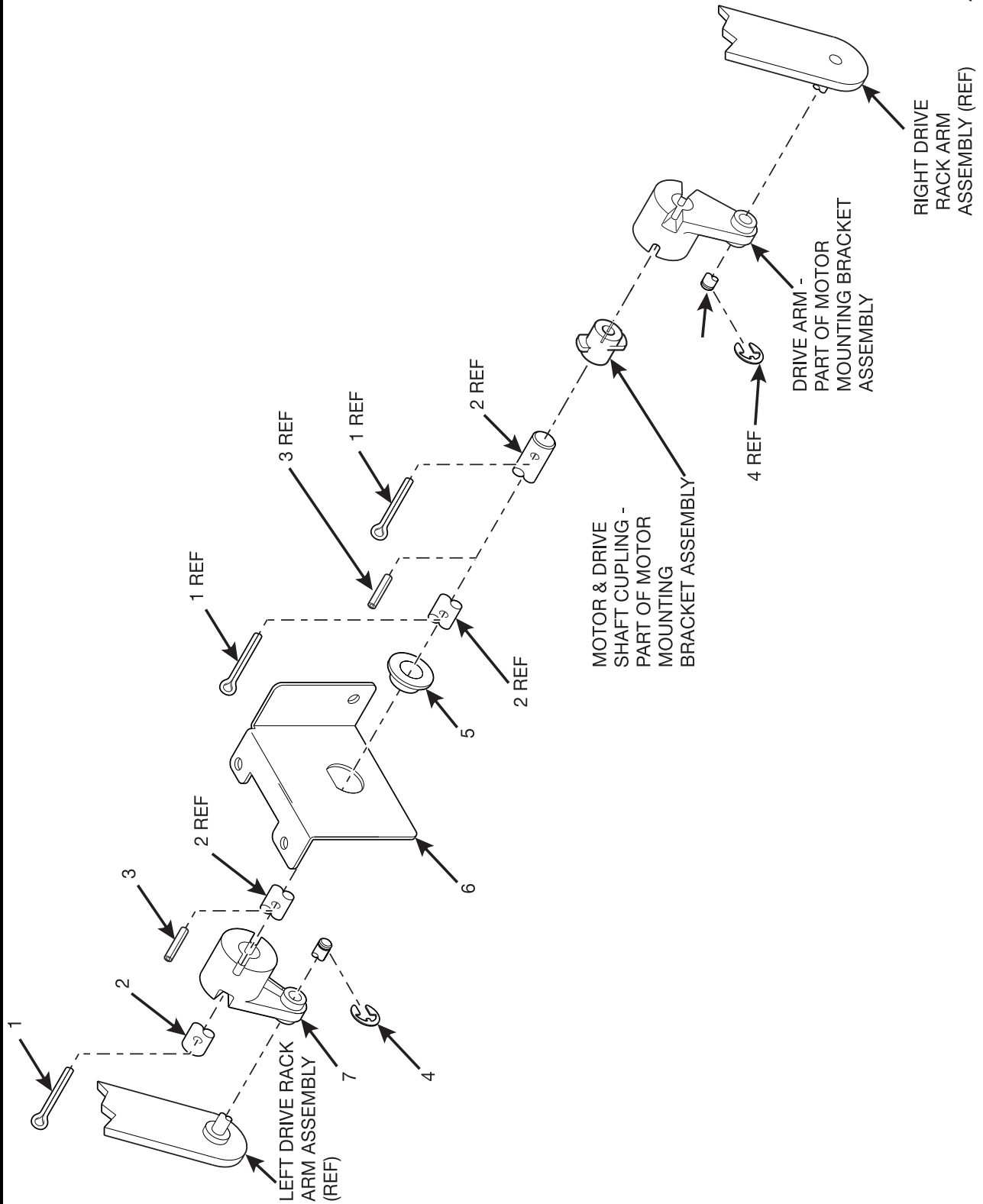


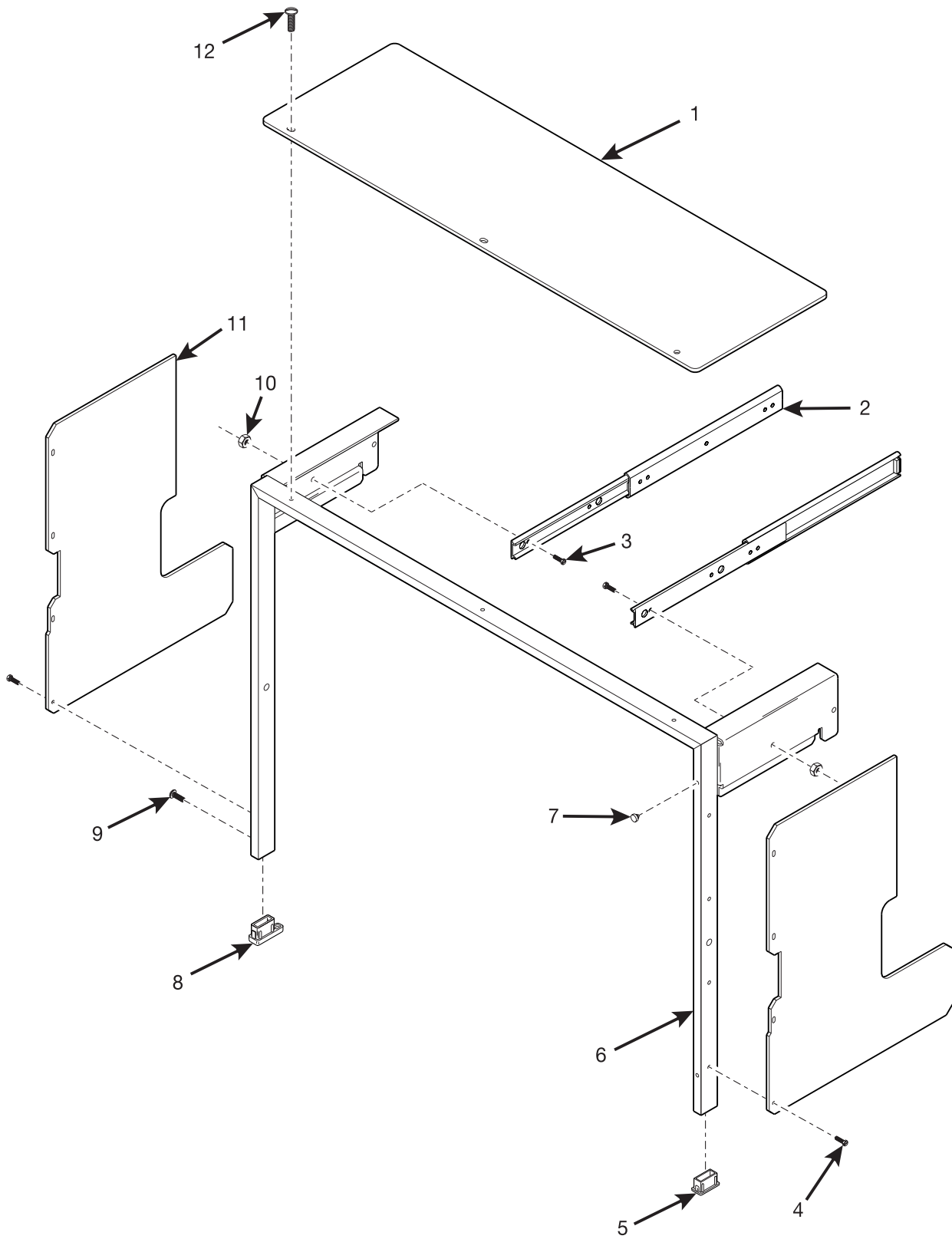
Figure 101. Motor to Drive Arm Assemblies Connection Detail



# Expanded Refreshment Center Parts Manual

TABLE 101. MOTOR TO DRIVE ARM ASSEMBLIES CONNECTION DETAIL

INDEX	PART NUMBER	DESCRIPTION	QTY
1	9900098	COTTER PIN - 3/32 X 3/4 IN	3
2	4975023	SHAFT - DRIVE	1
3	3127034	ROLL PIN - 1/8 X 13/16	2
4	9900425	RETAINING RING - REINF. E TYP .250	2
5	4047012	SHOULDER BUSHING	1
6	4407088	BRACKET - DRIVE SHAFT	1
7	4407079	ARM - DRIVE	1



497p0030

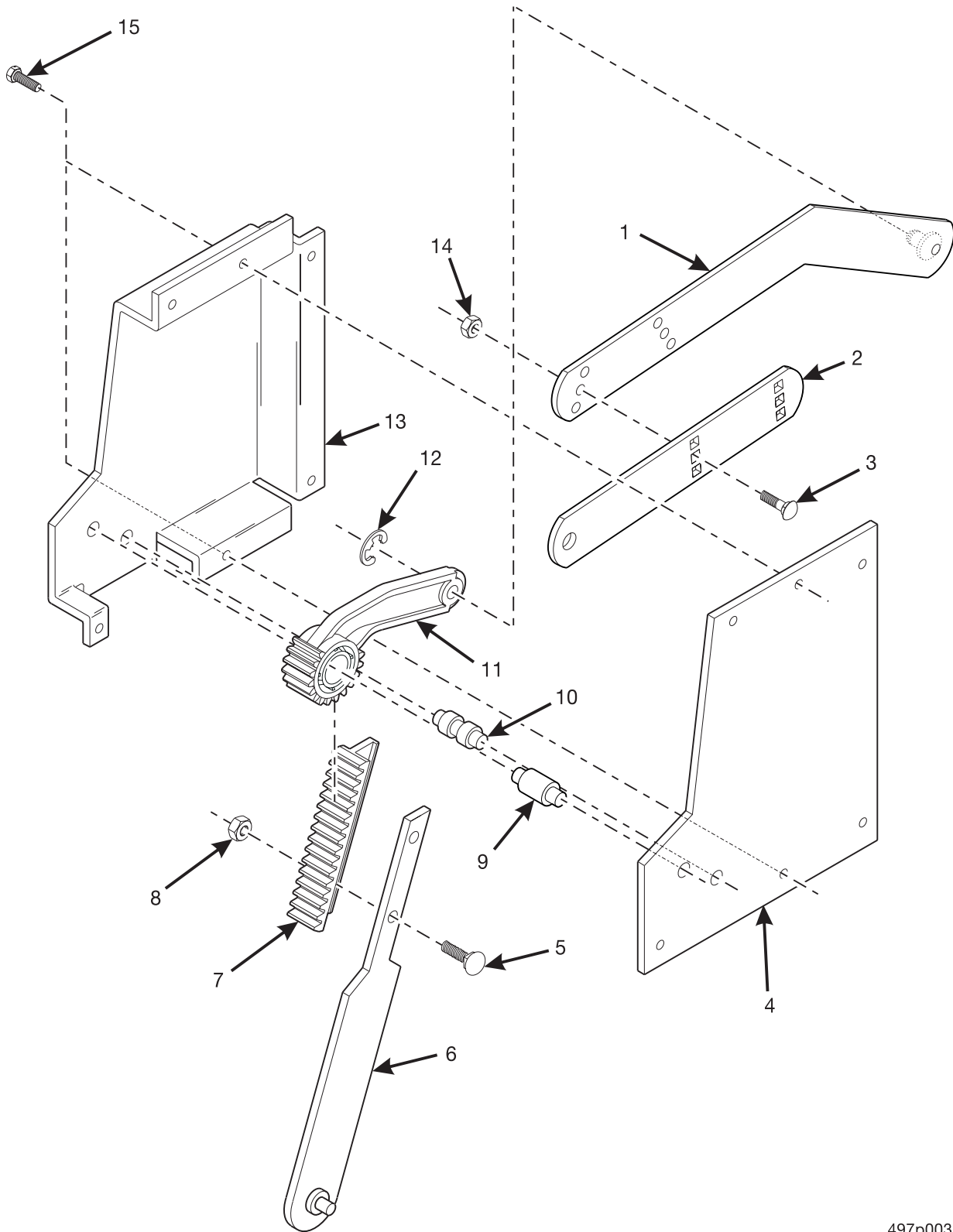
Figure 102. Food Module Door Frame Assembly



# Expanded Refreshment Center Parts Manual

TABLE 102. FOOD MODULE DOOR FRAME ASSEMBLY

INDEX	PART NUMBER	DESCRIPTION	QTY
-	4976066	DOOR FRAME ASSEMBLY - FOOD MODULE	-
1	4976067	SHIELD - TOP	1
2	4407103	SLIDE - 10"	2
3	1451097	SCREW - #8-32 X .31 HEX HD - T/F - BLACK	4
4	9900118	SCREW - #8-32 X 3/8 PHS	4
5	4976068	DOOR FRAME WELD ASSEMBLY - FIXED	1
6	1479120	CAP PLUG - RECTANGULAR - 1/2 X 1	1
7	4976072	GROMMET	2
8	4407101	SUPPORT - DOOR FRAME	1
9	9900166	SCREW - #80-32 X 5/16 THS S/T	1
10	1412046	8-32 NUT 23TW832 BLOX	4
11	1452312	SCREW - #10-32 X .31 THS - 5/F - BLACK	3
12	4976069	SHIELD - SIDE	2



497p0031

Figure 103. Left Hand Drive Arm Assembly



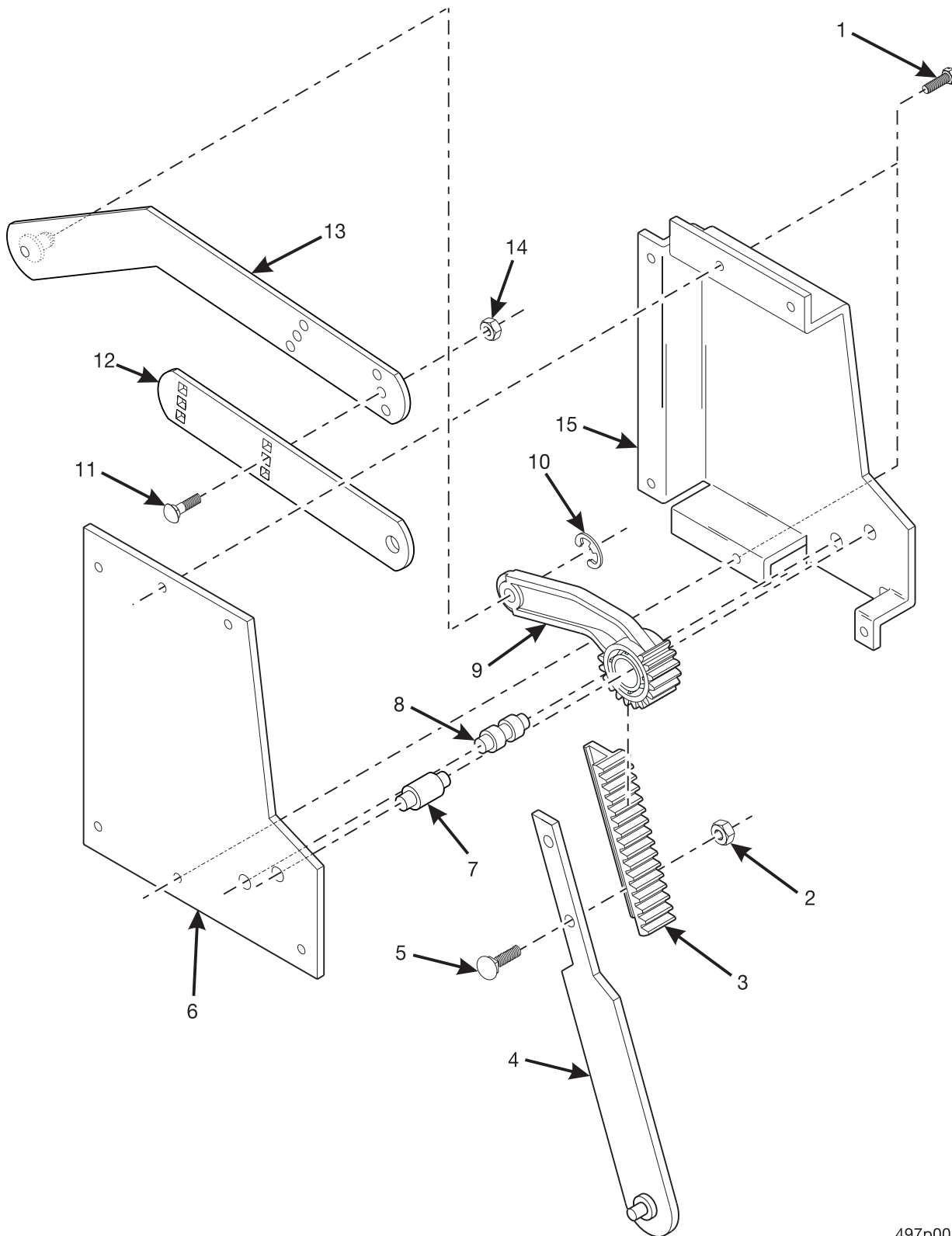


# Expanded Refreshment Center Parts Manual

TABLE 103. LEFT HAND DRIVE ARM ASSEMBLY

INDEX	PART NUMBER	DESCRIPTION	QTY
1	4975015	DRIVE ARM AND STUD ASSEMBLY L.H.	1
2	4975014	ARM - DOOR DRIVE - SHORT	1
3	1106656	CARRIAGE BOLT - #8-32 X 5/16 ZP	2
4	4407053	PLATE - TOGGLE - L.H.	1
5	1306140	8-32 X 3/8 CARR BOLT BLK/OX	2
6	4407067	DRIVE RACK ARM ASSEMBLY	1
7	4407066	RACK - DRIVE	1
8	9900072	NUT - #8-32 SELF-LOCKING	2
9	4975013	PIVOT - TOGGLE ARM	1
10	4407055	ROLLER - DRIVE RACK	1
11	4975011	ARM - TOGGLE	1
12	9900425	RETAINING RING REINF E TYP .250	1
13	4407133	COVER - TOGGLE - L.H.	1
14	1412046	8-32 NUT MF 23TW832 BLOX	2
15	1451097	SCREW - #8-32 X .31 HEX HD TF-BLK	1

NOTE: FOR ATTACHMENT DETAILS, SEE FIGURE 105.



497p0032

Figure 104. Right Hand Drive Arm Assembly

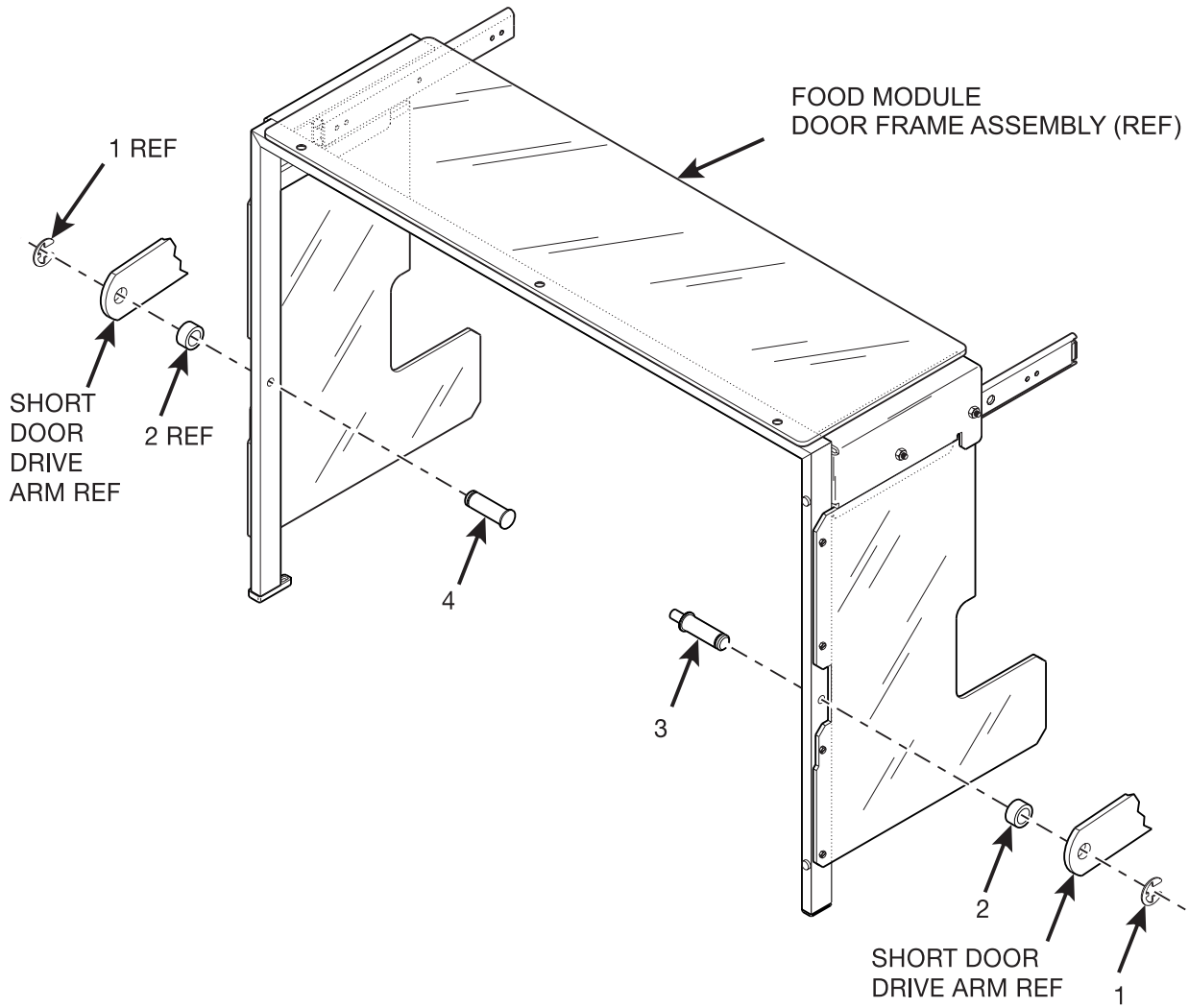


# Expanded Refreshment Center Parts Manual

TABLE 104. RIGHT HAND DRIVE ARM ASSEMBLY

INDEX	PART NUMBER	DESCRIPTION	QTY
1	1451097	SCREW - #8-32 X .31 HEX HD TF-BLK	1
2	9900072	NUT - #8-32 SELF-LOCKING	2
3	4407066	RACK - DRIVE	1
4	4407067	DRIVE RACK ARM ASSEMBLY	1
5	1306140	8-32 X 3/8 CARR BOLT BLK/OX	2
6	4407070	PLATE - TOGGLE - R.H.	1
7	4975013	PIVOT - TOGGLE ARM	1
8	4407055	ROLLER - DRIVE RACK	1
9	4975011	ARM - TOGGLE	1
10	9900425	RETAINING RING REINF E TYP .250	1
11	1106656	CARRIAGE BOLT - #8-32 X 5/16 ZP	2
12	4975014	ARM - DOOR DRIVE - SHORT	1
13	4975019	DRIVE ARM AND STUD ASSEMBLY R.H.	1
14	1412046	8-32 NUT MF 23TW832 BLOX	2
15	4407134	COVER - TOGGLE - R.H.	1

NOTE: FOR ATTACHMENT DETAILS, SEE FIGURE 105.



497P0051

Figure 105. Drive Arm Assembly Attachment Details



# Expanded Refreshment Center Parts Manual

TABLE 105. DRIVE ARM ASSEMBLY ATTACHMENT DETAILS

INDEX	PART NUMBER	DESCRIPTION	QTY
1	9900431	RETAINING RING - REINF. E TYP .312	2
2	4977003	SPACER	2
3	4977004	STUD - FRAME DRIVE ARM - R.H.	1
4	4977002	STUD - FRAME DRIVE ARM - L.H.	1

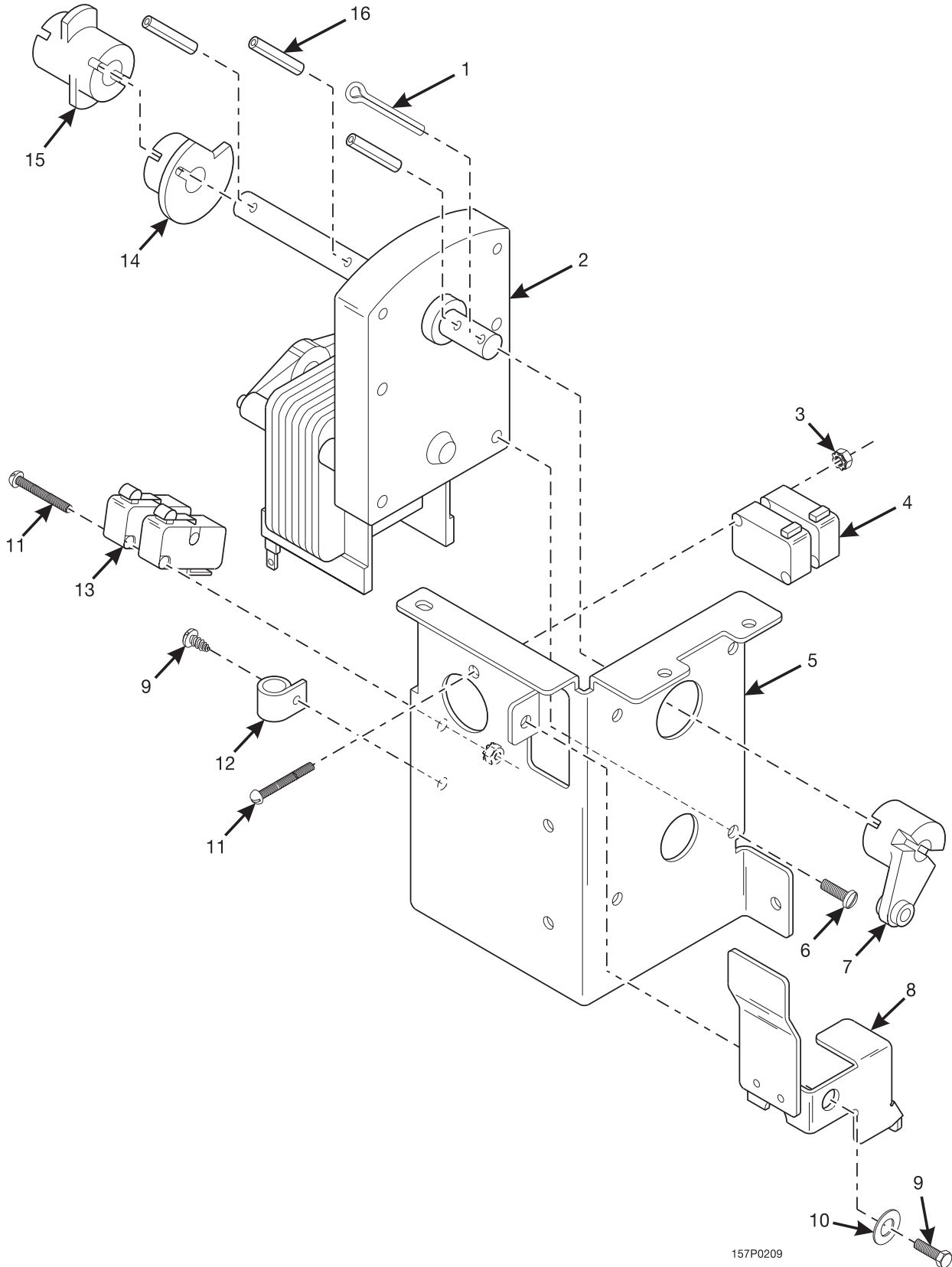


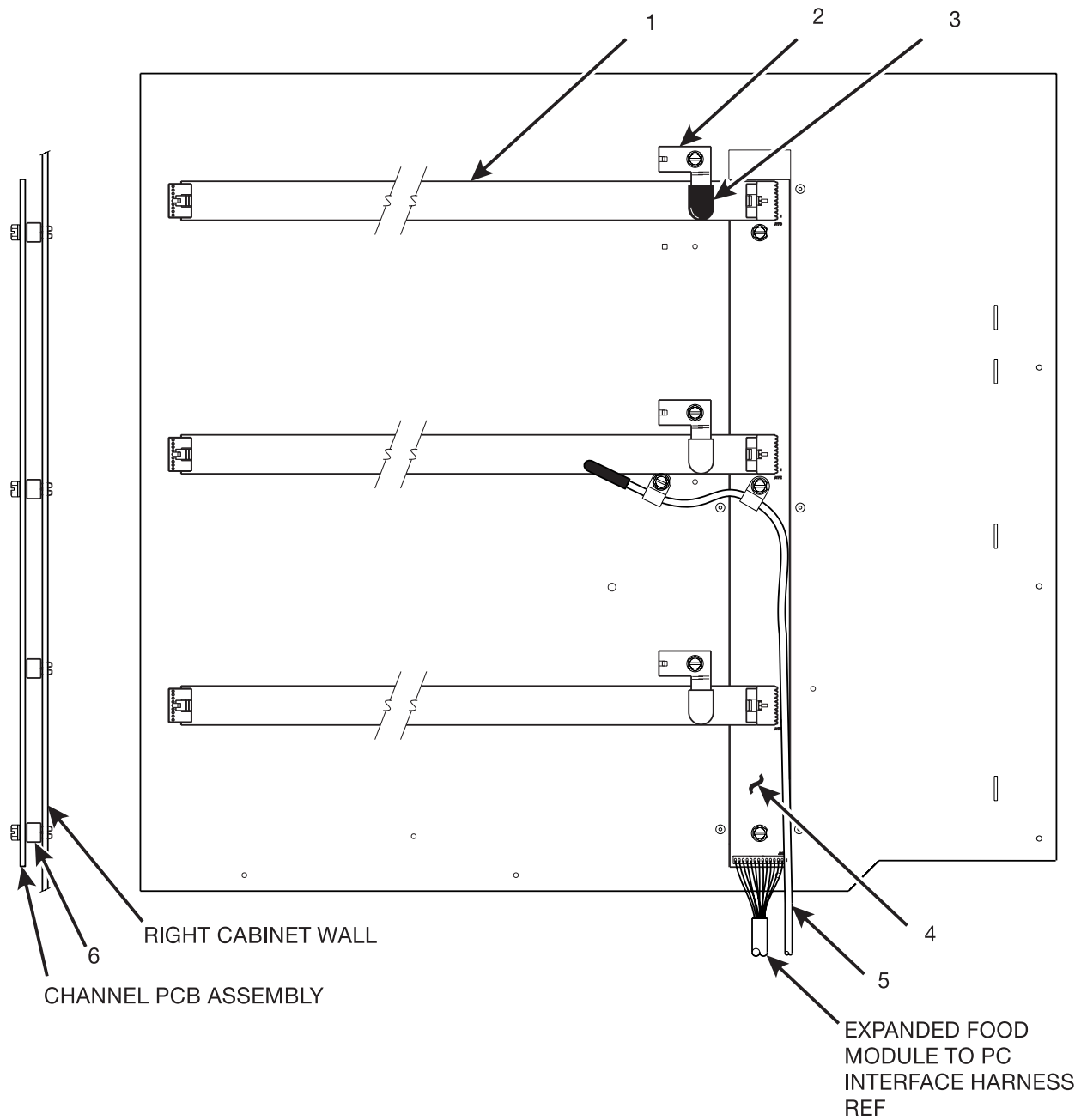
Figure 106. Motor Mounting Bracket Assembly



# Expanded Refreshment Center Parts Manual

TABLE 106. MOTOR MOUNTING BRACKET ASSEMBLY

INDEX	PART NUMBER	DESCRIPTION	QTY.
-	4407077	MOTOR MOUNTING BRACKET ASSEMBLY	-
1	9900098	COTTER PIN - 3/32 X 3/4 IN	1
2	4407157	MOTOR - FOOD MODULE	1
3	1217159	4-40 KEPS W/EXT L/WAS H ZP	4
4	2306488	SWITCH V3 - 1101 - D8	2
5	4407131	MOUNTING BRACKET - MOTOR	1
6	9900023	SCREW #8-32 X .37 PHS W/LW	4
7	4407079	ARM - DRIVE	1
8	4407084	ACTUATOR ASSEMBLY - H.C. SWITCH	1
9	1451097	SCREW - #8-32X.31 HEX HD.TF - BLK.	2
10	2228011	SPACER RELEASE ARM	1
11	5201086	SCREW #4 40 X 1 RHS	4
12	1452139	RETAINER HARNESS	1
13	2304109	SWITCH ROLLER LEVER V3L - 139 - D8	2
14	4407093	CAM - H.C.SWITCH OVERRIDE	1
15	4407080	COUPLING - MOTOR & DRIVE SHAFT	1
16	3127034	ROLL PIN 1/8 X 13/16	3



CABINET INTERIOR- RIGHT SIDE VIEW  
(SHOWN WITH TRAY RAILS REMOVED)

497P0062

Figure 107. Food Module Cabinet Interior - Right Side (Part 1 of 2)

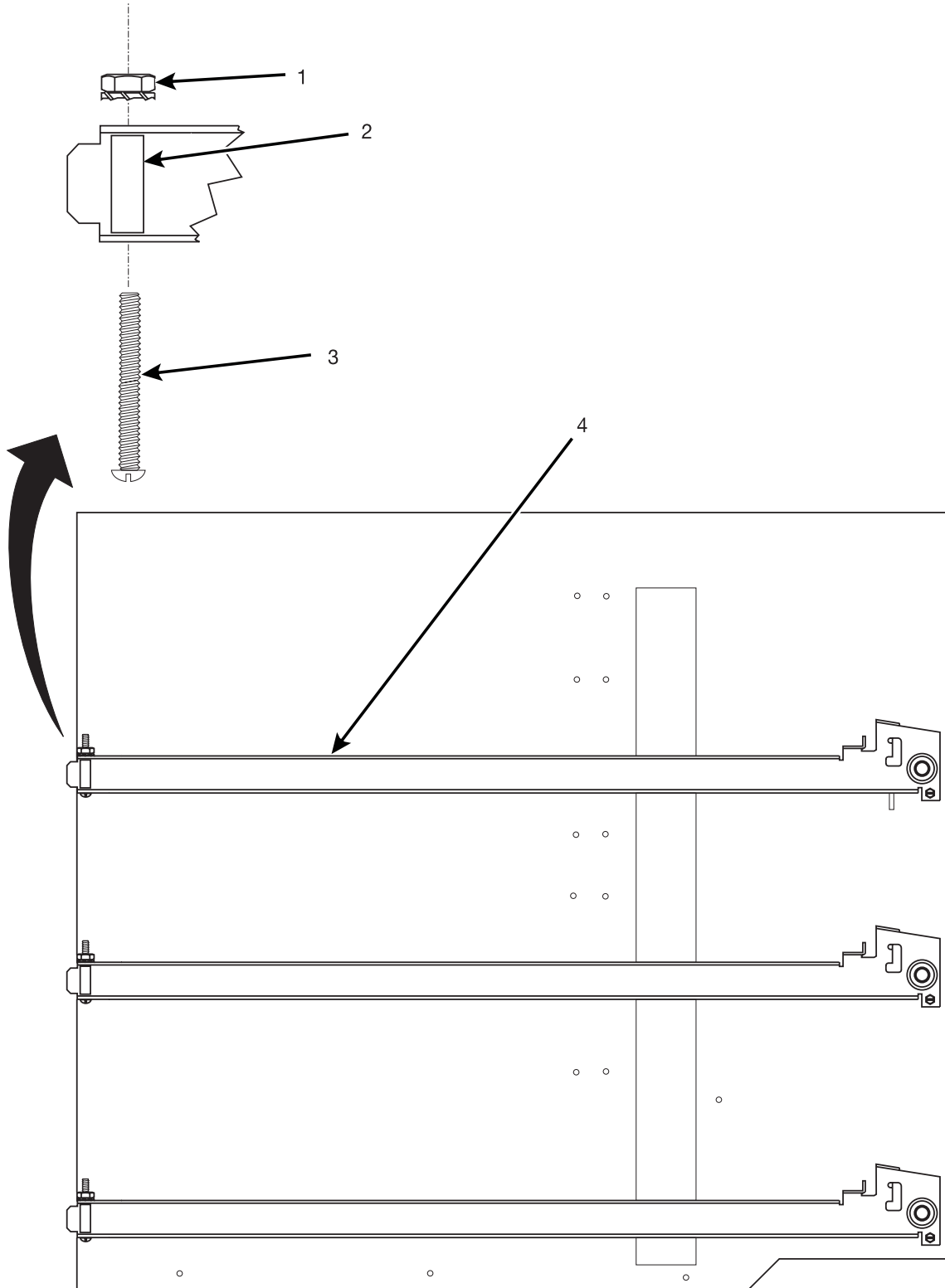




# Expanded Refreshment Center Parts Manual

TABLE 107. FOOD MODULE CABINET INTERIOR - RIGHT SIDE (PART 1 OF 2)

INDEX	PART NUMBER	DESCRIPTION	QTY.
1	4979000	FLAT CABLE ASSEMBLY	3
2	4407156	KEEPER - HARNESS	3
3	4407014	RECTANGULAR CLOSURE	3
4	4976103	PCB ASSEMBLY - CHANNEL - EXPANDED FOOD	1
5	4119013	PROBE - TEMPERATURE SENSOR	1
6	4041049	SPACER - PRICE BOARD	4



CABINET INTERIOR - RIGHT SIDE VIEW  
Figure 108. Food Module Cabinet Interior - Right Side (Part 2 of 2)

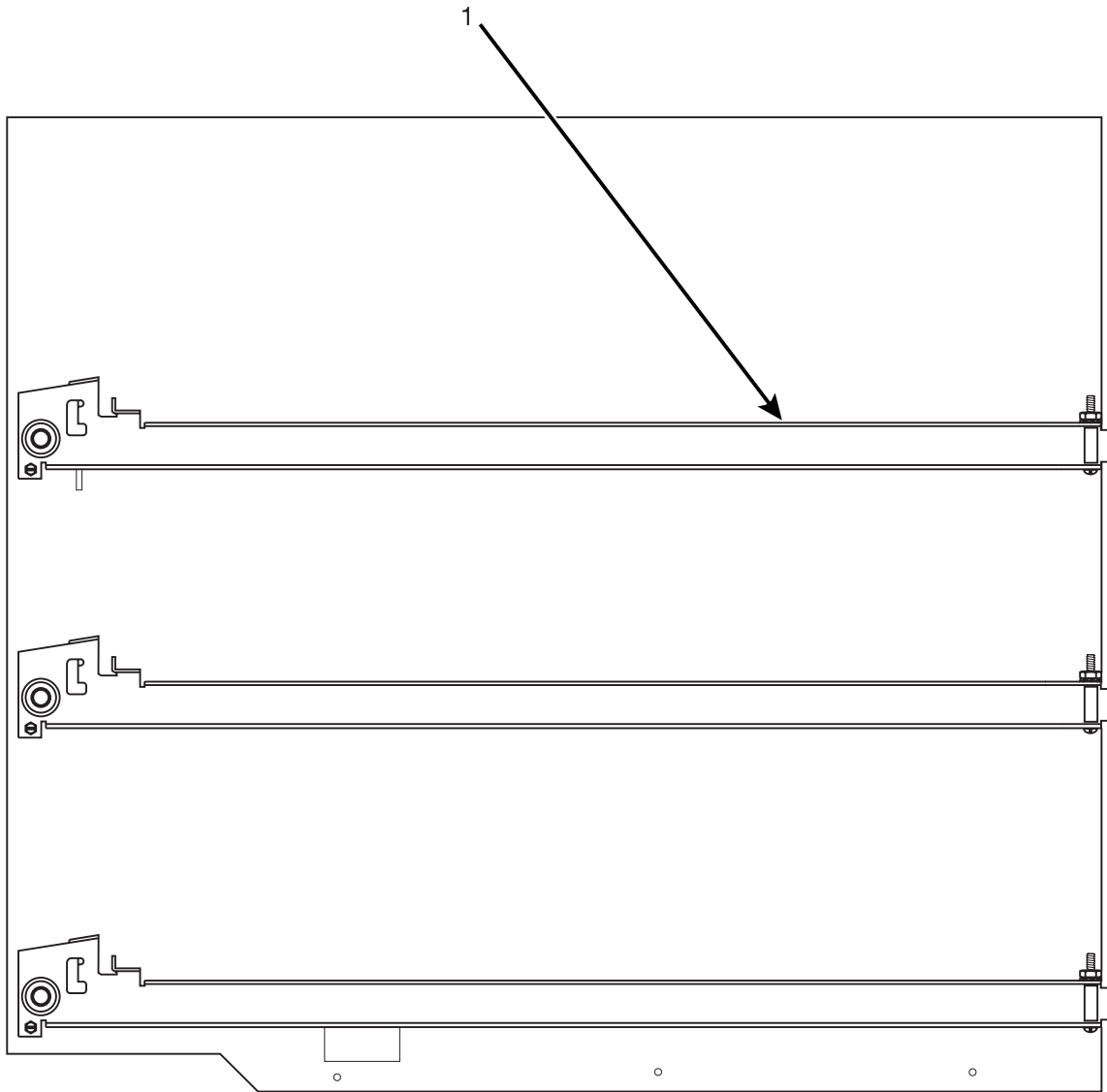
497p0063



# Expanded Refreshment Center Parts Manual

TABLE 108. FOOD MODULE CABINET INTERIOR - RIGHT SIDE (PART 2 OF 2)

INDEX	PART NUMBER	DESCRIPTION	QTY.
1	6104424	NUT - #10-32 SS EXT. LW	3
2	4407016	WIRE COVER - 6138236 - .208 X .88	3
3	4402037	SCREW - #10-32 X 1-1/2 RHS - SS	3
4	4407020	RAIL AND STOP ASSEMBLY - R.H.	3



CABINET INTERIOR - LEFT SIDE VIEW

497p0061

Figure 109. Cabinet Interior - Left Side View



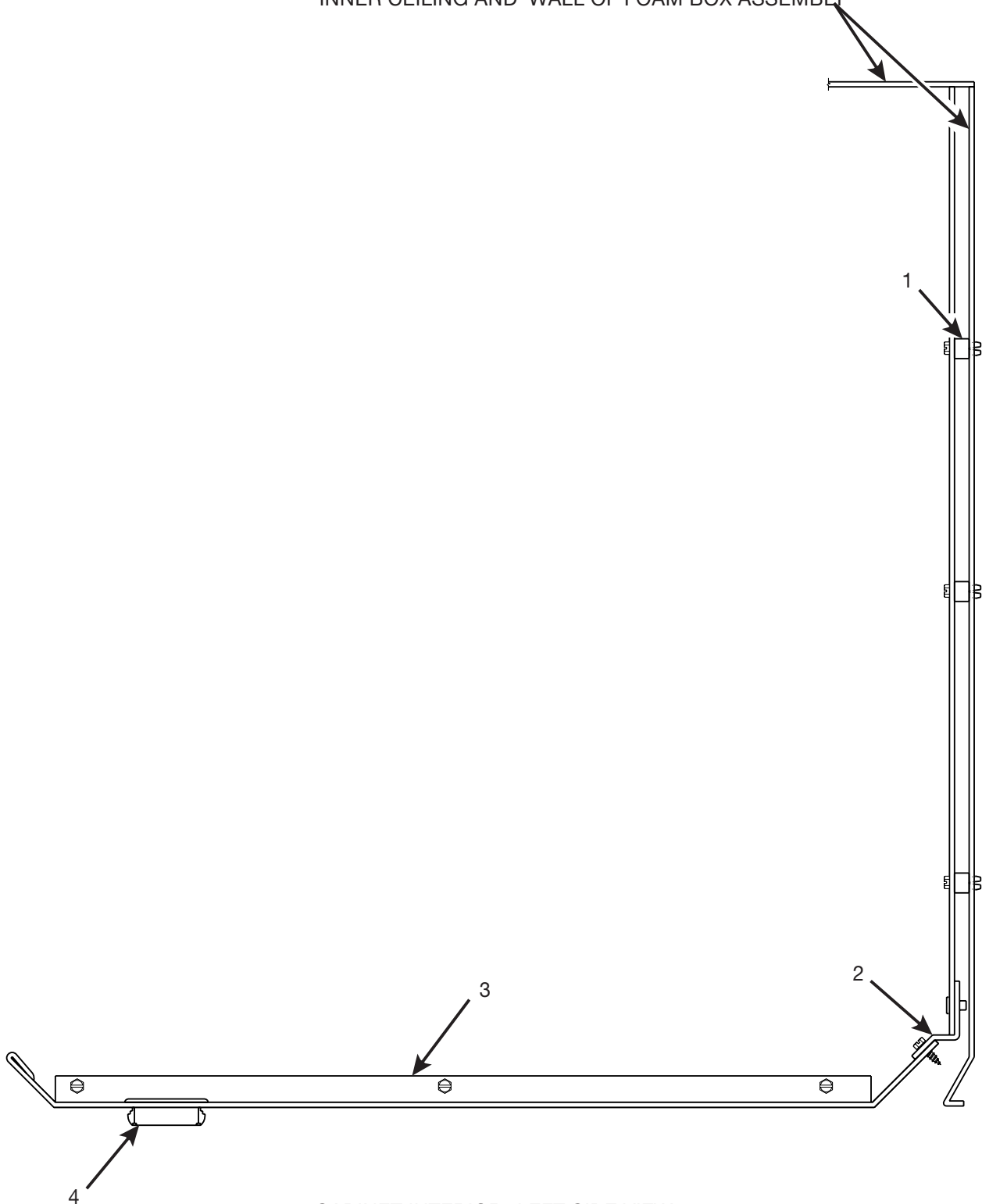
# Expanded Refreshment Center Parts Manual

TABLE 109. CABINET INTERIOR - LEFT SIDE VIEW

INDEX	PART NUMBER	DESCRIPTION	QTY.
1	4407015	RAIL AND STOP ASSEMBLY - L.H.	3



INNER CEILING AND WALL OF FOAM BOX ASSEMBLY



CABINET INTERIOR- LEFT SIDE VIEW

497P0064

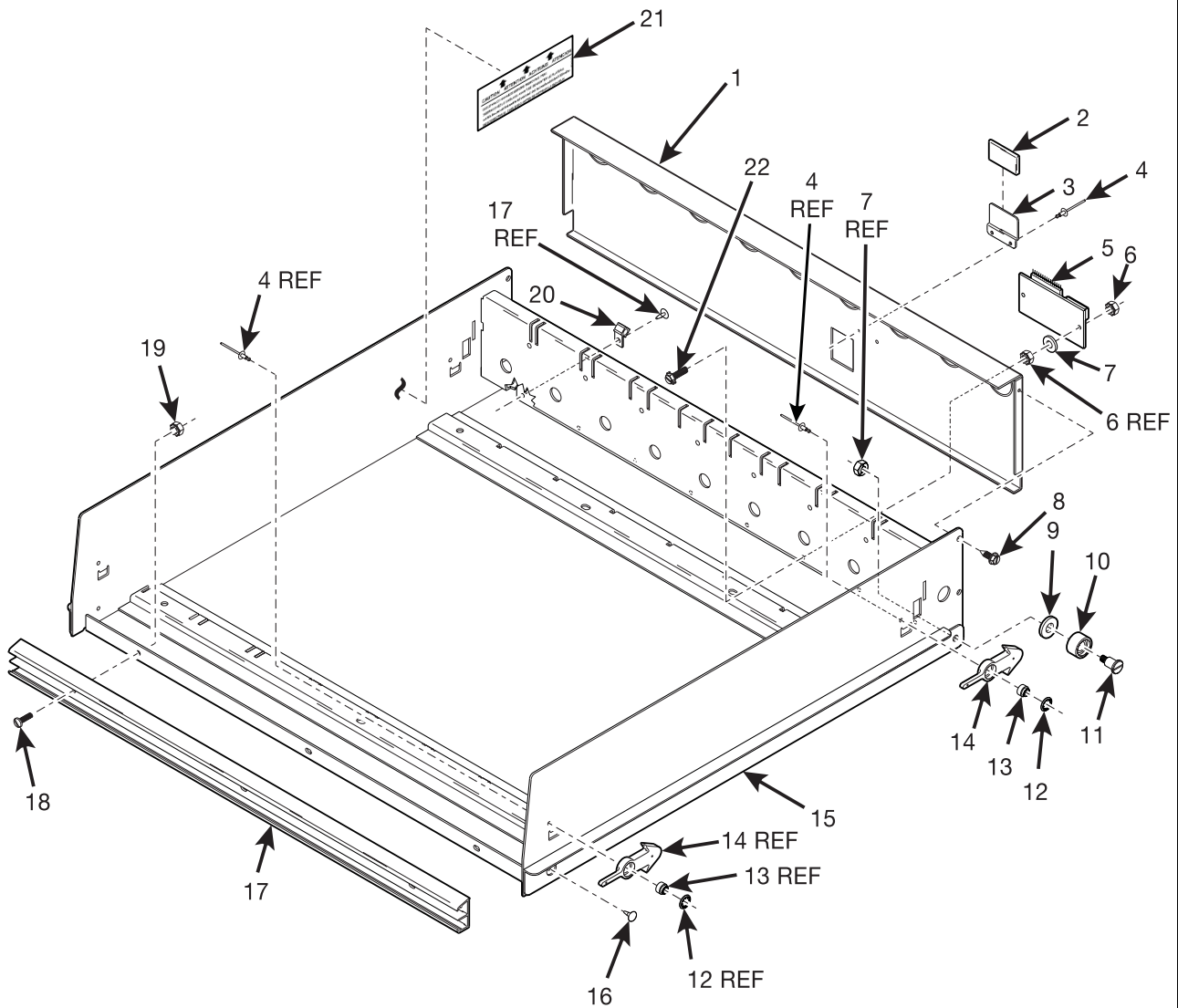
Figure 110. Food Module Cabinet Interior - Section



# Expanded Refreshment Center Parts Manual

TABLE 110. FOOD MODULE CABINET INTERIOR - SECTION

INDEX	PART NUMBER	DESCRIPTION	QTY.
1	4241165	SPACER - LINER .375 LG X .500 DIA	5
2	4975048	SUPPORT - AIR DUCT - COLD FOOD	1
	4975050	AIR DUCT ASSEMBLY - FROZEN FOOD	
3	4975021	PANEL - LINER - BOTTOM	1
4	3106186	BUSHING #SB1187-15	1



497p0034

Figure 111. Food Module Tray Frame Assembly





# Expanded Refreshment Center Parts Manual

TABLE 111. FOOD MODULE TRAY FRAME ASSEMBLY

INDEX	PART NUMBER	DESCRIPTION	QTY.
-	4977220	TRAY FRAME ASSEMBLY	-
1	4977221	COVER - TRAY MOTORS	1
2	4977212	RECTANGULAR CLOSURE	1
3	4977214	BRACKET - CABLE CLAMP	1
4	3502078	RIVET - POP .125 DIA X .265	2
5	4976105	PCB ASSEMBLY - TRAY - EXPANDED FOOD	1
6	4402046	NUT - #1/4 - 20 SELF-LOCKING S.S.	2
7	5220042	NYLON WASHER	2
8	4402038	SCREW - #8-15 X .38 STAINLESS	4
9	4402041	WASHER - 5/8 X 9/32 X 1/16 - S.S.	2
10	4407019	ROLLER - TRAY	2
11	4407514	STUD - TRAY ROLLER	2
12	5201267	PUSH-ON RETAINER .312	4
13	4977208	STUD - LATCH - TRAY	4
14	1477017	LATCH	4
15	4977218	TRAY ASSEMBLY - WELD	1
16	4042556	CANOE CLIP	7
17	4975026	RAIL - PRICE AND SELECTION	1
18	3108221	SCREW - #8-32 X 3/8 PHS ST. STL.	5
19	4402043	NUT - #8-32 W/L.W. - S.S.	5
20	4402315	CLIP - WIRE HARNESS	7
21	4757500	LABEL - TRAY REMOVAL	1
22	6107244	SCREW - #6-32 X 9/16 PHS W/LW S.S.	2

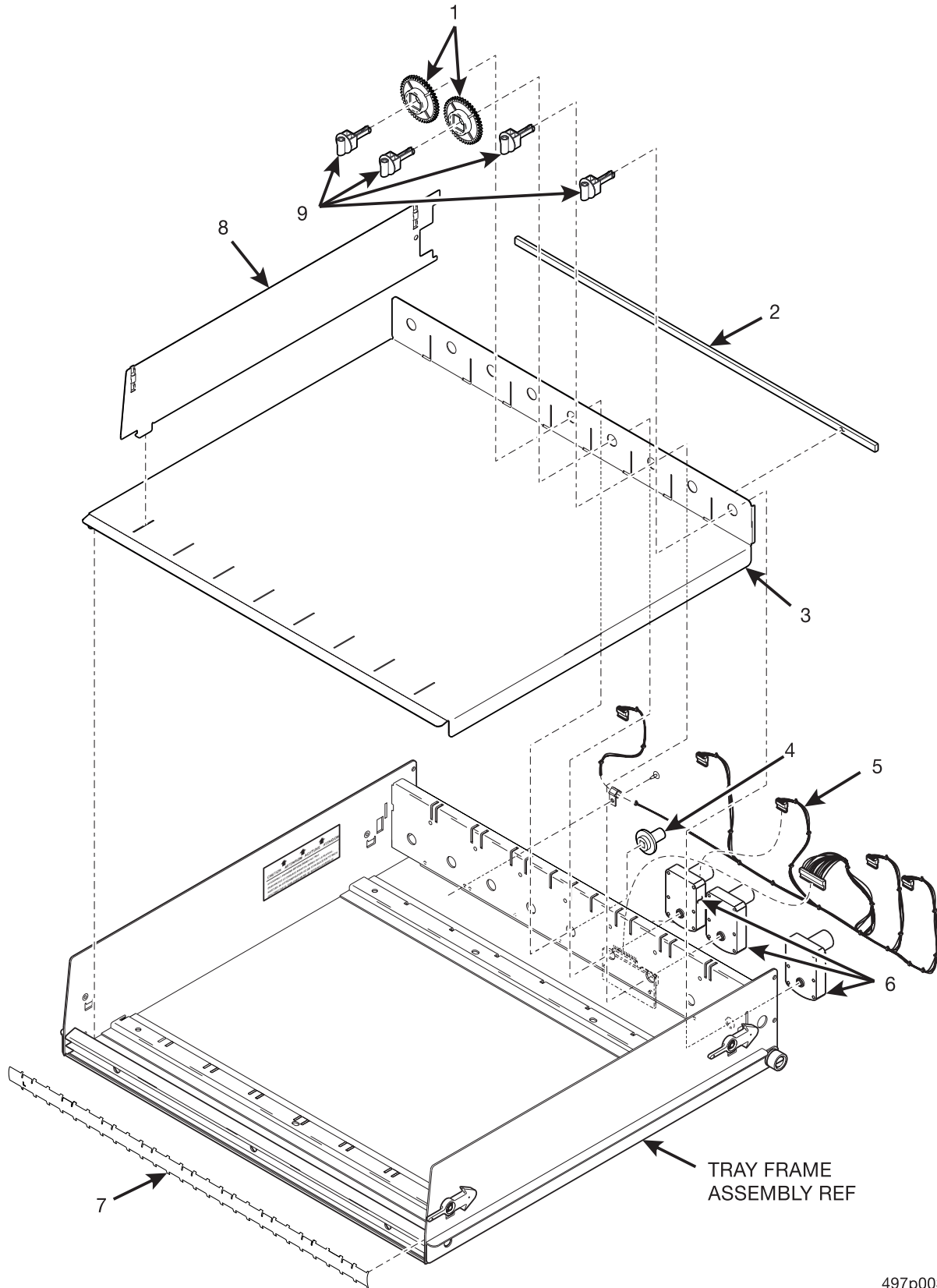


Figure 112. Spiral Tray Assembly - 5, 6, and 9 Motor

497p0036



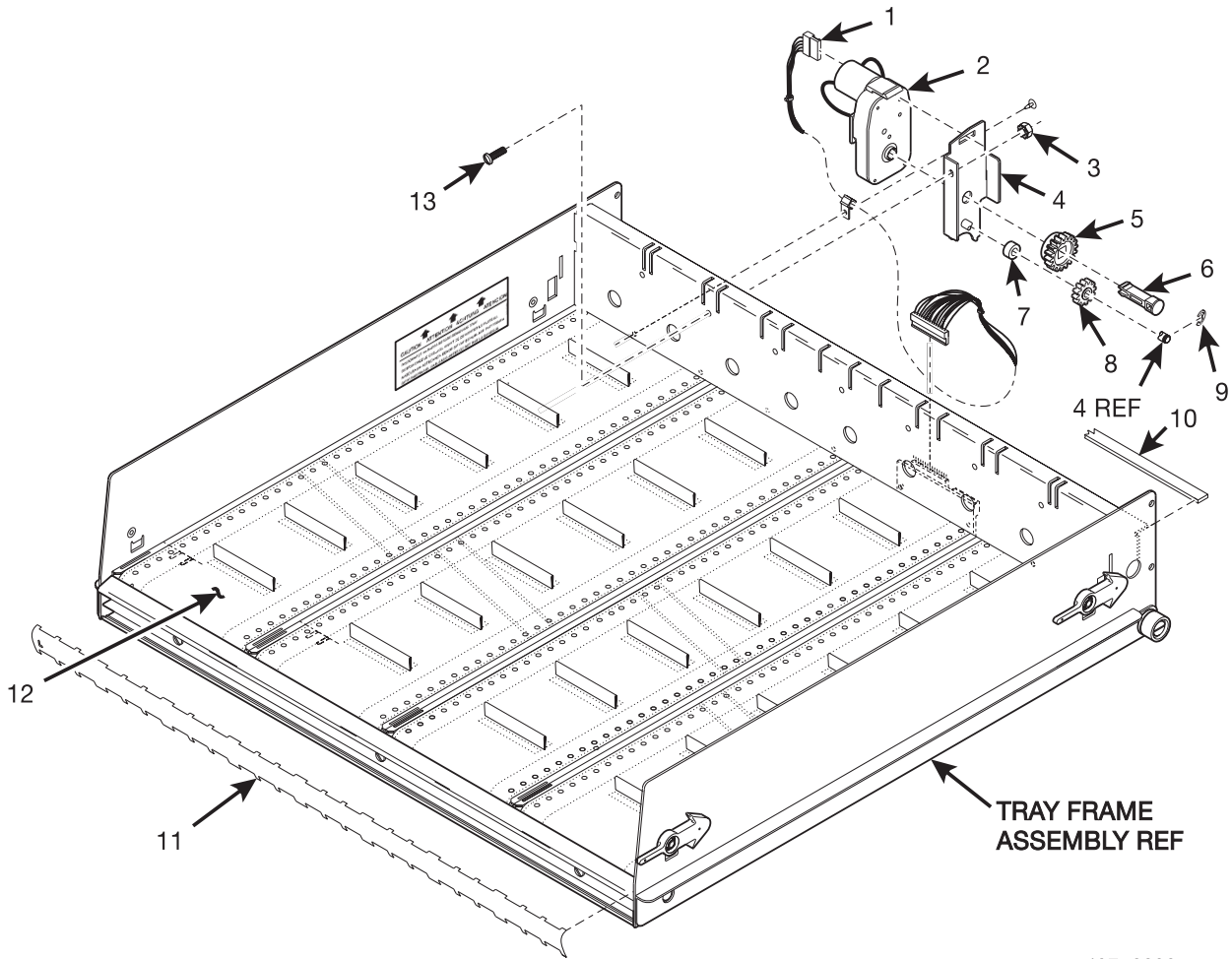
# Expanded Refreshment Center Parts Manual

**TABLE 112. SPIRAL TRAY ASSEMBLY - 5, 6, AND 9 MOTOR**

INDEX	PART NUMBER	DESCRIPTION	# OF MOTORS IN TRAY			
			5	6	8	9
-	4977431	SPIRAL MODULE ASSEMBLY - 5 MOTOR	X			
-	4977430	SPIRAL MODULE ASSEMBLY - 6 MOTOR		X		
-	4977433	SPIRAL MODULE ASSEMBLY - 8 MOTOR			X	
-	4977432	SPIRAL MODULE ASSEMBLY - 9 MOTOR				X
1	1477020	GEAR - TRAY	6	-	-	-
2	4977405	GASKET - FOAM TAPE - .38	1	1	1	1
3	4977401	BASE - SPIRAL TRAY	1	1	1	1
4	1477022	BEARING - COUPLER	3	-	-	-
5	4979002	HARNESS - TRAY EXPAN. MOD - 5 SELECT	1	-	-	-
	4979001	HARNESS - TRAY - EXPAN. MOD - 9 SELECT	-	1	1	1
6	4744555	MOTOR AND PCB ASSEMBLY	5	6	8	9
7	4977402	HOLDER - PRICE/SELECTION - SPIRAL	1	1	1	1
8	4977404	WALL - SPIRAL TRAY	3	2	3	8
9	1477113	COUPLING - SPIRAL	9	6	8	9

**TABLE 113. SPIRAL OPTIONS**

Spiral Count	Retainer Color	Retainer	PART NUMBERS			
			LEFT HAND		RIGHT HAND	
			Assembly	Spiral	Assembly	Spiral
5	TAN	4407817	4977410	4977411	4977412	4977413
6	DARK GREEN	4407822	4977414	4977415	4977416	4977417
7	MAUVE	4407827	4977418	4977419	4977420	4977421
9	AQUA	4407833	4977422	4977423	4977424	4977425
12	BLACK	1477073	4977426	4977427	4977428	4977429



497p0038

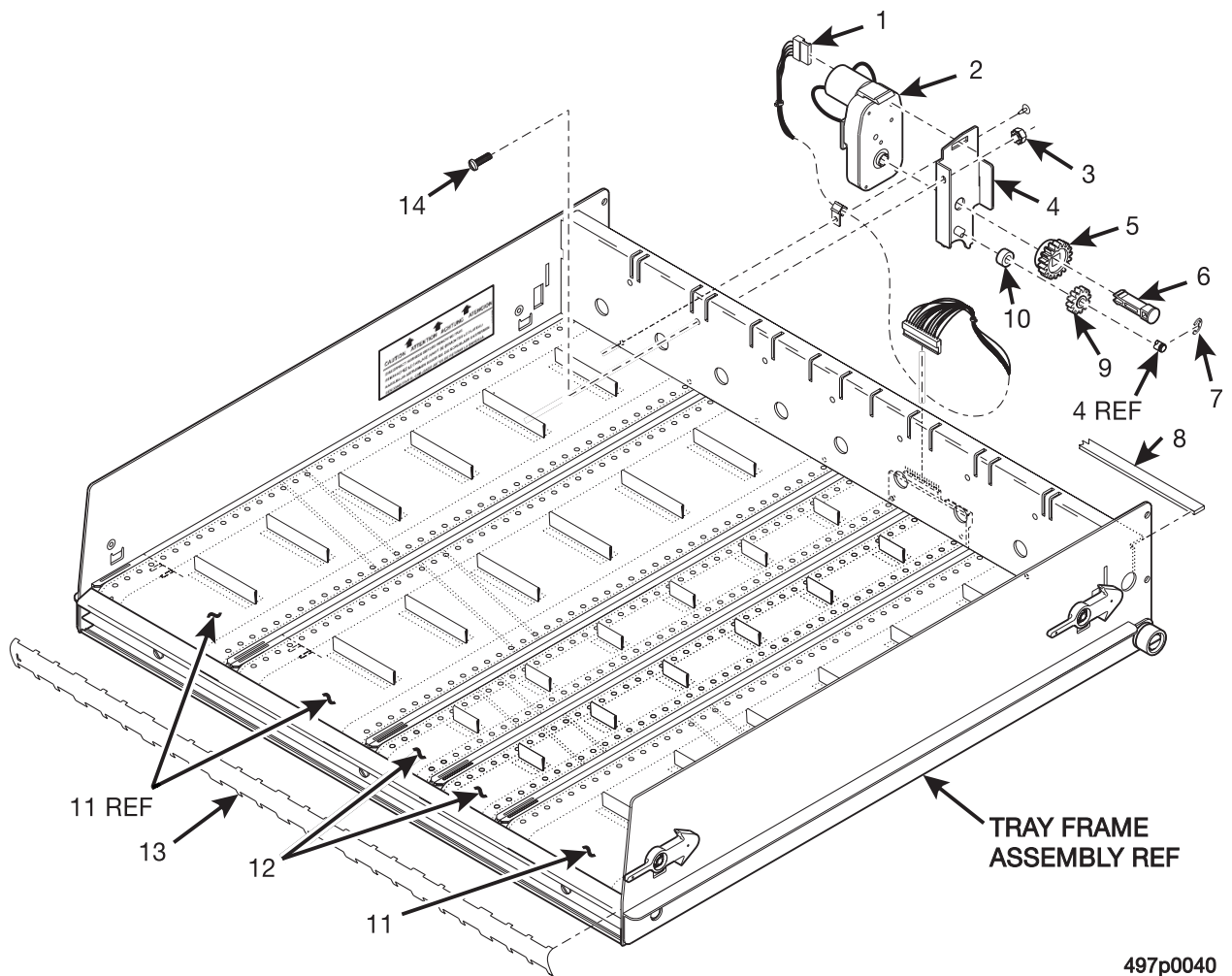
Figure 114. Belt Module Tray Assembly - 4 Motor



# Expanded Refreshment Center Parts Manual

TABLE 114. BELT MODULE TRAY ASSEMBLY - 4 MOTOR

INDEX	PART NUMBER	DESCRIPTION	QTY.
-	4977334	BELT MODULE AND TRAY ASSEMBLY - 4 MOTOR	-
1	4979003	HARNESS - TRAY - EXPAN. MOD - 4 SEL.	1
2	4977312	MOTOR AND PCB ASSEMBLY	4
3	4402043	NUT - #8-32 W/L.W. - S.S.	4
4	4977347	BRACKET/MOTOR AND STUD MOUNTING ASSEMBLY	4
5	4977316	GEAR - DRIVE - MOTOR	4
6	4407712	COUPLING - MOTOR	4
7	4977325	SPACER	4
8	4407616	GEAR - IDLER - BELT MODULE	4
9	3103029	WALDES TRUARC RING	4
10	4977315	RETAINER - DIVIDER - WALL	1
11	4977310	HOLDER - PRICE AND SELECTION	1
12	4977322	BELT AND SUPPORT ASSEMBLY - SINGLE (SEE FIGURE 117 FOR DETAILS)	4
13	3108221	SCREW - #8-32 X 3/8 PHS ST. STL.	4



497p0040

Figure 115. Belt Module Tray Assembly - 5 Motor



# Expanded Refreshment Center Parts Manual

TABLE 115. BELT MODULE TRAY ASSEMBLY - 5 MOTOR

INDEX	PART NUMBER	DESCRIPTION	QTY.
-	4977335	BELT MODULE AND TRAY ASSEMBLY - 5 MOTOR	-
1	4979006	HARNESS - TRAY - EXPAN. MOD - 8 SEL.	1
2	4977312	MOTOR AND PCB ASSEMBLY	5
3	4402043	NUT - #8-32 W/L.W. - S.S.	5
4	4977347	BRACKET/MOTOR AND STUD MOUNTING ASSEMBLY	5
5	4977316	GEAR - DRIVE - MOTOR	5
6	4407712	COUPLING - MOTOR	5
7	3103029	WALDES TRUARC RING	5
8	4977315	RETAINER - DIVIDER - WALL	1
9	4407616	GEAR - IDLER - BELT MODULE	5
10	4977325	SPACER	5
11	4977322	BELT AND SUPPORT ASSEMBLY - SINGLE (SEE FIGURE 117 FOR DETAILS)	3
12	4977323	BELT AND SUPPORT ASSEMBLY - DUAL (SEE FIGURE 118 FOR DETAILS)	2
13	4977310	HOLDER - PRICE AND SELECTION	1
14	3108221	SCREW - #8-32 X 3/8 PHS ST. STL.	5

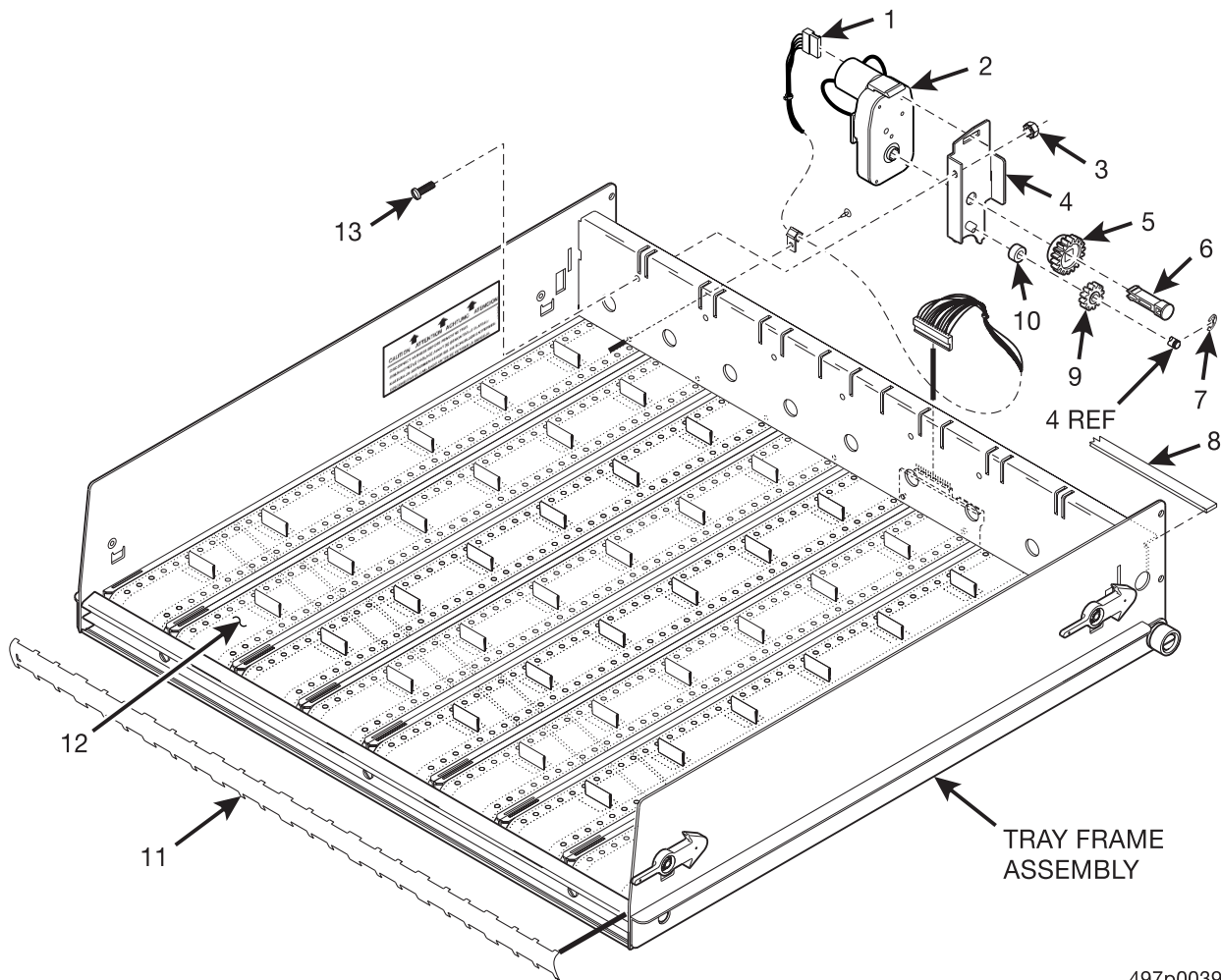


Figure 116. Belt Module Tray Assembly - 8 Motor

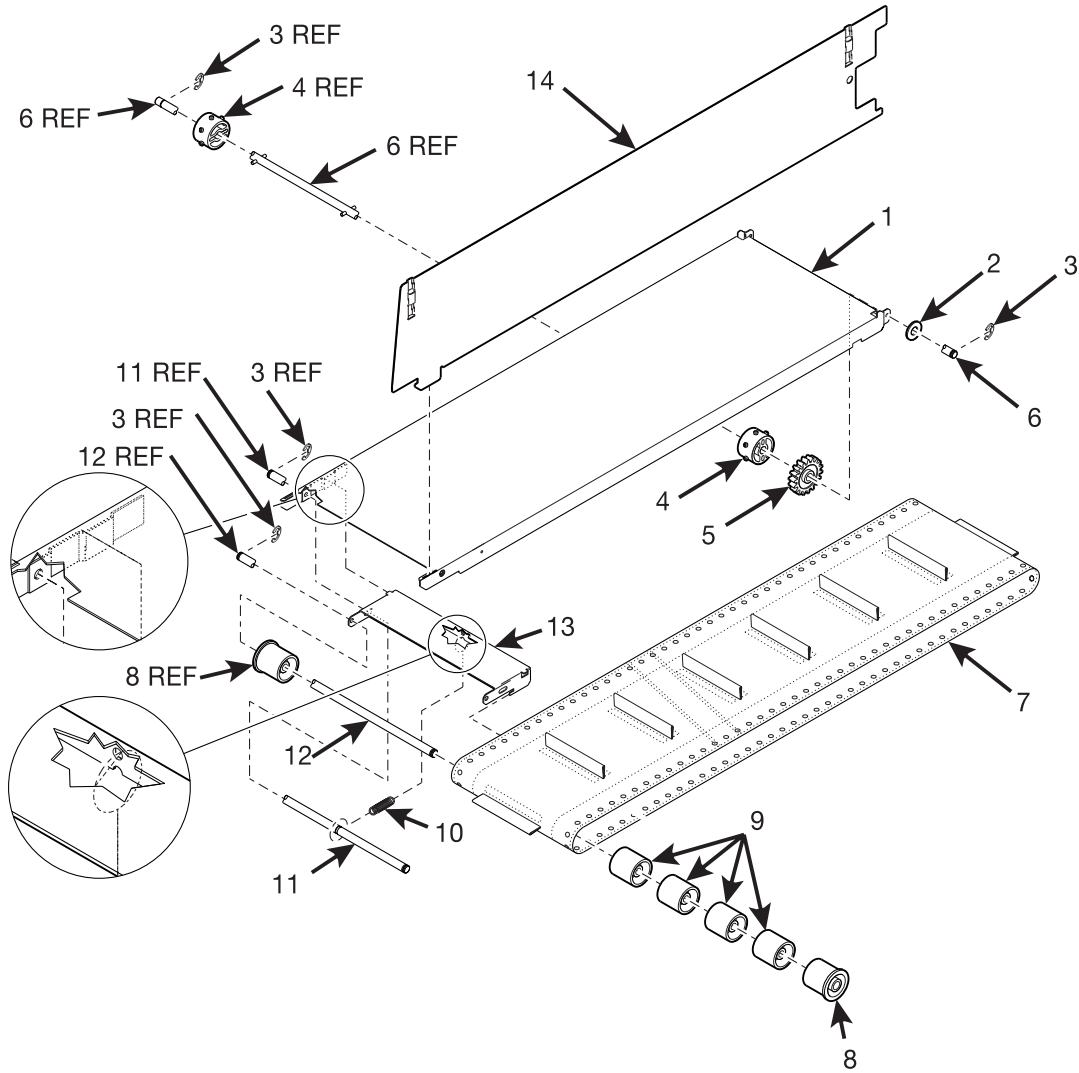




# Expanded Refreshment Center Parts Manual

TABLE 116. BELT MODULE TRAY ASSEMBLY - 8 MOTOR

INDEX	PART NUMBER	DESCRIPTION	QTY.
-	4977349	BELT MODULE AND TRAY ASSEMBLY - 8 MOTOR	-
1	4979006	HARNESS - TRAY - EXPAN. MOD - 8 SEL.	1
2	4977312	MOTOR AND PCB ASSEMBLY	8
3	4402043	NUT - #8-32 W/L.W. - S.S.	8
4	4977347	BRACKET/MOTOR AND STUD MOUNTING ASSEMBLY	8
5	4977316	GEAR - DRIVE - MOTOR	8
6	4407712	COUPLING - MOTOR	8
7	3103029	WALDES TRUARC RING	8
8	4977315	RETAINER - DIVIDER - WALL	1
9	4407616	GEAR - IDLER - BELT MODULE	8
10	4977325	SPACER	8
11	4977310	HOLDER - PRICE AND SELECTION	1
12	4977323	BELT AND SUPPORT ASSEMBLY - DUAL (SEE FIGURE 118 FOR DETAILS)	8
13	3108221	SCREW - #8-32 X 3/8 PHS ST. STL.	8



497p0087

Figure 117. Belt and Support Assembly - Single



# Expanded Refreshment Center Parts Manual

TABLE 117. BELT AND SUPPORT ASSEMBLY - SINGLE

INDEX	PART NUMBER	DESCRIPTION	QTY.
-	4977322	BELT AND SUPPORT ASSEMBLY - SINGLE	-
1	4977318	BELT AND SUPPORT ASSEMBLY WELD - SINGLE	1
2	9900041	WASHER - BRASS - 9/16 X .260 X .040	1
3	3103029	WALDES TRUARC RING	4
4	4407619	SPROCKET - DRIVE	2
5	4407618	GEAR - BELT DRIVE	1
6	4977341	DRIVE SHAFT ASSEMBLY	1
7	4977337	BELT - CONVEYOR - SINGLE	1
8	4407611	ROLLER - BELT - OUTSIDE	2
9	4407612	ROLLER - BELT - INSIDE	4
10	3108221	SCREW - #8-32 X 3/8 PHS ST. STL	-
11	4977343	SHAFT - BELT TENSIONER - DUAL	1
12	4977340	SHAFT BELT - FRONT	1
13	4977339	SUPPORT - BELT END	1
14	4977404	WALL - SPIRAL TRAY (4-BELT TRAY)	3
		WALL - SPIRAL TRAY (5-BELT TRAY)	4
		WALL - SPIRAL TRAY (8-BELT TRAY)	7

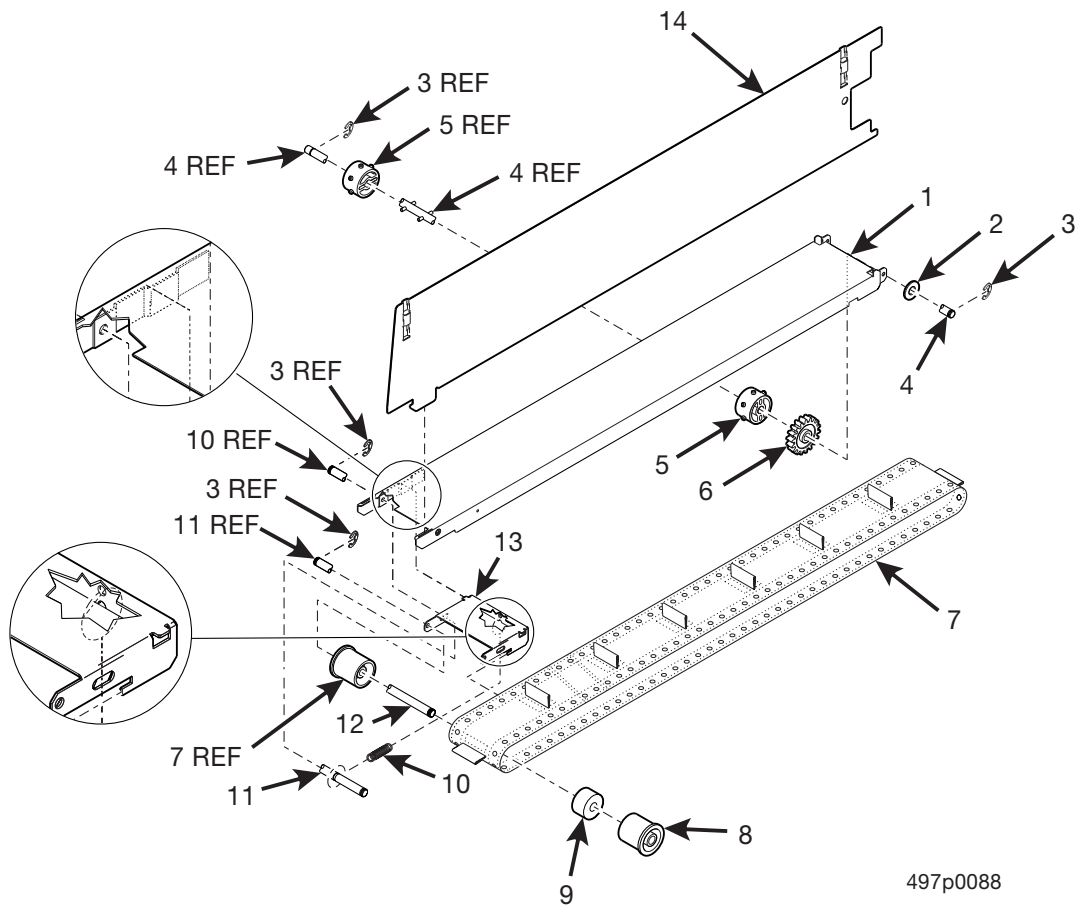


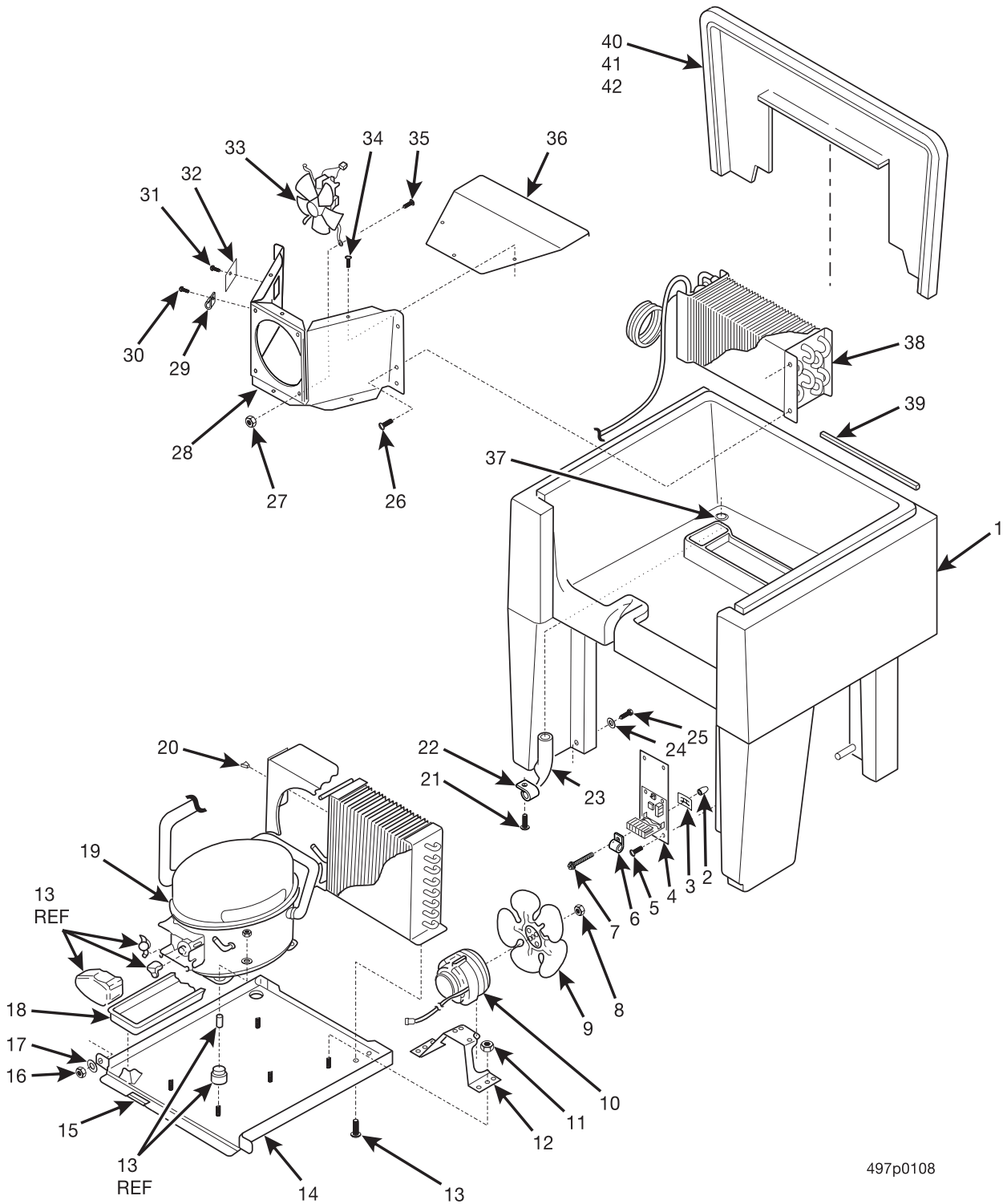
Figure 118. Belt and Support Assembly - Dual



# Expanded Refreshment Center Parts Manual

TABLE 118. BELT AND SUPPORT ASSEMBLY - DUAL

INDEX	PART NUMBER	DESCRIPTION	QTY.
-	4977323	BELT AND SUPPORT ASSEMBLY - DUAL	-
1	4977319	BELT AND SUPPORT ASSEMBLY WELD - DUAL	1
2	9900041	WASHER - BRASS - 9/16 X .260 X .040	1
3	3103029	WALDES TRUARC RING	4
4	4977328	DRIVE SHAFT ASSEMBLY - DUAL	1
5	4407619	SPROCKET - DRIVE	2
6	4407618	GEAR - BELT DRIVE	1
7	4977326	BELT - CONVEYOR - DUAL	1
8	4407611	ROLLER - BELT - OUTSIDE	2
9	4977329	SPACER	2
10	4407607	SPRING - BELT TENSION	1
11	4977343	SHAFT - BELT TENSIONER - DUAL	1
12	4977330	SHAFT BELT - FRONT - DUAL	1
13	4977326	SUPPORT - BELT END - DUAL	1
14	4977404	WALL - SPIRAL TRAY (4-BELT TRAY)	3
		WALL - SPIRAL TRAY (5-BELT TRAY)	4
		WALL - SPIRAL TRAY (8-BELT TRAY)	7



497p0108

Figure 119. Refrigeration Module - Cold Food - 115 V



# Expanded Refreshment Center Parts Manual

**TABLE 119. REFRIGERATION MODULE - COLD FOOD - 115 V**

INDEX	PART NUMBER	DESCRIPTION	QTY.
1	4974001	HOUSING - REFRIGERATION MODULE	1
2	3152081	COVER - SCREW TIP	1
3	2221032	SPEED NUT BALLAST	1
4	4844019	TRIAC & SUPPORT ASSEMBLY-REFRIG.	1
5	4721035	SCREW - #8-18 X .38-LGM	3
6	2342315	CLIP - WIRE HARNESS	1
7	4404004	SCREW - #8-18X2.5 T/HHS	1
8	4043122	SPEED NUT - 1/4-20 MORRIL S-6522-2	1
9	3608149	BLADE CONDENSER FAN FV-700CW20P	1
10	4744112	MOTOR - CONDENSER FAN - 115 V	1
	3618157	MOTOR - CONDENSOR FAN - 230 V	
11	1211105	1/4-20 KEPS NUT EXT LW ZP	4
12	4744009	BRACKET - CONDENSER MOTOR	1
13	4744106	BAG - COMPRESSOR COMPONENTS - 115V	1
	4844015	BAG - COMPRESSOR COMPONENTS - 230 V	
14	4974018	BASE & STUD ASSEMBLY - CONDENSER	1
15	4304192	LABEL - R134A - SMALL	1
16	4041241	NUT 1/4-20 SELF LOCKING	4
17	6131066	WASHER 5/8X.265X.048 ZINC/YEL	4
18	4744022	PAN - CONDENSATE	1
19	4744108	COMPRESSOR- A Z0370Y-R134A	1
	4844014	COMPRESSOR - AZ0370Y-220V	
20	4043082	CLIP SPEED DART STYLE	4
21	4751035	CHUTE - COFFEE	1
22	4732024	RETAINER - HARNESS	1
23	4301152	DRAIN - CONDENSATE	1
24	1140351	WASHER - STEEL - 3/4 X .264 X .090	4
25	4614107	BOLT - .250-20 X 1.75-HEX HD.	4
26	4721035	SCREW - #8-18 X .38-LGM	4
27	9900081	NUT #8-32 KEPS ZINC PLATE	4
28	4744045	SHROUD - EVAPORATOR FAN	1
29	1452139	RETAINER - HARNESS	1
30	4721035	SCREW - #8-18 X .38-LGM	1
31	4721035	SCREW - #8-18 X .38-LGM	1
32	4404006	PLATE - EVAPORATOR FAN SHROUD	1
33	4724124	FAN - EVAPORATOR - 115 V	1

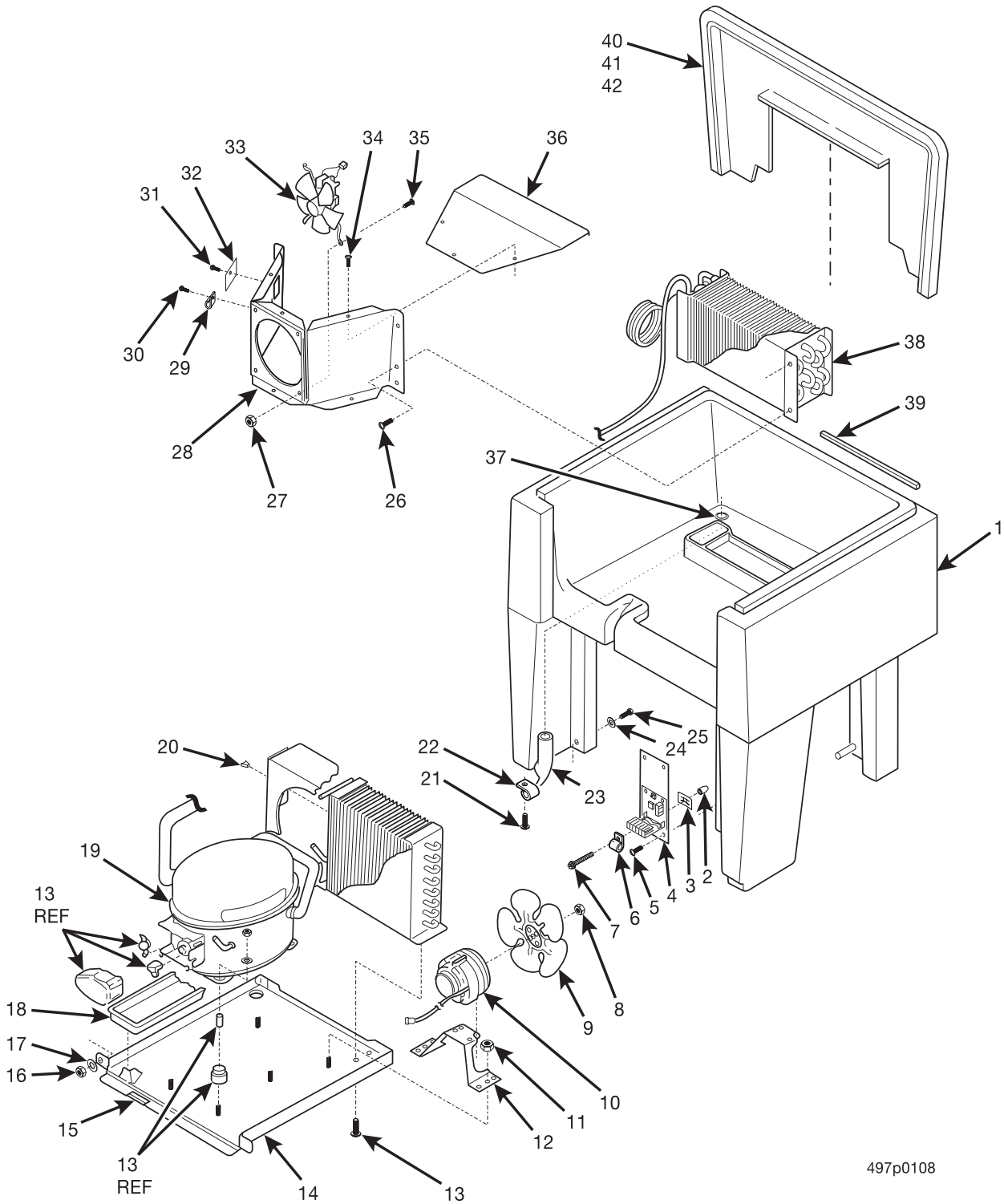


Figure 119. Refrigeration Module - Cold Food - 115 V

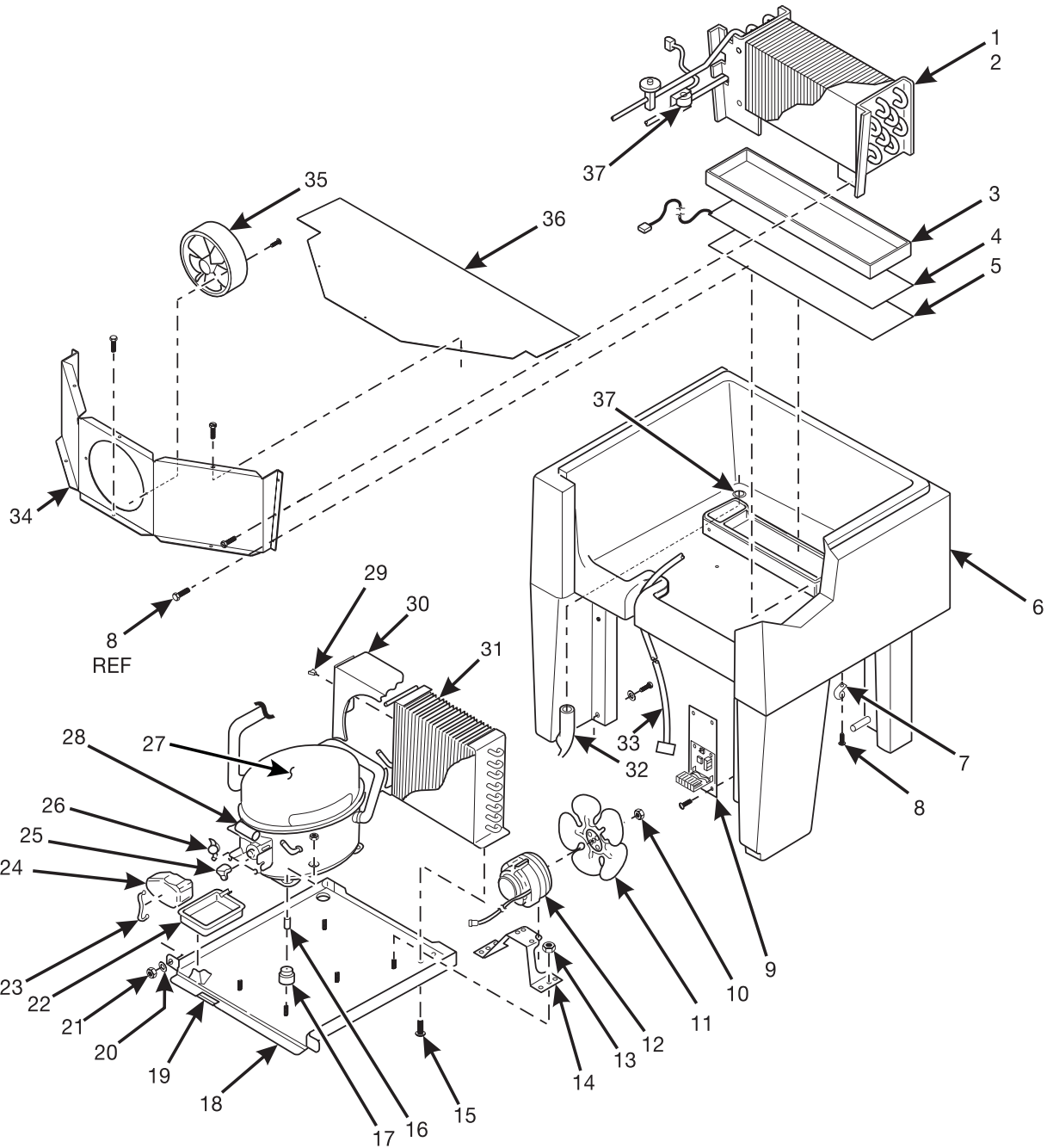




# Expanded Refreshment Center Parts Manual

TABLE 119. REFRIGERATION MODULE - COLD FOOD - 115 V

INDEX	PART NUMBER	DESCRIPTION	QTY.
34	1451056	8-32X.31 HWS TY23 ZB WAX	3
35	9900019	SCREW - #8-32 X 3/8 RHS	4
36	4744020	SHROUD - TOP	1
37	3128063	DRAIN - WATER BATH	1
38	4844026	EVAP & TUBE ASSEMBLY - TECUMSEH	1
39	4974015	GASKET - REFRIG. MOD. - OUTSIDE	1
40	4974032	BAFFLE - REFRIGERATION	1
41	4974033	GASKET - BAFFLE - TOP	1
42	4404016	GASKET - BAFFLE - BOTTOM	1
-	4979008	HARNESS - COLD FOOD/FROZEN FOOD MODULE (SEE HAR- NESS SECTION FOR CONFIGURATION)	1
-	4849022	HARNESS - FOOD MODULE COMPRESSOR (SEE HARNESS SEC- TION FOR CONFIGURATION)	1
-	4644043	TINNERMAN PUSH-ON C501-017	1



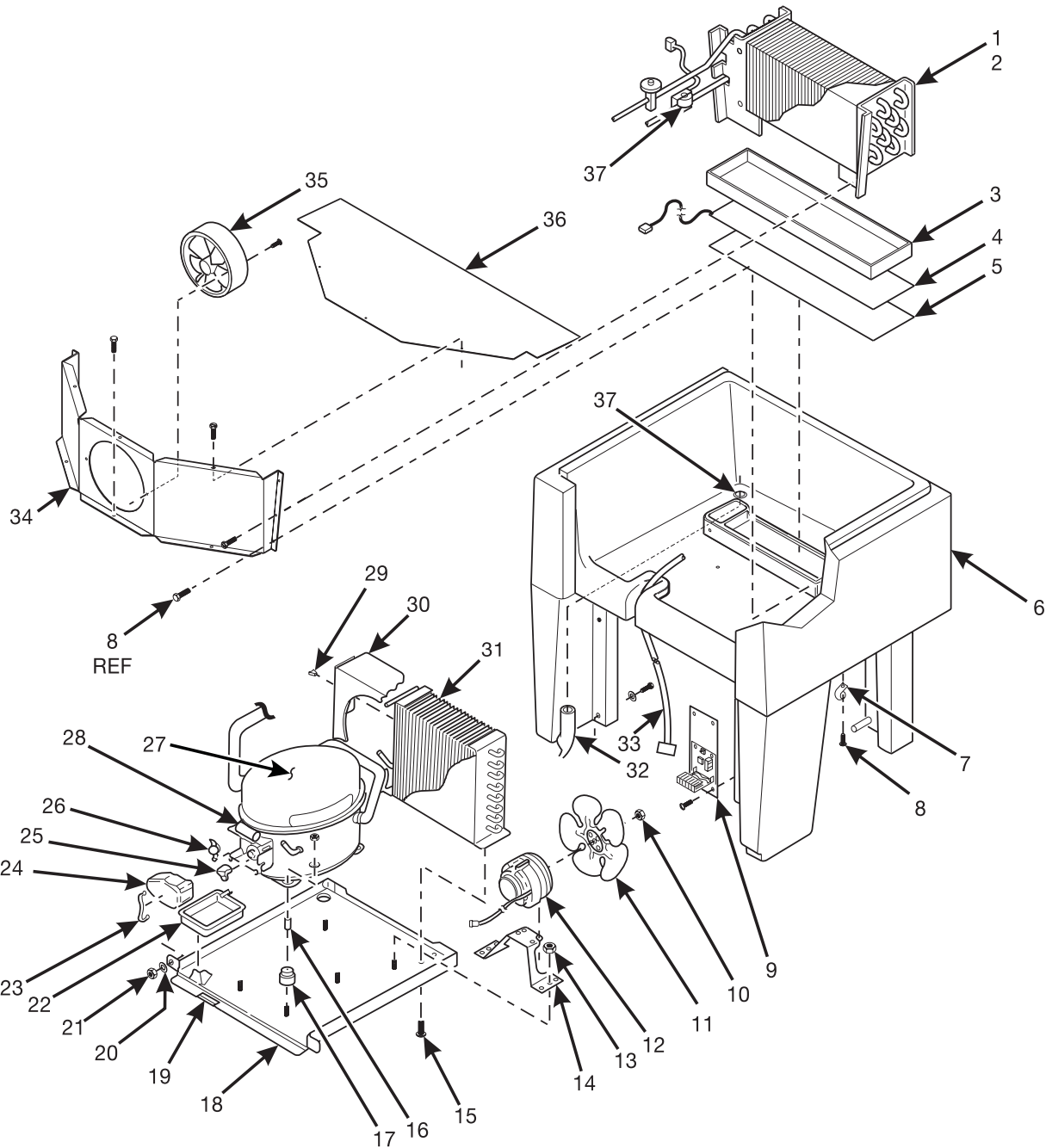
497p0058

Figure 120. Frozen Food Module - Refrigeration Assembly - 115 Volt



# Expanded Refreshment Center Parts Manual

TABLE 120. FROZEN FOOD MODULE - REFRIGERATION ASSEMBLY - 115 VOLT			
INDEX	PART NUMBER	DESCRIPTION	QTY.
-	4974025	REFRIGERATION MODULE ASSEMBLY - FROZEN - 115 V	-
1	4974039	EVAPORATOR AND TUBE ASSEMBLY - FROZEN FOOD MODULE	1
2	4114079	HEATER - DEFROST (INSERTED IN THE EVAPORATOR)	2
3	4974026	PAN ASSEMBLY - EVAPORATOR DRAIN	1
4	4114066	HEATER - EVAPORATOR DRAIN - FROZEN MODULE	1
5	4974029	PLATE - EVAPORATOR	1
6	4974001	HOUSING ASSEMBLY - REFRIGERATION MODULE	1
7	4732024	RETAINER - HARNESS	1
8	4721035	SCREW - #8-18 X .38 LGM	13
9	4844018	TRIAC AND RELAY SUPPORT ASSEMBLY - FROZEN	1
10	4043122	SPEED NUT - 1/4-20 MORRIL S-6522-2	4
11	4774027	BLADE - CONDENSER FAN	2
12	4604092	MOTOR - CONDENSER FAN	1
-	3157060	SCREW - #8-32 X .31 HEX W/HD - SLOTTED - T/F - Z/P	4
13	1211105	1/4-20 KEPS NUT - EXT LW - Z/P	2
14	4744009	BRACKET - CONDENSER MOTOR	1
15	4721035	SCREW - #8-18 X .38 LGM	4
-	4974050	BAG - COMPRESSOR HARDWARE - 115 V (INCLUDES INDEX NUMBERS 16, 17, 23, 24, 25, 26, 28)	1
16	4724070	SLEEVE - 23/32 INCH LENGTH	4
17	4724066	GROMMET - 11/16 INCH HIGH	4
18	4974038	BASE AND STUD ASSEMBLY	1
-	4614107	BOLT - .250-20 X 1.75 - HEX HD.	4
-	1140351	WASHER - STEEL - 3/4 X .264 X .090	4
-	6131066	WASHER - 5/8 X .265 - X .048 ZINC/YEL	4
19	4114036	LABEL - R134A - SMALL	1
20	6131066	WASHER - 5/8 X .265 X .048 ZINC/YEL	2
21	4041241	NUT - 1/4-20 SELF-LOCKING	2
22	4644029	PAN - CONDENSATE	1
23	3144055	STRAP - BALE	1
24	6144057	COVER - TERMINAL	1
25	4724065	RELAY	1
26	4724067	OVERLOAD - 143 FG	1
27	4974037	COMPRESSOR - 115 V - E2134GK	1
-	1140351	WASHER - STEEL - 3/4 X .264 X .090	4
-	1211105	1/4-20 KEPS NUT - EXT LW - Z/P	4
28	-	START CAPACITOR - 189.227 $\mu$ FD - 165 V	1
29	4043082	CUP - SPEED DART STYLE	4
30	4984013	SHROUD - CONDENSER FAN	1



497p0058

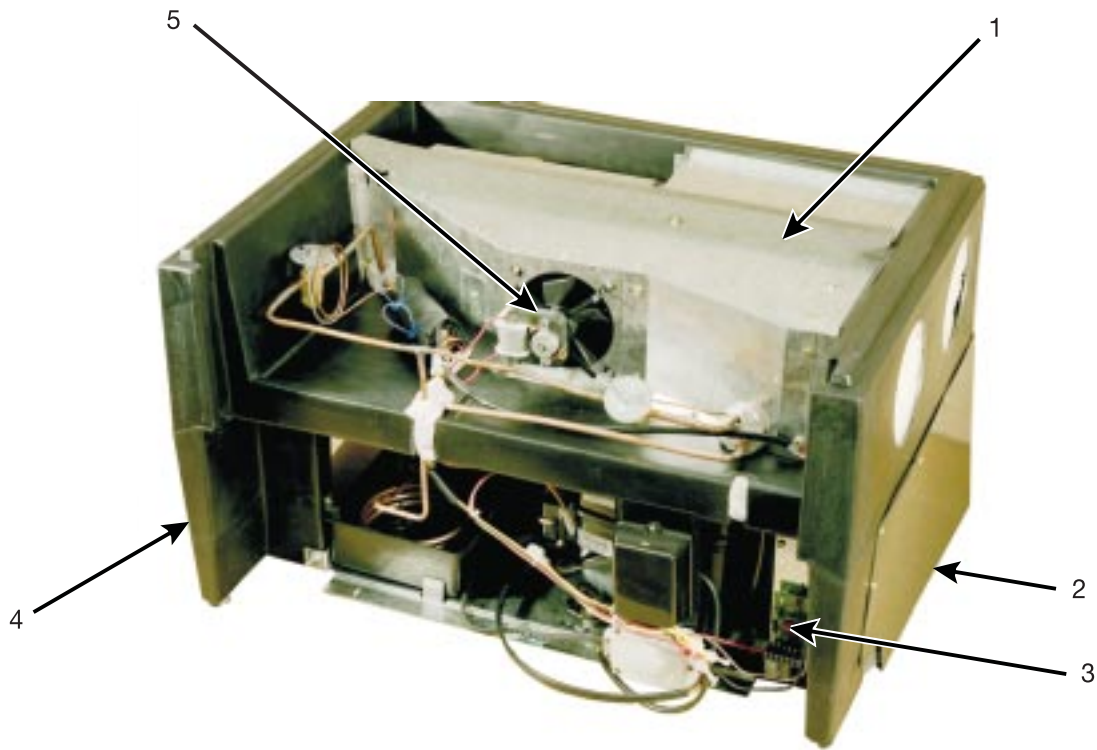
Figure 120. Frozen Food Module - Refrigeration Assembly - 115 Volt



# Expanded Refreshment Center Parts Manual

TABLE 120. FROZEN FOOD MODULE - REFRIGERATION ASSEMBLY - 115 VOLT (CONTINUED)

INDEX	PART NUMBER	DESCRIPTION	QTY.
31	4984022	COIL - CONDENSER	1
32	4301152	DRAIN - CONDENSATE	1
33	4849023	HARNESS - FROZEN MODULE COMPRESSOR	1
34	4974035	SHROUD - EVAPORATOR FAN - FREEZER	1
35	4844000	FAN - EVAPORATOR - AXIAL	1
36	4974030	SHROUD - TOP - FREEZER	1
37	4974053	THERMOSTAT - KLIXON - FROZEN MODULE	1
38	3128063	DRAIN - WATER BATH	1



497p0105

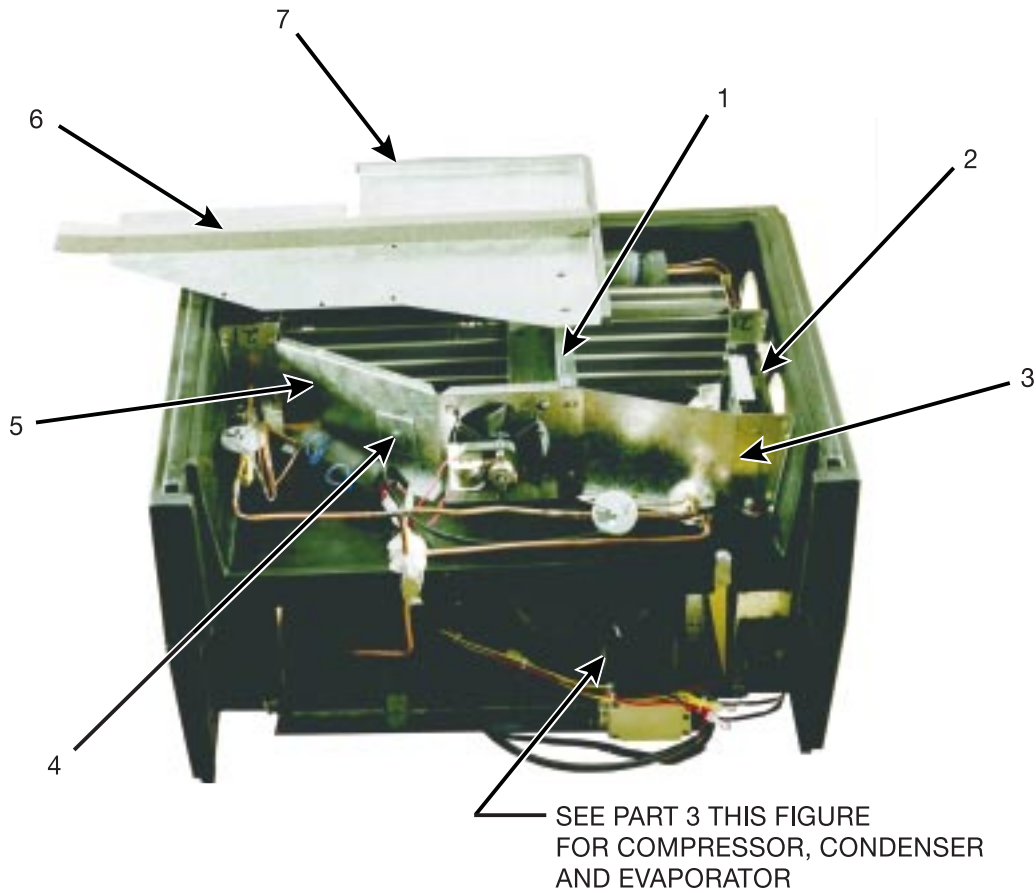
Figure 121. Refrigeration Module - Cold Food - Chilled - 230 V - Danfoss (Part 1 of 3)



# Expanded Refreshment Center Parts Manual

**TABLE 121. REFRIGERATION MODULE - COLD FOOD - CHILLED - 230 V - DANFOSS (PART 1 OF 3)**

<b>INDEX</b>	<b>PART NUMBER</b>	<b>DESCRIPTION</b>	<b>QTY.</b>
1	4984028	COVER - AIR DUCT	1
2	4641074	COVER AND SEAL ASSEMBLY	2
3	4844019	TRIM AND SUPPORT ASSEMBLY - REFRIGERATION	1
4	4984025	HOUSING - REFRIGERATION MODULE	1
5	4844001	FAN - EVAPORATOR	1



497p0106

Figure 122. Refrigeration Module - Cold Food - Chilled - 230 V - Danfoss (Part 2 of 3)





## Expanded Refreshment Center Parts Manual

TABLE 122. REFRIGERATION MODULE - COLD FOOD - CHILLED - 230 V - DANFOSS (PART 2 OF 3)

INDEX	PART NUMBER	DESCRIPTION	QTY.
1	4774003	DIVIDER WALL - AIR DUCT	1
2	4874002	FAN - EVAPORATOR - 230 V	1
3	4984032	WALL - AIR DUCT	1
4	4774203	PLATE - EVAPORATOR - FAN SHROUD	1
5	4984027	SHROUD - EVAPORATOR FAN	1
6	4974011	SEAL - 2.00 X .87 X 25.32 LONG	1
7	4984029	GASKET - AIR DUCT COVER (.50 X .50)	1

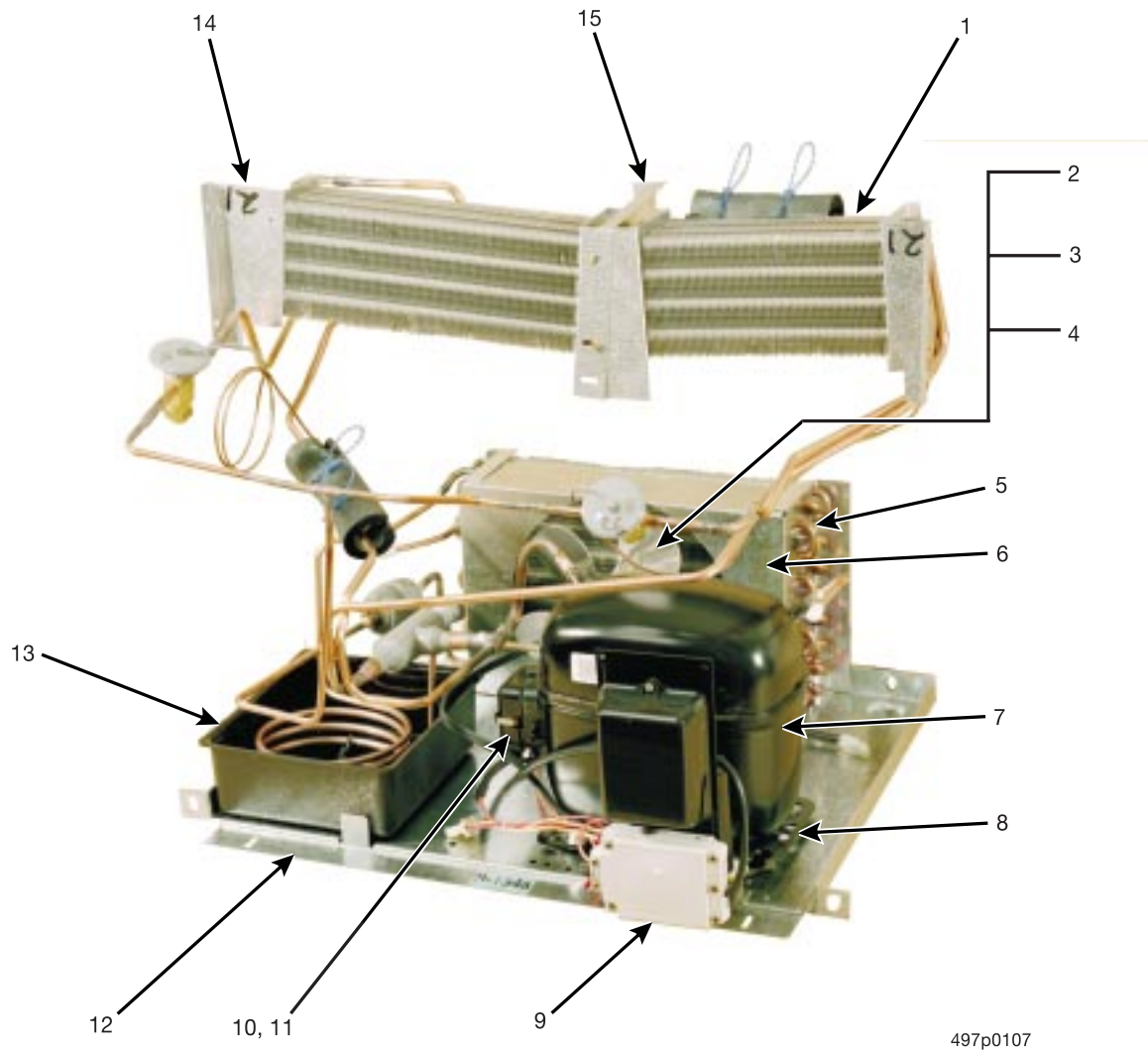


Figure 123. Refrigeration Module - Cold Food - Chilled - 230 V - Danfoss (Part 3 of 3)



## Expanded Refreshment Center Parts Manual

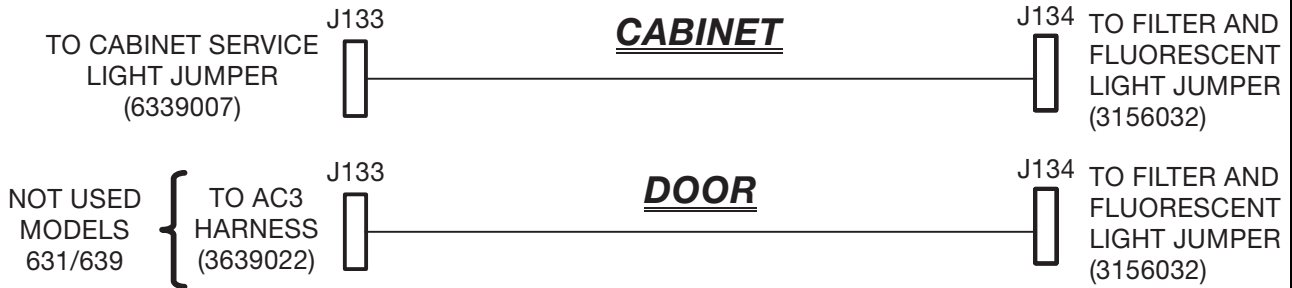
TABLE 123. REFRIGERATION MODULE - COLD FOOD - CHILLED - 230 V - DANFOSS (PART 3 OF 3)

INDEX	PART NUMBER	DESCRIPTION	QTY.
-	4984042	REFRIGERATION UNIT ASSEMBLY - INTERNATIONAL - DANFOSS (INCLUDES INDEX NUMBERS 1-15 PLUS RELATED HARNESS, MOUNTING HARDWARE, TUBING, AND OTHER CLOSED-SYSTEM COMPONENTS.)	-
1	4984023	EVAPORATOR - REFRIGERATED SNACK	1
2	4774122	CONDENSER FAN MOTOR - 230 VOLT	1
3	4774027	CONDENSER FAN BLADE	1
4	4744009	CONDENSER FAN MOTOR BRACKET	1
5	4984022	CONDENSER COIL	1
6	4984013	CONDENSER FAN SHROUD	1
7	4984016	COMPRESSOR	1
8	4304216	GROMMET AND SLEEVE PACKAGE	1
9	4984017	STARTING DEVICE (HST) WITH STARTING CAPACITOR	1
10	4304057	COVER	1
11	4304058	CORD RELIEF	1
12	4984021	BASE AND STUD ASSEMBLY - COMPRESSOR - INTERNATIONAL	1
13	4644029	CONDENSATE PAN	1
14	4984024	EVAPORATOR - CAN MODULE	1
15	4774002	EVAPORATOR DIVIDER	1
-	4849022	HARNESS - FOOD MODULE COMPRESSOR (SEE HARNESS SECTION FOR CONFIGURATION)	1



1451124

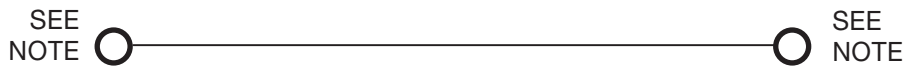
**SUPPRESSION NETWORK ASSEMBLY**



1451124

1475119

**JUMPER - GROUND WIRE**



NOTE:  
TWO APPLICATIONS

1. FROM BACK WALL OF CABINET TO WATER TANK
2. FROM BACK WALL OF CABINET TO POWER PANEL AND SUPPORT ASSEMBLY

1475119

1579003

**COIN MECH HARNESS**



1579003

Figure 124. Wiring Harnesses (Part 1 of 25)

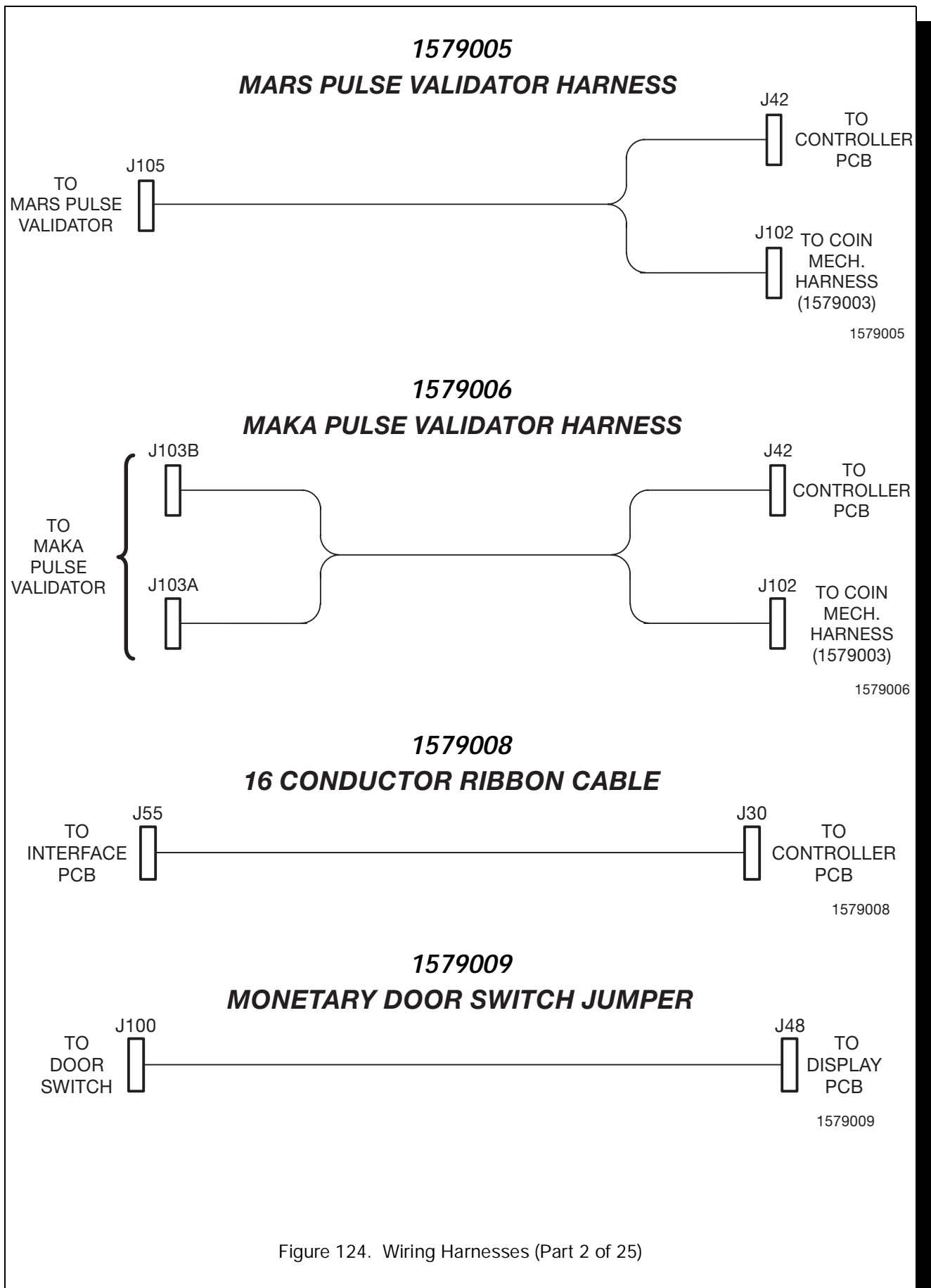
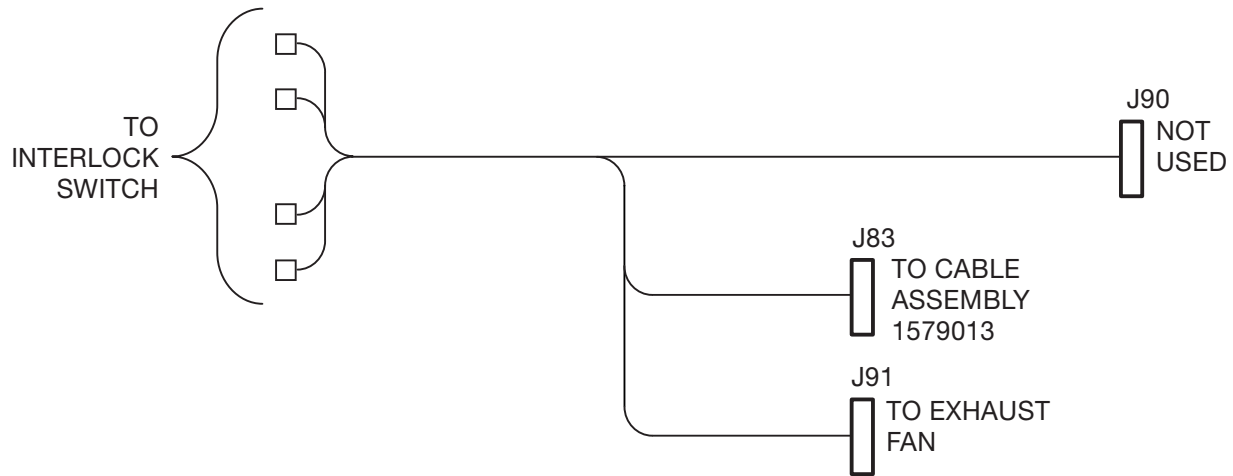


Figure 124. Wiring Harnesses (Part 2 of 25)

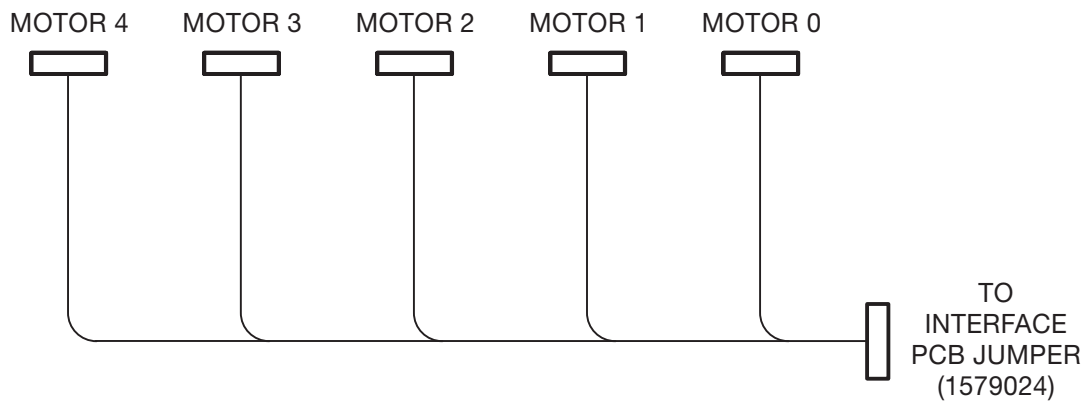


**1579010**  
**JUMPER - INTERLOCK - DOMESTIC**



1579010

**1579012**  
**GUM & MINT HARNESS**

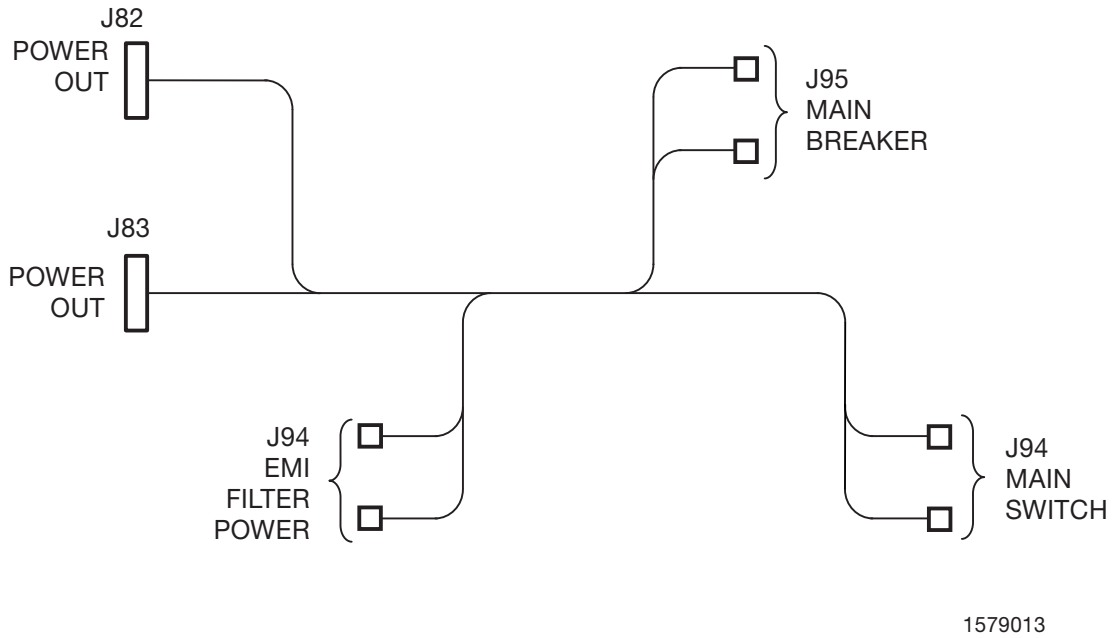


1579012

Figure 124. Wiring Harnesses (Part 3 of 25)



**1579013  
HARNESS - POWER PANEL**



**1579017  
HARNESS - COIN HANDLING POWER**

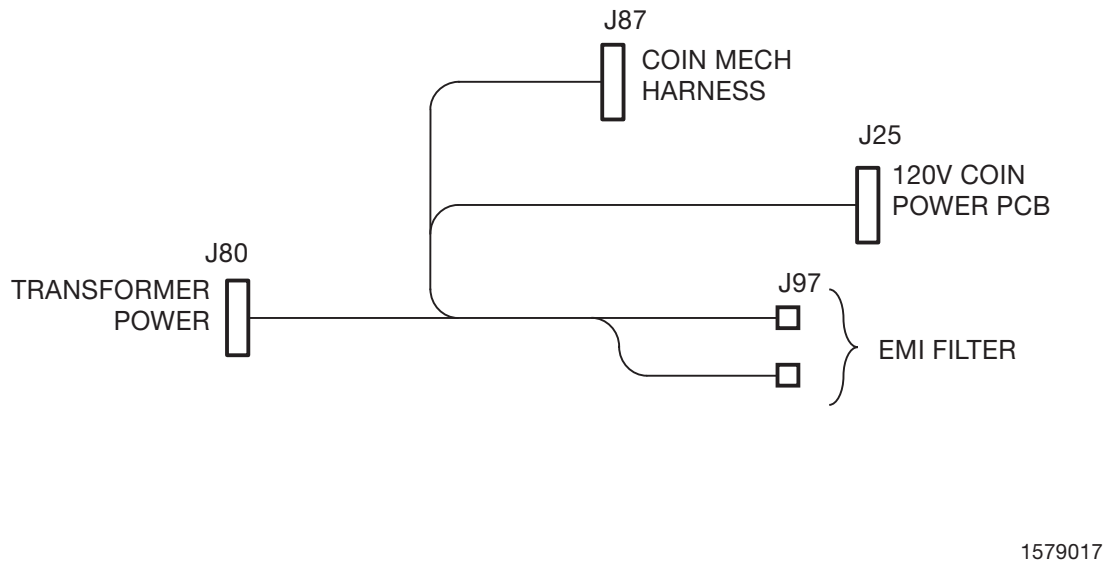
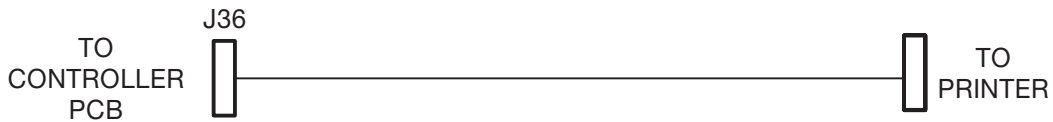


Figure 124. Wiring Harnesses (Part 4 of 25)



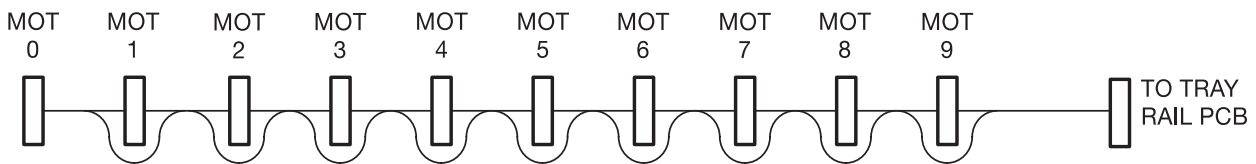
**1579019**  
**DEX PRINTER INTERFACE HARNESS**



**1579021**  
**POWER PANEL TO EXHAUST FAN JUMPER**

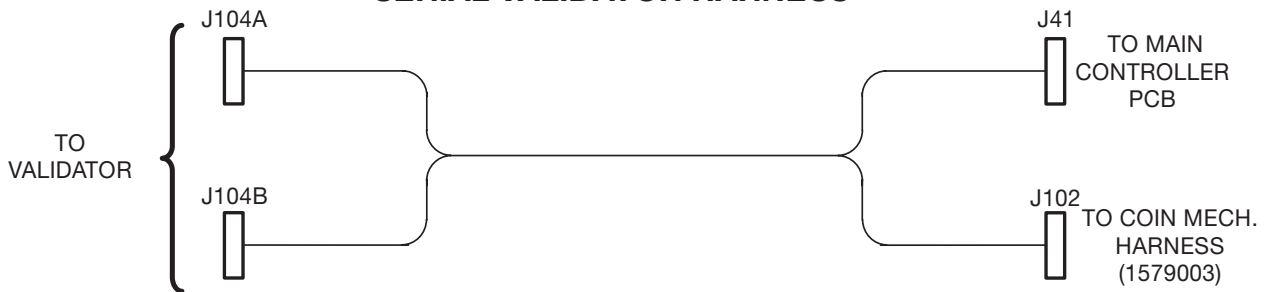


**1599019**  
**10 MOTOR TRAY HARNESS**



1599019

**1579028**  
**SERIAL VALIDATOR HARNESS**



1579028

Figure 124. Wiring Harnesses (Part 5 of 25)

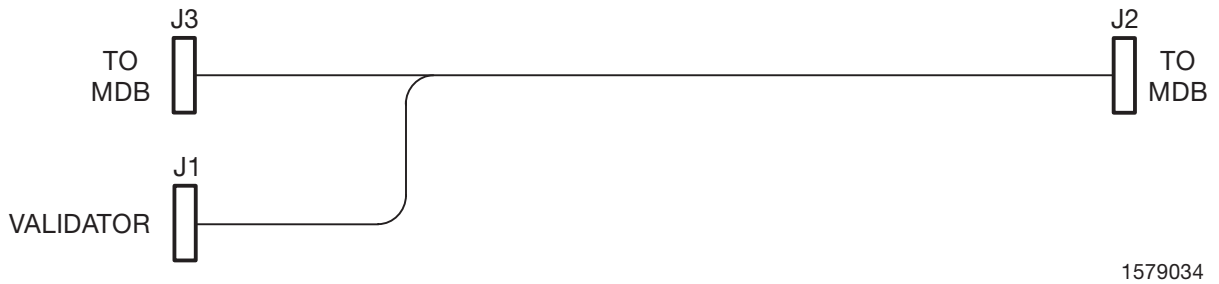




## 1579032 HARNESS - SERIAL VALIDATORS -24 VOLTS



## 1579034 MDB FOR COINCO BA30SA HARNESS



## 1579050 MDB FOR CONLUX MKA 2000 HARNESS

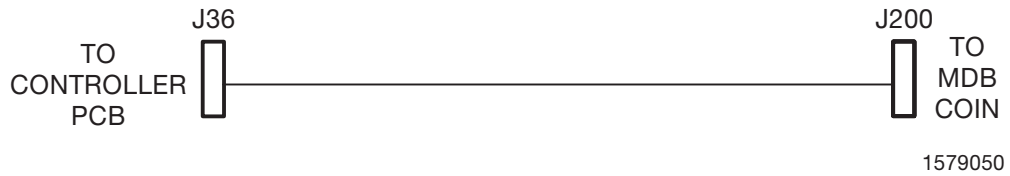
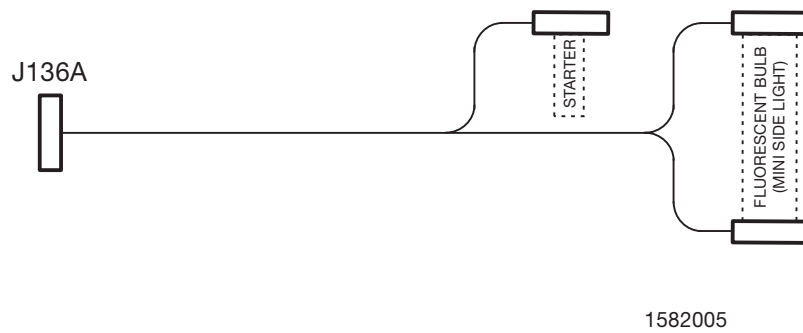


Figure 124. Wiring Harnesses (Part 6 of 25)



**1582005**  
**SMALL SNACK FLUORESCENT LIGHT HARNESS**



**1599010**  
**3 TRAY CHANNEL HARNESS**



**1599017**  
**5 MOTOR TRAY HARNESS**

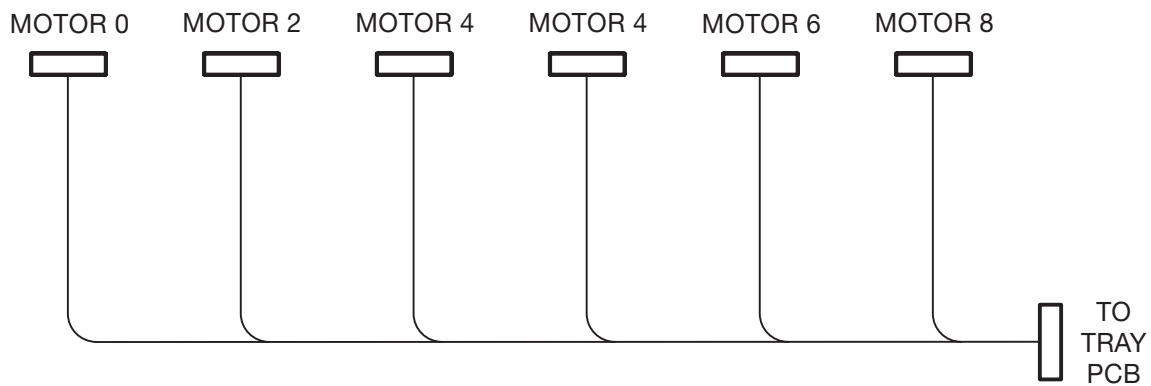
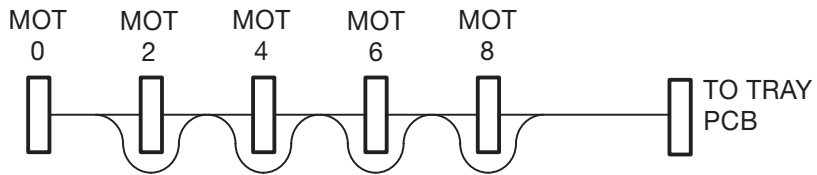


Figure 124. Wiring Harnesses (Part 7 of 25)

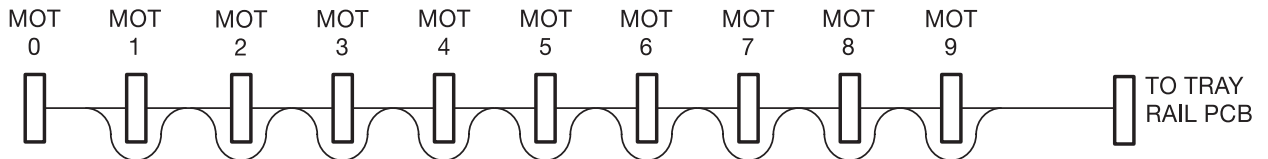


**4979002**  
**5 MOTOR TRAY HARNESS**



1599019

**1599019**  
**10 MOTOR TRAY HARNESS**

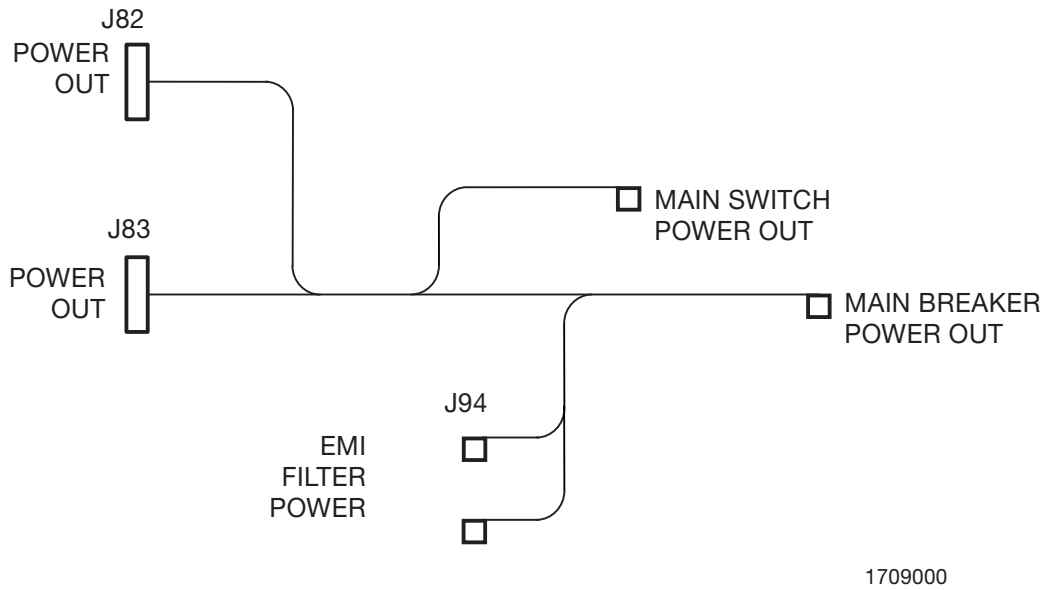


1599019

Figure 124. Wiring Harnesses (Part 8 of 25)



**1709000**  
**HARNESS - POWER PANEL**



1709000

Figure 124. Wiring Harnesses (Part 9 of 25)



**1709001**  
**120V XFMR PRIMARY JUMPER**

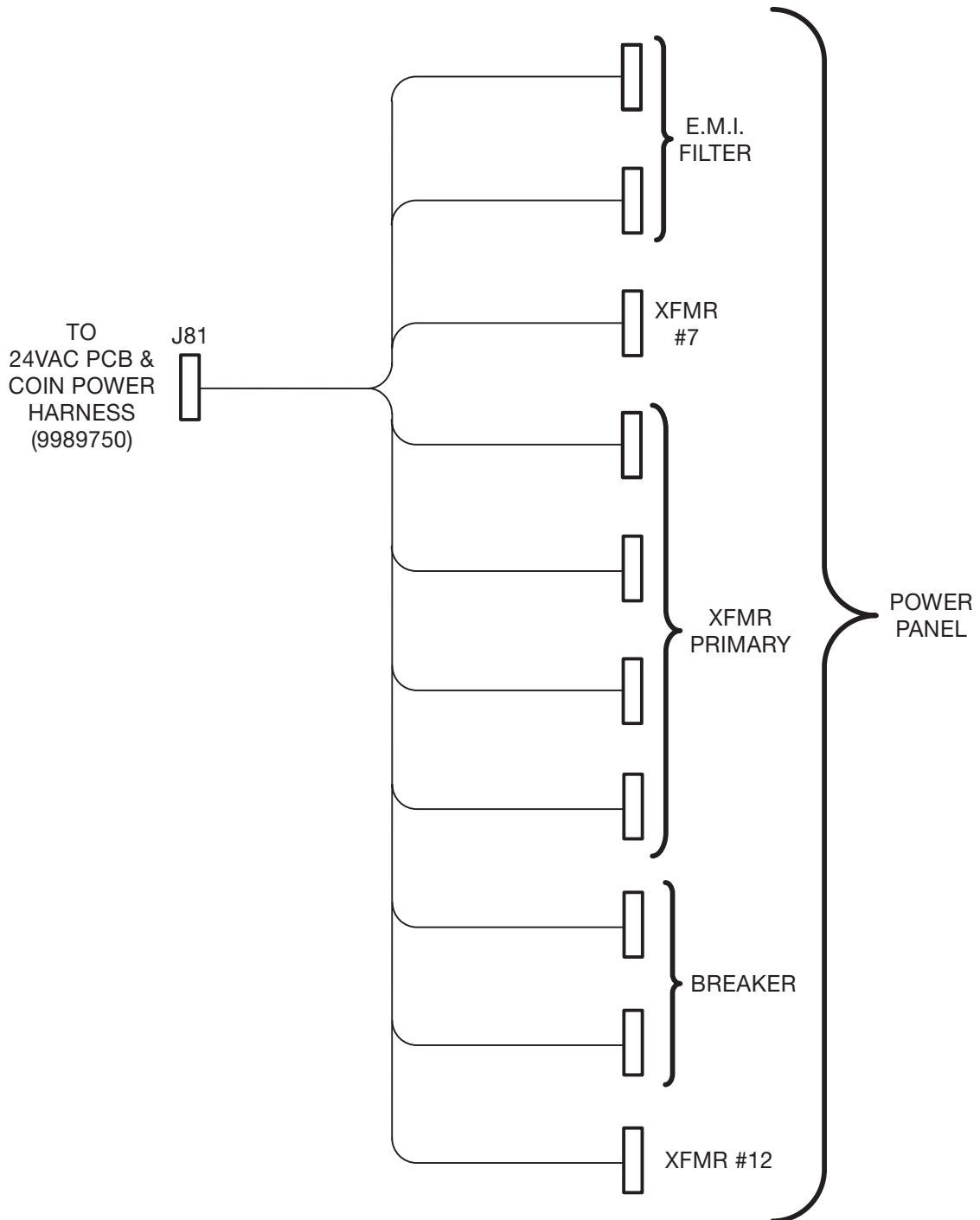
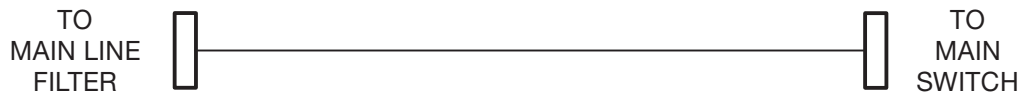


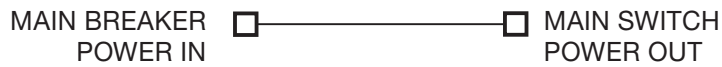
Figure 124. Wiring Harnesses (Part 10 of 25)



**1709002  
MAIN LINE FILTER JUMPER**

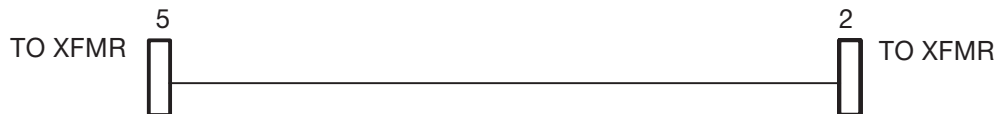


**1709006  
JUMPER - BREAKER POWER**



170900

**4279001  
JUMPER - 230V XFMR PRI**



4279001

**4849002  
POWER PANEL TO COMPRESSOR JUMPER**



**4849003  
COMPRESSOR TO FLUORESCENT LIGHT JUMPER**



Figure 124. Wiring Harnesses (Part 11 of 25)



**4849008**  
**FOOD MODULE FLUORESCENT LIGHT HARNESS**



4849008

**4849016**  
**HARNESS - DOOR GLASS HTR. INTERLOCK - FROZEN**



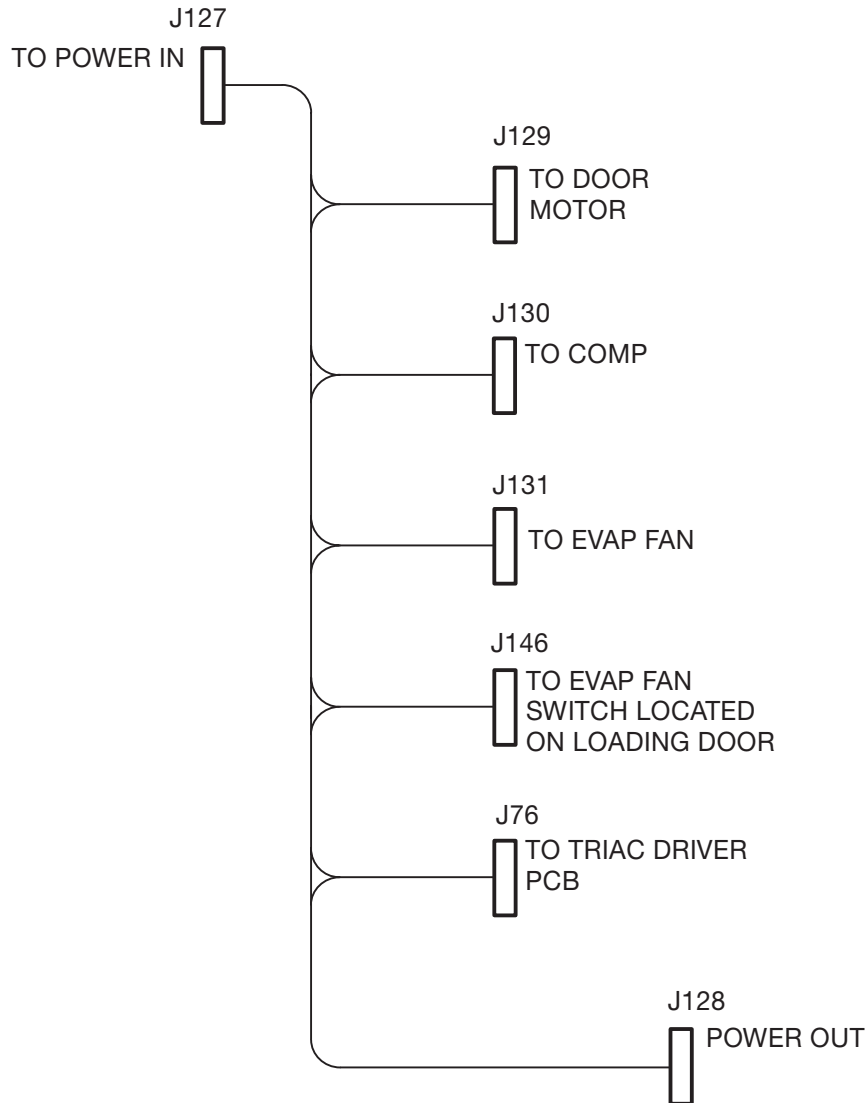
**4849020**  
**TEMPERATURE SENSOR & COMPRESSOR HARNESS**



Figure 124. Wiring Harnesses (Part 12 of 25)



**4849022**  
**HARNESS - FOOD MOD. COMP.**



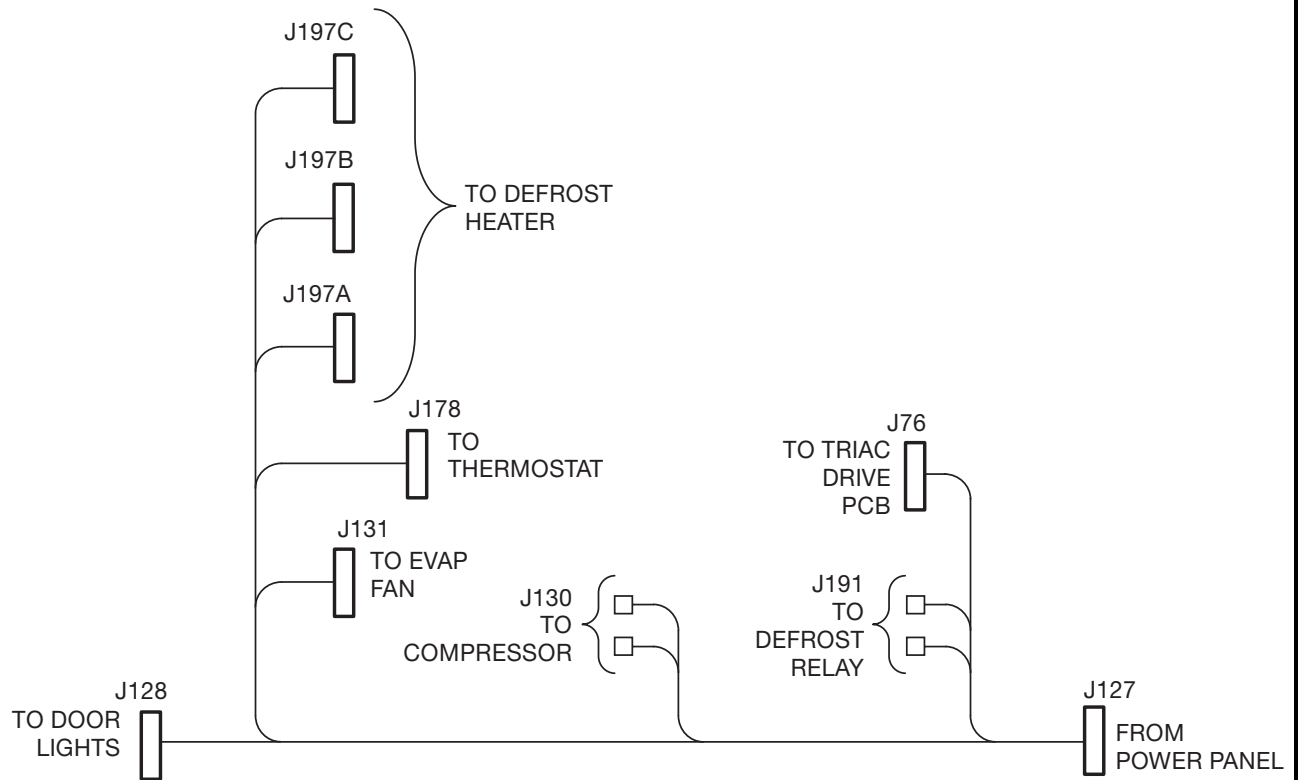
4849022

Figure 124. Wiring Harnesses (Part 13 of 25)





## 4849023 FROZEN FOOD MODULE COMPRESSOR HARNESS

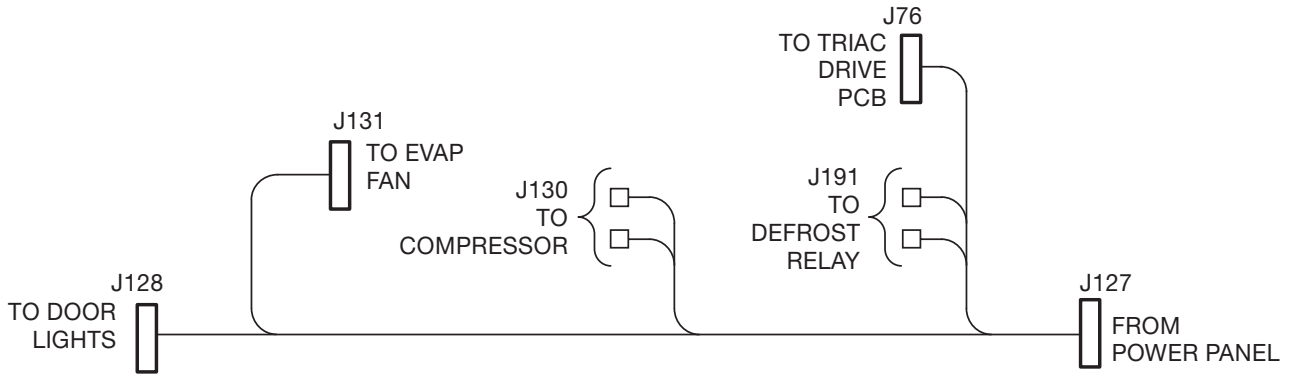


4849023

Figure 124. Wiring Harnesses (Part 14 of 25)

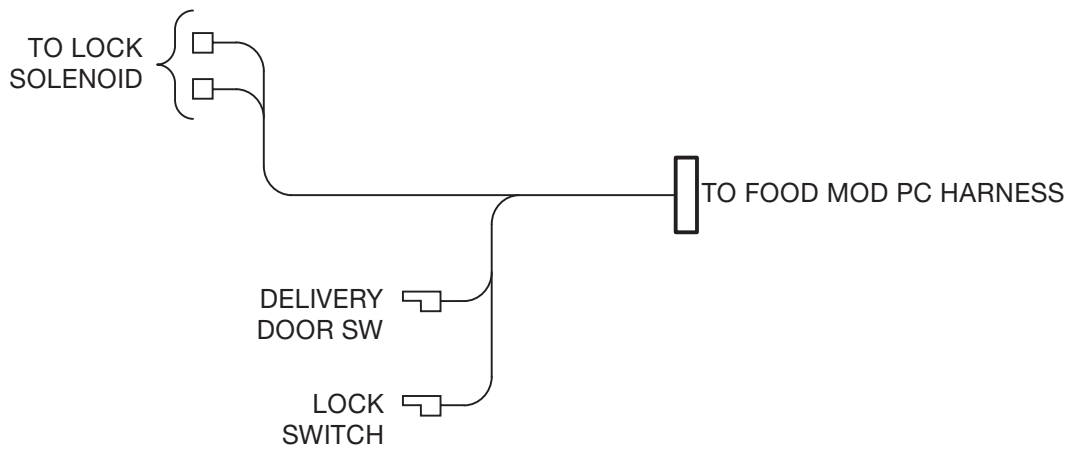


**4849025  
CAN/CHILLER COMPRESSOR HARNESS**



4849025

**4849027  
DELIVERY PAN LOCK SOLENOID HARNESS**

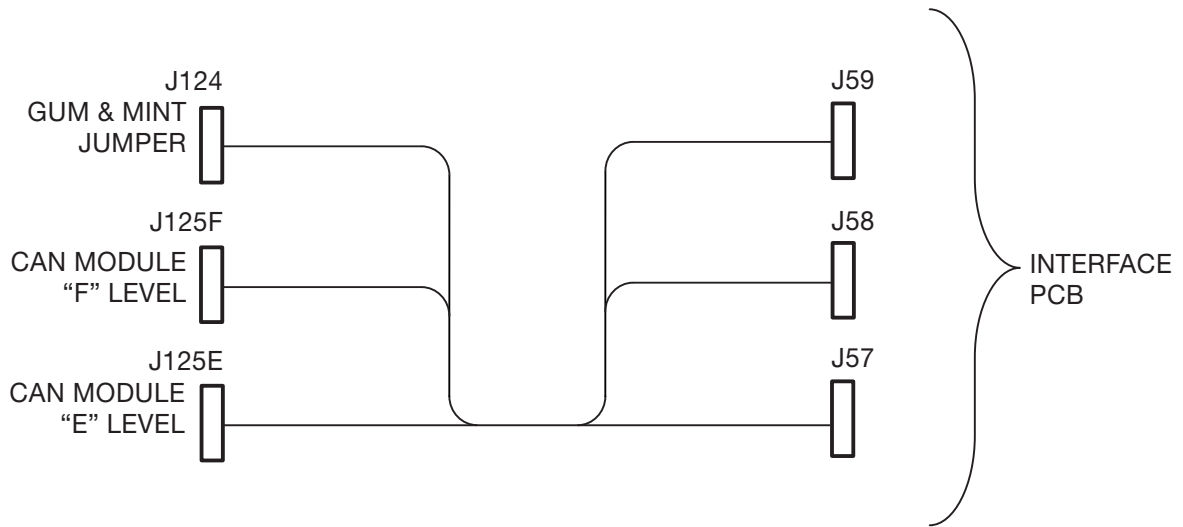


4849027

Figure 124. Wiring Harnesses (Part 15 of 25)



## 4974023 JUMPER - CAN, GUM & MINT



4974023

## 4974052 JUMPER - DRAIN - HTR.

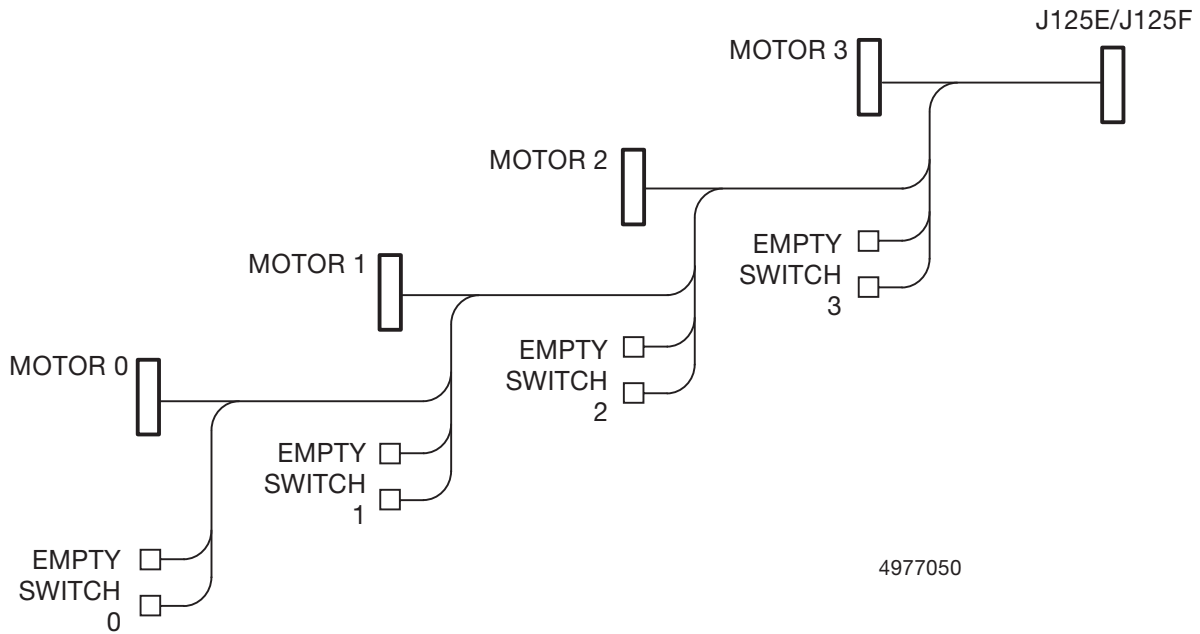


4974052

Figure 124. Wiring Harnesses (Part 16 of 25)



**4977050**  
**E OR F LEVEL CAN EJECTOR HARNESS**



**4977057**  
**HARNESS - CAN EJECTOR INTERFACE**

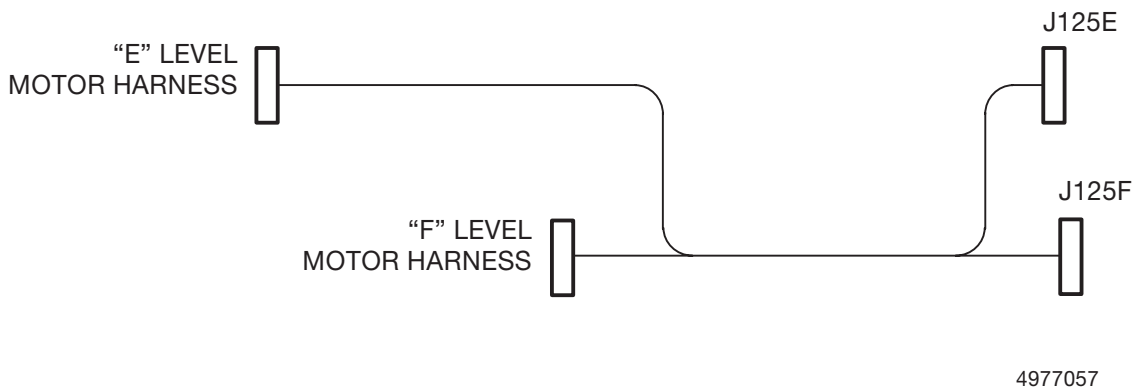


Figure 124. Wiring Harnesses (Part 17 of 25)

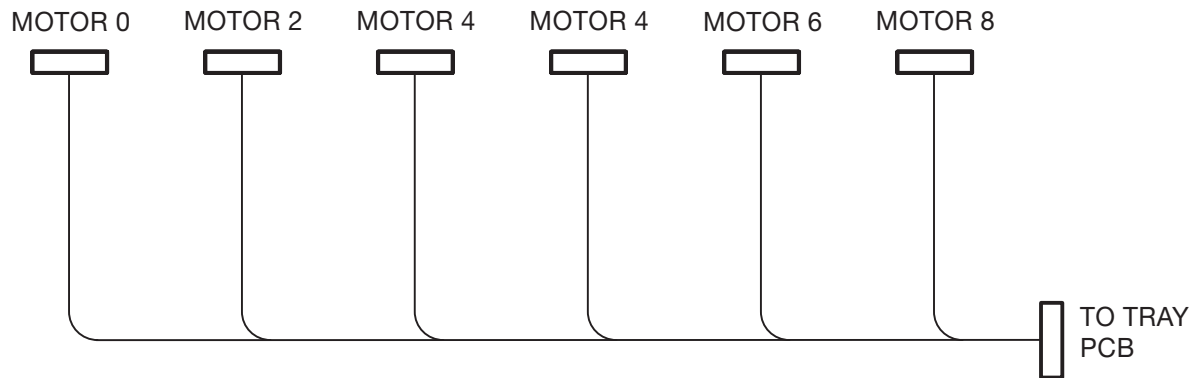


## 4979000 FLAT CABLE ASSEMBLY



4979000

## 4979001 HARNESS - 9 MOTOR TRAY FOOD MOD



4979001

Figure 124. Wiring Harnesses (Part 18 of 25)



**4979003**  
**HARNESS - TRAY - EXPANDED MOD 4 SEL.**



4979003

**4979004**  
**HARNESS - INTERFACE - EXP. MOD. TO PC**

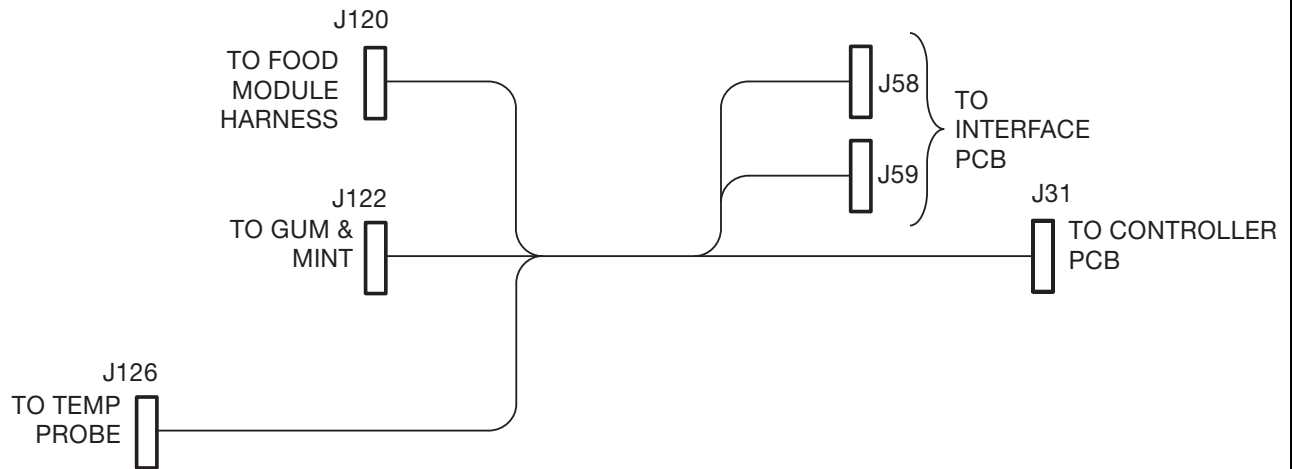


4979004

Figure 124. Wiring Harnesses (Part 19 of 25)

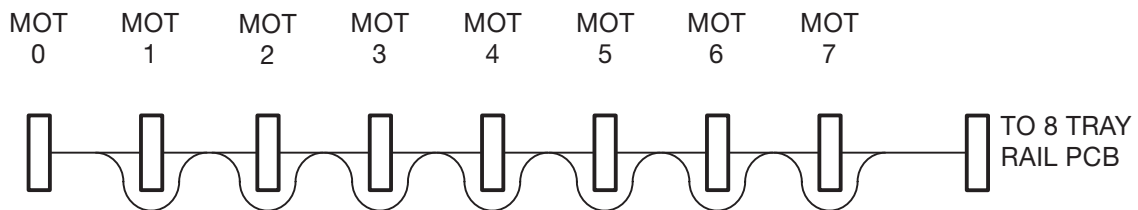


## 4979005 EXPANDED FOOD MODULE TO CONTROL HARNESS



4979005

## 4979006 8 MOTOR TRAY HARNESS

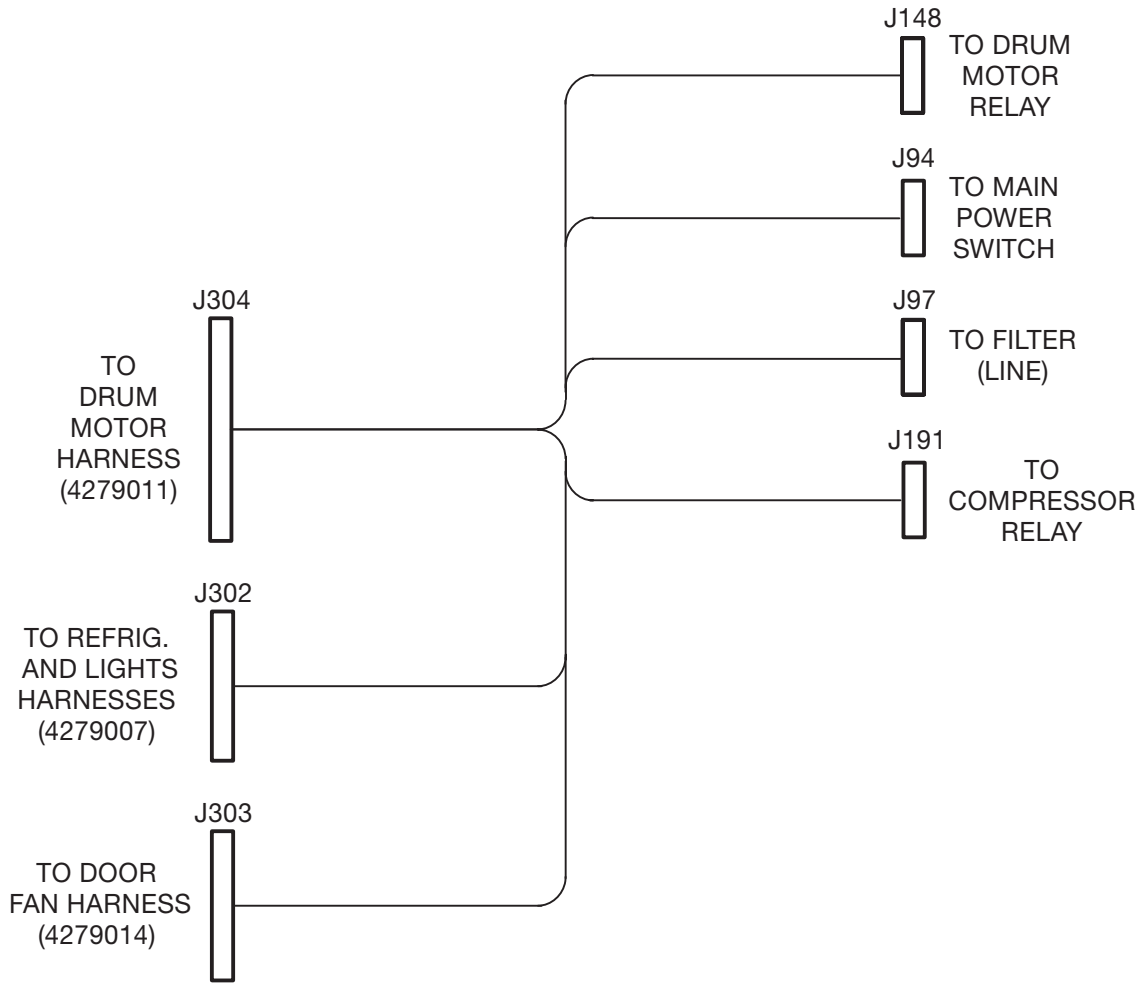


4979006

Figure 124. Wiring Harnesses (Part 20 of 25)



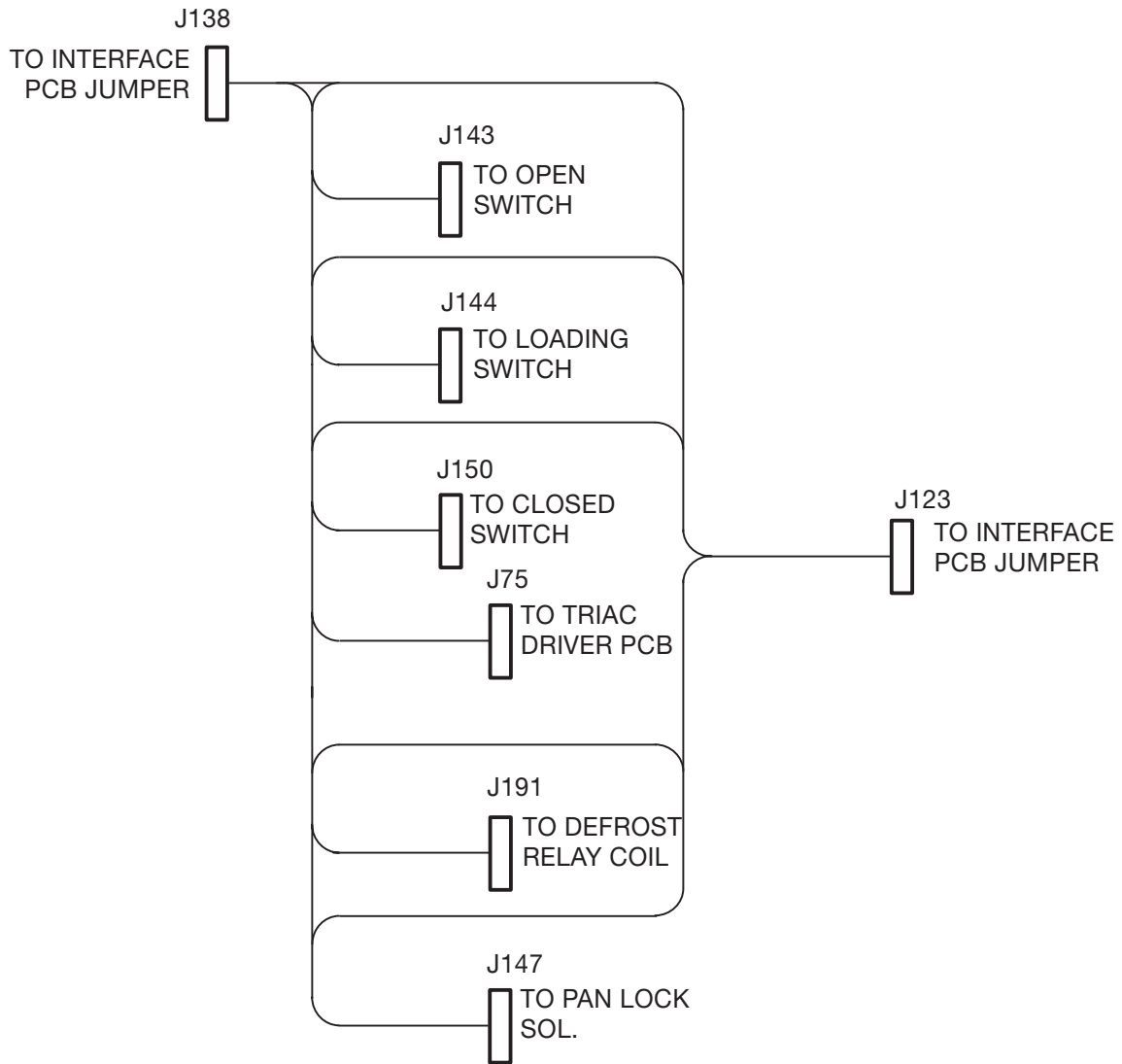
**4979007  
POWER PANEL AC HARNESS**







## 4979008 HARNESS - FOOD/FRZN MOD. - DC

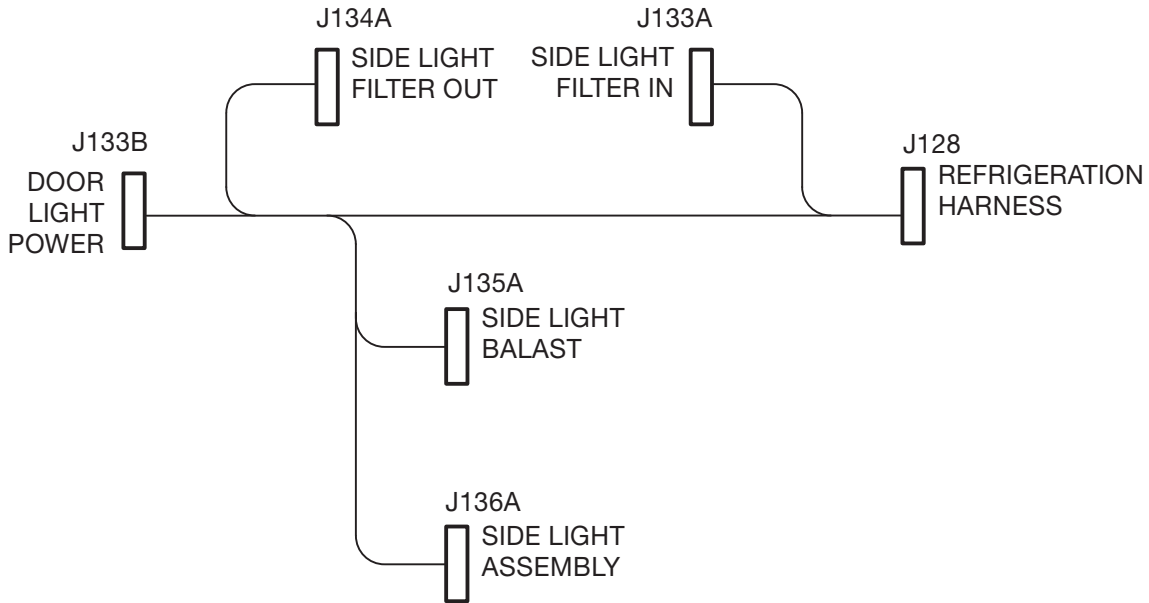


4979008

Figure 124. Wiring Harnesses (Part 21 of 25)



**4979009**  
**SIDE PANEL & DOOR FLUORESCENT LIGHT HARNESS**



4979009

**6339006**  
**FLUORESCENT LIGHT HARNESS**



6339006

**6339017**  
**DISPLAY TO CONTROLLER FLAT CABLE**



6339017

Figure 124. Wiring Harnesses (Part 22 of 25)



**9984094**  
**JUMPER-CABINET, SERVICE LIGHT**



**9984165**  
**JUMPER - GROUNDWIRE**



**9985043**  
**9985043**  
**CORD SET POLARIZED-GROUNDED**



**9989117**  
**JUMPER - EMI FILTER - 42 IN**



9989117

Figure 124. Wiring Harnesses (Part 23 of 25)



**9989576  
POWER CORD - W/BSI PLUG**



9989576

**9989560  
POWER CORD - FOR. - AUSTRALIA/N. ZEALAND**



9989560

**9989577  
EURO PLUG POWER CORD**



**9989706  
MDB HARNESS**

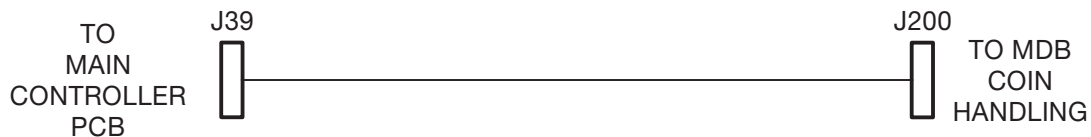


Figure 124. Wiring Harnesses (Part 24 of 25)



## 9989712 EXECUTIVE COIN MECH JUMPER



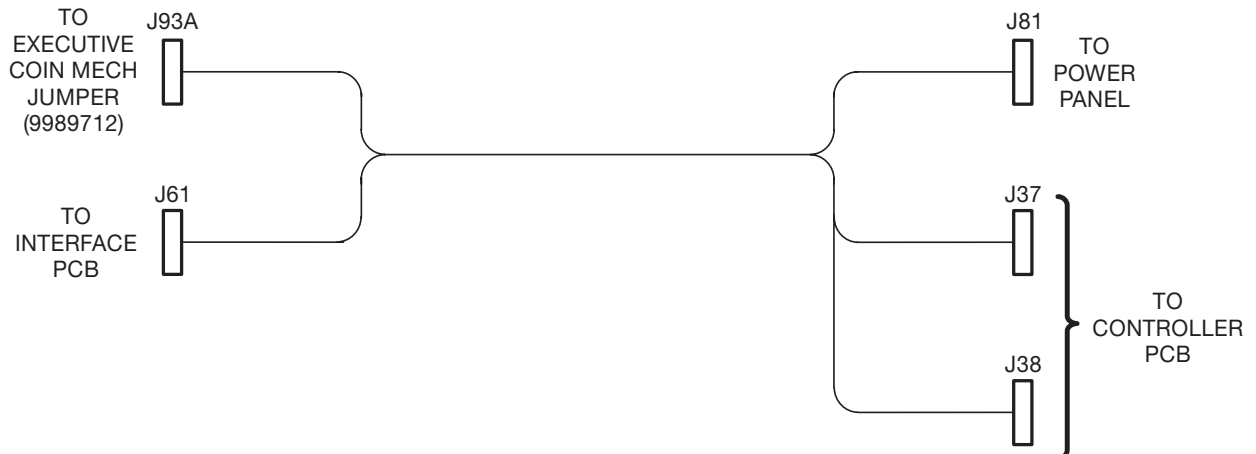
9989712

## 9989718 24V VALIDATOR JUMPER



9989718

## 9989750 24VAC PCB & COIN POWER HARNESS



9989750

Figure 124. Wiring Harnesses (Part 25 of 25)



# PART NUMBER INDEX

Part Number	Page	Part Number	Page
1127808	63	1471283	99
1140051	143	1472048	37
1140351	207	1472068	57
1170206	55, 57	1472069	55
1172021	99	1472082	65
1172190	45	1472083	57
1172191	45	1472087	55
1211105	143, 207, 211	1472088	57
1211110	101	1472105	57
1211112	99	1472108	55
1217159	161, 183	1472137	55
1217160	161	1472138	55
1217161	45	1472145	55
1302289	45	1472156	57
1302290	45	1472200	57
1302291	45	1472219	57
1302324	45	1472228	55
1302326	45	1472251	121
1306140	55, 57	1472271	57
1402052	55	1472272	55
1411194	89	1472288	55
1411195	89	1472427	65
1412022	57	1472454	157
1412023	55	1475053	127
1412028	55	1475089	121
1412046	55, 57, 67	1475107	127
1412047	57	1475119	220
1437204	67	1477014	129, 133, 137, 157
1451056	145, 165, 209	1477015	157
1451093	99	1477017	129, 133, 137
1451097	55, 65, 67, 183	1477020	131
1451124	220	1477022	131
1452139	65, 143, 183, 207	1477023	139
1457027	67, 161	1477024	139
1457061	139	1477026	139
1457062	139	1477027	139
1457063	139	1477029	139
1457064	139	1477030	139
1457065	139	1477032	139
1457099	161	1477033	139
1467127	137	1477035	139
1467128	137	1477038	139
1467129	137	1477039	139
1467130	137	1477041	139
1467131	137	1477042	139
1467136	137	1477044	139
1467137	137, 139	1477045	139
1471098	99	1477047	139
1471237	99	1477048	139

# Expanded Refreshment Center Parts Manual

Part Number	Page	Part Number	Page
1477050	139	1479099	67
1477051	139	1479101	67
1477053	139	1479103	67
1477054	139	1479104	67
1477056	139	1479105	69
1477057	139	1479106	69
1477059	139	1479117	67
1477060	139	1479119	67
1477062	139	1479120	67
1477063	139	1479123	67
1477073	139	1479124	67
1477097	129, 133, 137	1479136	67
1477098	139	1479139	67
1477099	139	1479145	67
1477100	139	1570057	101
1477101	139	1571009	121
1477102	139	1571035	101
1477103	139	1571040	101
1477104	139	1571115	99
1477105	139	1571127	99
1477106	139	1572020	37
1477107	139	1572040	67
1477113	131, 135, 139	1572186	47
1477114	139	1572187	47
1477134	129, 133, 137	1572188	47
1477148	129, 133, 137	1572243	37
1477149	139	1575001	121
1477150	139	1575008	121
1477152	139	1575010	121
1477153	139	1575043	121
1477155	139	1575048	125
1477156	139	1575050	127
1477157	129, 133, 137	1575074	121
1477175	129, 133, 137	1577000	67
1479052	65	1577013	157
1479062	67	1577014	157
1479063	67	1577035	67, 131, 135, 139, 161
1479064	67	1577040	129, 133, 137
1479073	67	1579003	220
1479076	67	1579005	127, 221
1479077	67	1579006	127, 221
1479078	69	1579008	221
1479079	69	1579009	221
1479080	69	1579010	222
1479081	69	1579012	222
1479082	69	1579013	101, 223
1479083	69	1579017	101, 223
1479084	69	1579019	224
1479089	67	1579021	224
1479092	67	1579028	127, 224
1479095	67	1579032	127, 225
1479097	69	1579034	127, 225
1479098	69	1579050	127, 225



# Expanded Refreshment Center Parts Manual

Part Number	Page	Part Number	Page
1579053	67	4304058	151, 219
1582005	226	4304192	143, 163, 207
1597001	129	4304216	151, 219
1597002	133	4402016	57
1597003	137	4402017	55
1599010	226	4404004	143, 207
1599012	131	4404006	207
1599013	135, 139	4404016	209
1599017	226	4407077	183
1599019	224, 227	4407079	183
1600851	126	4407080	183
1709000	228	4407084	183
1709001	229	4407093	183
1709002	230	4407131	183
1709006	230	4407157	183
2204092	161	4614107	143, 207
2204093	55	4641074	147, 215
2204513	165	4644008	143, 147
2221032	143, 207	4644029	151, 163, 219
2222031	47, 129, 133, 137	4644043	145, 209
2226380	157	4721035	143, 153, 157, 165, 207, 211
2228011	183	4724124	143, 165, 207
2272052	45	4732024	143, 207
2301077	153	4744009	143, 151, 163, 207, 219
2304109	183	4744020	145, 165, 209
2306488	183	4744022	143, 163, 207
2342109	57	4744030	143, 165
2342110	57	4744044	165
2342315	143, 207	4744045	143, 165, 207
2366091	161	4744069	165
3112163	45	4744106	143, 163, 207
3112164	45	4744108	143, 163, 207
3122056	67	4744109	163
3127034	183	4744112	143, 163, 207
3128063	145, 209	4747031	161
3152081	143, 207	4747036	161
3502097	131, 139	4747062	155
3502907	135	4747715	155
3608146	163	4747718	169
3608149	143, 163, 207	4751035	143, 207
3618157	143, 163, 207	4774002	151, 219
4041053	67	4774003	149, 217
4041241	143, 207, 211	4774013	165
4042556	57	4774027	151, 163, 219
4043082	143, 207	4774122	151, 163, 219
4043132	143, 207	4774203	149, 217
4047056	157	4844001	143, 147, 165, 215
4119013	143, 153, 165	4844014	143, 163, 207
4246044	57	4844015	143, 163, 207
4246307	67	4844019	207, 215
4279001	230	4844026	145, 209
4301152	143, 207	4849002	230
4304057	151, 219	4849003	230

# Expanded Refreshment Center Parts Manual

Part Number	Page	Part Number	Page
4849008	231	4976070	169
4849016	231	4977000	141
4849020	231	4977030	159
4849022	209, 219, 232	4977031	159
4849023	233	4977032	159
4849025	151, 234	4977033	161
4849027	234	4977034	161
4874002	149, 217	4977035	161
4972101	37	4977036	155
4972107	37	4977038	161
4972142	61	4977039	161
4972144	61	4977040	159
4974000	141	4977041	161
4974001	143, 207	4977048	159
4974007	141	4977049	159
4974009	141	4977050	236
4974011	149, 217	4977052	155
4974012	141	4977053	155
4974015	141, 145, 209	4977054	155
4974016	141	4977056	161
4974018	143, 163, 207	4977057	236
4974019	141	4977059	155
4974022	141	4977060	169
4974023	235	4977065	155
4974025	211	4979000	237
4974032	209	4979001	237
4974033	209	4979002	227
4974052	235	4979003	238
4975056	159	4979004	238
4976000	155	4979005	239
4976001	155	4979006	239
4976002	155	4979007	240
4976014	157	4979008	209, 241
4976015	157	4979009	242
4976024	157	4984013	151, 163, 219
4976025	157	4984016	151, 219
4976028	157	4984017	151, 219
4976029	157	4984021	151, 219
4976030	157	4984022	151, 163, 219
4976031	157	4984023	151, 219
4976032	157	4984024	151, 219
4976037	157	4984025	147, 215
4976038	157	4984027	149, 165, 217
4976039	157	4984028	147, 215
4976040	157	4984029	149, 217
4976042	155	4984032	149, 217
4976044	157	4984033	163
4976045	157	4984034	163
4976046	157	4984038	163
4976048	157	4984041	151
4976050	169	4984042	219
4976055	169	4987000	141
4976058	169	5201086	183

# Expanded Refreshment Center Parts Manual

Part Number	Page	Part Number	Page
5201267 .....	129, 133, 137	9900121 .....	45
5220113 .....	169	9900146 .....	55, 57
5305318 .....	161	9900171 .....	55, 57
5307321 .....	126	9900201 .....	67
5560113 .....	129, 133, 137	9900202 .....	55
5900094 .....	126	9900206 .....	161
5900096 .....	126	9900425 .....	67, 169
5900112 .....	126	9984094 .....	243
5900116 .....	126	9984165 .....	101, 243
5900182 .....	127	9984625 .....	121
5900192 .....	126	9985043 .....	243
5900193 .....	127	9989042 .....	101
5900198 .....	127	9989100 .....	101
5900205 .....	127	9989117 .....	243
5900209 .....	126	9989336 .....	101
5900210 .....	127	9989369 .....	101
5900213 .....	126	9989560 .....	244
5900214 .....	126	9989576 .....	244
5900216 .....	126	9989577 .....	244
5900217 .....	126	9989659 .....	101
5900221 .....	127	9989672 .....	101
5900222 .....	126	9989706 .....	244
5900233 .....	127	9989712 .....	245
5900234 .....	127	9989718 .....	127, 245
5900237 .....	126	9989750 .....	245
5900240 .....	126	9992400 .....	45
5900242 .....	126, 127		
5900243 .....	126	<b>B</b>	
5900244 .....	126	B4640011 .....	21
5900245 .....	127	B4970000 .....	14
6131066 .....	143, 207	B4970003 .....	18
6131143 .....	67	B4970005 .....	20
6231087 .....	89	B4970006 .....	14
6231163 .....	99	B4970007 .....	18
6231189 .....	141	B4970008 .....	21
6231203 .....	99	B4980000 .....	16
6231216 .....	141	B4980001 .....	15
6231229 .....	141	B4980002 .....	19
6232290 .....	141	B4980003 .....	17
6339006 .....	242	B4980004 .....	16
6339017 .....	242	B4980005 .....	17
6400002 .....	126	B4980006 .....	19
6400003 .....	126	B4980007 .....	15
7207019 .....	55		
9900019 .....	145, 165, 209	<b>N</b>	
9900020 .....	67	NB4970001 .....	20
9900023 .....	183		
9900030 .....	129, 133, 137		
9900081 .....	47, 55, 57, 63, 67, 101, 125, 143, 165, 207	,4111091 .....	89
9900098 .....	63, 89, 183		