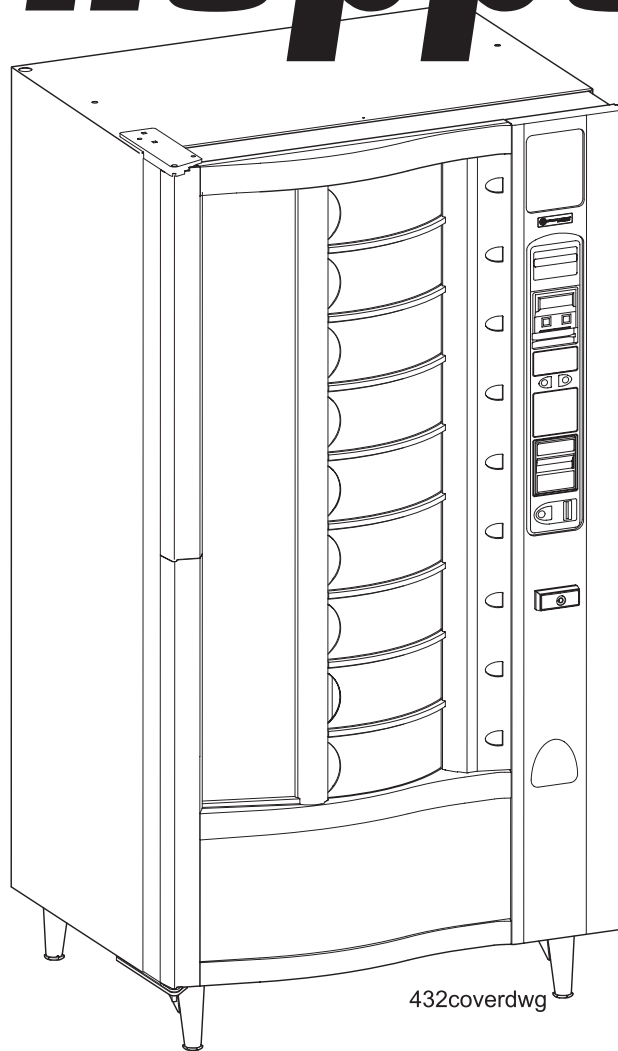


4320008

Model 432

Shopper



432coverdwg

Parts Manual

This machine has been engineered to our own rigid safety and performance requirements and manufactured in accordance with the safety standards of Underwriters Laboratories (UL) and the Canadian Standards Association (CSA).

It has been designed to comply with the National Automatic Merchandising Association (NAMA) "Standard for the Sanitary Design and Construction of Food and Beverage Vending Machines".

To maintain this degree of safety and to continue to achieve the level of performance built into this machine, it is important that installation and maintenance be performed so as to not alter the original construction or wiring and that replacement parts are as specified in this

Parts Manual. Your investment in this equipment will be protected by using the **Operator's Guide** and this **Parts Manual**

List of Figures

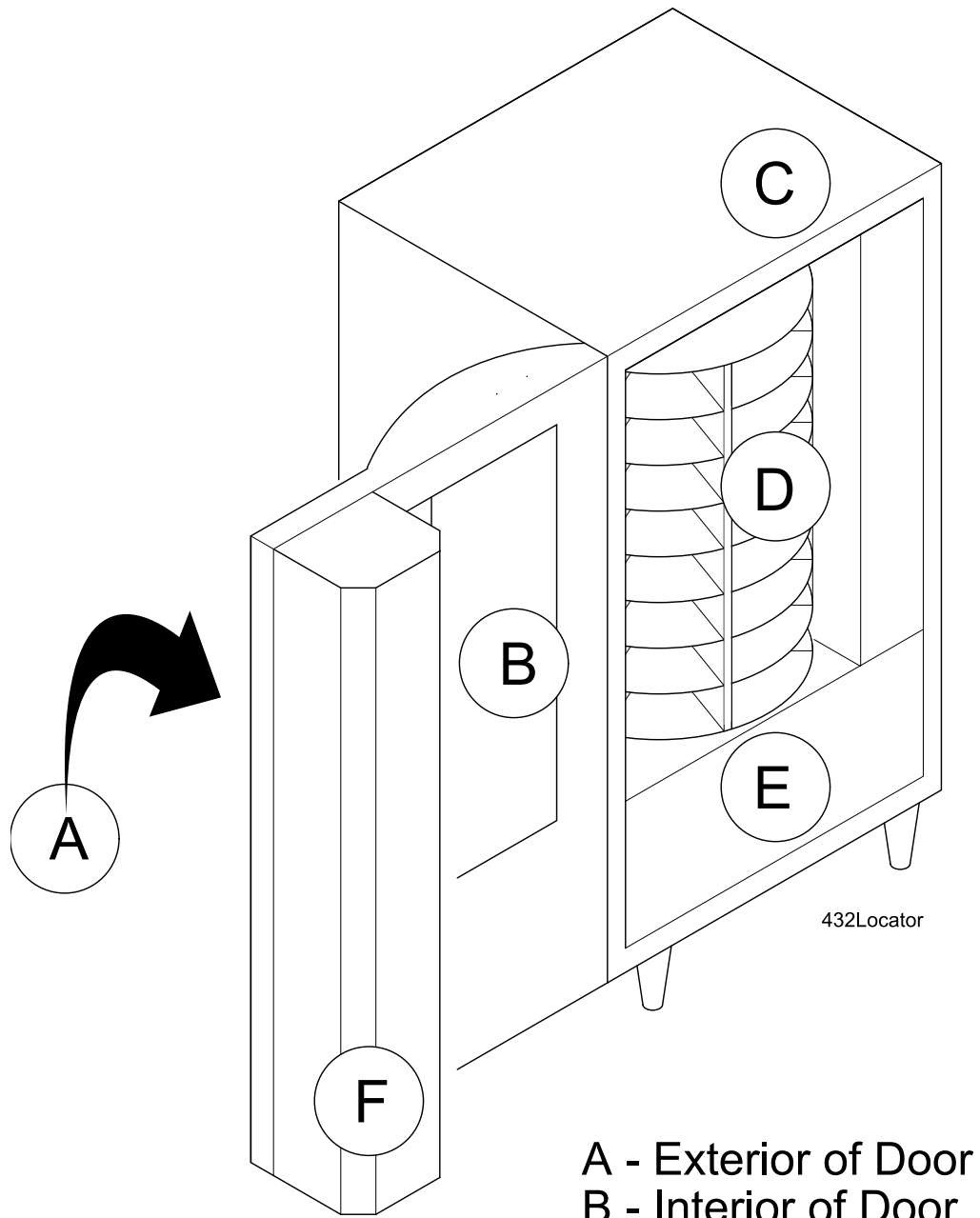
| | |
|--|-----------|
| Section A: Exterior of Door | 1 |
| FIGURE 1: 432 Door Trim | 2 |
| FIGURE 2: Door Hinge Assemblies | 4 |
| Section B: Interior of Door | 6 |
| FIGURE 3: Door Glass and Misc. Interior Door Parts | 6 |
| FIGURE 4: Light Assembly | 8 |
| FIGURE 5: Lamp Assembly - POP | 10 |
| FIGURE 6: Main Controller & Access Panel Stop | 12 |
| FIGURE 7: Manual Vend Guide Assembly-Top | 14 |
| FIGURE 8: Manual Vend Guide Assembly-middle | 16 |
| FIGURE 9: Vend Guide Assembly-bottom (Manual And Auto) | 18 |
| FIGURE 10: Power Vend Guide Assembly-top | 20 |
| FIGURE 11: Power Vend Guide Assembly-middle | 22 |
| FIGURE 12: Door Switch Assembly | 24 |
| FIGURE 13: Interior Door - Miscellaneous Parts | 26 |
| FIGURE 14: Lock Bar Assembly | 28 |
| FIGURE 15: Buss Bar And Vend Door Lock | 30 |
| Section C: Cabinet | 32 |
| FIGURE 16: Leg Assemblies & Air Inlet/Outlet Screens | 32 |
| FIGURE 17: Base Plate Accessory | 34 |
| Section D: Turret | 36 |
| FIGURE 18: Turret | 36 |
| FIGURE 19: Turret - Top Parts | 38 |
| FIGURE 20: Turret - Bottom Parts | 40 |
| FIGURE 21: Motor Drive Assembly | 42 |
| FIGURE 22: Stop Pin Assembly | 44 |
| Section E: Refrigeration | 46 |
| FIGURE 23: Refrigeration Unit Assembly | 46 |
| FIGURE 24: Refrigeration Unit Components | 48 |
| FIGURE 25: Refrigeration Unit - Base and Condenser Fan | 50 |
| FIGURE 26: Evaporator Motor Assembly | 52 |
| FIGURE 27: Refrigeration Air Ducts | 54 |
| Section F: Monetary | 56 |
| FIGURE 28: Monetary Panel | 56 |
| FIGURE 29: Interior Monetary Panel | 58 |
| FIGURE 30: Upper Monetary - Exterior | 60 |
| FIGURE 31: Exterior Monetary Panel | 62 |
| FIGURE 32: Interior Monetary Latch Arm Assembly | 64 |
| FIGURE 33: Coin box assy | 66 |
| FIGURE 34: Monetary Options & Interior monetary Panel | 68 |
| Section G: Miscellaneous | 70 |

| | |
|---|----|
| FIGURE 35: Power Panel Assembly - Domestic (115V) | 70 |
| FIGURE 36: Power Panel Assembly - International (230V) | 72 |
| FIGURE 37: Power Panel Assembly - Rear - Domestic - (115V) | 74 |
| FIGURE 38: Power Panel Assembly - Rear - International - (230V) | 76 |
| FIGURE 39: Shopper Wiring Diagram - Domestic - (115V) | 78 |
| FIGURE 40: Shopper Wiring Diagram - International - (230V) | 79 |
| FIGURE 41: Harness Diagram - Power Panel | 80 |

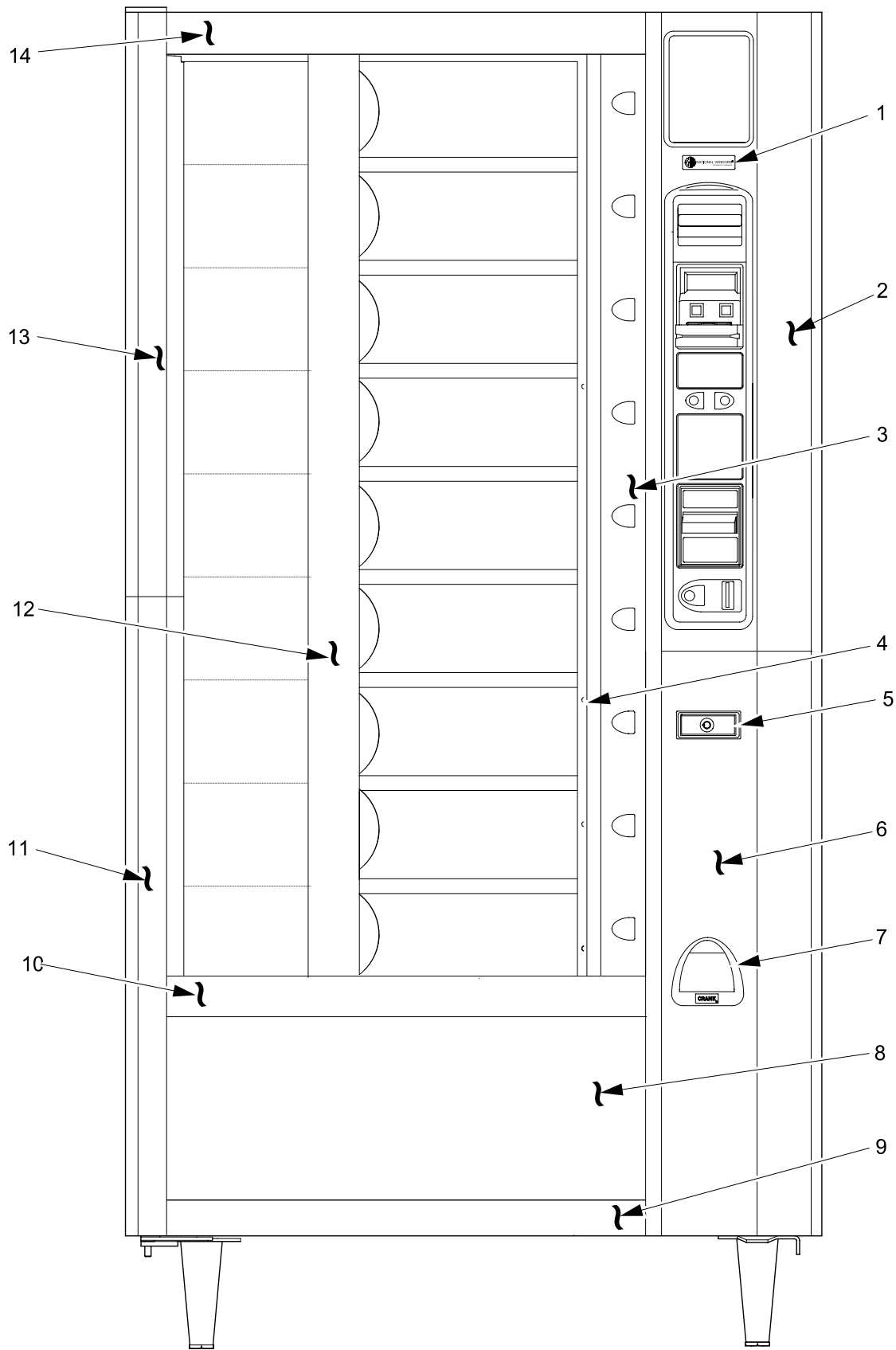
List of Tables

| | |
|---|-----------|
| Section A: Exterior of Door | 1 |
| TABLE 1: 432 Door Trim | 3 |
| TABLE 1A: Trim Hardware | 3 |
| TABLE 2: Door Hinge Assemblies | 5 |
| Section B: Interior of Door | 6 |
| TABLE 3: Door Glass and Misc. Interior Door Parts | 7 |
| TABLE 4: Light Assembly | 9 |
| TABLE 5: Lamp Assembly - POP | 11 |
| TABLE 6: Main Controller & Access Panel Stop | 13 |
| TABLE 7: Manual Vend Guide Assembly-Top | 15 |
| TABLE 8: Manual Vend Guide Assembly-middle | 17 |
| TABLE 9: Vend Guide Assembly-bottom (Manual And Auto) | 19 |
| TABLE 10: Power Vend Guide Assembly-top | 21 |
| TABLE 11: Power Vend Guide Assembly-middle | 23 |
| TABLE 12: Door Switch Assembly | 25 |
| TABLE 13: Interior Door - Miscellaneous Parts | 27 |
| TABLE 14: Lock Bar Assembly | 29 |
| TABLE 15: Buss Bar And Vend Door Lock | 31 |
| Section C: Cabinet | 32 |
| TABLE 16: Leg Assemblies & Air Inlet/Outlet Screens | 33 |
| TABLE 17: Base Plate Accessory | 35 |
| Section D: Turret | 36 |
| TABLE 18: Turret | 37 |
| TABLE 19: Turret - Top Parts | 39 |
| TABLE 20: Turret - Bottom Parts | 41 |
| TABLE 21: Motor Drive Assembly | 43 |
| TABLE 22: Stop Pin Assembly | 45 |
| Section E: Refrigeration | 46 |
| TABLE 23: Refrigeration Unit Assembly | 47 |
| TABLE 24: Refrigeration Unit Components | 49 |
| TABLE 25: Refrigeration Unit - Base and Condenser Fan | 51 |
| TABLE 26: Evaporator Motor Assembly | 53 |
| TABLE 27: Refrigeration Air Ducts | 55 |
| Section F: Monetary | 56 |
| TABLE 28: Monetary Panel | 57 |
| TABLE 29: Interior Monetary Panel | 59 |
| TABLE 30: Upper Monetary - Exterior | 61 |
| TABLE 31: Exterior Monetary Panel | 63 |
| TABLE 32: Interior Monetary Latch Arm Assembly | 65 |
| TABLE 33: Coin Box Assembly | 67 |
| TABLE 34: Monetary Options & Interior Monetary Panel | 69 |

| | |
|--|-----------|
| Section G: Miscellaneous | 70 |
| TABLE 35: Power Panel Assembly - Domestic (115V) | 71 |
| TABLE 36: Power Panel Assembly - International (230V) | 73 |
| TABLE 37: Power Panel Assembly - Rear - Domestic (115V) | 75 |
| TABLE 38: Power Panel Assembly - Rear - International (230V) | 77 |
| TABLE 39: 432 Harness List | 81 |
| TABLE 40: Bag Assembly: 15 - B4320000 (115V) | 82 |
| TABLE 41: Bag Assembly: 15 - B4320001 (230V) | 82 |



- A - Exterior of Door
- B - Interior of Door
- C - Cabinet
- D - Turret
- E - Refrigeration
- F - Monetary
- G - Miscellaneous



432p0008

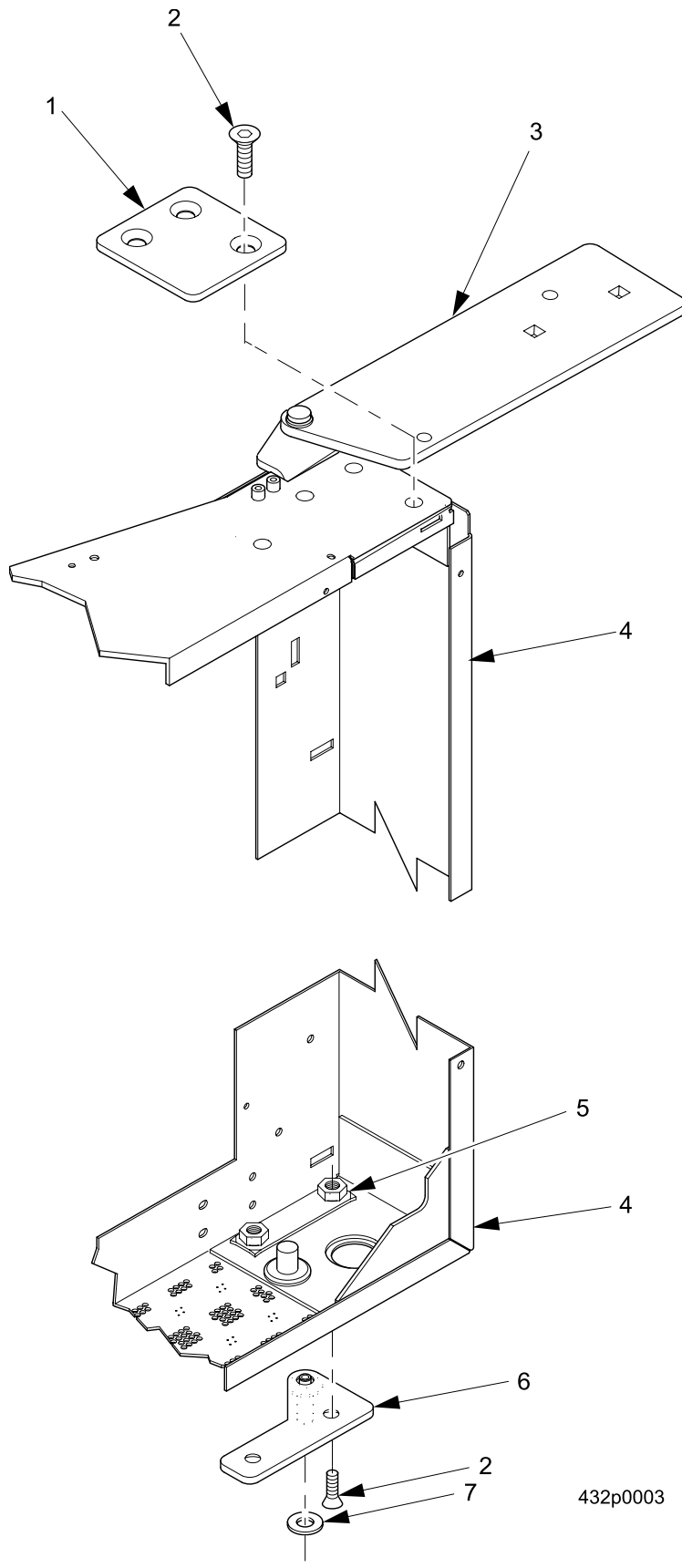
FIGURE 1: 432 DOOR TRIM

TABLE 1: 432 DOOR TRIM

| INDEX | PART NUMBER | DESCRIPTION | QTY |
|-------|-------------|-------------------------------------|-----|
| 1 | 4322101 | PLATE - NV LOGO | 1 |
| 2 | 4325037 | PANEL - TRIM - TOP ACCESS | 1 |
| 3 | 4325013 | PANEL ASSY- OUTER - MONETARY | 1 |
| 4 | 4325088 | TRIM - SIDE - ACCESS PANEL - BLACK | 1 |
| 5 | 4322113 | LOCK ASSEMBLY - "T" | 1 |
| 6 | 4325038 | PANEL - TRIM - BOTTOM - ACCESS | 1 |
| 7 | 4325064 | BEZEL - COIN RETURN CUP | 1 |
| 8 | 4322241 | POP-LARGE-GRAPHICS | 1 |
| 9 | 4322070 | TRIM - HORIZONTAL - LOWER S - CURVE | 1 |
| 10 | 4322071 | TRIM - HORIZONTAL - MID S - CURVE | 1 |
| 11 | 4322087 | TRIM - LEFT VERTICAL - LOWER | 1 |
| 12 | 4322114 | TRIM - POST - CENTER - BLACK | 1 |
| 13 | 4322067 | TRIM - LEFT VERTICAL - UPPER | 1 |
| 14 | 4322074 | TRIM - HORIZONTAL - UPPER - CURVE | 1 |

TABLE 1A: TRIM HARDWARE

| TRIM | DESCRIPTION | RETAINER | SCREW | TAPE |
|---------|-------------------------------------|-------------|-------------|-------------|
| 4322074 | TRIM - HORIZONTAL - UPPER - CURVE | 4552371(4) | 1451097(4) | -- |
| 4322067 | TRIM - LEFT VERTICAL - UPPER | 4552371(12) | -- | -- |
| 4322087 | TRIM - LEFT VERTICAL - LOWER | 4552371(9) | 474717 1(5) | -- |
| 4322071 | TRIM - HORIZONTAL - MID S - CURVE | 4552371(6) | 4747171(4) | -- |
| 4322070 | TRIM - HORIZONTAL - LOWER S - CURVE | -- | 4747171(18) | -- |
| 4325037 | PANEL - TRIM - TOP ACCESS | -- | 4747171(12) | -- |
| 4325038 | PANEL - TRIM - BOTTOM - ACCESS | -- | 4747171(19) | -- |
| 4322114 | TRIM - POST - CENTER - BLACK | -- | 4312215 (4) | 4322102 (2) |

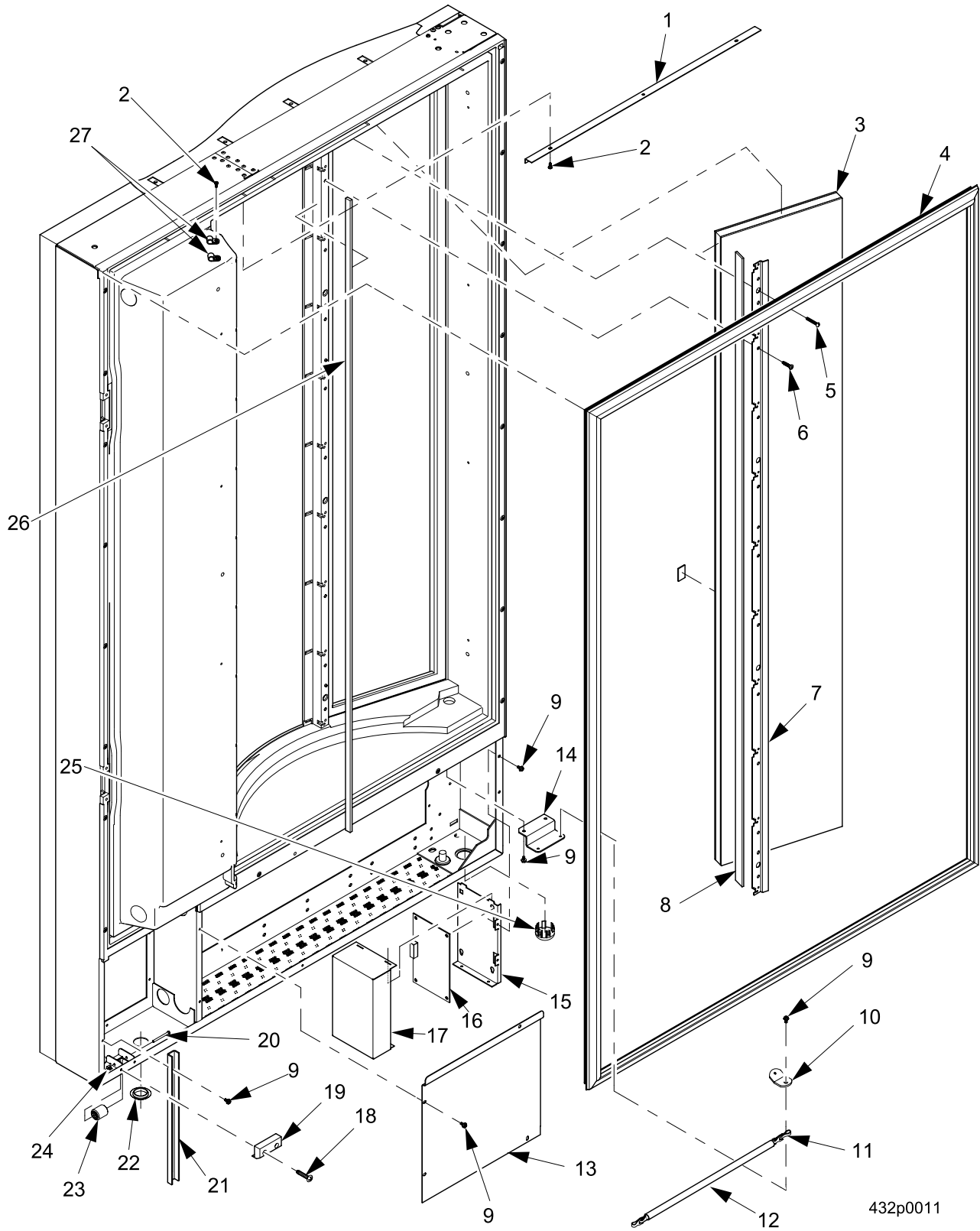


432p0003

FIGURE 2: DOOR HINGE ASSEMBLIES

TABLE 2: DOOR HINGE ASSEMBLIES

| INDEX | PART NUMBER | DESCRIPTION | QTY |
|-------|-------------|--|-----|
| 1 | 4322010 | PLATE - CLAMP - HINGE - TOP | 1 |
| 2 | 6232036 | SCREW - 5/16 - 18X.75 FLAT HEAD SOCKET | 5 |
| 3 | 4322007 | HINGE ASSEMBLY - DOOR - TOP | 1 |
| 4 | 4322145 | WELD ASSEMBLY - DOOR FRAME - N.V. BLACK. | 1 |
| 5 | 6232028 | PLATE ASSEMBLY - HINGE MOUNTING | 1 |
| 6 | 4322005 | HINGE & PIN ASSEMBLY - DOOR BOTTOM | 1 |
| 7 | 4242145 | BEARING-THRUST LOWER HINGE | 1 |



432p0011

FIGURE 3: DOOR GLASS AND MISC. INTERIOR DOOR PARTS

TABLE 3: DOOR GLASS AND MISC. INTERIOR DOOR PARTS

| INDEX | PART NUMBER | DESCRIPTION | QTY |
|-------|-------------|-------------------------------------|-------|
| -- | 4322081 | FOAMED DOOR ASSEMBLY - BLACK/BLACK | -- |
| 1 | 4322059 | RETAINER - HARNESS | 1 |
| 2 | 4747171 | SCREW - #6-19 X .38 PHIL.PHS | 50 |
| 3 | 4322003 | GLASS ASSEMBLY - INSULATED - 24 VAC | 1 |
| 4 | 4322002 | GASKET - DOOR - BLACK | 1 |
| 5 | 4312215 | SCREW - #8-18 X 1 1/4 RHP TAPP | 4 |
| 6 | 1572242 | SCREW - #8-18 X.75 PLASTITE HH | 60 |
| 7 | 4322137 | REINF. - POST - CENTER - BLACK | 1 |
| 8 | 4727069 | GASKET-.19X.38 | 50.65 |
| 9 | 1451097 | SCREW - #8-32X.31 HEX HD.TF-BL | 37 |
| 10 | 4301285 | BRACKET - DOOR CHAIN | 1 |
| 11 | 4552122 | CHAIN - SASH - 13.8 LONG | 1 |
| 12 | 4552121 | COVER - CHAIN | 1 |
| 13 | 4322034 | BAFFLE - INLET - AIR | 1 |
| 14 | 4322152 | BRACKET - CHAIN - DOOR | 1 |
| 15 | 4322076 | BRACKET - MOUNT - 1/O BOARD | 1 |
| 16 | 4326007 | PCB ASSEMBLY - SHOPPER INTERFACE | 1 |
| 17 | 4322075 | COVER - ELECTRIC - 1/O BOARD | 1 |
| 18 | 4312213 | SCREW - #8-18 X 1 1/4 RHP TAPPING | 2 |
| 19 | 4302191 | GLIDE - DOOR | 1 |
| 20 | 4322198 | PIN - ROLLER | 1 |
| 21 | 4321063 | CHANNEL - SUPPORT - DOOR | 1 |
| 22 | 6231034 | PLUG - HOLE | 1 |
| 23 | 4322013 | ROLLER - SUPPORT - DOOR | 1 |
| 24 | 2366055 | SPEED CLIP - COMPRESSION RG | 3 |
| 25 | 4311096 | PLUG - FOAMING HOLE | 1 |
| 26 | 4322091 | TAPE - SPONGE - .42 X .19 | 1 |
| 27 | 2221049 | WIRE CLAMP - .302 DIA | 2 |

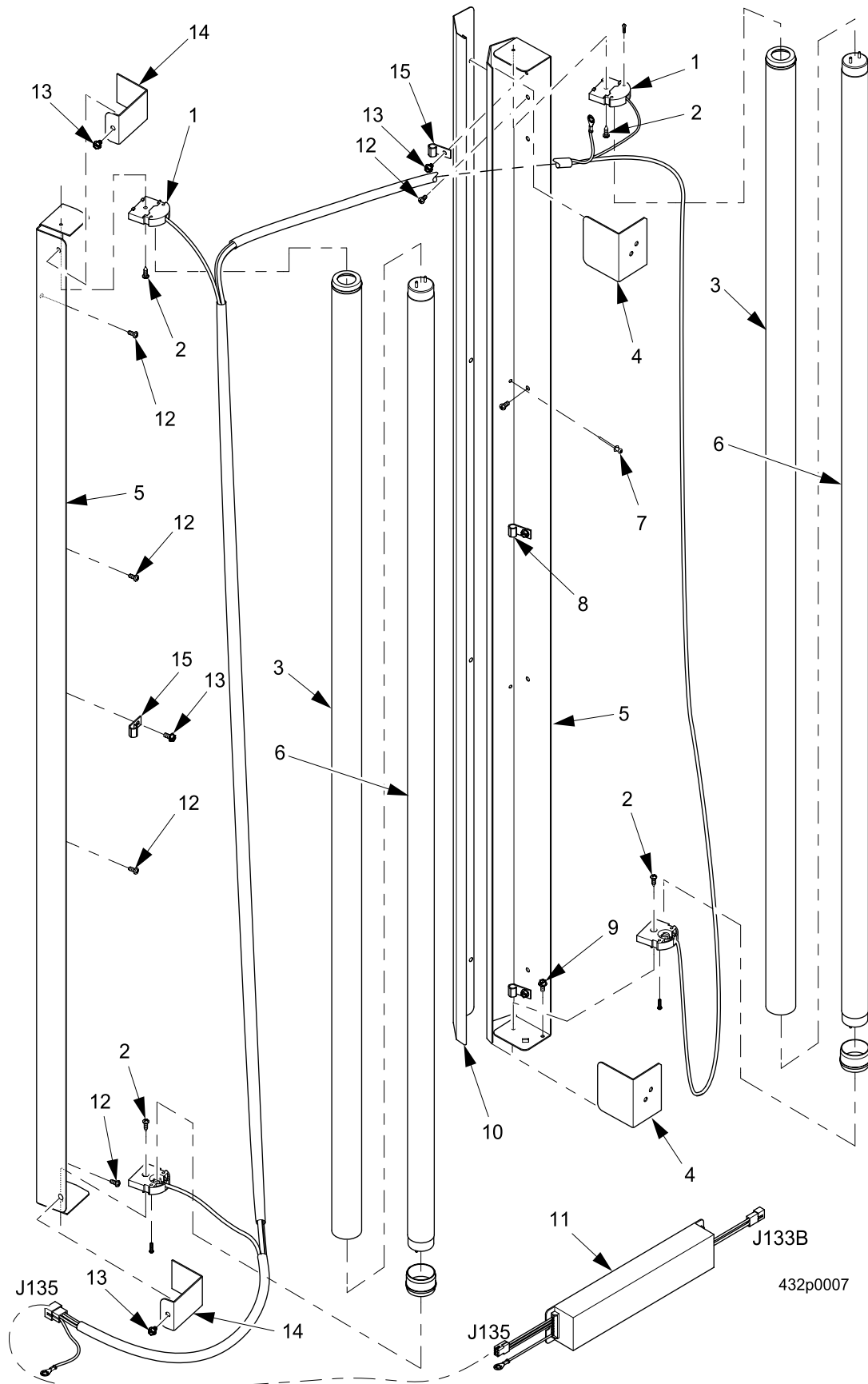


FIGURE 4: LIGHT ASSEMBLY

TABLE 4: LIGHT ASSEMBLY

| INDEX | PART NUMBER | DESCRIPTION | QTY |
|-------|-------------|---|-----|
| -- | 4322171 | LAMP ASSEMBLY - FLUORESCENT - DOOR - BLACK - (115V) | -- |
| | 4322172 | LAMP ASSEMBLY - FLUORESCENT - DOOR - BLACK - (230V) | |
| 1 | 4329008 | HARNESS - LAMP TO BALLAST - (115V) | 1 |
| | 4329014 | HARNESS - LAMP TO BALLAST - (230V) | |
| 2 | G1472027 | SCREW - SHEET METAL - #6 X .44 - (115V) | 4 |
| | 9900219 | SCREW - #4-36 X .437 RH PHILLI PS- (230V) | 8 |
| 3 | 4322066 | SAFETY LAMP SLEEVE W/END CAPS | 2 |
| 4 | 4322107 | SHIELD - TERMINAL - EXPORT - LEFT (230V ONLY) | 2 |
| 5 | 4322218 | BRACKET - SHIELD - LAMP - LEFT - WHITE - (115V) | 2 |
| | 4322156 | BRACKET - SHIELD - LAMP - LEFT - EX - (230V) | 1 |
| | 4322157 | BRACKET - SHIELD - LAMP - RIGHT - EX - (230V) | 1 |
| 6 | 4322065 | LAMP - FLUORESCENT - 32 WATT - (115V) | 2 |
| | 4322169 | LAMP - FLUORESCENT - 36 WATT - (230V) | |
| 7 | 4031248 | RIVET - POP - .125 DIA X .232 | 4 |
| 8 | 1452139 | RETAINER - HARNESS - (115V) | 3 |
| | 1452139 | RETAINER - HARNESS - (230V) | |
| 9 | 3157060 | SCREW - #8-32 X .31 HEX W/ HD. | 2 |
| 10 | 4322232 | PANEL - TRIM - LAMP - BLACK | 1 |
| 11 | 4329021 | BALLAST - ASSEMBLY - ELECTRONIC - (115V) | 1 |
| | 4329017 | BALLAST - MAGNETIC - (230V) | 1 |
| 12 | 4747171 | SCREW - #6-19 X .38 PHIL.PHS-T/C | 8 |
| 13 | 1451097 | SCREW-#8-32X.31 HEX HD.TF | 5 |
| 14 | 4322106 | SHIELD - TERMINAL - EXPORT - RIGHT (230V ONLY) | 2 |
| 15 | 2342315 | CLIP - WIRE HARNESS | 2 |

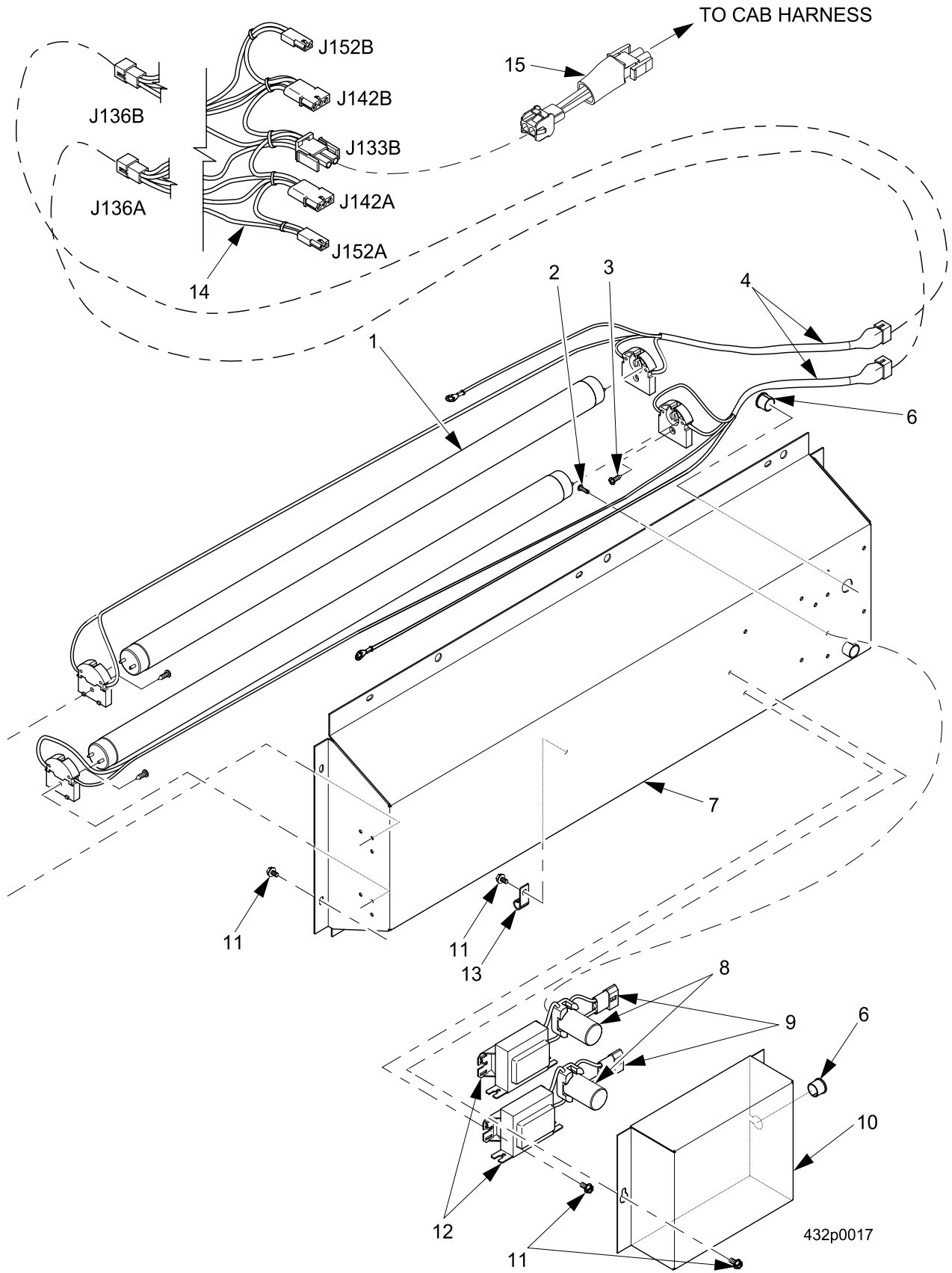
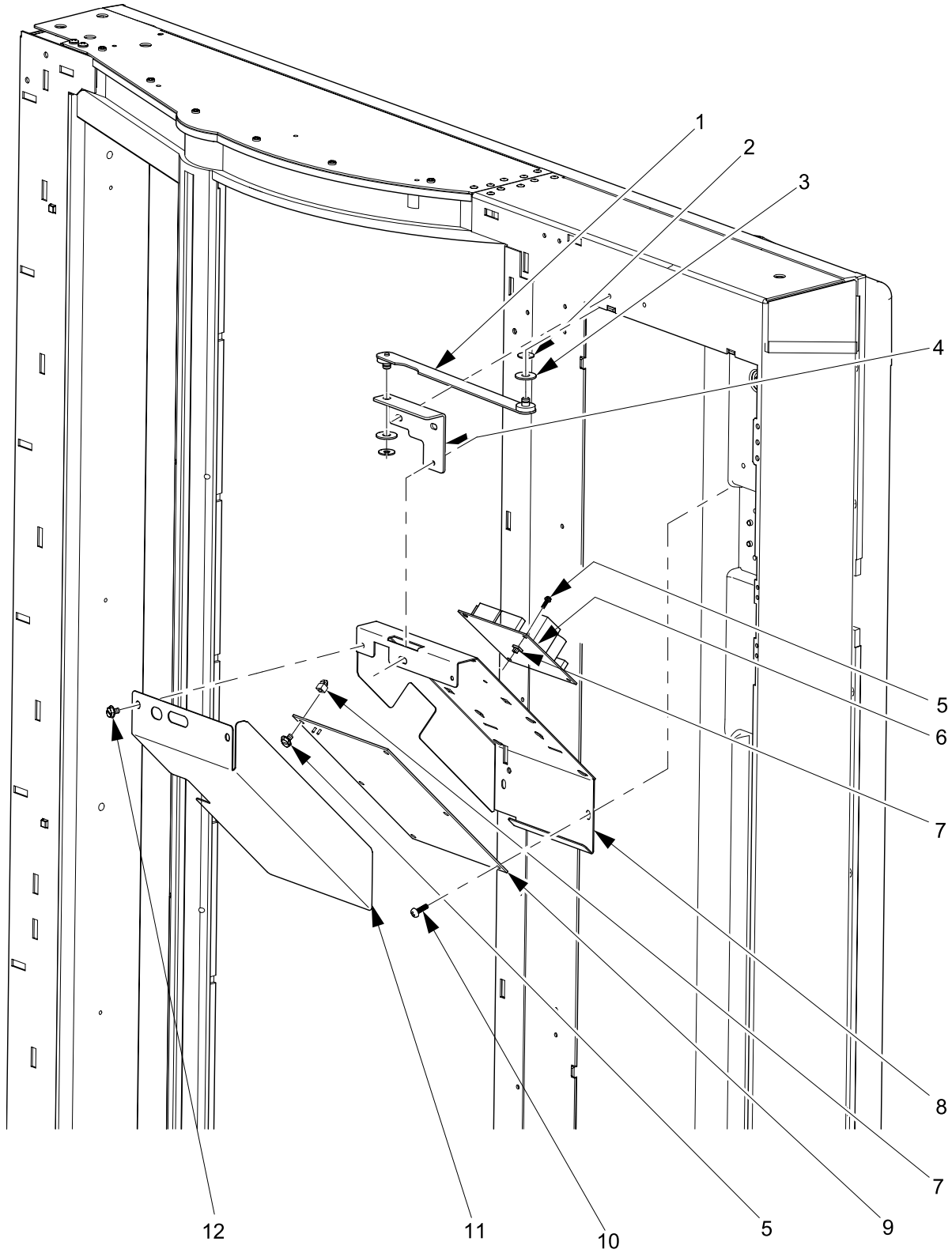


FIGURE 5: LAMP ASSEMBLY - POP

TABLE 5: LAMP ASSEMBLY - POP

| INDEX | PART NUMBER | DESCRIPTION | QTY |
|-------|-------------|--|-----|
| -- | 4322072 | LAMP ASSEMBLY - P.O.P. - 60HZ (115V) | -- |
| | 4322166 | LAMP ASSEMBLY - P.O.P. - 50HZ (230V) | |
| 1 | 6732034 | LAMP - FLUORESCENT - 18W | 2 |
| 2 | 4271062 | SCREW - #4-24 X .375 PH Z-P S. | 4 |
| 3 | G1472027 | SCREW - SHEET METAL - #6 X .44 | 4 |
| 4 | 4329019 | HARNESS - POP LAMP | 2 |
| 5 | 4329001 | HARNESS - LAMP TO POWER PANEL | 1 |
| 6 | 3502097 | BUSHING #OCB-500 | 3 |
| 7 | 4322182 | PANEL - LAMP - P.O.P. - WHITE | 1 |
| 8 | 2222095 | STARTER FS-2, FLUORESCENT LAMP | 2 |
| 9 | 4319008 | STARTER SOCKET ASSEMBLY | 2 |
| 10 | 4322179 | COVER - BALLAST - P.O.P. | 1 |
| 11 | 1451097 | SCREW - #8-32X.31 HEX HD.TF - BLACK | 16 |
| 12 | 3151058 | BALLAST ASSEMBLY - 14/20 WATT - (115V) | 2 |
| | 6332009 | BALLAST ASSEMBLY - 18 WATT - (230V) | |
| 13 | 2342315 | CLIP - WIRE HARNESS | 2 |
| 14 | 4329010 | HARNESS - POP - BALLAST | 1 |
| 15 | 1679005 | FLST. LIGHT FILTER-120/230V | 1 |

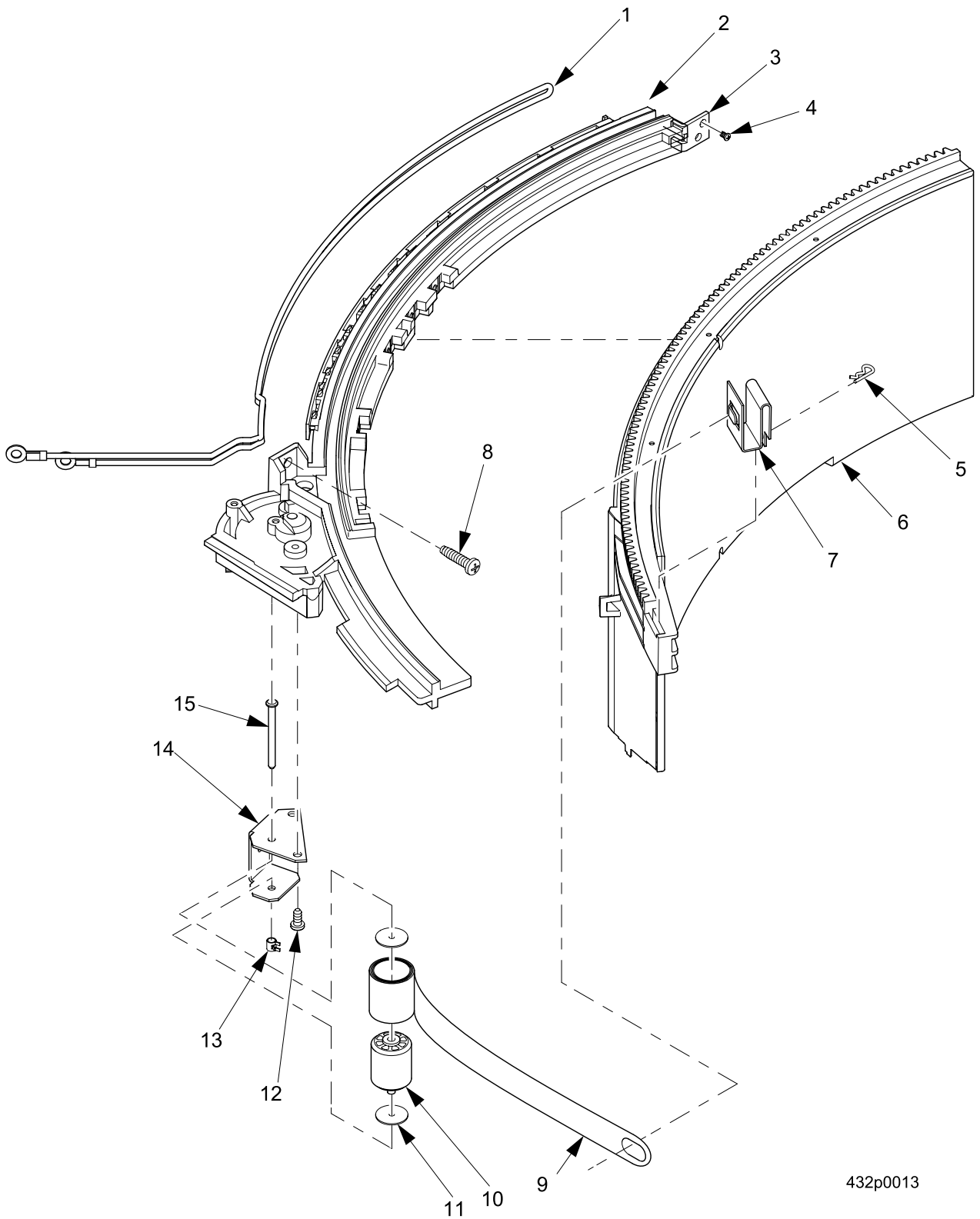


432p0041

FIGURE 6: MAIN CONTROLLER & ACCESS PANEL STOP

TABLE 6: MAIN CONTROLLER & ACCESS PANEL STOP

| INDEX | PART NUMBER | DESCRIPTION | QTY |
|-------|-------------|---------------------------------|-----|
| 1 | 4325058 | ARM ASSY- PIVOT - ACCESS PANEL | 1 |
| 2 | 9900425 | RETAINING RING REINF E TYP.250 | 2 |
| 3 | 6404034 | WASHER - .687 O.D. X .265 I.D. | 2 |
| 4 | 4325057 | BRACKET - PIVOT - ACCESS PANEL | 1 |
| 5 | 1471199 | SCREW-#8-18 X .62 HEX/WH. | 2 |
| 6 | 4326016 | PCB ASSY SOLENOID W/O MOTOR | 1 |
| | 4326015 | PCB ASSY SOLENOID W/ MOTOR | |
| 7 | 4241165 | SPACER-LINER-.375LG X.500 DIA | 2 |
| 8 | 4325132 | HOUSING - MAIN CONTROLLER BOARD | 1 |
| 9 | 4326005 | MAIN CONTROLLER PCB W/EPROM | 1 |
| 10 | 1572242 | SCREW #8-18 X .75 PLASTITE H HS | 2 |
| 11 | 4325133 | COVER MAIN CONTROLLER-BOARD | 1 |
| 12 | 1451097 | SCREW - #8-32X.31 HEX HD.TF-BL | 2 |

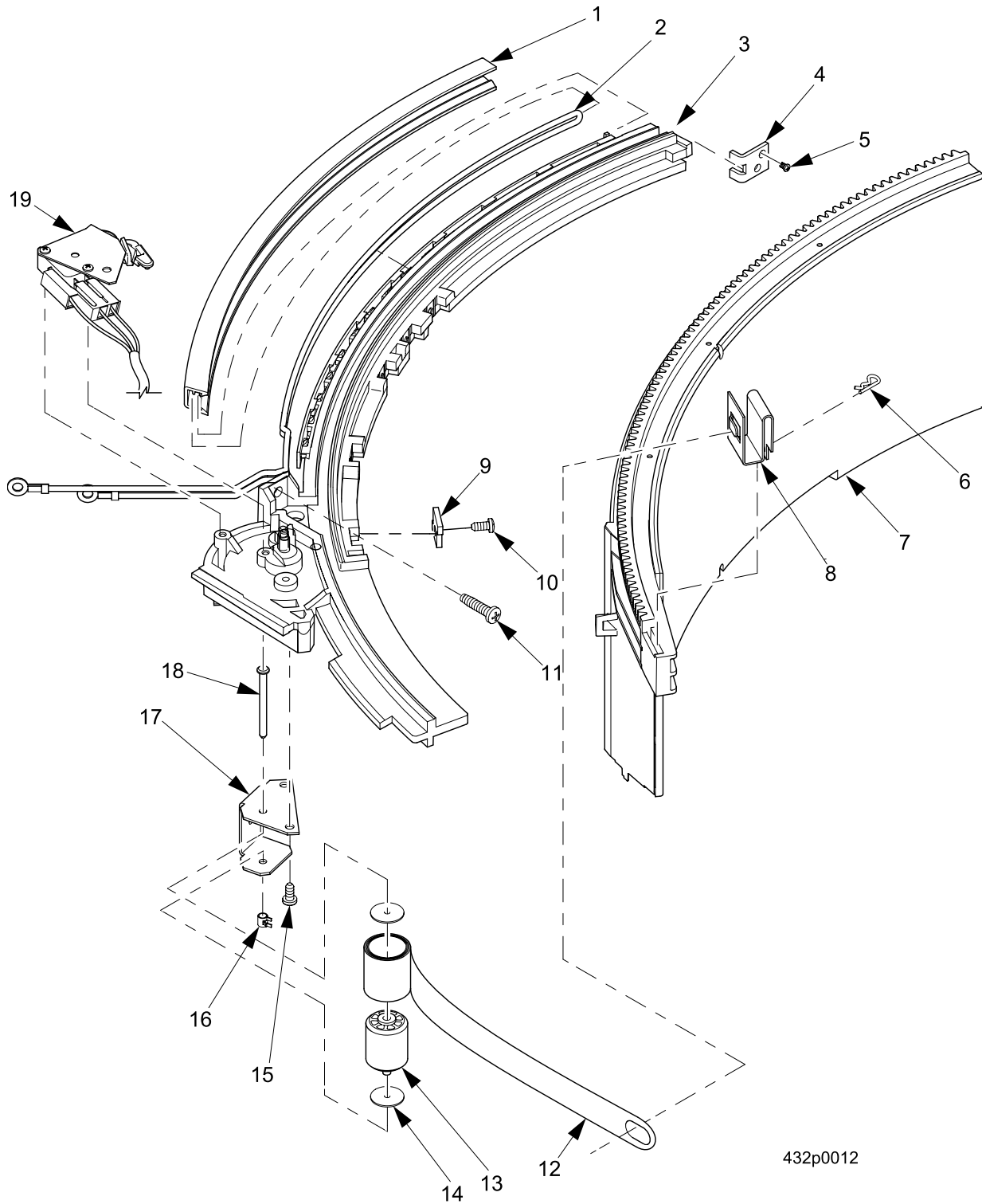


432p0013

FIGURE 7: MANUAL VEND GUIDE ASSEMBLY-TOP

TABLE 7: MANUAL VEND GUIDE ASSEMBLY-TOP

| INDEX | PART NUMBER | DESCRIPTION | QTY |
|-------|-------------|--|-----|
| -- | 4322160 | GUIDE ASSEMBLY - VEND - TOP - MANUAL | 1 |
| -- | 4322158 | GUIDE & HEATER ASSEMBLY - VEND (ITEMS 1-2) | 1 |
| 1 | 4326000 | WIRE & TERMINAL ASSEMBLY - HEATER DOOR - 24 VAC | 1 |
| 2 | 4322051 | GUIDE - DOOR - VEND | 1 |
| 3 | 4322136 | RETAINER - GUIDE | 1 |
| 4 | 1472132 | SCREW - #6-32 X .25 PHS T/C | 2 |
| 5 | 4322214 | PIN - HITCH - .047 WIRE | 1 |
| 6 | 4322133 | WELD ASSEMBLY - VEND DOOR | 1 |
| 7 | 4322138 | HOLDER - SPRING - RETURN - MANUAL | 1 |
| 8 | 1572242 | SCREW - #8-18 X.75 PLASTITE HHS | 2 |
| -- | | SPRING & ROLLER ASSEMBLY-DOOR-RET (ITEMS 9-11,13-15) | |
| 9 | 4322235 | SPRING - DOOR | 1 |
| 10 | 4322013 | ROLLER - SUPPORT - DOOR | 1 |
| 11 | 4363031 | WASHER - VEND DOOR SPRING ASSEMBLY | 2 |
| 12 | 4321168 | SCREW - #6-19 X .31 PHIL.PHS.T/C | 2 |
| 13 | 2366055 | SPEED CLIP - COMPRESSION RG | 1 |
| 14 | 4322196 | BRACKET - ROLLER - SPRING RETURN | 1 |
| 15 | 4322198 | PIN - ROLLER | 1 |

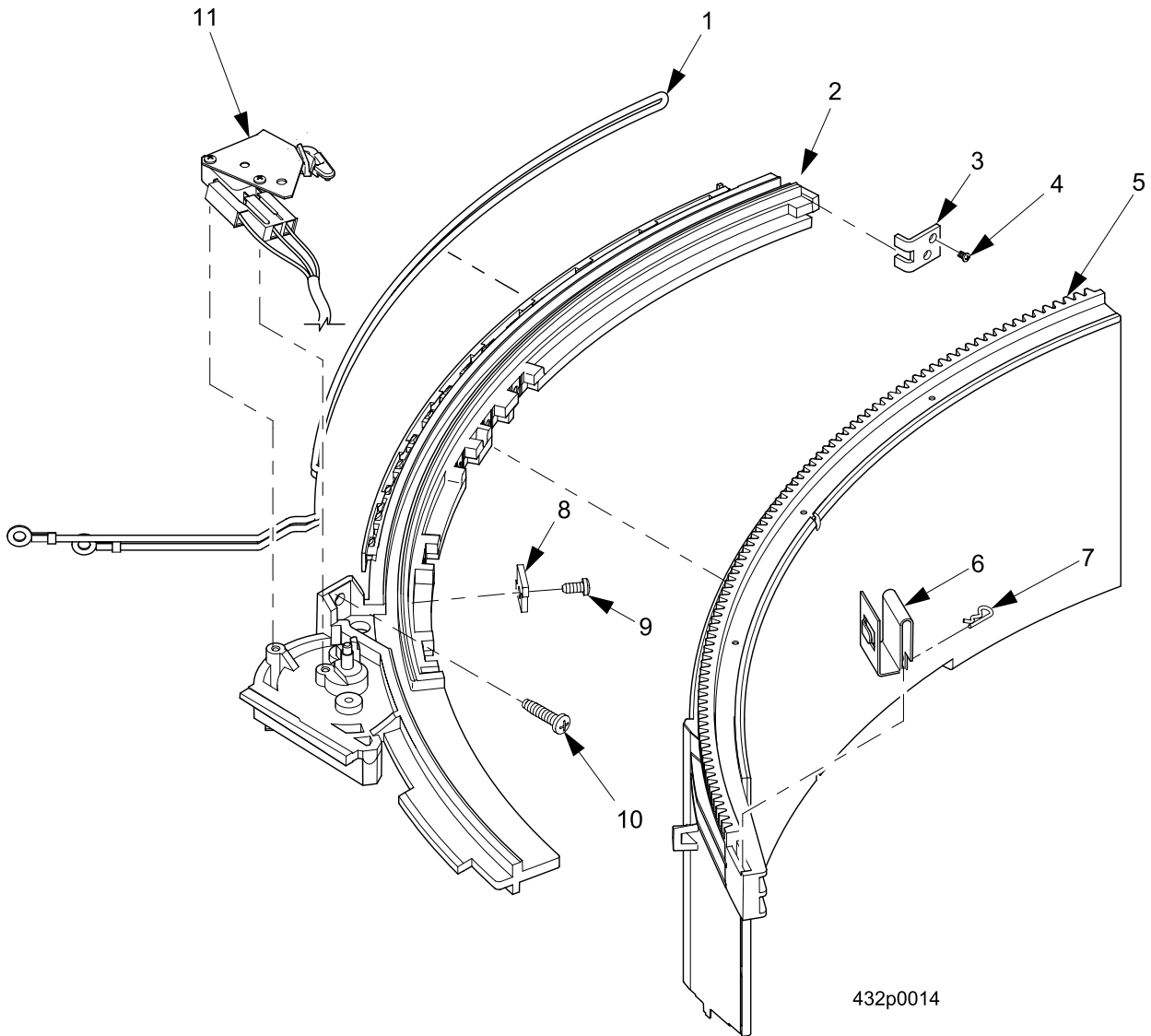


432p0012

FIGURE 8: MANUAL VEND GUIDE ASSEMBLY-MIDDLE

TABLE 8: MANUAL VEND GUIDE ASSEMBLY-MIDDLE

| INDEX | PART NUMBER | DESCRIPTION | QTY |
|-------|-------------|---|-----|
| -- | 4322162 | GUIDE ASSEMBLY - VEND - MID - MANUAL | 8 |
| 1 | 4322100 | COVER - GUIDE - VEND | 1 |
| -- | 4322158 | GUIDE & HEATER ASSEMBLY - VEND (ITEMS 2-3) | -- |
| 2 | 4326000 | WIRE & TERMINAL ASSEMBLY - HEATER DOOR - 24VAC | 1 |
| 3 | 4322051 | GUIDE - DOOR - VEND | 1 |
| 4 | 4322136 | RETAINER - GUIDE | 1 |
| 5 | 1472132 | SCREW - #6-32 X .25 PHS T/C | 2 |
| 6 | 4322214 | PIN - HITCH - .047 WIRE | 1 |
| 7 | 4322133 | WELD ASSEMBLY - VEND DOOR | 1 |
| 8 | 4322138 | HOLDER - SPRING - RETURN - MANUAL | 1 |
| 9 | 4322226 | STOP - VEND - DOOR | 1 |
| 10 | 4322193 | SCREW - #6-19 X .31 TAMPER PROOF TORX P.H. | 1 |
| 11 | 1572242 | SCREW - #8-18 X.75 PLASTITE HHS | 2 |
| -- | 4322197 | SPRING & ROLLER ASSEMBLY - DOOR - RETURN (ITEMS 12-14, 16-18) | -- |
| 12 | 4322235 | SPRING - DOOR | 1 |
| 13 | 4322013 | ROLLER - SUPPORT - DOOR | 1 |
| 14 | 4363031 | WASHER - VEND DOOR SPRING ASSEMBLY | 2 |
| 15 | 4321168 | SCREW - #6-19 X .31 PHIL.PHS.T/C | 2 |
| 16 | 2366055 | SPEED CLIP - COMPRESSION RG | 1 |
| 17 | 4322196 | BRACKET - ROLLER - SPRING RETURN | 1 |
| 18 | 4322198 | PIN - ROLLER | 1 |
| 19 | -- | SEE FIGURE 12 DOOR SWITCH ASSEMBLY | 1 |



432p0014

FIGURE 9: VEND GUIDE ASSEMBLY-BOTTOM (MANUAL AND AUTO)

TABLE 9: VEND GUIDE ASSEMBLY-BOTTOM (MANUAL AND AUTO)

| INDEX | PART NUMBER | DESCRIPTION | QTY |
|-------|-------------|--|-----|
| -- | 4322164 | GUIDE ASSEMBLY - VEND - BOTTOM | -- |
| -- | 4322158 | GUIDE & HEATER ASSEMBLY - VEND (ITEMS 1-2) | 1 |
| 1 | 4326000 | WIRE & TERMINAL ASSEMBLY - HEATER DR - 24 VAC | 1 |
| 2 | 4322051 | GUIDE - DOOR - VEND | 1 |
| 3 | 4322136 | RETAINER - GUIDE | 1 |
| 4 | 1472132 | SCREW - #6-32 X .25 PHS T/C | 2 |
| 5 | 4322133 | WELD ASSEMBLY - VEND DOOR | 1 |
| 6 | 4322138 | HOLDER - SPRING - RETURN - MANUAL (MANUAL DOOR ONLY) | 1 |
| 7 | 4322214 | PIN - HITCH - .047 WIRE (MANUAL DOOR ONLY) | 1 |
| 8 | 4322226 | STOP - VEND - DOOR | 1 |
| 9 | 4322193 | SCREW - #6-19 X .31 TAMPER PROOF TORX P.H. | 1 |
| 10 | 1572242 | SCREW - #8-18 X.75 PLASTITE HHS | 2 |
| 11 | -- | SEE FIGURE 12 DOOR SWITCH ASSEMBLY | 1 |

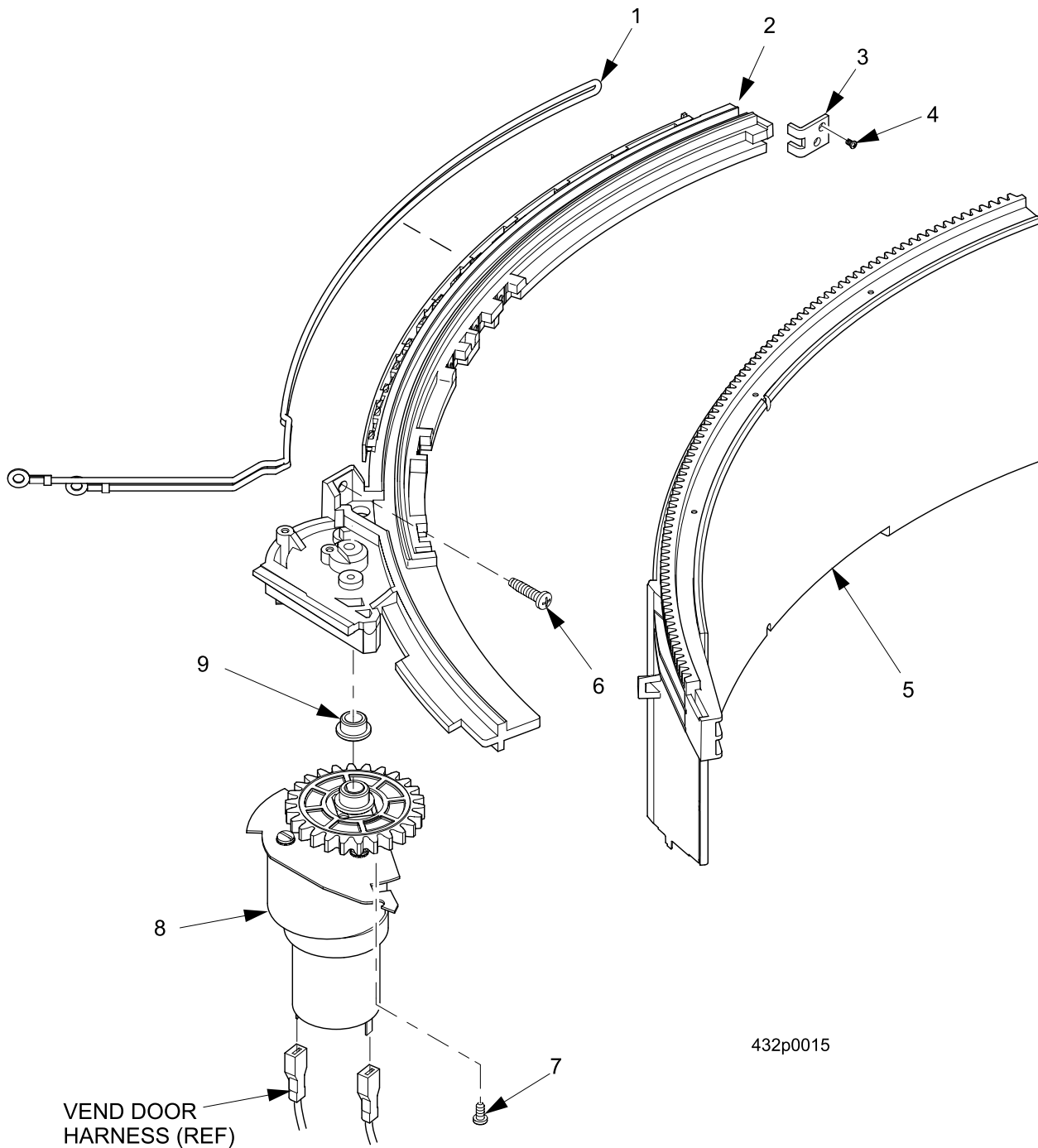
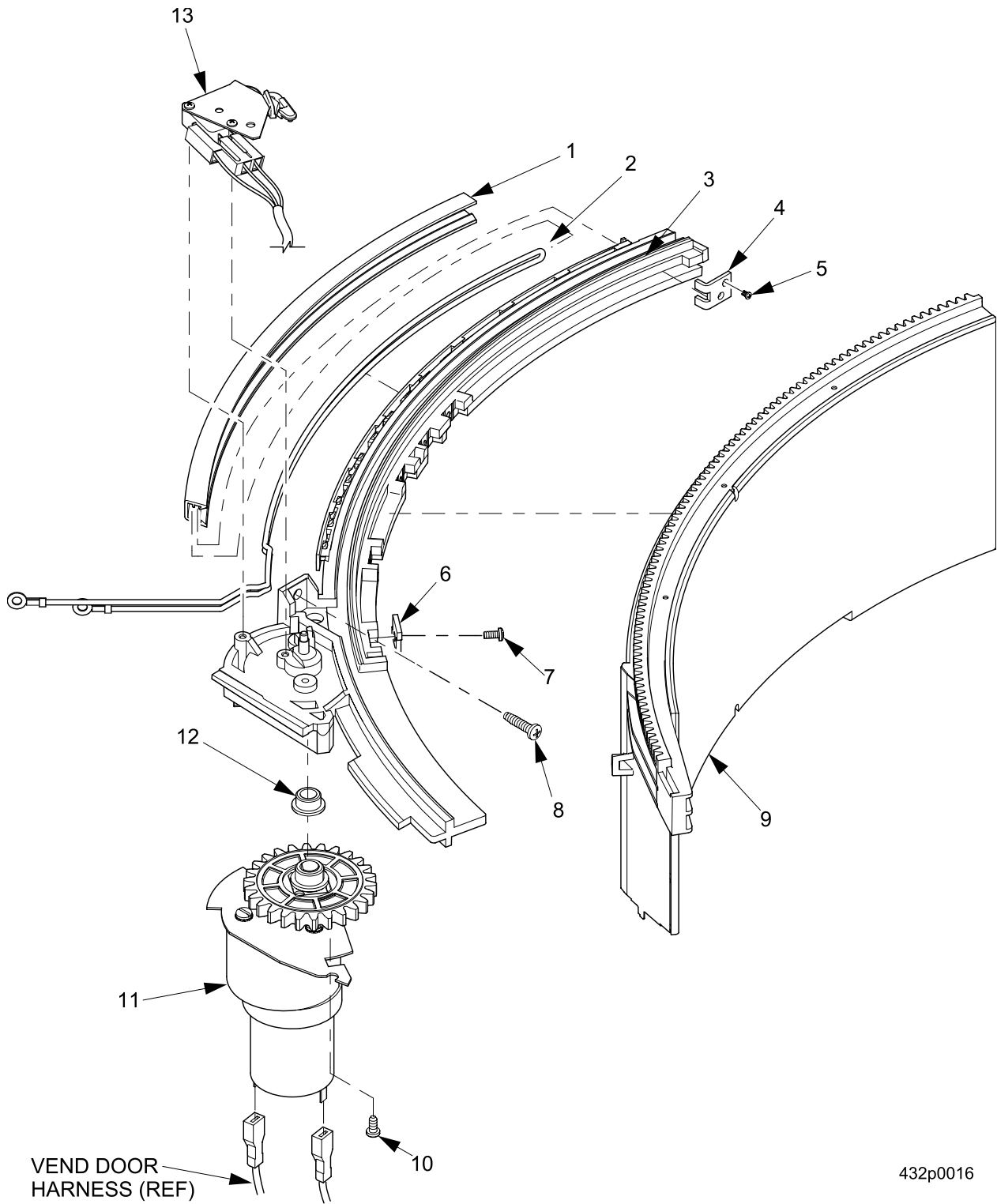


FIGURE 10: POWER VEND GUIDE ASSEMBLY-TOP

TABLE 10: POWER VEND GUIDE ASSEMBLY-TOP

| INDEX | PART NUMBER | DESCRIPTION | QTY |
|-------|-------------|---|-----|
| -- | 4322161 | GUIDE ASSEMBLY - VEND - TOP - POWER | -- |
| -- | 4322158 | GUIDE & HEATER ASSEMBLY - VEND (ITEMS 1-2) | 1 |
| 1 | 4326000 | WIRE & TERMINAL ASSEMBLY - HEATER DOOR - 24 VAC | 1 |
| 2 | 4322051 | GUIDE - DOOR - VEND | 1 |
| 3 | 4322136 | RETAINER - GUIDE | 1 |
| 4 | 1472132 | SCREW - #6-32 X .25 PHS T/C | 2 |
| 5 | 4322133 | WELD ASSEMBLY - VEND DOOR | 1 |
| 6 | 1572242 | SCREW - #8-18 X.75 PLASTITE HHS | 1 |
| 7 | 4321168 | SCREW - #6-19 X .31 PHIL.PHS.T/ | 1 |
| 8 | 4322148 | MOTOR BRACKET & GEAR ASSEMBLY - VEND | 1 |
| 9 | 4322116 | BEARING - SHOULDER - BRONZE | 1 |



432p0016

FIGURE 11: POWER VEND GUIDE ASSEMBLY-MIDDLE

TABLE 11: POWER VEND GUIDE ASSEMBLY-MIDDLE

| INDEX | PART NUMBER | DESCRIPTION | QTY |
|-------|-------------|---|-----|
| -- | 4322163 | GUIDE ASSEMBLY - VEND - MID - POWER | -- |
| 1 | 4322100 | COVER - GUIDE - VEND | 1 |
| -- | 4322158 | GUIDE & HEATER ASSEMBLY - VEND (ITEMS 2-3) | 1 |
| 2 | 4326000 | WIRE & TERMINAL ASSEMBLY - HEATER DOOR - 24 VAC | 1 |
| 3 | 4322051 | GUIDE - DOOR - VEND | 1 |
| 4 | 4322136 | RETAINER - GUIDE | 1 |
| 5 | 1472132 | SCREW - #6-32 X .25 PHS T/C | 2 |
| 6 | 4322226 | STOP - VEND - DOOR | 1 |
| 7 | 4322193 | SCREW - #6-19 X .31 TAMPER PROOF TORX P.H. | 1 |
| 8 | 1572242 | SCREW - #8-18 X.75 PLASTITE HHS | 1 |
| 9 | 4322133 | WELD ASSEMBLY - VEND DOOR | 1 |
| 10 | 4321168 | SCREW - #6-19 X .31 PHIL.PHS.T/C | 1 |
| 11 | 4322148 | MOTOR BRACKET & GEAR ASSEMBLY - VEND | 1 |
| 12 | 4322116 | BEARING - SHOULDER - BRONZE | 1 |
| 13 | -- | SEE FIGURE 12 DOOR SWITCH ASSEMBLY | 1 |

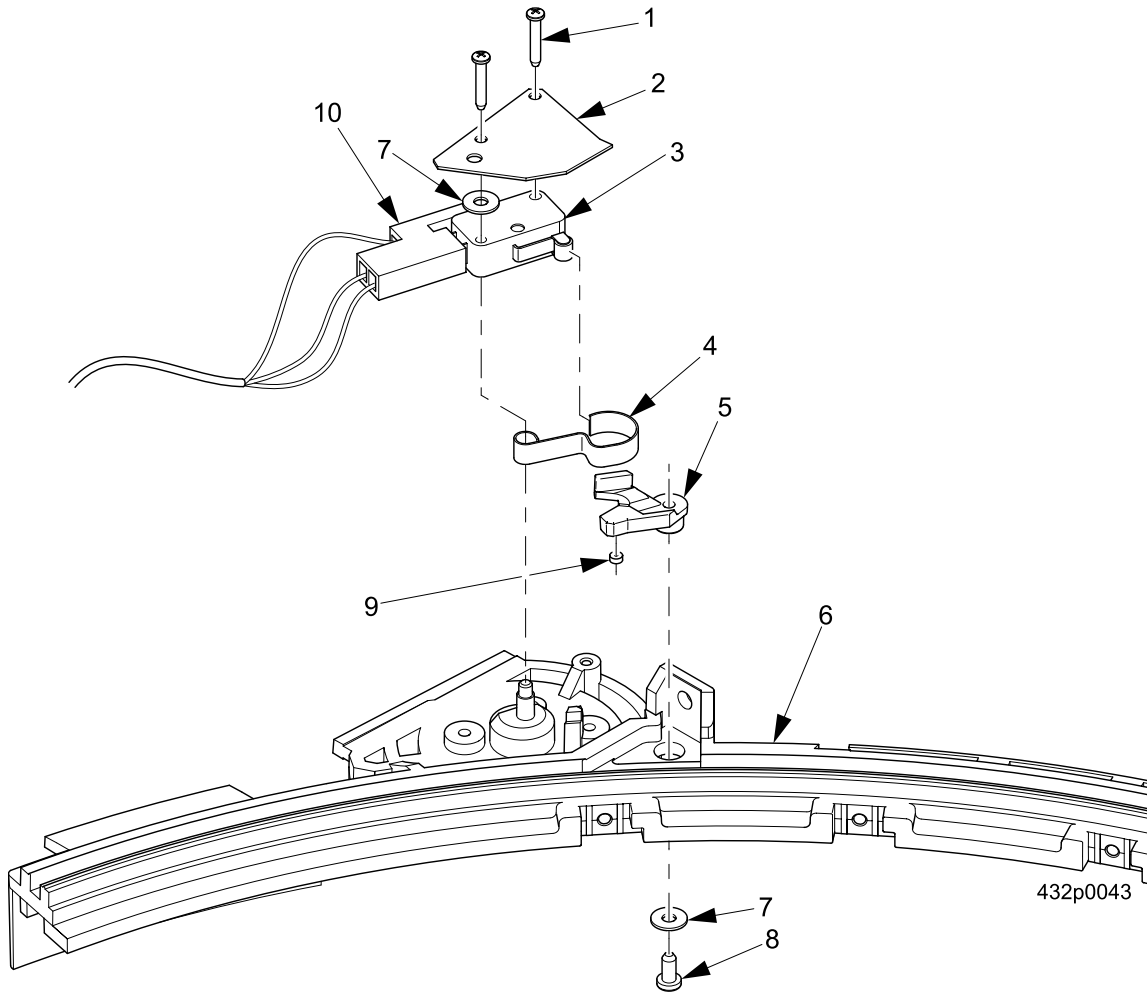
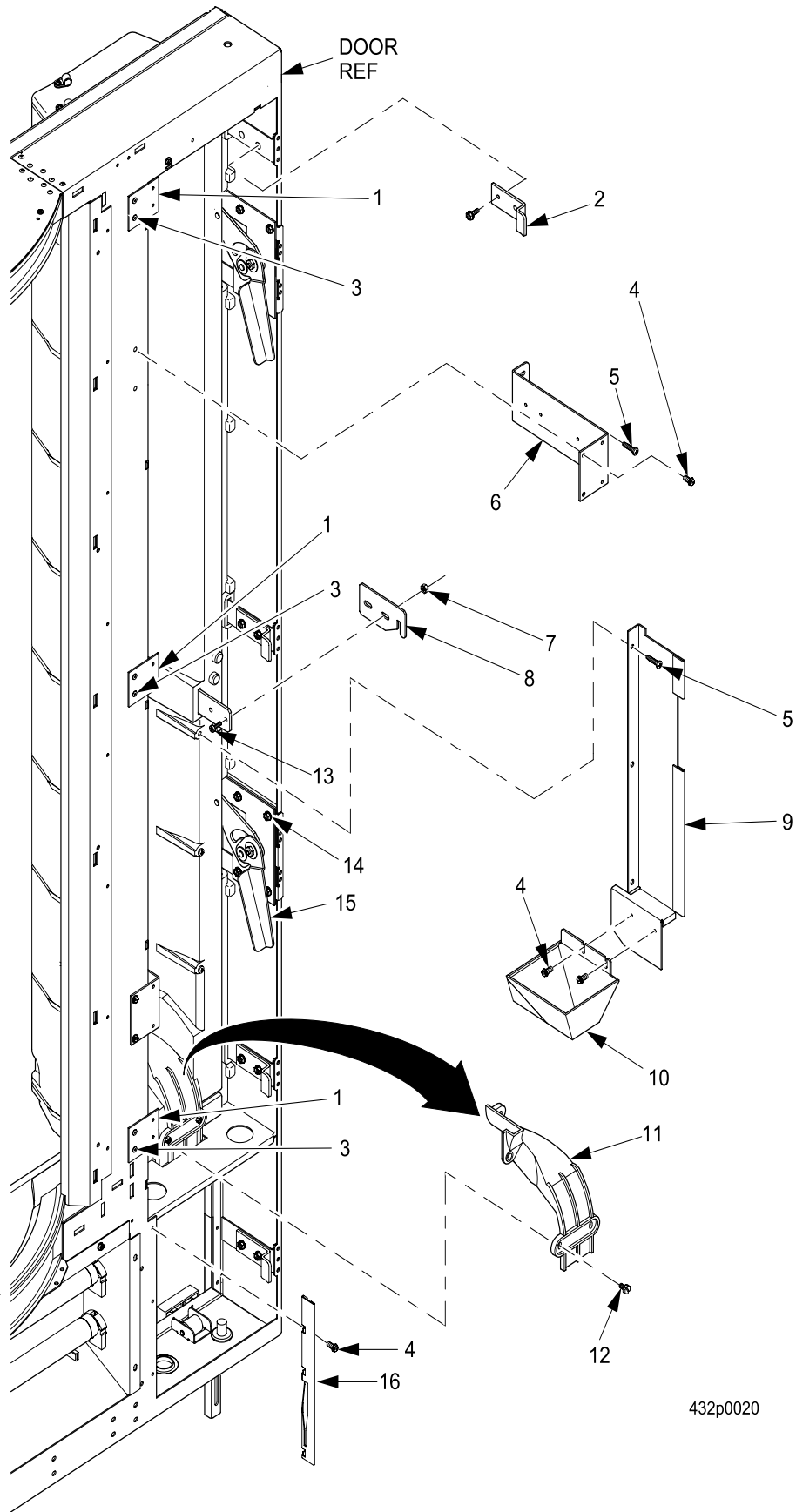


FIGURE 12: DOOR SWITCH ASSEMBLY

TABLE 12: DOOR SWITCH ASSEMBLY

| INDEX | PART NUMBER | DESCRIPTION | QTY |
|-------|-------------|--------------------------------|-----|
| 1 | 4322141 | SCREW-#3-24 X .62 PLASTITE-PN- | 2 |
| 2 | 4322155 | COVER-MICRO SWITCH | 1 |
| 3 | 9984634 | SWITCH-ROLLER LEVER | 1 |
| 4 | 4322130 | SPRING-SWITCH-DOOR-VEND | 1 |
| 5 | 4322225 | CAM-MICRO SWITCH | 1 |
| 6 | 4322158 | GUIDE & HEATER ASSY-VEND | 1 |
| 7 | 9900065 | WASHER STEEL 3/8 X .147 X .031 | 2 |
| 8 | 1472132 | SCREW-#6-32 X .25 PHS T/C | 1 |
| 9 | 4322224 | ROLLER-CAM-MICRO SWITCH | 1 |
| 10 | 4329033 | HARNESS-VEND DOOR | 1 |

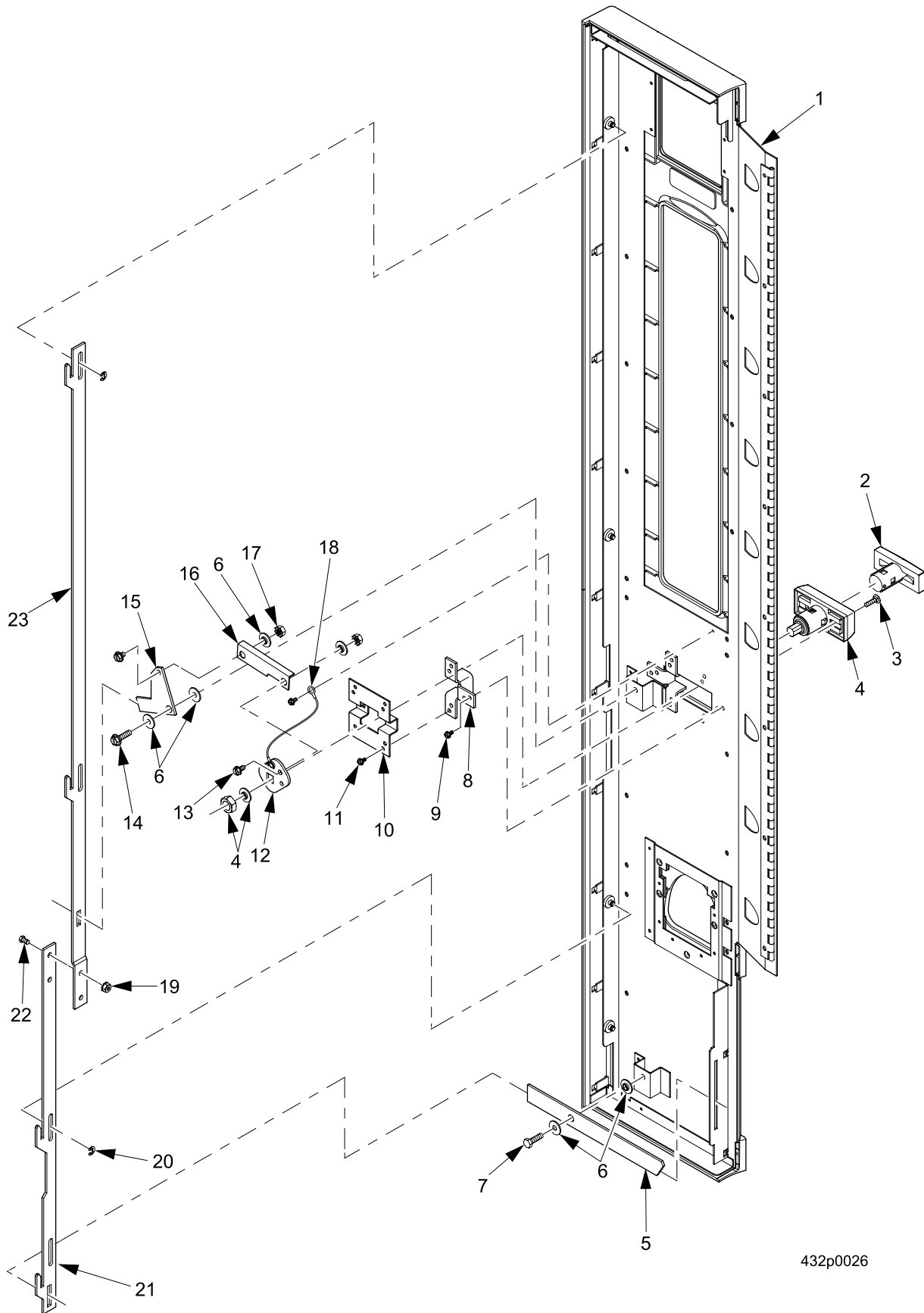


432p0020

FIGURE 13: INTERIOR DOOR - MISCELLANEOUS PARTS

TABLE 13: INTERIOR DOOR - MISCELLANEOUS PARTS

| INDEX | PART NUMBER | DESCRIPTION | QTY |
|-------|-------------|--------------------------------|-----|
| 1 | 4327019 | TAP PLATE - LATCH ARM | 3 |
| 2 | 4322056 | LATCH - DOOR - MONETARY | 4 |
| 3 | 3502078 | RIVET - POP - .125 DIA X .265 | 6 |
| 4 | 1451097 | SCREW - #8-32X.31 HEX HD.TF-BL | 37 |
| 5 | 1572242 | SCREW- #8-18 X ,75 PLASTITE HH | 3 |
| 6 | 4322035 | BRACKET - MOUNT - SLIDE | 2 |
| 7 | 9900081 | NUT #8-32 KEPS ZINC PLATE | 2 |
| 8 | 4325131 | ARM LOCK-MONETARY | 1 |
| 9 | 4325125 | SIDE-FILLER-MONETARY | 1 |
| 10 | 4325068 | CHUTE-PAYOUT | 1 |
| 11 | 4322128 | CHUTE- MONEY BOX | 1 |
| 12 | 1437204 | SCREW - #8-10X.38 HEX HD.TF | 3 |
| 13 | 1572450 | SCREW #8-32 X 9/16 P/H PHIL. | 2 |
| 14 | 1141046 | SCREW - #10-32X3/8 ACORN HEX W | 14 |
| 15 | 4302039 | LATCH/PLATE ASSEMBLY | 2 |
| 16 | 4322233 | ANGLE-BACKUP, POP | 1 |



432p0026

FIGURE 14: LOCK BAR ASSEMBLY

TABLE 14: LOCK BAR ASSEMBLY

| INDEX | PART NUMBER | DESCRIPTION | QTY |
|-------|-------------|--------------------------------|-----|
| 1 | 4325013 | WELD ASSEMBLY - ACCESS PANEL | 1 |
| 2 | 1572397 | LEVER-LOCK HANDLE | 1 |
| 3 | 4307024 | CARRIAGE BOLT - #10-24 X 1.0 | 2 |
| 4 | 4322113 | LOCK ASSEMBLY - "T" | 1 |
| 5 | 4325144 | BAR - LOCK, LOWER | 1 |
| 6 | 6233028 | BUSHING | 6 |
| 7 | 1141054 | SCREW - 1/4-20 X 3/4 HEX HD | 1 |
| 8 | 4325121 | REINFORCEMENT - LOCK - SIDE | 2 |
| 9 | 1451097 | SCREW - #8-32X.31 HEX HD.TF- | 4 |
| 10 | 4325122 | MOUNT - LOCK - ACCESS PANEL | 1 |
| 11 | 4741050 | SCREW - #8-32 X .50 HX.HD.-T | 8 |
| 12 | 4325151 | DRIVER - ACTUATOR LOCK GND | 1 |
| 13 | 6233021 | SCREW - 1/4 X 20 X .5 HEX HD | 4 |
| 14 | 1141054 | SCREW - 1/4-20 X 3/4 HEX HD | 1 |
| 15 | 4325118 | DRIVEN - ACTUATOR - LOCK | 1 |
| 16 | 4325117 | LINK - ACTUATOR - LOCK | 1 |
| 17 | 1211104 | 1/4 LOCKWASHER HELICAL SPRING | 2 |
| 18 | 9989883 | WIRE - GROUND - 5" | 1 |
| 19 | 1211105 | 1/4-20 KEPS NUT EXT LW ZP | 4 |
| 20 | 9900425 | RETAINING RING REINF E TYP.250 | 7 |
| 21 | 4325146 | LOCKBAR - LOWER | 1 |
| 22 | 6262021 | SCREW - 1/4-20 T/TITE X .50HHS | 1 |
| 23 | 4325145 | LOCK BAR - UPPER | 1 |

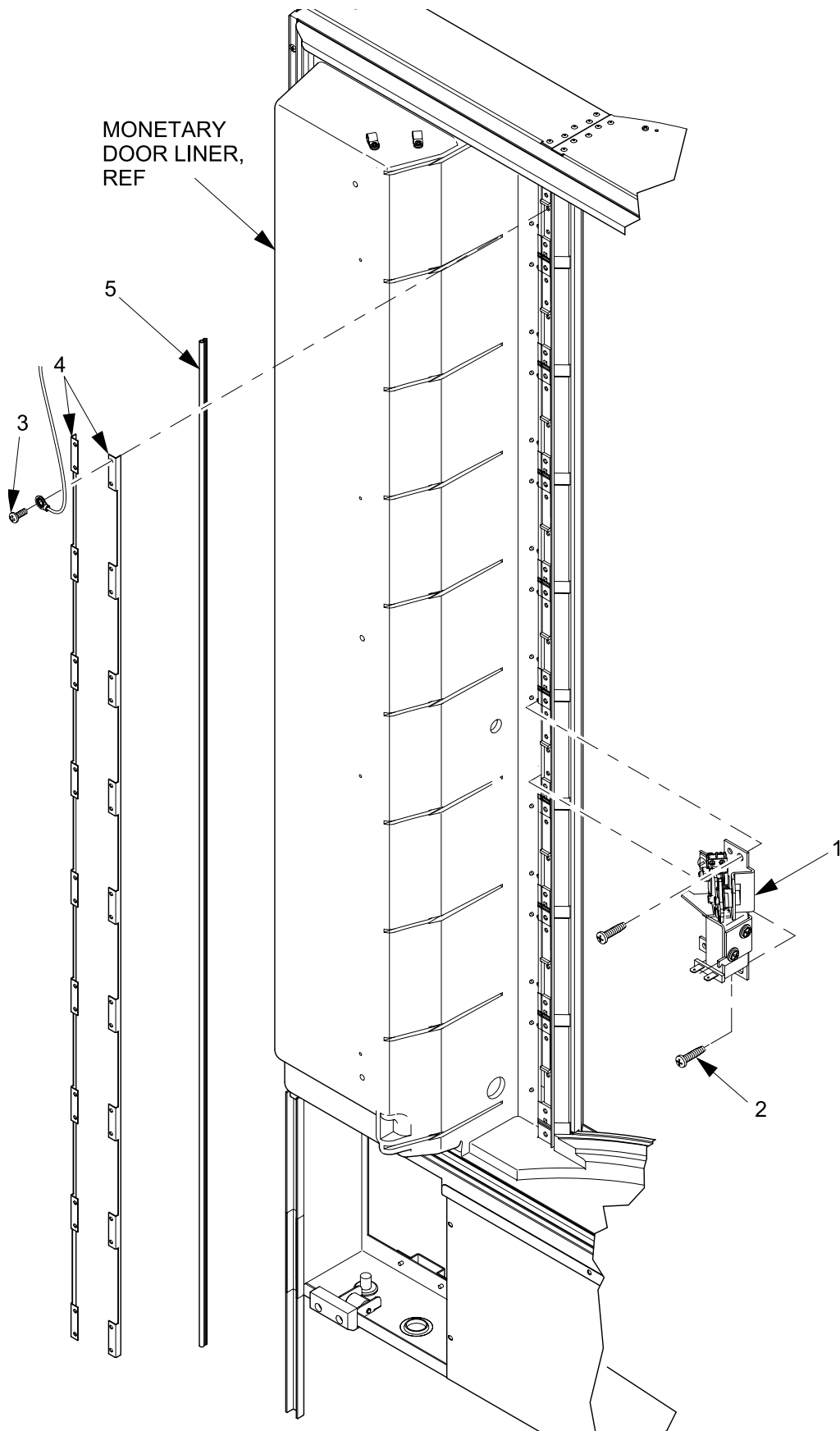


FIGURE 15: BUSS BAR AND VEND DOOR LOCK

TABLE 15: BUSS BAR AND VEND DOOR LOCK

| INDEX | PART NUMBER | DESCRIPTION | QTY |
|-------|-------------|--------------------------------|-----|
| 1 | 4322147 | LOCK ASSY-DOOR VEND-SOLENOID | 9 |
| 2 | 1572242 | SCREW - #8-18 X.75 PLASTITE | 18 |
| 3 | 4552032 | SCREW-#8-1/2 PHILLIPS-PH.-S.S. | 22 |
| 4 | 4326009 | BUSS BAR | 2 |
| 5 | 4322090 | SEAL - TUBE & DART | 1 |

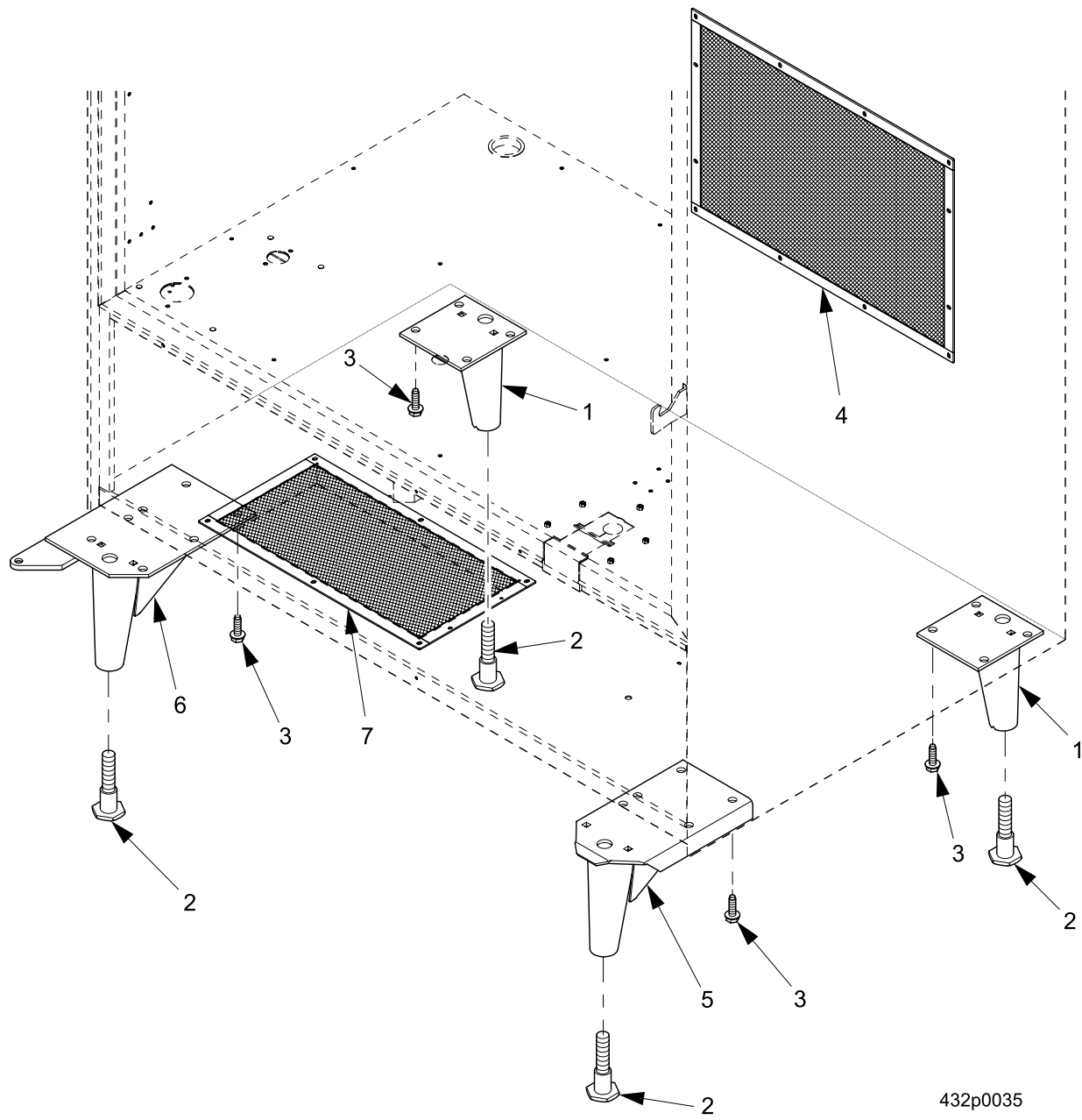


FIGURE 16: LEG ASSEMBLIES & AIR INLET/OUTLET SCREENS

TABLE 16: LEG ASSEMBLIES & AIR INLET/OUTLET SCREENS

| INDEX | PART NUMBER | DESCRIPTION | QTY |
|-------|-------------|--|-----|
| -- | 1471237 | LEG & LEVELER ASSEMBLY - CABINET (ITEMS 1-2) | -- |
| 1 | 4311068 | LEG ASSEMBLY - CABINET - WELD | 2 |
| 2 | 1471098 | LEVELER - CABINET | 4 |
| 3 | 9900218 | SCREW - #5/16 X 1 W/LOCKING RING | 16 |
| -- | 4301039 | LEG & LEVELER ASSEMBLY - RIGHT FRONT (ITEMS 2 AND 5) | -- |
| 4 | 4321156 | SCREEN - OUTLET AIR | 1 |
| 5 | 4301045 | LEG ASSEMBLY - RIGHT FRONT | 1 |
| -- | 4321084 | LEG, HINGE & LEVELER ASSEMBLY (ITEMS 2 AND 6) | -- |
| 6 | 4321085 | PLATE ASSEMBLY - LEG & HINGE | 1 |
| 7 | 4321150 | SCREEN - INLET AIR | 1 |

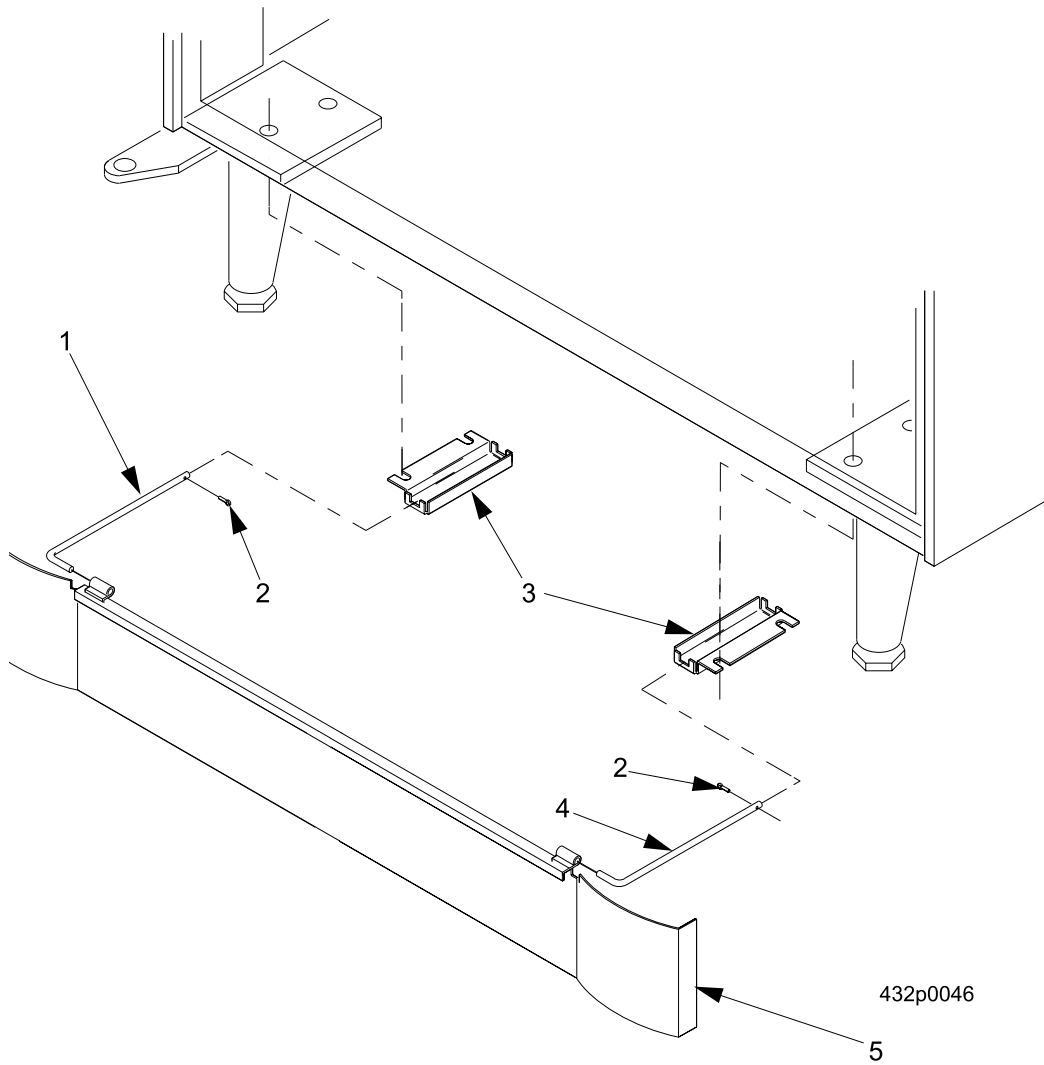
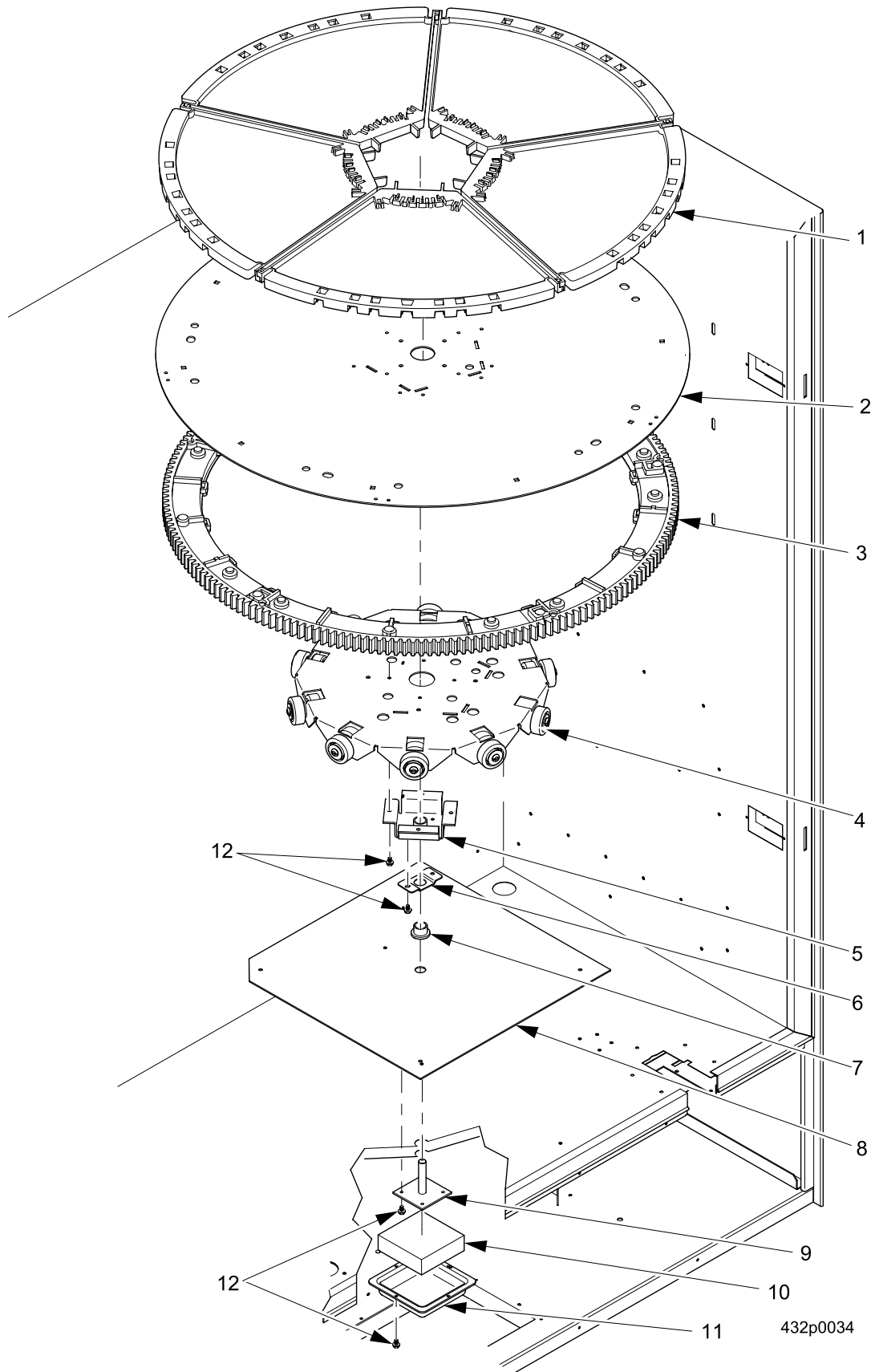


FIGURE 17: BASE PLATE ACCESSORY

TABLE 17: BASE PLATE ACCESSORY

| INDEX | PART NUMBER | DESCRIPTION | QTY |
|-------|-------------|---|-----|
| -- | 4311190 | BASE PLATE AND ACCESSORY ASSEMBLY - 38" - MILLENNIA | -- |
| 1 | 4551153 | SLIDE - BASE PLATE - LEFT HAND | 1 |
| 2 | 9900098 | COTTER PIN 3/32 X 3/4 LONG | 2 |
| 3 | 4311071 | BRACKET - BASE PLATE | 2 |
| 4 | 4551154 | SLIDE - BASE PLATE - RIGHT HAND | 1 |
| 5 | 1571161 | BASE PLATE ASSEMBLY - 38" MILLENNIA | 1 |

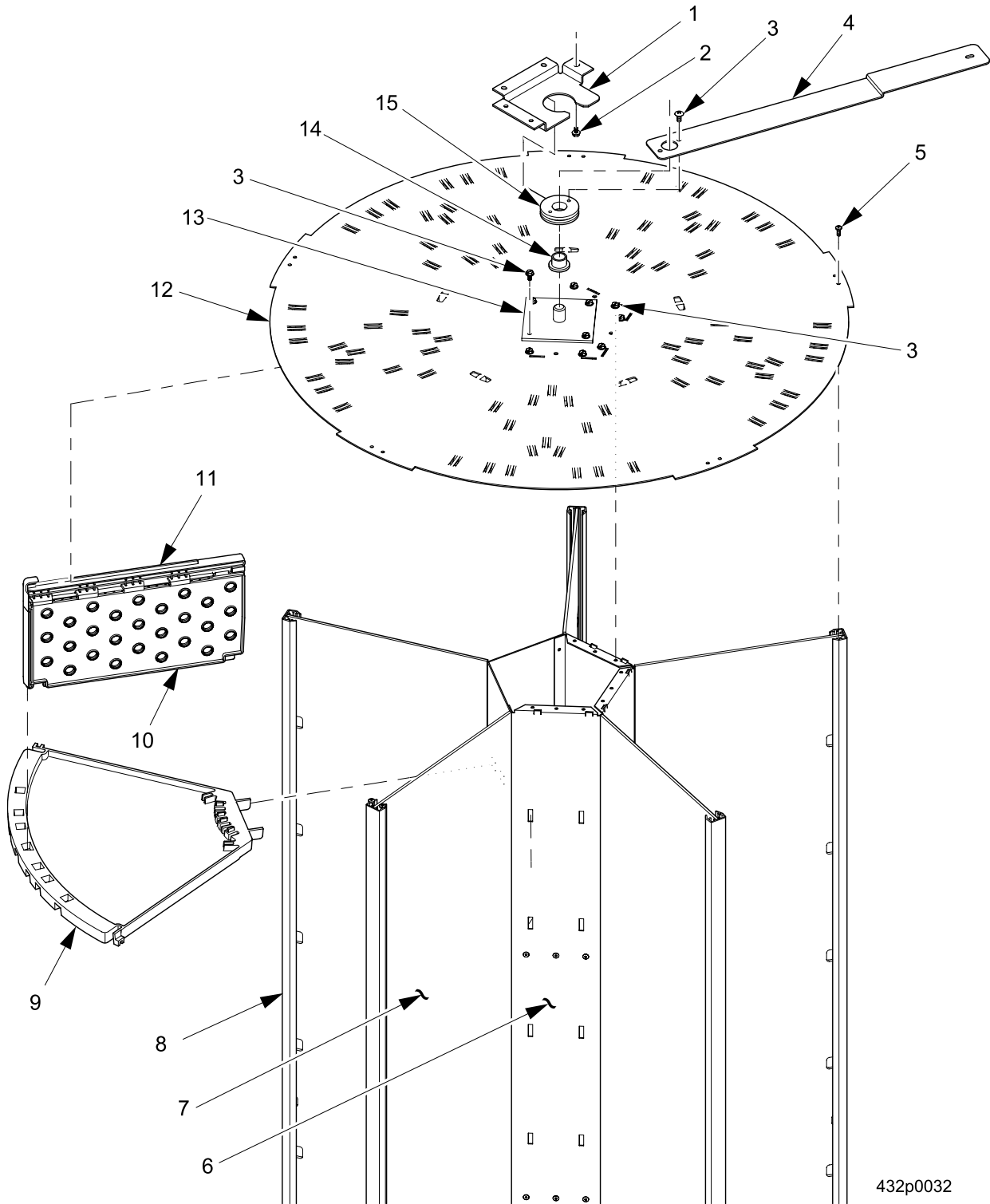


432p0034

FIGURE 18: TURRET

TABLE 18: TURRET

| INDEX | PART NUMBER | DESCRIPTION | QTY |
|-------|-------------|------------------------------------|-----|
| -- | 4327047 | TURRET - STANDARD - BLACK | -- |
| 1 | 4327041 | SHELF - PRODUCT | 45 |
| 2 | 4327059 | BASE ASSEMBLY - TURRET - BOTTOM | 1 |
| 3 | 4327001 | GEAR SECTION - 5 SEGMENT | 5 |
| 4 | 4327061 | PLATE ASSEMBLY - ROLLER SUPPORT | 1 |
| 5 | 4327032 | PLATE & BUSHING ASSEMBLY - SUPPORT | 1 |
| 6 | 4327024 | RETAINER - BUSHING | 1 |
| 7 | 4311225 | BEARING - FLANGED - OILITE FB810-4 | 1 |
| 8 | 4327010 | PLATE - ROLLER BEARING | 1 |
| 9 | 4327023 | PLATE ASSEMBLY - SHAFT & MOUNTING | 1 |
| 10 | 4327025 | INSULATION - FOAM | 1 |
| 11 | 4327026 | COVER - INSULATION | 1 |
| 12 | 1451097 | SCREW - #8-32 X .31 HEX HD.TF-BLK. | 24 |

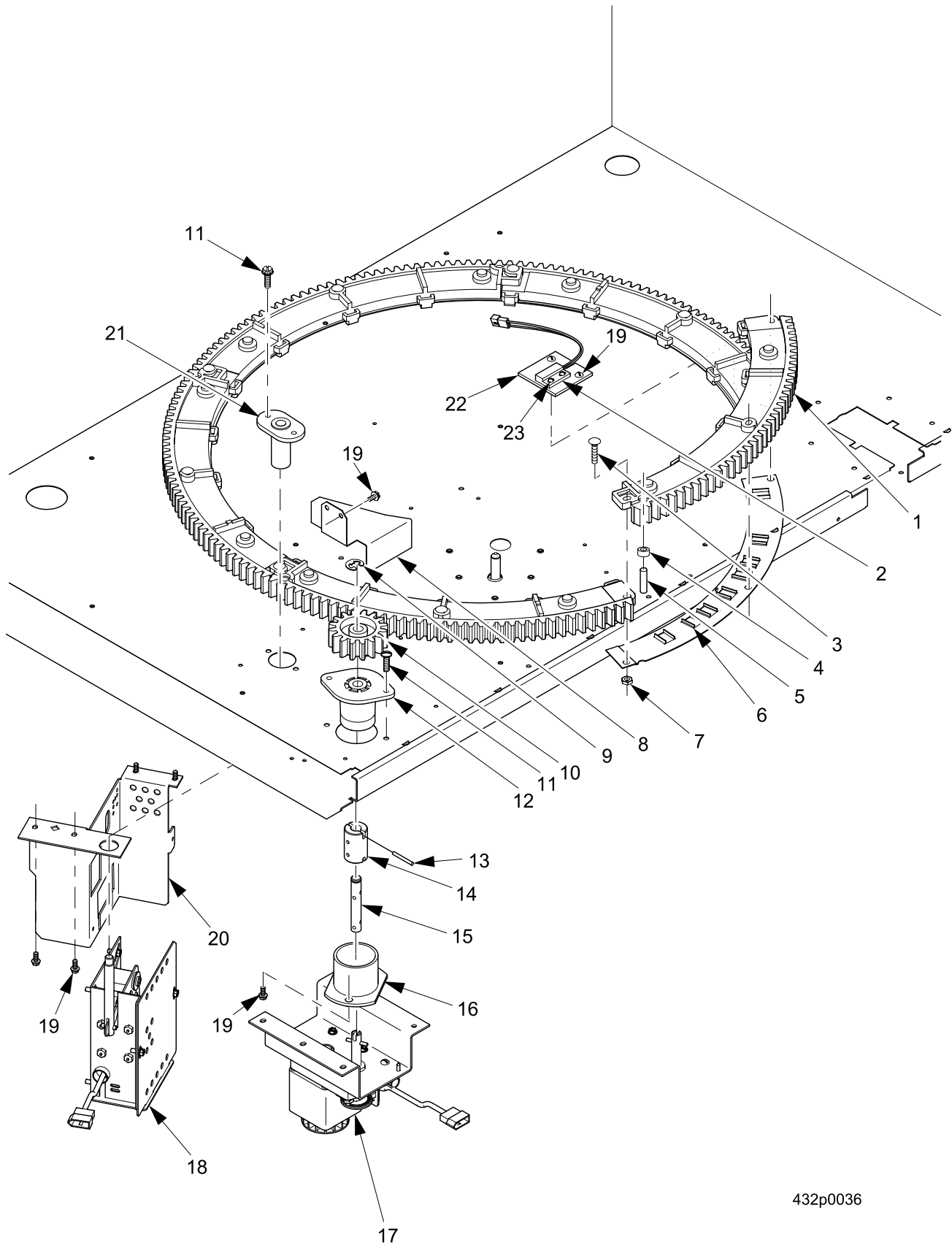


432p0032

FIGURE 19: TURRET - TOP PARTS

TABLE 19: TURRET - TOP PARTS

| INDEX | PART NUMBER | DESCRIPTION | QTY |
|-------|-------------|--|-----|
| 1 | 4327039 | PLATE - TURRET LATCH - TOP | 1 |
| 2 | 1451097 | SCREW - #8-32X.31 HEX HD.TF-BL | 6 |
| 3 | 1451097 | SCREW - #8-32X.31 HEX HD.TF-BL | 10 |
| 4 | 4327044 | ARM - TURRET LATCH - TOP | 1 |
| 5 | 9900092 | SCREW - #6-32 X 3/8 PHIL.PH. | 20 |
| 6 | 4327048 | COLUMN ASSEMBLY - CENTER | 1 |
| 7 | 4327031 | WALL - SHELF (CLEAR) | 5 |
| 8 | 4327007 | RAIL - TURRET | 5 |
| 9 | 4327041 | SHELF - PRODUCT | 45 |
| 10 | 4327042 | DIVIDER - SHELF | 90 |
| 11 | 4327043 | RETAINER - SHELF | 90 |
| 12 | 4327002 | TOP PLATE - TURRET | 1 |
| 13 | 4307032 | PIN & PLATE ASSEMBLY | 1 |
| -- | 4327045 | BUSHING & LOCK NUT ASSEMBLY (NEXT 2 ITEMS) | -- |
| 14 | 4311225 | BEARING - FLANGED - OILITE FB810 | 1 |
| 15 | 4327040 | LOCK NUT - TURRET LATCH - TOP | 1 |

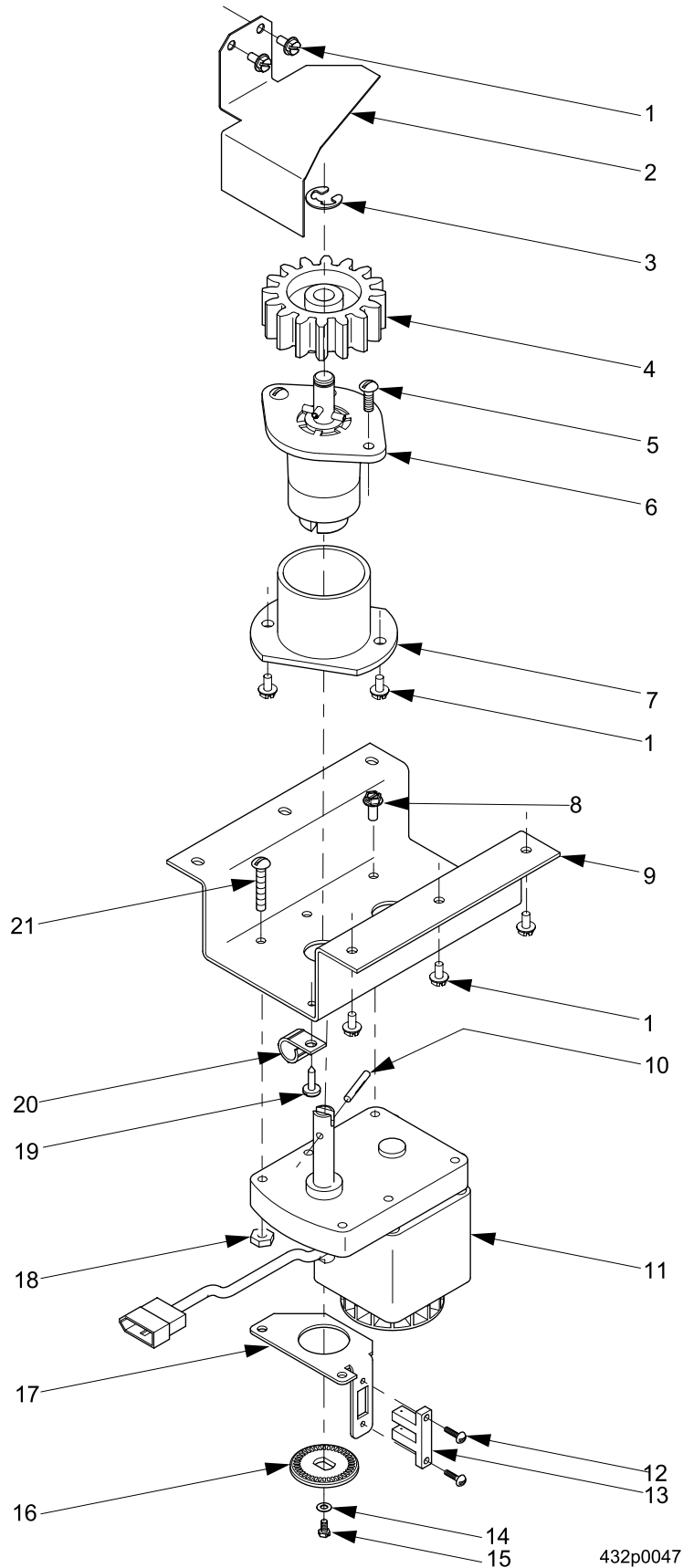


432p0036

FIGURE 20: TURRET - BOTTOM PARTS

TABLE 20: TURRET - BOTTOM PARTS

| INDEX | PART NUMBER | DESCRIPTION | QTY |
|-------|-------------|--|-----|
| 1 | 4327001 | GEAR SECTION - 5 SEGMENT | 5 |
| 2 | 4329022 | SENSOR - PROXIMITY | 1 |
| 3 | 4307024 | CARRIAGE BOLT - #10-24 X 1.00 | 10 |
| 4 | 5277437 | SPACER - NYLON | 1 |
| 5 | 4301353 | MAGNET - MAGNETIZED | 1 |
| 6 | 4327014 | PLATE - STOP PIN - 5 SEGMENT | 5 |
| 7 | 4307029 | NUT - #10-24 SELF-LOCKING | 10 |
| 8 | 4321201 | COVER - TURRET - MOTOR - GEAR | 1 |
| 9 | 9900437 | RETAINING RING REINF E TYP.375 | 1 |
| 10 | 4327034 | GEAR - DRIVE - BLACK | 1 |
| -- | 4321106 | BUSHING & DRIVE SHAFT ASSEMBLY (ITEMS 12 -15) | -- |
| 11 | 4312217 | SCREW #8-32 X .50 PHILLIPS-PN HD | 4 |
| 12 | 4321001 | HOUSING - DRIVE SHAFT - UPPER | 1 |
| 13 | 4301375 | GROOVE - PIN - .125 DIA.X.875 LG. | 4 |
| 14 | 4301394 | COUPLING - DRIVE | 1 |
| 15 | 4301395 | SHAFT - DRIVE | 1 |
| 16 | 4321002 | HOUSING - DRIVE SHAFT - LOWER | 1 |
| 17 | 4321114 | MOTOR DRIVE ASSEMBLY -115V (SEE TABLE 21 FOR DETAILS) | 1 |
| 18 | 4321185 | STOP PIN ASSEMBLY-115V (SEE TABLE 22 FOR DETAILS) | 1 |
| 19 | 1451097 | SCREW-#8-32 X .31 HEX HD. TF-BLK | 10 |
| 20 | 4327052 | BRACKET-STOP PIN ASSY | 1 |
| 21 | 4311237 | BUSHING-STOP PIN | 1 |
| 22 | 4327020 | PLATE-SENSOR | 1 |
| 23 | 1212140 | SCREW-#4-40 X 1/4 RHS | 2 |

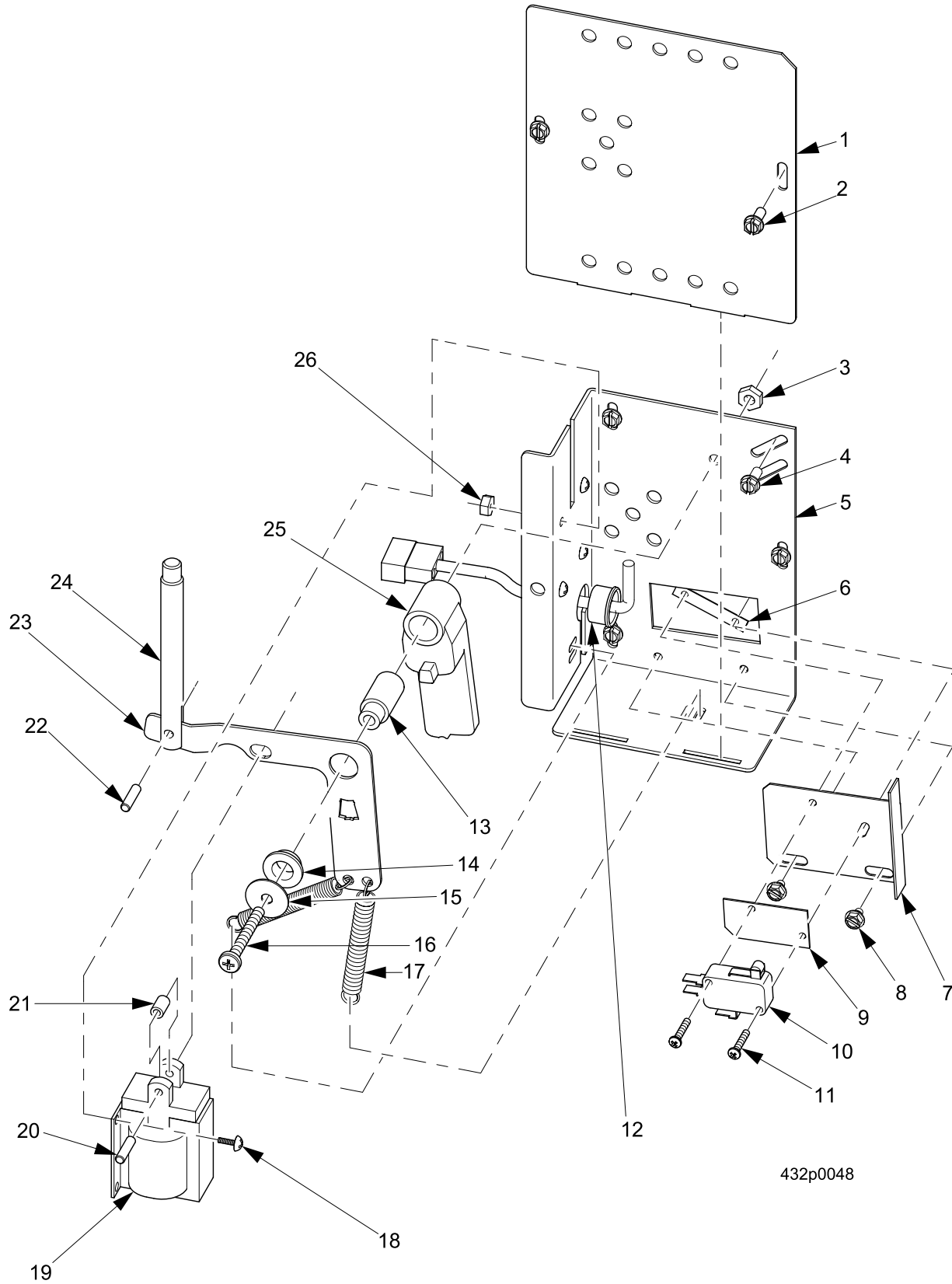


432p0047

FIGURE 21: MOTOR DRIVE ASSEMBLY

TABLE 21: MOTOR DRIVE ASSEMBLY

| INDEX | PART NUMBER | DESCRIPTION | QTY |
|-------|-------------|--|-----|
| -- | 4321114 | MOTOR DRIVE ASSEMBLY - (115V) (ITEMS 8-21) | -- |
| | 4321191 | MOTOR DRIVE ASSEMBLY - (230V)(ITEMS 8-21) | |
| 1 | 1451097 | SCREW-#8-32X.31 HEX HD.TF- | 10 |
| 2 | 4321201 | COVER-TURRET-MOTOR-GEAR | 1 |
| 3 | 9900437 | RETAINING RING REINF E TYP | 1 |
| 4 | 4327034 | GEAR-DRIVE-BLACK | 1 |
| 5 | 4312217 | SCREW#8-32 X.50 PHILLIPS-P | 6 |
| 6 | 4321106 | BUSHING & DRIVE SHAFT ASSY | 1 |
| 7 | 4321002 | HOUSING-DRIVE SHAFT-LOWER | 1 |
| 8 | 6234295 | SCREW-#8-32X.38 HHS W/LW | 4 |
| 9 | 4321207 | BRACKET - MOTOR MOUNT | 1 |
| 10 | 4301375 | GROOVE - PIN - .125 DIA.X.875 LG | 1 |
| 11 | 4321116 | MOTOR - REVERSIBLE - (115V) | 1 |
| | 4321192 | MOTOR - REVERSIBLE - (230V) | |
| 12 | 4271062 | SCREW-#4-24 X .375 PH Z-P | 2 |
| 13 | 4321199 | ASSY- MOTION DETECTOR | 1 |
| 14 | 2204093 | WASHER - SCAVENGER BAR | 1 |
| 15 | 9900205 | SCREW #10-32 X 3/8 HEX HD | 1 |
| 16 | 4321107 | ENCODER - FOOD DRUM POSITION | 1 |
| 17 | 4321198 | BRACKET - ENCODER SENSOR MOUNTING | 1 |
| 18 | 9900081 | NUT #8-32 KEPS ZINC PLATE | 2 |
| 19 | 9900160 | SCREW-#8-18 X 1/2"PHIL.PAN | 1 |
| 20 | 1452139 | RETAINER-HARNESS | 1 |
| 21 | 5004473 | SCREW - #8-32X1.25 PHS | 2 |

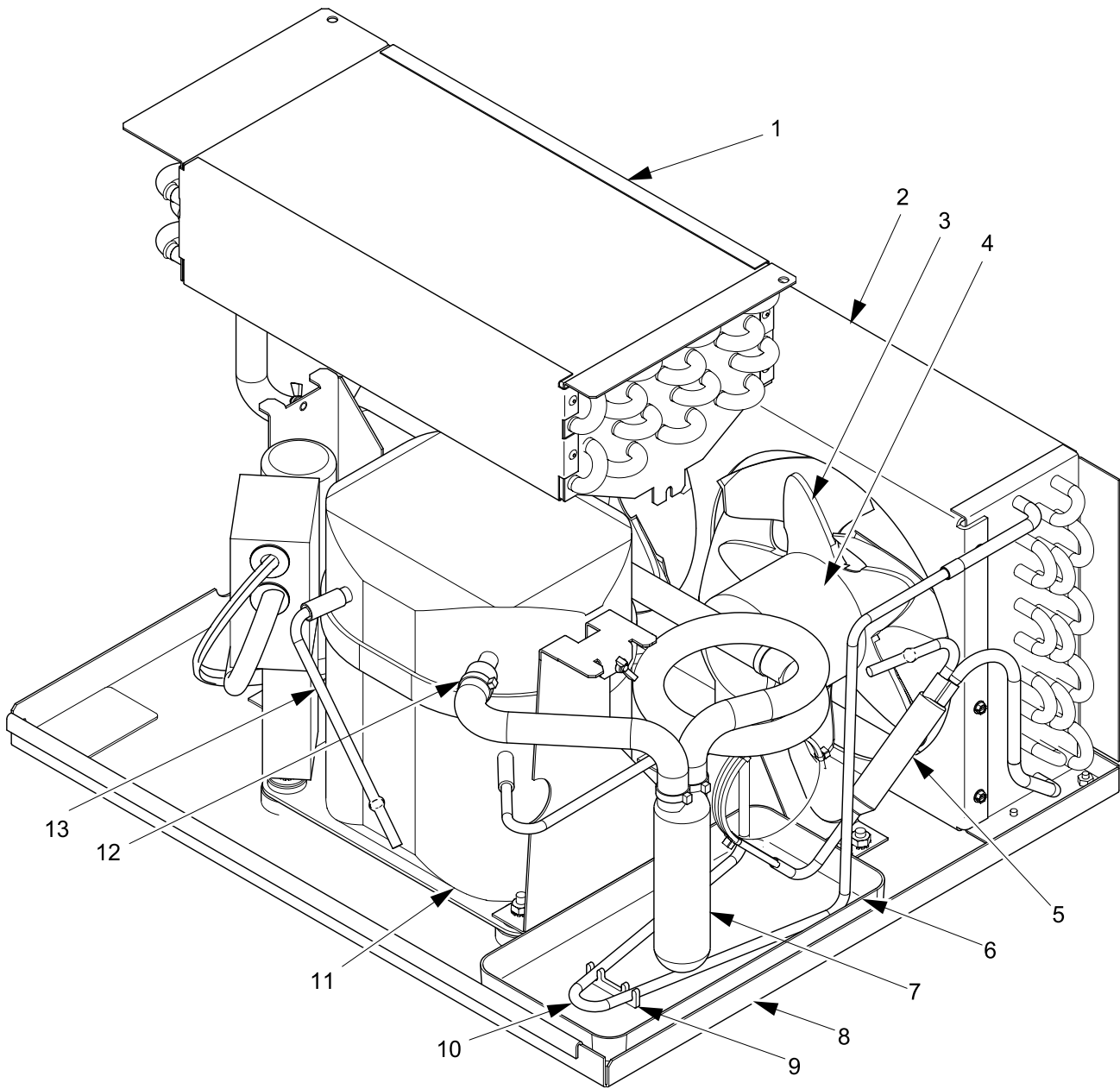


432p0048

FIGURE 22: STOP PIN ASSEMBLY

TABLE 22: STOP PIN ASSEMBLY

| INDEX | PART NUMBER | DESCRIPTION | QTY |
|-------|-------------|--|-----|
| -- | 4321185 | STOP PIN ASSEMBLY - (115V) | -- |
| | 4321186 | STOP PIN ASSEMBLY - (230V) | |
| 1 | 4327054 | COVER-STOP PIN ASSY | 1 |
| 2 | 1451097 | SCREW-#8-32 X .31 HEX HD. TF-BLK | 2 |
| 3 | 9900164 | NUT #10-32 KEPS ZINC PLATE | 1 |
| 4 | 3157060 | SCREW#8-32 X .31HEX/HD.S | 4 |
| 5 | 4327053 | HOUSING-STOP PIN ASSY | 1 |
| 6 | 4302316 | FASTENER-TWIN TYPE | 1 |
| 7 | 4327063 | PLATE-SWITCH-STOP PIN | 1 |
| 8 | 9900177 | SCREW-#8-32 X 7/32 HEX WHD RGS | 2 |
| 9 | 6112042 | INSULATOR SWITCH | 1 |
| 10 | 9984634 | SWITCH-ROLLER LEVER | 1 |
| 11 | 4312216 | SCREW -#4-40 X 5/8 R.H.P | 1 |
| 12 | 9984095 | BUSHING-OPEN/CLOSED-.625 | 1 |
| 13 | 4327064 | BUSHING-ACTUATOR-STOP PIN | 1 |
| 14 | 4327062 | BUSHING-ACTUATOR-STOP PIN | 1 |
| 15 | 6138181 | WASHER PLATE | 1 |
| 16 | 6104411 | SCREW #10-32 X 1-1/2 PHILLIPS | 1 |
| 17 | 4311076 | SPRING-EXTENSION | 2 |
| 18 | 9900107 | SCREW #6-32 X 5/16-RHS-W/LKW | 4 |
| 19 | 4311252 | SOLENOID ASSY 120 VOLTS | 1 |
| | 4311253 | SOLENOID ASSY 240 VOLTS | |
| 20 | 4301375 | GROOVE-PIN-.125 DIA. X .875 LG. | 1 |
| 21 | 4301364 | BUSHING RETAINER | 1 |
| 22 | 6104216 | ROLL PIN | 1 |
| 23 | 4327055 | LEVER-ACTUATOR-STOP PIN | 1 |
| 24 | 4327037 | STOP PIN | 1 |
| 25 | 4311082 | CAM-SWITCH DELAY | 1 |
| 26 | 9900078 | NUT #6-32 KEPS ZINC PLATE | 4 |
| -- | -- | LUBRICANT - ENLUBOL AA-2 GREASE OZ (NOT SHOWN) | 1 |



432p0002

FIGURE 23: REFRIGERATION UNIT ASSEMBLY

TABLE 23: REFRIGERATION UNIT ASSEMBLY

| INDEX | PART NUMBER | DESCRIPTION | QTY |
|-------|-------------|---|-----|
| -- | 4324000 | REFRIGERATION UNIT ASSEMBLY - 60HZ - (115V) | 1 |
| | 4324001 | REFRIGERATION UNIT ASSEMBLY - 50HZ - (230V) | |
| 1 | 4324003 | EVAPORATOR ASSEMBLY - PLUS - PANELS | 1 |
| 2 | 4324014 | CONDENSER - 9 X 17.5 3R7 FPI | 1 |
| 3 | 7214014 | BLADE - CONDENSER FAN | 2 |
| 4 | 4304092 | MOTOR - CONDENSER FAN - (115V) | 2 |
| | 4774122 | MOTOR - CONDENSER FAN - (230V) | |
| 5 | 4364034 | FILTER/DRIER - REFRIGERANT (115V ONLY) | 1 |
| 6 | 4324030 | PAN - CONDENSATE | 1 |
| 7 | 4244009 | ACCUMULATOR P-H 22-056380-01 | 1 |
| 8 | 4324004 | BASE/STUD ASSEMBLY - REFRIGERATION UNIT | 1 |
| 9 | 4304076 | SPACER - COMP. DISCH.TUBE | 1 |
| 10 | 4324027 | TUBE - DISCH LINE - COMPRESSOR TO CONDENSER | 1 |
| 11 | 4274000 | COMPRESSOR - (115V) - AKA4460YXA 60H | 1 |
| | 4314055 | COMPRESSOR - (230V) - R134A | |
| 12 | 2204513 | WIRE TIE - #PLT 1.5IM KB | 12 |
| 13 | 4364043 | TUBE - PROCESS - EL | 1 |

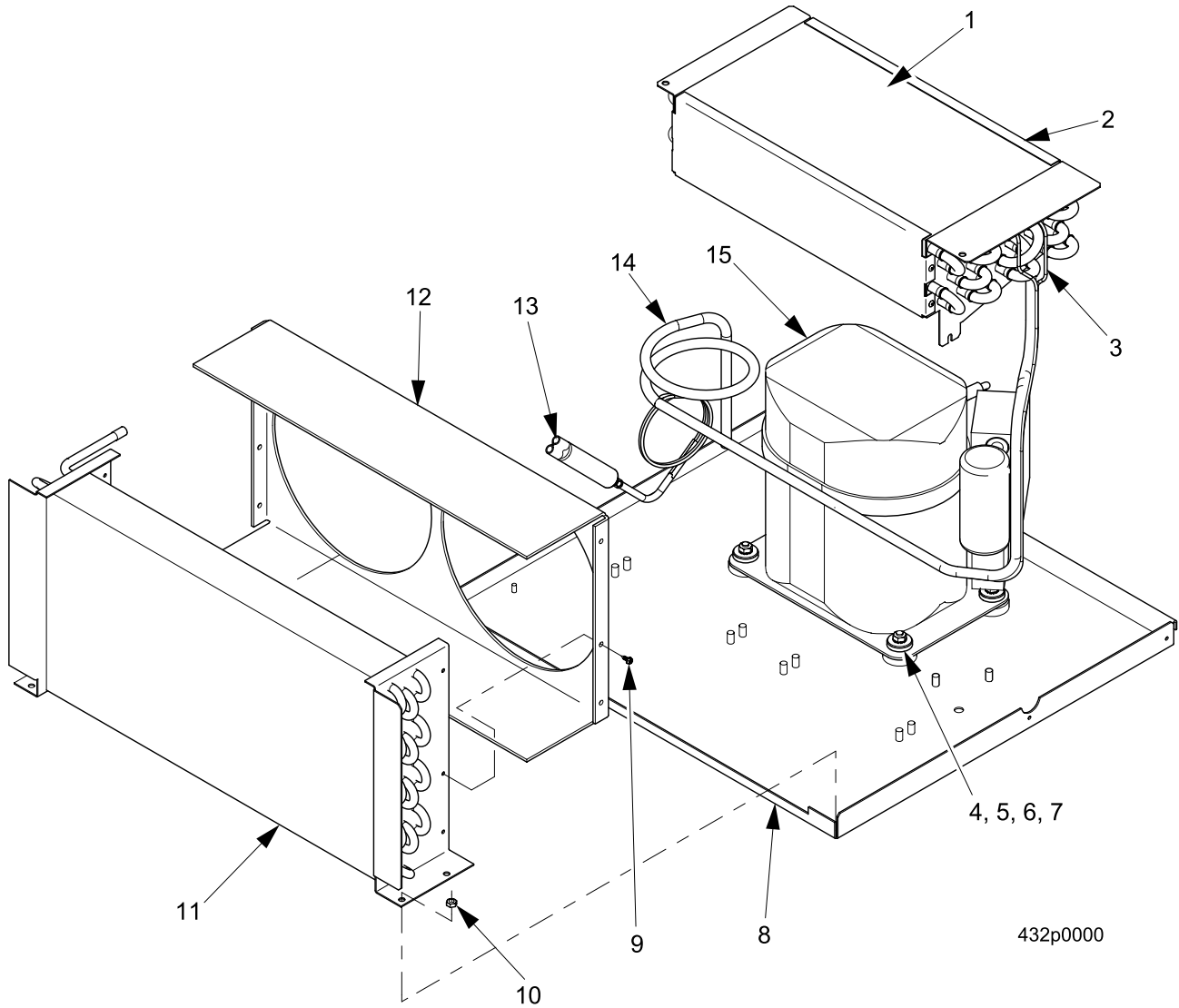
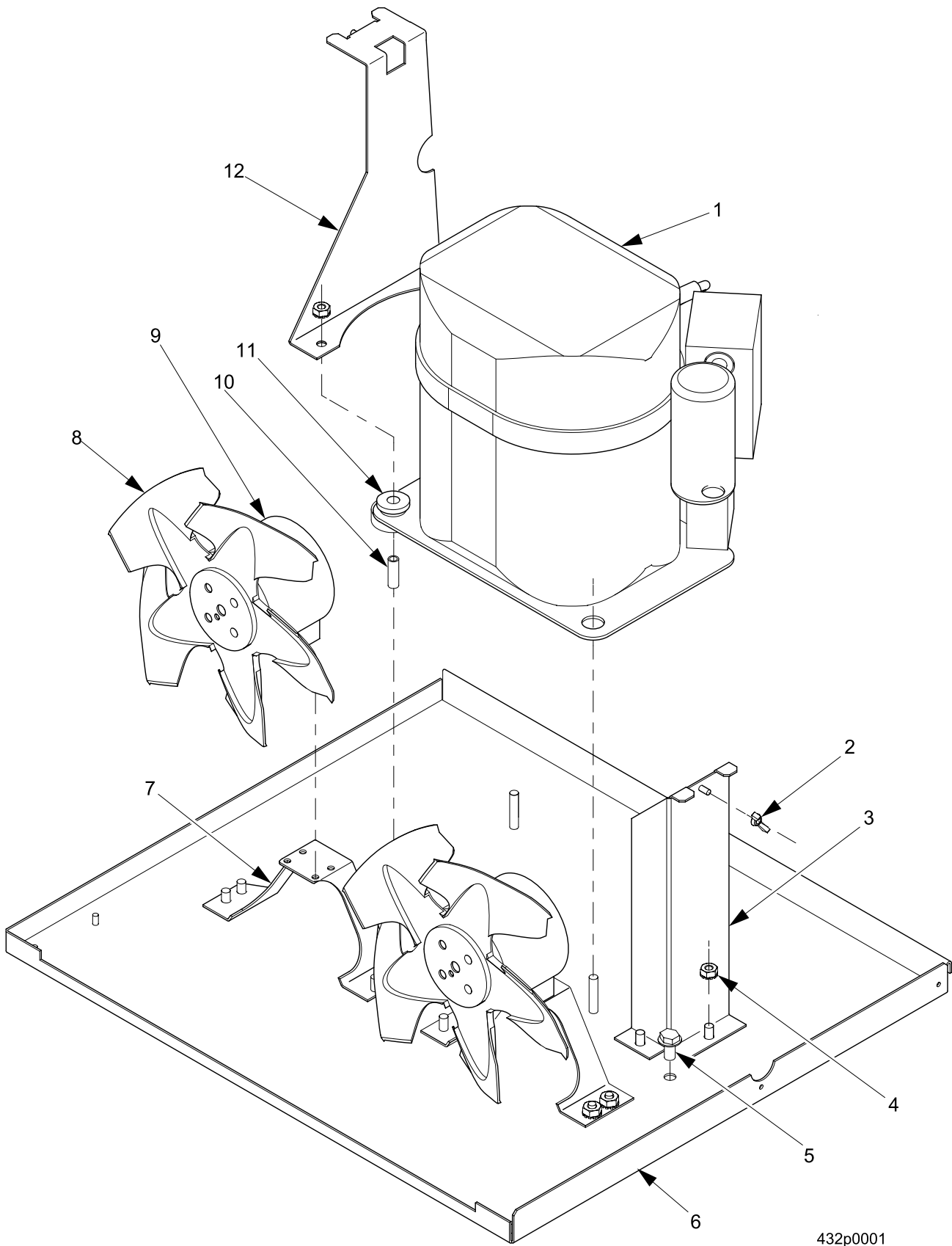


FIGURE 24: REFRIGERATION UNIT COMPONENTS

TABLE 24: REFRIGERATION UNIT COMPONENTS

| INDEX | PART NUMBER | DESCRIPTION | QTY |
|-------|-------------|---|-----|
| 1 | 4324003 | EVAPORATOR ASSEMBLY - PLUS - PANELS (INCLUDES ITEMS 2 & 3) | 1 |
| 2 | 4324023 | PANEL - EVAPORATOR | 2 |
| 3 | 4324022 | EVAPORATOR COIL - 4 ROW | 1 |
| 4 | 1211105 | 1/4-20 KEPS NUT EXT LW ZP | 14 |
| 5 | 4304236 | WASHER - .88 O.D.X.38 I.D.X.063 | 2 |
| 6 | 4324013 | SLEEVE - 11/16 LENGTH | 4 |
| 7 | 4324012 | GROMMET - 11/16 HEIGHT | 4 |
| 8 | 4324004 | BASE/STUD ASSEMBLY - REFRIGERATOIN UNIT | 1 |
| 9 | 4721035 | SCREW - #8-18 X .38 - LGM | 6 |
| 10 | 9900081 | NUT #8-32 KEPS ZINC PLATE | 4 |
| 11 | 4324014 | CONDENSER - 9 X 17.5 3R7 FPI | 1 |
| 12 | 4324016 | SHROUD - CONDENSER - CARDBOARD | 1 |
| 13 | 4364034 | FILTER/DRIER - REFRIGERANT | 1 |
| 14 | 4324029 | HEAT EXCHANGER ASSEMBLY | 1 |
| 15 | 4274000 | COMPRESSOR - AKA4460YXA 60H - (115V) | 1 |
| | 4314055 | COMPRESSOR - R134A - (230V) | |

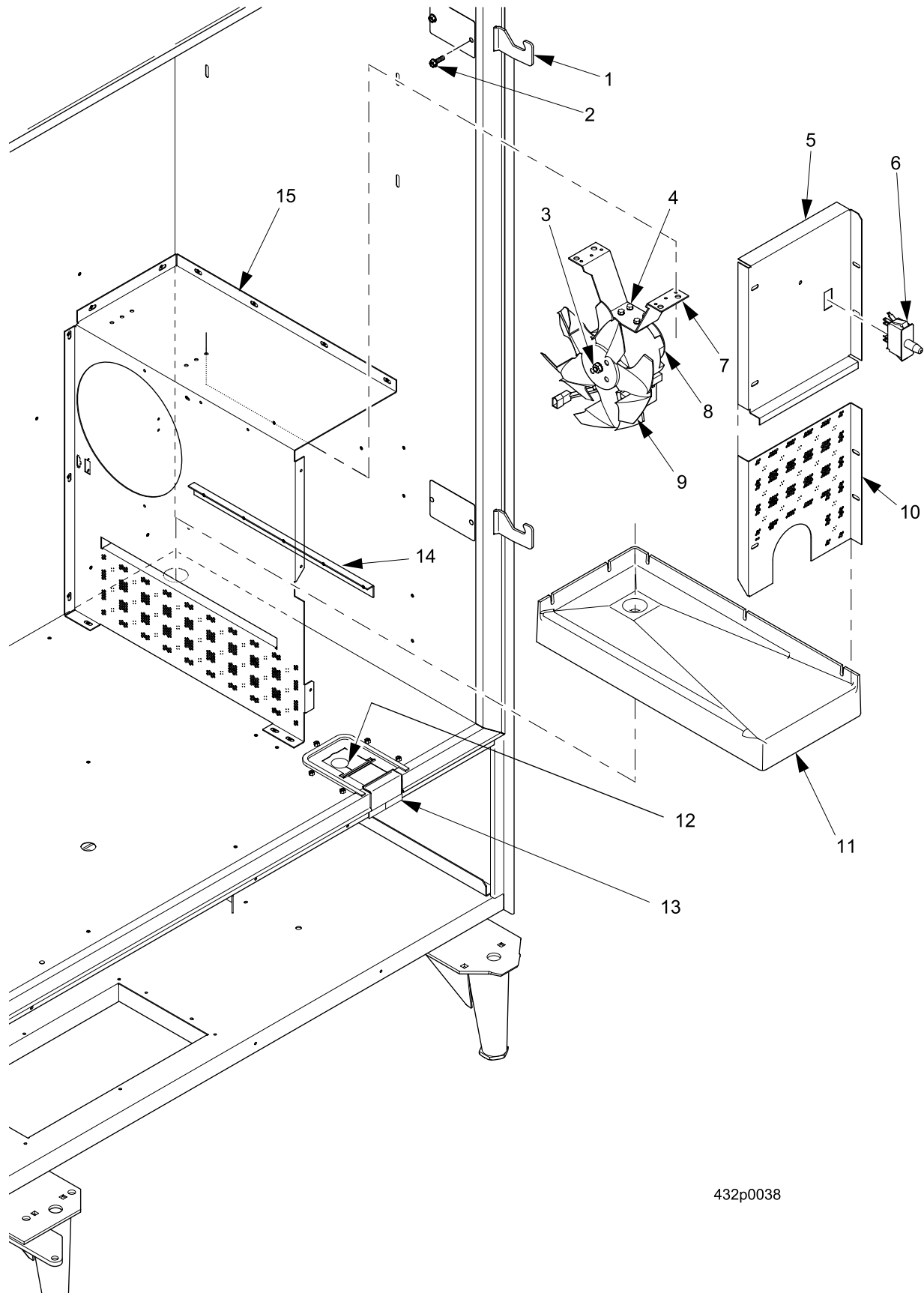


432p0001

FIGURE 25: REFRIGERATION UNIT - BASE AND CONDENSER FAN

TABLE 25: REFRIGERATION UNIT - BASE AND CONDENSER FAN

| INDEX | PART NUMBER | DESCRIPTION | QTY |
|-------|-------------|---|-----|
| -- | 4324000 | REFRIGERATION UNIT ASSEMBLY - COMPRESSOR - (115V) | 1 |
| | 4324001 | REFRIGERATION UNIT ASSEMBLY - 50HZ - (230V) | |
| 1 | 4274000 | COMPRESSOR-AKA4460YXA 115V 60H | 1 |
| | 4314055 | COMPRESSOR-220V-R134A | |
| 2 | 4271080 | NUT - WING - #8-32 W/NYLON INSERT | 2 |
| 3 | 4324009 | ASSEMBLY - FRONT - SHIP - BRACKET - STUD | 1 |
| 4 | 1211105 | 1/4-20 KEPS NUT EXT LW ZP | 14 |
| 5 | 6401052 | SCREW-#5/16-18 X .63 HEX HD. | 1 |
| 6 | 4324004 | BASE/STUD ASSEMBLY - REFRIGERATION UNIT | 1 |
| 7 | 4324037 | BRACKET - MOTOR MOUNT | 2 |
| 8 | 7214014 | BLADE - CONDENSER FAN | 2 |
| 9 | 4304092 | MOTOR - CONDENSER FAN - (115V) | 2 |
| | 4774122 | MOTOR - CONDENSER FAN - (230V) | |
| 10 | 4324013 | SLEEVE - 11/16 LENGTH | 4 |
| 11 | 4324012 | GROMMET - 11/16 HEIGHT | 4 |
| 12 | 4324010 | ASSEMBLY - BACK - SHIP - BRACKET - STUD | 1 |

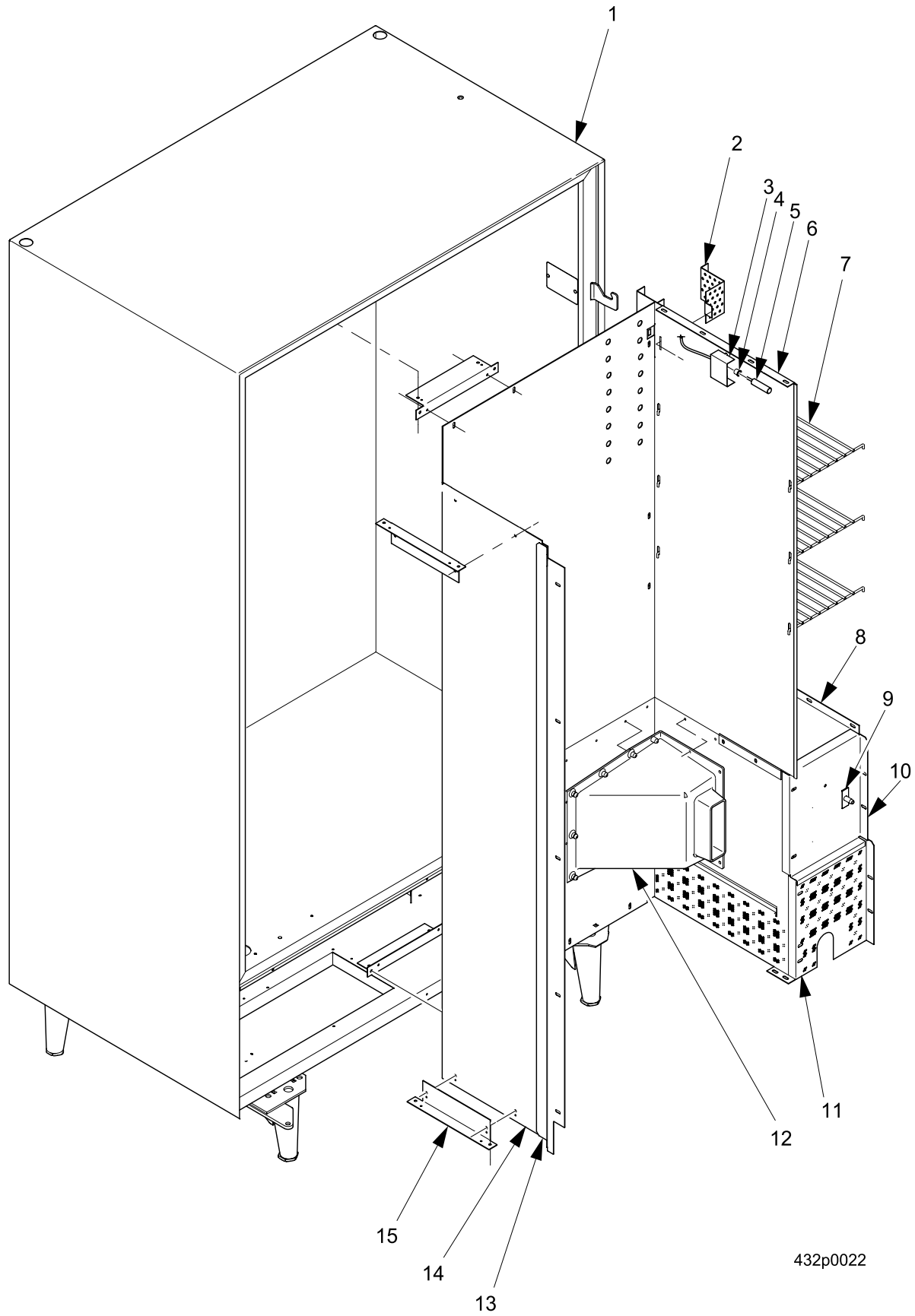


432p0038

FIGURE 26: EVAPORATOR MOTOR ASSEMBLY

TABLE 26: EVAPORATOR MOTOR ASSEMBLY

| INDEX | PART NUMBER | DESCRIPTION | QTY |
|-------|-------------|---|-----|
| -- | 4321172 | EVAPORATOR MOTOR ASSEMBLY - (115V) (ITEMS 1,2, 5-7) | -- |
| | 4321173 | EVAPORATOR MOTOR ASSEMBLY - (230V) (ITEMS 1,2, 5-7) | |
| 1 | 4321061 | ARM-LOCK-CABINET | 2 |
| 2 | 1141043 | 10-32 X 1/2 ACORN HWHO-WIBS | 4 |
| 3 | 1211105 | 1/4-20 KEPS NUT EXT LW ZP | 1 |
| 4 | 4721035 | SCREW - #8-18 X .38-LGM | 4 |
| 5 | 4321016 | PANEL - FAN - ACCESS | 1 |
| 6 | 1236050 | SWITCH-INTERLOCK | 1 |
| 7 | 7214082 | BRACKET - CONDENSER FAN | 1 |
| 8 | 4324038 | MOTOR - 60HZ - EXT. - CAPAC - (115V) | 1 |
| | 4324039 | MOTOR - 50HZ - EXT. - CAPAC - (230V) | |
| 9 | 4324041 | BLADE - EVAPORATOR FAN | 1 |
| 10 | 4321166 | PANEL - PERFORATED | 1 |
| 11 | 4321023 | PAN - ABS - EVAPORATOR DRAIN | 1 |
| 12 | 4321044 | INSULATION-PASSTHRU-CABINET | 1 |
| 13 | 4321089 | RETAINER-CABINET-NOTCH | 1 |
| 14 | 4321104 | BRACKET - ANGLE - EVAPORATOR | 1 |
| 15 | 4321012 | PANEL - EVAPORATOR MOUNT | 1 |
| -- | 9989781 | POWER CORD - 14AWG - DOMESTIC - (115V) (NOT SHOWN) | 1 |
| | 9989576 | POWER CORD - W/BSI PLUG - (230V) (NOT SHOWN) | |
| | 9989560 | POWER CORD-FOR.-AUSTR./NEW Z. | |



432p0022

FIGURE 27: REFRIGERATION AIR DUCTS

TABLE 27: REFRIGERATION AIR DUCTS

| INDEX | PART NUMBER | DESCRIPTION | QTY |
|-------|-------------|----------------------------------|-----|
| 1 | 4321004 | CAB.ASSY-INSUL.-BLK.INTERIOR | 1 |
| | 4321013 | CAB.ASSY-IN.SEL WHI BLK INTER | |
| 2 | 4321159 | GUARD - AIR DUCT | 1 |
| 3 | 4321175 | COVER - TEMPERATURE SENSOR | 1 |
| 4 | 9985887 | BUSHING-STRAIN RELIEF | 1 |
| 5 | 9987852 | PROBE-TEMP. SENSOR | 1 |
| 6 | 4321015 | STORAGE WALL | 1 |
| 7 | 4301254 | SHELF - STORAGE | 3 |
| 8 | 4321012 | PANEL - EVAPORATOR MOUNT | 1 |
| 9 | 1236050 | SWITCH - INTERLOCK | 1 |
| 10 | 4321016 | PANEL - FAN - ACCESS | 1 |
| 11 | 4321166 | PANEL - PERFORATED | 1 |
| 12 | 4321124 | DUCT - AIR - CORNER | 1 |
| 13 | 4321171 | PANEL ASSEMBLY - DISCHARGE - AIR | 1 |
| 14 | 4321017 | PANEL - AIR SUPPLY | 1 |
| 15 | 4321020 | BRACKET - ANGLE | 6 |

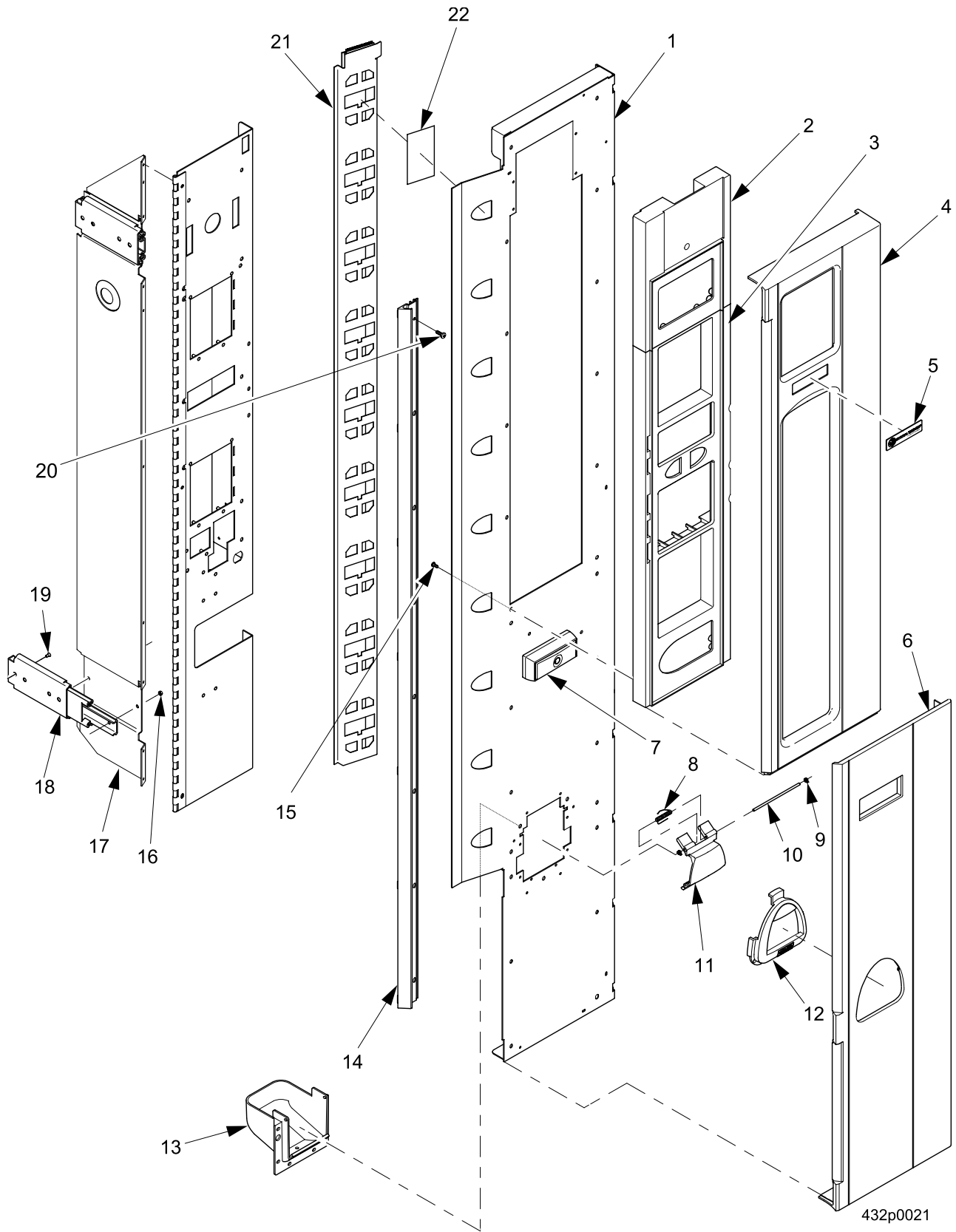


FIGURE 28: MONETARY PANEL

TABLE 28: MONETARY PANEL

| INDEX | PART NUMBER | DESCRIPTION | QTY |
|-------|-------------|-------------------------------------|-----|
| 1 | 4325013 | WELD ASSEMBLY - ACCESS PANEL | 1 |
| 2 | 4325083 | SELECTION PANEL - TOP - MONETARY | 1 |
| 3 | 4325052 | SELECTION PANEL - BOTTOM - MONETARY | 1 |
| 4 | 4325037 | PANEL - TRIM - TOP ACCESS | 1 |
| 5 | 4322101 | PLATE - NV LOGO | 1 |
| 6 | 4325038 | PANEL - TRIM - BOTTOM - ACCESS | 1 |
| 7 | 4322113 | LOCK ASSEMBLY - "T" | 1 |
| 8 | 4245083 | SPRING - COIN RETURN DOOR | 1 |
| 9 | 2366055 | CLIP-SPEED | 2 |
| 10 | 4325067 | SHAFT - COIN RETURN GATE | 1 |
| 11 | 4325066 | GATE - COIN RETURN | 1 |
| 12 | 4325064 | BEZEL - COIN RETURN CUP | 1 |
| 13 | 4325065 | CUP - COIN RETURN | 1 |
| 14 | 4325088 | TRIM - SIDE - ACCESS PANEL - BLACK | 1 |
| 15 | 4747171 | SCREW-#6-19 X .38 PHIL.PHS-T/C | 31 |
| 16 | 9900081 | NUT #8-32 KEPS ZINC PLATE | 1 |
| 17 | 4325152 | PANEL - SIDE - MONETARY | 1 |
| 18 | 4325153 | SLIDES - MONETARY PANEL ASSEMBLY | 2 |
| 19 | 4555155 | SCREW #10-32 X .375 PHS. FHS. | 8 |
| 20 | 5262345 | 01832312 #8-32X3/4 TAPTITE T/F | 8 |
| 21 | 4325105 | PRICE DISPLAY ASSEMBLY | 1 |
| 22 | 4325070 | INSERT-LENS-DISPLAY | 9 |

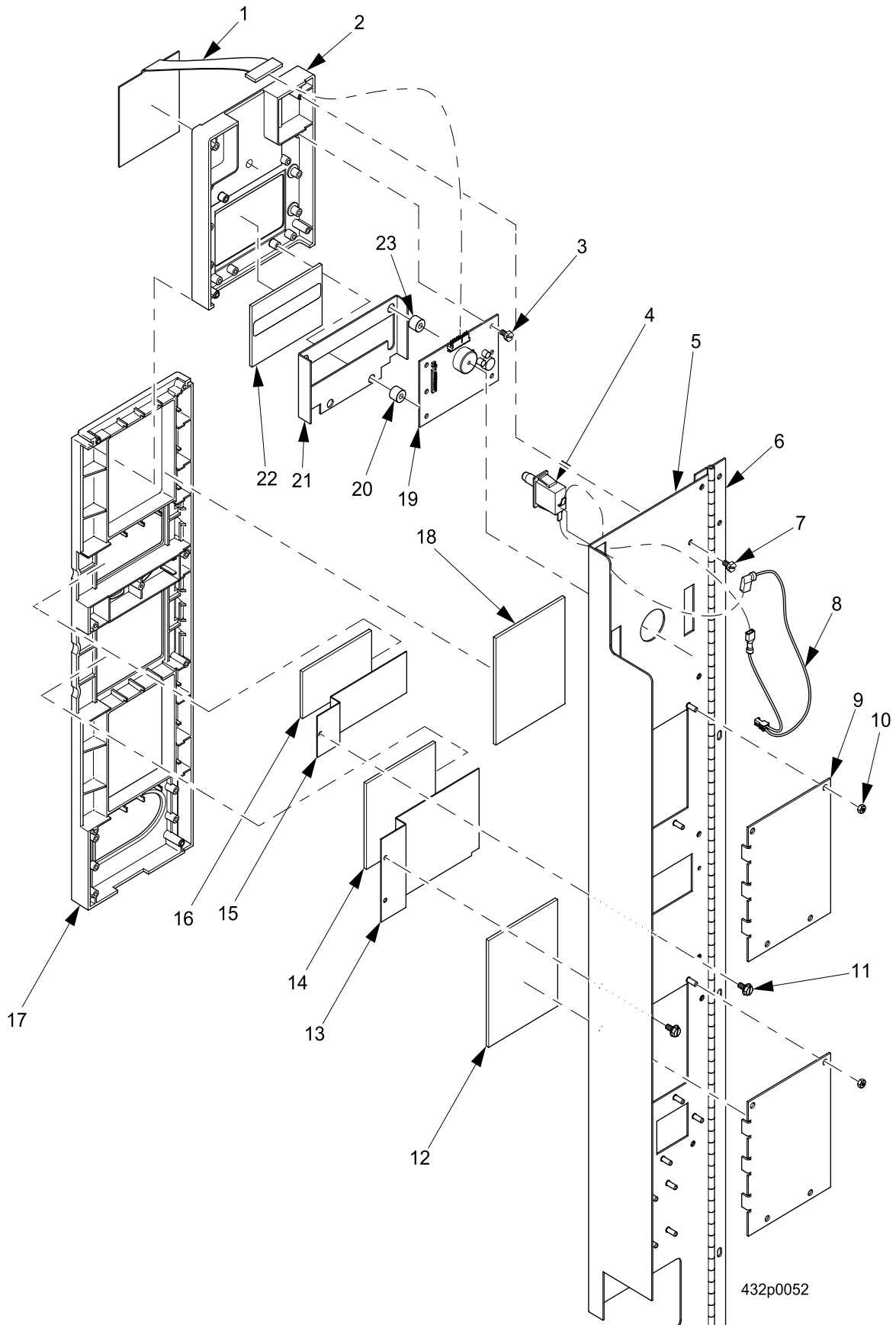


FIGURE 29: INTERIOR MONETARY PANEL

TABLE 29: INTERIOR MONETARY PANEL

| INDEX | PART NUMBER | DESCRIPTION | QTY |
|-------|-------------|--|-----|
| 1 | 6335002 | SERVICE KEYPAD ASSEMBLY | 1 |
| 2 | 4325083 | SELECTION PANEL-TOP | 1 |
| 3 | 1437204 | SCREW 8-10 X .38 HEX HD TF | 4 |
| 4 | 6111041 | SWITCH SERVICE LIGHT 1DM2 | 1 |
| 5 | 4325000 | WELD ASSY-MONETARY PANEL | -- |
| 6 | 4325004 | HINGE-MONETARY PANEL (REF. ONLY) | 1 |
| 7 | 3128092 | SCREW-HILO-7-19 X 3/8 HEX WASH | 10 |
| 8 | 1579009 | JUMPER-MONETARY DOOR SWITCH | 1 |
| 9 | 4325075 | PLATE-FILLER | 1 |
| 10 | 9900081 | NUT #8-32 X .50 KEPS ZINC | 8 |
| 11 | 1451097 | SCREW-#8-32X.31 HEX HD.TF-BLK. | 3 |
| 12 | 1575076 | INSERT-INSTR-LOWER-BLANK (IF EQUIPPED) | 1 |
| 13 | 4325091 | PLATE-BACKING-LOWER-REMOVABLE | 1 |
| 14 | 4325073 | INSERT INSTR.-LOWER(DOMESTIC) | 1 |
| 15 | 4325077 | PLATE-BACKING-UPPER-REMOVABLE | 1 |
| 16 | 4325072 | INSERT INSTR.-UPPER(DOMESTIC) | 1 |
| 17 | 4325052 | SELECTION PANEL-BOTTOM | 1 |
| 18 | 1575076 | INSERT-INSTR-LOWER-BLANK (IF EQUIPPED) | 1 |
| 19 | 4322175 | PCB ASSEMBLY-DISPLAY | 1 |
| 20 | 2302053 | SPACER - CUP | 2 |
| 21 | 4325084 | RETAINER-DISPLAY LENS-NORITAKE | 1 |
| 22 | 4325034 | INSERT-DISPLAY | 1 |
| 23 | 4325107 | SPACER DISPLAY | 4 |

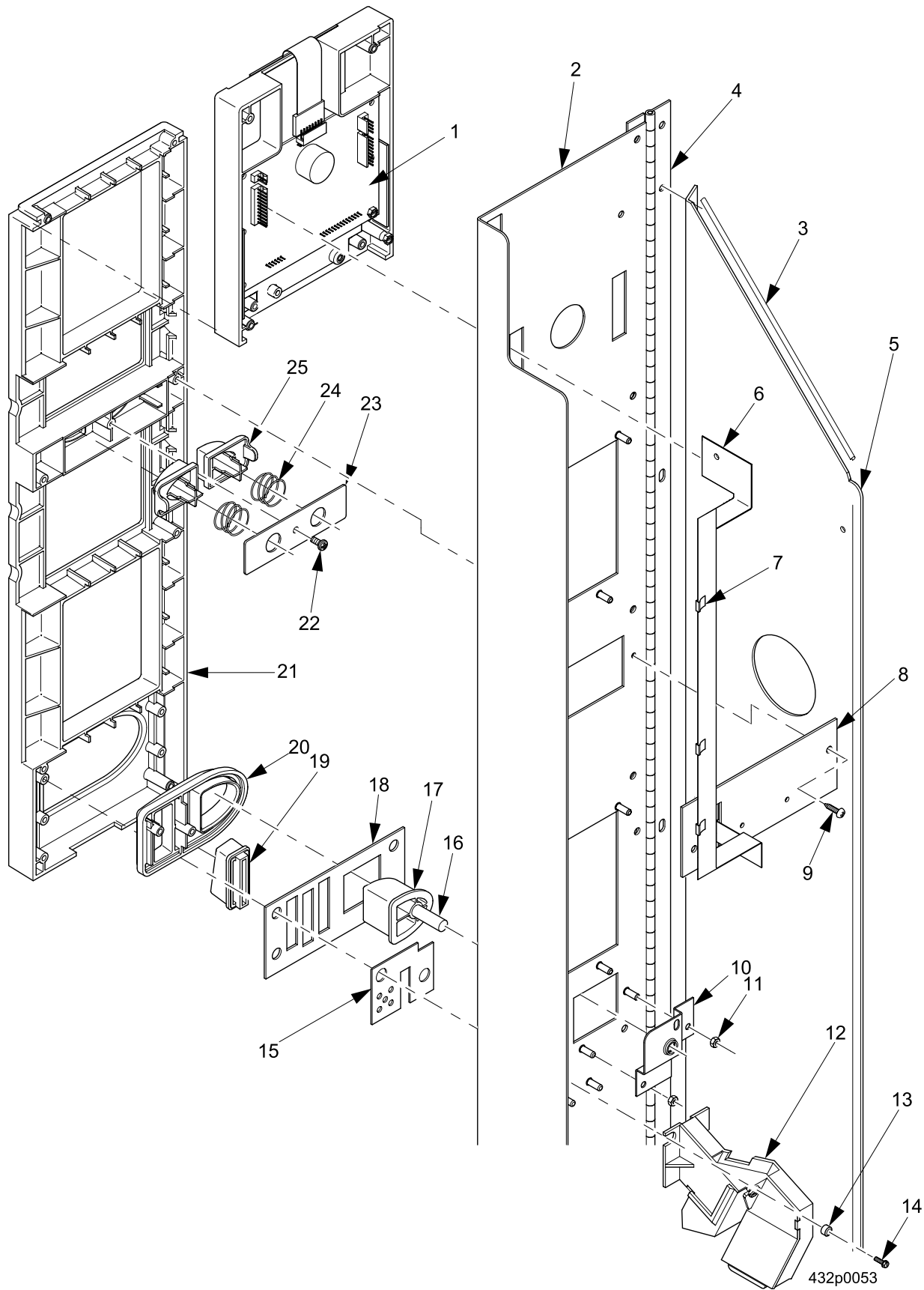
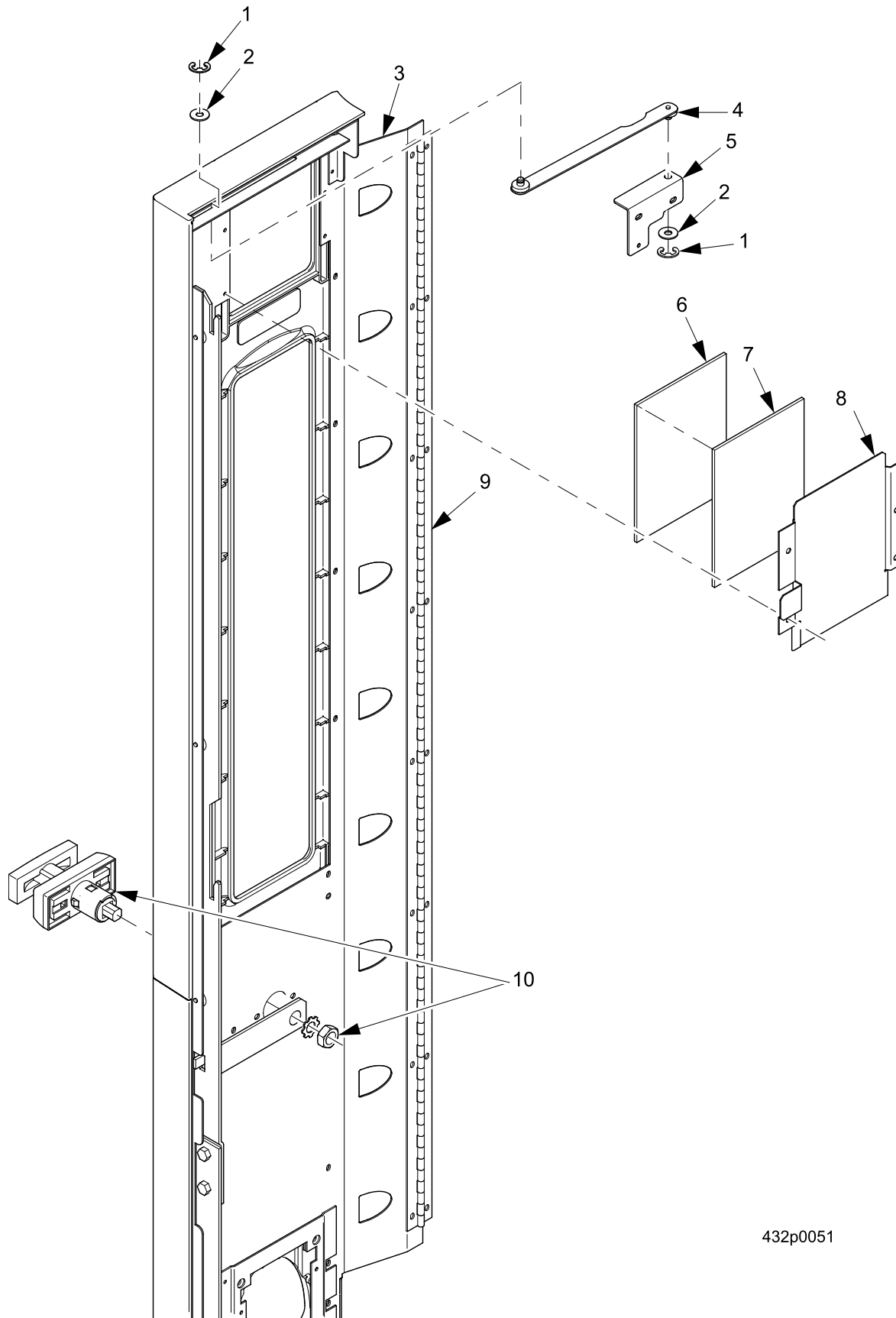


FIGURE 30: UPPER MONETARY - EXTERIOR

TABLE 30: UPPER MONETARY - EXTERIOR

| INDEX | PART NUMBER | DESCRIPTION | QTY |
|-------|-------------|---------------------------------|-----|
| 1 | 4322175 | PCB ASSEMBLY-DISPLAY | 1 |
| 2 | 4325000 | WELD ASSY-MONETARY PANEL | 1 |
| 3 | 4272060 | PRODUCT GUIDE EDGE TRIM | 1 |
| 4 | 4325004 | HINGE-MONETARY PANEL (REF ONLY) | 1 |
| 5 | 4325152 | PANEL-SIDE, MONETARY | 1 |
| 6 | 4325142 | SWITCH-MEMBRANE,TURRET DIRECT. | 1 |
| 7 | 4302166 | CABLE CLIP | 2 |
| 8 | 4325071 | PLATE-BACKING-MEMBRANE-SWITCH | 1 |
| 9 | 9900160 | SCREW-#8-18 X 1/2"PHIL.PAN HD. | 2 |
| 10 | 4325050 | BRACKET-COIN RETURN | 1 |
| 11 | 9900081 | NUT #8-32 KEPS ZINC PLATE | 2 |
| 12 | 1575003 | COIN CHUTE ASSEMBLY | 1 |
| 13 | 2302053 | SPACER-CUP | 2 |
| 14 | 3153046 | SCREW-HI LO #7-19 X .62 HWH | 2 |
| 15 | 1671041 | COIN BLOCK-50 CENTS | 1 |
| 16 | 4325051 | SHAFT-RETURN BUTTON | 1 |
| 17 | 4325061 | BUTTON-COIN RETURN | 1 |
| 18 | 4325082 | PANEL-BACKUP-MONETARY | 1 |
| 19 | 4325062 | INSERT-COIN | 1 |
| 20 | 4325063 | BEZEL-COIN INSERT | 1 |
| 21 | 4325052 | SEL.PANEL-BOTTOM-MONETARY | 1 |
| 22 | 4321168 | SCREW-#6-19 X .31 PHIL.PHS.T/C | 1 |
| 23 | 4325089 | RETAINER-DIRECTION-BUTTONS | 1 |
| 24 | 1572224 | SPRING-PUSH BUTTON | 2 |
| 25 | 4325033 | BUTTON-TURRET | 2 |

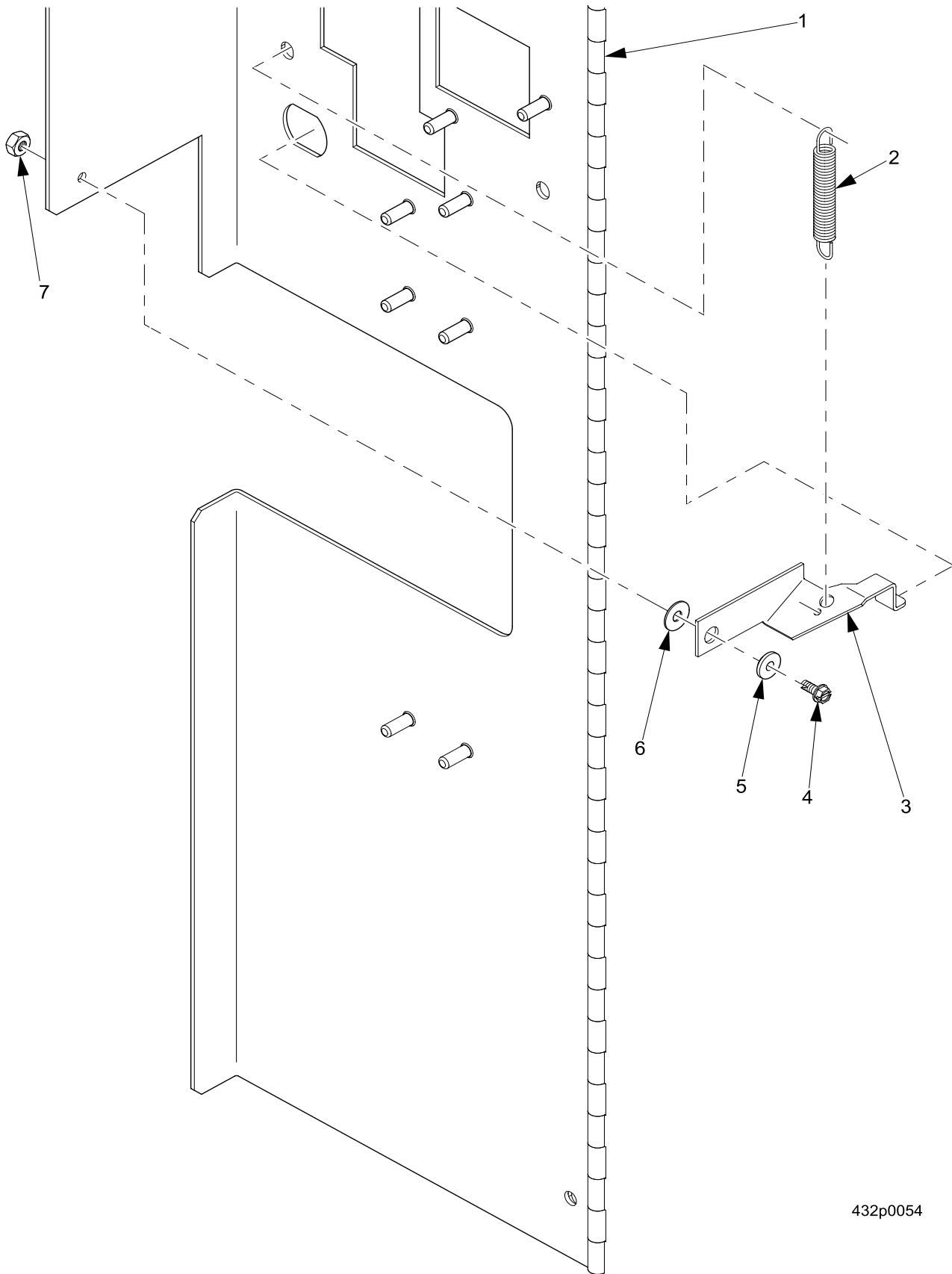


432p0051

FIGURE 31: EXTERIOR MONETARY PANEL

TABLE 31: EXTERIOR MONETARY PANEL

| INDEX | PART NUMBER | DESCRIPTION | QTY |
|-------|-------------|---------------------------------------|-----|
| 1 | 9900409 | RETAINING RING REINF E TYP.093 | 1 |
| 2 | 6404034 | WASHER - .687 O.D. X .265 I.D. X .050 | 1 |
| 3 | 4325013 | WELD ASSEMBLY - ACCESS PANEL | 1 |
| 4 | 4325058 | ARM ASSEMBLY - PIVOT - ACCESS PANEL | 1 |
| 5 | 4325057 | BRACKET PIVOT ACCESS PANEL | 1 |
| 6 | 1675006 | INSERT-INSTR.-UPPER-SUREVEND | 1 |
| 7 | 4325124 | LENS-UPPER POP | 1 |
| 8 | 4325126 | PLATE - BACKUP - UPPER TOP | 1 |
| 9 | 4325004 | HINGE-MONETARY PANEL(REF ONLY) | 1 |
| 10 | 4322113 | LOCK ASSY-"T" | 1 |



432p0054

FIGURE 32: INTERIOR MONETARY LATCH ARM ASSEMBLY

TABLE 32: INTERIOR MONETARY LATCH ARM ASSEMBLY

| INDEX | PART NUMBER | DESCRIPTION | QTY |
|-------|-------------|--------------------------------|-----|
| 1 | 4325000 | WELD ASSY-MONETARY PANEL | -- |
| 2 | 1127808 | SPRING-SHELF RESET | 1 |
| 3 | 4325130 | ARM-LATCH-MONETARY | 1 |
| 4 | 4741050 | SCREW-#8-32 X .50 HX.HD.-T/F-B | 1 |
| 5 | 2228011 | SPACER-RELEASE ARM | 1 |
| 6 | 2204093 | WASHER-SCAVENGER BAR | 1 |
| 7 | 9900081 | NUT #8-32 KEPS ZINC PLATE | 1 |

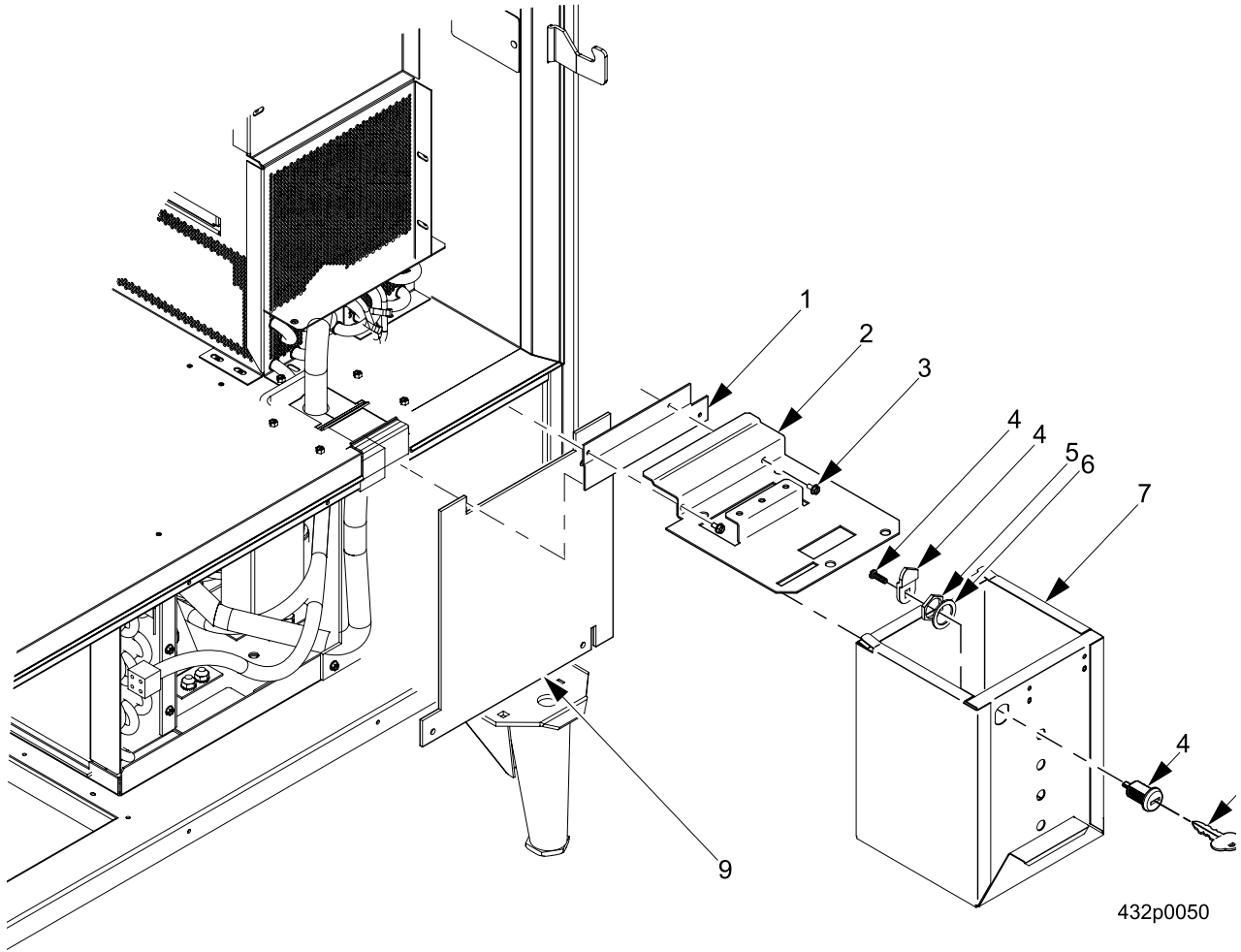
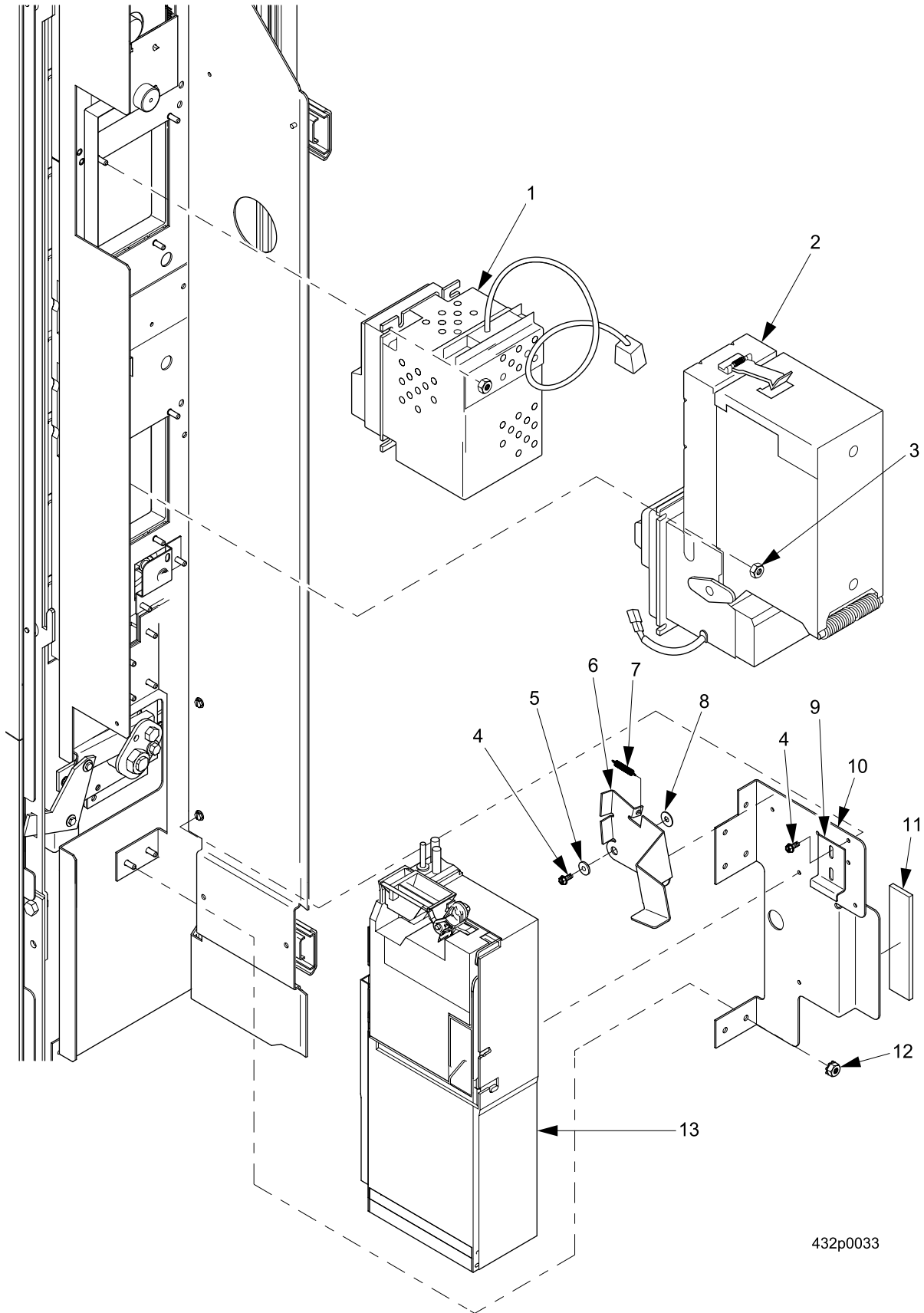


FIGURE 33: COIN BOX ASSY

TABLE 33: COIN BOX ASSEMBLY

| INDEX | PART NUMBER | DESCRIPTION | QTY |
|-------|-------------|----------------------------------|-----|
| 1 | 4321158 | BRACKET-CARDBOARD-MOUNT | 1 |
| 2 | 4321118 | MOUNT-COIN BOX | 1 |
| -- | 1470761 | MONEY BOX LOCK (ITEMS 4-6, 9) | -- |
| 3 | 1451097 | SCREW-#8-32X.31 HEX HD.TF- | 5 |
| 4 | 1101906 | MONEY BOX LOCK- #1801, KA NV 407 | 1 |
| 5 | 2222603 | NUT-LOCK RETAINING | 1 |
| 6 | 2222604 | WASHER-LOCK BARREL #2693 | 1 |
| 7 | 4321123 | COIN BOX ASSEMBLY-WELDED | 1 |
| 8 | 2221920 | KEY-CHICAGO LK-#1801 NV407, KB | 1 |
| 9 | 4324040 | PLASTIC CARDBOARD AIR BLOCK | 1 |



432p0033

FIGURE 34: MONETARY OPTIONS & INTERIOR MONETARY PANEL

TABLE 34: MONETARY OPTIONS & INTERIOR MONETARY PANEL

| INDEX | PART NUMBER | DESCRIPTION | QTY |
|---------|---------------------------------|--|-----|
| 1 | -- | CARD READER | OPT |
| 2 | 5900303 | VALIDATOR - COINCO BP4SX | 1 |
| | 5900210 | VALIDATOR MARS - VN2512 - U5M/500 | |
| | 5900247 | VALIDATOR MARS AE2612 - U5M **MDB** SS 4 | |
| 3 | 9900081 | NUT #8-32 KEPS ZINC PLATE | 8 |
| 4 | 9900106 | SCREW #8-32 X 3/8 ACORN HEX HD | 6 |
| 5 | 2228011 | SPACER-RELEASE ARM | 1 |
| 6 | 1571113 | ARM-SCAVENGER | 1 |
| 7 | 1127808 | SPRING-SHELF RESET | 1 |
| 8 | 2204093 | WASHER-SCAVENGER BAR | 1 |
| 9 | 6231037 | CLAMP-CABLE | 1 |
| 10 | 4325005 | BRACKET-COIN MECH. | 1 |
| 11 | 3122056 | MAGNET-RETAINR-COIN CHANGER KB | 1 |
| 12 | 9900081 | NUT #8-32 KEPS ZINC PLATE | 14 |
| 13 | 5900213 | COIN UNIT - COINCO - 9302GX MDB | 1 |
| | 5900313 | COINCO VORTEX - 3 TUBE | |
| | 5900269 | COINCO USQ - G701 - MDB - 4 TUBE | |
| | 5900270 | COINCO USQ - G702 MDB - 4 TUBE | |
| | 5900299 | COINCO USQ - G712 MDB - 4 TUBE | |
| | 5900243 | COIN UNIT - TRC6512, 1195500, CNSN | |
| | 5900311 | MARS CASH FLOW7512,5,5,10,25,\$ | |
| | 5900312 | MARS CASH FLOW7512,5,10,25,\$,\$ | |
| | 5900310 | MARS CASH FLOW7512,5,5,10,25,25 | |
| 5900307 | MARS CASH FLOW7512,1N,1D,2Q,1\$ | | |

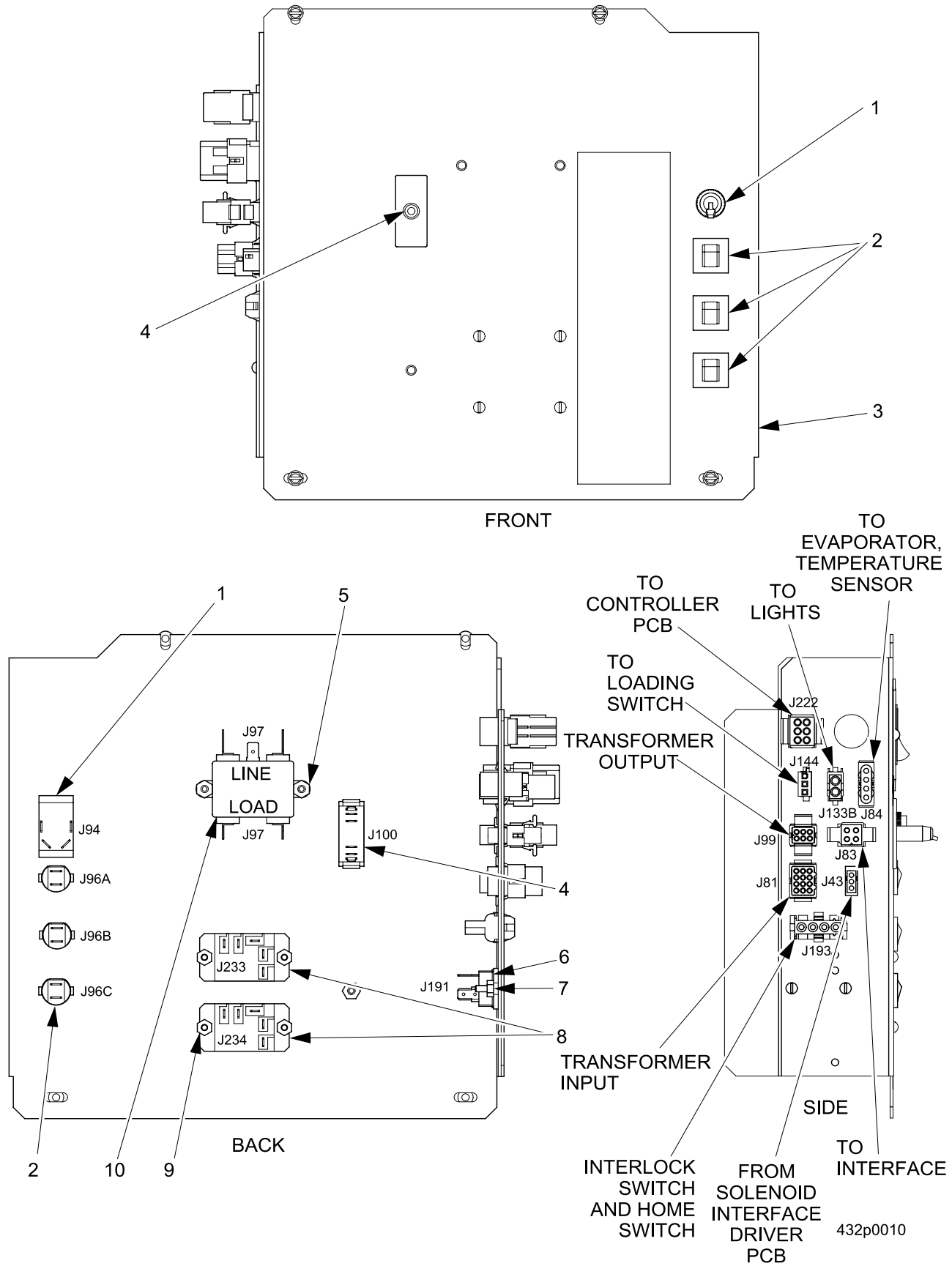
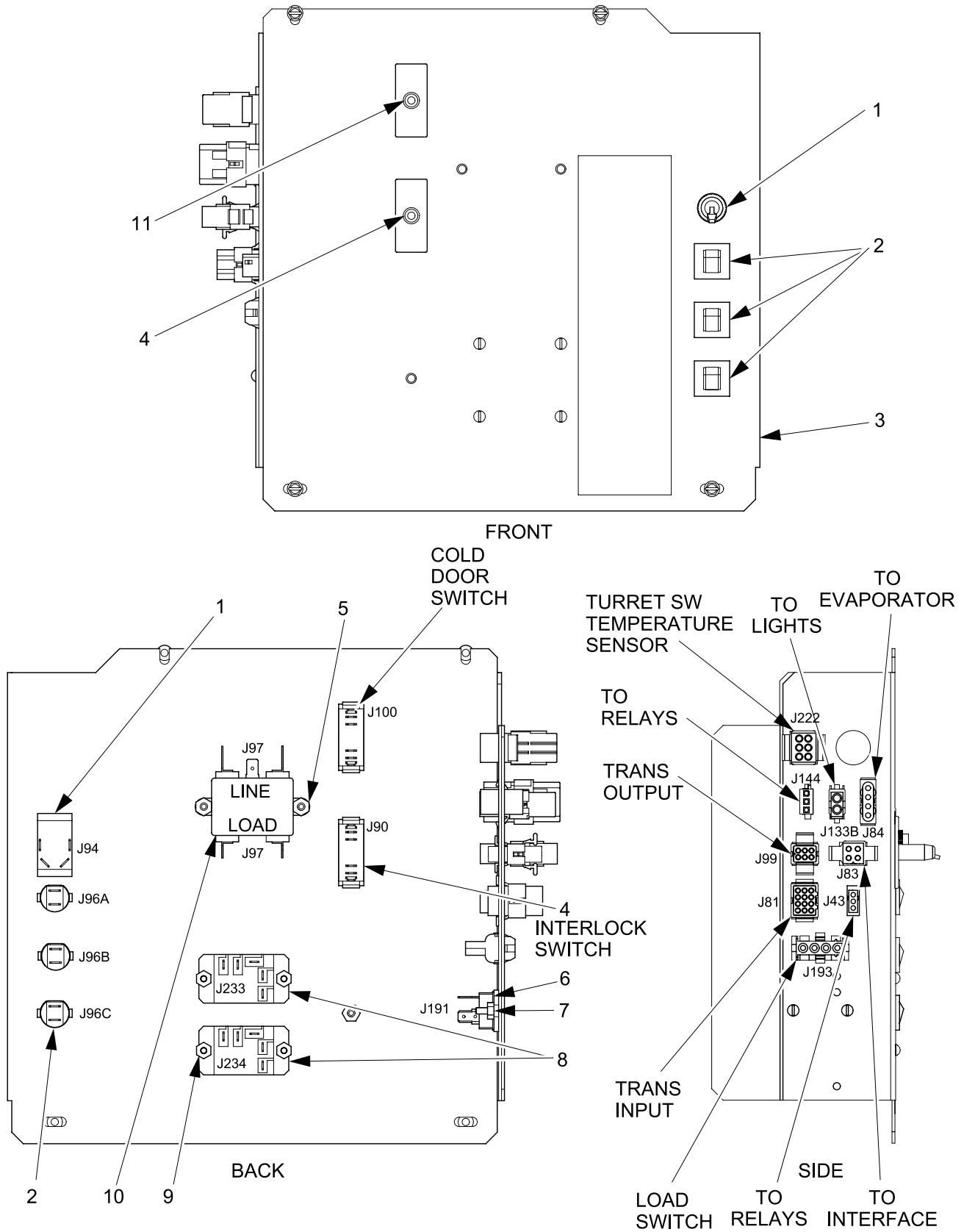


FIGURE 35: POWER PANEL ASSEMBLY - DOMESTIC (115V)

TABLE 35: POWER PANEL ASSEMBLY - DOMESTIC (115V)

| INDEX | PART NUMBER | DESCRIPTION | QTY |
|-------|-------------|----------------------------------|-----|
| -- | 4321167 | POWER PANEL ASSEMBLY - DOMESTIC | -- |
| 1 | 9984629 | SWITCH - TOGGLE - DPST - 20AMP | 1 |
| 2 | 9989674 | CIRCUIT BREAKER - 4 AMP | 3 |
| 3 | 4321131 | PANEL - POWER - FRONT - DOMESTIC | 1 |
| 4 | 1211141 | SWITCH | 1 |
| 5 | 9900081 | NUT #8-32 KEPS ZINC PLATE | 2 |
| 6 | 9983778 | TRIAC - 35A - 600V | 1 |
| 7 | 1211109 | 6-32X9/16 PHS MACH SCR ZP | 6 |
| 8 | 9989677 | RELAY - SPDT 24VDC - PANEL MOUNT | 2 |
| 9 | 9900078 | NUT #6-32 KEPS ZINC PLATE | 6 |
| 10 | 9989100 | INTERFERENCE FILTER | 1 |



432p0039

FIGURE 36: POWER PANEL ASSEMBLY - INTERNATIONAL (230V)

TABLE 36: POWER PANEL ASSEMBLY - INTERNATIONAL (230V)

| INDEX | PART NUMBER | DESCRIPTION | QTY |
|-------|-------------|---|-----|
| -- | 4321178 | POWER PANEL ASSEMBLY - FRONT - INTERNATIONAL (230V) | -- |
| 1 | 9984629 | SWITCH - TOGGLE - DPST - 20AMP | 1 |
| 2 | 9989674 | CIRCUIT BREAKER - 4 AMP | 3 |
| 3 | 4321194 | POWER PANEL FRONT INTERNATIONAL(230V) | 1 |
| 4 | 2366135 | SWITCH - INTERLOCK | 1 |
| 5 | 9900081 | NUT #8-32 KEPS ZINC PLATE | 2 |
| 6 | 9983778 | TRIAC - 35A - 600V | 1 |
| 7 | 1211109 | 6-32X9/16 PHS MACH SCR ZP | 6 |
| 8 | 9989677 | RELAY - SPDT 24VDC - PANEL MOUNT | 2 |
| 9 | 9900078 | NUT #6-32 KEPS ZINC PLATE | 6 |
| 10 | 9989100 | INTERFERENCE FILTER | 1 |
| 11 | 1211141 | SWITCH | 1 |

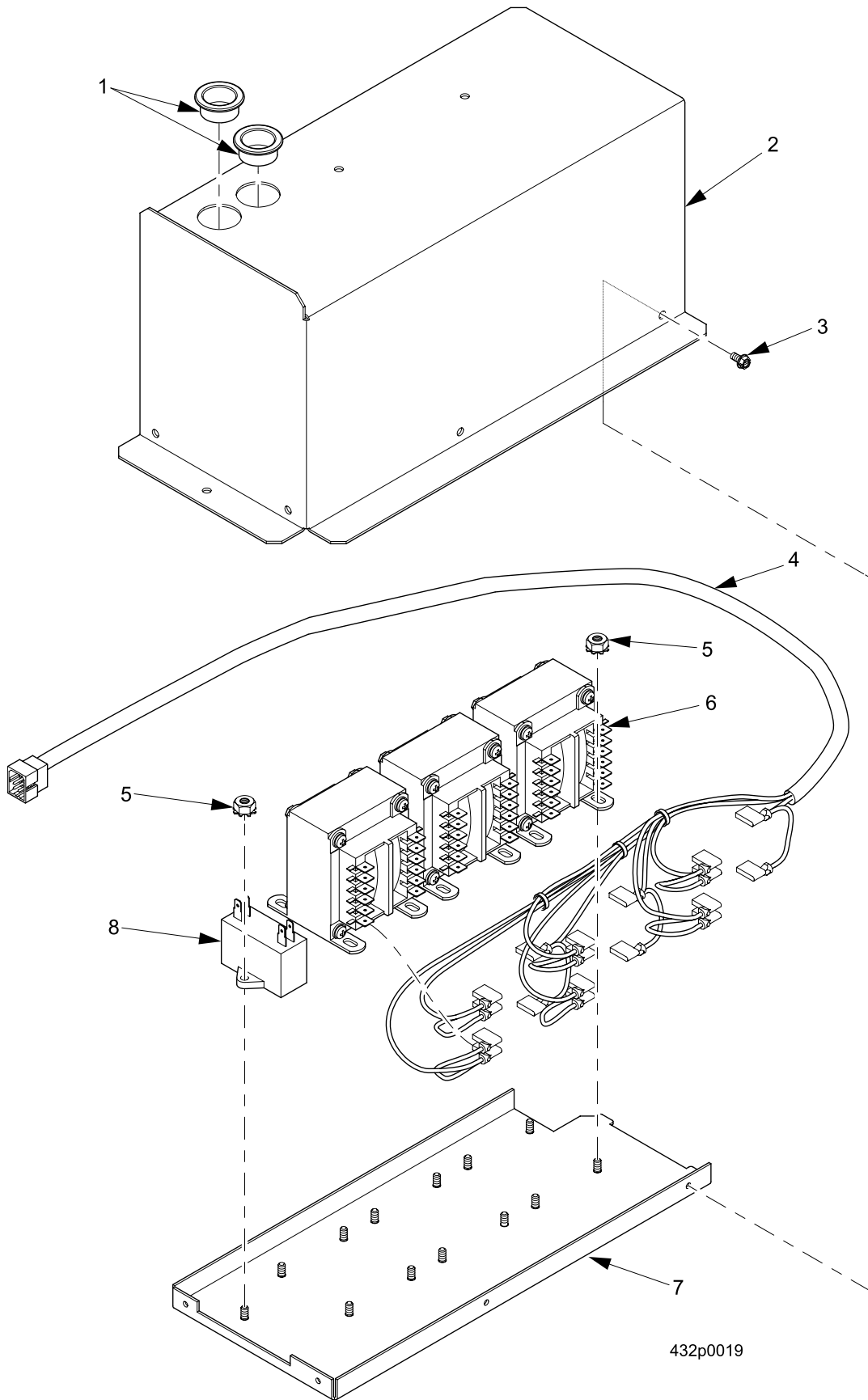


FIGURE 37: POWER PANEL ASSEMBLY - REAR - DOMESTIC - (115V)

TABLE 37: POWER PANEL ASSEMBLY - REAR - DOMESTIC (115V)

| INDEX | PART NUMBER | DESCRIPTION | QTY |
|-------|-------------|----------------------------------|-----|
| -- | 4321078 | POWER PANEL ASSEMBLY - REAR | -- |
| 1 | 3106155 | BUSHING #SB1000-12 | 2 |
| 2 | 4321129 | COVER - CONTROL - POWER - REAR | 1 |
| 3 | 1451097 | SCREW - #8-32X.31 HEX HD.TF - BL | 4 |
| 4 | 4329005 | HARNESS - TRANSFORMERS | 1 |
| 5 | 9900081 | NUT #8-32 KEPS ZINC PLATE | 13 |
| 6 | 9989046 | 24V XFMR - DUAL PIR.-.187 TERM | 3 |
| 7 | 4321130 | PANEL - CONTROL - POWER | 1 |
| 8 | 9988210 | CAPACITOR - MOTOR RUN - 10UF | 1 |

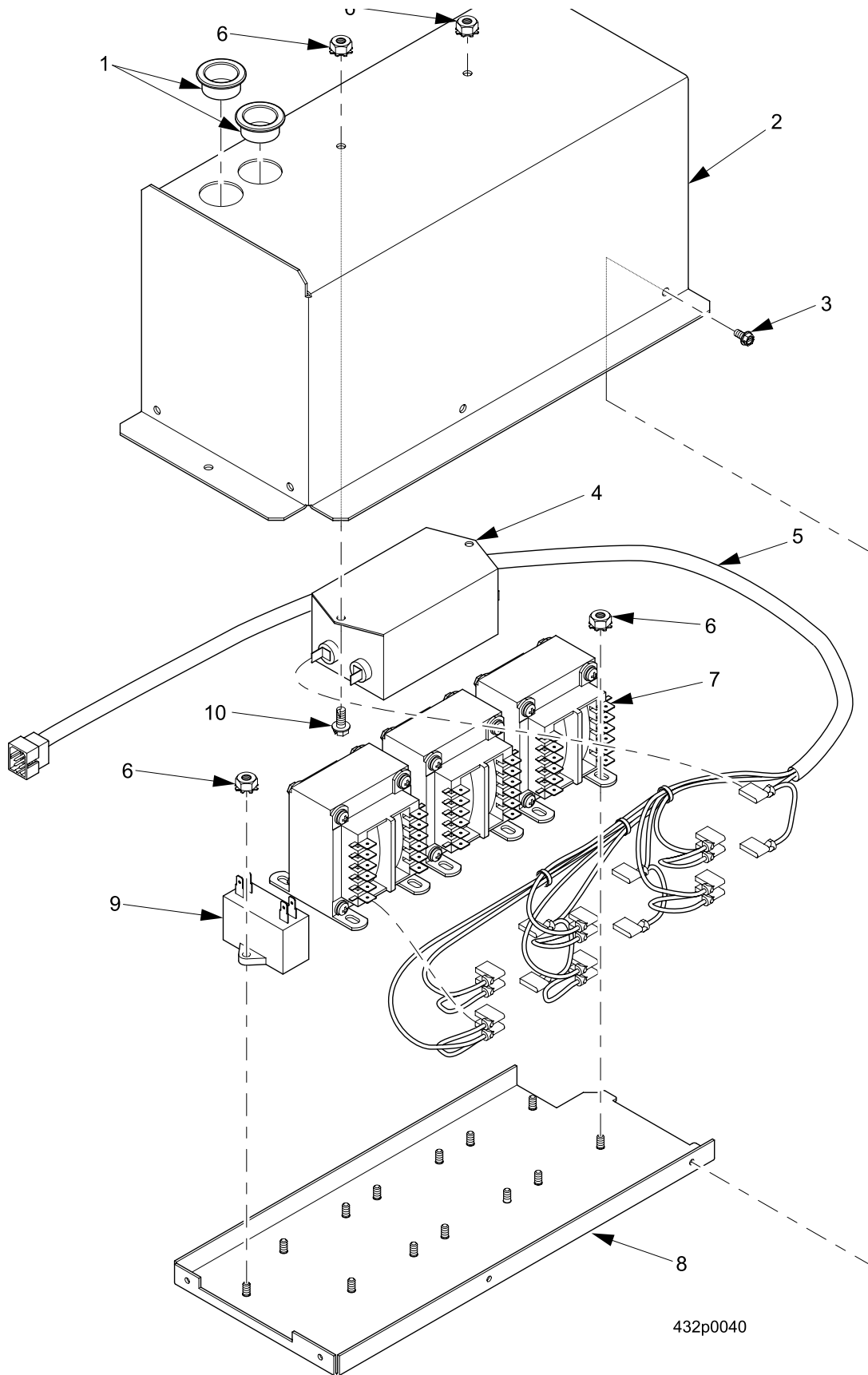


FIGURE 38: POWER PANEL ASSEMBLY - REAR - INTERNATIONAL - (230V)

TABLE 38: POWER PANEL ASSEMBLY - REAR - INTERNATIONAL (230V)

| INDEX | PART NUMBER | DESCRIPTION | QTY |
|-------|-------------|----------------------------------|-----|
| -- | 4321176 | POWER PANEL ASSEMBLY - REAR | -- |
| 1 | 3106155 | BUSHING #SB1000-12 | 2 |
| 2 | 4321129 | COVER - CONTROL - POWER - REAR | 1 |
| 3 | 1451097 | SCREW - #8-32X.31 HEX HD.TF-BL | 4 |
| 4 | 9989120 | FILTER-POWER LINE-EMI | 1 |
| 5 | 4329005 | HARNESS - TRANSFORMERS | 1 |
| 6 | 9900081 | NUT #8-32 KEPS ZINC PLATE | 15 |
| 7 | 9989046 | 24V XFMR - DUAL PIR. - .187 TERM | 3 |
| 8 | 4321130 | PANEL - CONTROL - POWER | 1 |
| 9 | 9988211 | CAPACITOR - MOTOR RUN - 2.5UF | 1 |
| 10 | 9900019 | SCREW - #8-32 X 3/8 RHS | 2 |

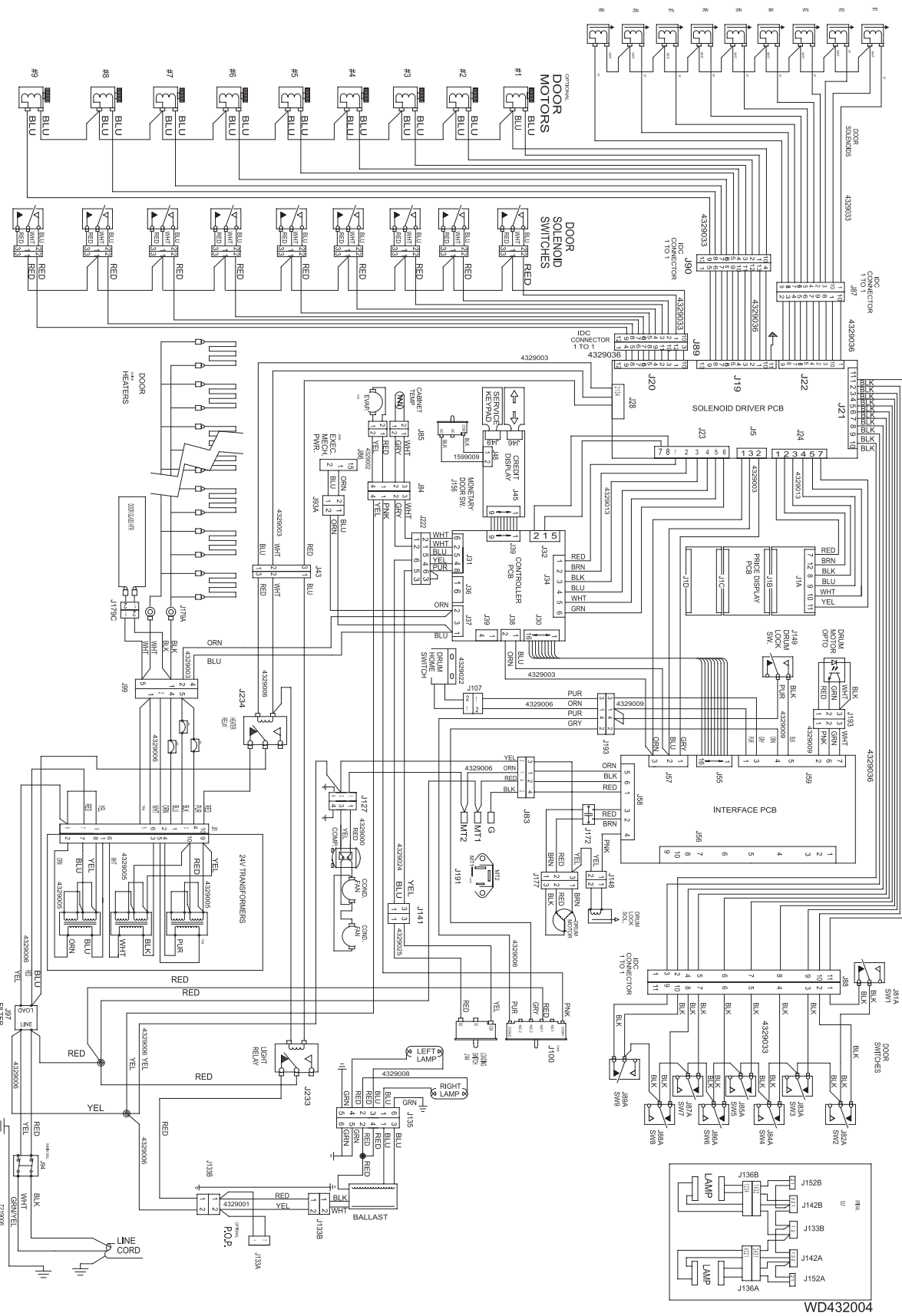


FIGURE 39: SHOPPER WIRING DIAGRAM - DOMESTIC - (115V)

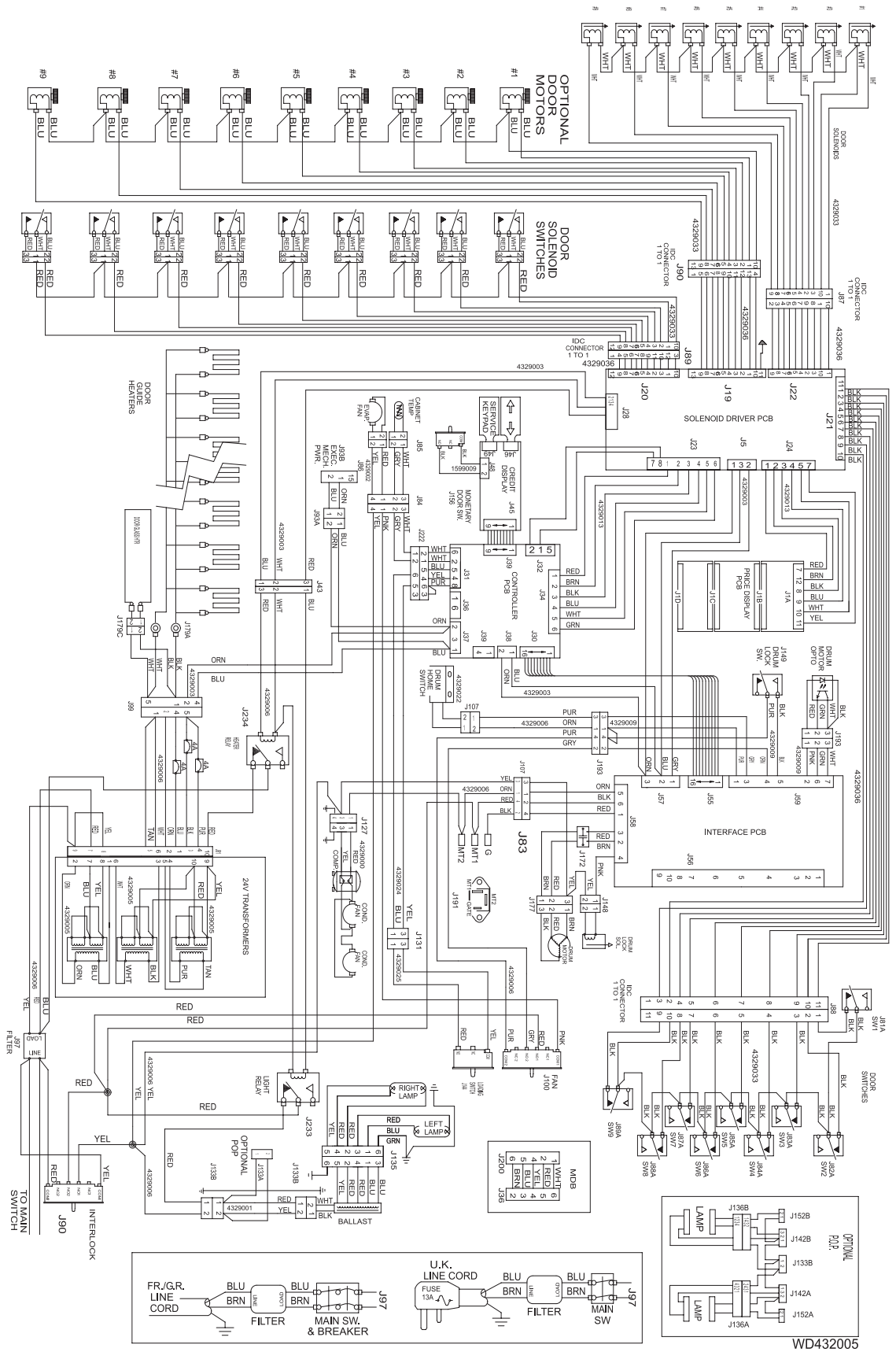


FIGURE 40: SHOPPER WIRING DIAGRAM - INTERNATIONAL - (230V)

WD4329006 - HARNESS - POWER PANEL

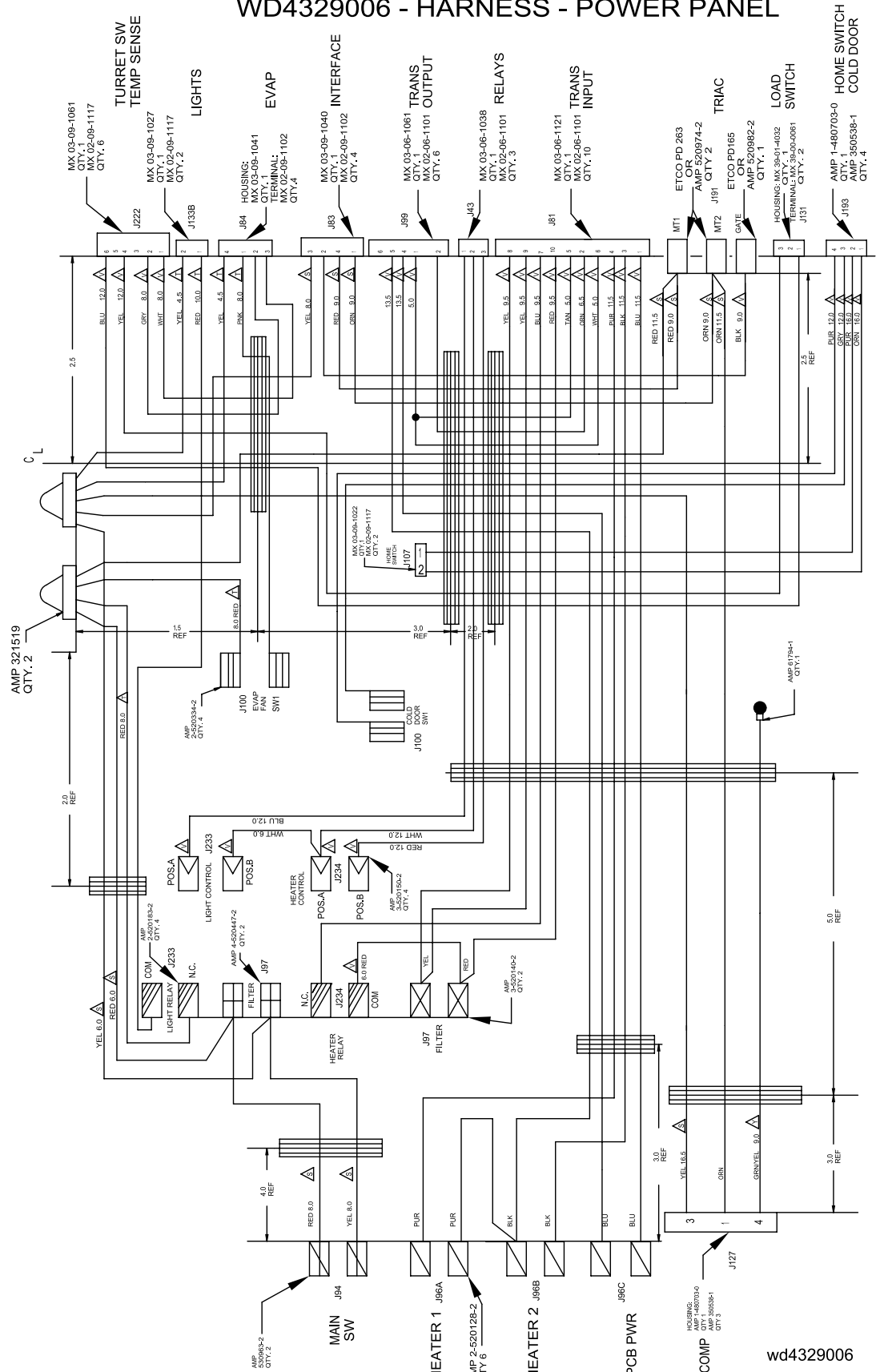


FIGURE 41: HARNESS DIAGRAM - POWER PANEL

wd4329006

TABLE 39: 432 HARNESS LIST

| PART NUMBER | DESCRIPTION |
|-------------|-------------------------------------|
| 1579009 | JUMPER - MONETARY DOOR SWITCH |
| 1579018 | HARNESS - DATA PRINTER INTERFACE |
| 1599200 | HARNESS - CONTROL TO DISPLAY |
| 1679005 | FLUORESCENT LIGHT FILTER - 120/230V |
| 1679054 | HARNESS - "MDB" COIN & VALIDATOR |
| 1679056 | HARNESS - DEX INTERFACE |
| 4279001 | JUMPER - 230V - XFMR PRIMARY |
| 4329000 | HARNESS - COMPRESSOR |
| 4329001 | HARNESS - LAMP TO POWER PANEL |
| 4329003 | HARNESS - POWER PANEL TO PCB |
| 4329005 | HARNESS - TRANSFORMERS |
| 4329006 | HARNESS - POWER PANEL |
| 4329008 | HARNESS - LAMP TO BALLAST |
| 4329009 | HARNESS - CABINET DC |
| 4329010 | HARNESS - POP - BALLAST (NOT SHOWN) |
| 4329012 | HARNESS - DOOR AC |
| 4329013 | HARNESS - PRICE DISPLAY |
| 4329015 | HARNESS - POWER PANEL - 230V |
| 4329018 | HARNESS - 24V TEMP & SWITCH |
| 4329019 | HARNESS - POP LAMP |
| 4329024 | JUMPER - TURRET SWITCH |
| 4329025 | HARNESS - TURRET SWITCH |
| 4329032 | CABLE ASSEMBLY - 16 CONDUCTOR |
| 4329033 | HARNESS - VEND DOOR |
| 4329035 | JUMPER SWITCH & SOLENOID |
| 7219018 | HARNESS - POWER CORD TO PANEL |

TABLE 40: BAG ASSEMBLY: 15 - B4320000 (115V)

| PART NUMBER | DESCRIPTION | QTY |
|--------------------|--|------------|
| WD432002 | WIRING DIAGRAM - 432 SHOPPER - (115V) | 1 |
| 1470041 | PLASTIC BAG | 1 |
| 1475094 | LABEL - INSTRUCTIONS - ALT \$1 & \$5 - EXT | 1 |
| 4320003 | OPERATORS GUIDE - SHOPPERTRON | 1 |
| 4322193 | SCREW-#6-19 X .31 TMPR.PRF EA | 4 |
| 4322194 | TORX T-15 TAMPER - PROOF SCREWDRIVER BIT | 1 |
| 4329011 | LIST - WIRE HARNESSSES | 1 |
| 4322226 | STOP - VEND-DOOR | 4 |

TABLE 41: BAG ASSEMBLY: 15 - B4320001 (230V)

| PART NUMBER | DESCRIPTION | QTY |
|--------------------|--|------------|
| WD432003 | W.D. - 432 SHOPPER - (230V) | 1 |
| 1470041 | PLASTIC BAG | 1 |
| 1475094 | LABEL - INSTRUCTIONS - ALT \$1 & \$5 - EXT | 1 |
| 4320003 | OPERATORS GUIDE - SHOPPERTRON | 1 |
| 4322193 | SCREW-#6-19 X .31 TMPR.PRF EA | 4 |
| 4322194 | TORX T-15 TAMPER - PROOF SCREWDRIVER BIT | 1 |
| 4329011 | LIST - WIRE HARNESSSES | 1 |
| 4322226 | STOP - VEND-DOOR | 4 |

Shopper Parts Manual

Part Number Index

| Part Number | Page | Part Number | Page | Part Number | Page |
|-------------|---|-------------|------------|-------------|--------------------|
| 1101906 | 67 | 3128092 | 59 | 4321004 | 55 |
| 1127808 | 65, 69 | 3151058 | 11 | 4321012 | 53, 55 |
| 1141043 | 53 | 3153046 | 61 | 4321013 | 55 |
| 1141046 | 27 | 3157060 | 9, 45 | 4321015 | 55 |
| 1141054 | 29 | 3502078 | 27 | 4321016 | 53, 55 |
| 1211104 | 29 | 3502097 | 11 | 4321017 | 55 |
| 1211105 | 29, 49, 51, 53 | 4031248 | 9 | 4321020 | 55 |
| 1211109 | 71, 73 | 4241165 | 13 | 4321023 | 53 |
| 1211141 | 71, 73 | 4242145 | 5 | 4321044 | 53 |
| 1212140 | 41 | 4244009 | 47 | 4321061 | 53 |
| 1236050 | 53, 55 | 4245083 | 57 | 4321063 | 7 |
| 1437204 | 27, 59 | 4271062 | 11, 43 | 4321078 | 75 |
| 1451097 | 3, 7, 9, 11, 13, 27, 29, 37, 39, 41, 43, 45, 59, 67, 75, 77 | 4271080 | 51 | 4321084 | 33 |
| 1452139 | 9, 43 | 4272060 | 61 | 4321085 | 33 |
| 1470041 | 82 | 4274000 | 47, 49, 51 | 4321089 | 53 |
| 1470761 | 67 | 4279001 | 81 | 4321104 | 53 |
| 1471098 | 33 | 4301039 | 33 | 4321106 | 41, 43 |
| 1471199 | 13 | 4301045 | 33 | 4321107 | 43 |
| 1471237 | 33 | 4301254 | 55 | 4321114 | 41, 43 |
| 1472132 | 15, 17, 19, 21, 23, 25 | 4301285 | 7 | 4321116 | 43 |
| 1475094 | 82 | 4301353 | 41 | 4321118 | 67 |
| 1571113 | 69 | 4301364 | 45 | 4321123 | 67 |
| 1571161 | 35 | 4301375 | 41, 43, 45 | 4321124 | 55 |
| 1572224 | 61 | 4301394 | 41 | 4321129 | 75, 77 |
| 1572242 | 7, 13, 15, 17, 19, 21, 23, 27, 31 | 4301395 | 41 | 4321130 | 75, 77 |
| 1572397 | 29 | 4302039 | 27 | 4321131 | 71 |
| 1572450 | 27 | 4302166 | 61 | 4321150 | 33 |
| 1575003 | 61 | 4302191 | 7 | 4321156 | 33 |
| 1575076 | 59 | 4302316 | 45 | 4321158 | 67 |
| 1579009 | 59, 81 | 4304076 | 47 | 4321159 | 55 |
| 1579018 | 81 | 4304092 | 47, 51 | 4321166 | 53, 55 |
| 1599200 | 81 | 4304236 | 49 | 4321167 | 71 |
| 1671041 | 61 | 4307024 | 29, 41 | 4321168 | 15, 17, 21, 23, 61 |
| 1675006 | 63 | 4307029 | 41 | 4321171 | 55 |
| 1679005 | 11, 81 | 4307032 | 39 | 4321172 | 53 |
| 1679054 | 81 | 4311068 | 33 | 4321173 | 53 |
| 1679056 | 81 | 4311071 | 35 | 4321175 | 55 |
| 2204093 | 43, 65, 69 | 4311076 | 45 | 4321176 | 77 |
| 2204513 | 47 | 4311082 | 45 | 4321178 | 73 |
| 2221049 | 7 | 4311096 | 7 | 4321185 | 41, 45 |
| 2221920 | 67 | 4311190 | 35 | 4321186 | 45 |
| 2222095 | 11 | 4311225 | 37, 39 | 4321191 | 43 |
| 2222603 | 67 | 4311237 | 41 | 4321192 | 43 |
| 2222604 | 67 | 4311252 | 45 | 4321194 | 73 |
| 2228011 | 65, 69 | 4311253 | 45 | 4321198 | 43 |
| 2302053 | 59, 61 | 4312213 | 7 | 4321199 | 43 |
| 2342315 | 9, 11 | 4312215 | 3, 7 | 4321201 | 41, 43 |
| 2366055 | 7, 15, 17, 57 | 4312216 | 45 | 4321207 | 43 |
| 2366135 | 73 | 4312217 | 41, 43 | 4322002 | 7 |
| 3106155 | 75, 77 | 4314055 | 47, 49, 51 | 4322003 | 7 |
| 3122056 | 69 | 4319008 | 11 | 4322005 | 5 |
| | | 4320003 | 82 | 4322007 | 5 |
| | | 4321001 | 41 | 4322010 | 5 |
| | | 4321002 | 41, 43 | 4322013 | 7, 15, 17 |

Part Number Index

Shopper Parts Manual

| Part Number | Page | Part Number | Page | Part Number | Page |
|-------------|------------------------|-------------|----------------|-------------|--------------------|
| 4322034 | 7 | 4322194 | 82 | 4325070 | 57 |
| 4322035 | 27 | 4322196 | 15, 17 | 4325071 | 61 |
| 4322051 | 15, 17, 19, 21, 23 | 4322197 | 17 | 4325072 | 59 |
| 4322056 | 27 | 4322198 | 7, 15, 17 | 4325073 | 59 |
| 4322059 | 7 | 4322214 | 15, 17, 19 | 4325075 | 59 |
| 4322065 | 9 | 4322218 | 9 | 4325077 | 59 |
| 4322066 | 9 | 4322224 | 25 | 4325082 | 61 |
| 4322067 | 3 | 4322225 | 25 | 4325083 | 57, 59 |
| 4322070 | 3 | 4322226 | 17, 19, 23, 82 | 4325084 | 59 |
| 4322071 | 3 | 4322232 | 9 | 4325088 | 3, 57 |
| 4322072 | 11 | 4322233 | 27 | 4325089 | 61 |
| 4322074 | 3 | 4322235 | 15, 17 | 4325091 | 59 |
| 4322075 | 7 | 4322241 | 3 | 4325105 | 57 |
| 4322076 | 7 | 4324000 | 47, 51 | 4325107 | 59 |
| 4322081 | 7 | 4324001 | 47, 51 | 4325117 | 29 |
| 4322087 | 3 | 4324003 | 47, 49 | 4325118 | 29 |
| 4322090 | 31 | 4324004 | 47, 49, 51 | 4325121 | 29 |
| 4322091 | 7 | 4324009 | 51 | 4325122 | 29 |
| 4322100 | 17, 23 | 4324010 | 51 | 4325124 | 63 |
| 4322101 | 3, 57 | 4324012 | 49, 51 | 4325125 | 27 |
| 4322102 | 3 | 4324013 | 49, 51 | 4325126 | 63 |
| 4322106 | 9 | 4324014 | 47, 49 | 4325130 | 65 |
| 4322107 | 9 | 4324016 | 49 | 4325131 | 27 |
| 4322113 | 3, 29, 57, 63 | 4324022 | 49 | 4325132 | 13 |
| 4322114 | 3 | 4324023 | 49 | 4325133 | 13 |
| 4322116 | 21, 23 | 4324027 | 47 | 4325142 | 61 |
| 4322128 | 27 | 4324029 | 49 | 4325144 | 29 |
| 4322130 | 25 | 4324030 | 47 | 4325145 | 29 |
| 4322133 | 15, 17, 19, 21, 23 | 4324037 | 51 | 4325146 | 29 |
| 4322136 | 15, 17, 19, 21, 23 | 4324038 | 53 | 4325151 | 29 |
| 4322137 | 7 | 4324039 | 53 | 4325152 | 57, 61 |
| 4322138 | 15, 17, 19 | 4324040 | 67 | 4325153 | 57 |
| 4322141 | 25 | 4324041 | 53 | 4326000 | 15, 17, 19, 21, 23 |
| 4322145 | 5 | 4325000 | 59, 61, 65 | 4326005 | 13 |
| 4322147 | 31 | 4325004 | 59, 61, 63 | 4326007 | 7 |
| 4322148 | 21, 23 | 4325005 | 69 | 4326009 | 31 |
| 4322152 | 7 | 4325013 | 3, 29, 57, 63 | 4326015 | 13 |
| 4322155 | 25 | 4325033 | 61 | 4326016 | 13 |
| 4322156 | 9 | 4325034 | 59 | 4327001 | 37, 41 |
| 4322157 | 9 | 4325037 | 3, 57 | 4327002 | 39 |
| 4322158 | 15, 17, 19, 21, 23, 25 | 4325038 | 3, 57 | 4327007 | 39 |
| 4322160 | 15 | 4325050 | 61 | 4327010 | 37 |
| 4322161 | 21 | 4325051 | 61 | 4327014 | 41 |
| 4322162 | 17 | 4325052 | 57, 59, 61 | 4327019 | 27 |
| 4322163 | 23 | 4325057 | 13, 63 | 4327020 | 41 |
| 4322164 | 19 | 4325058 | 13, 63 | 4327023 | 37 |
| 4322166 | 11 | 4325061 | 61 | 4327024 | 37 |
| 4322169 | 9 | 4325062 | 61 | 4327025 | 37 |
| 4322171 | 9 | 4325063 | 61 | 4327026 | 37 |
| 4322172 | 9 | 4325064 | 3, 57 | 4327031 | 39 |
| 4322175 | 59, 61 | 4325065 | 57 | 4327032 | 37 |
| 4322179 | 11 | 4325066 | 57 | 4327034 | 41, 43 |
| 4322182 | 11 | 4325067 | 57 | 4327037 | 45 |
| 4322193 | 17, 19, 23, 82 | 4325068 | 27 | 4327039 | 39 |

| Part Number | Page | Part Number | Page | Part Number | Page |
|-------------|------------|-------------|-------------|-------------|--|
| 4327040 | 39 | 4552121 | 7 | 9900019 | 77 |
| 4327041 | 37, 39 | 4552122 | 7 | 9900065 | 25 |
| 4327042 | 39 | 4552371 | 3 | 9900078 | 45, 71, 73 |
| 4327043 | 39 | 4555155 | 57 | 9900081 | 27, 43, 49, 57, 59, 61, 65, 69, 71, 73, 75, 77 |
| 4327044 | 39 | 4721035 | 49, 53 | 9900092 | 39 |
| 4327045 | 39 | 4727069 | 7 | 9900098 | 35 |
| 4327047 | 37 | 4741050 | 29, 65 | 9900106 | 69 |
| 4327048 | 39 | 4747171 | 3, 7, 9, 57 | 9900107 | 45 |
| 4327052 | 41 | 4774122 | 47, 51 | 9900160 | 43, 61 |
| 4327053 | 45 | 5004473 | 43 | 9900164 | 45 |
| 4327054 | 45 | 5262345 | 57 | 9900177 | 45 |
| 4327055 | 45 | 5277437 | 41 | 9900205 | 43 |
| 4327059 | 37 | 5900210 | 69 | 9900218 | 33 |
| 4327061 | 37 | 5900213 | 69 | 9900219 | 9 |
| 4327062 | 45 | 5900243 | 69 | 9900409 | 63 |
| 4327063 | 45 | 5900247 | 69 | 9900425 | 13, 29 |
| 4327064 | 45 | 5900269 | 69 | 9900437 | 41, 43 |
| 4329000 | 81 | 5900270 | 69 | 9983778 | 71, 73 |
| 4329001 | 11, 81 | 5900299 | 69 | 9984095 | 45 |
| 4329003 | 81 | 5900303 | 69 | 9984629 | 71, 73 |
| 4329005 | 75, 77, 81 | 5900307 | 69 | 9984634 | 25, 45 |
| 4329006 | 81 | 5900310 | 69 | 9985887 | 55 |
| 4329008 | 9, 81 | 5900311 | 69 | 9987852 | 55 |
| 4329009 | 81 | 5900312 | 69 | 9988210 | 75 |
| 4329010 | 11, 81 | 5900313 | 69 | 9988211 | 77 |
| 4329011 | 82 | 6104216 | 45 | 9989046 | 75, 77 |
| 4329012 | 81 | 6104411 | 45 | 9989100 | 71, 73 |
| 4329013 | 81 | 6111041 | 59 | 9989120 | 77 |
| 4329014 | 9 | 6112042 | 45 | 9989560 | 53 |
| 4329015 | 81 | 6138181 | 45 | 9989576 | 53 |
| 4329017 | 9 | 6231034 | 7 | 9989674 | 71, 73 |
| 4329018 | 81 | 6231037 | 69 | 9989677 | 71, 73 |
| 4329019 | 11, 81 | 6232028 | 5 | 9989781 | 53 |
| 4329021 | 9 | 6232036 | 5 | 9989883 | 29 |
| 4329022 | 41 | 6233021 | 29 | | |
| 4329024 | 81 | 6233028 | 29 | | |
| 4329025 | 81 | 6234295 | 43 | | |
| 4329032 | 81 | 6262021 | 29 | | |
| 4329033 | 25, 81 | 6332009 | 11 | | |
| 4329035 | 81 | 6335002 | 59 | | |
| 4363031 | 15, 17 | 6401052 | 51 | | |
| 4364034 | 47, 49 | 6404034 | 13, 63 | | |
| 4364043 | 47 | 6732034 | 11 | | |
| 4551153 | 35 | 7214014 | 47, 51 | | |
| 4551154 | 35 | 7214082 | 53 | | |
| 4552032 | 31 | 7219018 | 81 | | |
| | | | | B | |
| | | | | B4320000 | 82 |
| | | | | B4320001 | 82 |
| | | | | G | |
| | | | | G1472027 | 9, 11 |
| | | | | W | |
| | | | | WD432002 | 82 |
| | | | | WD432003 | 82 |

| <u>Part Number</u> | <u>Page</u> | <u>Part Number</u> | <u>Page</u> | <u>Part Number</u> | <u>Page</u> |
|--------------------|-------------|--------------------|-------------|--------------------|-------------|
|--------------------|-------------|--------------------|-------------|--------------------|-------------|
