

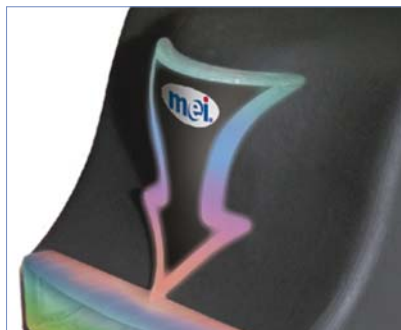
MEI CASHFLOW® VN2700 Bill Validator



Feature-rich improved platform

- Validates \$1 – \$20
- Recycler ready – Future proof your investment
- Improved sensors/security
- Attract more attention with optional high-visibility bezel
- Series 2000 proven reliability

Uses series 2000 bill validator technology, the industry's best-selling product with over two million units sold.



High-visibility bezel option
strokes through a wide range of colors



Recycler ready:
The VN2700 bill validator is field upgradable with recycler module

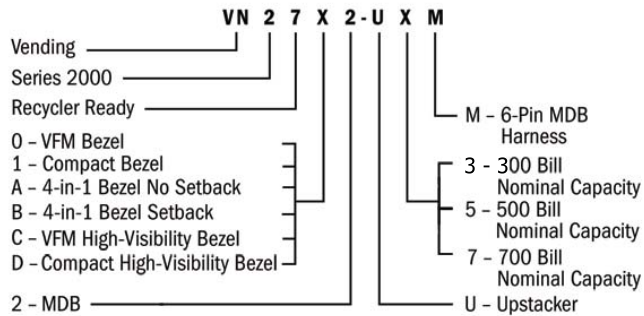
mei | cashflow®
series 2000

www.meigroup.com

MEI CASHFLOW® VN2700 Bill Validator

VN 2700 CONFIGURATION AND OPTIONS

VN 2700 Model Configuration Sample



VN 2700 Options/Accessories

Part Number	Description
250066027	Series 2000 Locking Hasp Kit (two per box)
250061038	Armored Bezel



Options can be easily customized on location via a simple-to-use configuration coupon.

VN 2700 BILL ACCEPTOR SPECIFICATIONS

Acceptance Rate

- 95% or greater for \$1, \$2, \$5, \$10 and \$20 U.S. bills

Bill Insertion

- Lengthwise, four-way (face up or down, either direction)

Transaction Speed

- Approximately 4 seconds (from bill insertion to completed bill-stacking)

Interfaces

- MDB

Power Sources

- 22 to 45 VDC

Power Consumption (without recycler)

- Standby: 5 Watts
- Acceptance: 10 Watts
- Full Stack Max: 20 Watts

Escrow Supported

Approximate Shipping Weight

- 4 pounds

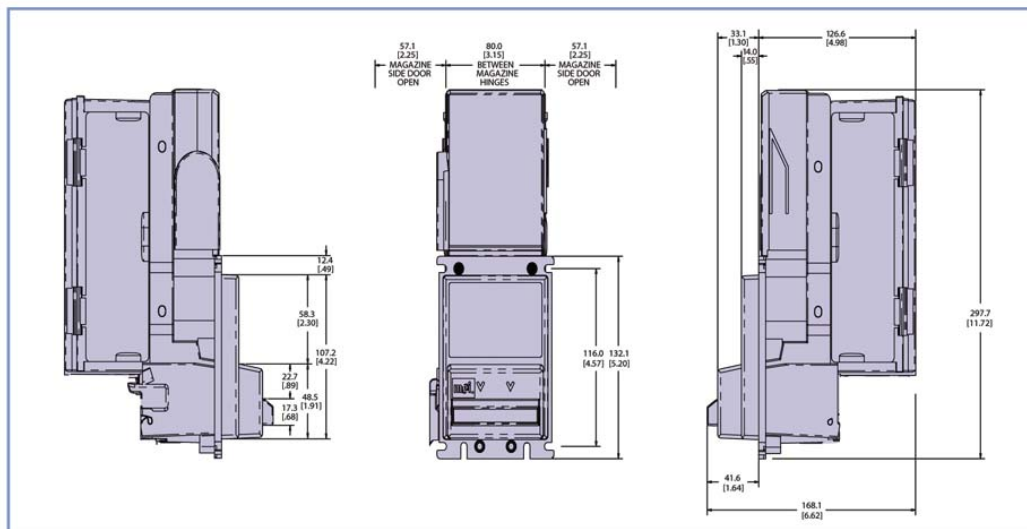
Environment

- Operating temperature: -15° C to 60° C
- Storage temperature: -40° C to 70° C



The MEI coupon program provides custom and generic coupons for free vends or dollar-value vends.

VN 2700 WITH COMPACT BEZEL



The fully enclosed, optical sensors ensure consistent, high-quality recognition, security and value.

The MEI Device and MEI CASHFLOW are trademarks of MEI. Information is subject to change without notice. MEI has made every effort to ensure that the information in this document is accurate. However, we cannot be held responsible for any errors or omissions.

© 2009 MEI. All rights reserved. 5/09 R1

MEI Corporate Headquarters
1301 Wilson Drive
West Chester, Pennsylvania 19380
1-610-430-2700
1-800-345-8215

mei
www.meigroup.com

FSC Mixed Sources
Cert no SW-COC-002607
© 1996 FSC

MEI is ISO 9001:2000 Certified