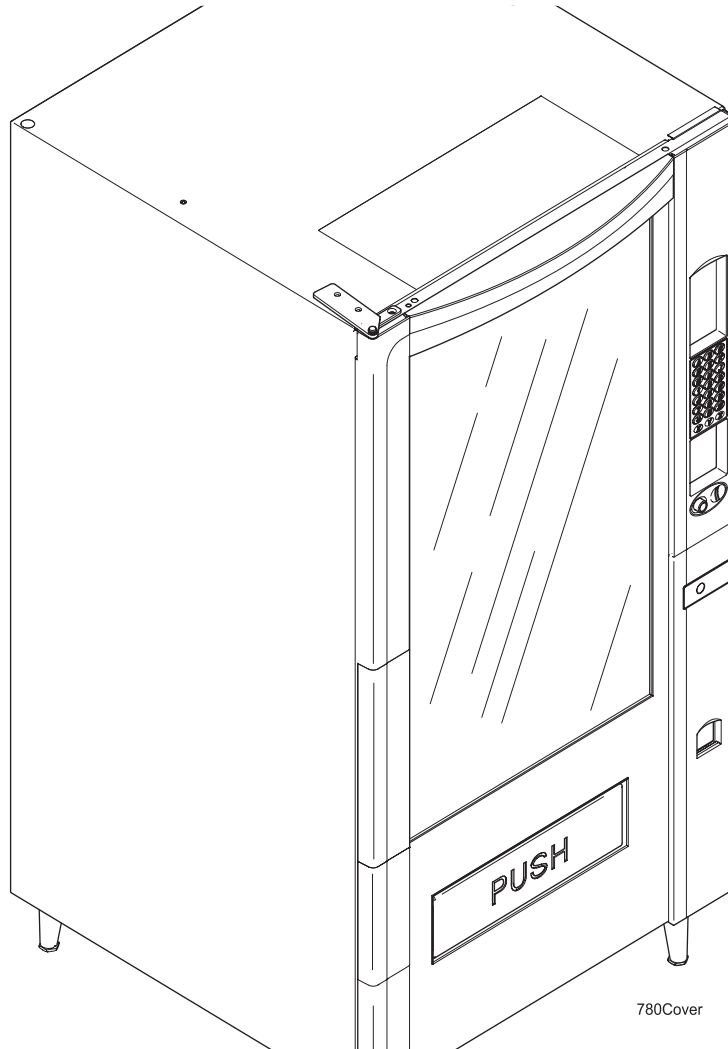


7800026

Models 780



Refreshment Center 1



780Cover

PARTS MANUAL

This machine has been engineered to our own rigid safety and performance requirements and manufactured in accordance with the safety standards of Underwriters Laboratories (UL) and the Canadian Standards Association (CSA). It has been designed to comply with the National Automatic Merchandising Association (NAMA) "Standard for the Sanitary Design and Construction of Food and Beverage Vending Machines".

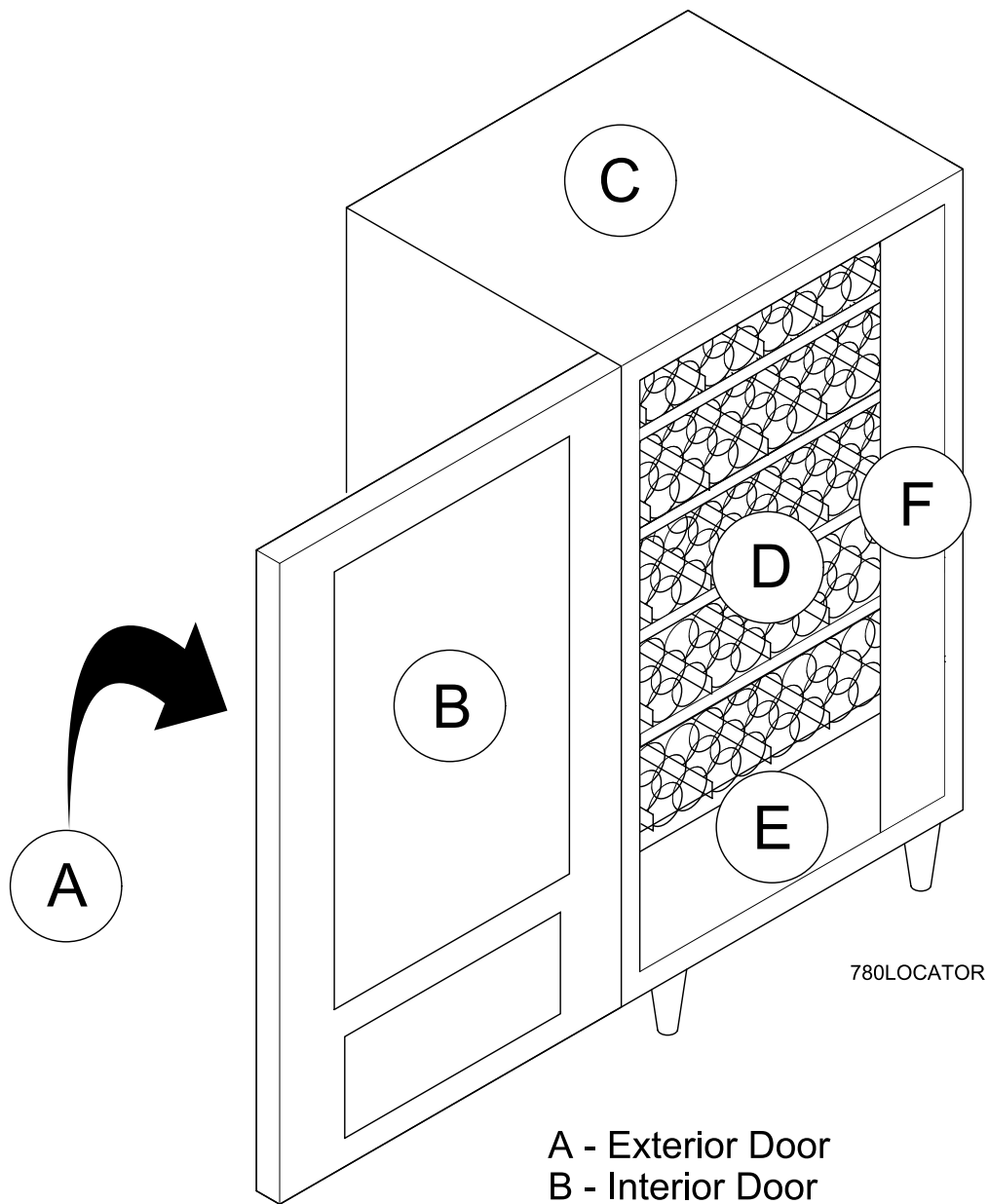
To maintain this degree of safety and to continue to achieve the level of performance built into this machine, it is important that installation and maintenance be performed so as to not alter the original construction or wiring and that replacement parts are as specified in the Parts Manual. Your investment in this equipment will be protected by using this Operators' Guide and the Parts Manual in your operation, service and maintenance work. By following prescribed procedures, machine performance and safety will be preserved.

LIST OF FIGURES

Section A: Exterior of door	2
FIGURE 1 Exterior door Assy	2
FIGURE 2 Button Array Assy	4
Section B: Interior of door	6
FIGURE 3 Interior Door Assy.....	6
FIGURE 4 Light Bracket Assy.....	8
FIGURE 5 Lock Handle Assy.....	10
FIGURE 6 Coin Cup	12
FIGURE 7 Delivery Bin (1 of 4).....	14
FIGURE 8 Delivery Bin (2 of 4).....	16
FIGURE 9 Delivery Bin (3 of 4).....	18
FIGURE 10 Delivery Bin (4 of 4).....	20
FIGURE 11 SureVend	22
Section C: Cabinet	24
FIGURE 12 Cabinet Assy	24
FIGURE 13 Cash Box Lock	26
FIGURE 14 Door Hinge	28
FIGURE 15 Lighting Channel	30
FIGURE 16 Evaporator Fan Assy.....	32
FIGURE 17 Dual Zone Components	34
FIGURE 18 Cabinet Legs	36
FIGURE 19 Base Plate	38
Section D: Trays	40
FIGURE 20 Snack Tray Assy	40
FIGURE 21 Snack Tray Assy - Rear	42
FIGURE 22 Candy Tray Assy	44
FIGURE 23 Candy Tray - Rear	46
FIGURE 24 Bottle Tray	48
FIGURE 25 Bottle Tray - Rear	50
Section E: Refrigeration	54
FIGURE 26 Evaporator Pan Assy	54
FIGURE 27 Refrigeration Assy (1 of 2).....	56
FIGURE 28 Refrigeration Assy (2 of 2)	58
Section F: Monetary and electronics	60
FIGURE 29 Monetary Assy.....	60
FIGURE 30 PCB Housing	62
FIGURE 31 Coin Mech Bracket.....	64
FIGURE 32 Card Reader and Bill Validator Combinations.....	66
FIGURE 33 Power Panel Assy	69

TABLE OF CONTENTS

Section A: Exterior of door	2
TABLE 1 Exterior Door	3
TABLE 2 Button Array Assy.....	5
Section B: Interior of door	6
TABLE 3 Interior Door Assy.....	7
TABLE 4 Light Bracket Assy.....	9
TABLE 5 Lock Handle Assy.....	11
TABLE 6 Coin Cup	13
TABLE 7 Delivery Bin (1 of 4).....	15
TABLE 8 Delivery Bin (2 of 4).....	17
TABLE 9 Delivery Bin (3 of 4).....	19
TABLE 10 Delivery Bin (4 of 4)	21
TABLE 11 SureVend	23
Section C: Cabinet	24
TABLE 12 Cabinet Assy	25
TABLE 13 Cash Box Lock	27
TABLE 14 Door Hinge	29
TABLE 15 Lighting Channel)	31
TABLE 16 Evaporator Fan Assy	33
TABLE 17 Dual Zone Components	35
TABLE 18 Cabinet Legs	37
TABLE 19 Base Plate.....	39
Section D: Trays	40
TABLE 20 Snack Tray Assy	41
TABLE 21 Snack Tray Assy - Rear	43
TABLE 22 Candy Tray Assy	45
TABLE 23 Candy Tray Rear	47
TABLE 24 Bottle Tray	49
TABLE 25 Bottle Tray - Rear	51
Section E: Refrigeration	54
TABLE 26 Evaporator Pan Assy	55
TABLE 27 Refrigeration Assy (1 of 2)	57
TABLE 28 Refrigeration Assy (2 of 2)	59
Section F: Monetary and electronics	60
TABLE 29 Monetary Assy	61
TABLE 30 PCB Housing	63
TABLE 31 Coin Mech Bracket.....	65
TABLE 32 Card Reader and Bill Validator Combinations	67
TABLE 33 Power Panel Assy	70
TABLE 34 Harnesses	70



- A - Exterior Door
- B - Interior Door
- C - Cabinet
- D - Trays
- E - Refrigeration
- F - Monetary and Electronics

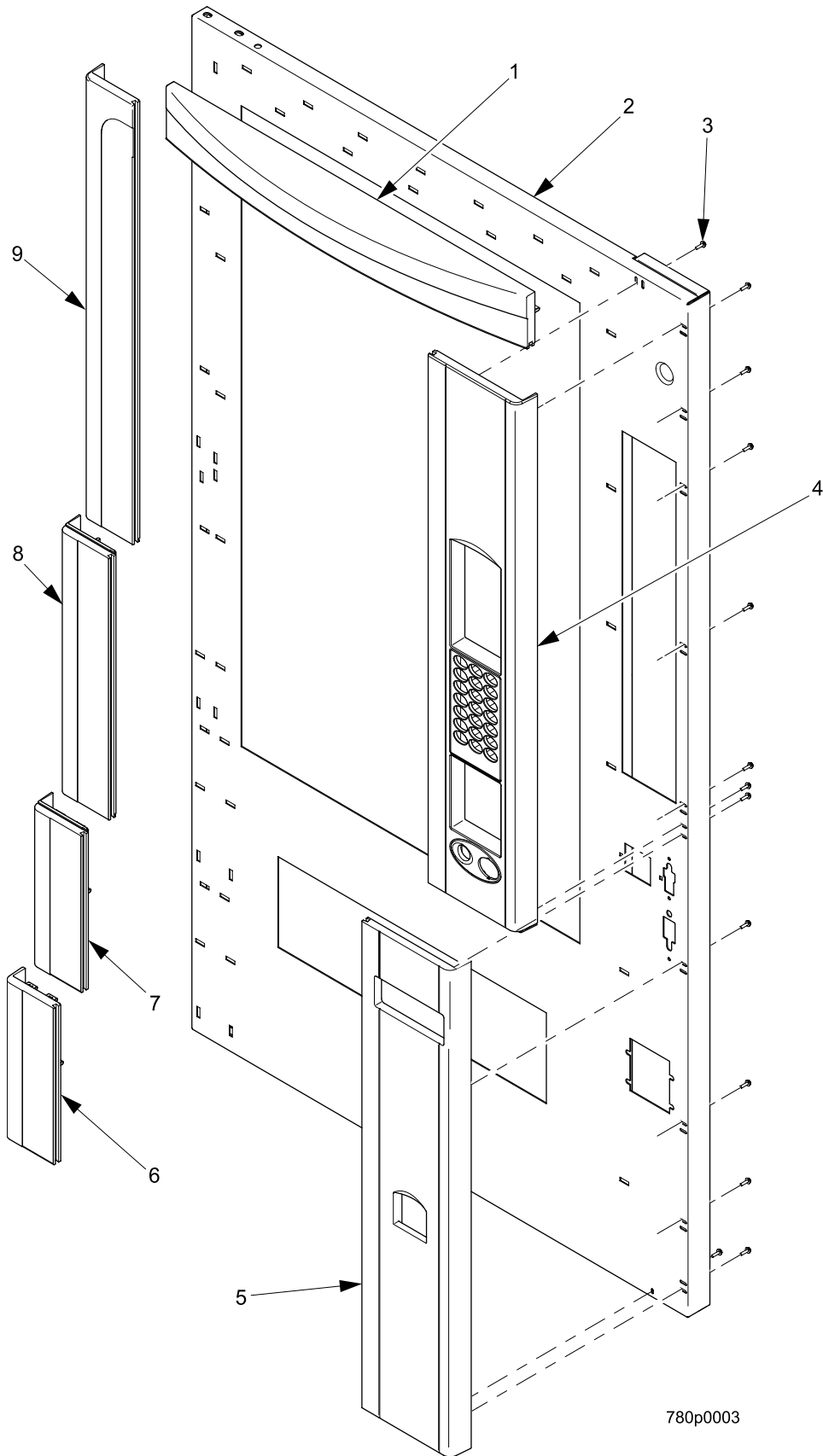


FIGURE 1: EXTERIOR DOOR ASSY

TABLE 1: EXTERIOR DOOR

INDEX	PART NUMBER	DESCRIPTION	QTY
1	7802053	TRIM ASSY-TOP-BLACK	1
2	7802001	WELD ASSY-DOOR-T. BLACK	1
3	1572269	SCREW-#6-19 X .50 HEX W/HD.-TF	13
4	7802059	TRIM ASSY-R.H.-UPPER-BLACK	1
5	7802060	TRIM ASSY-R.H.-LOWER -BLACK	1
6	7802057	TRIM ASSY-L.H.-BOTTOM-BLACK	1
7	7802056	TRIM ASSY-L.H.-LOWER-BLACK	1
8	7802055	TRIM ASSY-L.H.-MIDDLE-BLACK	1
9	7802054	TRIM ASSY-L.H.-UPPER-BLACK	1

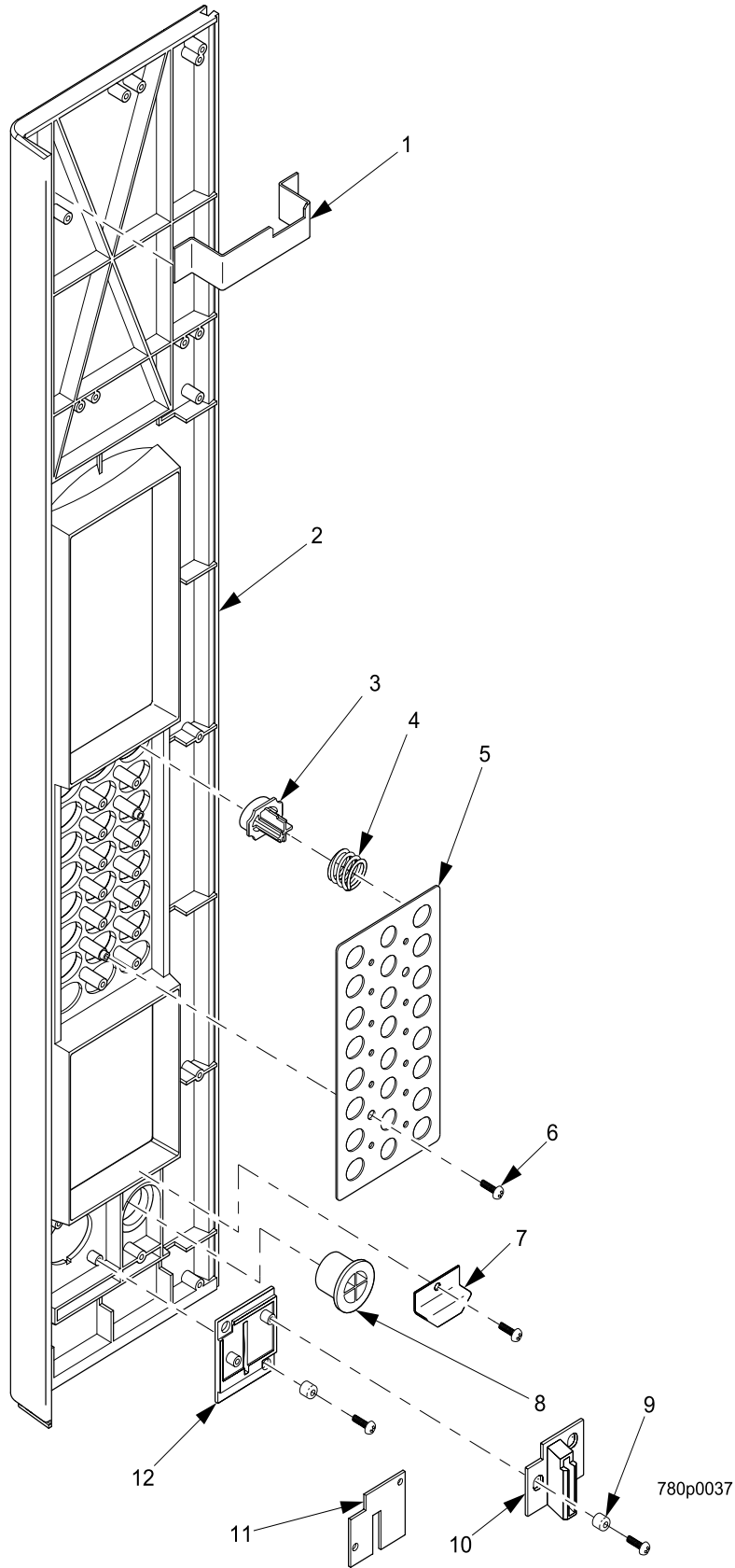
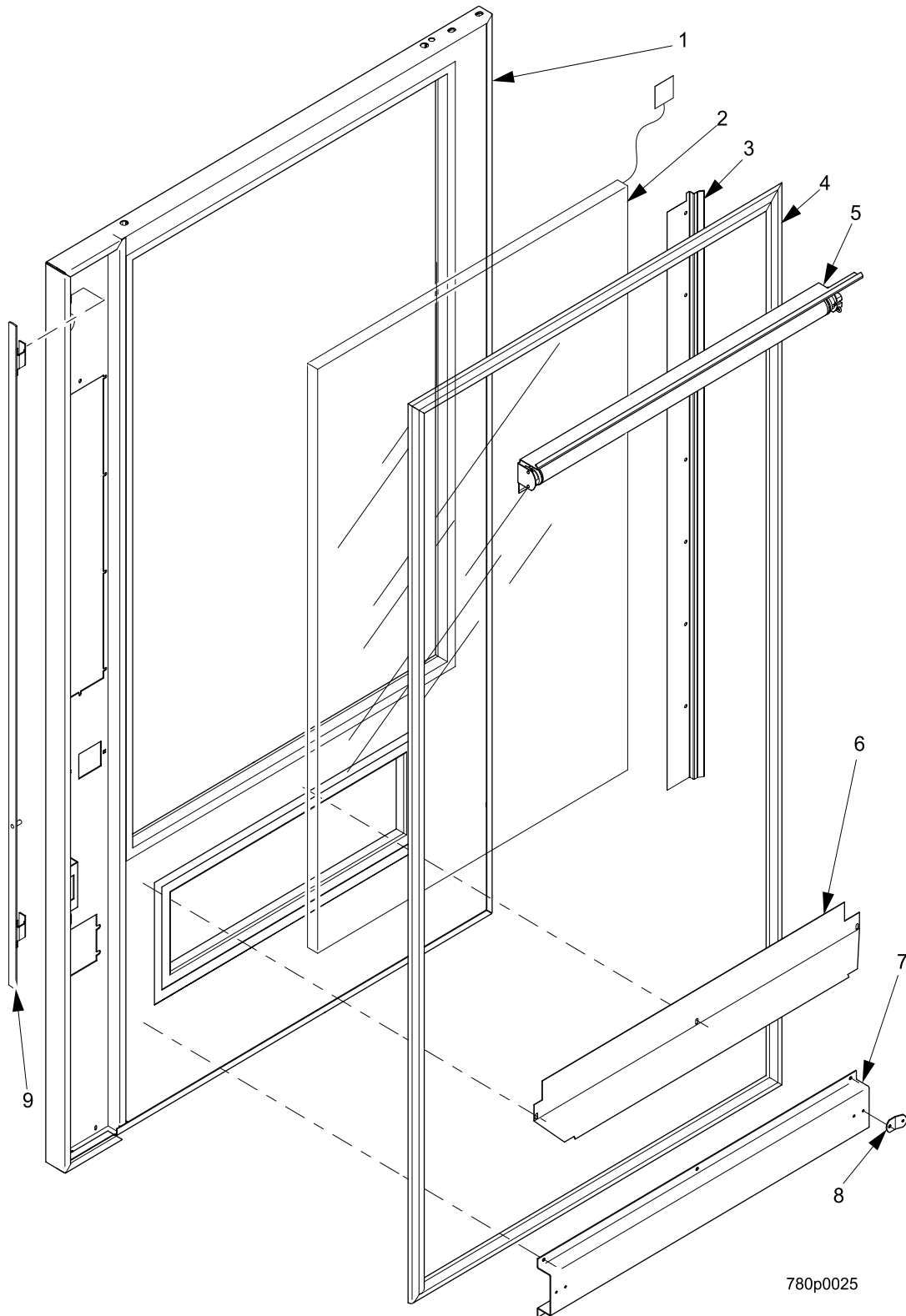


FIGURE 2: BUTTON ARRAY ASSY

TABLE 2: BUTTON ARRAY ASSY

INDEX	PART NUMBER	DESCRIPTION	QTY
1	7801121	PANEL-KNOCKOUT-BTM(REF.ITEM)	1
2	1572213	RIGHT HAND TRIM-UPPER-"A-21"	1
3	1572212	ARRAY-PUSH BUTTON SELECTION	1
4	1572224	SPRING-PUSH BUTTON	24
5	1572223	PLATE-STOP BUTTONS	1
6	1472454	SCREW-#6-20 X.31 PHIL.TRUSS HD	10
7	1572292	RETAINER-RETURN BUTTON	1
8	1572210	COIN RETURN BUTTON-"A-2"	1
9	2302053	SPACER-CUP	2
10	1572323	EXTENSION-COIN INSERT	1
11	1671041	COIN BLOCK-50 CENTS	1
12	1572209	COIN INSERT-"A-1"	1

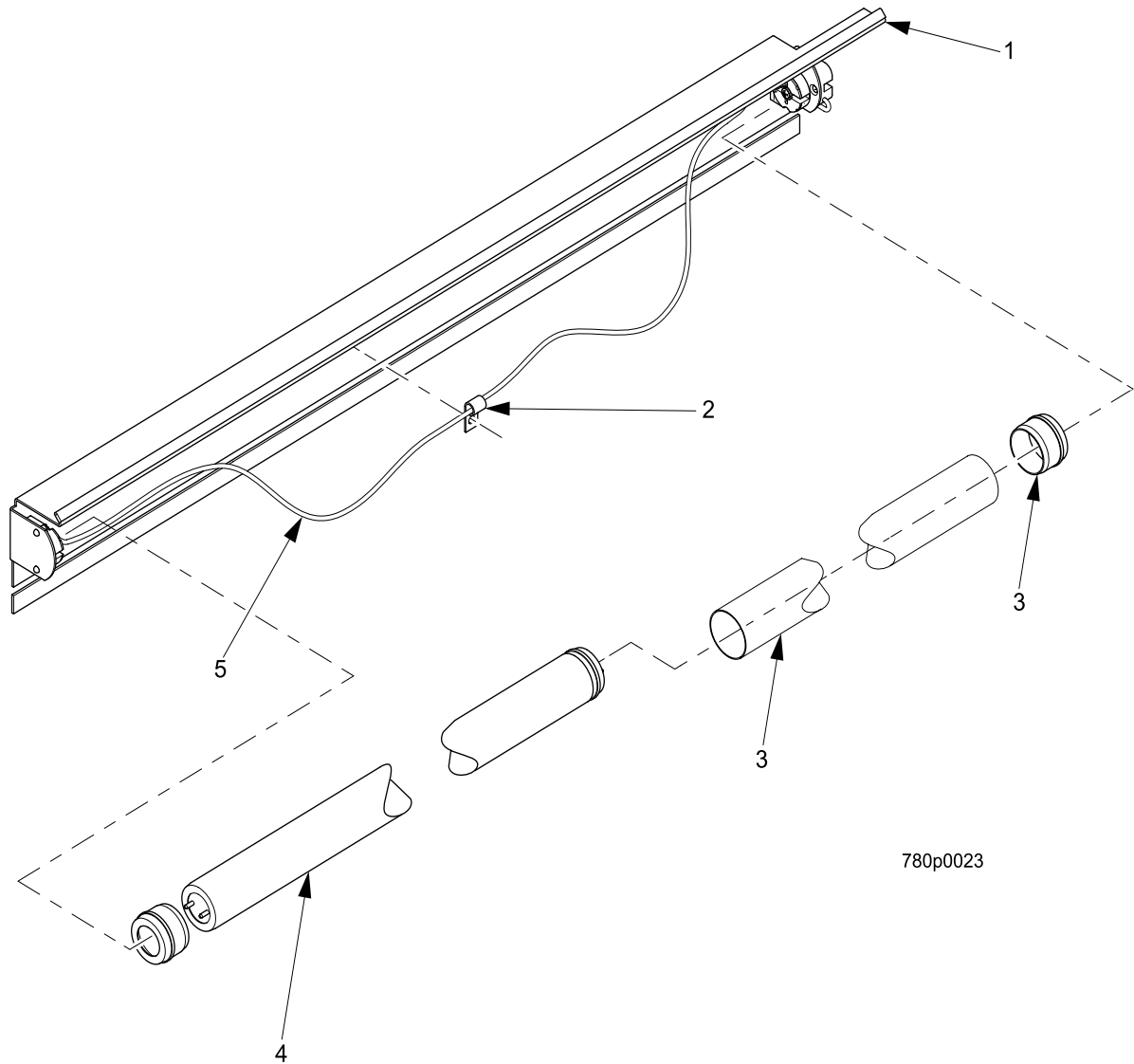


780p0025

FIGURE 3: INTERIOR DOOR ASSY

TABLE 3: INTERIOR DOOR ASSY

INDEX	PART NUMBER	DESCRIPTION	QTY.
1	7802070	DOOR ASSY-MILLENNIA BLACK	1
2	7802017	GLASS ASSY, 120 VAC	1
	7802072	GLASS ASSY-INS-HEATED-230V	1
3	7802050	CHANNEL-GLASS RETAINER	2
4	7802011	GASKET DOOR BLACK	1
5	1702023	LAMP BRKT.& HARNESS ASSY.-25W	1
6	7802031	DEFLECTOR-FRONT-DELIVERY-PAN	1
7	1572227	BRACE-DOOR-MILLENNIA	1
8	4301285	BRACKET-DOOR CHAIN	1

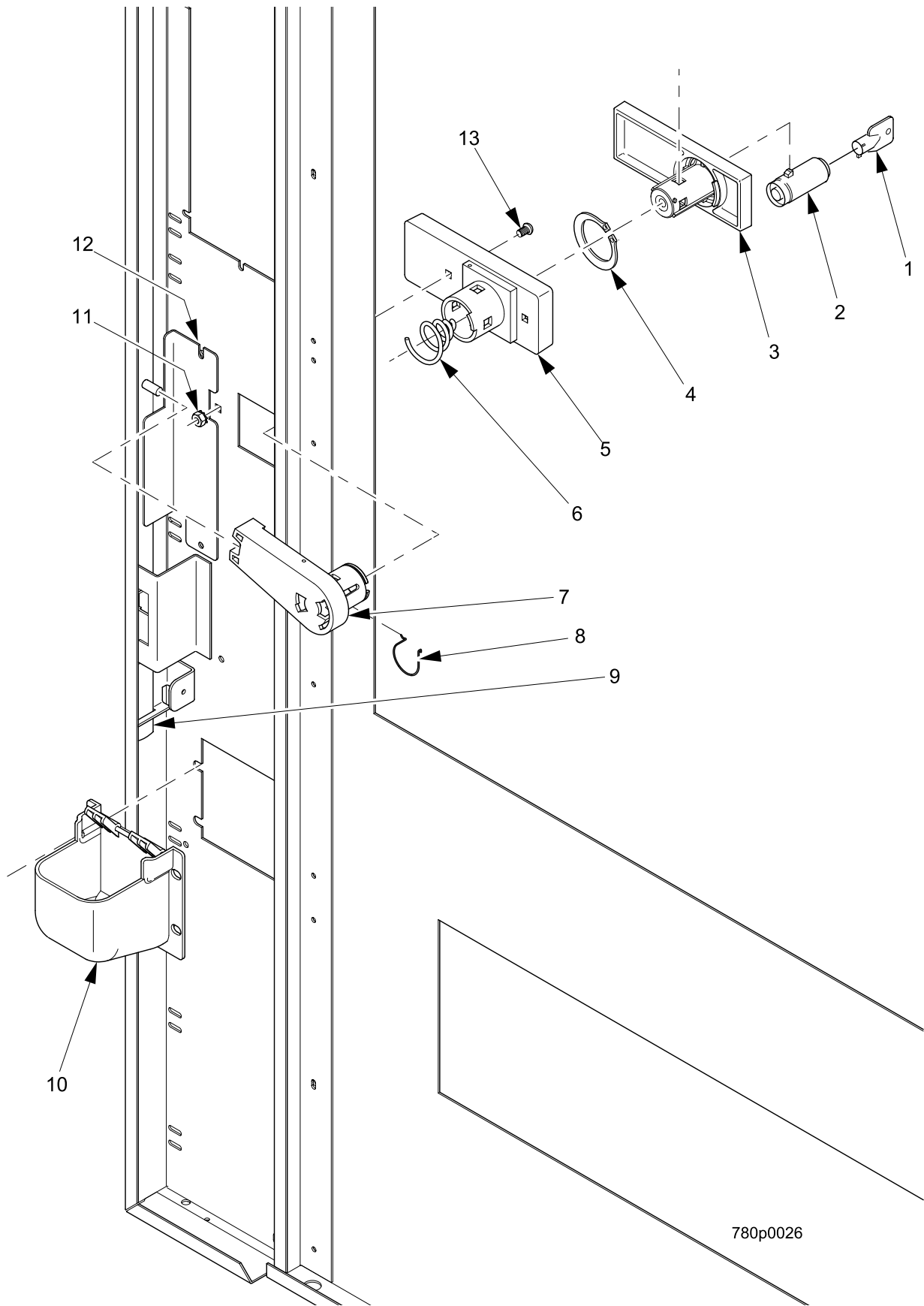


780p0023

FIGURE 4: LIGHT BRACKET ASSY

TABLE 4: LIGHT BRACKET ASSY

INDEX	PART NUMBER	DESCRIPTION	QTY
1	7802051	BRACKET LIGHT	1
2	2342315	CLIP-WIRE HARNESS	2
3	7802019	SAFETY SLEEVE & END CAP ASSY	1
4	6732034	LAMP-FLUORESCENT-18 WATT	1
5	7809005	HARNESS-LIGHT&FILTER ASSY	1
--	2302218	STARTER-FLSCT LAMP-FS-25(NOT SHOWN)	1

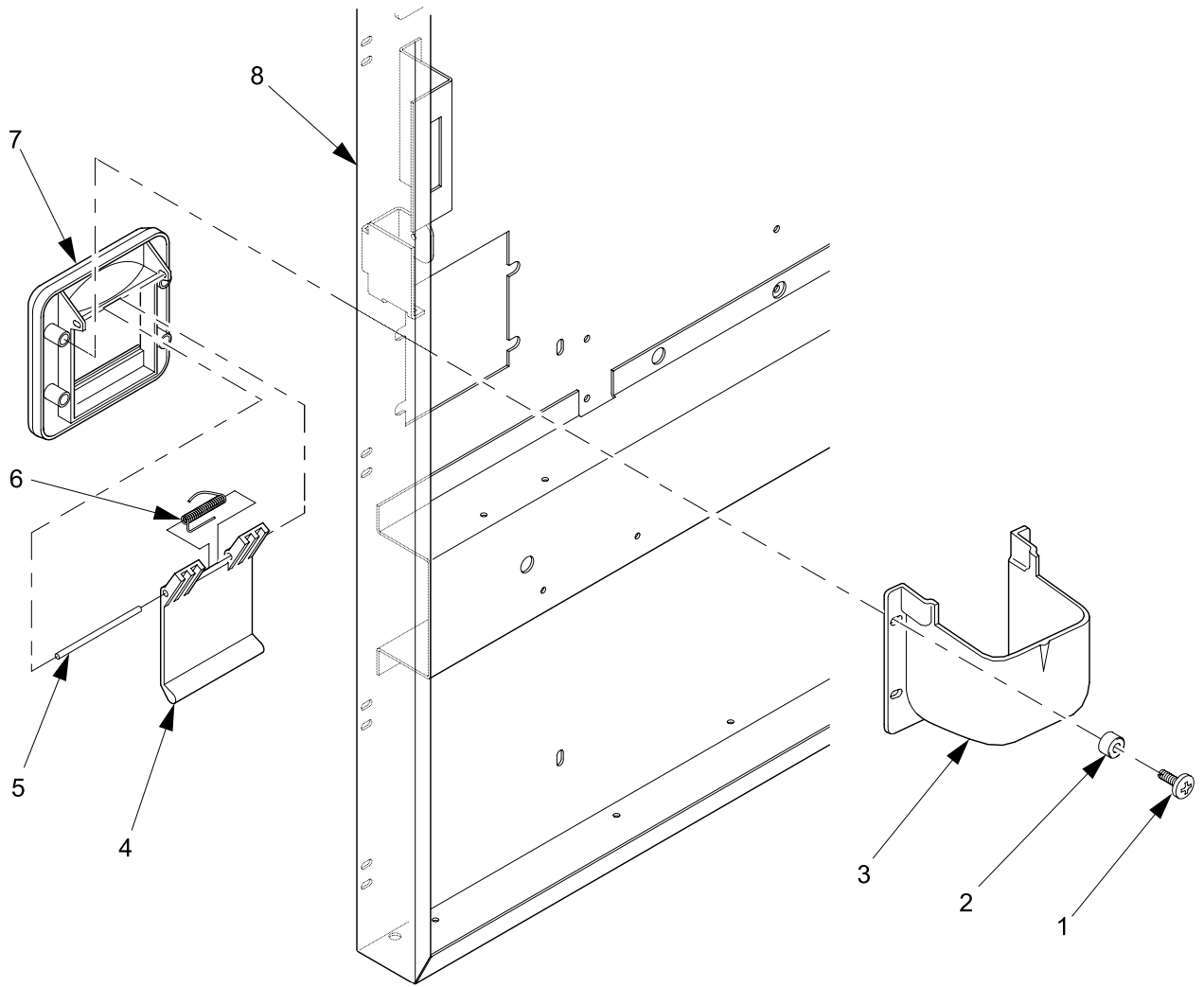


780p0026

FIGURE 5: LOCK HANDLE ASSY

TABLE 5: LOCK HANDLE ASSY

INDEX	PART NUMBER	DESCRIPTION	QTY.
1	9994002	KEY-002	--
	9994400	KEY-400	
2	9995002	LOCK CYLINDER ASSY-KEY 002	--
	9995400	LOCK CYLINDER ASSY-KEY 400	
	1670912	LOCK & KEY-ACE II-KEY 400	
	1670913	LOCK & 2 KEYS-ACE II-KEY 400	
	1670914	LOCK & 2 KEYS-ACE II-KEY 002	
3	1572397	LEVER-LOCK HANDLE	1
4	1572199	RETAINING RING-LOCK ACTUATOR	1
5	1572396	BASE-LOCK HANDLE	1
6	1572203	SPRING-LOCK	1
7	1572398	ACTUATOR-LOCK BAR	1
8	1572204	SPRING-LIFT-ACTUATOR	1
9	1472178	LOCK BAR ASSEMBLY	1
10	1572010	CUP-COIN RETURN	1
11	9900152	NUT #10-24	2
12	1572196	CHANNEL-FILLER-LOCK	1
13	2221908	CARRIAGE BOLT-BASE PLATE 10-24	2



673p0041

FIGURE 6: COIN CUP

TABLE 6: COIN CUP

INDEX	PART NUMBER	DESCRIPTION	QTY.
1	9900160	SCREW-#8-18 X 1/2"PHIL.PAN HD.	4
2	2302053	SPACER-CUP	4
3	1572010	CUP-COIN RETURN	1
--	1672082	GATE,SPRING & SHAFT ASSY(ITEMS 4,5 AND 6)	--
4	4245082	GATE-COIN RETURN	1
5	4245084	SHAFT-DOOR-COIN RETURN	1
6	4245085	ROD-LOCK PIVOT	1
7	1572011	TRIM-COIN CUP-BLACK	1
8	7802000	FOAM ASSY-DOOR-MILLENNIA BLACK	1

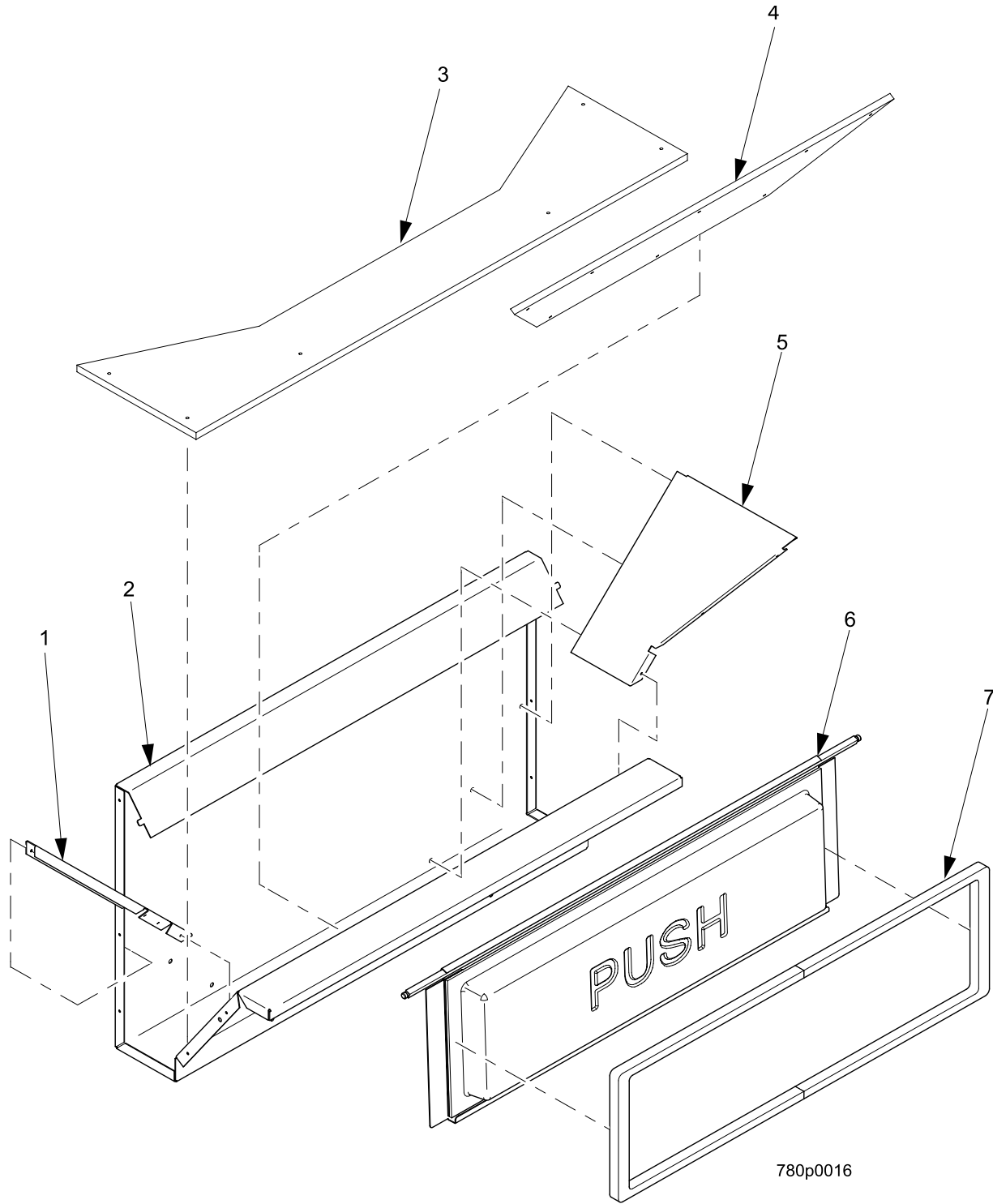


FIGURE 7: DELIVERY BIN (1 OF 4)

TABLE 7: DELIVERY BIN (1 OF 4)

INDEX	PART NUMBER	DESCRIPTION	QTY.
--	7802010	DELIVERY PAN ASSEMBLY-RC1	--
1	7802030	BAFFLE-DELIVERY PAN-LEFT	1
2	7802024	DELIVERY PAN	1
3	7802077	PAD-BOTTOM & SIDES - RC-1	1
4	7802078	PAD-FRONT-RC-1	1
5	7802035	BAFFLE-DELIVERY PAN-RIGHT	1
6	7802036	VEND DOOR ASSY-FOAMED	1
7	7802018	GASKET-VEND DOOR	1

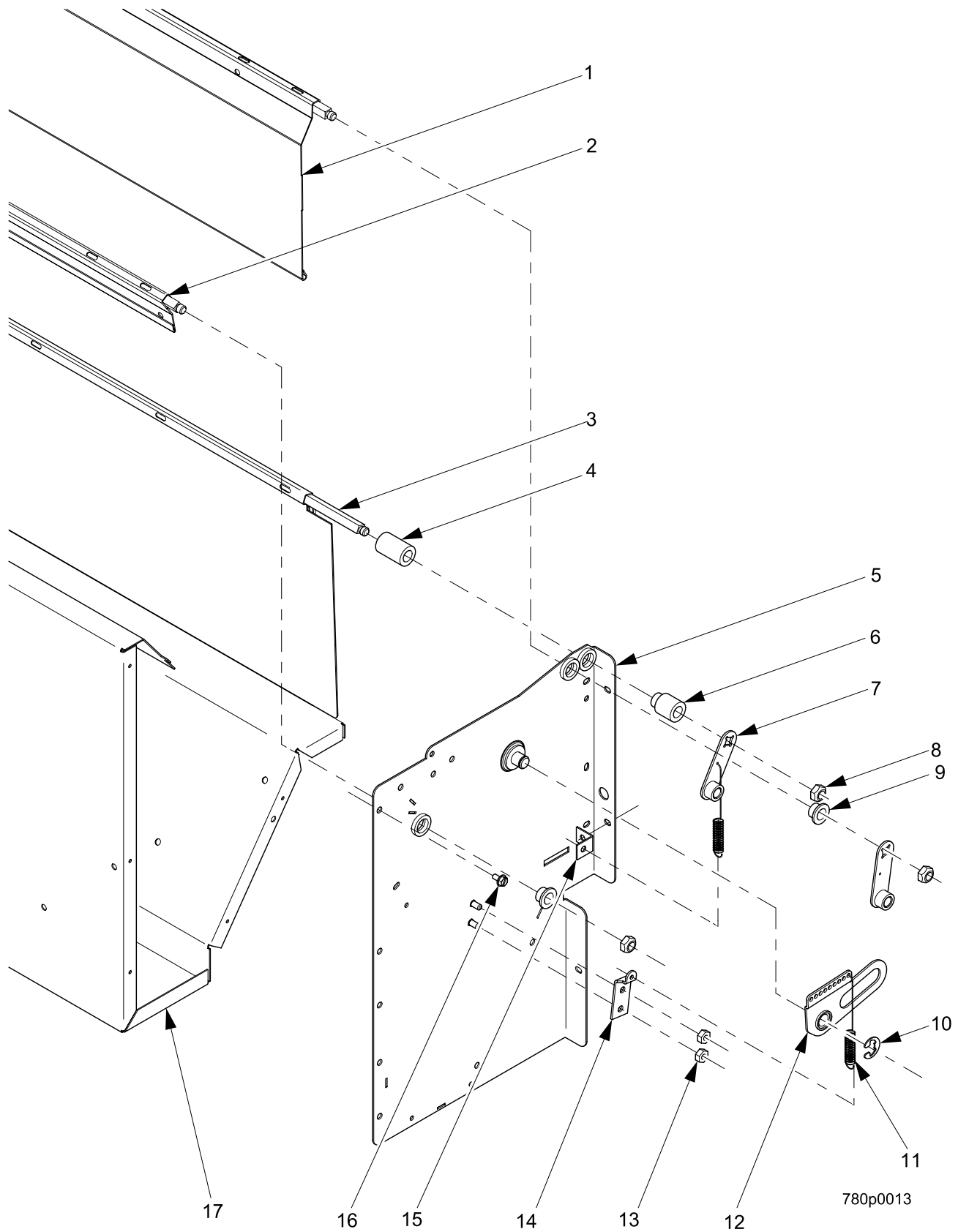


FIGURE 8: DELIVERY BIN (2 OF 4)

TABLE 8: DELIVERY BIN (2 OF 4)

INDEX	PART NUMBER	DESCRIPTION	QTY.
1	7802033	DOOR ASSEMBLY-ANTIPILFERAGE	1
2	7802032	DOOR ASSEMBLY - REAR	1
3	7802036	VEND DOOR ASSY-FOAMED	1
4	1572315	SPACER-DELIVERY DOOR	2
5	1572425	SIDE PLATE ASSEMBLY-R.H.	1
6	1572416	SLEEVE-DELIVERY DOOR	2
7	1572353	ARM ASSEMBLY-SPRING ASSIST	1
8	9900184	NUT 1/4-20 SELF-LOCKING	3
9	1572452	SLEEVE-PILFER DOOR-L.H.	1
10	9900437	RETAINING RING REINF E TYP.375	1
11	1572420	SPRING	1
12	1572423	ACTUATOR ASSY.-SPRING ASSIST	1
13	9900081	NUT #8-32 KEPS ZINC PLATE	2
14	1572421	ANCHOR-SPRING	1
15	7802073	ANCHOR-SPRING	1
16	4721035	SCREW-#8-18 X .38-LGM	1
17	7802024	DELIVERY PAN	1

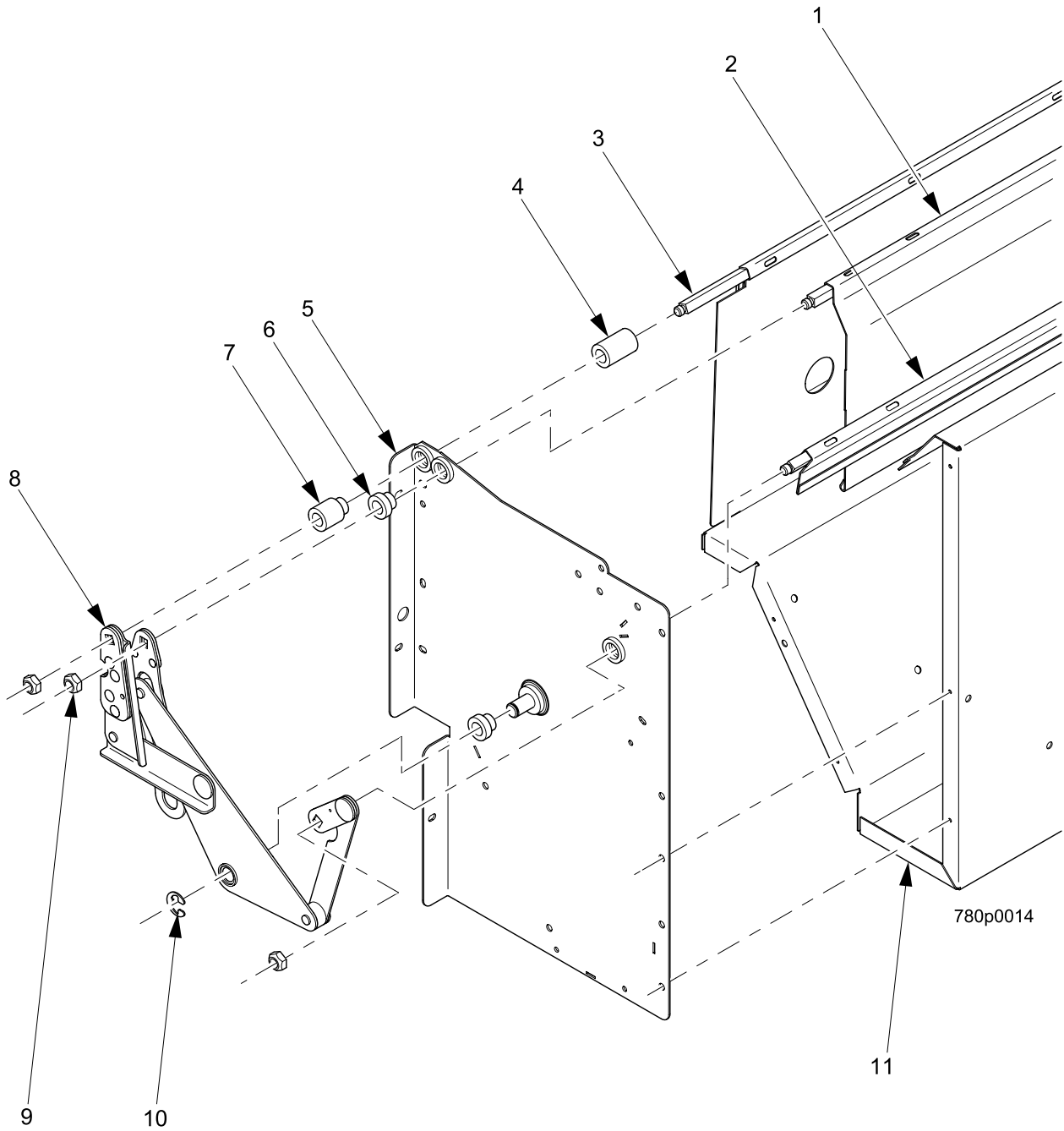


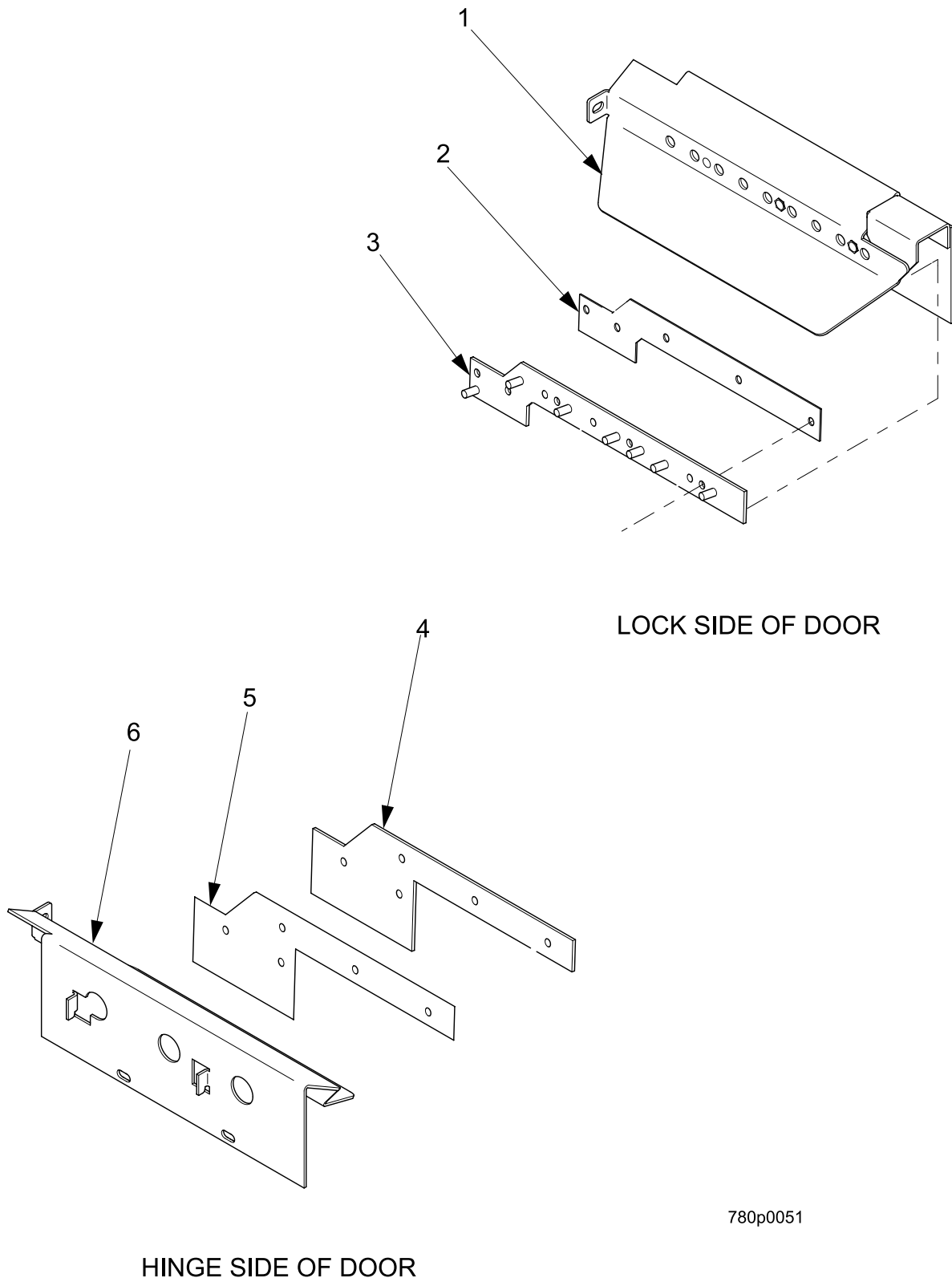
FIGURE 9: DELIVERY BIN (3 OF 4)

TABLE 9: DELIVERY BIN (3 OF 4)

INDEX	PART NUMBER	DESCRIPTION	QTY.
1	7802033	DOOR ASSEMBLY-ANTIPIILFERAGE	1
2	7802032	DOOR ASSEMBLY - REAR	1
3	7802036	VEND DOOR ASSY-FOAMED	1
4	1572315	SPACER-DELIVERY DOOR	1
5	1572424	SIDE PLATE ASSEMBLY-L.H.	1
6	1572417	SLEEVE-PILFER & REAR DR.-R.H.	1
7	1572416	SLEEVE-DELIVERY DOOR	1
8	1572410	LINKAGE ASSEMBLY-R.H.	1
9	9900184	NUT 1/4-20 SELF-LOCKING	3
10	9900437	RETAINING RING REINF E TYP.375	1
11	7802024	DELIVERY PAN	1

TABLE 10: DELIVERY BIN (4 OF 4)

INDEX	PART NUMBER	DESCRIPTION	QTY.
1	9900141	RIVET SEMI-TUBULAR.120 D.X.203	2
2	1572334	ARM-PILFER.DOOR-72DEG(REF.ITEM)	1
3	1572335	PLATE-BACKING-PILFER	1
4	1572319	ROLLER-INTERMEDIATE ARM ASSY	1
5	1572320	STUD-INTERMEDIATE ARM ASSY	1
6	1572316	COLLAR-INTERMEDIATE ARM	1
7	1572387	ARM-REAR-DELIVERY DOOR	1
8	1572386	LINK-REAR-DELIVERY DOOR	1
9	1572408	SPACER-STUD	1
10	1572407	STUD-LINKAGE ASSY-LONG	1
11	1572304	ARM-INTRMED.-DEL.DOOR(REF.ITEM)	1
12	1572303	LINK-INTERMED.-DEL.DOOR	1
13	1572356	ARM-DEL.DR-20.5DEG(REF.ITEM)	1
14	1572357	PLATE-BACKING-20.5 DEG.	2
15	1572330	RIVET-SEMI-TUBULAR-.120 DIA.X	4
16	1572318	STUD-LINKAGE ASSEMBLY	3



780p0051

FIGURE 11: SUREVEND

TABLE 11: SUREVEND

INDEX	PART NUMBER	DESCRIPTION	QTY.
1	7802043	BRKT-W/A-EMITTER-SURE VEND	1
2	1672050	PAPER BACKING-LT PCB-SURE VEND	1
3	1676011	PCB ASSY-PROD.DETECTION-LED	1
4	1676000	PCB ASSY-PRODUCT DET.-RECEIVER	1
5	1672051	PAPER BACKING-RT PCB-SURE VEND	1
6	7802034	SENSOR BRK ASSY-RECEIVER-SV	1

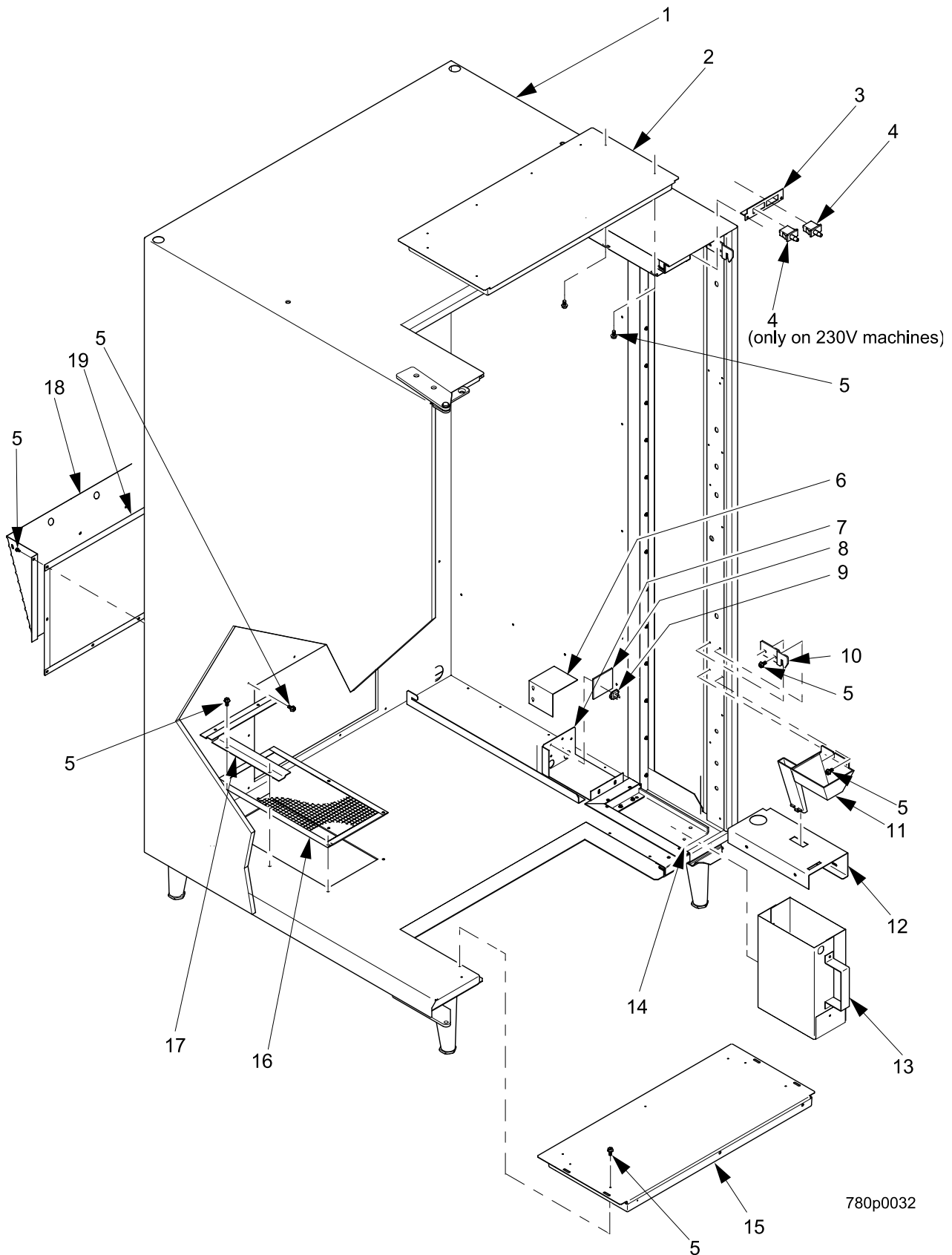
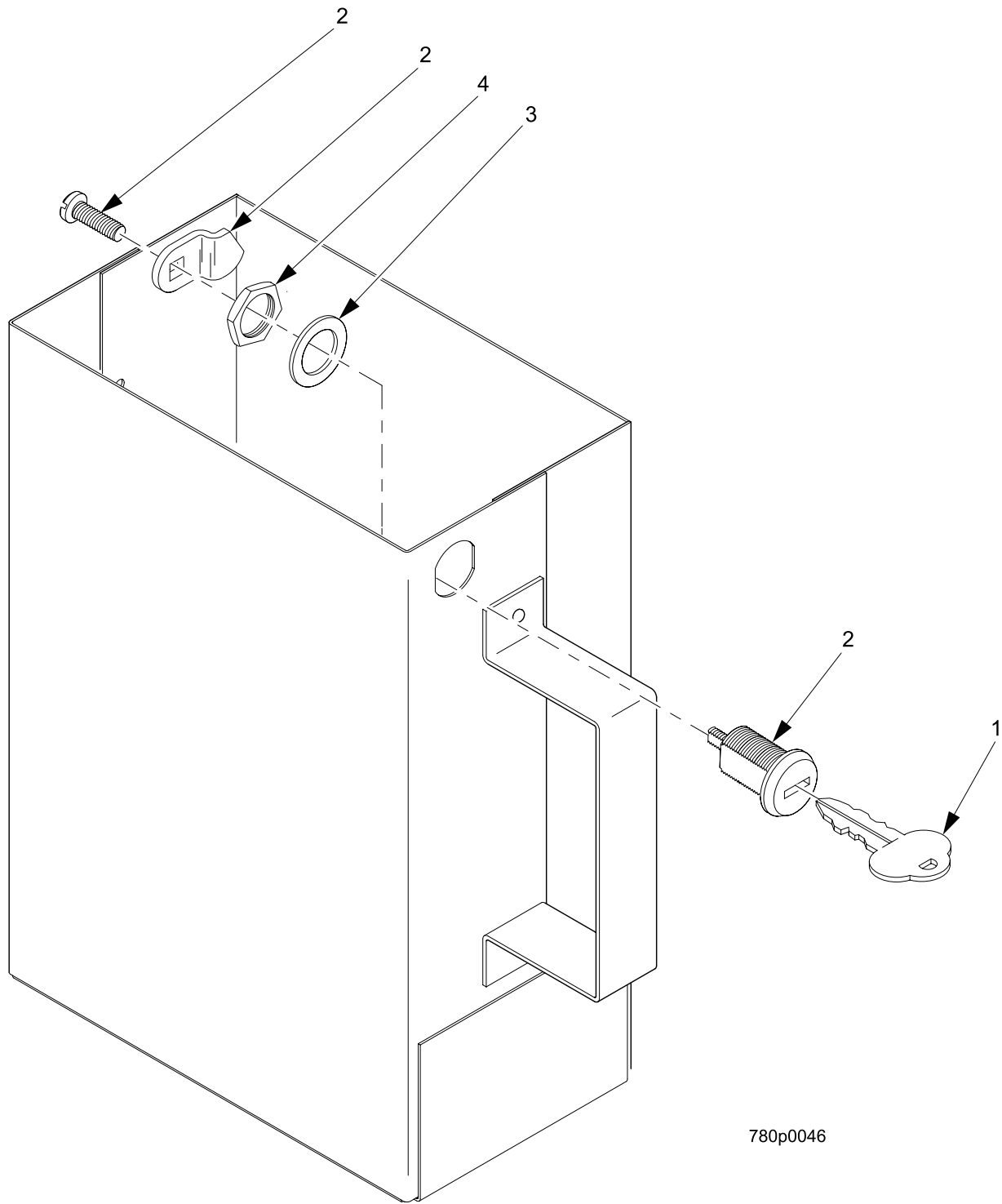


FIGURE 12: CABINET ASSY

TABLE 12: CABINET ASSY

INDEX	PART NUMBER	DESCRIPTION	QTY
1	7801107	FOAMED CABINET ASSEMBLY	1
2	7801120	KNOCKOUT-TOP ASSEMBLY	1
3	7801076	BRACKET-INTERLOCK SWITCH-DOM.	1
	7801077	BRACKET-INTERLOCK SWITCH-FOR.	
4	1211141	SWITCH	1
	2366135	SWITCH-INTERLOCK (ONLY FOR 230V MACHINES)	1
5	1451097	SCREW-#8-32X.31 HEX HD.TF-BLK.	4
6	7801168	COVER TRIAC	1
7	7801143	BRACKET MONETARY TRIAC	1
--	9989887	PCB ASSY - RC-I TRIAC	--
8	9989886	PCB-RC-1 TRIAC	1
9	9983778	TRIAC-35A-600V	1
10	1571074	LOCK ARM-CABINET	2
11	6231242	CHUTE-PAYOUT	1
12	7801074	TOP HOUSING MONEY BOX	1
13	7801073	MONEY BOX ASSY.	1
14	7801075	FLOOR HOUSING MONEY BOX	1
15	7801124	KNOCKOUT-BOTTOM ASSEMBLY	1
16	4321150	SCREEN-INLET AIR	1
17	7801147	FRAME INLET SCREEN	1
18	7801154	OUTLET DIFFUSER	1
19	4321156	SCREEN-OUTLET AIR	1

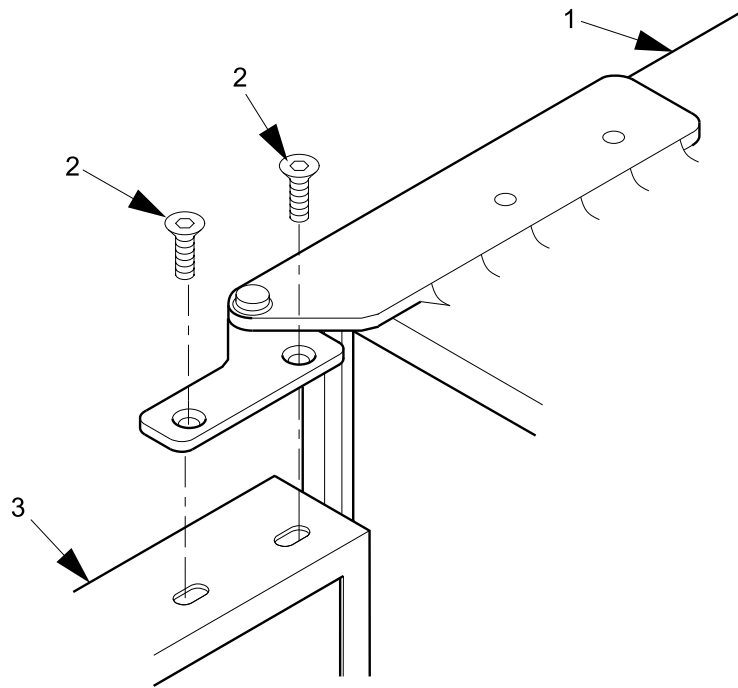


780p0046

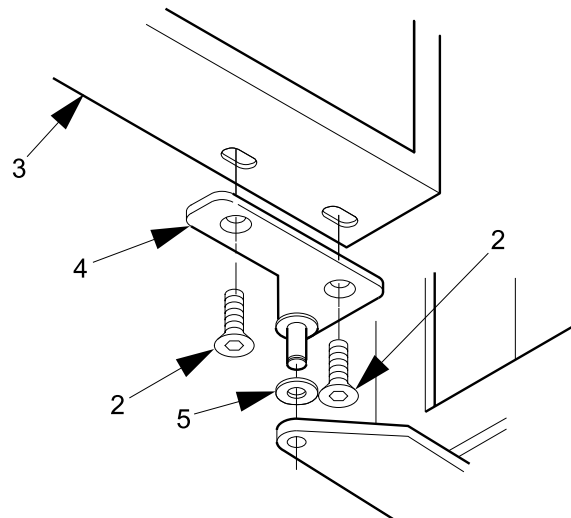
FIGURE 13: CASH BOX LOCK

TABLE 13: CASH BOX LOCK

INDEX	PART NUMBER	DESCRIPTION	QTY
--	1470761	MONEY BOX LOCK(ITEMS 1-4)	--
1	2221920	KEY-CHICAGO LK-#1801 NV407, KB	1
2	1101906	MONEY BOX LOCK-#1801, KA NV407	1
3	2222604	WASHER-LOCK BARREL-#2693	1
4	2222603	NUT-LOCK RETAINING	1



UPPER DOOR HINGE ASSY



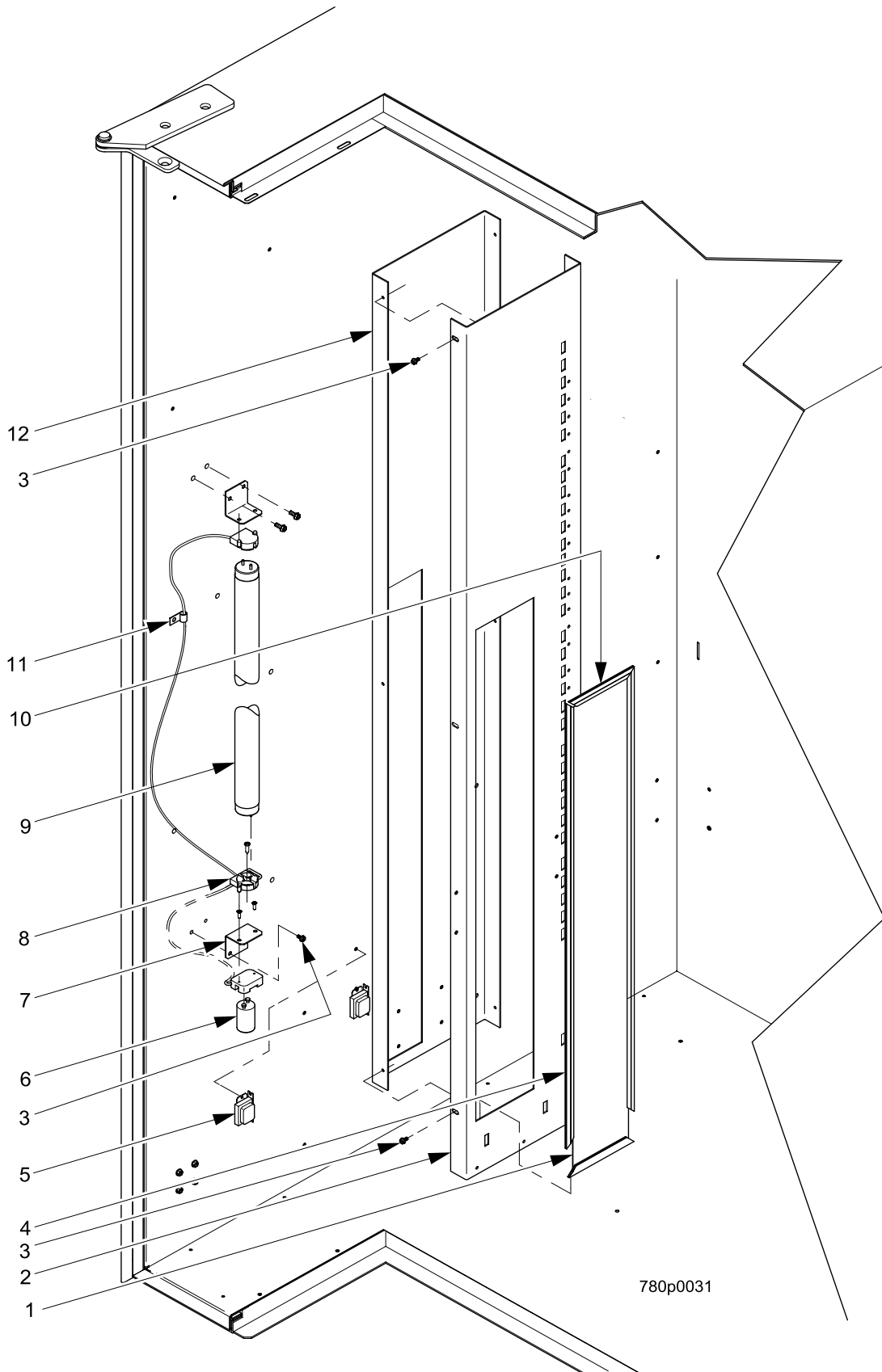
780p0041

LOWER DOOR HINGE ASSY

FIGURE 14: DOOR HINGE

TABLE 14: DOOR HINGE

INDEX	PART NUMBER	DESCRIPTION	QTY
1	7801096	WELD ASSY CABINET(REF.ITEM)	--
2	6232036	SCREW-5/16-18X.75 FLT.HDSOCKET	4
3	7802001	WELD ASSY-DOOR-T. BLACK	--
4	6232031	HINGE ASSY-DOOR-LOWER	1
5	4242145	BEARING-THRUST-LOWER HINGE KB	1



780p0031

FIGURE 15: LIGHTING CHANNEL

TABLE 15: LIGHTING CHANNEL)

INDEX	PART NUMBER	DESCRIPTION	QTY
1	7801125	LEXAN PANEL	1
2	7801142	CHANNEL RAIL MNT FL OUTER	1
3	1451097	SCREW-#8-32X.31 HEX HD.TF-BLK.	4
4	7801126	FRAME LONG	2
5	3151058	BALLAST ASSY-14/20 WATT	2
	6332009	BALLAST ASSY-18 WATT-230V	1
6	2302218	STARTER-FLSCT LAMP-FS-25	1
7	7801153	BRACKET LIGHT	2
8	7809005	HARNESS-LIGHT & FILTER ASSY	1
9	6732034	LAMP-FLUORESCENT-18 WATT	1
10	7801127	FRAME SHORT	2
11	1211161	CABLE CLAMP-RICHCO#N4	2
12	7801141	CHANNEL RAIL MNT FL INNER	1

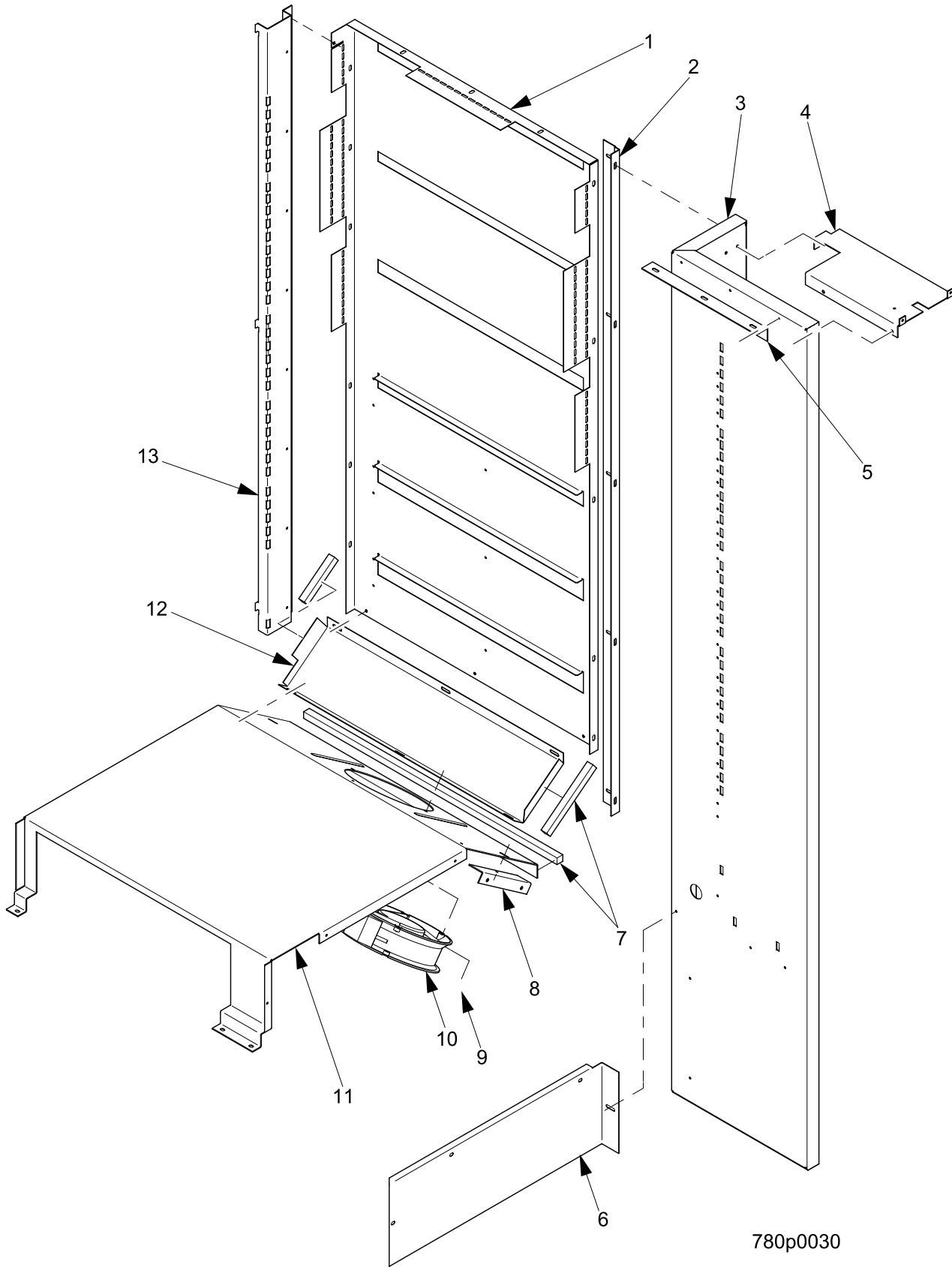


FIGURE 16: EVAPORATOR FAN ASSY

TABLE 16: EVAPORATOR FAN ASSY

INDEX	PART NUMBER	DESCRIPTION	QTY.
1	7801155	PANEL AIR SUPPLY	1
2	7801144	BRACKET MONETARY LONG	1
3	7801131	PANEL MONETARY ASSY FORWARD	1
4	7801078	BRACKET-ALIGNMENT	1
5	7801151	BRKT UPPER MONETARY ANGLE	1
6	7801152	FRONT EVAPORATOR COVER	1
7	4744031	SEAL-.50 X.50	87
8	7801150	ANGLE-FAN-SUPPORT	2
9	3104124	SCREW-#8-32 X 5/8 PHS SS	2
--	4402043	NUT-#8-32 W/L.W.-S.S. (NOT SHOWN)	2
10	4314014	FAN-EVAPORATOR-AXIAL	1
	7804013	FAN EVAPORATOR-AXIAL-230V	
11	7801145	PANEL-EVAPORATOR-COVER	1
12	7801148	PANEL FAN ACCESS	1
13	7801139	CHANNEL RAIL MOUNT RR	1

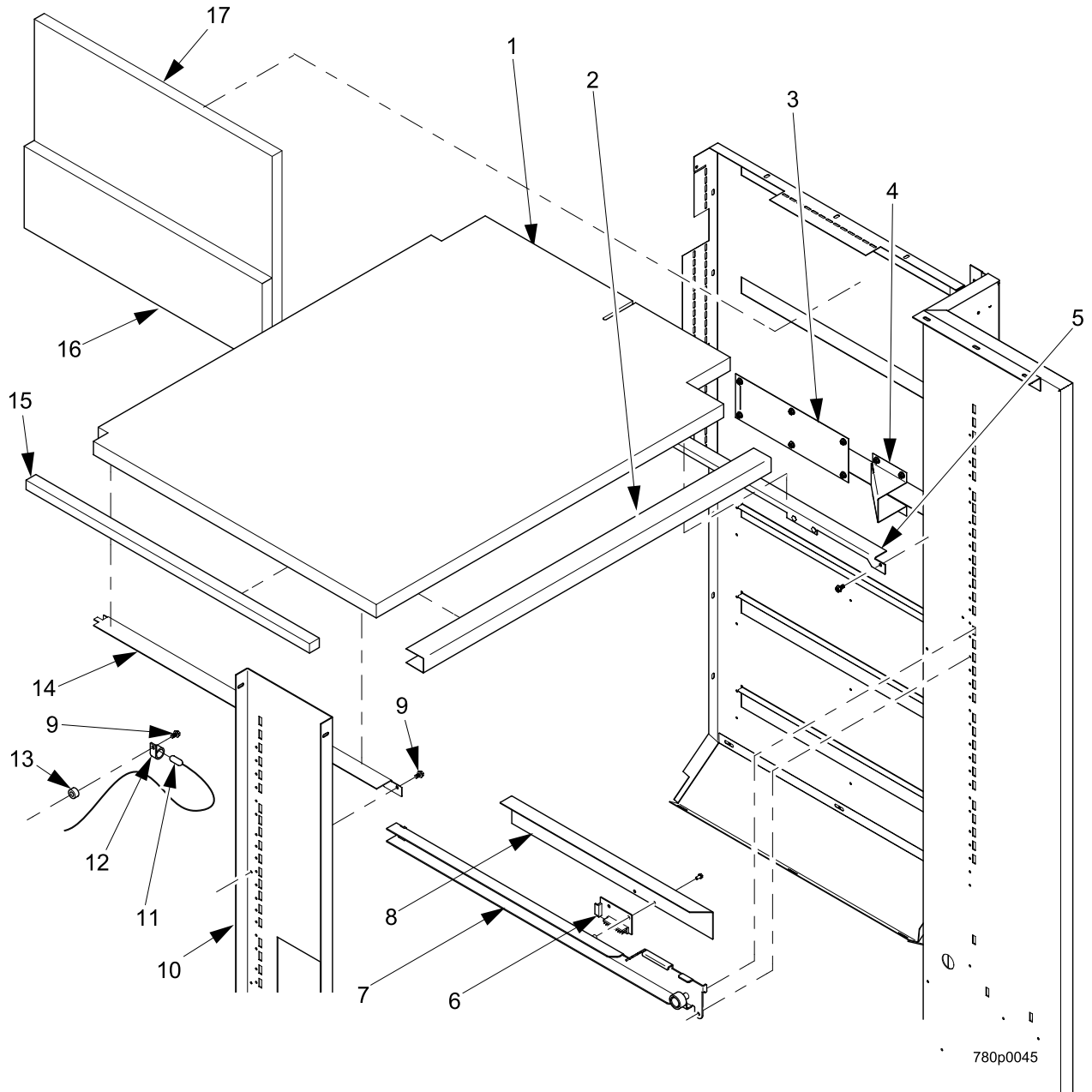


FIGURE 17: DUAL ZONE COMPONENTS VERSION I DUCT SYSTEM

TABLE 17: DUAL ZONE COMPONENTS VERSION I DUCT SYSTEM

INDEX	PART NUMBER	DESCRIPTION	QTY.
1	7801165	DIVIDER SHELF	1
2	7801166	COVER FRONT EDGE BARRIER	1
3	7801175	AIR PLATE-USED FOR TWO TRAY CONFIGURATION ONLY	1
4	7801174	AIR DEFLECTOR-USED FOR TWO TRAY CONFIGURATION ONLY	1
5	7801181	RAIL-RH-THERM BARRIER W/STANDO	1
6	1596014	PCB ASSEMBLY-TRAY	1
7	7801049	GUIDE RAIL AY R.H. W/STANDOFFS	1
8	7801052	SHIELD-TRAY RAIL-PCB	1
9	1451097	SCREW-#8-32X.31 HEX HD.TF-BLK.	2
10	7801142	CHANNEL RAIL MNT FL OUTER	1
11	9987852	PROBE-TEMP.SENSOR	1
12	1211161	CABLE CLAMP-RICHCO#N4	1
13	4302134	SPACER-P.C.BOARD	1
14	7801159	RAIL-LH-THERMAL BARRIER	1
15	4241148	INSULATION-ROD-.50	22
16	7801170	INSULATION BOARD-SMALL	1
17	7801169	INSULATION BOARD-LARGE	1

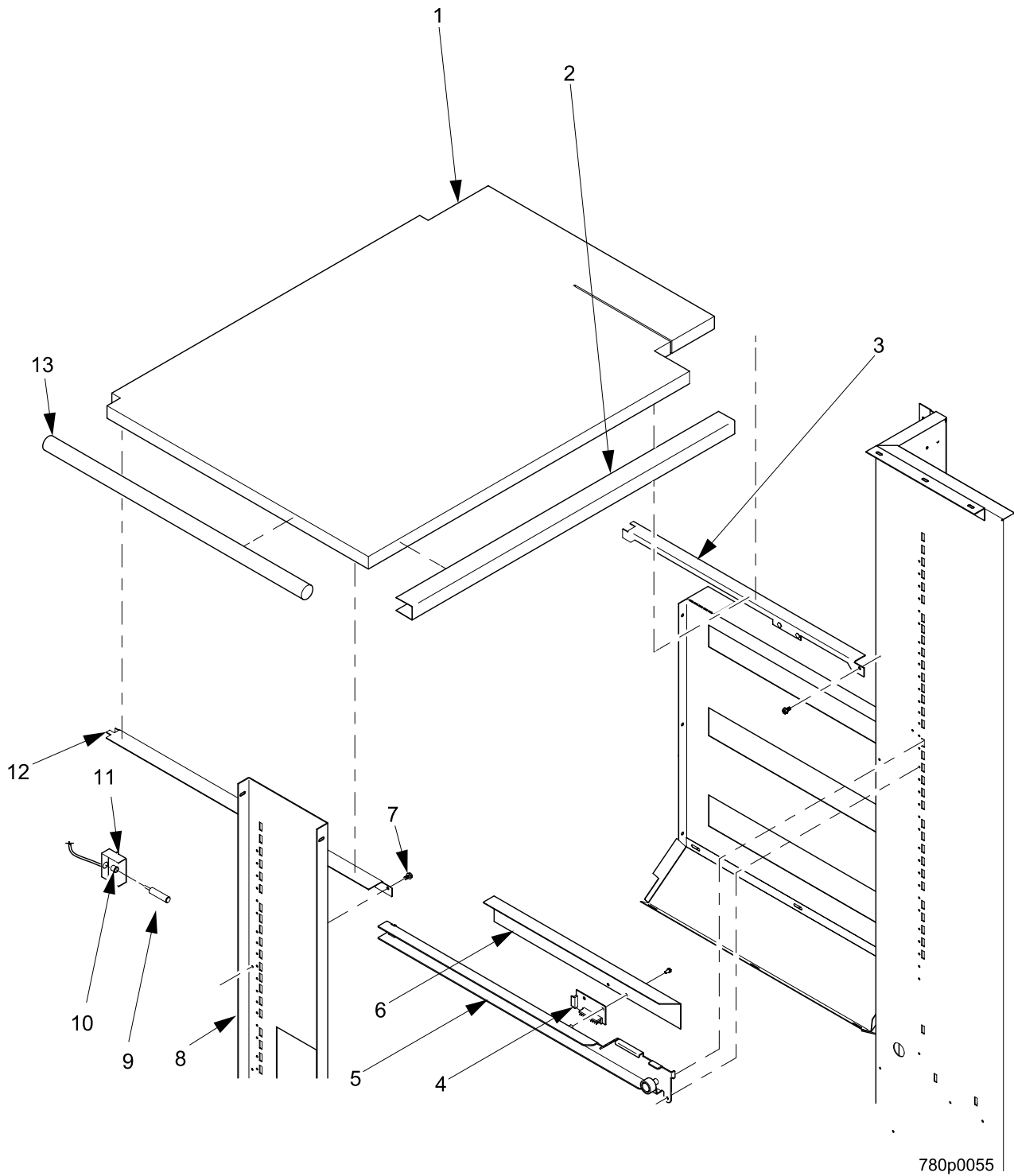


FIGURE 18: DUAL ZONE COMPONENTS VERSION II DUCT SYSTEM

TABLE 18: DUAL ZONE COMPONENTS VERSION II DUCT SYSTEM

INDEX	PART NUMBER	DESCRIPTION	QTY.
1	7801157	DIVIDER-SHELF-VERSION 2	1
2	7801166	COVER-FRONT EDGE BARRIER	1
3	7801181	RAIL-RH-THERM BARRIER W/STANDO	1
4	1596014	PCB ASSEMBLY-TRAY	1
5	7801049	GUIDE RAIL AY R.H. W/STANDOFFS	1
6	7801052	SHIELD-TRAY RAIL-PCB	1
7	1451097	SCREW-#8-32X.31 HEX HD.TF-BLK.	2
8	7801142	CHANNEL RAIL MNT FL OUTER	1
9	9987852	PROBE-TEMP.SENSOR	1
10	9985887	BUSHING-STRAIN RELIEF	1
11	4321175	COVER-TEMP. SENSOR	1
12	7801159	RAIL-LH-THERMAL BARRIER	1
13	4241148	INSULATION-ROD-.50	22

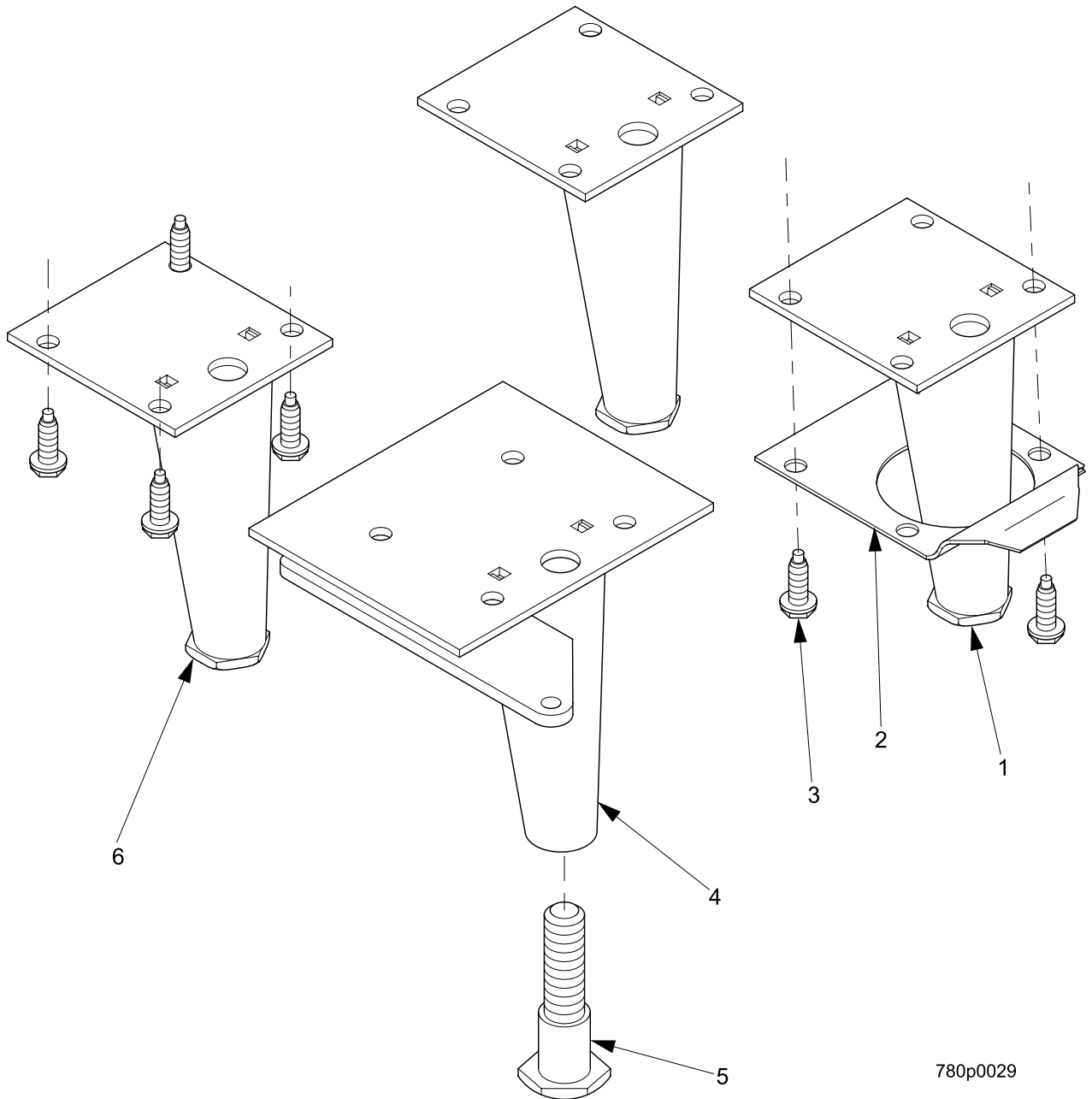


FIGURE 19: CABINET LEGS

TABLE 19: CABINET LEGS

INDEX	PART NUMBER	DESCRIPTION	QTY.
1	4311068	LEG ASSY-CABINET-WELD	3
2	7801081	PLATE DOOR SUPPORT	1
3	9900218	SCREW-#5/16 X 1 W/LOCKING RING	16
4	1571115	LEG & HINGE ASSY-WELD	1
5	1471098	LEVELER-CABINET	4
6	1471237	LEG & LEVELER ASSY-CABINET (ITEMS 1 AND 5)	--

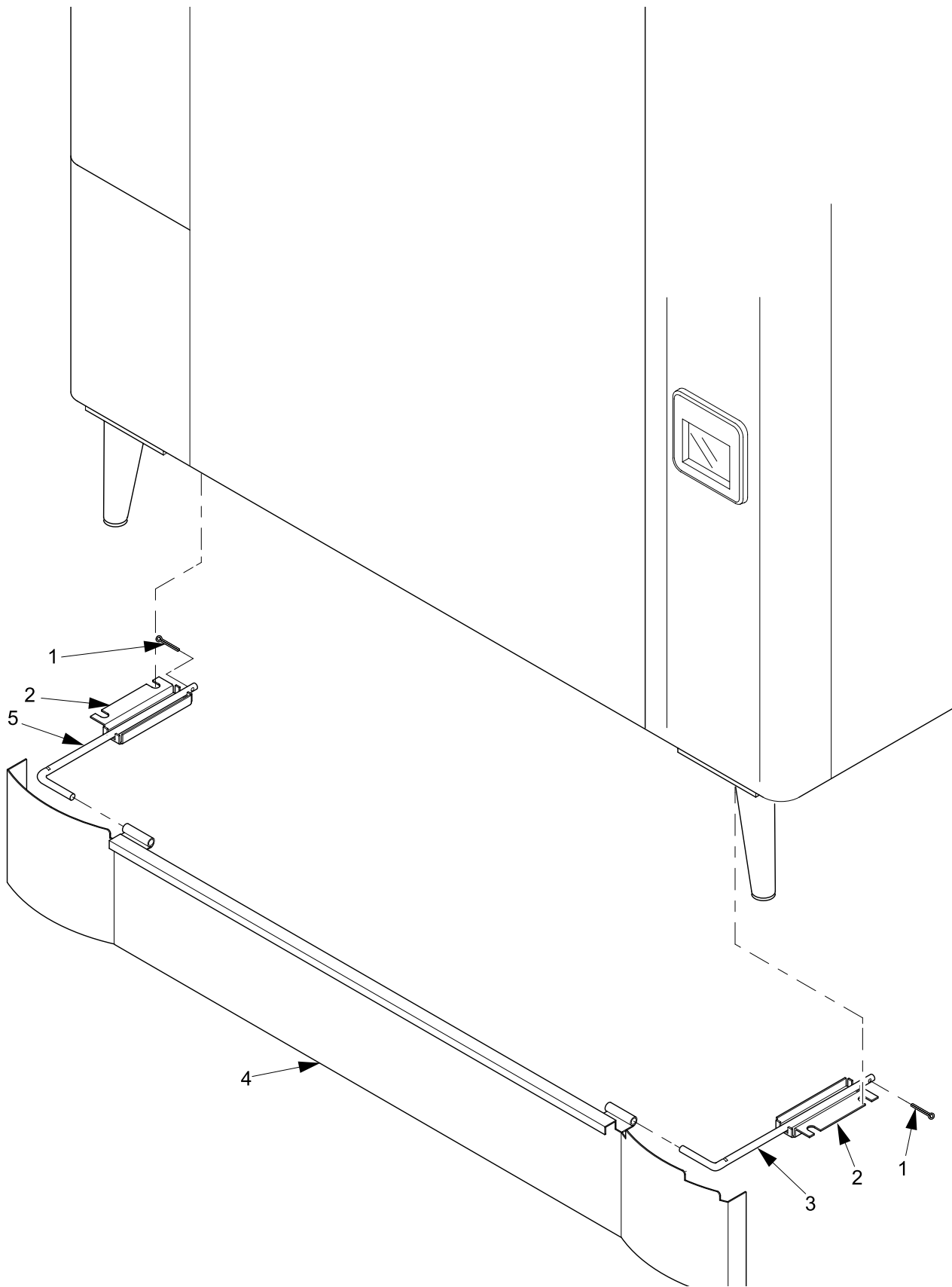


FIGURE 20: BASE PLATE

TABLE 20: BASE PLATE

INDEX	PART NUMBER	DESCRIPTION	QTY.
1	9900098	COTTER PIN 3/32 X 3/4 IN	2
2	6231087	BRACKET-BASE PLATE	2
3	1411194	SLIDE-BASE PLATE-R.H.	1
4	1581050	BASE PLATE ASSY-32"-MILLENNIA	1
5	1411195	SLIDE-BASE PLATE-L.H.	1

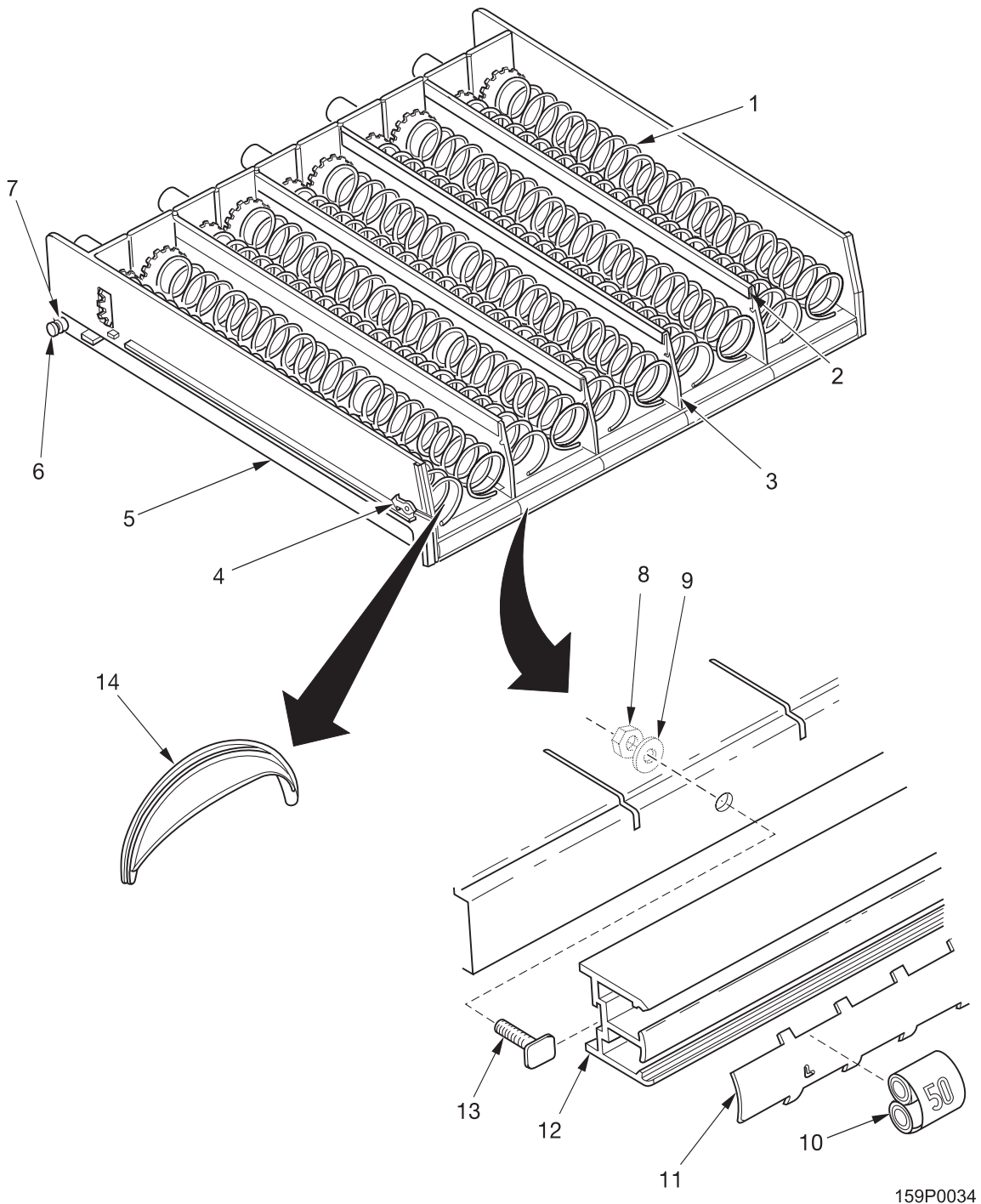


FIGURE 21: SNACK TRAY ASSY

TABLE 21: SNACK TRAY ASSY

INDEX	PART NUMBER	DESCRIPTION	QTY
--	1597001	SNACK TRAY ASSEMBLY - 5 SNACK	
	1470811	SNACK TRAY ASSEMBLY - 5 SNACK	
1	--	SPIRAL AND RETAINER ASSEMBLY (SEE TABLE 26B ON PAGE 55)	--
2	1677193	SPACER - ADJUSTABLE	4
3	1477175	WALL - TRAY	4
4	1477017	LATCH	1
5	1577040	TRAY - 5 & 10 DIVISION	1
6	1477097	AXLE - TRAY ROLLER	2
7	1477148	ROLLER - TRAY	2
8	9900030	NUT #8-32 SELF - LOCKING	3
9	5560113	WASHER - HOPPER RELEASE	3
10	--	PRICE ROLLS (SEE TABLE 26A ON PAGE 54)	--
11	1477157	HOLDER - PRICE & SELECTION	1
12	1477134	RAIL - PRICE & SELECTION	1
13	2222031	TEE BOLT - TRIM	3
14	1477074	PUSHER - PRODUCT	10

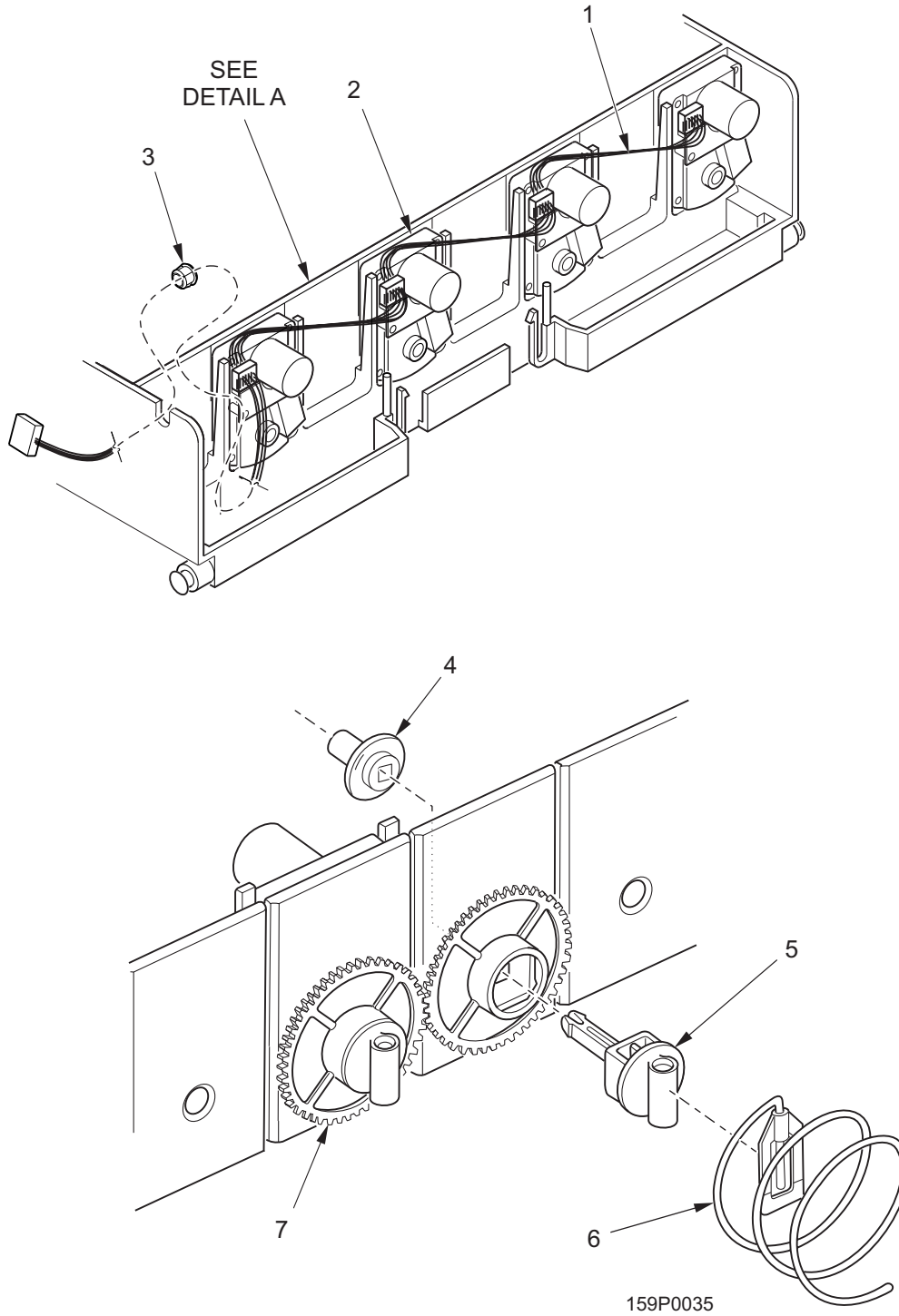


FIGURE 22: SNACK TRAY ASSY - REAR

TABLE 22: SNACK TRAY ASSY - REAR

INDEX	PART NUMBER	DESCRIPTION	QTY.
1	1679010	HARNESS - 5 MOTOR TRAY	1
2	1577038	MOTOR & PCB ASSEMBLY	5
3	9989821	BUSHING - 0.512 DIAMETER	1
4	1477022	BEARING - COUPLER	5
5	1477113	COUPLING - SPIRAL	10
6	--	SPIRALS (SEE TABLE 26B ON PAGE 55)	--
7	1477020	GEAR - TRAY	10

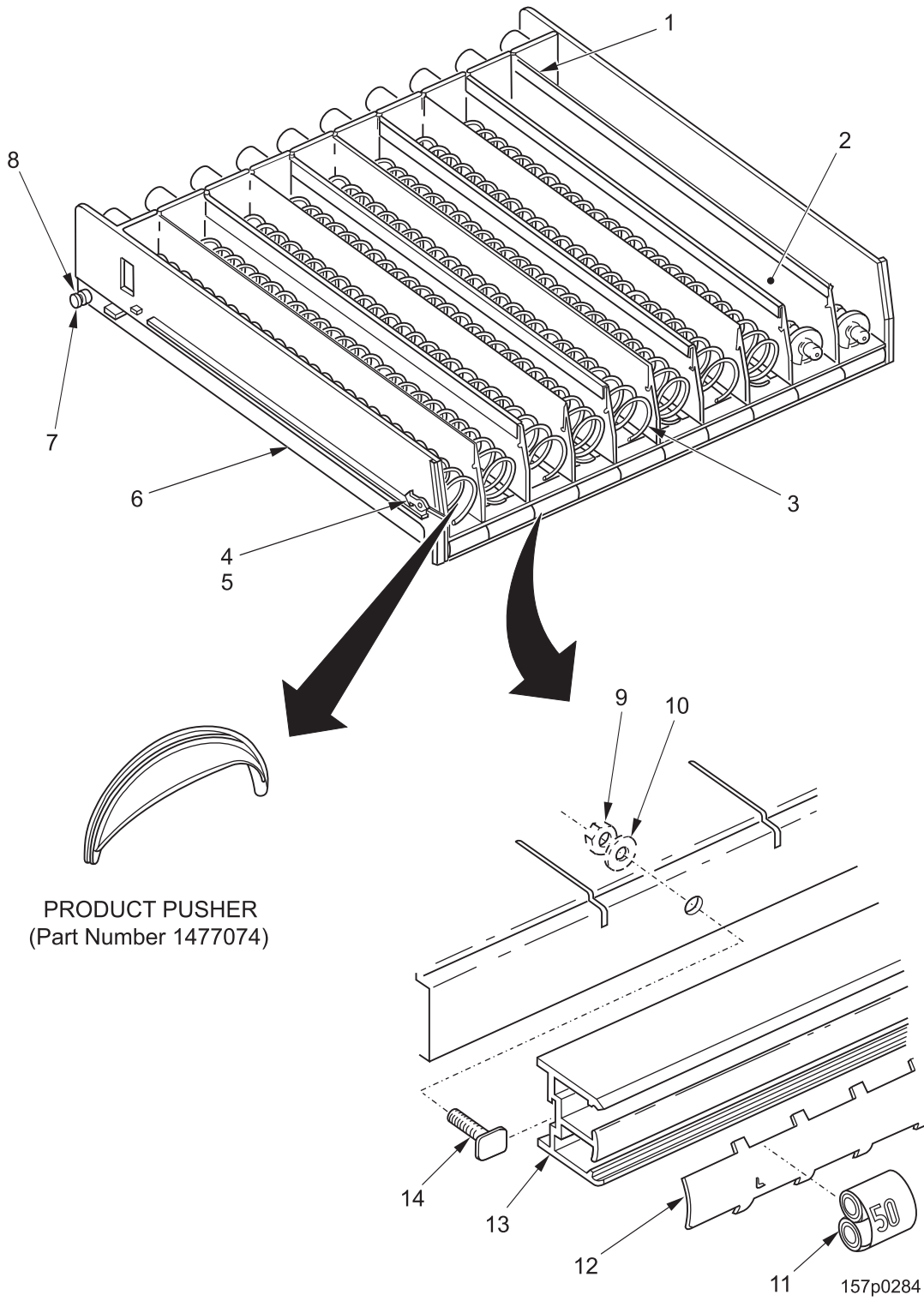


FIGURE 23: CANDY TRAY ASSY

TABLE 23: CANDY TRAY ASSY

INDEX	PART NUMBER	DESCRIPTION	QTY.
	1597002	CANDY TRAY ASSEMBLY - 10 MOTOR	
	1470812	CANDY TRAY ASSEMBLY - 10 MOTOR	
1	1477175	WALL - TRAY	9
2	1677193	SPACER - ADJUSTABLE	4
3	--	SPIRALS (SEE TABLE 26B ON PAGE 55)	--
4	1477017	LATCH	1
5	5201267	PUSH-ON RETAINER - .312	2
6	1577040	TRAY - 5 & 10 DIVISION	1
7	1477097	AXLE - TRAY ROLLER	2
8	1477148	ROLLER - TRAY	2
9	9900030	NUT #8-32 SELF-LOCKING	3
10	5560113	WASHER - HOPPER RELEASE	3
11	--	PRICE ROLLS (SEE TABLE 26A ON PAGE 54)	10
12	1477157	HOLDER - PRICE & SELECTION	1
13	1477134	RAIL - PRICE & SELECTION	1
14	2222031	TEE BOLT - TRIM	3

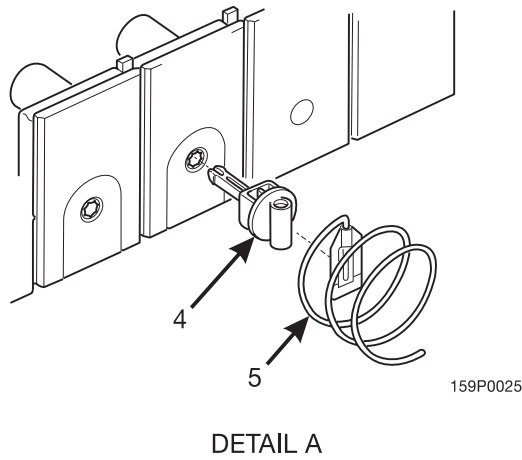
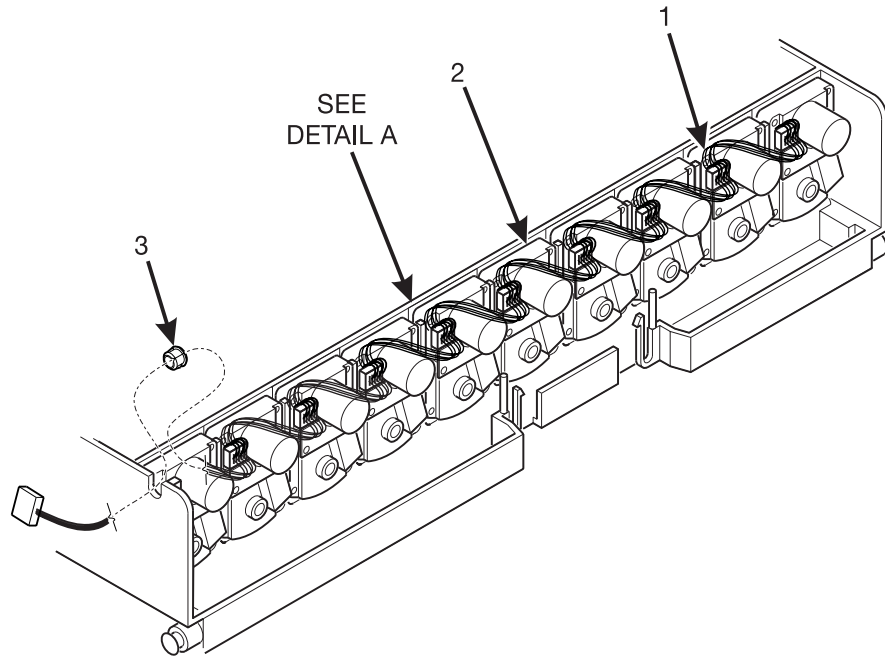


FIGURE 24: CANDY TRAY - REAR

TABLE 24: CANDY TRAY REAR

INDEX	PART NUMBER	DESCRIPTION	QTY.
1	1679011	HARNESS - 10 MOTOR TRAY	1
2	1577038	MOTOR & PCB ASSEMBLY	10
3	9989821	BUSHING	1
4	1477113	COUPLING - SPIRAL	10
5	--	SPIRALS (SEE TABLE 26B ON PAGE 55)	--

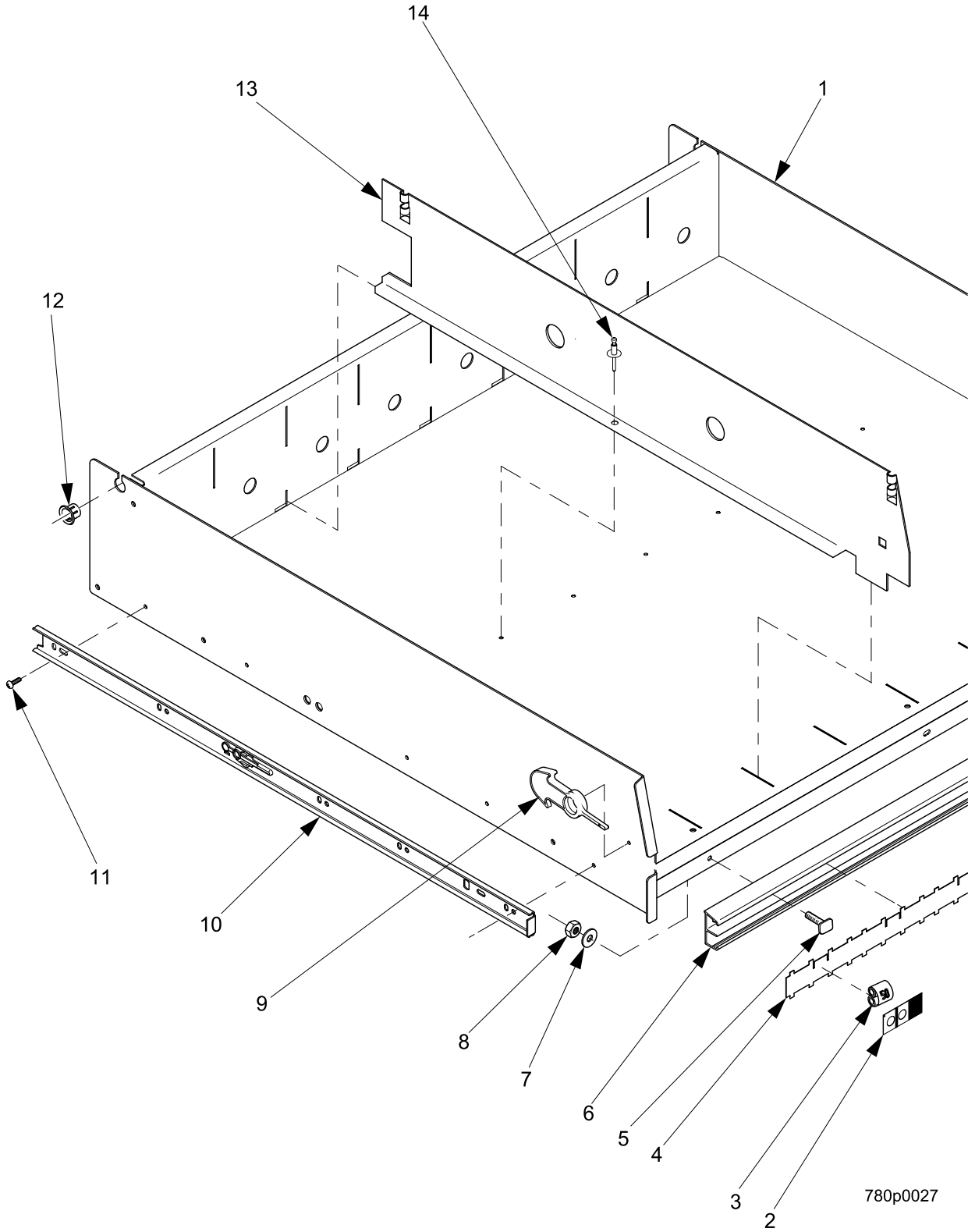
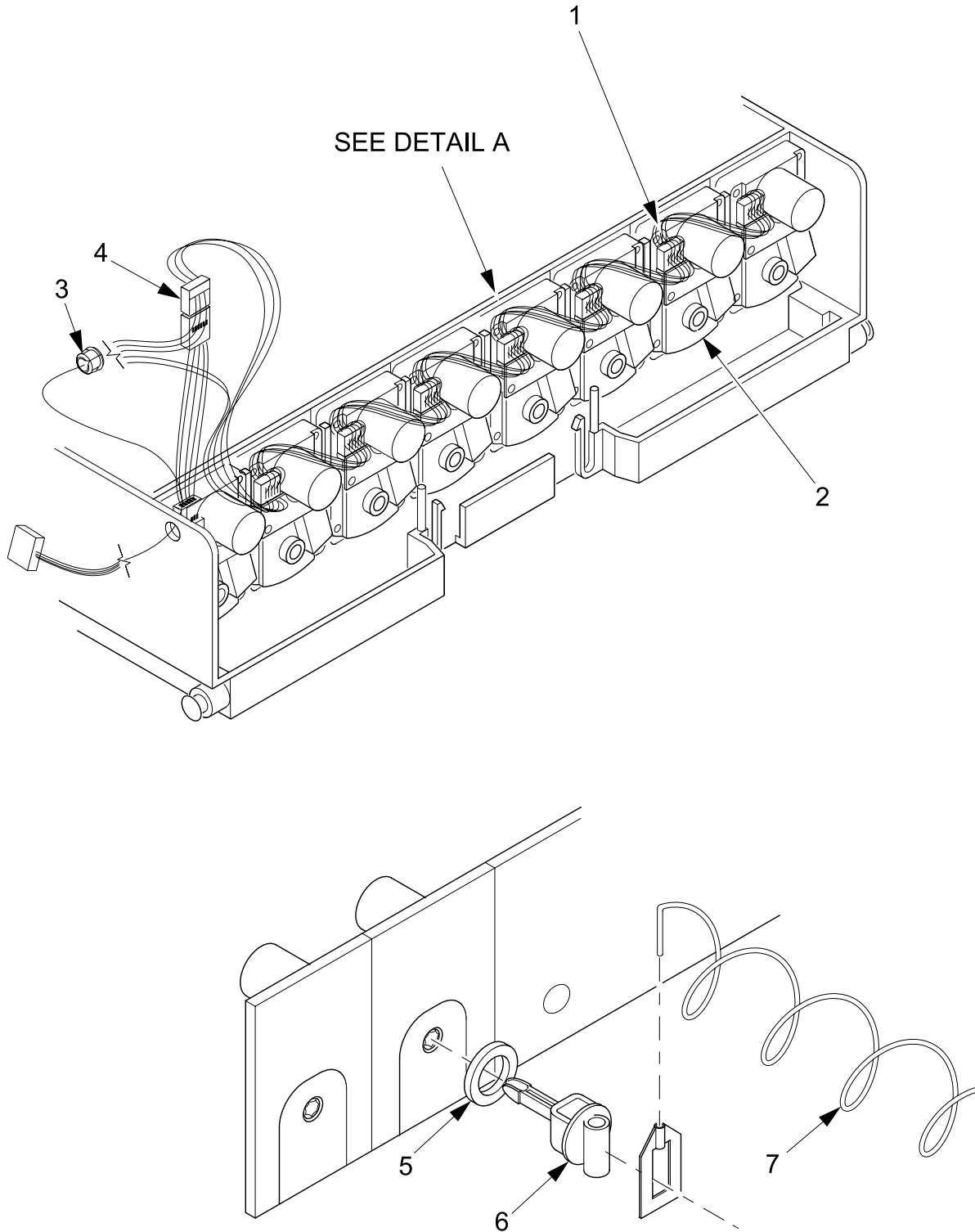


FIGURE 25: BOTTLE TRAY

TABLE 25: BOTTLE TRAY

INDEX	PART NUMBER	DESCRIPTION	QTY
--	7807000	BOTTLE TRAY ASSEMBLY	--
1	7807005	TRAY ASSEMBLY WELDED	1
2	--	PRICE ROLLS (SEE TABLE 26A ON PAGE 54)	--
3	1577047	LABEL-ITEM LETTERS-A0-A9	1
	1577048	LABEL-ITEM LETTERS-B0-B9	1
	1577049	LABEL-ITEM LETTERS-C0-C9	1
	1577050	LABEL-ITEM LETTERS-D0-D9	1
	1577051	LABEL-ITEM LETTERS-E0-E9	1
	1577052	LABEL-ITEM LETTERS-F0-F9	1
4	7807002	HOLDER-PRICE & SELECTION	1
5	2222031	TEE BOLT-TRIM	3
6	7807001	RAIL-PRICE & SELECTION	1
7	5560113	WASHER-HOPPER RELEASE	3
8	9900030	NUT #8-32 SELF-LOCKING	3
9	1477017	LATCH	1
10	7801055	SLIDE-TRAY	2
11	4312217	SCREW#8-32 X.50 PHILLIPS-PN HD	4
12	9989821	BUSHING-0.512 DIAMETER	1
13	1477175	WALL-TRAY	7
14	3502078	RIVET-POP-.125 DIA X .265	7



DETAIL A

780p0028

FIGURE 26: BOTTLE TRAY - REAR

TABLE 26: BOTTLE TRAY - REAR

INDEX	PART NUMBER	DESCRIPTION	QTY.
1	7809007	HARNESS-8 MOTOR TRAY	1
2	1577038	MOTOR & PC BOARD ASSEMBLY	8
3	9989821	BUSHING-0.512 DIAMETER	1
4	1599024	HARNESS-MOTOR COUPLER	--
5	4407803	SPACER-MOTOR	1
6	1477113	COUPLING-SPIRAL	8
7	--	SPIRAL (SEE TABLE 26B ON PAGE 55)	--

TABLE 26A: PRICE ROLLS (FOR TRAYS)

PART NUMBER	DESCRIPTION
1477014	PRICE ROLL - CENTS
1477015	PRICE ROLL - DOLLARS
1687001	PRICE ROLL - 1 TO 25 PRICE - DOLLARS
1687002	PRICE ROLL - 26 TO 50 PRICE - DOLLARS
1672065	PRICE ROLL - PRICE - UK - RANGE 1-5 KB
1472273	PRICE ROLL - U.K. - 1L/10L 40P/95P
1472274	PRICE ROLL - U.K. - 1L/10L 8P/35P
1572205	PRICE ROLL - UK - 36P TO 62P + FREE KB
1572206	PRICE ROLL - UK, 63P TO 90P, KB
1477123	PRICE ROLL - 0 TO 25 - UK/GER/FR KB
1577004	PRICE ROLL - 000 TO 250 YEN
1577003	PRICE ROLL - 1 TO 9/10 TO 90 YEN
1577005	PRICE ROLL - 260 TO 500 YEN
1577006	PRICE ROLL - 510 TO 760 YEN
1577007	PRICE ROLL - 770 TO 990 YEN

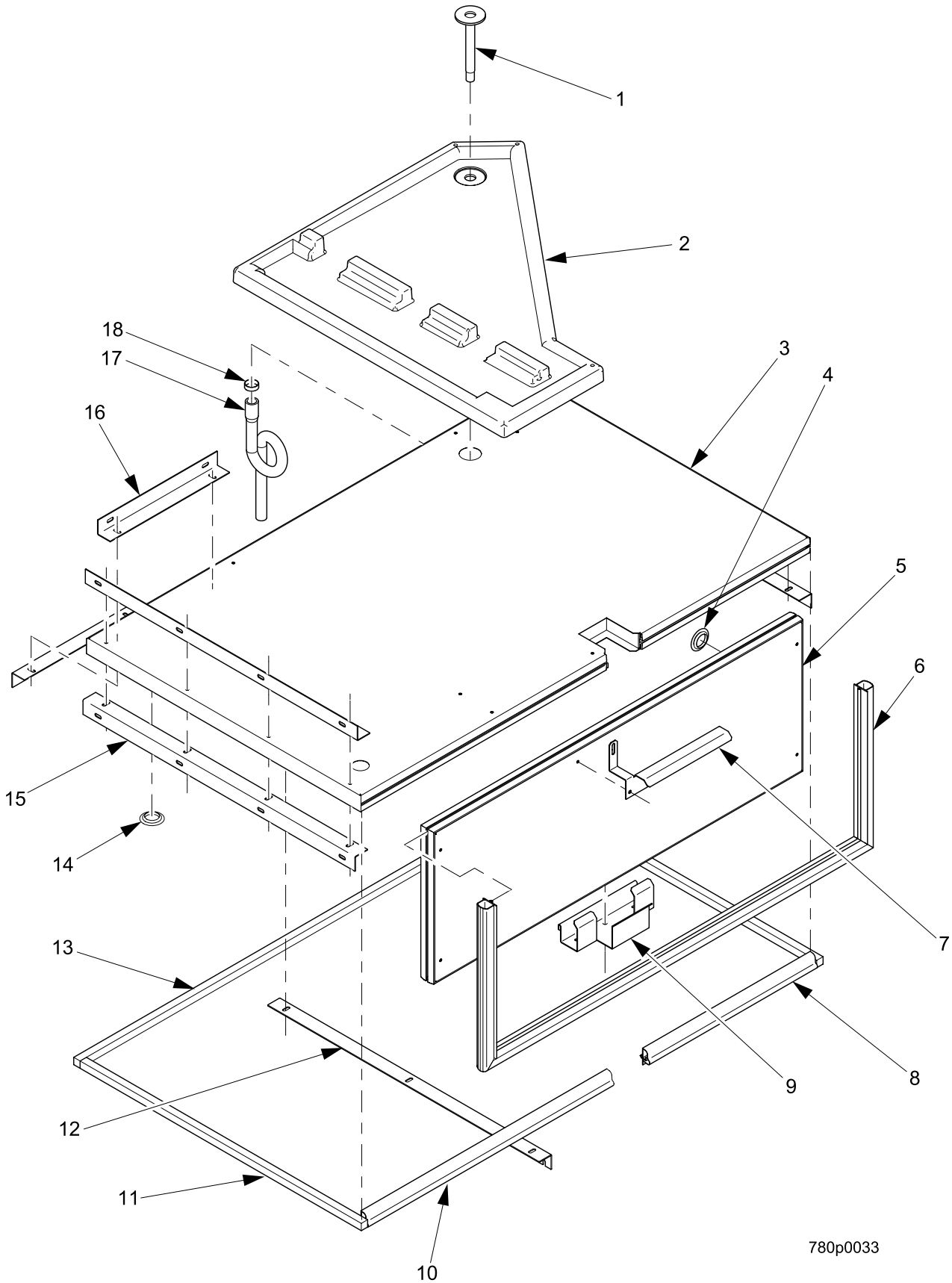
TABLE 26B: SPIRAL OPTIONS

		COUNTER CLOCKWISE LEFT HAND		CLOCKWISE RIGHT HAND		
SPIRAL COUNT	RETAINER COLOR	ASSEMBLY	SPIRAL	ASSEMBLY	SPIRAL	RETAINER
6	PURPLE	1477103	1477102	1477105	1477104	1477107
9	GRAY	1477152	1477153	1477149	1477150	1477155
11	BLUE	1477023	1477024	1477026	1477027	1457061
13	YELLOW	1477029	1477030	1477032	1477033	1457062
15	RED	1477035	1477036	1477038	1477039	1457063
17	BROWN	1477101	1477100	1477099	1477098	1477106
20	WHITE	1477041	1477042	1477044	1477045	1457064
25	GREEN	1477047	1477048	1477050	1477051	1457065
30	BLACK	1477053	1477054	1477056	1477057	1477073
38	ORANGE	1477059	1477060	1477062	1477063	1467137

Note:
Bottle trays use a 3.25" diameter spiral.

TABLE 26C: BOTTLE TRAY

BOTTLE TRAY SPIRAL OPTION				
SPIRAL COUNT	RETAINER COLOR	ASSEMBLY	SPIRAL	RETAINER
6	DARK GREEN	7807011	7807003	4407822

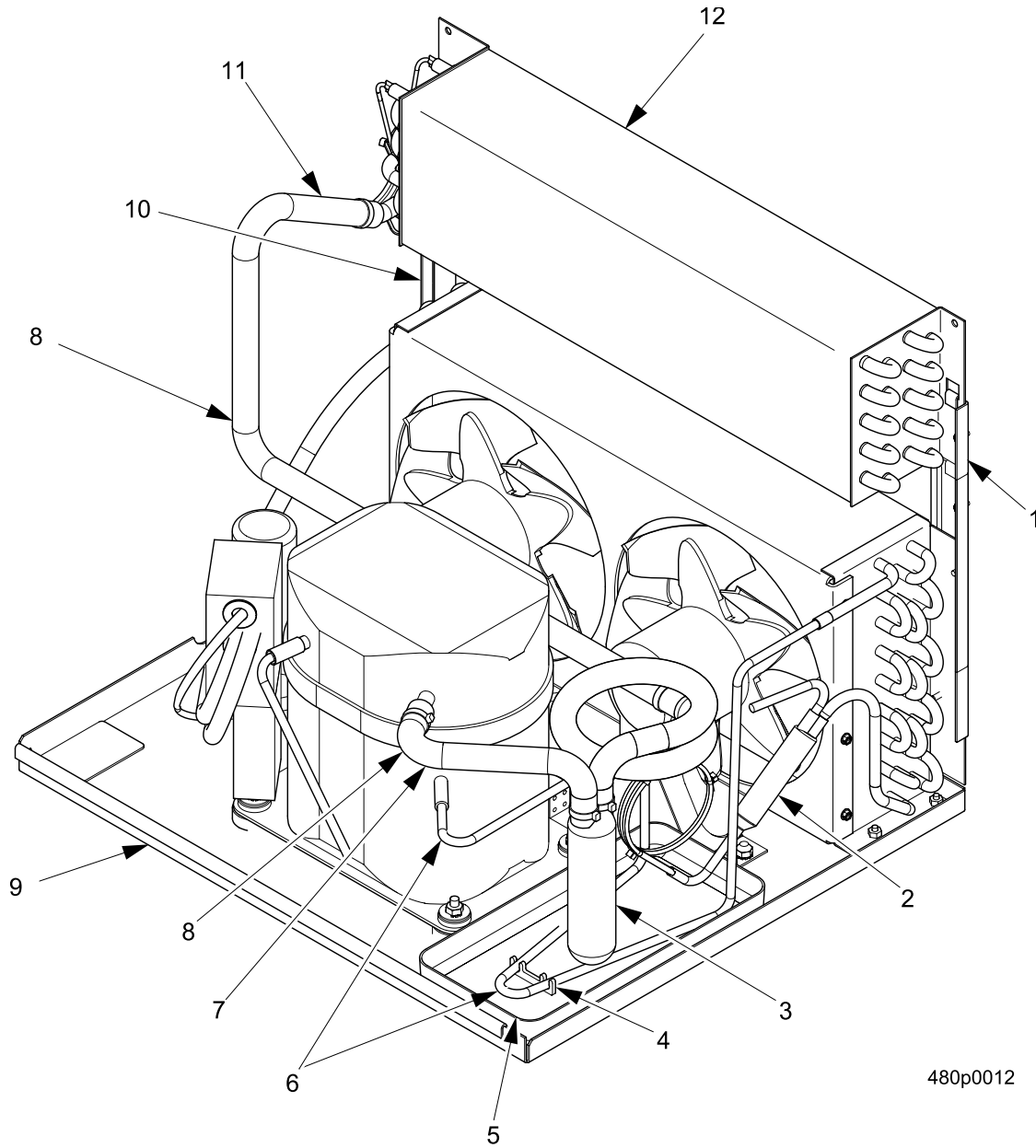


780p0033

FIGURE 27: EVAPORATOR PAN ASSY

TABLE 27: EVAPORATOR PAN ASSY

INDEX	PART NUMBER	DESCRIPTION	QTY
1	3128063	DRAIN-WATER BATH	1
2	7801036	DRAIN PAN	1
3	7801165	DIVIDER SHELF	1
4	6231034	PLUG-HOLE	1
5	7801132	VERTICAL WALL ASSY FOAMED	1
6	7801015	GASKET-VERTICAL WALL	1
7	7801163	BRACKET UPPER VERTICAL WALL	1
8	7801062	GASKET-HORZ. SHELF SHORT	1
9	7801162	BRACKET LOWER VERTICAL WALL	1
10	7801061	GASKET-HORZ. SHELF LONG	1
11	4727069	GASKET-.19X.38	2
12	7801182	ANGLE AIR SEAL	1
13	7801064	GASKET-HORIZONTAL SHELF BACK	1
14	6231034	PLUG-HOLE	2
15	7801137	BRACKET LONG HORZ. SHELF	3
16	7801138	BRACKET SHORT HORIZ. SHELF	2
17	4321042	HOSE-DRAIN	1
18	3154059	CLAMP-STAINLESS STEEL	1



480p0012

FIGURE 28: REFRIGERATION ASSY (1 OF 2)

TABLE 28: REFRIGERATION ASSY (1 OF 2)

INDEX	PART NUMBER	DESCRIPTION	QTY
--	7804000	REFRIG. ASSY MODEL 780, 115V	--
	7804001	REFRIG. ASSY MODEL 780, 220V	1
1	7804008	BRACKET-SHIPPING-LEFT	1
2	4364034	FILTER/DRIER-REFRIGERANT	1
3	4244009	ACCUMULATOR P-H 22-056380-01	1
4	4304076	SPACER-COMP.DISCH.TUBE	1
5	4324030	PAN-CONDENSATE	1
6	4324027	TUBE-DISCH LINE-COMPR TO CON	1
7	4324006	INSULATION-TUBE-5X.1875 CPE	59.5
8	4324025	TUBE-SUCTION LINE-ACCUM TO COM	1
9	4324004	BASE/STUD ASSY-REFRIG. UNIT	1
10	7804011	BRACKET-SHIPPING/SEALING RIGHT	1
11	7804010	HEAT EXCHANGER ASSY	1
13	7804006	EVAPORATOR COIL 4 ROW	1

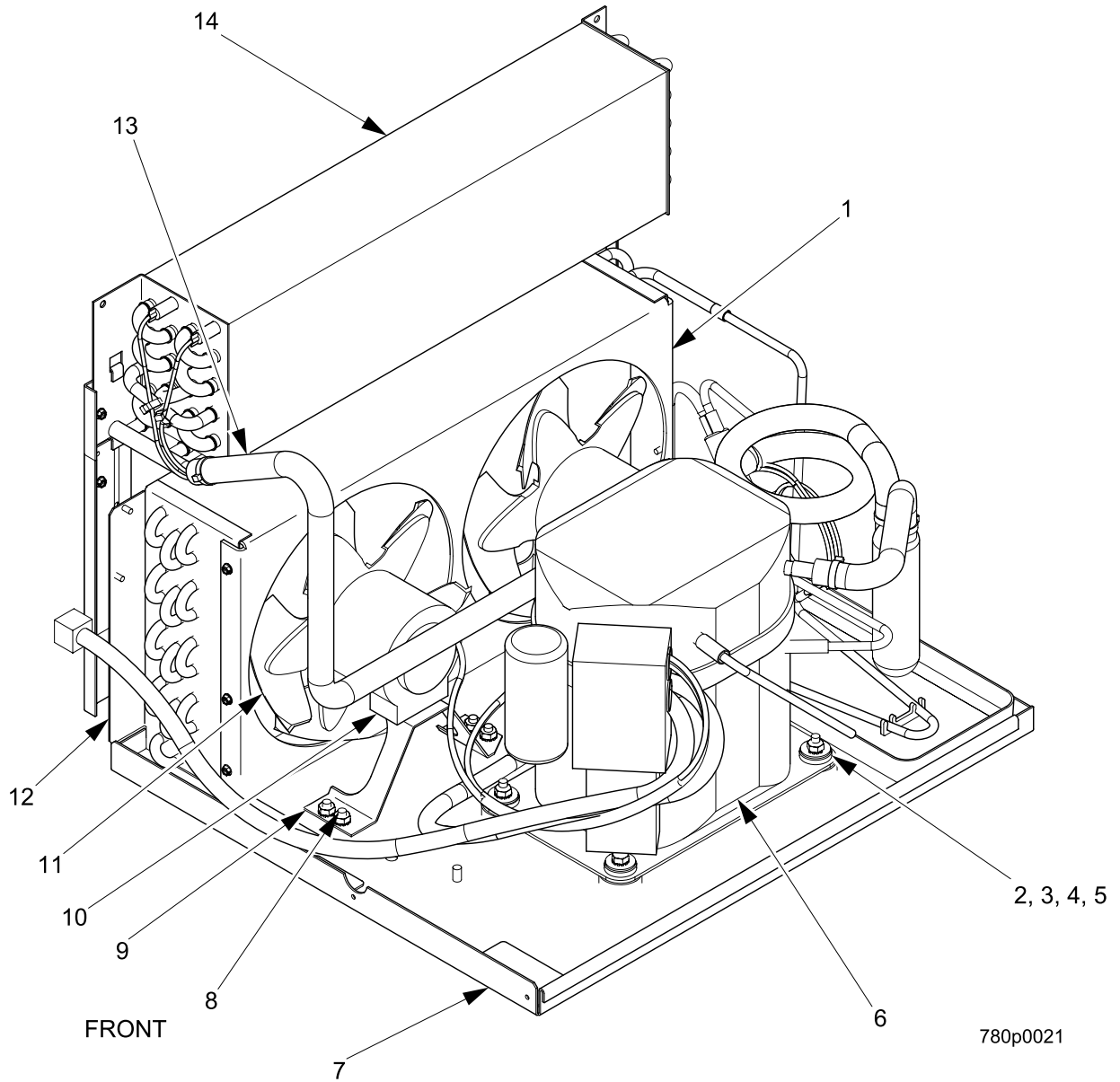
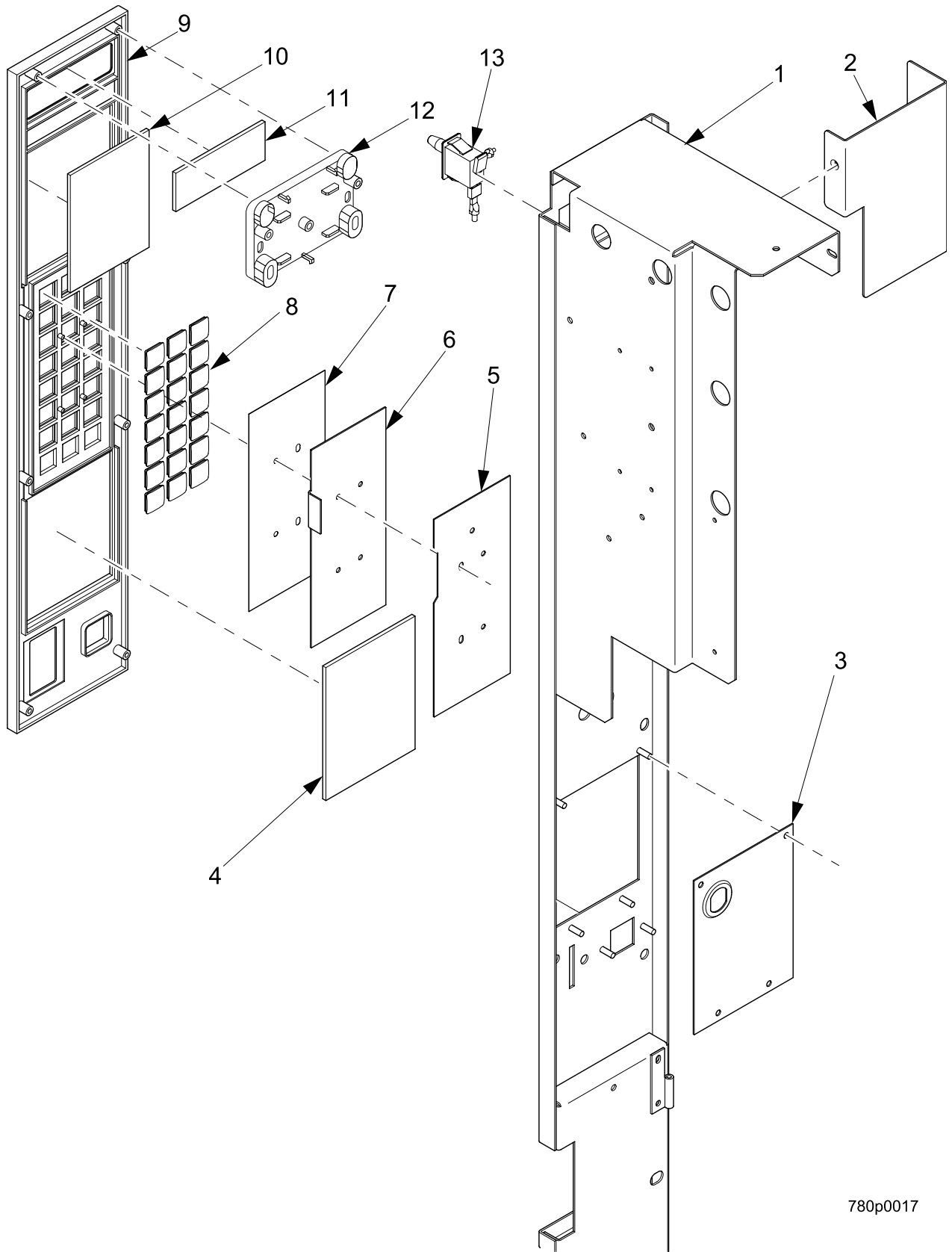


FIGURE 29: REFRIGERATION ASSY (2 OF 2)

TABLE 29: REFRIGERATION ASSY (2 OF 2)

INDEX	PART NUMBER	DESCRIPTION	QTY
1	4324016	SHROUD-CONDENSER-CARDBOARD	1
2	1211105	1/4-20 KEPS NUT EXT LW ZP	4
3	4304236	WASHER-.88 O.D.X.38 I.D.X.063	4
4	4324012	GROMMET-11/16 HEIGHT	4
5	4324013	SLEEVE-11/16 LENGTH	4
6	4274000	COMPRESSOR-AKA4460YXA 115V 60H	1
	4314055	COMPRESSOR-AKA4476YXC 220V-R134A	
7	4324004	BASE/STUD ASSY-REFRIG. UNIT	1
8	9900081	NUT #8-32 KEPS ZINC PLATE	4
9	4324044	BRACKET-MOTOR MOUNT	2
10	4304092	MOTOR-CONDENSER FAN-115V 60HZ	2
	4774122	MOTOR-CONDENSER FAN-230V	
11	7214014	BLADE-CONDENSER FAN	2
12	4324014	CONDENSER-9 X 17.5 3R7 FPI	1
13	7804010	HEAT EXCHANGER ASSY	1
14	7804006	EVAPORATOR COIL 4 ROW	1



780p0017

FIGURE 30: MONETARY ASSY

TABLE 30: MONETARY ASSY

INDEX	PART NUMBER	DESCRIPTION	QTY
1	7805008	PANEL-MONETARY-WELD ASSY	1
2	1575029	COVER-DISPLAY	1
3	1575048	PLATE-INSERT BACKING	1
4	1575035	INSERT-INSTR-LOWER-ENGLISH	1
5	1575091	PLT-SELECT SW.-BACKUP-W/STUD	1
6	7215019	MEMBRANE SWITCH ASSY-SELECT	1
7	1575010	LETTER SHEET-SELECT SWITCH	1
--	1475089	1/8 NUT-SELF-THREADING	4
8	1472251	LENS-PUSH BUTTON	21
--	1575098	FACEPLATE ASSEMBLY-W/COIN OPT.	--
9	1575001	SELECTION PANEL-MONETARY	1
10	1572013	LENS-DISPLAY	1
11	1675006	INSERT-INSTR.-UPPER-SUREVEND	1
--	9989823	DISPLAY W/BRACKET ASSEMBLY	--
12	1475099	BRACKET-PCB-DISPLAY	1
13	1401110	SWITCH	1

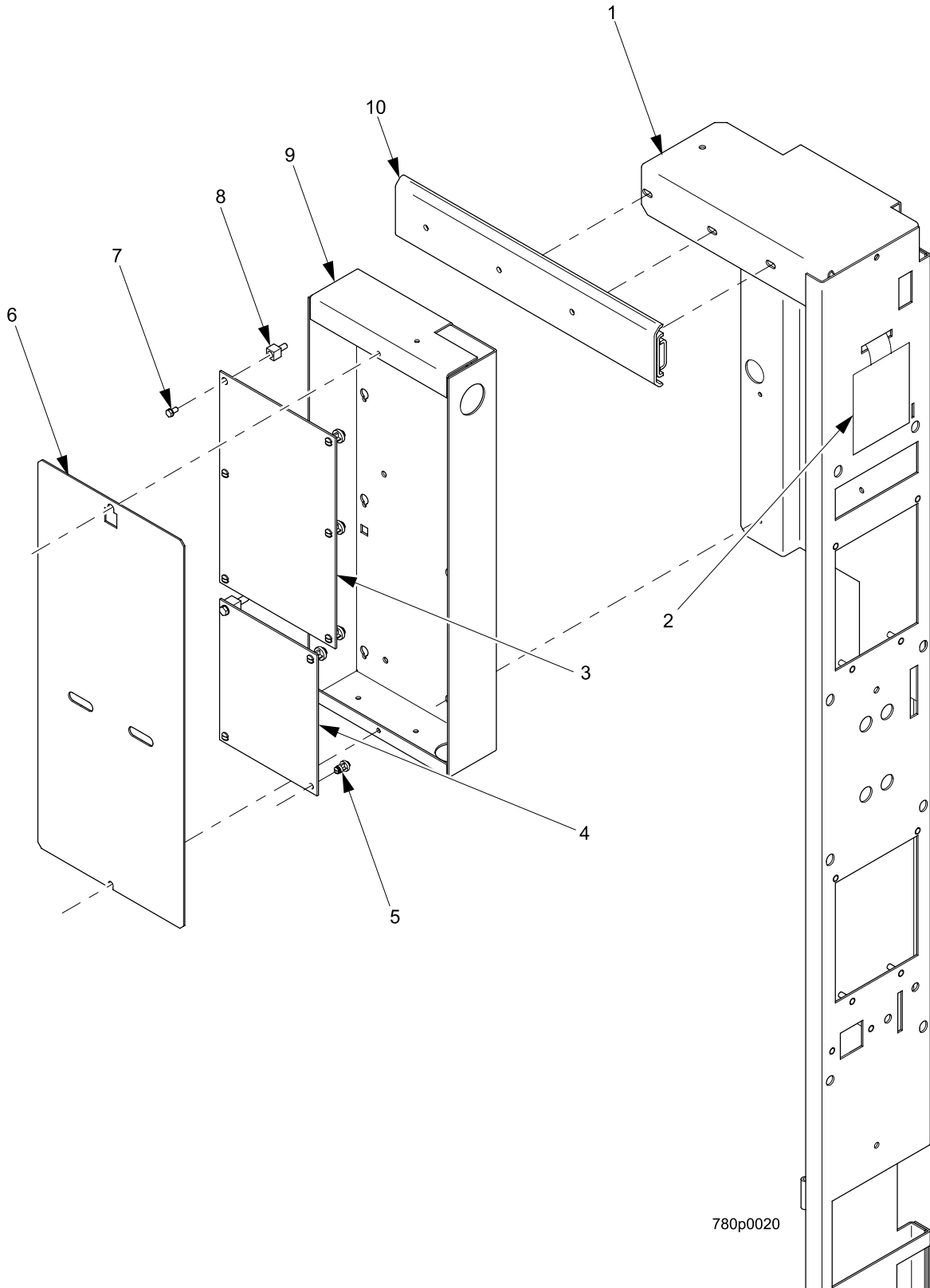
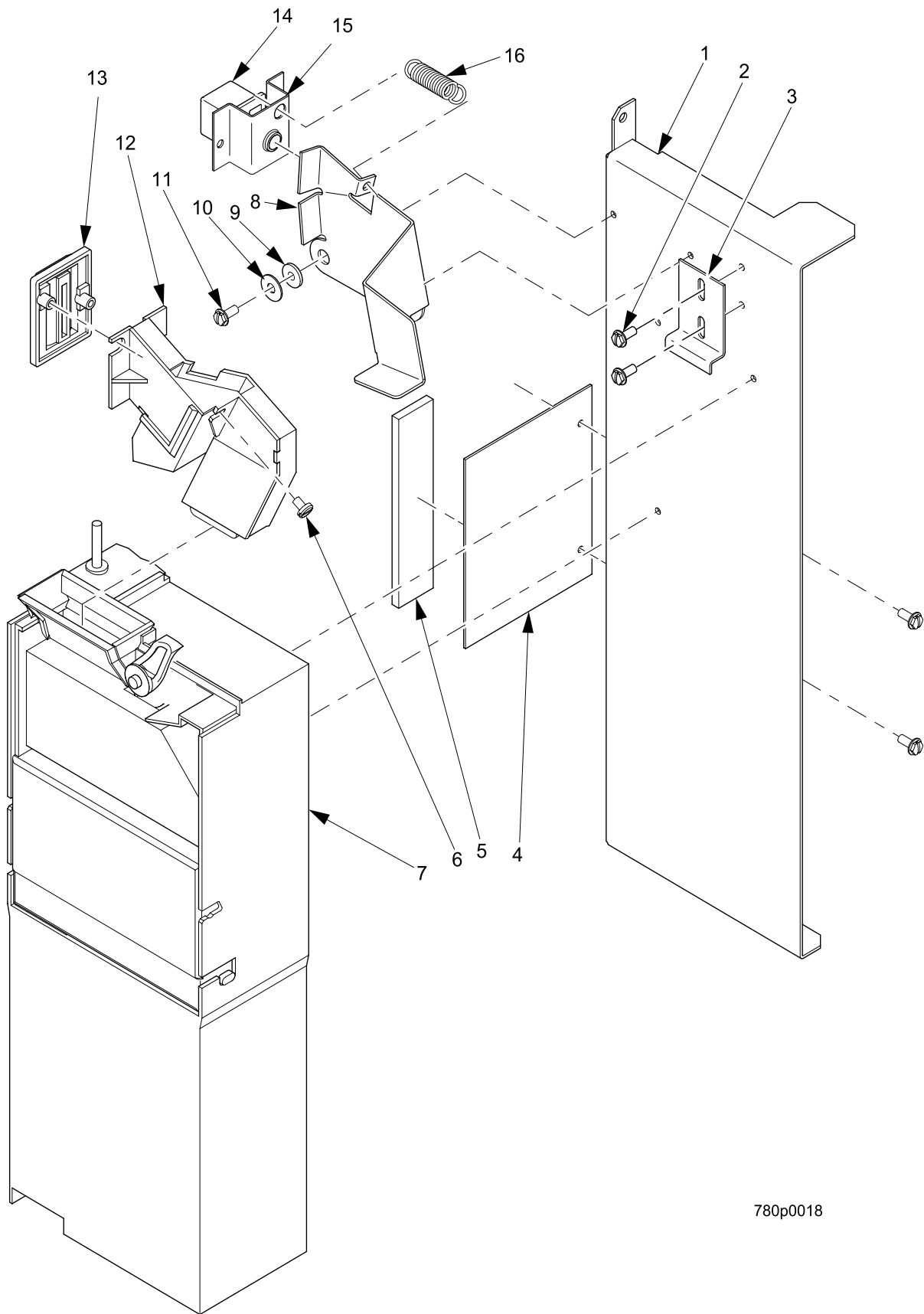


FIGURE 31: PCB HOUSING

TABLE 31: PCB HOUSING

INDEX	PART NUMBER	DESCRIPTION	QTY
1	7805008	PANEL-MONETARY-WELD ASSY	1
--	7806000	MAIN CONTL.PCB W.EMPROM-780	--
2	7215025	MEMBRANE SWITCH ASSY-PROGRAM	1
3	9989755	PCB-MAIN CONTROLLER	1
--	7806004	IC ASSY-VERSION 780.02(NOT SHOWN)	--
4	1576008	PCB-SNACK INTERFACE	1
5	1571036	STANDOFF-PCB-.375 KEY SLOT	10
6	7805002	COVER-HOUSING-PCB	1
7	1471199	SCREW-#8-18 X .62 HEX/WH.	2
8	1571034	STANDOFF-PCB-3/8 SCREW MOUNT	2
9	7805001	HOUSING-PCB	1
10	7211229	SLIDE-MONETARY	2



780p0018

FIGURE 32: COIN MECH BRACKET

TABLE 32: COIN MECH BRACKET

INDEX	PART NUMBER	DESCRIPTION	QTY
1	7805007	BACKBOARD & HINGE ASSY	1
2	9900106	SCREW #8-32 X 3/8 ACORN HEX HD	2
3	6231037	CLAMP-CABLE	1
4	7805009	BRACKET-MAGNET	1
5	3122056	MAGNET-RETAINR-COIN CHANGER KB	1
6	6237049	SCREW-#8-16X.25-SLTD-PHS	2
--	2302053	SPACER-CUP(NOT SHOWN)	4
7	--	COIN MECH (SEE TABLE 33D ON PAGE 70)	OPT
8	1571113	ARM-SCAVENGER	1
9	2204093	WASHER-SCAVENGER BAR	1
10	2228011	SPACER-RELEASE ARM	1
11	4741050	SCREW-#8-32 X .50 HX.HD.-T/F-B	1
12	1575003	COIN CHUTE ASSEMBLY	1
13	1472223	COIN INSERT	1
14	1475026	BUTTON-COIN RETURN	1
--	1475072	SHAFT-RETURN BUTTON(NOT SHOWN)	1
15	1571079	BRACKET-COIN RETURN BUTTON	1
16	1127808	SPRING-SHELF RESET	1

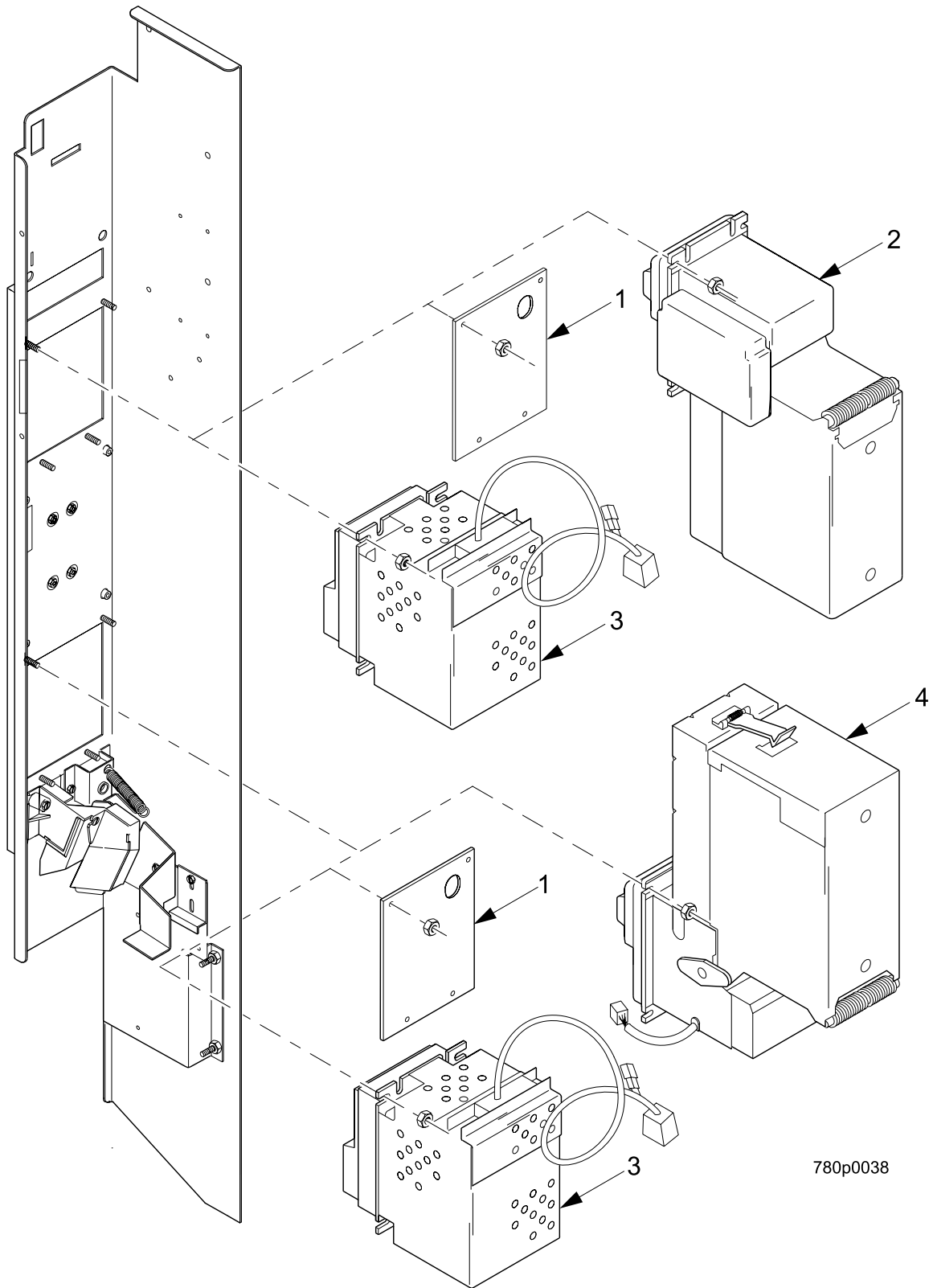


FIGURE 33: CARD READER AND BILL VALIDATOR COMBINATIONS

TABLE 33: CARD READER AND BILL VALIDATOR COMBINATIONS

INDEX	PART NUMBER	DESCRIPTION	QTY
1	1575048	PLATE-INSERT BACKING	1
2	--	DOWNSTACK BILL VALIDATOR	OPT
3	--	CARD READER (SEE TABLE 33B ON PAGE 70)	OPT
4	--	UPSTACK BILL VALIDATOR (SEE TABLE 33C ON PAGE 70)	OPT

TABLE 33A: MONETARY CAPABILITY

MONETARY CAPABILITY	MONETARY PANEL LOCATION		WITH COIN?
	UPPER	LOWER	
COIN - VAL - CARD	CARD READER	UPSTACK VALIDATOR	YES
COIN - VAL - CARD	DOWNSTACK VALIDATOR	CARD READER	YES
COIN - VALIDATOR	INSERT INSTRUCTIONS BACK-UP PLATE (1575048)	UPSTACK VALIDATOR	YES
COIN - VALIDATOR	DOWNSTACK VALIDATOR	INSERT INSTRUCTIONS BACK-UP PLATE (1575048)	YES
COIN - CARD	INSERT INSTRUCTIONS BACK-UP PLATE (1575048)	CARD READER	YES
COIN - CARD	CARD READER	INSERT INSTRUCTIONS BACK-UP PLATE (1575048)	YES
VALIDATOR - CARD	DOWNSTACK VALIDATOR	CARD READER	NO
VALIDATOR - CARD	CARD READER	DOWNSTACK VALIDATOR	NO
COIN ONLY	INSERT INSTRUCTIONS BACK-UP PLATE (1575048)	INSERT INSTRUCTIONS BACK-UP PLATE (1575048)	YES
VALIDATOR ONLY	INSERT INSTRUCTIONS BACK-UP PLATE (1575048)	UPSTACK VALIDATOR	NO
VALIDATOR ONLY	DOWNSTACK VALIDATOR	INSERT INSTRUCTIONS BACK-UP PLATE (1575048)	NO
CARD ONLY	CARD READER	INSERT INSTRUCTIONS BACK-UP PLATE (1575048)	NO
CARD ONLY	INSERT INSTRUCTIONS BACK-UP PLATE (1575048)	CARD READER	NO

Note:
All Items are secured with four Nuts (p/n 9900081).
Shaded Items Represent Alternate Configurations

TABLE 33B: CARD READER OPTIONS

PART NUMBER	DESCRIPTION
5900246	DEBITEK - KVIS - MDB
1575050	BRACKET - DEBITEK CONTROLLER

TABLE 33C: BILL VALIDATOR OPTIONS

PART NUMBER	DESCRIPTION	HARNESS
5900210	W/MARS VN2512-U5M**MDB**-S	1679054
5900247	W/MARS AE2612-U5M**MDB**-S	1679054
5900303	W/VAL-COINCO BP4SX SV	
5900267	P W/CONLUX NBM-3140**MDB***-	

TABLE 33D: COIN MECHANISM OPTION

PART NUMBER	DESCRIPTION
5900289	MARS COIN-VN4510*MDB*-DBL
5900279	CONLUX CCM5G-4 1N 1D 2Q 1\$
5900307	MEI CF7512 1N,1D,2Q,\$
5900295	CONLUX 5TB CCM5G1 1D,1N,3Q
5900293	CONLUX CCM56-2 2N,2D,1Q
5900269	COINCO USQ G701 MDB-4 TUBE
5900270	COINCO USQ G702 MDB-2Q,1N,
5900243	MARS TRC6512***"MDB"***COIN
5900213	COINCO 9302-GX*"MDB"***COIN
5900310	MARSCF 7512 2Q,2N,1D
5900313	COINCO VORTEX CHANGER
5900214	COINUNIT-MEI-VN4510-5/10/25/\$1
5900276	COIN UNIT-VN4510-5/10/25/25 KB

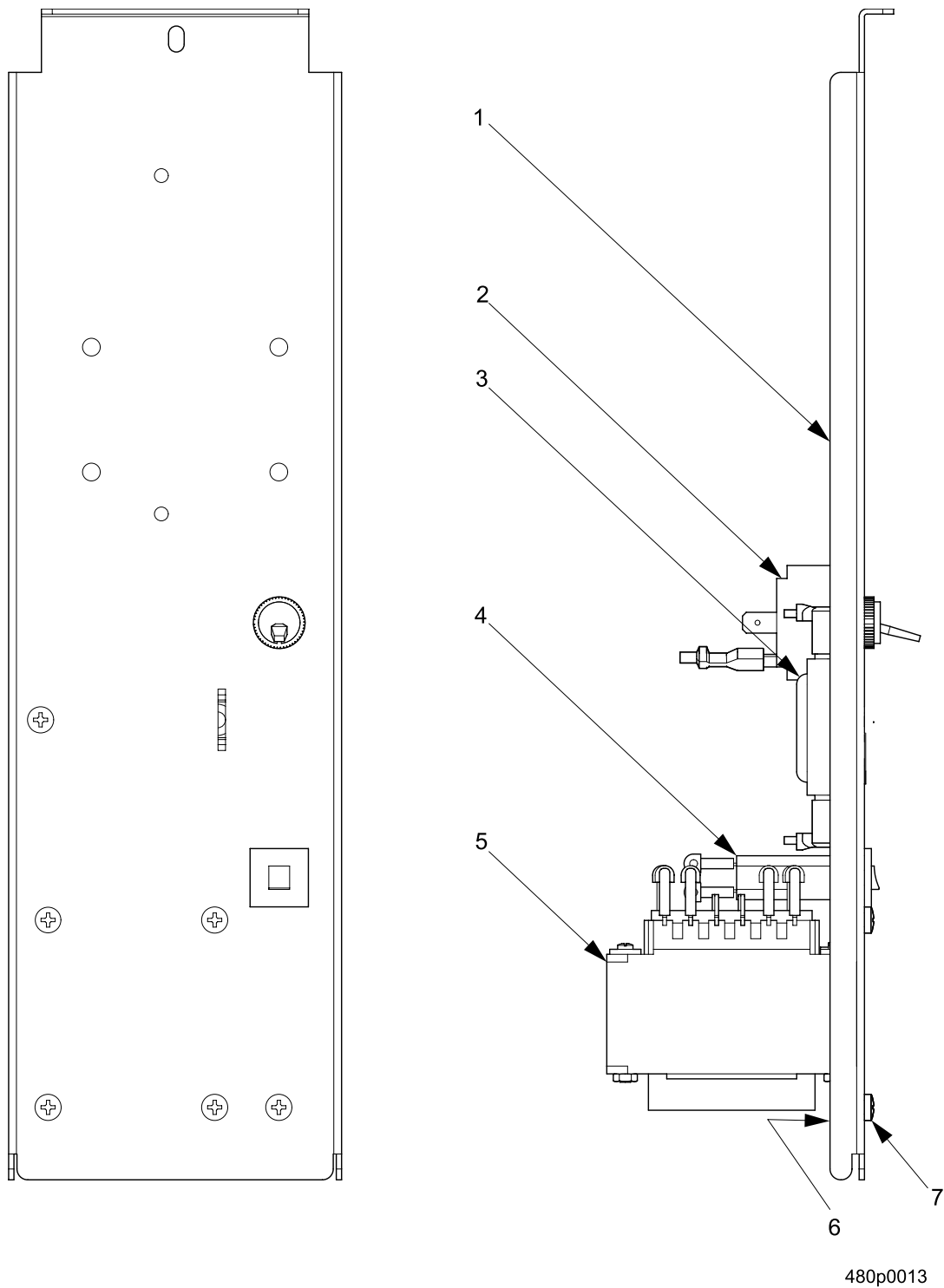


FIGURE 34: POWER PANEL ASSY

Section F: Monetary and electronics Refreshment Center Parts Manual

TABLE 34: POWER PANEL ASSY

INDEX	PART NUMBER	DESCRIPTION	QTY
--	3281092	POWER PANEL ASSY-DOM. 20 AMP	--
	4521053	POWER PANEL ASSY-230V-U.K.	
1	1701025	PLATE-HOUSING-PANEL(CP7-7)	1
2	9984629	SWITCH-TOGGLE-DPST-20AMP	1
3	9989100	INTERFERENCE FILTER	1
4	9989674	CIRCUIT BREAKER-4 AMP	1
5	9989046	24V XFMR-DUAL PIR.-.187 TERM.	1
6	9900081	NUT #8-32 KEPS ZINC PLATE	6
7	9900118	SCREW-#8-32 X 3/8 PHS	6

TABLE 35: HARNESESSES

CONNECTOR	HARNESS	PART NUMBER
J1	HARNESS-MAIN CONTROL TO SENSOR	1679012
J2	HARNESS-EMITTER TO DETECTOR	1679013
J30	CABLE RIBBON-16 CONDUCTOR	1579008
J31	JUMPER-TEMP & DRIVER	7809001
J33	HARNESS-CONTROL TO DISPLAY	1599200
J34	HARNESS-MAIN CONTROL TO SENSOR	1679012
J35	HARNESS-POWER PANEL	6739021
J36	HARNESS-DEX INTERFACE	1679056
J37	HARNESS-24VAC PCB & COIN POWER	9989750
J38	HARNESS-24VAC PCB & COIN POWER	9989750
J39	HARNESS-MONETARY***"MDB"***	1679054
J45	HARNESS-CONTROL TO DISPLAY	1599200
J46	MEMBRANE SWITCH ASSY-SELECT	7215019
J47	SWITCH ASSY-FREE VEND	9989639
J48	JUMPER-MONETARY DOOR SWITCH	1579009
J49	SERVICE KEYPAD ASSEMBLY	1575046
J50	JUMPER-DOOR POWER	7809020
J51	JUMPER-DOOR POWER	7809020
J52	JUMPER-DOOR POWER	7809020
J53	JUMPER-DOOR POWER	7809020
J55	CABLE RIBBON-16 CONDUCTOR	1579008
J58	HARNESS-7 TRAY CHANNEL	7809011
J59	HARNESS-7 TRAY CHANNEL	7809011
J60	HARNESS-7 TRAY CHANNEL	7809011

TABLE 35: HARNESESSES

CONNECTOR	HARNESS	PART NUMBER
J61	HARNESS-24VAC PCB & COIN POWER	9989750
J71	HARNESS-COMPRESSOR & FAN	7809022
J82	HARNESS-POWER PANEL	6739021
J83	HARNESS-POWER PANEL	6739021
J90	HARNESS-COMPRESSOR & FAN	7809022
J92	HARNESS-24VAC PCB & COIN POWER	9989750
J93A	HARNESS-24VAC PCB & COIN POWER	9989750
J94	HARNESS-POWER PANEL	6739021
J96	JUMPER-TRANSFORMER-120V-PRM.	1709001
J97	HARNESS-POWER PANEL	6739021
J100	JUMPER-INTERLOCK-DOMESTIC	1579010
J127	HARNESS-COMPRESSOR & FAN	7809022
J133	HARNESS-LIGHT & FILTER ASSY	7809005
J133A	HARNESS-LIGHT & FILTER ASSY	1679005
J135	JUMPER BALLAST & HEATER	7809021
J179	JUMPER-COMP & EVAP FAN	7809003

TABLE 35A: BAG ASSEMBLY

PART NUMBER	DESCRIPTION
B7800003X	BAG ASSEMBLY:15
1477015	ROLL-PRICE DOLLARS (KB)
1477083	RETAINER-SPIRAL-WALL
1577047	LABEL-ITEM LETTERS-A0-A9
1577048	LABEL-ITEM LETTERS-B0-B9
1577049	LABEL-ITEM LETTERS-C0-C9
1577050	LABEL-ITEM LETTERS-D0-D9
1577051	LABEL-ITEM LETTERS-E0-E9
1577052	LABEL-ITEM LETTERS-F0-F9
7800007	OPERATORS GUIDE RC-1
7809016	LIST-HARNESS-780-115V
7809017	LIST-HARNESS-781-115V

Refreshment Center Parts Manual

Part Number Index

Part Number	Page	Part Number	Page	Part Number	Page
Numerics		1477048	53	1572213	5
1101906	27	1477050	53	1572223	5
1127808	65	1477051	53	1572224	5
1211105	59	1477053	53	1572227	7
1211141	25	1477054	53	1572269	3
1211161	31, 35	1477056	53	1572292	5
1401110	61	1477057	53	1572303	21
1411194	39	1477059	53	1572304	21
1411195	39	1477060	53	1572315	17, 19
1451097	25, 31, 35	1477062	53	1572316	21
1457061	53	1477063	53	1572318	21
1457062	53	1477073	53	1572319	21
1457063	53	1477074	41	1572320	21
1457064	53	1477083	71	1572323	5
1457065	53	1477097	41, 45	1572330	21
1467137	53	1477098	53	1572334	21
1470761	27	1477099	53	1572335	21
1470811	41	1477100	53	1572353	17
1470812	45	1477101	53	1572356	21
1471098	37	1477102	53	1572357	21
1471199	63	1477103	53	1572386	21
1471237	37	1477104	53	1572387	21
1472178	11	1477105	53	1572396	11
1472223	65	1477106	53	1572397	11
1472251	61	1477107	53	1572398	11
1472273	52	1477113	43, 47, 51	1572407	21
1472274	52	1477123	52	1572408	21
1472454	5	1477134	41, 45	1572410	19
1475026	65	1477148	41, 45	1572416	17, 19
1475072	65	1477149	53	1572417	19
1475089	61	1477150	53	1572420	17
1475099	61	1477152	53	1572421	17
1477014	52	1477153	53	1572423	17
1477015	52, 71	1477155	53	1572424	19
1477017	41, 45, 49	1477157	41, 45	1572425	17
1477020	43	1477175	41, 45, 49	1572452	17
1477022	43	1571034	63	1575001	61
1477023	53	1571036	63	1575003	65
1477024	53	1571074	25	1575010	61
1477026	53	1571079	65	1575029	61
1477027	53	1571113	65	1575035	61
1477029	53	1571115	37	1575046	70
1477030	53	1572010	11, 13	1575048	61, 67
1477032	53	1572011	13	1575050	68
1477033	53	1572013	61	1575091	61
1477035	53	1572196	11	1575098	61
1477036	53	1572199	11	1576008	63
1477038	53	1572203	11	1577003	52
1477039	53	1572204	11	1577004	52
1477041	53	1572205	52	1577005	52
1477042	53	1572206	52	1577006	52
1477044	53	1572209	5	1577007	52
1477045	53	1572210	5	1577038	43, 47, 51
1477047	53	1572212	5	1577040	41, 45

Part Number Index**Refreshment Center Parts Manual**

Part Number	Page	Part Number	Page	Part Number	Page
1577047	49, 71	3154059	55	5900289	68
1577048	49, 71	3281092	70	5900293	68
1577049	49, 71	3502078	49	5900295	68
1577050	49, 71	4241148	35	5900303	68
1577051	49, 71	4242145	29	5900307	68
1577052	49, 71	4244009	57	5900310	68
1579008	70	4245082	13	5900313	68
1579009	70	4245084	13	6231034	55
1579010	71	4245085	13	6231037	65
1581050	39	4274000	59	6231087	39
1596014	35	4301285	7	6231242	25
1597001	41	4302134	35	6232031	29
1597002	45	4304076	57	6232036	29
1599024	51	4304092	59	6237049	65
1599200	70	4304236	59	6332009	31
1670912	11	4311068	37	6732034	9, 31
1670913	11	4312217	49	6739021	70, 71
1670914	11	4314014	33	7211229	63
1671041	5	4314055	59	7214014	59
1672050	23	4321042	55	7215019	61, 70
1672051	23	4321150	25	7215025	63
1672065	52	4321156	25	7800007	71
1672082	13	4324004	57, 59	7801015	55
1675006	61	4324006	57	7801036	55
1676000	23	4324012	59	7801049	35
1676011	23	4324013	59	7801052	35
1677193	41, 45	4324014	59	7801055	49
1679005	71	4324016	59	7801061	55
1679010	43	4324025	57	7801062	55
1679011	47	4324027	57	7801064	55
1679012	70	4324030	57	7801073	25
1679013	70	4324044	59	7801074	25
1679054	68, 70	4364034	57	7801075	25
1679056	70	4402043	33	7801076	25
1687001	52	4407822	53	7801077	25
1687002	52	4521053	70	7801078	33
1701025	70	4721035	17	7801081	37
1702023	7	4727069	55	7801096	29
1709001	71	4741050	65	7801107	25
2204093	65	4744031	33	7801120	25
2221908	11	4774122	59	7801121	5
2221920	27	5201267	45	7801124	25
2222031	41, 45, 49	5560113	41, 45, 49	7801125	31
2222603	27	5900210	68	7801126	31
2222604	27	5900213	68	7801127	31
2228011	65	5900214	68	7801131	33
2302053	5, 13, 65	5900243	68	7801132	55
2302218	9, 31	5900246	68	7801137	55
2342315	9	5900247	68	7801138	55
2366135	25	5900267	68	7801139	33
3104124	33	5900269	68	7801141	31
3122056	65	5900270	68	7801142	31, 35
3128063	55	5900276	68	7801143	25
3151058	31	5900279	68	7801144	33

Refreshment Center Parts Manual

Part Number Index

Part Number	Page	Part Number	Page	Part Number	Page
7801145	33	7802050	7	7809007	51
7801147	25	7802051	9	7809011	70
7801148	33	7802053	3	7809016	71
7801150	33	7802054	3	7809017	71
7801151	33	7802055	3	7809020	70
7801152	33	7802056	3	7809021	71
7801153	31	7802057	3	7809022	71
7801154	25	7802059	3	9900030	41, 45, 49
7801155	33	7802060	3	9900081	17, 59, 70
7801159	35	7802070	7	9900098	39
7801162	55	7802072	7	9900106	65
7801163	55	7802073	17	9900118	70
7801165	35, 55	7802077	15	9900141	21
7801166	35	7802078	15	9900152	11
7801168	25	7804000	57	9900160	13
7801169	35	7804001	57	9900184	17, 19
7801170	35	7804006	57, 59	9900218	37
7801174	35	7804008	57	9900437	17, 19
7801175	35	7804010	57, 59	9983778	25
7801181	35	7804011	57	9984629	70
7801182	55	7804013	33	9987852	35
7802000	13	7805001	63	9989046	70
7802001	3, 29	7805002	63	9989100	70
7802010	15	7805007	65	9989639	70
7802011	7	7805008	61, 63	9989674	70
7802017	7	7805009	65	9989750	70, 71
7802018	15	7806000	63	9989755	63
7802019	9	7806004	63	9989821	43, 47, 49, 51
7802024	15, 17, 19	7807000	49	9989823	61
7802030	15	7807001	49	9989886	25
7802031	7	7807002	49	9989887	25
7802032	17, 19	7807003	53	9994002	11
7802033	17, 19	7807005	49	9994400	11
7802034	23	7807011	53	9995002	11
7802035	15	7809001	70	9995400	11
7802036	15, 17, 19	7809003	71	B7800003X	71
7802043	23	7809005	9, 31, 71		