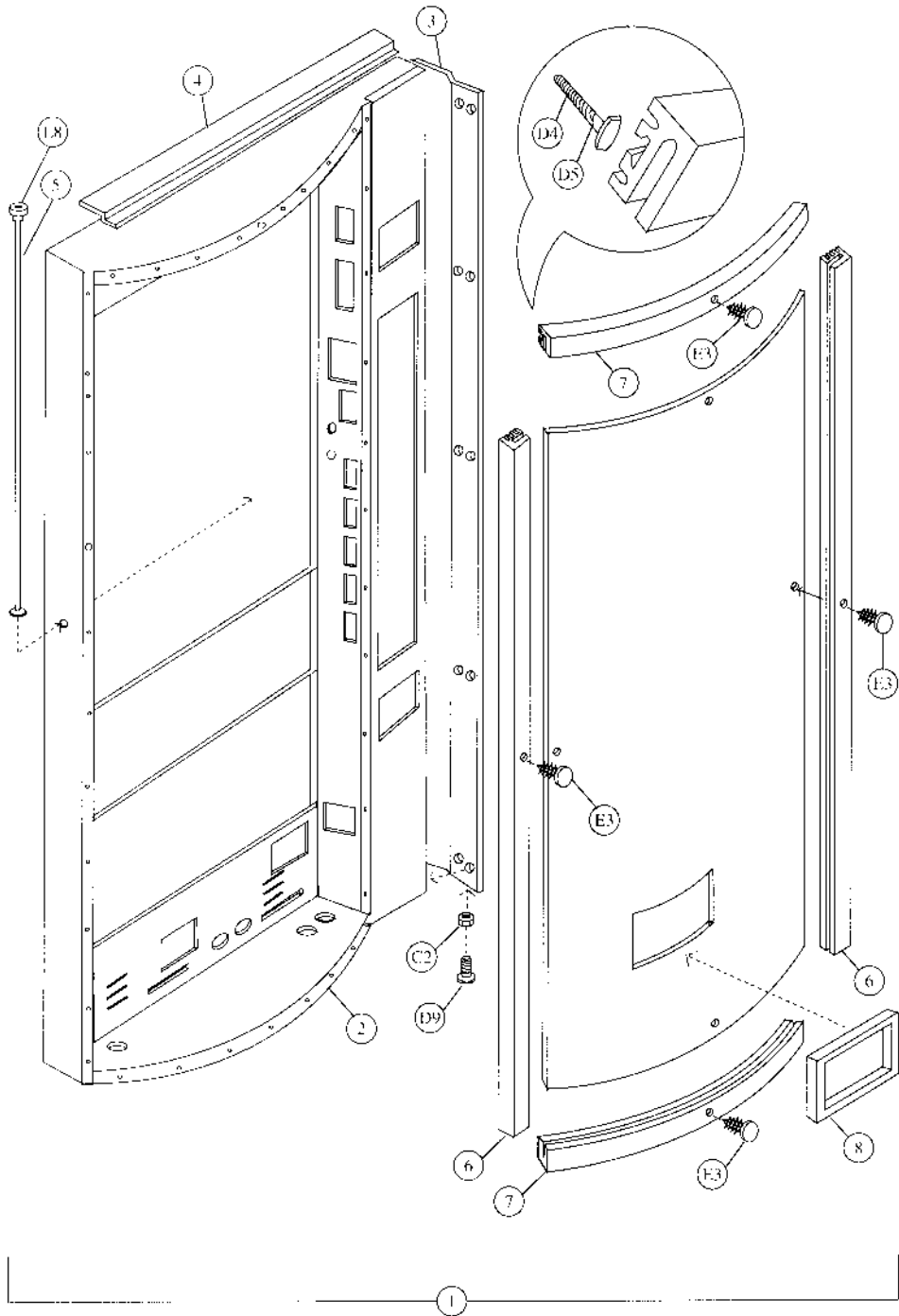




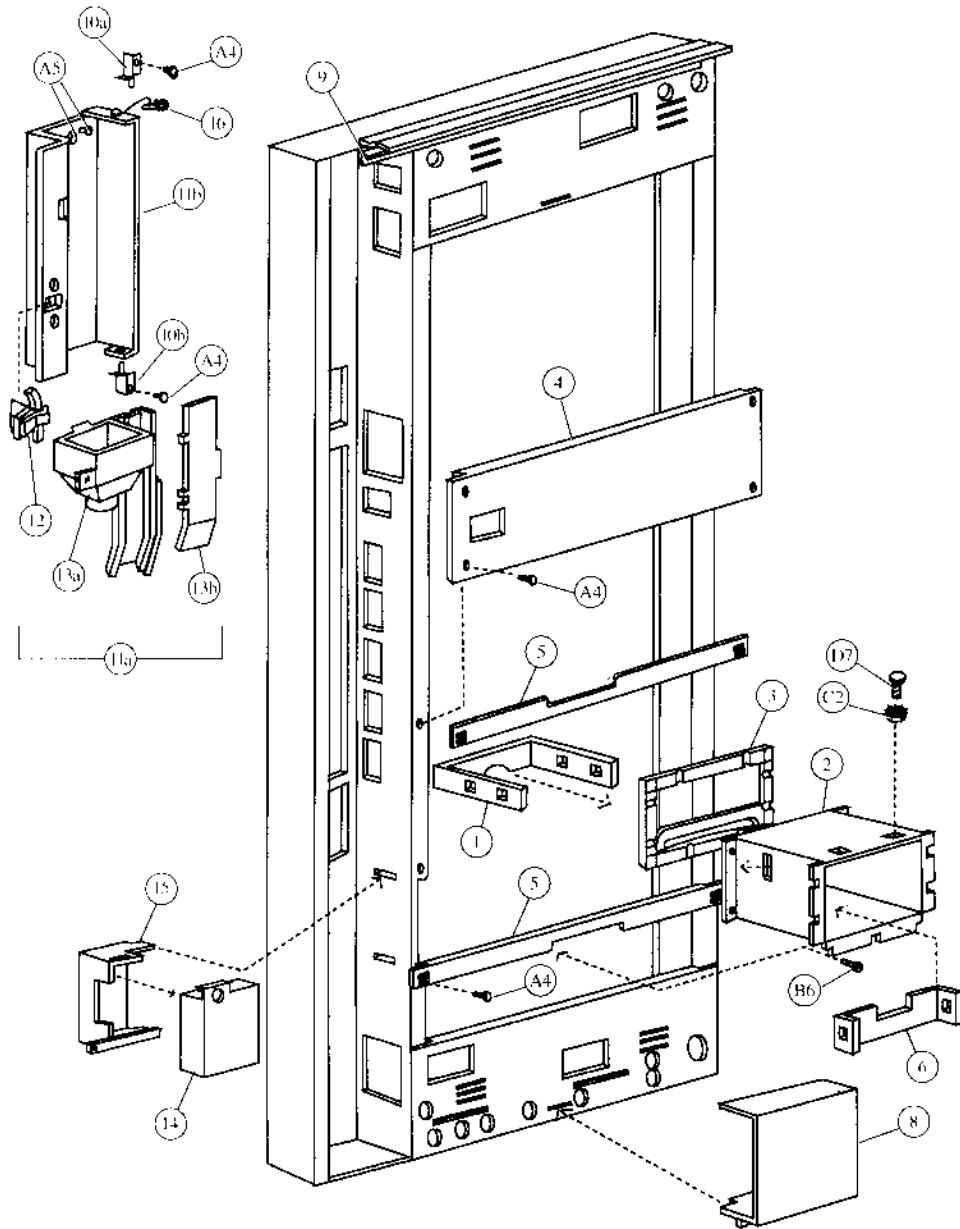
Pepsi (Magnum Cir.) DNCB 168MC

Dimensions	56 1/16" H x 28 3/16" W x 30 1/2" D (1440mm H x 719mm W x 775mm D)
Dimensions Less Door	56 1/16" H x 28 3/16" W x 27 1/2" D (1440mm H x 719mm W x 698mm D)
Approximate Weight	464 lbs. (211kg)
Selections/Columns	6/6
Total 12 oz. (330ml) Cans Capacity/Vend	174/162
Column Capacity 12 oz. (330ml) Cans	3 Single Columns - 20 Each 3 Double Columns - 38 Each

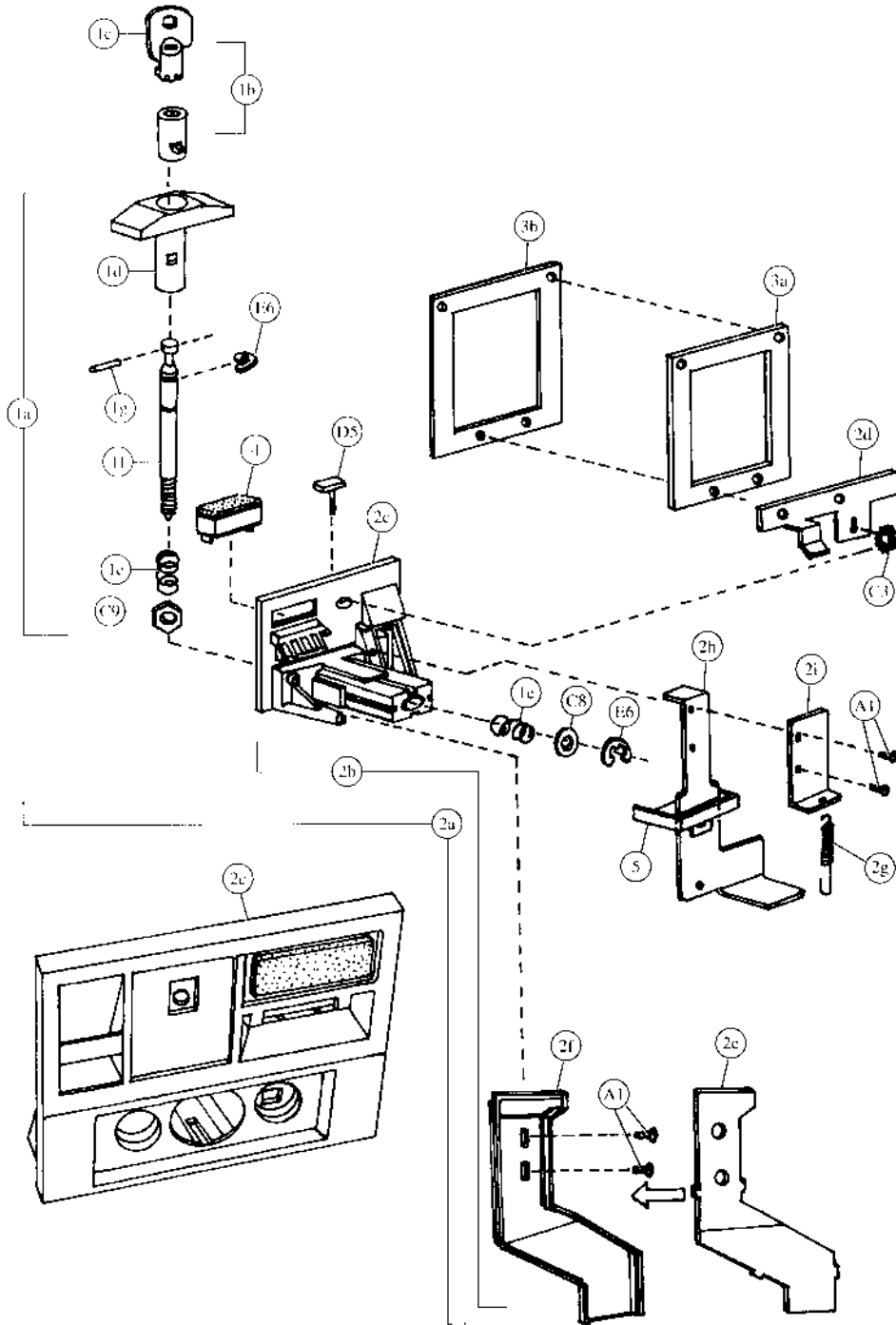
Main Door - Exterior - Pepsi (Magnum Circular)



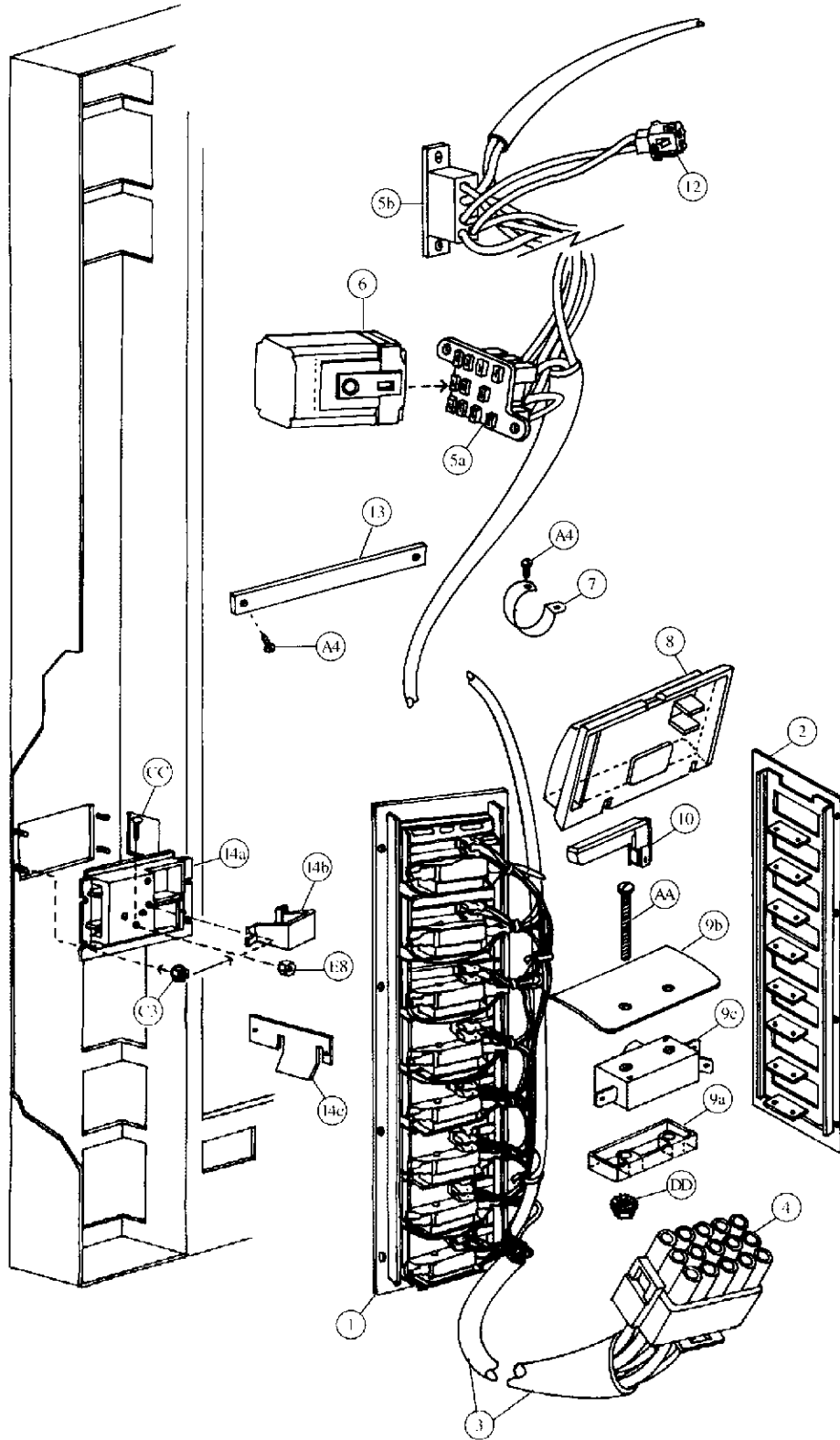
Main Door - Interior - Pepsi (Magnum Circular)



Pull-Out Handle & Coin Insert - Pepsi (Magnum Circular)



Select Panel - Pepsi (Magnum Circular)

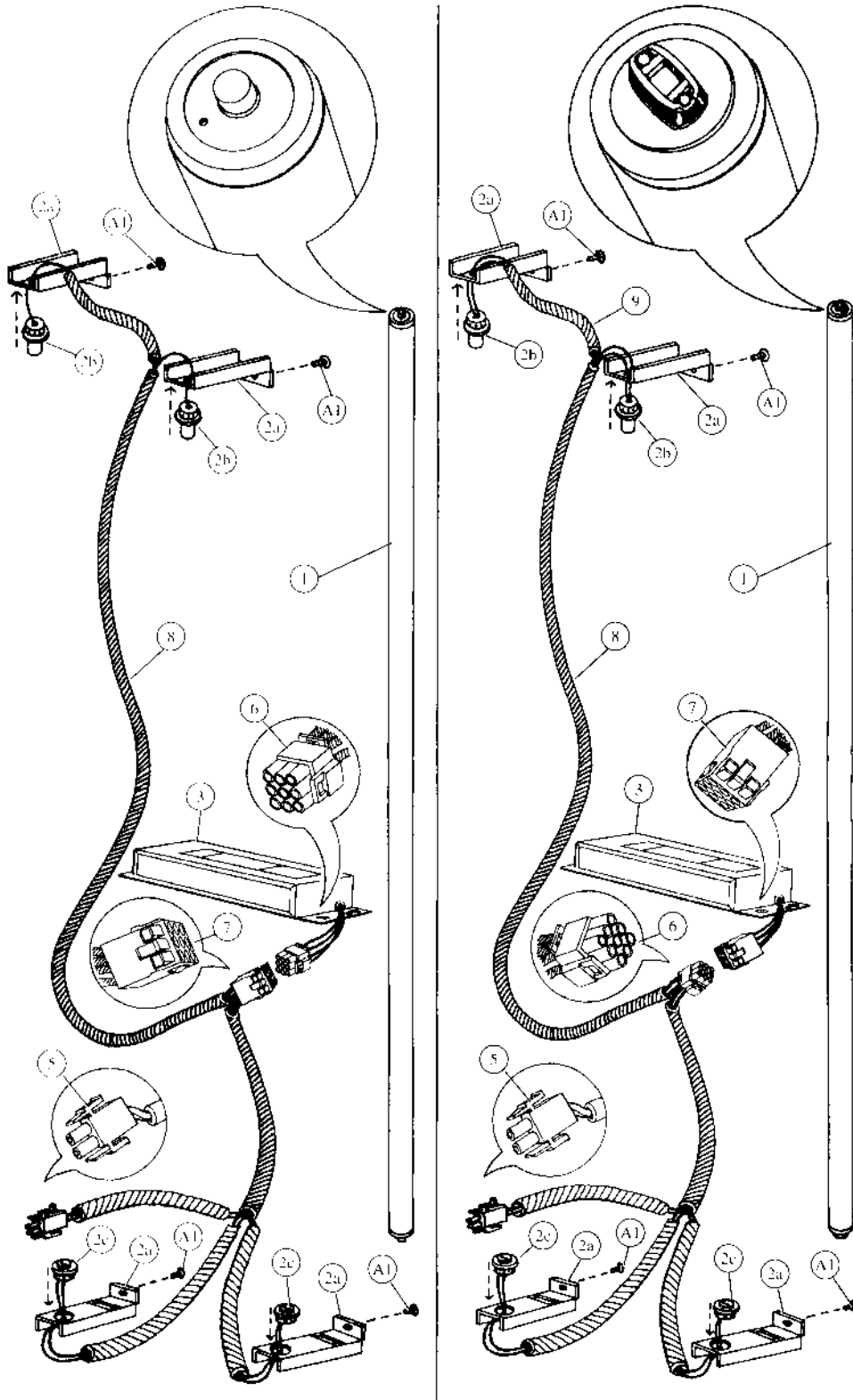


Select Panel - Pepsi (Magnum Circular)

Item	Part Number	Part Name And Description
1	488,050,300.03	Select Panel Assembly (specify harness)
2	488,050,200.03	Select Panel, w/a
3	See list below	168 Door Harness (6 select)
	804,903,710.11	Single Price & Single Price - IEC Standard
	804,903,840.11	Two Price & Two Price - IEC Standard
	804,904,010.11	Four Price & Four Price - IEC Standard
4	904,600,830.01	15-Way Plug
5a	904,600,620.01	Socket, Relay
5b	904,600,600.01	Socket, Coin Changer
6	804,200,170.01	Vend Relay (single price only)
7	901,901,890.01	1" Clamp
8	801,805,110.01	Button (small rectangle)
9a	801,804,540.21	Button Stop
9b	801,804,620.11	Switch Shield & Spring, Mylar
9c	804,100,510.21	Select Switch (Unimax A401)
10	804,700,210.01	Sold Out Lamp
11	Indicate Flavor	Flavor Cards (not shown)
12	904,600,700.01	2-Way Cap
13	453,050,140.03	Door Strap
14a	801,805,610.11	Change Cup & Opener Bezel
14b	801,805,530.21	Change Cup
14c	399,050,270.13	Opener Housing Reinforcement Plate
15	901,000,190.01	Crown Puller (not shown)
16	432,050,400.03	Crown Catcher (not shown)
17	432,050,280.33	Crown Chute (not shown)

DD	900,800,490.01	Keps Nut #6 - 32 (12)
CC	900,201,220.11	Machine Screw #8 - 32 x ¾
E8	900,800,510.01	Elastic Stop Nut #8 - 32
A4	900,301,500.01	Screw, Phil Pan #8 - 18 x ½ (2)
A9	900,301,560.01	Sems Screw #8 - 32 x ¾ (7)
D3	900,400,430.01	T-Bolt #8 - 32 x 1 (4)
C3	900,800,500.01	Keps Nut #8 - 32 (14)
AA	900,201,310.01	Screw #6 - 32 x 1¼ (16)

Lighting - Pepsi (Magnum Circular)



Slimline

High-Output

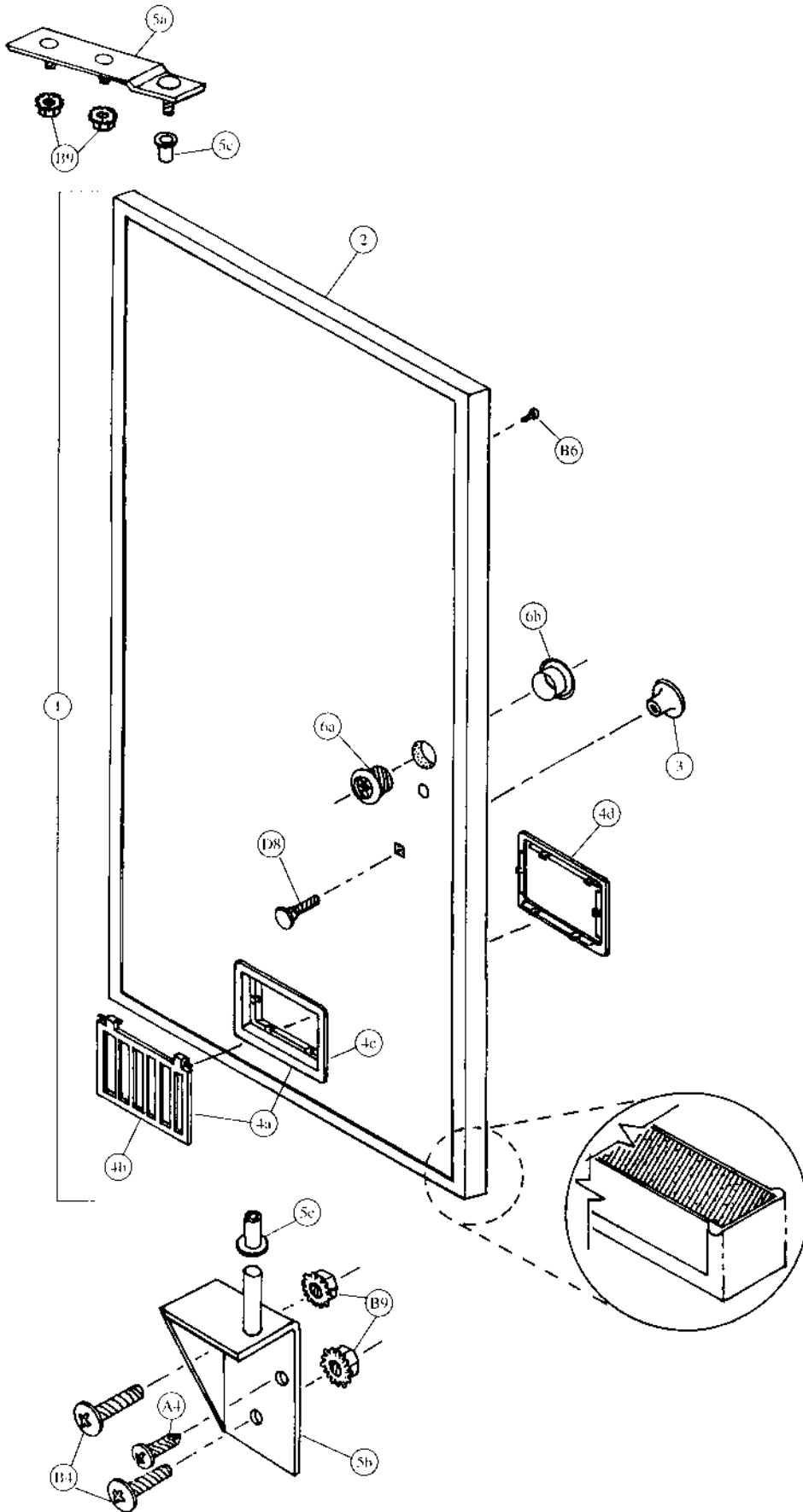
Lighting - Pepsi (Magnum Circular)

Item	Part Number	Part Name And Description
High-Output Lighting		
1	804,700,390.01	Fluorescent Bulb - F48T/HO
2a	432,050,380.63	Door Bracket Lamp Socket
2b	804,901,990.01	Top Lamp Holders - 523
2c	804,902,000.01	Bottom Lamp Holders - 524
3	804,400,380.01	Plug-In Ballast, Advance #VSM/HO
4	904,800,520.01	Connector, Electrical (scotchlock 557)(not shown)
5	904,600,710.01	2-Way Plug
6	904,600,670.01	9-Way Plug
7	904,600,660.01	9-Way Cap
8	804,904,510.21	Plug-In Ballast Harness, High Output
9	804,904,920.21	Lamp Fixture Jumper, High Output

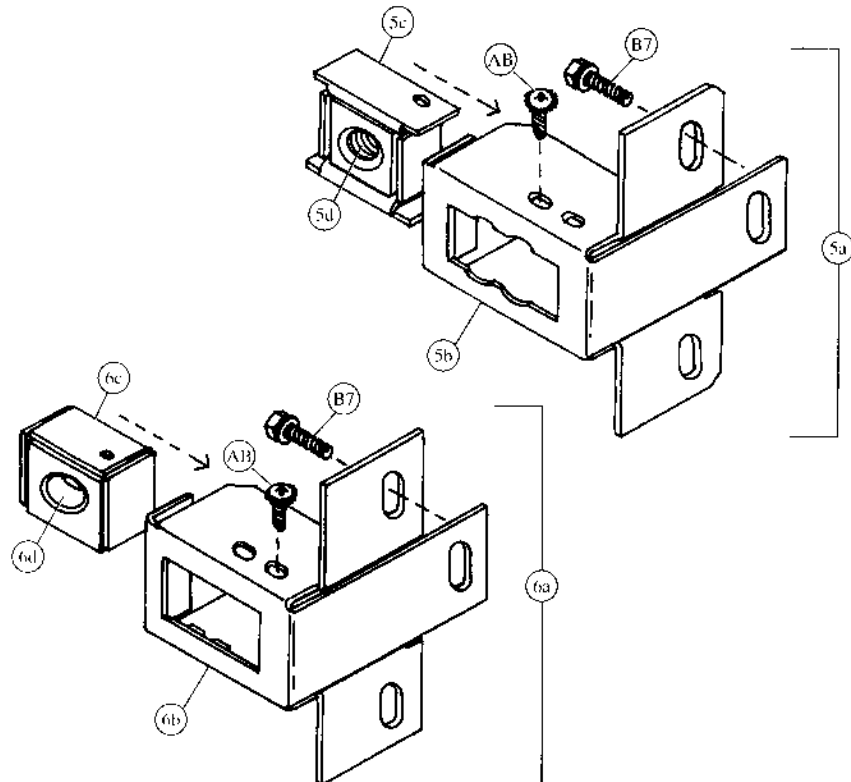
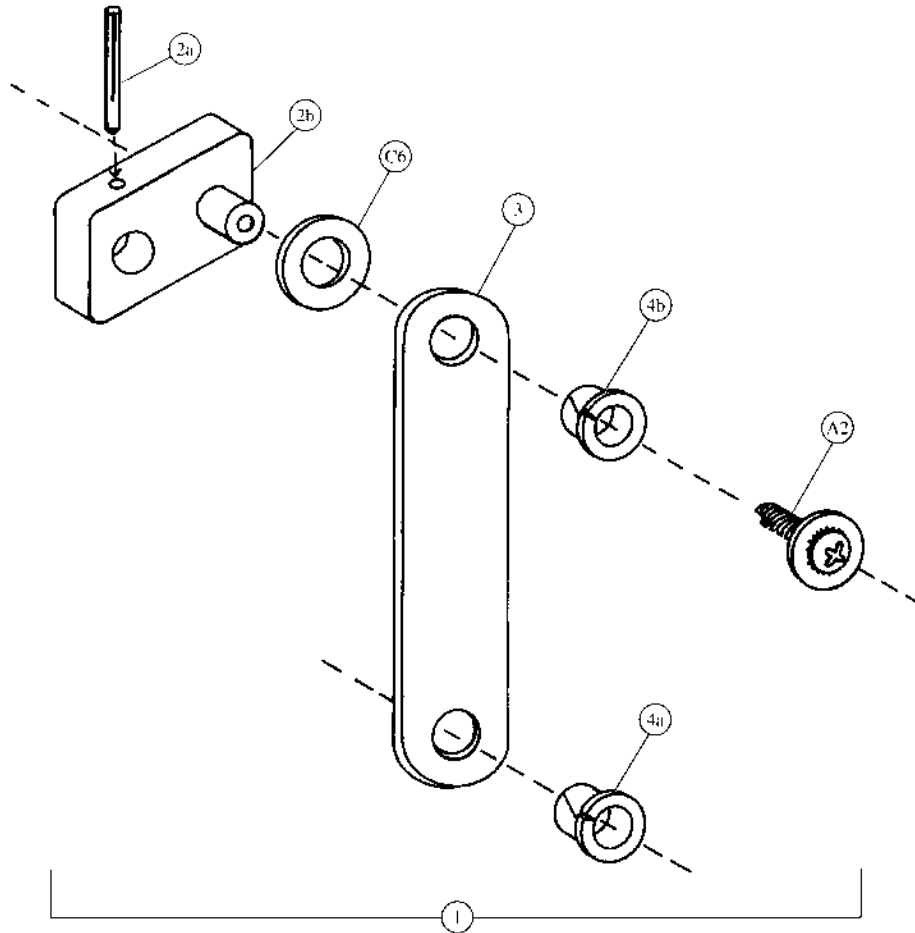
Slimline Lighting		
1	804,700,330.01	Fluorescent Bulb - F48 Slimline
2a	432,050,380.63	Door Bracket Lamp Socket
2b	804,902,020.01	Top Lamp Holders - 516
2c	804,902,030.01	Bottom Lamp Holders - 517
3	804,400,390.01	Plug-In Ballast, Slimline
4	904,800,520.01	Connector, Electrical (scotchlock 557)(not shown)
5	904,600,710.01	2-Way Plug
6	904,600,670.01	9-Way Plug
7	904,600,660.01	9-Way Cap
8	804,904,600.51	Plug-In Ballast Harness, Slimline

A1	900,301,700.01	Sheet Metal Screw #6 - 32 x 3/8 (4)
----	----------------	-------------------------------------

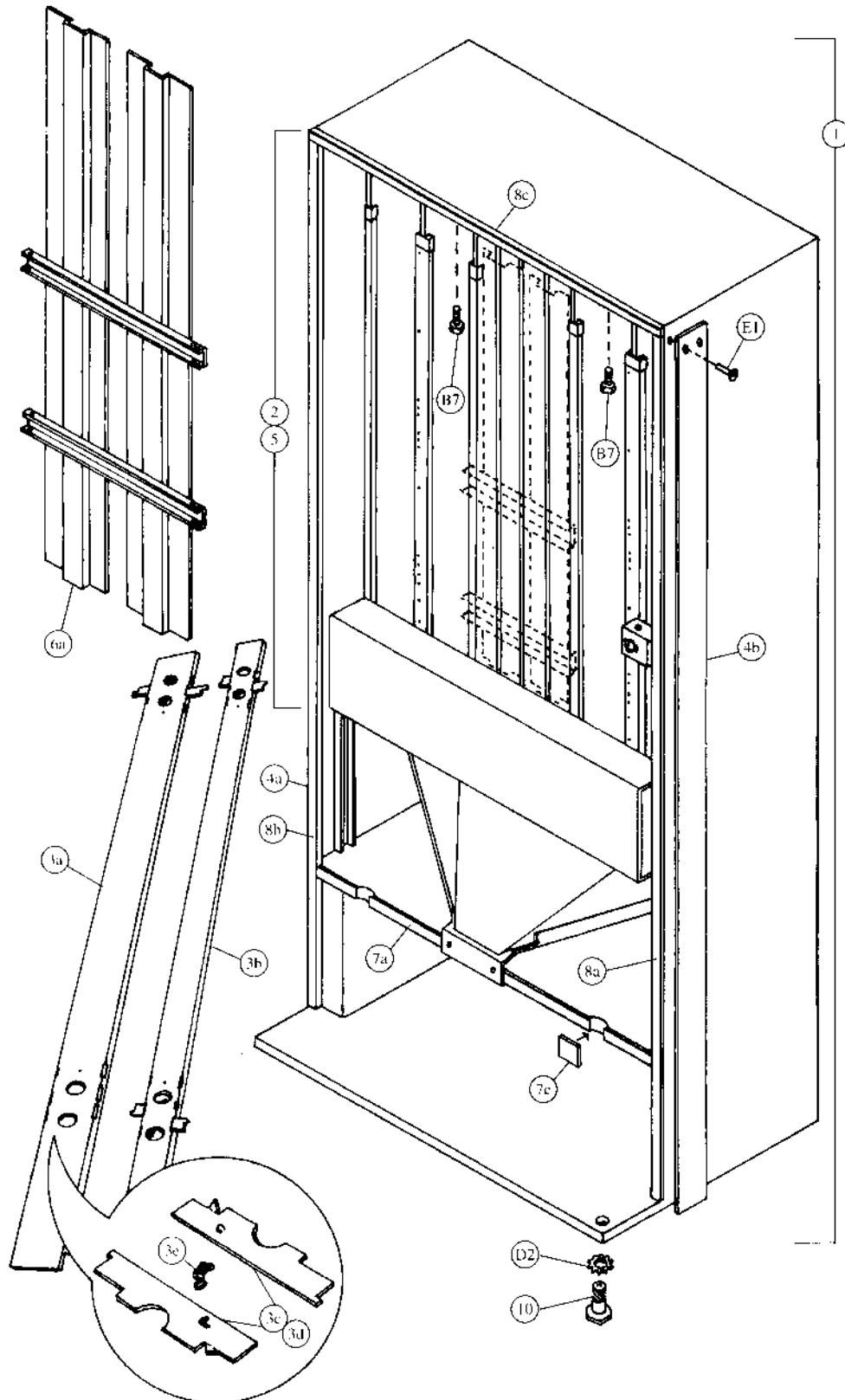
Inner Door - Pepsi (Magnum Circular)



Two-Bar Linkage & Nut Retainer Housing - Pepsi (Magnum Cir.)



Cabinet Interior - Pepsi (Magnum Circular)

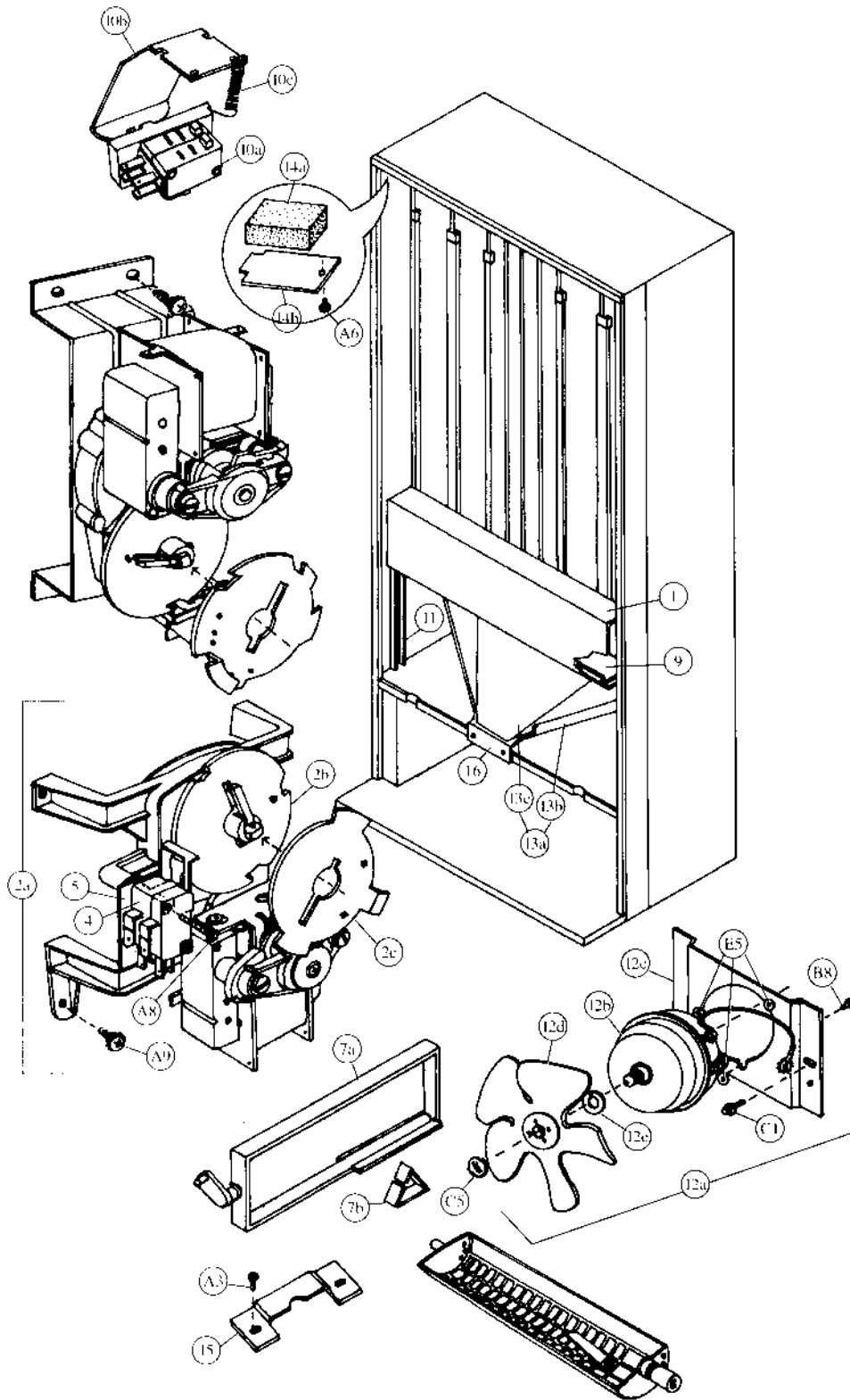


Cabinet Interior - Pepsi (Magnum Circular)

Item	Part Number	Part Name And Description
1	495,000,700.03	Foam Cabinet Assembly
2	See list below	Stack Assembly (specify harness)
	504,070,000.03	Single Price
	504,170,000.03	Two/Four Price
3a	504,070,300.03	Rear Spacer Assembly, Wide Column
3b	504,070,400.03	Rear Spacer Assembly, Narrow Column
3c	267,070,080.53	Latch Finger, Long
3d	267,070,210.43	Latch Finger, Short
3e	901,700,690.01	Rear Spacer Spring
4a	168,000,031.53	Protective Plate, LS Cabinet (not shown)
4b	168,000,041.63	Protective Plate, RS Cabinet
5	504,070,100.03	Sub Assembly Stack
6a	504,070,200.03	Gate, w/a
6b	491,071,000.03	Gate Hinge (not shown)
6c	231,070,260.73	Gate Latch (not shown)
7a	801,806,280.41	Mullion
7b	801,303,830.01	Mullion Cover, Metal (not shown)
7c	not applicable	Mullion Cover, Plastic (obsolete)
8a	495,020,030.03	Breaker Strip, Right
8b	495,020,040.03	Breaker Strip, Left
8c	493,020,060.03	Breaker Strip, Top
9	432,020,070.23	Ballast Plate (not shown)
	495,020,500.13	Ballast Plate - IEC Standard (not shown)
10	900,502,490.71	Leveling Leg, 5/8" (4)
11	491,070,020.13	Mounting Bracket, Rear (not shown)
12	437,010,030.13	Rodent Guard, Narrow (not shown)
	476,010,400.13	Rodent Guard, Narrow - IEC Standard (not shown)
13	804,400,360.01	Transformer, Basler Isolation (not shown)
14	804,902,170.11	Transformer, Jumper (not shown)
16a	901,902,280.01	Heyco Wire Clip #3699 (not shown)
16b	900,901,590.01	Cable Clamp, Green (not shown)

B7	900,302,010.01	Self-Tapping Screw 1/4 - 20 x 5/8
E1a	901,100,430.01	Pop Rivet, 1/4" (10)
B5	900,301,730.21	Self-Tapping Screw 1/4 - 20 x 1 (4)
E1b	901,100,440.01	Drive Rivet, 1/4" (10)
D2	900,700,890.01	Lock Washer, 5/8"
E2	901,100,520.01	Pop Rivet, 1/8"

Cabinet & Vend Mechanism - Pepsi (Magnum Circular)

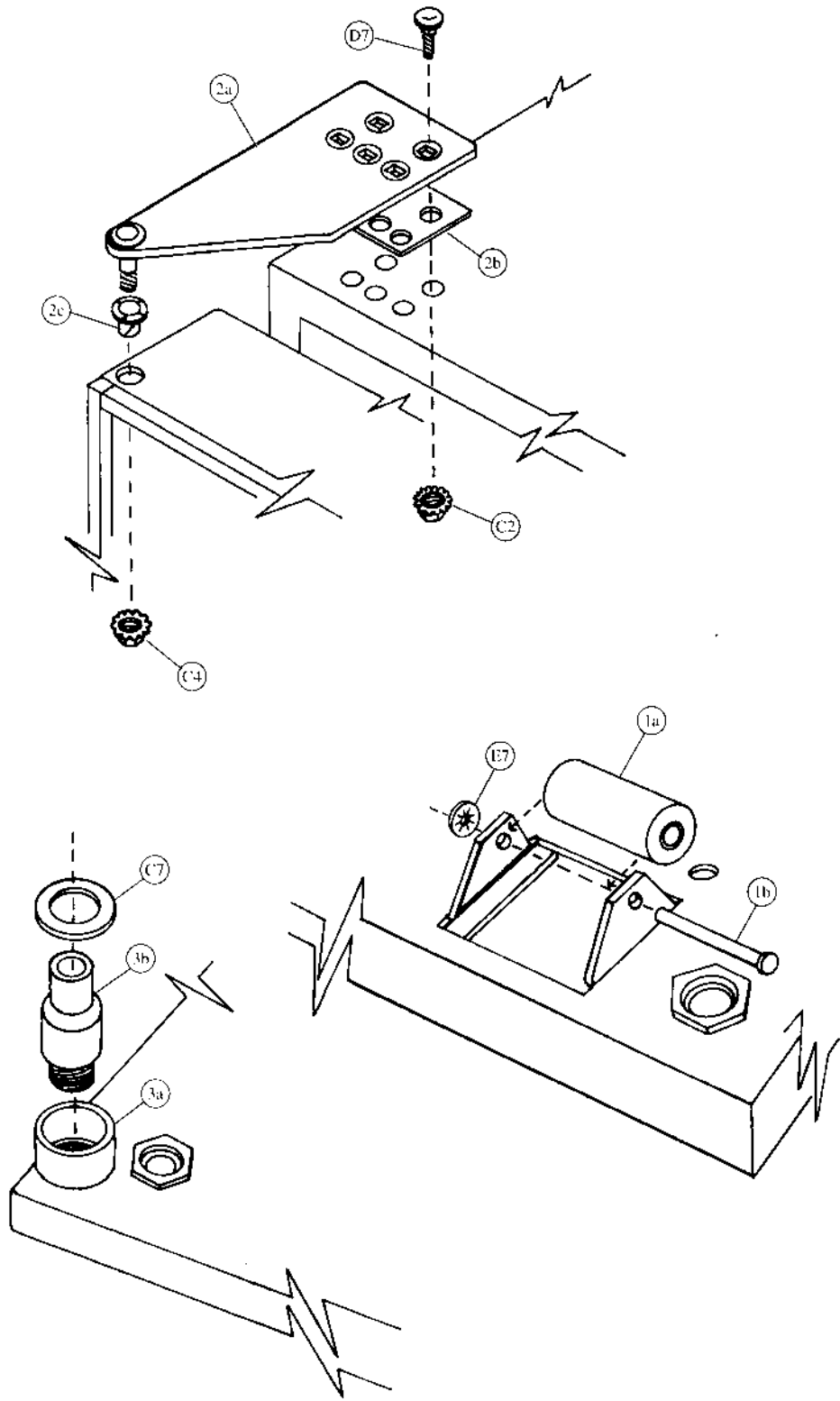


Cabinet & Vend Mechanism - Pepsi (Magnum Circular)

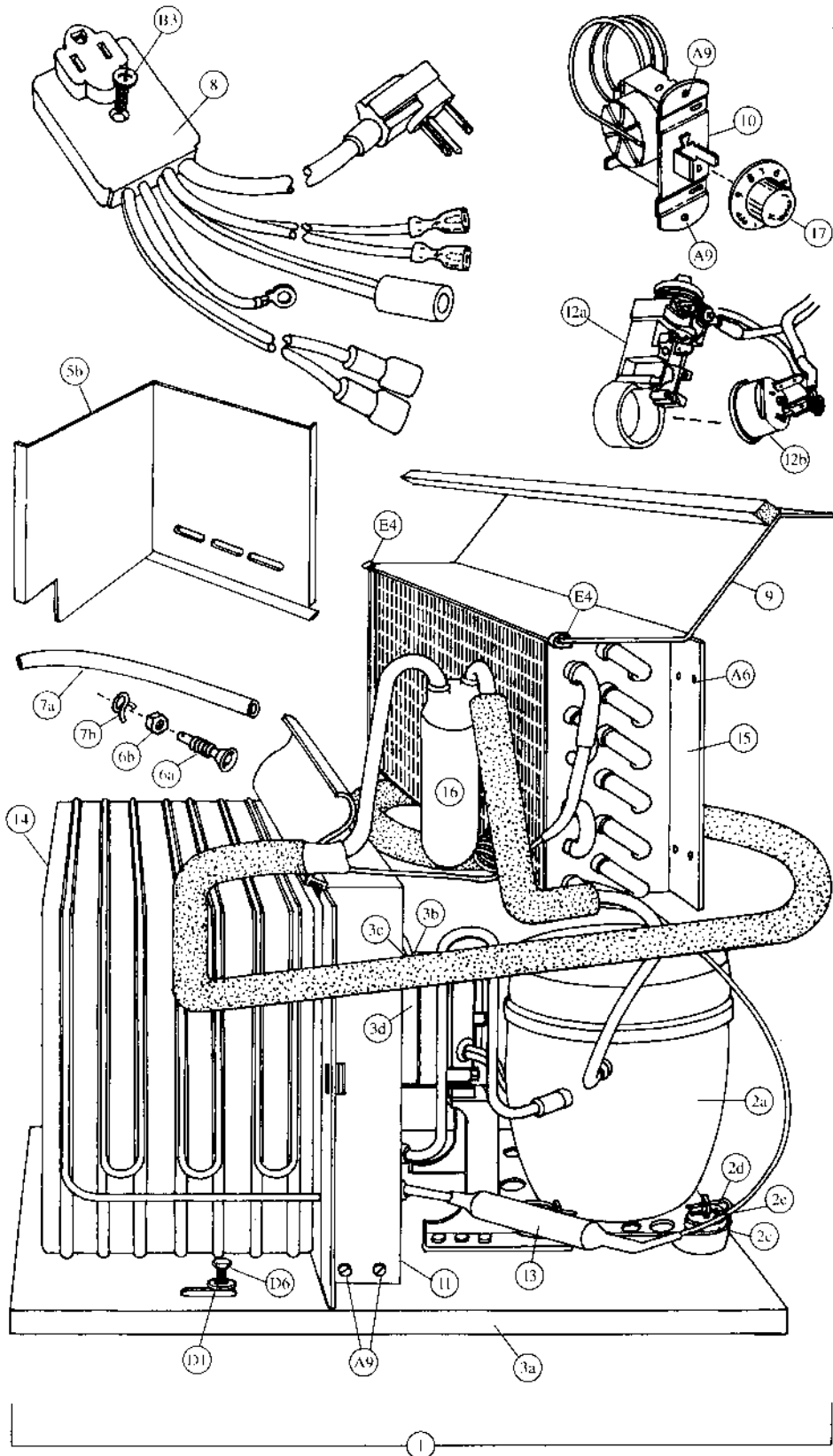
Item	Part Number	Part Name And Description
1	493,170,010.43	Vend Motor Cover, Narrow
	445,070,000.03	Vend Motor Cover, Narrow - IEC Standard
2a	See list below	Vend Motor Assembly, Wide
	491,070,300.03	Single Price
	491,170,100.03	Two/Four Price
2b	801,806,390.21	Vend Cam, Blue
2c	801,806,400.11	Adjustable Cam, Gold
3a	See list below	Vend Motor Assembly, Narrow
	491,070,400.03	Single Price
	491,170,200.03	Two/Four Price
3b	801,806,180.21	Vend Cam, Brown
3c	801,806,610.21	Adjustable Cam, Brown
4	See list below	Vend Motor Switch
	804,100,600.01	Single Price (Double Switch)
	804,100,690.01	Single Price - IEC Standard (Double Switch)
	804,100,700.01	Two/Four Price - IEC Standard (Triple Switch)
5	905,800,330.11	Vend Motor Switch Insulator
6	801,201,211.61	Vend Rotor - Narrow Column
7a	801,201,010.41	Vend Oscillator - Wide Column
7b	901,700,650.31	Can Retainer Oscillator
8a	801,803,170.01	Nyliner, Rear (not shown)
8b	901,804,230.01	Nyliner, Front - Wide Column only (not shown)
9	275,070,110.43	Wire Shield
10a	804,100,610.01	Sold Out Switch Assembly
	804,100,680.01	Sold Out Switch Assembly - IEC Standard
10b	432,070,190.13	Sold Out Paddle
10c	901,700,740.01	Sold Out Paddle Spring
11	491,020,070.33	Mechanism Support
12a	See list below	Evaporator Fan Motor Assembly
	491,000,200.03	115v
	491,140,400.03	220 - 240v
12b	See list below	Evaporator Fan Motor
	804,500,590.01	115v
	804,500,520.01	220 - 240v
12c	164,040,080.73	Evaporator Fan Motor Bracket
12d	801,303,270.11	Evaporator Fan Blade
12e	902,100,290.01	Silencer
13a	408,170,100.03	Can Chute Assembly (includes 13b & 13c)
13b	408,070,010.13	Can Chute
13c	408,070,020.03	Chute Liner (Kydex)
14a	903,300,770.01	Foam Block
14b	169,000,130.83	Hinge Pocket Cover
15	176,072,110.13	Journal
16	172,070,530.03	Support, Can/Bottle Chute

C1	900,901,510.02	Screw, Phil Pan Tapping
A3	900,301,830.01	Sems Screw #10 - 32 x 5/16 (8)
A6	900,600,230.02	Sheet Metal Screw, Type "A"
B8	900,301,690.01	Hex Tap Screw #8 - 32 x 3/8 (3)
A8	900,301,820.01	Vend Motor Screw #4 x 1 1/16 - Double Switch (16)
	900,301,610.01	Vend Motor Screw #4 x 1 1/2 - Triple Switch
A9	900,301,560.01	Sems Screw #8 - 32 x 3/8 (28)
E5	900,401,090.01	Grommet, Black Rubber #97 (3)
C5	900,800,850.01	Speed Nut
B1	900,301,850.01	Sems Screw #8 - 32 x 3/8

Hinges and Rollers - Pepsi (Magnum Circular)



Refrigeration - Pepsi (Magnum Circular)

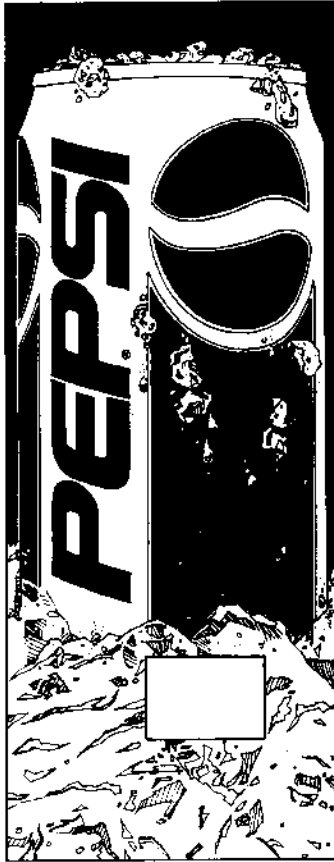


Refrigeration - Pepsi (Magnum Circular)

Item	Part Number	Part Name And Description
1	Provide information listed	Complete Refrigeration System: Indicate unit model number from serial plate on unit base plate, refrigerant, voltage/hertz and country.
2a	Provide information listed	Compressor ¼ HP: Indicate compressor manufacturer, voltage/hertz, refrigerant and complete manufacturer's model number.
2b	See list below	Compressor Lead Harness (not shown)
	904,900,611.01	All, except IEC Standard
	804,905,340.11	220-240v/50hz, IEC Standard
2c	902,000,570.01	Compressor Mounting Grommet
2d	900,901,880.01	Compressor Mounting Retainer Clip
2e	901,803,910.01	Compressor Grommet Plug, Plastic
3a	491,040,040.43	Condenser Base Plate
3b	See list below	Condenser Fan Motor Assembly
	491,040,200.03	115v
	491,140,300.03	220-240v
3c	See list below	Condenser Fan Motor
	804,500,670.01	115v
	804,500,700.01	220-240v
3d	800,103,370.02	Fan Blade (not shown)
4a	491,000,100.23	Drain Pan Assembly (not shown)
4b	801,804,240.51	Drain Pan, Plastic (not shown)
4c	905,800,690.01	Soaker, Fiberglass (14) (not shown)
5a	493,040,030.33	Condenser Baffle, Right Side (not shown)
5b	493,040,040.43	Condenser Baffle, Rear
6a	801,806,050.11	Drain Tube
6b	900,301,790.01	Drain Tube Nut
7a	901,900,500.01	Drain Hose
7b	900,901,030.01	Drain Hose Clamp
8	See listing below	Main Wiring Harness
	804,902,220.01 (a)	United States (shown)
	804,905,480.01 (b)	Australia, IEC 335
	804,905,490.01 (c)	United Kingdom, IEC 335
	804,902,160.21 (d)	Europe
	804,903,160.01 (e)	Mexico
	804,905,450.01 (f)	Italy
	804,905,470.01 (g)	Danish, IEC 335
	804,905,360.01 (h)	Germany, Splashwater Protector
9	143,040,011.13	Top Fan Housing
10	802,800,410.01	Temperature Control
11	491,040,110.43	Fan Shroud Condenser
12a	Provide information listed	Relay: Indicate compressor manufacturer, model # and voltage/hz
12b	Provide information listed	Overload: Indicate compressor manufacturer, model # and voltage/hz
13	802,401,260.01	Dryer
14	802,600,560.01	Condenser
15	802,600,370.51	Evaporator
16	802,400,460.01	Accumulator
17	802,800,420.01	Knob, Temperature Control

A6	900,600,230.02	Sheet Metal Screw, Type "A" (not shown)	(2)
A9	900,301,560.01	Sems Screw #8 - 32 x ¾	(8)
B3	900,301,810.01	Screw, #10 - 32 x 1½	
D1	900,700,360.01	Lockwasher, ¾"	(2)
E4	900,901,890.01	Tinnerman Clip	(2)
D6	900,400,440.01	Refrigeration Bolt ¾ - 16 x 1	(2)

Signs and Decals - Pepsi (Magnum Circular)



①



③

Screws & Nuts - Pepsi (Magnum Circular)



A1



A2



A3



A4



A5



A6



A7



A8



A8



A9



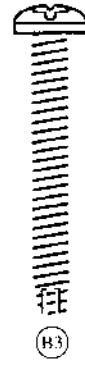
A4



B1



B2



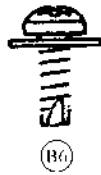
B3



B4



B5



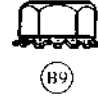
B6



B7



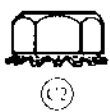
B8



B9



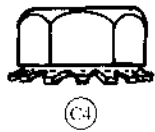
C1



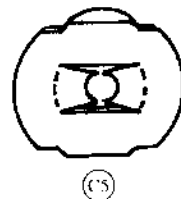
C2



C3



C4



C5



C



D

Washers, Bolts & Misc. - Pepsi (Magnum Circular)

