

MODELS 186, 187, 471, 472

merchant  
**MEDIA**

**PARTS MANUAL**



**CRANE**

3330 Dixie Narco Blvd • Williston SC 29853

[www.cranems.com](http://www.cranems.com)

## HOW TO ORDER PARTS

### MODELS 186, 187, 471, 472

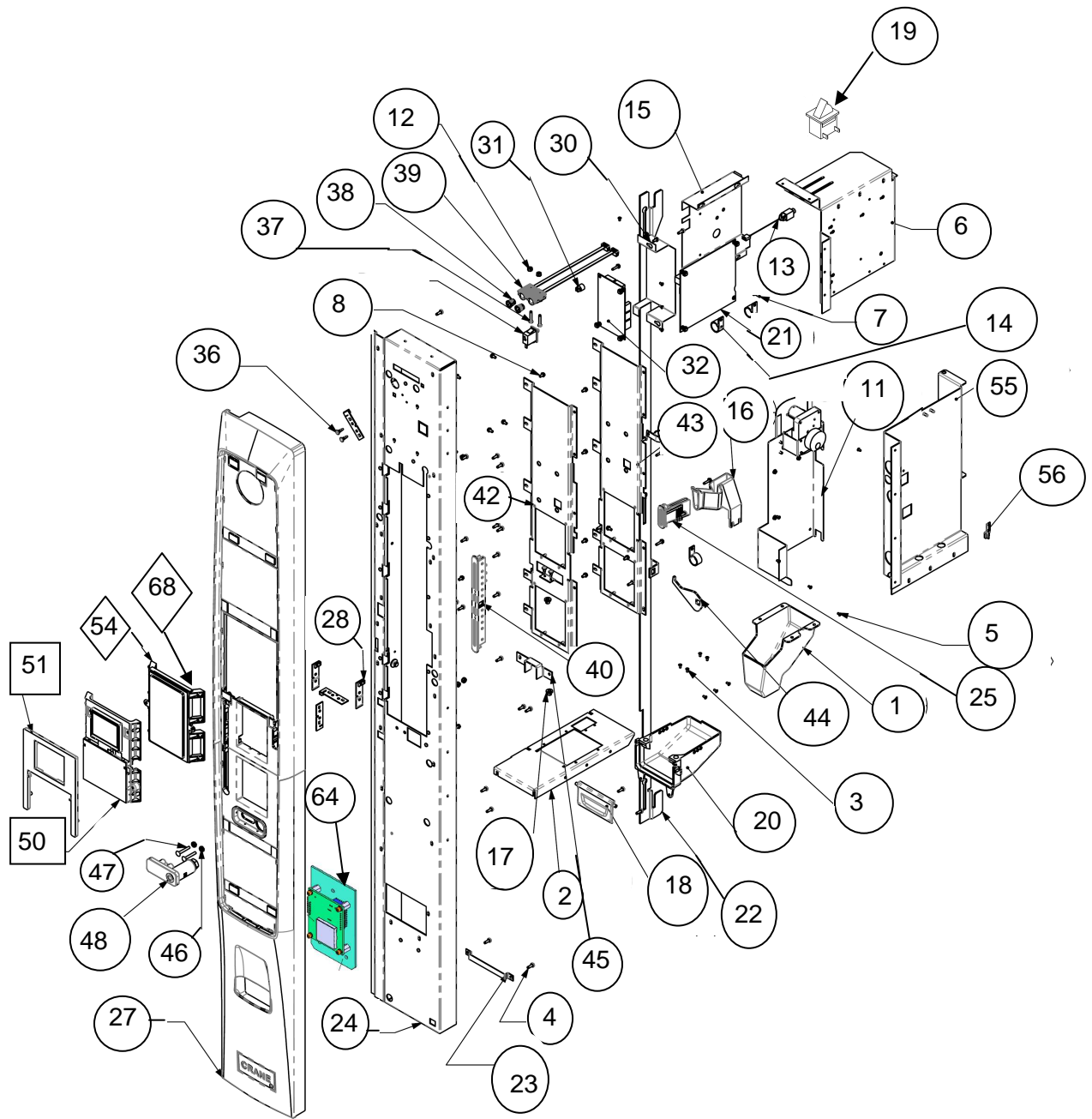
1. Refer to the machine breakdown above. Each assembly breakdown contains an item description and page location in this parts manual.
2. Determine part number(s) needed by referring to drawing of part. Locate item number from drawing and refer to item number, part number and description.
3. Complete your parts order, double check part numbers and quantities. Include a call back number in the event there is a question regarding your order. Fax, email or mail your order to National Vendors or place your order online at [www.cranems.com](http://www.cranems.com).
4. Specify how you would like your order to be shipped. If you do not specify, we will ship the most economical way. In the case of warranty replacements, we reserve the right to determine the method of shipment.

Should you have questions pertaining to this manual or the vendor, please contact Crane Merchandising Systems or write directly to:

Crane Merchandising Systems  
3330 Dixie Narco Blvd  
Williston, SC 29853 USA  
803-266-8890 or 800-621-7278  
803-266-5051 (fax)  
Email: [parts@cranems.com](mailto:parts@cranems.com)  
[www.cranems.com](http://www.cranems.com)

## List of Figures

|   |    |
|---|----|
| FIGURE 1: ASSY, SERVICE DOOR, MERCHANT MEDIA .....                | 4  |
| FIGURE 1A: ASSY, SERVICE DOOR, MERCHANT MEDIA 9" TOUCHSCREEN..... | 7  |
| FIGURE 2: ASSY, MERCHANT BEZEL.....                               | 8  |
| FIGURE 3: MONETARY PILL 3.5(KEYPAD).....                          | 10 |
| FIGURE 4: MONETARY PILL 7"(TOUCHSCREEN).....                      | 12 |
| FIGURE 5: ASSY, MONETARY FAN MER CMB.....                         | 14 |
| FIGURE 6: ASSEMBLY, COIN MECH .....                               | 16 |
| FIGURE 7: ASSEMBLY, COIN MECH BEFORE DECEMBER 2012.....           | 16 |
| FIGURE 8: AMBIENT CABINET AND GLASS DOOR ASSEMBLY.....            | 18 |
| FIGURE 9: DEL BIN ASSEMBLY COMMON AMBIENT 4W.....                 | 20 |
| FIGURE 10: BIN & PANEL ASM AMBIENT 4W.....                        | 22 |
| FIGURE 11: DEL BIN ASSEMBLY COMMON 6W.....                        | 24 |
| FIGURE 12: BIN & PANEL ASM AMBIENT 6W.....                        | 26 |
| FIGURE 13: COMBO CABINET AND GLASS DOOR ASSEMBLY.....             | 28 |
| FIGURE 14: BIN & PANEL ASM COMBO 4W.....                          | 30 |
| FIGURE 15: BIN & PANEL ASM COMBO 6W.....                          | 32 |
| FIGURE 16: COVER,CORD .....                                       | 34 |
| FIGURE 17: REFRIGERATION UNIT ASSEMBLY – DOMESTIC 4W.....         | 36 |
| FIGURE 18: REFRIGERATION UNIT ASSEMBLY – DOMESTIC 6W.....         | 38 |
| FIGURE 19: REFRIGERATION UNIT ASSEMBLY – 230VAC 4W (471,472)..... | 40 |
| FIGURE 20: COMBO ADA BIN BARRIER.....                             | 42 |
| FIGURE 21: SNACK TRAY.....  | 44 |
| FIGURE 22: CANDY TRAY.....  | 46 |
| FIGURE 23: SQUAT TRAY.....  | 48 |
| FIGURE 24: HALF CYCLE GUM & MINT SPIRAL ASSEMBLY.....             | 50 |
| FIGURE 25: SNACK AND CANDY TRAY ASSEMBLY COMBO.....               | 52 |
| FIGURE 27: BOTTLE TRAY ASSEMBLY COMBO.....                        | 56 |
| FIGURE 28: ASSY AC BOX AMB -120VAC.....                           | 58 |
| FIGURE 29: ASSY AC BOX COMBO – 120VAC.....                        | 60 |
| FIGURE 30: ASSY AC BOX AMB – 230VAC.....                          | 62 |
| FIGURE 31: ASSY AC BOX COMBO – 230VAC.....                        | 64 |
| FIGURE 32: ZONE BARRIER COMBO .....                               | 66 |
| FIGURE 33: ASSY, MEDIA INTERNAL KEYPAD – OPTIONAL.....            | 68 |
| FIGURE 34: MEDIA TALKER SPEAKER AND BRACKET ASSY – OPTIONAL.....  | 70 |



□ = INDICATES KEYPAD    ◇ = INDICATES TOUCHSCREEN

**FIGURE 1: ASSY, SERVICE DOOR, MERCHANT MEDIA**

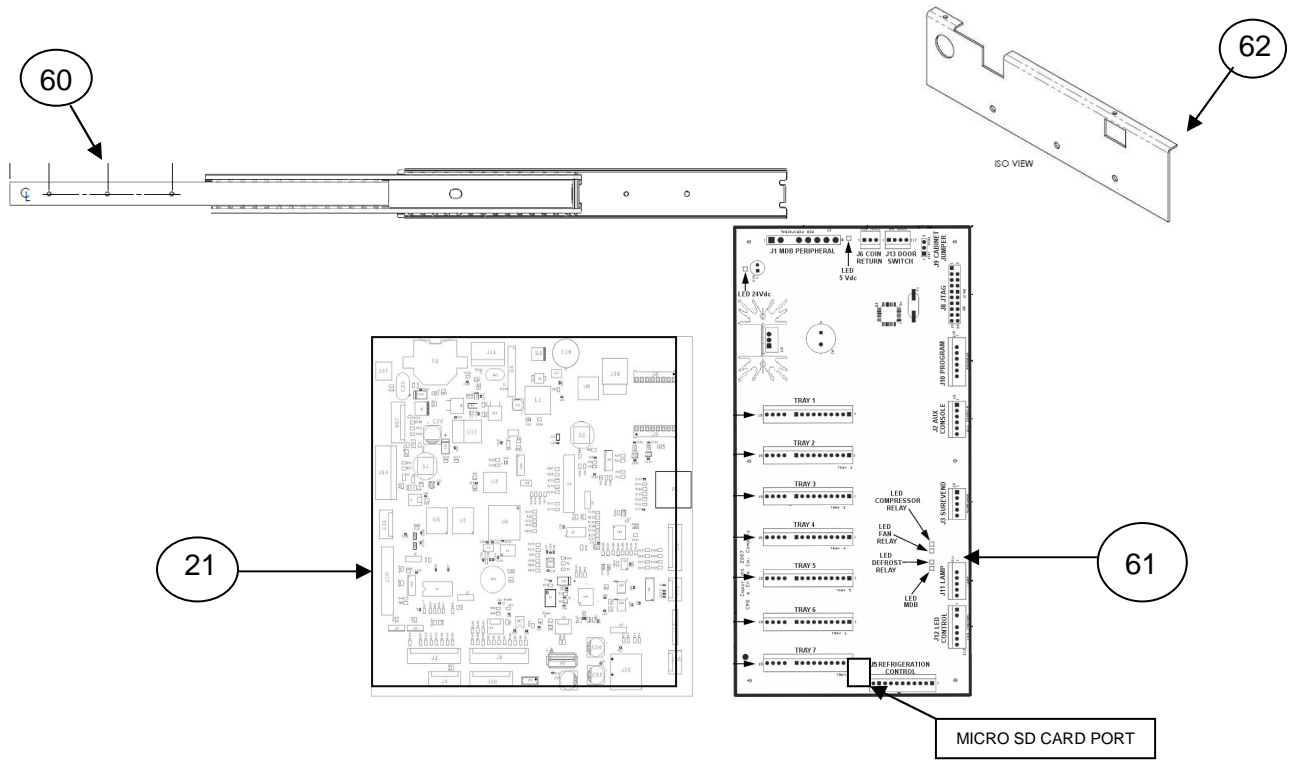


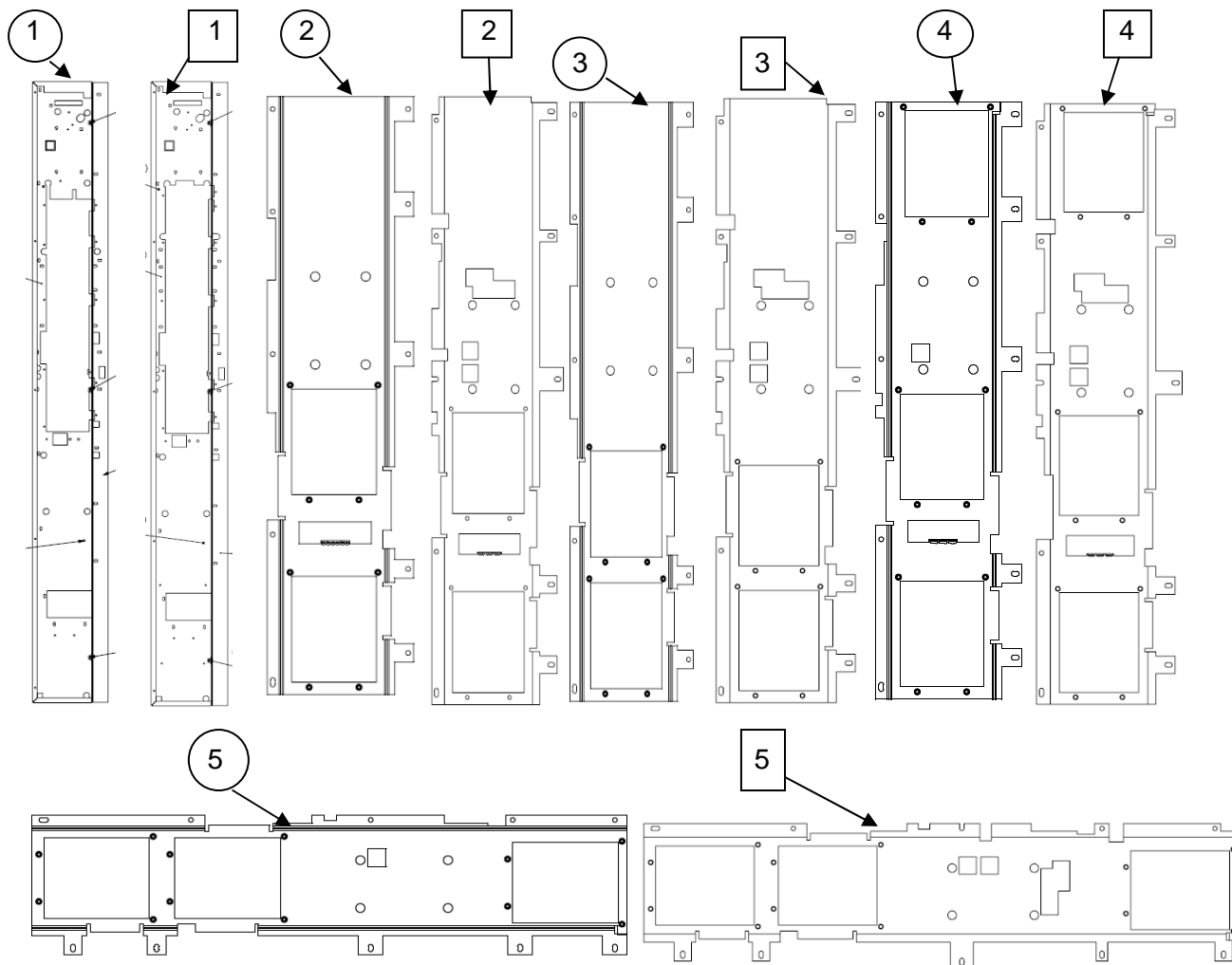
**TABLE 1: ASSY, SERVICE DOOR, MERCHANT MEDIA**

| ITEM | KEYPAD 3.5" | TOUCHSCREE<br>N 7" | DESCRIPTION                                   | QTY |
|------|-------------|--------------------|---|-----|
| 1    | CR0013136   | CR0013136          | CHUTE, COIN RETURN LOWER MERCH                | 1   |
| 2    | CR0013342   | CR0013342          | BRKT, LOWER CHUTE, COMBO                      | 1   |
| 3    | 3502078     | 3502078            | RIVET, POP-.125 DIA X .265                    | 7   |
| 4    | 4277042     | 4277042            | SCREW, #8-10 x.5 T/F-PHS                      | 29  |
| 5    | 80110081    | 80110081           | RIVET, 1/8 STEEL ZINC PLT                     | 10  |
| 6    | CR0016338   | CR0016338          | ASSY, BKT UPR G MONETARY                      | 1   |
| 7    | 1471199     | 1471199            | SCREW-#8-18 x .62 HEX/WH.                     | 5   |
| 8    | 3157060     | 3157060            | SCREW,#8-32X.31 HEX W/HD.-TF                  | *   |
| 9    | CR0010913   | CR0010913          | HARNESS-DOOR SWITCH( <i>NOT SHOWN</i> )       | 1   |
| 10   | 80491101    | 80491101           | GROUND,R, LEAD 16AWG 32in( <i>NOT SHOWN</i> ) | 1   |
| 11   | PCR0018826  | PCR0018826         | ASSY, COIN MECH                               | 1   |
| 12   | 9900081     | 9900081            | NUT, #8-32 KEPS ZINC PLATE                    | 5   |
| 13   | CR0012945   | CR0012945          | HARNESS, DEX PANEL MOUNT                      | 1   |
| 14   | 6231035     | 6231035            | CLIP, HARNESS .750                            | 4   |
| 15   | CR0014661   | CR0014661          | COVER, ATLAS G BOARD                          | 1   |
| 16   | CR0021138   | CR0021138          | CHUTE, COIN                                   | 1   |
| 17   | 1815066     | 1815066            | STABILIZER-COIN MECH                          | 2   |
| 18   | CR0021032   | CR0021032          | FLAP COIN RETURN CUP, MERCH                   | 1   |
| 19   | 6921034     | 6921034            | SWITCH, DOOR                                  | 1   |
| 20   | CR0013137   | CR0013137          | CUP, COIN, BV/MERCH                           | 1   |
| 21   | PCR0020294  | PCR0020293         | BRD,W/SFTWR ATLASG                            | 1   |
| 22   | CR0022631   | CR0022631          | LOCKBAR MERCHANT/MG                           | 1   |
| 23   | CR0014122   | CR0014122          | BRACKET, LOWER BOSS                           | 1   |
| 24   | CR0012804   | CR0012804          | ASSY, MERCHANT G SERVICE DOOR                 | 1   |
| 25   | CR0012773   | CR0012773          | INSERT, COIN RAMP                             | 1   |
| 26   | 4727069     | 4727069            | GASKET, .19X.38                               | 48  |
| 27   | PCR0014990  | PCR0014990         | ASSY, MERCHANT BEZEL                          | 1   |
| 28   | CR0028660   | CR0028660          | BOARD, LED ACCENT                             | 5   |
| 29   | CR0010661   | CR0010661          | HARNESS-LED( <i>NOT SHOWN</i> )               | 1   |
| 30   | CR0021361   | CR0021361          | COVER, LED BOARD                              | 1   |
| 31   | 1571034     | 1571034            | STANDOFF, PCB-3/8 SCREW MOUNT                 | 1   |
| 32   | CR0014114   | CR0014114          | ASSY, PCB, LED DRIVER                         | 1   |
| 33   | CR0014535   | CR0014535          | HARNESS, LED BADGE( <i>NOT SHOWN</i> )        | 1   |
| 34   | CR0026402   | CR0026402          | GUIDE, Ø5mm FLEX LIGHT( <i>NOT SHOWN</i> )    | 1   |
| 35   | CR0015428   | CR0015428          | HARNESS, LED BUNDLE( <i>NOT SHOWN</i> )       | 1   |
| 36   | 80190380    | 80190380           | STANDOFF,R,RICHCO                             | 4   |
| 37   | 80030492    | 80030492           | SCRW,R,8-32X1 PHLPAN ZNC                      | 2   |
| 38   | CR0012948   | CR0012948          | SLEEVE, SPLIT,LIGHT PIPE                      | 2   |
| 39   | CR0026405   | CR0026405          | LGHT ENGINE,HIGH BRGHTNESS RGB                | 2   |
| 40   | CR0014768   | CR0014768          | A,BEZEL,CRDRDR & MAGHEAD                      | 1   |
| 41   | CR0029020   | CR0029020          | HARNESS, CARDREADER( <i>Not Shown</i> )       | 1   |
| 42   | CR0014639   | CR0014639          | ASSY BRKT PAYMENT INT BILL                    | 1   |
| 43   | CR0014642   | CR0014642          | ASSY BRKT PAYMENT STD                         | 1   |
| 44   | CR0012926   | CR0012926          | ARM, ACTUATOR                                 | 1   |

**CRANE** Merchant™ Media Parts Manual

|    |            |            |   |     |
|----|------------|------------|---|-----|
| 45 | CR0022656  | CR0022656  | STIFFENER, L-LOCK                         | 1   |
| 46 | 80080166   | 80080166   | NUT,R, HEX, 10-24, W/WASHER               | 2   |
| 47 | CR0010130  | CR0010130  | BOLT, CARRIAGE,#10-24-1 1/4               | 2   |
| 48 | CR0023014  | CR0023014  | L-HANDLE MEDIA GLOBAL                     | 1   |
| 49 | CR0028645  | NOT USED   | HARN, ATLAS TO KEYPAD DISPLAY (Not Shown) | 1   |
| 50 | CR0014704  | NOT USED   | KEYPAD ASSY, MEDIA LITE                   | 1   |
| 51 | PCR0014995 | NOT USED   | ASSY, FRAME KEYPAD MEDIA LITE             | 1   |
| 52 | NOT USED   | CR0023378  | HARNNESS MERCHANT LE TO LCD(Not Shown)    | 1   |
| 53 | NOT USED   | CR0023378  | HARN,ATLAS G - 7in TOUCH MEDIA(Not Shown) | 1   |
| 54 | NOT USED   | CR0029490  | A,LOGIC 7IN SCREEN (OLD P/N CR0023284)    | 1   |
| 55 | CR0021133  | CR0021133  | ASSY, RT SIDE MONETARY BRKT               | 1   |
| 56 | 80130453   | 80130453   | LATCH,R, ACCESS DOOR                      | 1   |
| 57 | CR0013989  | CR0013989  | HARNNESS-MDB (Not Shown)                  | 1   |
| 58 | CR0028367  | CR0028367  | PWR CRD,16AWG, 171" DOM GFCl(Not Shown)   | 1   |
| 59 | 4727069    | 4727069    | GASKET, .19X.38 (100 ft/roll) (Not Shown) | 48" |
| 60 | CR0012692  | CR0012692  | SLIDE, MONETARY(SEE BELOW)                | 3   |
| 61 | CR0023050  | CR0023050  | PCB ASSY-MERCHANT IO-V2.27                | 1   |
| 62 | CR0013405  | CR0013405  | BRACKET, 3RD. SLIDE, COMBO                | 1   |
| 63 | 1811036    | 1811036    | COIN BOX (NOT SHOWN)                      | 1   |
| 64 | CR0023291  | CR0023291  | BOARD,UIC 680 NFC READER MEDIA            | 1   |
| 65 | 4725049    | 4725049    | KIT, RETROFIT, INT NFC LOW                | 1   |
| 66 | 4725050    | 4725050    | K, RETROFIT INT NFC LED                   | 1   |
| 67 | 36005072   | 36005072   | PLATE, FILLER BILL VLDTR                  | 1   |
| 68 | PCR0021368 | PCR0021368 | ASSY, FRAME ADH 7IN TOUCH                 | 1   |



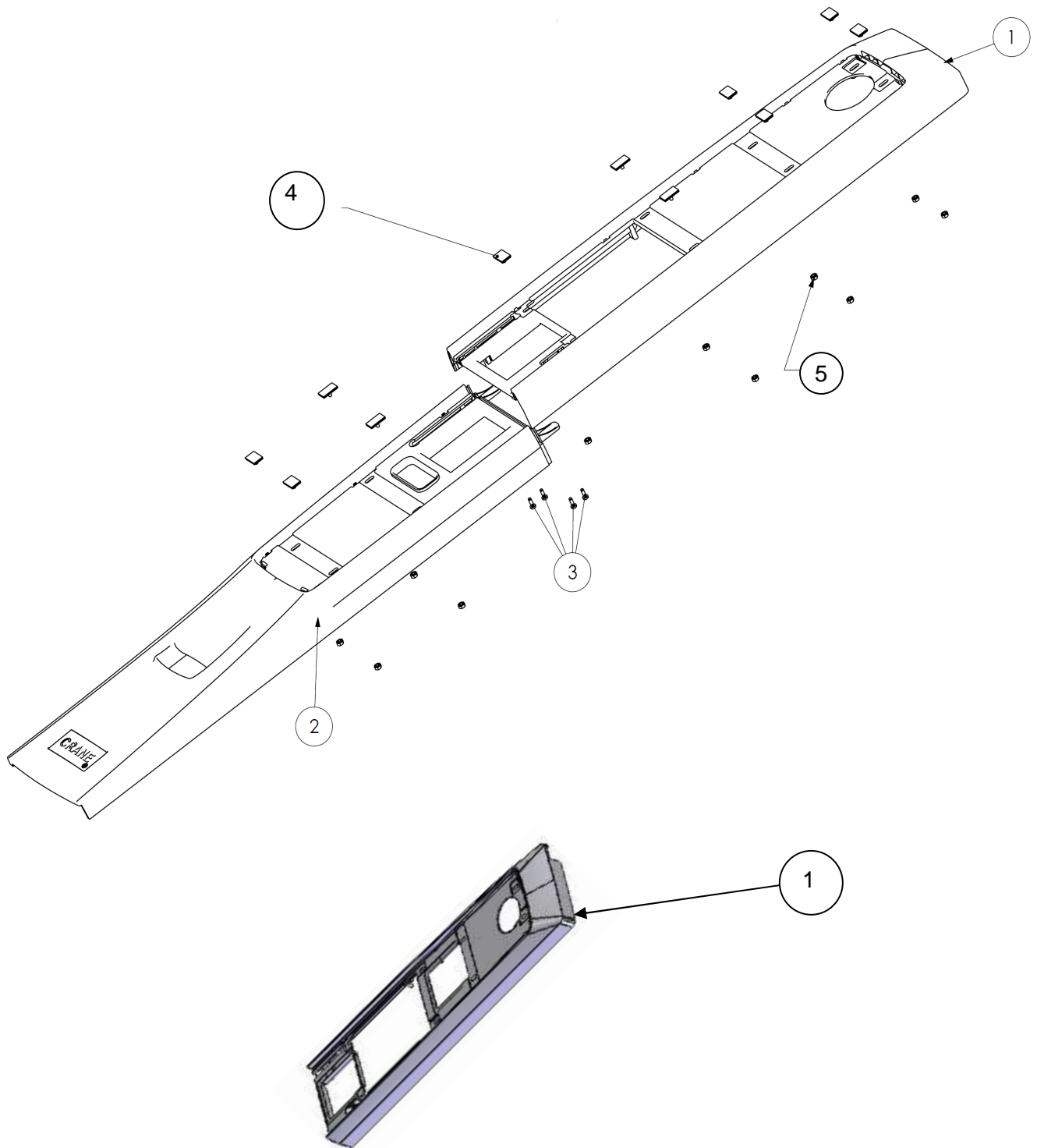


**TABLE 1A: ASSY, SERVICE DOOR, MERCHANT MEDIA 9" TOUCH SCREEN**

| ITEM | PART NUMBER       |                   | DESCRIPTION                   | QTY |
|------|-------------------|-------------------|-------------------------------|-----|
|      | TOUCHSCREEN<br>7" | TOUCHSCREEN<br>9" |                               |     |
| 1    | CR0012804         | CR0029988         | ASSY, MERCHANT G SERVICE DOOR | 1   |
| 2    | CR0014639         | CR0030062         | ASSY BRKT PAYMENT INT BILL    | 1   |
| 3    | CR0014642         | CR0029992         | ASSY BRKT PAYMENT STD         | 1   |
| 4    | CR0026401         | CR0030064         | A, BRKT, TOP KO INT PAYMENT   | 1   |
| 5    | CR0026384         | CR0030069         | A, BRKT, TOP KO STD PAYMENT   | 1   |

○ = 7" TOUCHSCREEN




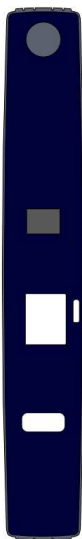





□ = 9" TOUCHSCREE



**FIGURE 2: ASSY, MERCHANT BEZEL**

**TABLE 2: ASSY, MERCHANT BEZEL**

| <b>TABLE 2: ASSY, MERCHANT BEZEL</b> |                    |           |                                |            |
|--------------------------------------|--------------------|-----------|--------------------------------|------------|
| <b>ITEM</b>                          | <b>PART NUMBER</b> |           | <b>DESCRIPTION</b>             | <b>QTY</b> |
| *                                    | CHAMPAGNE          | BLACK     |                                |            |
| 1                                    | CR0030056          | N/A       | BEZEL, UPPER CHAMPAGNE         | 1          |
| 1                                    | CR0030060          | N/A       | BEZEL,UPR MERCHANT CHAM TOP KO | 1          |
| 1                                    | N/A                | CR0030057 | BEZEL,UPPER,BLACK              | 1          |
| 2                                    | CR0012270          | N/A       | PANEL, LOWER CHAMPAGNE         | 1          |
| 2                                    | N/A                | CR0021605 | PANEL, LOWER BLACK             | 1          |
| 3                                    | 4277042            | 4277042   | SCREW, #8-10 x.5 T/F-PHS       | 4          |
| 4                                    | CR0021117          | CR0021117 | ASSY, ADHESIVE PILL MNT        | 11         |
| 5                                    | 9900081            | 9900081   | NUT, #8-32 KEPS ZINC PLATE     | 11         |










|   |   |   |   |   |  |   |   |
|---|---|---|---|---|--|---|---|
|    |    |  |  |  |  |  |  |
| I   | J   | K   | L   | M   | N  | O   | P   |
| PILL, MERCH, 3.5IN, INT   | PILL, MERCH, 3.5IN, INT CRD   | PILL, MERCH, 3.5IN, INT BILL  | PILL, MERCH, 3.5IN UPR KO   | PILL, MERCH, 3.5IN, 2KO   | PILL, MERCH, 3.5IN, INT CRD, 2KO   | PILL, MERCH, 3.5IN, INT, LWR KO   | PILL, MERCH, 3.5IN, INT BILL, LWR KO  |
|  | <div style="border: 1px solid black; padding: 5px; text-align: center;"> <p>CUSTOM PILLS ARE AVAILABLE BY INQUIRING WITH ORDER ENRTY TEAM OR BY CONTACTING YOUR SALES REPERSENTATIVE</p> </div> |   |   |   |  |   |   |
| R   |   |   |   |   |  |   |   |
| PILL, MERCH, 3.5IN  |   |   |   |   |  |   |   |

**FIGURE 3: MONETARY PILL 3.5(KEYPAD)**



**TABLE 3: MONETARY PILL 3.5”(KEYPAD)**

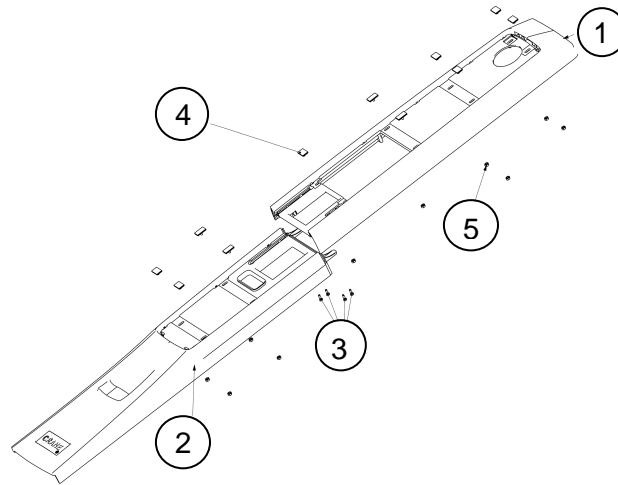
| ITEM | PART NUMBER |           | DESCRIPTION  | QTY |
|------|-------------|-----------|--|-----|
|      | BLUE(US)    | BLACK(UK) |  |     |
| I    | 1875000     | 1875001   | Pill, Merchant, 3.5", Integrated Coin, Bill, Credit Card                     | 1   |
| J    | 1875002     | 1875003   | Pill, Merchant, 3.5", Integrated Coin & Credit Card + Upper Knockout         | 1   |
| K    | 1875004     | 1875005   | Pill, Merchant, 3.5", Integrated Coin, Bill, no Credit Card                  | 1   |
| L    | 1875006     | 1875007   | Pill, Merchant, 3.5", Integrated Coin, Upper Knockout,                       | 1   |
| M    | 1875008     | 1875009   | Pill, Merchant, 3.5", Integrated Coin, Upper & Lower Knockout                | 1   |
| N    | 1875010     | 1875011   | Pill, Merchant, 3.5", Integrated Coin & Credit Card + Upper & Lower Knockout | 1   |
| O    | 1875012     | 1875013   | Pill, Merchant, 3.5", Integrated Coin, Bill, Credit Card + Lower Knockout    | 1   |
| P    | 1875014     | 1875015   | Pill, Merchant, 3.5", Integrated Coin, Bill, + Lower Knockout                | 1   |
| R    | 1875034     | 1875035   | PILL,MERCH,3.5IN, coin only  | 1   |

|   |   |   |   |   |  |   |   |
|---|---|---|---|---|--|---|---|
|    |    |  |  |  |  |  |  |
| A   | B   | C   | D   | E   | F  | G   | H   |
| PILL,<br>MERCH,7IN,<br>INT  | PILL,<br>MERCH,7IN<br>,INT CRD  | PILL,<br>MERCH,7IN,<br>INT BILL   | PILL,<br>MERCH,7IN  | PILL,<br>MERCH,7<br>IN,2KO  | PILL,<br>MERCH,7IN,<br>INTCRD,2KO  | PILL,<br>MERCH,7IN,<br>INT LWR  | PILL,<br>MERCH,7IN,<br>INT BILL,<br>LWR KO  |
|  | <div style="border: 1px solid black; padding: 5px; width: fit-content; margin: 0 auto;"> <p>CUSTOM PILLS ARE AVAILABLE BY INQUIRING WITH ORDER ENRTY<br/>TEAM OR BY CONTACTING YOUR SALES REPERSENTATIVE</p> </div> |   |   |   |  |   |   |
| Q   |   |   |   |   |  |   |   |
| PILL,MERCH<br>7IN   |   |   |   |   |  |   |   |

**FIGURE 4: MONETARY PILL 7”(TOUCHSCREEN)**

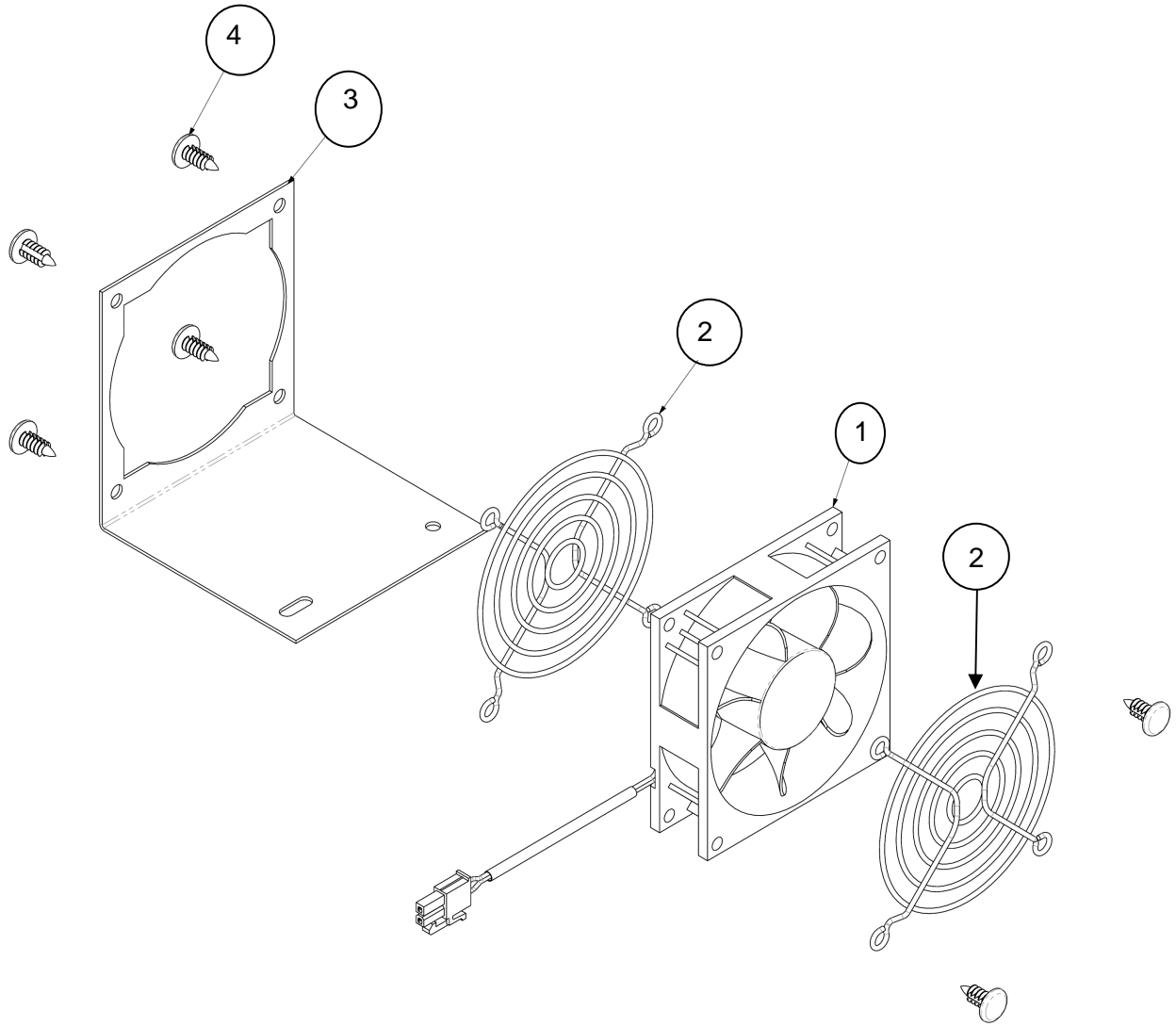
**TABLE 4: MONETARY PILL 7”(TOUCHSCREEN)**

| ITEM | PART NUMBER |           | DESCRIPTION  | QTY |
|------|-------------|-----------|--|-----|
|      | BLUE(US)    | BLACK(UK) |  |     |
| A    | 1875016     | 1875017   | Pill, Merchant,7” , Integrated Coin, Bill, Credit Card                     | 1   |
| B    | 1875018     | 1875019   | Pill, Merchant, 7”, Integrated Coin & Credit Card + Upper Knockout         | 1   |
| C    | 1875020     | 1875021   | Pill, Merchant, 7”, Integrated Coin, Bill, no Credit Card                  | 1   |
| D    | 1875022     | 1875023   | Pill, Merchant, 7”, Integrated Coin, Upper Knockout,                       | 1   |
| E    | 1875024     | 1875025   | Pill, Merchant, 7”, Integrated Coin, Upper & Lower Knockout                | 1   |
| F    | 1875026     | 1875027   | Pill, Merchant, 7”, Integrated Coin & Credit Card + Upper & Lower Knockout | 1   |
| G    | 1875028     | 1875029   | Pill, Merchant, 7”, Integrated Coin, Bill, Credit Card + Lower Knockout    | 1   |
| H    | 1875030     | 1875031   | Pill, Merchant, 7”, Integrated Coin, Bill, + Lower Knockout                | 1   |
| Q    | 1875032     | 1875033   | PILL,MERCH,7IN, coin only  | 1   |



**ASSY, MERCHANT BEZEL**

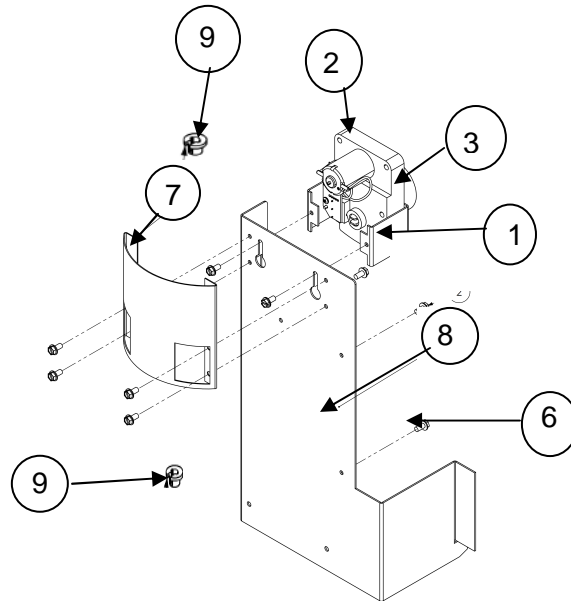
| ITEM | PART NUMBER | DESCRIPTION                | QTY |
|------|-------------|----------------------------|-----|
| 1    | CR0030056   | BEZEL, UPPER CHAMPAGNE     | 1   |
| 2    | CR0012270   | PANEL, LOWER CHAMPAGNE     | 1   |
| 3    | 4277042     | SCREW, #8-10 x.5 T/F-PHS   | 4   |
| 4    | CR0021117   | ASSY, ADHESIVE PILL MNT    | 11  |
| 5    | 9900081     | NUT, #8-32 KEPS ZINC PLATE | 11  |



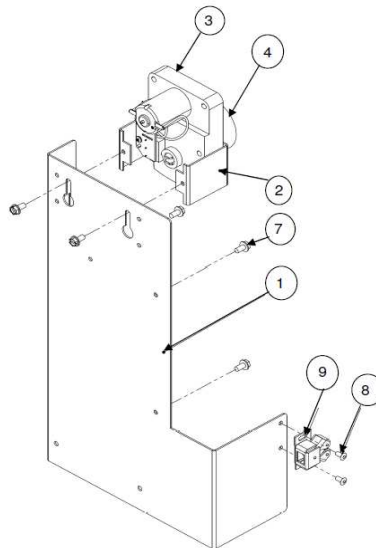
**FIGURE 5: ASSY, MONETARY FAN MER CMB**

**TABLE 5: ASSY, MONETARY FAN MER CMB**

| <b>ITEM</b> | <b>PART NUMBER</b> | <b>DESCRIPTION</b>                             | <b>QTY</b> |
|-------------|--------------------|--|------------|
| *           | PCR0020909         | ASSY, MONETARY FAN MER CMB(INCLUDES P/N 1 - 4) | 1          |
| 1           | CR0020884          | FAN, 80MM 24V MONETARY CMB                     | 1          |
| 2           | CR0020880          | GUARD, 80MM FAN                                | 2          |
| 3           | CR0020892          | BRKT, 80MM FAN CMB                             | 1          |
| 4           | CR0020950          | RIVET,NYLON RIBBED SHANK BLK                   | 6          |



**FIGURE 6: ASSEMBLY, COIN MECH**



**FIGURE 7: ASSEMBLY, COIN MECH BEFORE DECEMBER 2012**

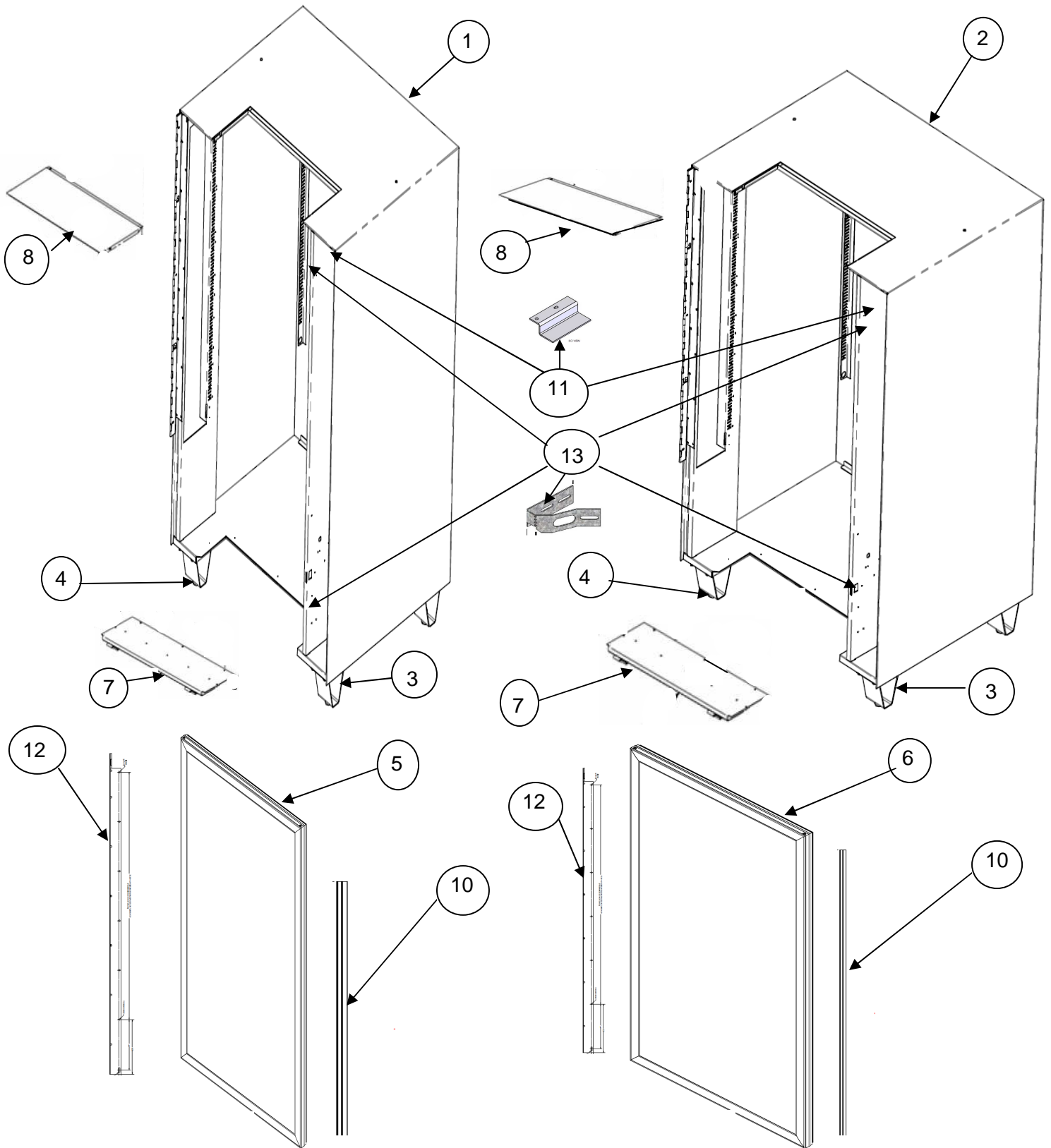


**TABLE 6: ASSEMBLY, COIN MECH**

| ITEM | PART NUMBER | DESCRIPTION                                  | QTY |
|------|-------------|--|-----|
| *    | PCR0018826  | ASSY, COIN MECH(INCLUDES P/N 1 – 9)          | 1   |
| 1    | CR0012826   | BRACKET, COIN RETURN MOTOR                   | 1   |
| 2    | 1577038     | MOTOR & PC BOARD ASSEMBLY                    | 1   |
| 3    | 1815028     | CAM-COIN RETURN                              | 1   |
| 4    | 4407712     | COUPLING-MOTOR <i>(Not Shown)</i>            | 1   |
| 5    | 1457027     | SCREW,#8-32 X .81 HEX HD. <i>(Not Shown)</i> | 2   |
| 6    | 3157060     | SCREW,#8-32X.31 HEX W/HD.-TF                 | 5   |
| 7    | CR0014129   | SHIELD, ALIGNMENT                            | 1   |
| 8    | CR0021132   | BRACKET, COIN MECH                           | 1   |
| 9    | 1815036     | ASSY-COINMECH MOUNT                          | 2   |
| 10   | CR0013113   | HARNES, COIN RETURN(NOT SHOWN)               | 1   |

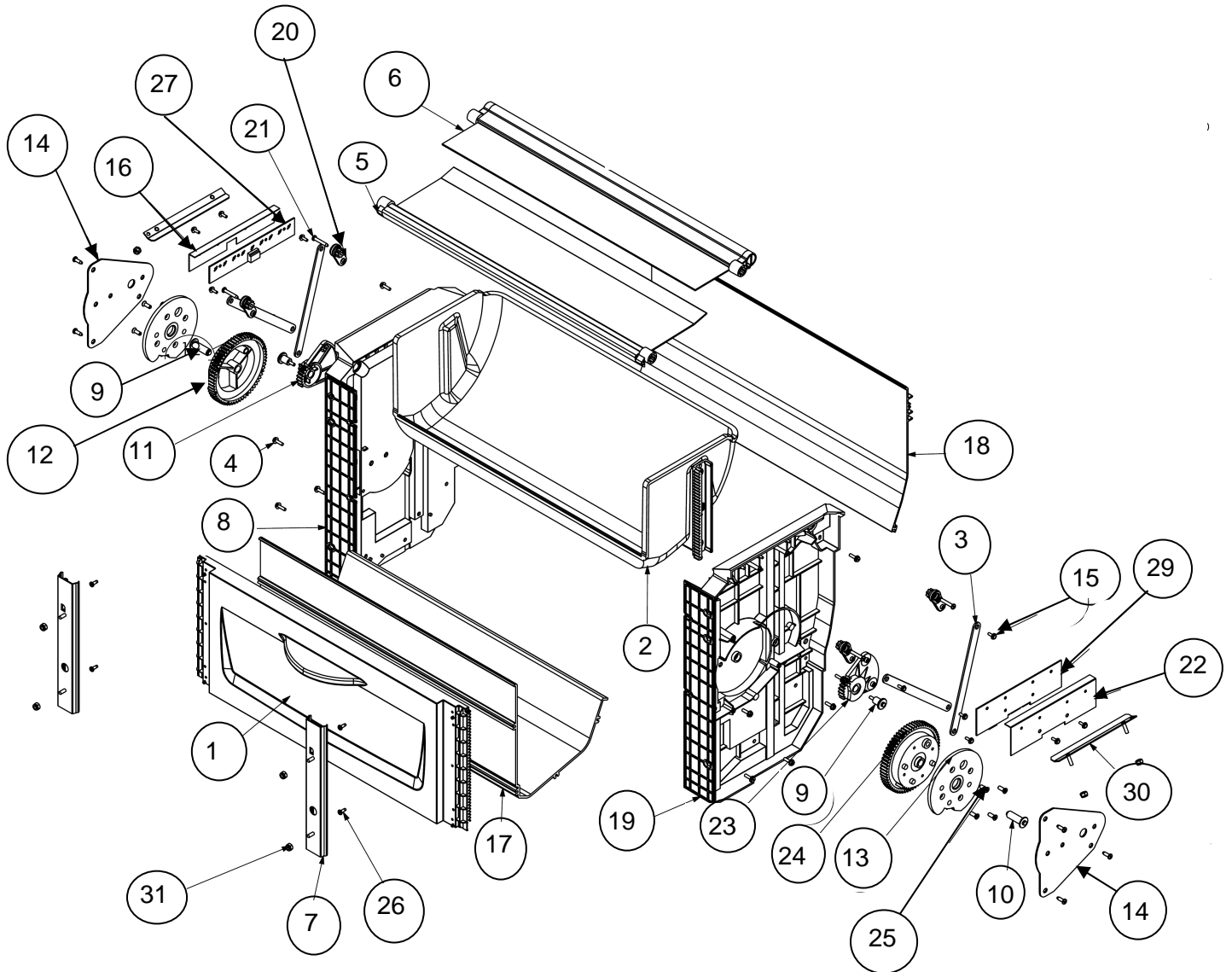
**TABLE 7: ASSEMBLY, COIN MECH  
BEFORE DECEMBER 2012**

| ITEM | PART NUMBER | DESCRIPTION                                  | QTY |
|------|-------------|--|-----|
| 1    | CR0018647   | BRACKET, COIN MECH                           | 1   |
| 2    | CR0012826   | BRACKET, COIN RETURN MOTOR                   | 1   |
| 3    | 1577038     | MOTOR & PC BOARD ASSEMBLY                    | 1   |
| 4    | 1815028     | CAM-COIN RETURN                              | 1   |
| 5    | 4407712     | COUPLING-MOTOR <i>(Not Shown)</i>            | 1   |
| 6    | 1457027     | SCREW,#8-32 X .81 HEX HD. <i>(Not Shown)</i> | 2   |
| 7    | 3157060     | SCREW,#8-32X.31 HEX W/HD.-TF                 | 5   |
| 8    | 3502078     | RIVET, POP-.125 DIA X .265                   | 2   |
| 9    | 80152201    | ROLLER,R, DOUBLE, CATCH                      | 1   |



**FIGURE 8: AMBIENT CABINET AND GLASS DOOR ASSEMBLY**

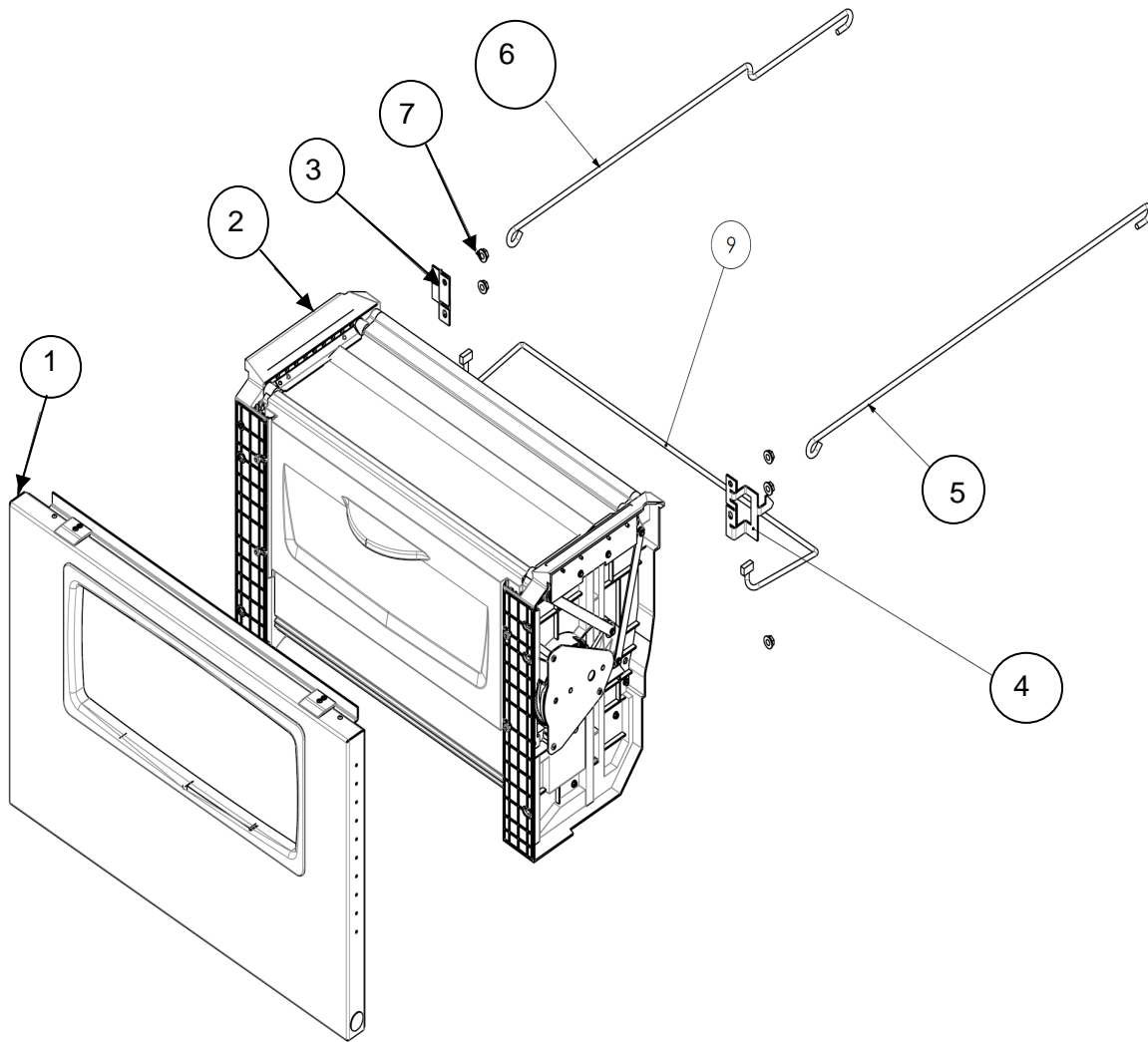
| <b>TABLE 8: AMBIENT CABINET AND GLASS DOOR ASSEMBLY</b> |                    |                  |                                      |            |
|---|--------------------|------------------|--------------------------------------|------------|
| <b>ITEM</b>   | <b>PART NUMBER</b> |                  | <b>DESCRIPTION</b>                   | <b>QTY</b> |
|   | <b>MODEL 186</b>   | <b>MODEL 187</b> |                                      |            |
| 1   | CR0019912          | -----            | ASSY, 4W AM "T" BLACK CAB            | 1          |
| 2   | -----              | CR0019353        | ASSY, 6W AM T-BLACK CABINET          | 1          |
| 3   | P1811001           | P1811001         | LEG ASSY-COMplete                    | 4          |
| 4   | 1811002            | 1811002          | LEVERLER-LEG                         | 4          |
| 5   | CR0009112          | -----            | DOOR, 4W CRIMP STYLE                 | 1          |
| 6   | -----              | CR0008186        | DOOR, 6W CRIMP STYLE                 | 1          |
| 7   | P1801091           | P1811091         | BOTTOM FILLER ASSY                   | 1          |
| 8   | 1801027            | 1811078          | FILLER-TOP-GALVANIZED                | 1          |
| 9   | 1811036            | 1811036          | COIN BOX(NOT SHOWN)                  | 1          |
| 10  | CR0021467          | CR0021467        | BRKT, VANDAL, BLK                    | 1          |
| 11  | CR0023693          | CR0023693        | BRACKET, SWITCH STRIKE AMB           | 1          |
| 12  | CR0023472          | CR0023472        | HINGE, PIANO(WELDED PART OF CABINET) | 1          |
| 13  | CR0021031          | CR0021031        | LOCK ARM, ENCLOSED MEDIA             | 2          |
| 14  | P1800815           | P1810815         | BASE PLATE & ACCYS ASM (OPTION)      | 1          |



**FIGURE 9: DEL BIN ASSEMBLY COMMON AMBIENT 4W**

**TABLE 9: DEL BIN ASSEMBLY COMMON 4W**

| ITEM | PART NUMBER | DESCRIPTION                                   | QTY |
|------|-------------|---|-----|
| 1    | PCR0015252  | ASSY, BEZEL MERCHANT                          | 1   |
| 2    | PCR0013425  | A, DELIVERY BUCKET 4 WD                       | 1   |
| 3    | CR0012669   | LINK, FLAP ARM TO INDEX MER                   | 4   |
| 4    | 4741050     | SCREW,#8-32X.50 HX.HD.-T/F-BLK                | 12  |
| 5    | PCR0014126  | A, FLAP,PILFER 4WD FRNT                       | 1   |
| 6    | PCR0014128  | A, FLAP,PILFER 4WD REAR                       | 1   |
| 7    | CR0023113   | SLIDE, MERCH ADA DEL BIN DOOR                 | 2   |
| 8    | CR0013975   | BIN, SIDEWALL LEFT                            | 1   |
| 9    | CR0012316   | AXLE, INDEX GEAR MER MEDIA                    | 2   |
| 10   | CR0012667   | AXLE,BIN & DOOR GEAR                          | 2   |
| 11   | CR0028485   | CAM LINKS (L)                                 | 1   |
| 12   | CR0025330   | GEAR-BIN & DOOR LH                            | 1   |
| 13   | CR0026214   | CAM, DEL BIN                                  | 2   |
| 14   | CR0013510   | PLATE, AXLE RETAINER                          | 2   |
| 15   | 3128092     | SCREW,HILO-7-19 X 3/8 HEX                     | 12  |
| 16   | 1812011     | COVER, EMITTER,SUREVEND                       | 1   |
| 17   | CR0021845   | DIVIDER FR,DELIVERY BIN ADA 4W                | 1   |
| 18   | CR0021846   | DIVIDER,DEL BIN 4WD REAR MER G                | 1   |
| 19   | CR0013978   | SIDEWALL BIN (R)                              | 1   |
| 20   | CR0013930   | ARM PIL. FLAP - DRIVE                         | 4   |
| 21   | 6922105     | SCRW, PAN HD PLASTIT PH #7X1                  | 4   |
| 22   | 1812012     | COVER-RECEIVER-SUREVEND                       | 1   |
| 23   | CR0028486   | CAM LINKS (R)                                 | 1   |
| 24   | CR0028467   | GEAR-BIN & DOOR RH                            | 1   |
| 25   | 6237050     | SCREW-#8-16X.44-SLTD-FLHD                     | 8   |
| 26   | 4747171     | SCREW,#6-19 X .38 PHIL.PHS-T/C                | 4   |
| 27   | CR0018333   | PCB ASSY SUREVEND EMITTER                     | 1   |
| 28   | 6922104     | SCRW, PAN HD PLASTIT PH #7X.5                 | 6   |
| 29   | CR0022503   | PCB,SUREVEND DETECTOR 24vSWTCH                | 1   |
| 30   | CR0019403   | ASSY, BIN VANDAL DEFLECT                      | 2   |
| 31   | 80080155    | NUT,R, ELASTIC STOP #8-32                     | 8   |
| 32   | CR0012293   | DEFLECTOR, PRODUCT LED (NOT SHOWN)            | 1   |
| 33   | 1811099     | DEFLECTOR-PRODUCT-LED(NOT SHOWN)              | 1   |
| 34   | CR0013942   | BEARING, COUPLER LF RR (PART OF ASSEMBLY)     | 1   |
| 35   | CR0013955   | BEARING-COUPLER RF(PART OF ASSEMBLY)          | 1   |
| 36   | CR0014848   | BEARING, COUPLER RIGHT REAR(PART OF ASSEMBLY) | 1   |
| 37   | CR001472    | BEARING, COUPLER LEFT REAR(PART OF ASSEMBLY)  | 1   |



**FIGURE 10: BIN & PANEL ASM AMBIENT 4W(PCR0013448)**

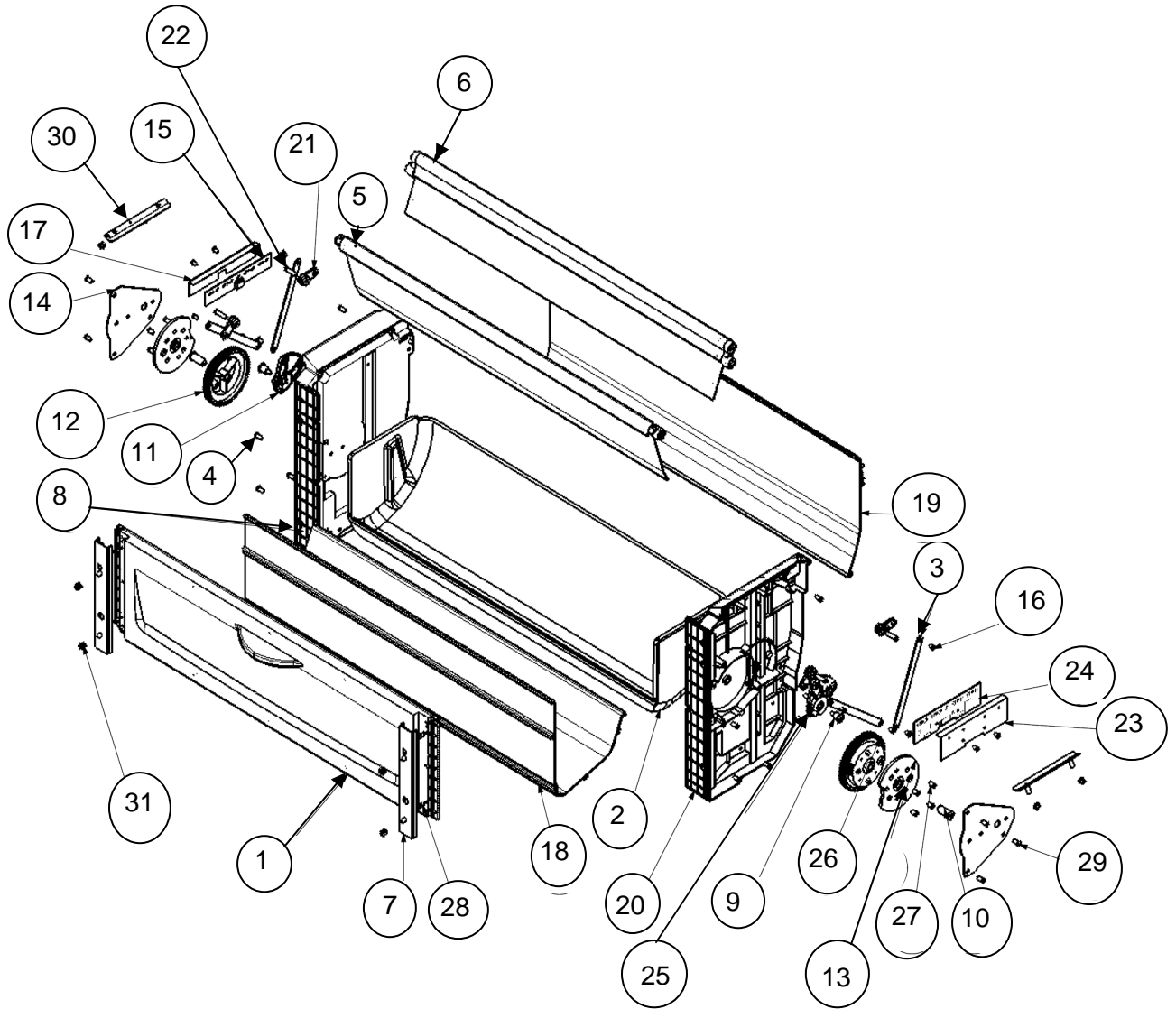


**TABLE 10: BIN & PANEL ASM AMBIENT 4W**

| ITEM | PART NUMBER | DESCRIPTION                                  | QTY |
|------|-------------|--|-----|
| 1    | PCR0014155  | ASSY, PNL & LINER ADA 4W AMB                 | 1   |
| 2    | PCR0013478  | A, DELIVERY BIN 4W COMMON                    | 1   |
| 3    | CR0013511   | GUIDE, DEL BIN ELEVATOR                      | 1   |
| 4    | CR0013521   | GUIDE-DELIVERY BIN (R)                       | 1   |
| 5    | 1811072     | ROD, STOP,DELIVERY DOOR                      | 1   |
| 6    | 1811082     | ROD-STOP-DEL DOOR-L/H                        | 1   |
| 7    | 1172021     | NUT, 1/4-20 WHIZ-LOCK                        | 6   |
| 8    | CR0005960   | AERO FOAM-ADHESIVE BACKED <i>(Not Shown)</i> | 60" |
| 9    | CR0017897   | HARNESS, EMITTER TO DETECTOR                 | 1   |
| 10   | CR0022448   | HARNESS, SUREVEND COMMS(NOT SHOWN)           | 1   |

**TABLE 10A: ADA DELIVERY BIN GEAR KITS**

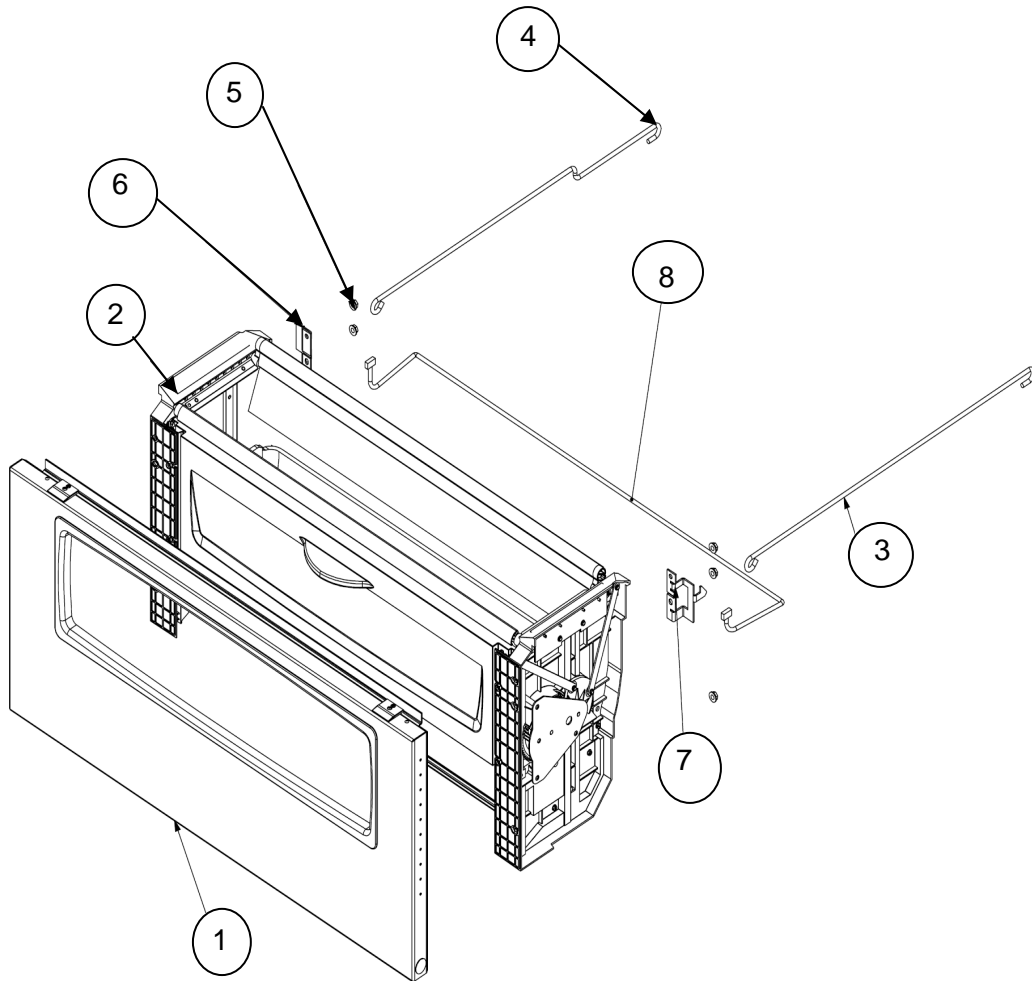
| ITEM | PART NUMBER | DESCRIPTION                    | QTY |
|------|-------------|--------------------------------|-----|
| 1    | 472A702     | KIT,RT & LT SIDE ADA BIN GEARS | 1   |
| 2    | 4720798     | KIT,RIGHT SIDE ADA BIN GEAR    | 1   |
| 3    | 4720799     | KIT,LEFT SIDE ADA BIN GEAR     | 1   |



**FIGURE 11: DEL BIN ASSEMBLY COMMON 6W**

**TABLE 11: DEL BIN ASSEMBLY COMMON 6W**

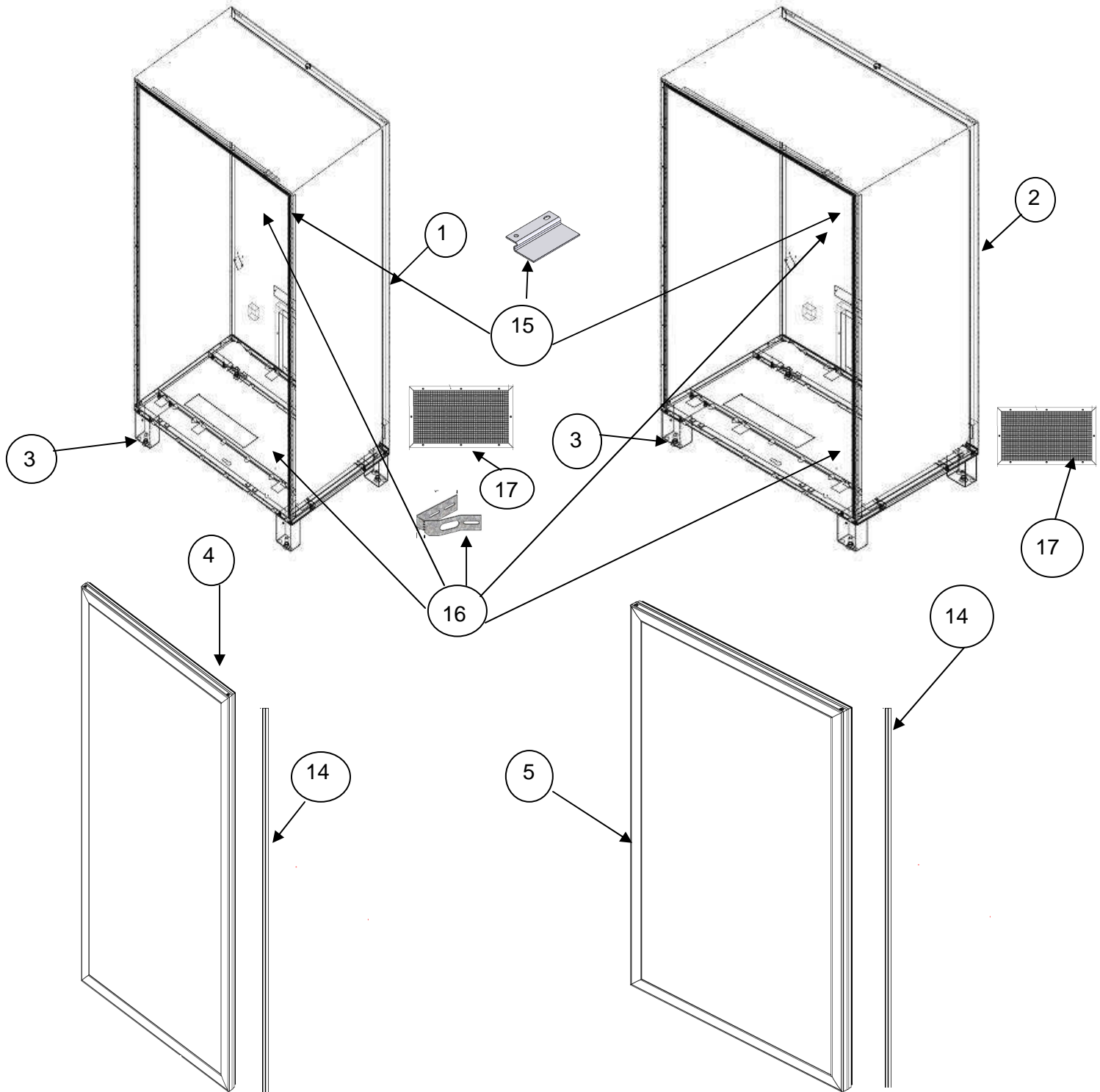
| ITEM | PART NUMBER | DESCRIPTION                    | QTY |
|------|-------------|--------------------------------|-----|
| 1    | PCR0012674  | ASSY, DOOR BIN 6W              | 1   |
| 2    | PCR0012731  | A, DELIVERY BUCKET 6 WD        | 1   |
| 3    | CR0012669   | LINK, FLAP ARM TO INDEX MER    | 4   |
| 4    | 4741050     | SCREW,#8-32X.50 HX.HD.-T/F-BLK | 12  |
| 5    | PCR0013937  | A, FLAP,PILFER 6WD FRNT        | 1   |
| 6    | PCR0013959  | A, FLAP,PILFER 6WD REAR        | 1   |
| 7    | CR0023113   | SLIDE, MERCH ADA DEL BIN DOOR  | 2   |
| 8    | CR0013975   | SIDEWALL BIN (L)               | 1   |
| 9    | CR0012316   | AXLE, INDEX GEAR               | 2   |
| 10   | CR0012667   | AXLE,BIN & DOOR GEAR           | 2   |
| 11   | CR0011544   | CAM LINKS (L)                  | 1   |
| 12   | CR0025330   | GEAR-BIN & DOOR LH             | 1   |
| 13   | CR0026214   | CAM, DEL BIN                   | 2   |
| 14   | CR0013510   | PLATE, AXLE RETAINER           | 2   |
| 15   | CR0018333   | PCB ASSY SUREVEND EMITTER      | 1   |
| 16   | 3128092     | SCREW,HILO-7-19 X 3/8 HEX WASH | 12  |
| 17   | 1812011     | COVER, EMITTER,SUREVEND        | 1   |
| 18   | CR0021843   | DIVIDER FR,DELIVERY BIN ADA 6W | 1   |
| 19   | CR0021844   | DIVIDER,DEL BIN 6WD REAR MER G | 1   |
| 20   | CR0013978   | SIDEWALL BIN (R)               | 1   |
| 21   | CR0013930   | ARM PIL. FLAP - DRIVE          | 4   |
| 22   | 6922105     | SCRW, PAN HD PLASTIT PH #7X1   | 4   |
| 23   | 1812012     | COVER-RECEIVER-SUREVEND        | 1   |
| 24   | CR0022503   | PCB,SUREVEND DETECTOR 24vSWTCH | 1   |
| 25   | CR0028486   | CAM LINKS (R)                  | 1   |
| 26   | CR0028467   | GEAR-BIN & DOOR RH             | 1   |
| 27   | 6237050     | SCREW-#8-16X.44-SLTD-FLHD      | 8   |
| 28   | 4747171     | SCREW,#6-19 X .38 PHIL.PHS-T/C | 4   |
| 29   | 6922104     | SCRW, PAN HD PLASTIT PH #7X.5  | 6   |
| 30   | CR0019403   | ASSY, BIN VANDAL DEFLECT       | 2   |
| 31   | 80080155    | NUT,R, ELASTIC STOP #8-32      | 2   |



**FIGURE 12: BIN & PANEL ASM AMBIENT 6W(PCR0012907)**

**TABLE 12: BIN & PANEL ASM AMBIENT 6W**

| <b>ITEM</b> | <b>PART NUMBER</b> | <b>DESCRIPTION</b>           | <b>QTY</b> |
|-------------|--------------------|------------------------------|------------|
| 1           | PCR0013745         | PANEL & LINER ASM AMB 6W     | 1          |
| 2           | PCR0013428         | DEL BIN ASSY COMMON 6W       | 1          |
| 3           | 1811072            | ROD, STOP, DELIVERY DOOR     | 1          |
| 4           | 1811082            | ROD-STOP-DEL DOOR-L/H        | 1          |
| 5           | 1172021            | NUT, 1/4-20 WHIZ-LOCK        | 6          |
| 6           | CR0013511          | GUIDE, DEL BIN ELEVATOR      | 1          |
| 7           | CR0013521          | GUIDE-DELIVERY BIN (R)       | 1          |
| 8           | CR0017897          | HARNESS, EMITTER TO DETECTOR | 1          |
| 9           | CR0005960          | FOAM, AERO ADHESIVE BACKED   | 72         |

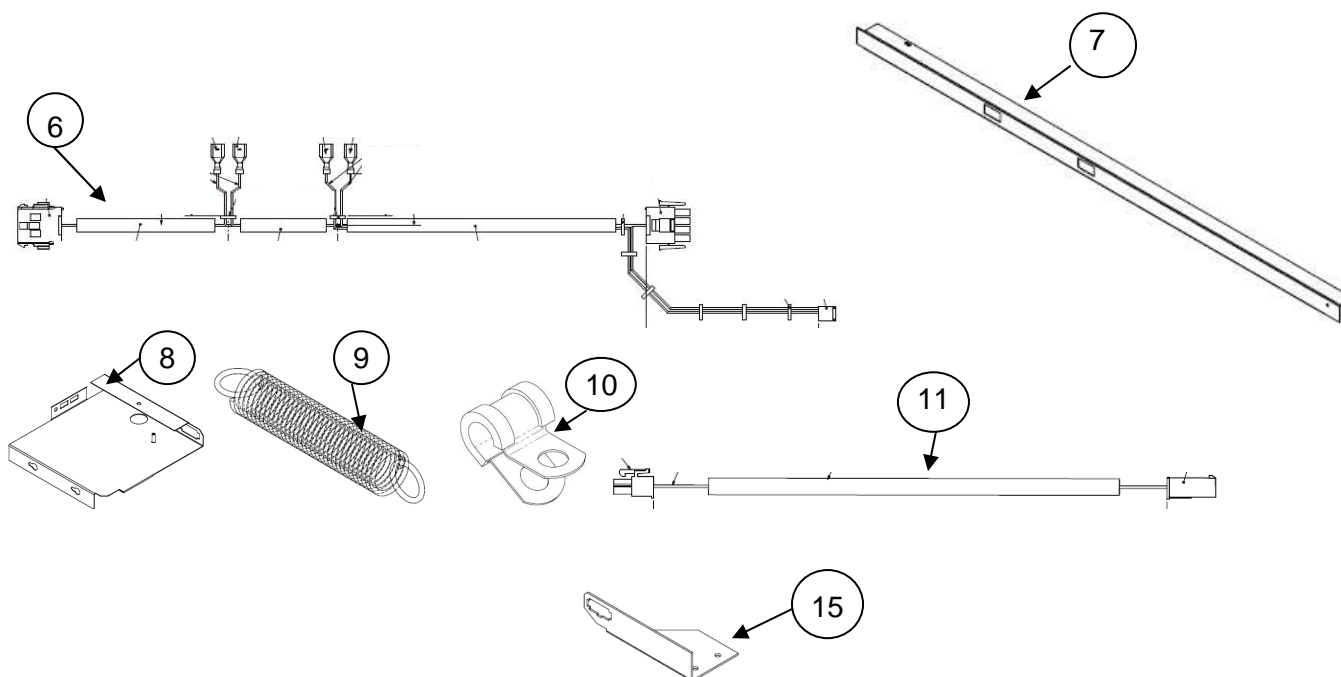


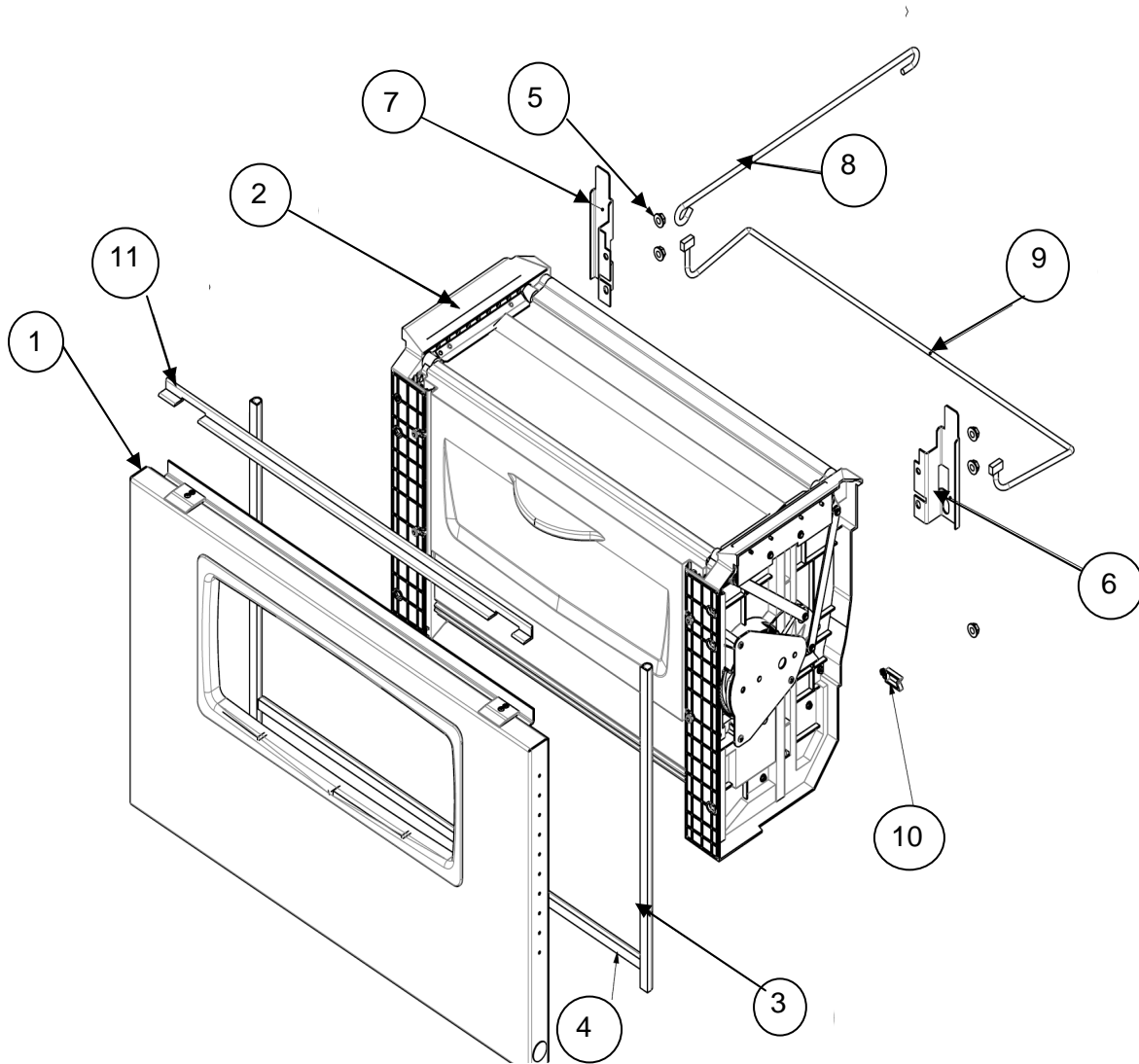
**FIGURE 13: COMBO CABINET AND GLASS DOOR ASSEMBLY**



**TABLE 13: COMBO CABINET AND GLASS DOOR ASSEMBLY**

| ITEM | PART NUMBER |           | DESCRIPTION                        | QTY |
|------|-------------|-----------|------------------------------------|-----|
|      | MODEL 471   | MODEL 472 |                                    |     |
| 1    | CR0018915   | -----     | ASSY,SHELL FOAM 4W "T"BLACK        | 1   |
| 2    | -----       | CR0018830 | ASSY, SHELL FOAM 6W "T"BLK         | 1   |
| 3    | CR0008430   | CR0008430 | LEG ASSY, COMP 6" PAINTED          | 4   |
| 4    | CR0013833   | -----     | ASSY, 4W GLASS DOOR CMB            | 1   |
| 4    | CR0019904   | -----     | ASSY, 4W GLASS DR, 115V HTD        | 1   |
| 5    | -----       | CR0013834 | ASSY, 6W GLASS DOOR CMB            | 1   |
| 5    | -----       | CR0019753 | ASSY, 6W GLASS DR, 115V HTD        | 1   |
| 6    | CR0021025   | CR0021025 | HARNESS, DR PWR INTRRPT DOM        | 1   |
| 7    | CR0021069   | CR0021028 | BRKT,HTD DOOR HARN MEDIA           | 1   |
| 8    | CR0021068   | CR0021068 | ASSY, HTD DOOR SPRNG BKT MG        | 1   |
| 9    | CR0020864   | CR0020864 | SPRING, HTD DR TENSION EXT         | 1   |
| 10   | CR0020842   | CR0020842 | CLAMP, STEEL WITH TPE SLEEVE .311" | 1   |
| 11   | 80493004    | 80493004  | HARN, EXT DC SUPPLY PWR OUT        | 1   |
| 12   | 1401110     | 1401110   | SWITCH (NOT SHOWN)                 | 1   |
| 13   | 1811036     | 1811036   | COIN BOX (NOT SHOWN)               | 1   |
| 14   | CR0021467   | CR0021467 | BRKT, VANDAL, BLK                  | 1   |
| 15   | CR0005034   | CR0005034 | BRACKET, PLUG, TRAY                | 1   |
| 16   | CR0021031   | CR0021031 | LOCK ARM, ENCLOSED MEDIA           | 2   |
| 17   | CR0004545   | CR0004545 | ASSY, SCREEN EGRESS                | 1   |
| 18   | P4710839    | P4720570  | BASE PLATE & ACCYS ASM (OPTION)    | 1   |
| 19   | CR0029420   | CR0029420 | HARNESS, COMBO TRAY CHANNEL        | 1   |

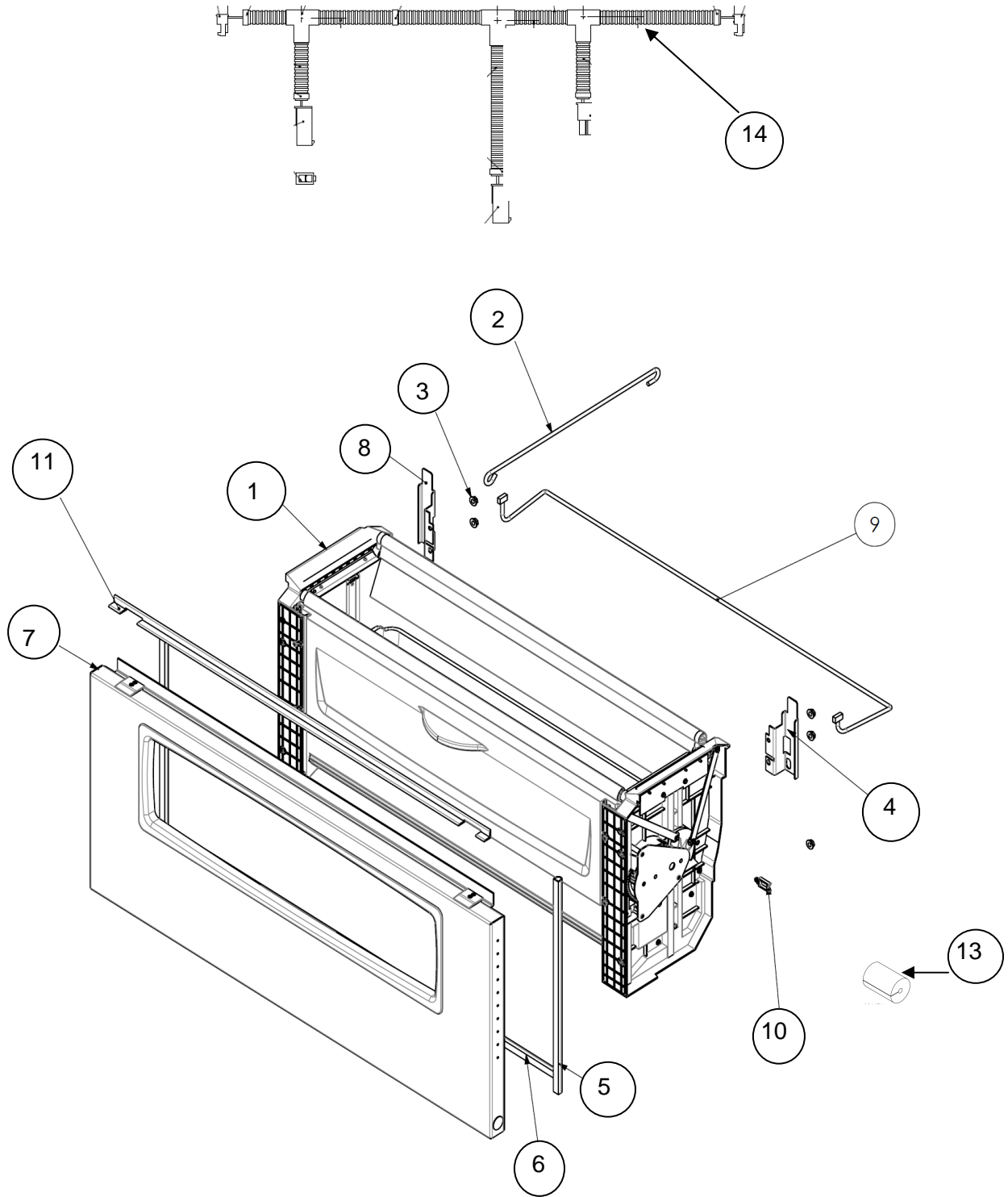




**FIGURE 14: BIN & PANEL ASM COMBO 4W (PCR0014178)**

**TABLE 14: BIN & PANEL ASM COMBO 4W**

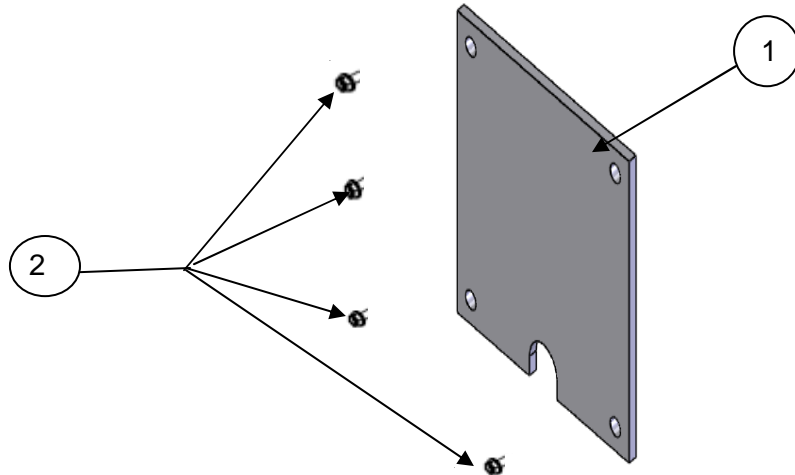
| ITEM | PART NUMBER | DESCRIPTION                                | QTY |
|------|-------------|--|-----|
| 1    | PCR0021209  | HEATED PANEL ASM, 4W CMB                   | 1   |
| 2    | PCR0013478  | DEL BIN ASSY COMMON 4W                     | 1   |
| 3    | CR0029066   | GASKET, D,DEL BIN SIDE                     | 2   |
| 4    | CR0028767   | GASKET, 4W DEL BIN/BOTTOM D                | 1   |
| 5    | 1172021     | NUT, 1/4-20 WHIZ-LOCK                      | 6   |
| 6    | CR0014242   | LATCH BRACKET-BIN CMB R                    | 1   |
| 7    | CR0014248   | LATCH BRACKET-BIN CMB L                    | 1   |
| 8    | CR0014142   | ROD, STOP,DELIVERY BIN                     | 1   |
| 9    | CR0017897   | HARNESS, EMITTER TO DETECTOR               | 1   |
| 10   | CR0006162   | WIRE SADDLE, WSBH-3-01                     | 1   |
| 11   | CR0020593   | BIN DOOR SEAL, 4W ADA CMB                  | 1   |
| 12   | CR0020911   | HARN, BIN HEATER ADA 4W 15WATT (NOT SHOWN) | 1   |
| 13   | 4727069     | GASKET, .19X.38 (100 ft/roll)(NOT SHOWN)   | *   |



**FIGURE 15: BIN & PANEL ASM COMBO 6W(PCR0012686)**

**TABLE 15: BIN & PANEL ASM COMBO 6W**

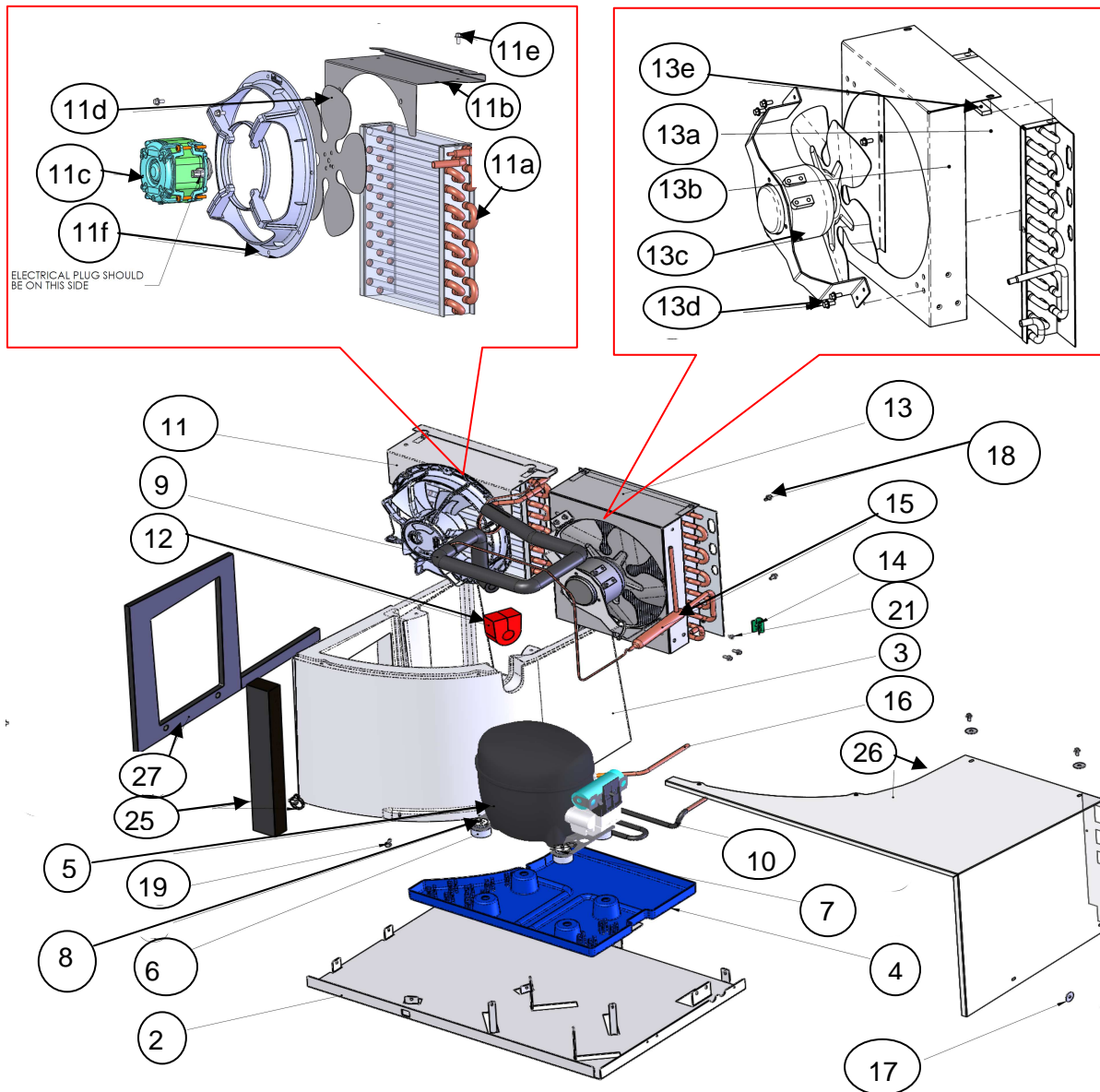
| <b>ITEM</b> | <b>PART NUMBER</b> | <b>DESCRIPTION</b>                      | <b>QTY</b> |
|-------------|--------------------|---|------------|
| 1           | PCR0013428         | DEL BIN ASSY COMMON 6W                  | 1          |
| 2           | CR0014142          | ROD, STOP,DELIVERY BIN                  | 1          |
| 3           | 1172021            | NUT, 1/4-20 WHIZ-LOCK                   | 6          |
| 4           | CR0014242          | LATCH BRACKET-BIN CMB R                 | 1          |
| 5           | CR0029066          | GASKET, D,DEL BIN SIDE                  | 2          |
| 6           | CR0028766          | GASKET, 6W DEL BIN/BOTTOM D             | 1          |
| 7           | PCR0021208         | HEATED PANEL ASM, 6W CMB                | 1          |
| 8           | CR0014248          | LATCH BRACKET-BIN CMB L                 | 1          |
| 9           | CR0017897          | HARNESS, EMITTER TO DETECTOR            | 1          |
| 10          | CR0006162          | WIRE SADDLE, WSBH-3-01                  | 1          |
| 11          | CR0020590          | BIN DOOR SEAL, 6W ADA CMB               | 1          |
| 12          | CR0021044          | HARNESS, BIN HTR ADA 6W 15W (NOT SHOWN) | 1          |
| 13          | CR0020895          | SEAL, SUREVEND WIRE OPENING             | 1          |
| 14          | CR0028207          | HARNESS, SUREVEND & FAN POWER           | 1          |



**FIGURE 16: COVER, CORD**

| <b>TABLE 16: COVER, CORD</b> |                    |                                |            |
|------------------------------|--------------------|--------------------------------|------------|
| <b>ITEM</b>                  | <b>PART NUMBER</b> | <b>DESCRIPTION</b>             | <b>QTY</b> |
| 1                            | CR0014835          | COVER, CORD                    | 1          |
| 2                            | 4741050            | SCREW,#8-32X.50 HX.HD.-T/F-BLK | 4          |

**THIS PAGE INTENTIONALLY LEFT BLANK**

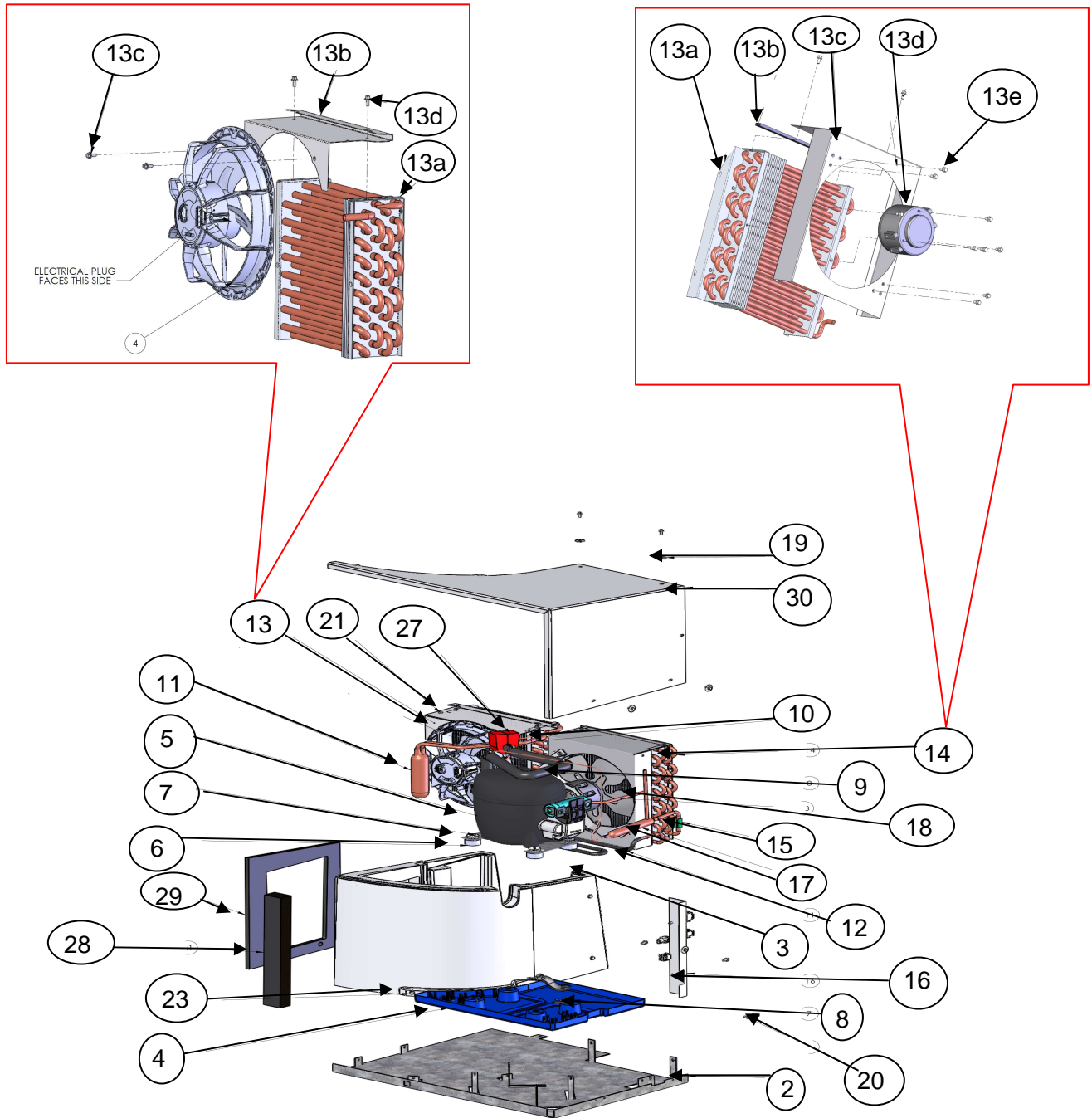


**FIGURE 17: REFRIGERATION UNIT ASSEMBLY – 120VAC 4W (471)**



**TABLE 17: REFRIGERATION UNIT ASSEMBLY–120VAC (471)**

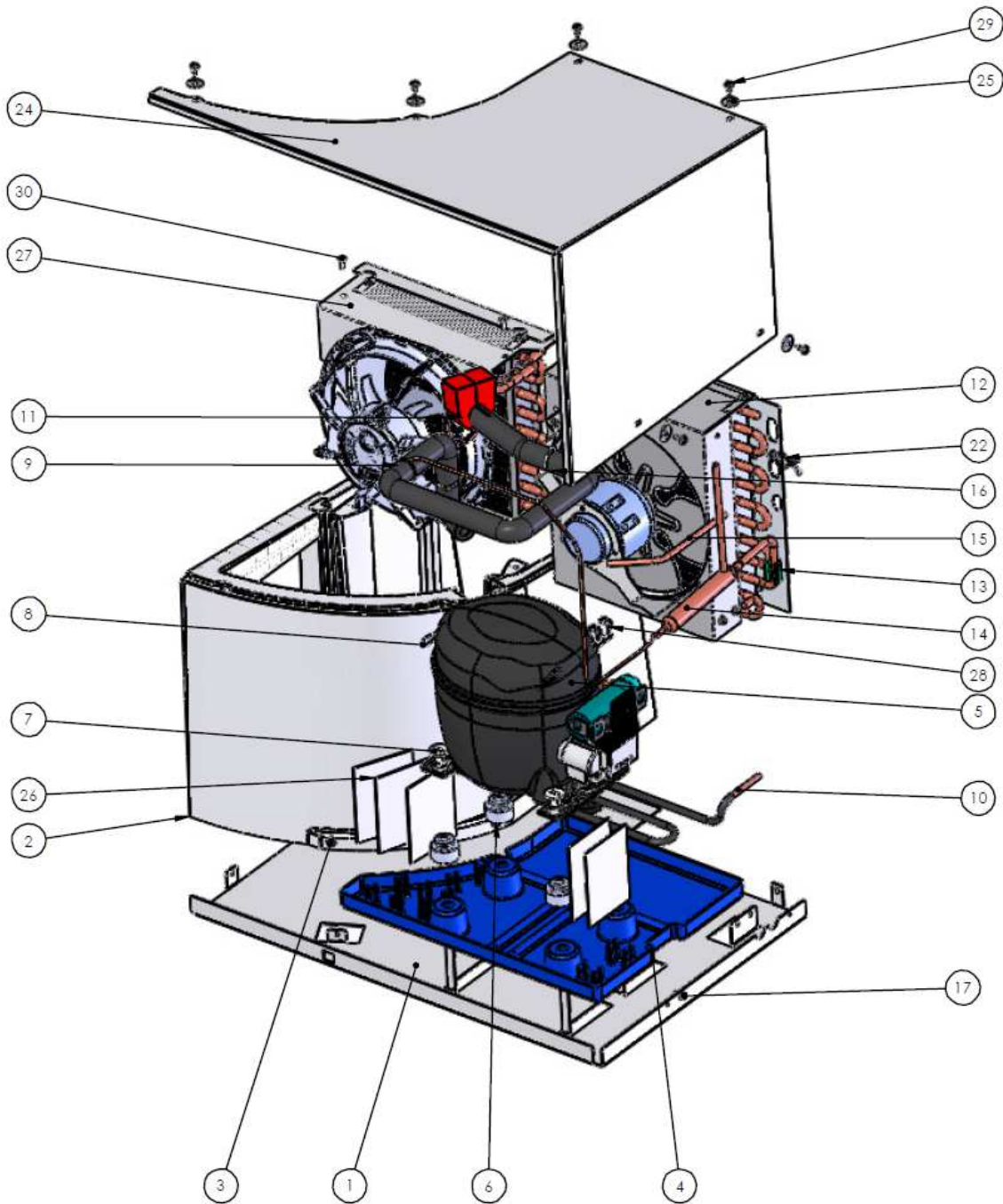
| ITEM | PART NUMBER | DESCRIPTION                                  | QTY |
|------|-------------|--|-----|
| 1    | CR0004431   | A,REFR DECK,115V60HZR134A,RM                 | 1   |
| 2    | CR0005277   | TRAY, REFR UNIT                              | 1   |
| 3    | CR0005267   | ASSY, EVAP BOX, MOLDED                       | 1   |
| 4    | CR0002072   | PAN,R, CONDENSATE W/WICKS                    | 1   |
| 5    | CR0005297   | COMP,A,FFU100HAK HST 115V R134               | 1   |
| 6    | 90200057    | GROMMET,R, COMPRESSOR (Part of item 5)       | 4   |
| 7    | 90180391    | PLUG,R, COMPRESSOR GROMMET (Part of item 5)  | 4   |
| 8    | 90090188    | CLIP,R, RETAINER COMPRESSOR (Part of item 5) | 4   |
| 9    | CR0005304   | A, HEAT EXCHANGE FORMED DOM                  | 1   |
| 10   | 65704081    | A, TUBE, CONDENSATE LOOP                     | 1   |
| 11   | CR0010938   | ASSY, EVAP COIL AND FAN                      | 1   |
| 11a  | CR0004375   | EVAPORATOR, 3R X 8 X 9                       | 1   |
| 11b  | CR0005301   | SHROUD,FAN                                   | 1   |
| 11c  | CR0022409   | MOTOR, EVAPORATR ECPLUS 115V                 | 1   |
| 11d  | 80030438    | SCRW,R,8-32x3/8 TYPE1 HXWSHR                 | 4   |
| 12   | CR0005265   | GROMMET, EVAP BOX SEAL                       | 1   |
| 13   | CR0004465   | A,CONDNSR 2x8x9 EM&S 120V9W                  | 1   |
| 13a  | CR0004376   | CONDENSER, 3R X 8 X 11                       | 1   |
| 13b  | CR0004466   | SHROUD, COND FAN 8" FACE                     | 1   |
| 13c  | CR0002309   | A,CONDNSR FAN MOTOR,STRAP                    | 1   |
| 13d  | 80030438    | SCRW,R,8-32x3/8 TYPE1 HXWSHR                 | 6   |
| 13e  | 80360124    | TAPE,R,FM CLOSED CELL .187X.50               | 8   |
| 14   | CR0005716   | CLIP, SPRING 5/16-1/4 COUPLE                 | 1   |
| 15   | 80240129    | DRYER,R,..054 EXTND OUTLT R134a              | 1   |
| 16   | 63505019    | A, TUBE PROCESS 6.75IN                       | 1   |
| 17   | 6138181     | WASHER, PLATE SS                             | 4   |
| 18   | 80030438    | SCRW,R,8-32x3/8 TYPE1 HXWSHR                 | 9   |
| 19   | 80030541    | SCREW,R, #10 X .750 TEK ZINC                 | 4   |
| 20   | 9987852     | PROBE, TEMP SENSOR (NOT SHOWN)               | 3   |
| 21   | 80030434    | SCRW,R,8-32x¼ PHL PAN SWGFRM                 | 1   |
| 22   | 4499001     | HARNESS, TEMP SENSORS (NOT SHOWN)            | 1   |
| 23   | CR0023604   | HARNESS, FAN EXTENSION (NOT SHOWN)           | 1   |
| 24   | CR0023603   | HARNESS, COMPRESSOR EXT (NOT SHOWN)          | 1   |
| 25   | CR0006166   | GASKET, 1.75 X 1.181 SOFT                    | 1   |
| 26   | CR0005563   | DUCT, CONDENSER EXIT 3R                      | 1   |
| 27   | CR0005370   | GASKET SET, REFR UNIT                        | 1   |



**FIGURE 18: REFRIGERATION UNIT ASSEMBLY – 120VAC 6W (472)**

**TABLE 18: REFRIGERATION UNIT ASSEMBLY–120VAC (472)**

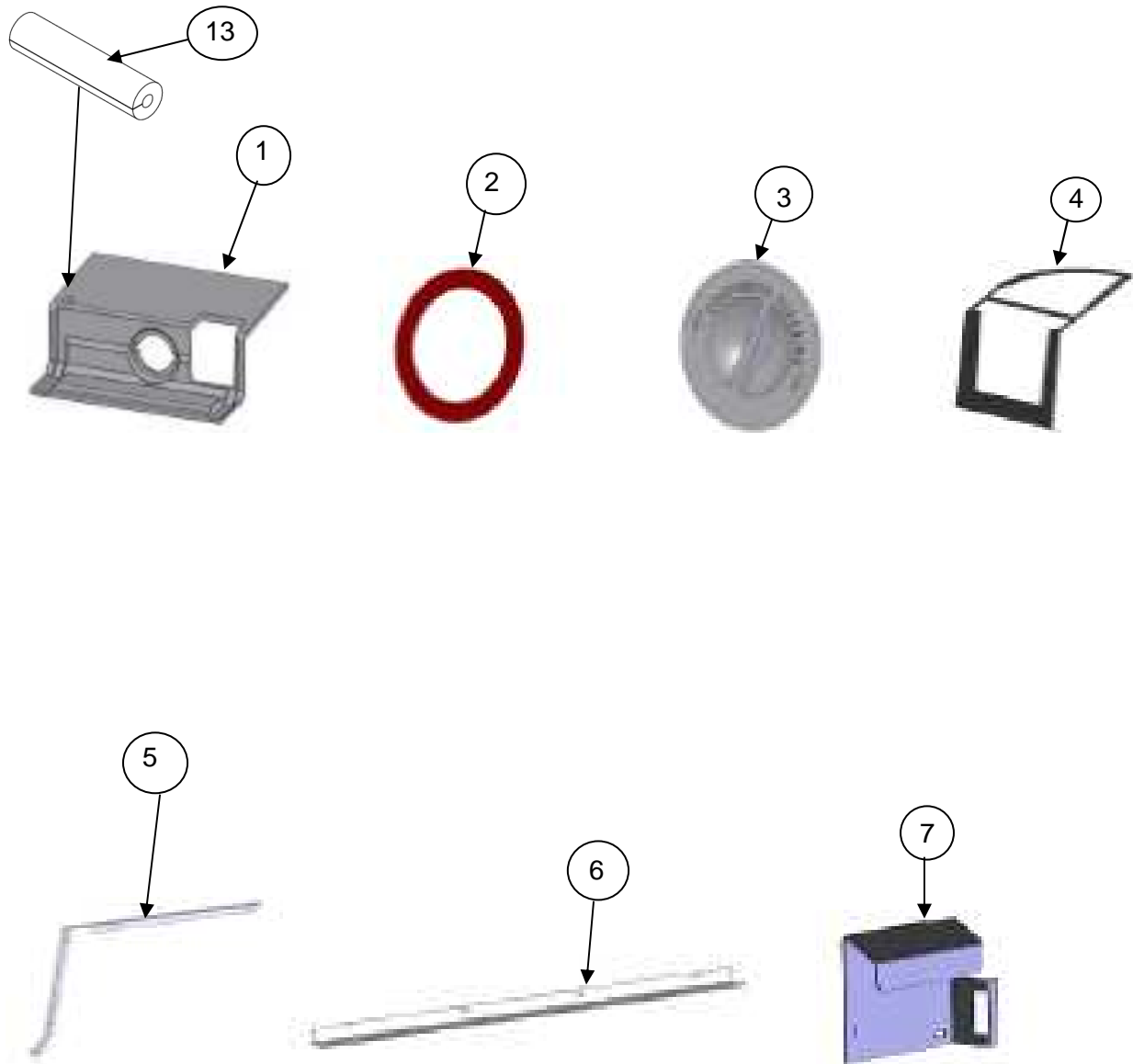
| ITEM | PART NUMBER | DESCRIPTION                                  | QTY |
|------|-------------|--|-----|
| 1    | CR0008293   | A,REFR DECK,115V60HZR134,RMM                 | 1   |
| 2    | CR0008295   | TRAY, REFR UNIT                              | 1   |
| 3    | CR0005267   | ASSY, EVAP BOX, MOLDED                       | 1   |
| 4    | CR0002072   | PAN,R, CONDENSATE W/WICKS                    | 1   |
| 5    | 80250289    | A,COMP,FFU130HAX,513200620                   | 1   |
| 6    | 90200057    | GROMMET,R, COMPRESSOR (Part of item 5)       | 4   |
| 7    | 90180391    | PLUG,R, COMPRESSOR GROMMET (Part of item 5)  | 4   |
| 8    | 90090188    | CLIP,R, RETAINER COMPRESSOR (Part of item 5) | 4   |
| 9    | CR0008396   | A, HEAT EXCHANGE FORMED                      | 1   |
| 10   | CR0008115   | TUBE, SUCTION EVAP-ACC                       | 1   |
| 11   | 80240046    | ACCUMULATOR,R,1.375OD x 6.00                 | 1   |
| 12   | 65704081    | A, TUBE, CONDENSATE LOOP                     | 1   |
| 13   | CR0010935   | ASSY, EVAP COIL AND FAN EBRMM                | 1   |
| 13a  | CR0004391   | EVAPORATOR COIL                              | 1   |
| 13b  | CR0005301   | SHROUD,FAN                                   | 11  |
| 13c  | 80030438    | SCRW,R,8-32x3/8 TYPE1 HXWSHR                 | 4   |
| 13d  | CR0022409   | MOTOR, EVAPORATR ECPLUS 115V                 | 1   |
| 14   | CR0005719   | ASSY,CONDENSER,4R,115V60Hz                   | 1   |
| 14a  | CR0010358   | CONDENSER. COIL 11 x 8 x 2.5,P               | 1   |
| 14b  | 80360124    | TAPE,R,FM CLOSED CELL .187X.50               | 10  |
| 14c  | CR0005726   | SHROUD, COND FAN 8" FACE                     | 1   |
| 14d  | CR0002309   | A,CONDENSER FAN MOTOR,STRAP                  | 1   |
| 14e  | 80030438    | SCRW,R,8-32x3/8 TYPE1 HXWSHR                 | 11  |
| 15   | CR0005716   | CLIP, SPRING 5/16-1/4 COUPLE                 | 1   |
| 16   | CR0008296   | BRACKET, COND EXT 4 ROW                      | 1   |
| 17   | 80240129    | DRYER,R,.054 EXTND OUTLT R134a               | 1   |
| 18   | 63505019    | A, TUBE PROCESS 6.75IN                       | 1   |
| 19   | 6138181     | WASHER, PLATE SS                             | 7   |
| 20   | 80030438    | SCRW,R,8-32x3/8 TYPE1 HXWSHR                 | 8   |
| 21   | 80030454    | SCREW,R, HEX HD,10-16,.50 LG                 | 4   |
| 22   | 80030541    | SCREW,R, #10 X .750 TEK ZINC                 | 8   |
| 23   | 9987852     | PROBE, TEMP SENSOR (NOT SHOWN)               | 3   |
| 24   | 4499001     | HARNESS-TEMP SENSOR (NOT SHOWN)              | 1   |
| 25   | CR0023604   | HARNESS, FAN EXTENSION (NOT SHOWN)           | 1   |
| 26   | CR0023603   | HARNESS, COMPRESSOR EXT (NOT SHOWN)          | 1   |
| 27   | CR0005265   | GROMMET, EVAP BOX SEAL                       | 1   |
| 28   | CR0006166   | GASKET, 1.75 X 1.181 SOFT                    | 1   |
| 29   | CR0005370   | GASKET SET, REFR UNIT                        | 1   |
| 30   | CR0008335   | DUCT, CONDENSER EXIT 4R                      | 1   |



**FIGURE 19: REFRIGERATION UNIT ASSEMBLY – 230VAC 4W (471,472)**

**TABLE 19: REFRIGERATION UNIT ASSEMBLY–230VAC (471,472)**

| ITEM | PART NUMBER | DESCRIPTION                         | QTY |
|------|-------------|-------------------------------------|-----|
| *    | CR0006230   | A,REFR DECK,230V50HZR134A,RM        | 1   |
| 1    | CR0005277   | TRAY, REFR UNIT                     | 1   |
| 2    | CR0005267   | ASSY, EVAP BOX, MOLDED              | 1   |
| 3    | 80030541    | SCREW,R, #10 X .750 TEK ZINC        | 4   |
| 4    | CR0002072   | PAN,R, CONDENSATE W/WICKS           | 1   |
| 5    | CR0005298   | COMP,A,FFU130HAXHST,220R134         | 1   |
| 5a   | CR0005485   | COMP,FFU130HAXHST,220V,R134         | 1   |
| 5b   | CR0006236   | COVER, ELECTRICAL COMP, INT         | 1   |
| 5c   | 80240217    | BRACKET, CAPACTR FFU130HAX          | 1   |
| 5d   | CR0006234   | CAPCTR START,A,FFU130HAX220         | 1   |
| 5e   | CR0005487   | RELAY,COMPSTRT,FFU130HAX230         | 1   |
| 5f   | CR0005489   | CORD, RELIEF FFU130HAX 230V         | 1   |
| 5g   | CR0005718   | OVERLD,COMPRSR FFU130HAX230         | 1   |
| 6    | 90200057    | GROMMET,R, COMPRESSOR               | 4   |
| 7    | 90180391    | PLUG,R, COMPRESSOR GROMMET          | 4   |
| 8    | 90090188    | CLIP,R, RETAINER COMPRESSOR         | 4   |
| 9    | CR0005304   | A, HEAT EXCHANGE FORMED             | 1   |
| 10   | 65704081    | A, TUBE, CONDENSATE LOOP            | 1   |
| 11   | CR0005265   | GROMMET, EVAP BOX SEAL              | 1   |
| 12   | CR0006231   | A,CONDNSR 3x8x9EM&S 220V16W         | 1   |
| 12a  | CR0004376   | CONDENSER, 3R X 8 X 11              | 1   |
| 12b  | CR0004466   | SHROUD, COND FAN 8" FAC             | 1   |
| 12c  | CR0004747   | A,CONDNSR FAN MTR,STRP EXP          | 1   |
| 12d  | CR0004177   | MOTOR,A,FAN EM&S,16W 230V/50HZ      | 1   |
| 13   | CR0005716   | CLIP, SPRING 5/16-1/4 COUPL         | 1   |
| 14   | 80240129    | DRYER,R,.054 EXTND OUTLT R134a      | 1   |
| 15   | 63505019    | A, TUBE PROCESS 6.75IN              | 1   |
| 16   | 90190201    | TIE,R, WIRE 7 1/2" Length           | 5   |
| 17   | 80030438    | SCRW,R,8-32x3/8 TYPE1 HXWSHR        | 5   |
| 18   | 9987852     | PROBE, TEMP SENSOR                  | 3   |
| 19   | 4499001     | HARNESS, TEMP SENSORS               | 1   |
| 20   | CR0023604   | HARNESS, FAN EXTENSION (NOT SHOWN)  | 1   |
| 21   | CR0023603   | HARNESS, COMPRESSOR EXT (NOT SHOWN) | 1   |
| 22   | W223        | WIRE TIE,R, TWIST,.56-.60 ID        | 1   |
| 24   | CR0005563   | DUCT, CONDENSER EXIT 3R             | 1   |
| 25   | 6138181     | WASHER, PLATE SS                    | 7   |
| 26   | 90580069    | SOAKER,R,FIBERGLASS CONDENSATE      | 6   |
| 27   | CR0006232   | A, EVAP COIL FAN SHROUD EXP         | 1   |
| 27a  | CR0004375   | EVAPORATOR, 3R X 8 X 9              | 1   |
| 27b  | CR0005301   | SHROUD,FAN 9X8X3.7,8in-RM WLN       | 1   |
| 27c  | CR0004783   | FAN,A, EBM 1900 RPM 230/50          | 1   |
| 28   | 90460136    | TERMINL,R,ARKLESS90deg QCKCNCT      | 2   |
| 29   | 80030454    | SCREW,R, HEX HD,10-16,.50 LG        | 9   |
| 30   | 80030431    | SCRW,R,8-18x½ PHILPN AB MACH        | 2   |

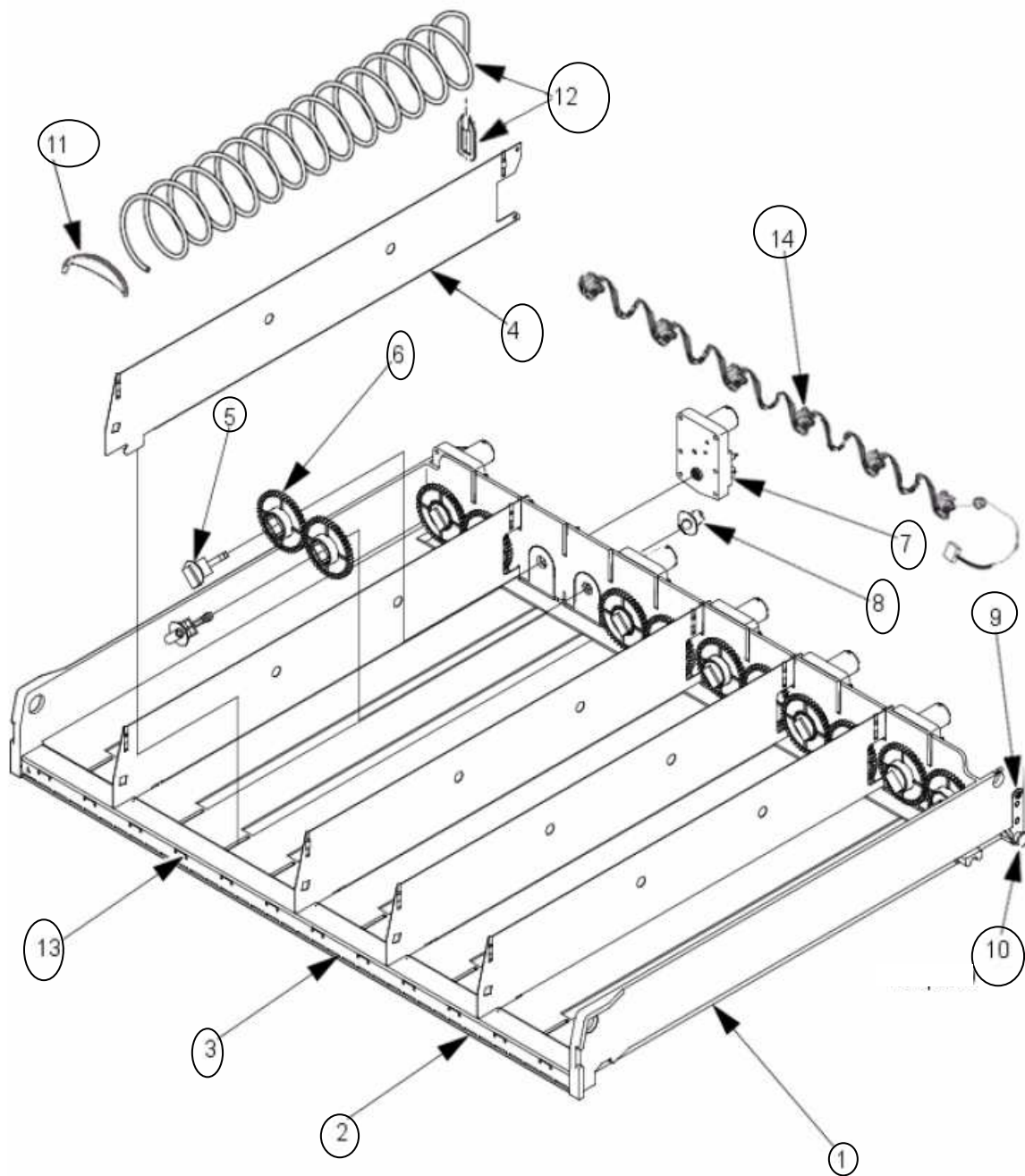


**FIGURE 20: COMBO ADA BIN BARRIER**

**TABLE 20: COMBO ADA BIN BARRIER**

| ITEM | PART NUMBER |            | DESCRIPTION                            | QTY |
|------|-------------|------------|--|-----|
|      | 471 (4W)    | 472(6W)    |  |     |
| 1    | PCR0019052  | PCR0019051 | ASSY, HORIZ BARRIER                    | 1   |
| 2    | CR0005406   | CR0005406  | SEAL,RUBBER ACCESS PANEL               | 1   |
| 3    | CR0014216   | CR0014216  | CAP, COND CLEANING                     | 1   |
| 4    | CR0025320   | CR0025320  | GASKET, EVAP BOX                       | 1   |
| 5    | CR0014210   | CR0014210  | SUPPORT, LH BARRIER                    | 1   |
| 6    | CR0014061   | CR0013898  | BRACKET, BARRIER                       | 1   |
| 7    | CR0014298   | CR0014298  | PLATE, DEFLECTOR LEFT                  | 1   |
| 8    | CR0006162   | CR0006162  | WIRE SADDLE, WSBH-3-01 (NOT SHOWN)     | 2   |
| 9    | CR0025319   | CR0025319  | GASKET, REAR CAB                       | 1   |
| 10   | CR0025322   | CR0025322  | GASKET, INSUL BARR CHANNEL(NOT SHOWN)  | 2   |
| 11   | 19609043    | 19609043   | RIVET,R, BULBEX 3/16 (NOT SHOWN)       | 9   |
| 12   | CR0007533   | CR0007533  | SCREW,10-24X3/8F HEX SL BLK(NOT SHOWN) | 2   |
| 13   | CR0020894   | CR0020894  | SEAL,REF PWR MB WIRE OPNNG RM          | 1   |

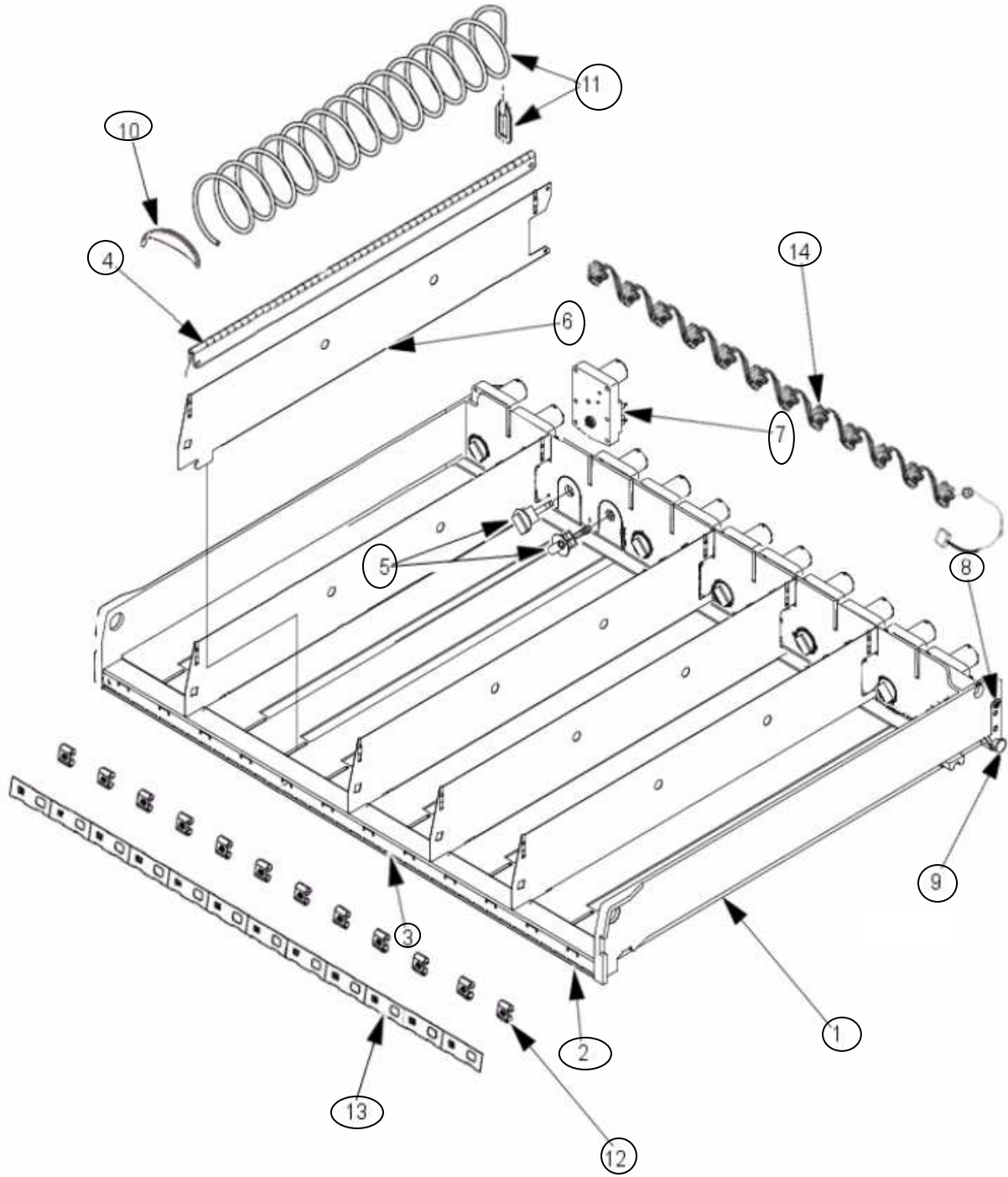




**FIGURE 21: SNACK TRAY**

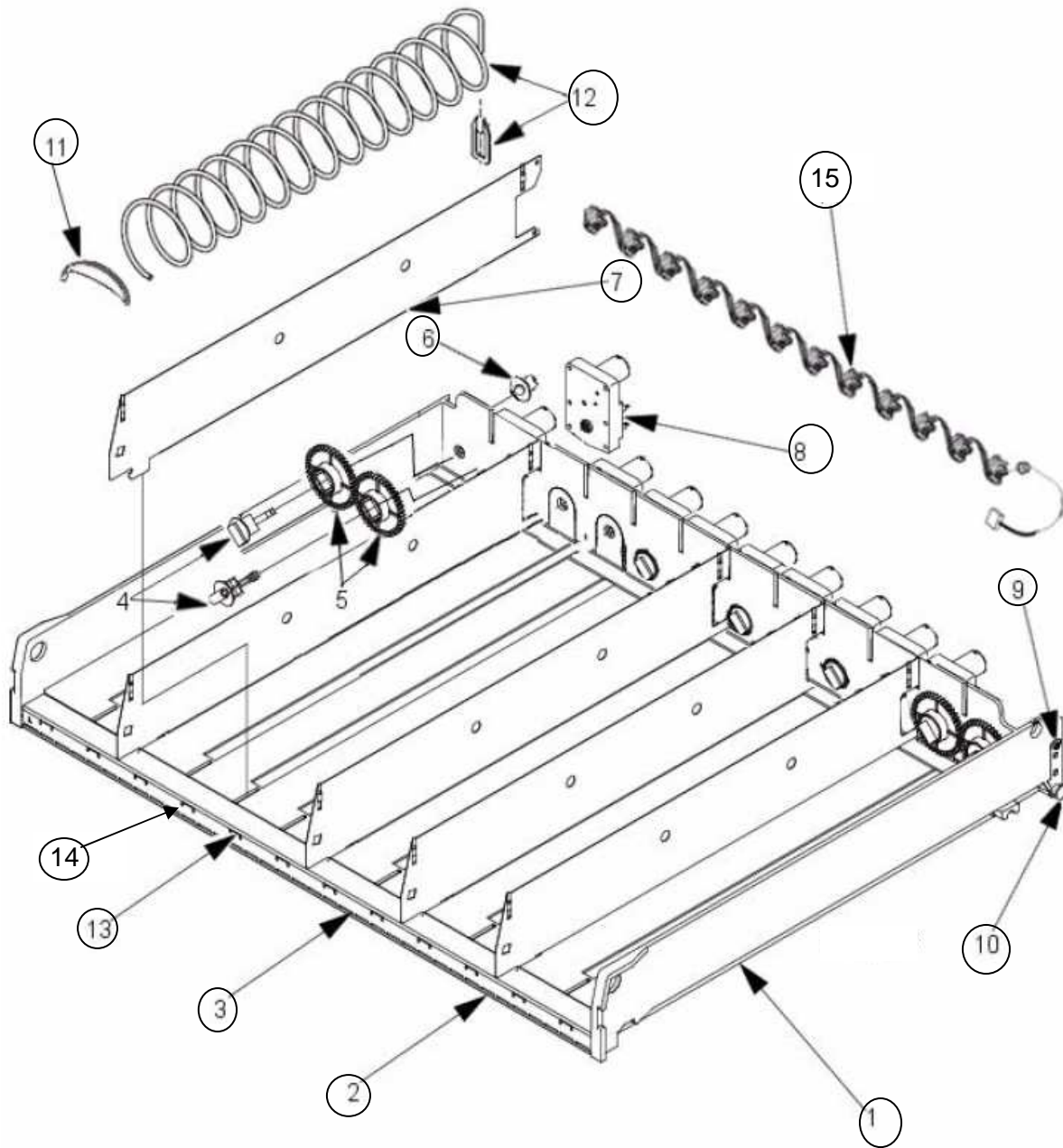


| <b>TABLE 21: SNACK TRAY</b> |                      |                      |                                      |            |            |
|-----------------------------|----------------------|----------------------|--------------------------------------|------------|------------|
| <b>ITEM</b>                 | <b>MODEL<br/>186</b> | <b>MODEL<br/>187</b> | <b>DESCRIPTION</b>                   | <b>186</b> | <b>187</b> |
| *                           | P1807000             | P1817000             | TRAY-SNACK ASSEMBLY(NO SPIRALS)      | ----       | ----       |
| 1                           | 1807022              | CR0007114            | MOLDED TRAY & AXLE ASM               | ----       | ----       |
|                             | 1807003              | 1817003              | MOLDED TRAY ONLY-26.84 DEEP          | ----       | ----       |
| 2                           | 1807004              | 1817058              | RAIL-PRICE SEL                       | 1          | 1          |
| 3                           | 1807005              | 1817005              | HOLDR,PRICE ROLL                     | 1          | 1          |
| 4                           | 1477175              | 1477175              | WALL-TRAY                            | 3          | 5          |
| 5                           | 1477113              | 1477113              | COUPLING-SPIRAL                      | 8          | 12         |
| 6                           | 1477020              | 1477020              | GEAR, TRAY                           | 8          | 12         |
| 7                           | 1577038              | 1577038              | MOTOR & PC BOARD ASSEMBLY            | 4          | 6          |
| 8                           | 1477022              | 1477022              | BEARING-COUPLER                      | 4          | 6          |
| 9                           | 1817033              | 1817033              | STRAP, SUPPORT AXLE STOP             | 2          | 2          |
| 10                          | 1817034              | 1817034              | AXLE-TRAY                            | 2          | 2          |
| 11                          | 1477074              | 1477074              | PUSHER-PRODUCT                       | ----       | ----       |
| 12                          | ----                 | ----                 | SEE SPIRAL TABLE 25 ON PAGE 54       | ----       | ----       |
| 13                          | ----                 | ----                 | ITEM LABELS & PRICE ROLLS ON PAGE 47 | ----       | ----       |
| 14                          | CR0010952            | CR0010942            | HARNESS-MTR-SHORT                    | 1          | 1          |



**FIGURE 22: CANDY TRAY**

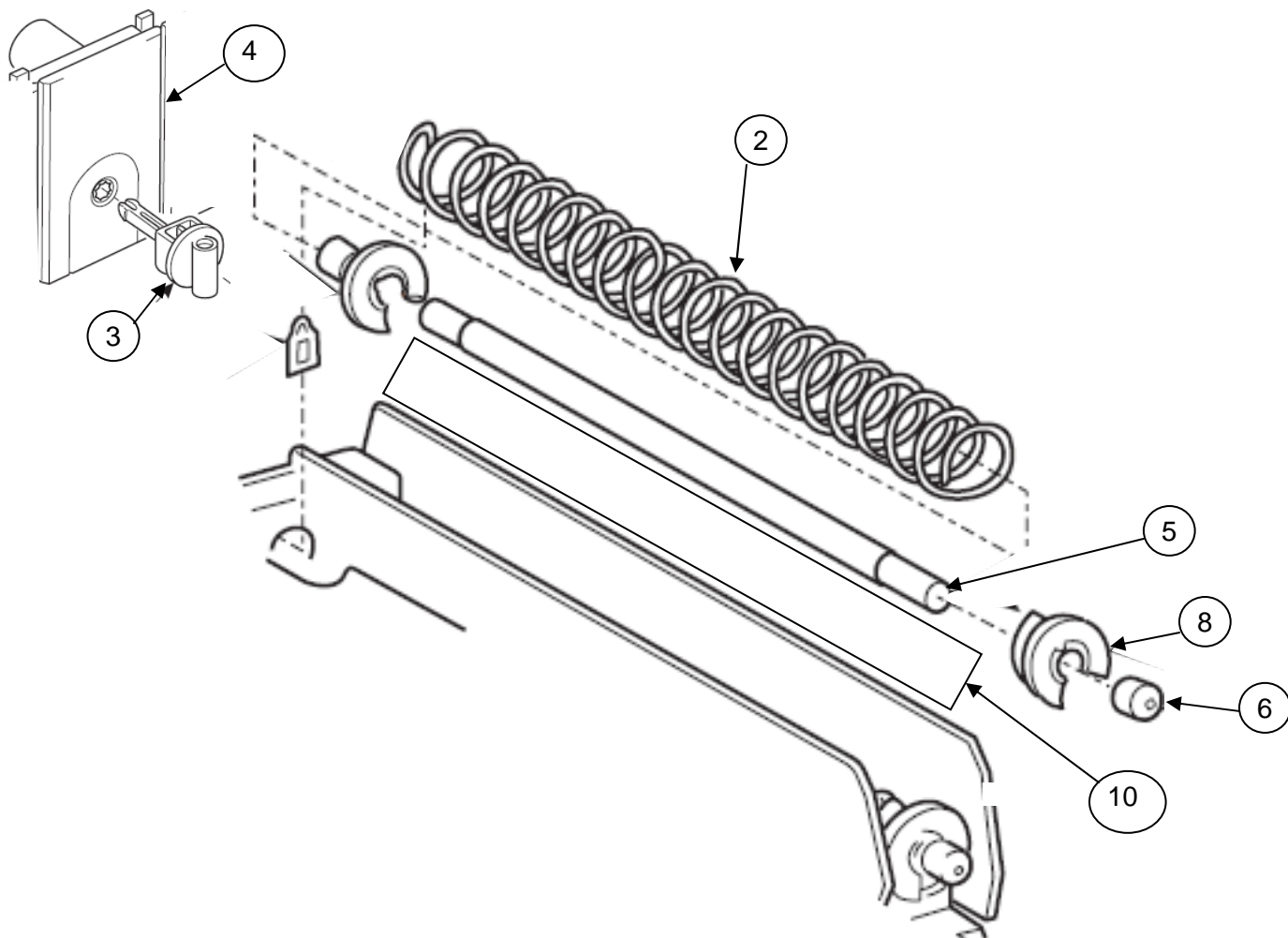
| <b>TABLE 22: CANDY TRAY</b> |                      |                      |  |            |            |
|-----------------------------|----------------------|----------------------|--|------------|------------|
| <b>ITEM</b>                 | <b>MODEL<br/>186</b> | <b>MODEL<br/>187</b> | <b>DESCRIPTION</b>                           | <b>186</b> | <b>187</b> |
| *                           | P1807001             | P1817001             | TRAY-CANDY ASSEMBLY(NO SPIRALS)              | ----       | ----       |
| 1                           | 1807022              | CR0007114            | MOLDED TRAY & AXLE ASM                       | ----       | ----       |
|                             | 1807003              | 1817003              | MOLDED TRAY ONLY-26.84 DEEP                  | ----       | ----       |
| 2                           | 1807004              | 1817058              | RAIL-PRICE SEL                               | 1          | 1          |
| 3                           | 1807005              | 1817005              | HOLDR,PRICE ROLL                             | 1          | 1          |
| 4                           | 1677193              | 1677193              | SPACER-ADJUSTABLE                            | 2          | 2          |
| 5                           | 1477113              | 1477113              | COUPLING-SPIRAL                              | 8          | 12         |
| 6                           | 1477175              | 1477175              | WALL-TRAY                                    | 7          | 11         |
| 7                           | 1577038              | 1577038              | MOTOR & PC BOARD ASSEMBLY                    | 4          | 6          |
| 8                           | 1817033              | 1817033              | STRAP, SUPPORT AXLE STOP                     | 2          | 2          |
| 9                           | 1817034              | 1817034              | AXLE-TRAY                                    | 2          | 2          |
| 10                          | 1477074              | 1477074              | PUSHER-PRODUCT                               | ----       | ----       |
| 11                          | ----                 | ----                 | SEE SPIRAL TABLE 25 ON PAGE 54               | ----       | ----       |
| 12                          | AP17400153           | AP17400153           | ROLL-PRICE LABEL SELF-COILING,\$.40 - \$2.40 | OPT        | OPT        |
|                             | 80388674             | 80388674             | ROLL-PRICE LABEL SELF-COILING,\$2.40-\$4.35  | OPT        | OPT        |
|                             | 1477014              | 1477014              | ROLL, PRICE CENTS                            |            |            |
|                             | 1477015              | 1477015              | ROLL, PRICE DOLLARS                          |            |            |
|                             | AP17400185           | AP17400185           | ROLL-PRICE LABEL SELF-COILING-UK             |            |            |
|                             | AP17400186           | AP17400186           | ROLL-PRICE LABEL SELF-COILING-AUS            |            |            |
|                             | AP17400188           | AP17400188           | ROLL-PRICE LABEL SELF-COILING-MEX            |            |            |
| 13                          | 1817041              | 1817041              | LABEL, ITEM NUMBERS-100's                    | 1          | 1          |
|                             | 1817042              | 1817042              | LABEL, ITEM NUMBERS-200's                    | 1          | 1          |
|                             | 1817043              | 1817043              | LABEL, ITEM NUMBERS-300's                    | 1          | 1          |
|                             | 1817044              | 1817044              | LABEL, ITEM NUMBERS-400's                    | 1          | 1          |
|                             | 1817045              | 1817045              | LABEL, ITEM NUMBERS-500's                    | 1          | 1          |
|                             | 1817046              | 1817046              | LABEL, ITEM NUMBERS-600's                    | 1          | 1          |
|                             | 1817047              | 1817047              | LABEL, ITEM NUMBERS-700's                    | 1          | 1          |
| 14                          | CR0011005            | CR0010832            | HARNESS-MTR TRAY SHORT                       | 1          | 1          |



**FIGURE 23: SQUAT TRAY**

**TABLE 23: SQUAT TRAY**

| ITEM | MODEL<br>186 | MODEL<br>187 | DESCRIPTION                                  | 186  | 187  |
|------|--------------|--------------|--|------|------|
| *    | P1807002     | P1817002     | TRAY-SQUAT ASSEMBLY (NO SPIRALS)             | ---- | ---- |
| 1    | 1807022      | CR0007114    | MOLDED TRAY & AXLE ASM                       | ---- | ---- |
|      | 1807003      | 1817003      | MOLDED TRAY ONLY-26.84 DEEP                  | ---- | ---- |
| 2    | 1807004      | 1817058      | RAIL-PRICE SEL                               | 1    | 1    |
| 3    | 1807005      | 1817005      | HOLDR,PRICE ROLL                             | 1    | 1    |
| 4    | 1477113      | 1477113      | COUPLING-SPIRAL                              | 8    | 12   |
| 5    | 1477020      | 1477020      | GEAR, TRAY                                   | 4    | 4    |
| 6    | 1477022      | 1477022      | BEARING-COUPLER                              | 2    | 2    |
| 7    | 1817011      | 1817011      | WALL-TRAY-G&M                                | 5    | 9    |
| 8    | 1577038      | 1577038      | MOTOR & PC BOARD ASSEMBLY                    | 6    | 6    |
| 9    | 1817033      | 1817033      | STRAP, SUPPORT AXLE STOP                     | 2    | 2    |
| 10   | 1817034      | 1817034      | AXLE-TRAY                                    | 2    | 2    |
| 11   | 1477074      | 1477074      | PUSHER-PRODUCT                               | ---- | ---- |
| 12   |              |              | SEE SPIRAL TABLE 25 ON PAGE 54               |      |      |
| 13   | AP17400153   | AP17400153   | ROLL-PRICE LABEL SELF-COILING,\$.40 - \$2.40 | OPT  | OPT  |
|      | 80388674     | 80388674     | ROLL-PRICE LABEL SELF-COILING,\$2.40-\$4.35  | OPT  | OPT  |
|      | 1477014      | 1477014      | ROLL, PRICE CENTS                            |      |      |
|      | 1477015      | 1477015      | ROLL, PRICE DOLLARS                          |      |      |
|      | AP17400185   | AP17400185   | ROLL-PRICE LABEL SELF-COILING-UK             |      |      |
|      | AP17400186   | AP17400186   | ROLL-PRICE LABEL SELF-COILING-AUS            |      |      |
|      | AP17400188   | AP17400188   | ROLL-PRICE LABEL SELF-COILING-MEX            |      |      |
| 14   | 1817041      | 1817041      | LABEL, ITEM NUMBERS-100's                    | 1    | 1    |
|      | 1817042      | 1817042      | LABEL, ITEM NUMBERS-200's                    | 1    | 1    |
|      | 1817043      | 1817043      | LABEL, ITEM NUMBERS-300's                    | 1    | 1    |
|      | 1817044      | 1817044      | LABEL, ITEM NUMBERS-400's                    | 1    | 1    |
|      | 1817045      | 1817045      | LABEL, ITEM NUMBERS-500's                    | 1    | 1    |
|      | 1817046      | 1817046      | LABEL, ITEM NUMBERS-600's                    | 1    | 1    |
|      | 1817047      | 1817047      | LABEL, ITEM NUMBERS-700's                    | 1    | 1    |
| 15   | CR0011005    | CR0010832    | HARNESS-MTR TRAY SHORT                       | 1    | 1    |

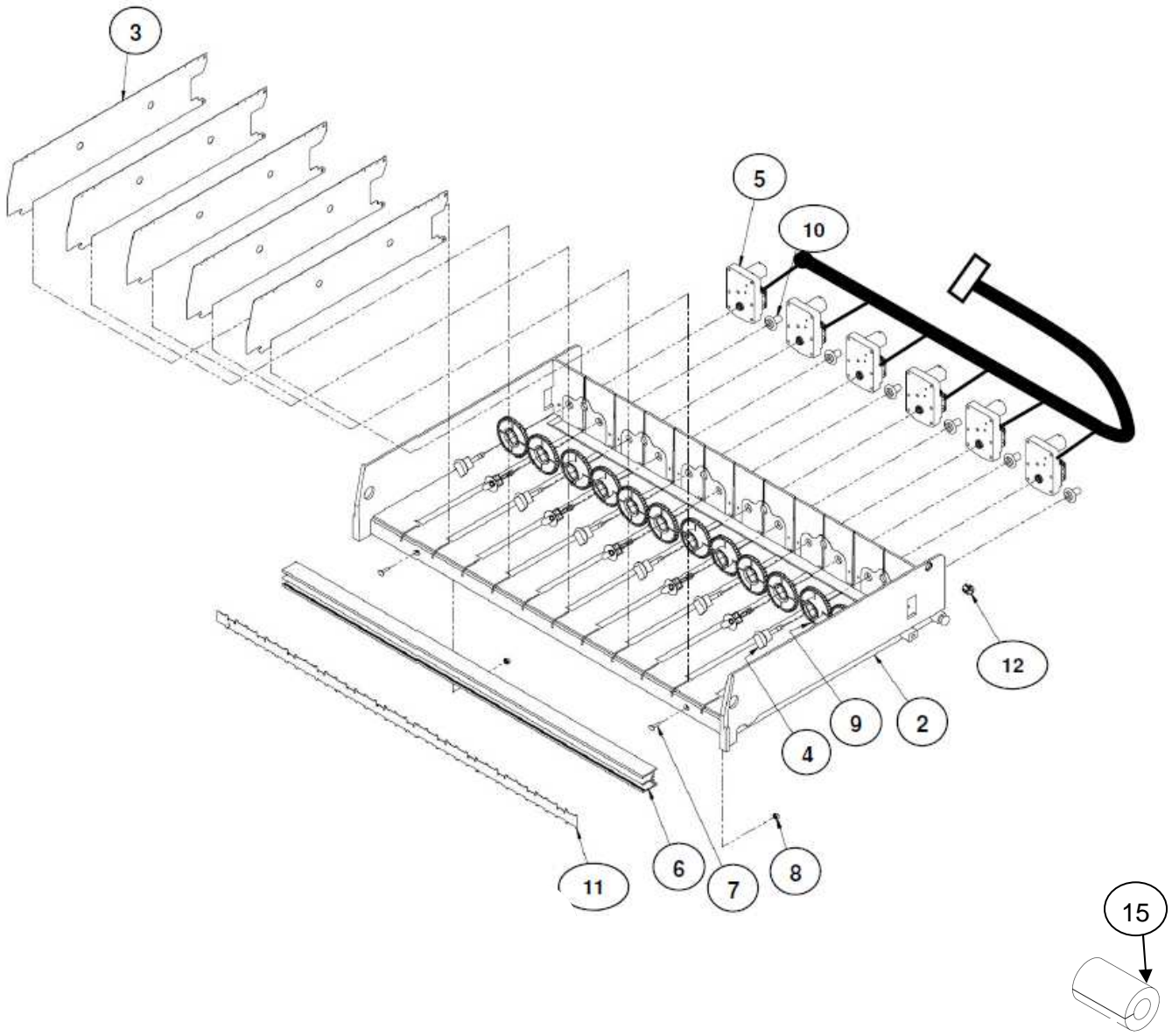


**FIGURE 24: HALF CYCLE GUM & MINT SPIRAL ASSEMBLY**

| <b>TABLE 24: HALF CYCLE GUM &amp; MINT SPIRAL ASSEMBLY</b> |                    |   |            |
|--|--------------------|---|------------|
| <b>ITEM</b>  | <b>PART NUMBER</b> | <b>DESCRIPTION</b>                                  | <b>QTY</b> |
| *  | 1817040            | KIT-PAIR-MERCH G&M SPIRALS-CONTAINS OF KIT BELOW    | 1          |
| 1  | 1477041            | WHT LH 20 CT SP & RETNR ASSEMBLY <b>(NOT SHOWN)</b> | 1          |
| 2  | 1477044            | WHT RH 20 CT SP & RETNR ASSEMBLY                    | 1          |
| 3  | 1477113            | COUPLING-SPIRAL                                     | 2          |
| 4  | 1477114            | MOTOR & PCB ASSEMBLY                                | 2          |
| 5  | 1677004            | SPIRAL INSERT ASSY-BLACK                            | 2          |
| 6  | 1677005            | CAP-SPIRAL INSERT-BLACK                             | 4          |
| 7  | 1817020            | DISK-G&M INSERT-L/H <b>(NOT SHOWN)</b>              | 2          |
| 8  | 1817021            | DISK-G&M INSERT-R/H                                 | 2          |
| 9  | 1817039            | INSTR-INSTALL-MERCH G&M                             | 1          |
| 10   | CR0008153          | SLIDE, CANDY TRAY                                   | 2          |

**THIS PAGE INTENTIONALLY LEFT BLANK**





**FIGURE 25: SNACK AND CANDY TRAY ASSEMBLY COMBO**



| <b>TABLE 25: SNACK AND CANDY TRAY ASSEMBLY COMBO</b> |                      |                      |  |            |            |
|--|----------------------|----------------------|--|------------|------------|
| <b>ITEM</b>  | <b>MODEL<br/>471</b> | <b>MODEL<br/>472</b> | <b>DESCRIPTION</b>   | <b>471</b> | <b>472</b> |
| 1  | PCR0005255           | PCR0005222           | SNACK TRAY ASSEMBLY(NO SPIRALS)  | ----       | ----       |
|  | PCR0005221           | PCR0005225           | CANDY TRAY ASSEMBLY(NO SPIRALS)  | ----       | ----       |
| 2  | CR0010650            | CR0014533            | ASSY, TRAY W/ROLLERS   | 1          | 1          |
| ----   | 1477097              | 1477097              | AXLE-TRAY ROLLER – PART OF #2  | 2          | 2          |
| ----   | 1477148              | 1477148              | ROLLER-TRAY – PART OF #2   | 2          | 2          |
| ----   | CR0010650            | CR0005286            | TRAY   | 1          | 1          |
| 3  | 1707062              | 1707062              | WALL-TRAY  | ----       | ----       |
| 4  | 1477113              | 1477113              | COUPLING-SPIRAL  | ----       | ----       |
| 5  | 1577038              | 1577038              | MOTOR & PC BOARD ASSEMBLY  | 4/8        | 6/12       |
| <b>NOTE: ITEM 6 BELOW USED BEFORE JUNE 2017</b>      |                      |                      |  |            |            |
| 6  | 1687017              | CR0004222            | HOLDER, PRICE & SELECTION  | 1          | 1          |
| <b>NOTE: ITEM 6A BELOW USED AFTER JUNE 2017</b>      |                      |                      |  |            |            |
| 6A   | CR0026334            | CR0026160            | RAIL, PRICE SNACK CMB  | 1          | 1          |
| 7  | 2222031              | 2222031              | TEE BOLT, TRIM   | 2          | 2          |
| 8  | 9900081              | 9900081              | NUT, #8-32 KEPS ZINC PLATE   | ----       | ----       |
| 9  | 1477020              | 1477020              | GEAR, TRAY   | 8          | 12         |
| 10   | 1477022              | 1477022              | BEARING-COUPLER  | 8          | 12         |
| 11   | 1687017              | CR0004222            | HOLDER, PRICE & SELECTION  | 1          | 1          |
| 12   | 9989821              | 9989821              | BUSHING, 0.512 DIAMETER  | 1          | 1          |
| 13   | CR0029413            | ----                 | HARNESS, 4 MOTOR COMBO   | 1          | ----       |
|  | CR0029412            | ----                 | HARNESS, 8 MOTOR COMBO   | 1          | ----       |
|  | ----                 | CR0029410            | HARNESS, 6 MOTOR COMBO   | ----       | 1          |
|  |                      | CR0029415            | HARNESS, 12 MOTOR COMBO  | ----       | 1          |
| <b>NOTE: ITEM 14 BELOW USED BEFORE JUNE 2017</b>     |                      |                      |  |            |            |
| 14   | CR0004697            | CR0004697            | LABEL, ITEM #'s-100's  | 1          | 1          |
|  | CR0005270            | CR0005270            | LABEL, ITEM #'s-200's  | 1          | 1          |
|  | CR0005271            | CR0005271            | LABEL, ITEM #'s-300's  | 1          | 1          |
|  | CR0005272            | CR0005272            | LABEL, ITEM #'s-400's  | 1          | 1          |
|  | CR0005273            | CR0005273            | LABEL, ITEM #'s-500's  | 1          | 1          |
|  | CR0005274            | CR0005274            | LABEL, ITEM #'s-600's  | 1          | 1          |
| <b>NOTE: ITEM 14A BELOW USED AFTER JUNE 2017</b>     |                      |                      |  |            |            |
| 14A  | 1817041              | 1817041              | LABEL, ITEM NUMBERS-100's  | 1          | 1          |
|  | 1817042              | 1817042              | LABEL, ITEM NUMBERS-200's  | 1          | 1          |
|  | 1817043              | 1817043              | LABEL, ITEM NUMBERS-300's  | 1          | 1          |
|  | 1817044              | 1817044              | LABEL, ITEM NUMBERS-400's  | 1          | 1          |
|  | 1817045              | 1817045              | LABEL, ITEM NUMBERS-500's  | 1          | 1          |
|  | 1817046              | 1817046              | LABEL, ITEM NUMBERS-600's  | 1          | 1          |
| 15   | CR0020893            | CR0020893            | SEAL,TRAY HARNES WR OPNG   | 1          | 1          |
|  |                      |                      | SPIRAL OPTIONS 28" DEEP MACHINE<br>MODELS 471/472<br>SEE TABLE 25 ON PAGE 54 |            |            |

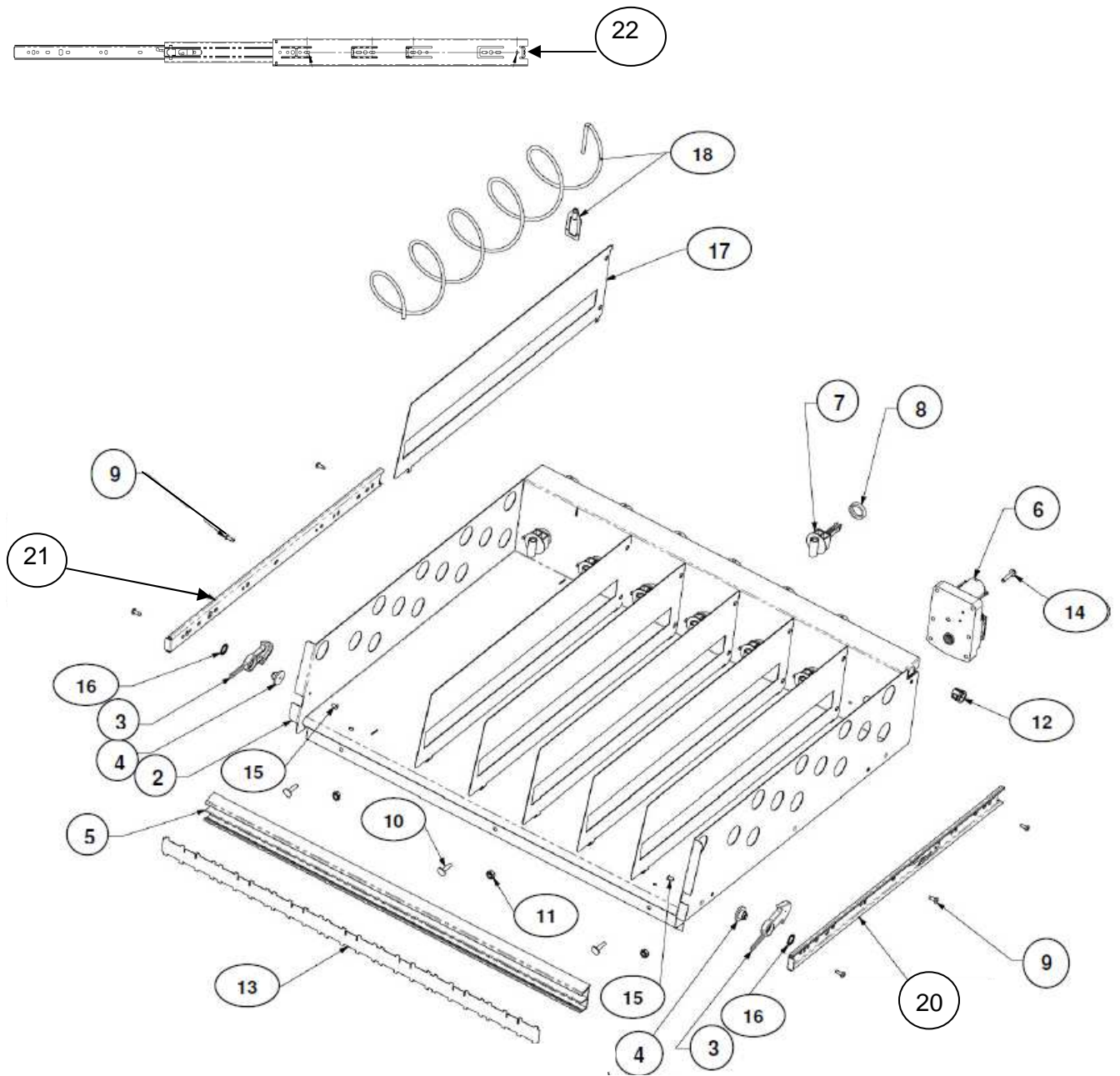
**TABLE 26: SPIRAL OPTIONS 35" DEEP MACHINE  
MODELS 186/187**

| ITEM COUNT | RETAINER COLOR | L/H ASSEMBLY | R/H ASSEMBLY | RETAINER | DIMENSION BETWEEN COILS |
|------------|----------------|--------------|--------------|----------|-------------------------|
| 5          | ORANGE         | 1677182      | 1677181      | 1467137  | 4.57"                   |
| 6          | PURPLE         | 1477103      | 1477105      | 1477107  | 3.78"                   |
| 9          | GRAY           | 1477152      | 1477149      | 1477155  | 2.46"                   |
| 11         | BLUE           | 1477023      | 1477026      | 1457061  | 1.98"                   |
| 13         | YELLOW         | 1477029      | 1477032      | 1457062  | 1.65"                   |
| 15         | RED            | 1477035      | 1477038      | 1457063  | 1.41"                   |
| 17         | BROWN          | 1477101      | 1477099      | 1477106  | 1.23"                   |
| 20         | WHITE          | 1477041      | 1477044      | 1457064  | 1.02"                   |
| 25         | GREEN          | 1477047      | 1477050      | 1457065  | .75"                    |
| 30         | BLACK          | 1477053      | 1477056      | 1477073  | .60"                    |
| 38         | ORANGE         | 1477059      | 1477062      | 1467137  | .44"                    |

**TABLE 26: SPIRAL OPTIONS 28" DEEP MACHINE  
MODELS 471/472**

| ITEM COUNT | RETAINER COLOR | L/H ASSEMBLY | R/H ASSEMBLY | RETAINER | DIMENSION BETWEEN COILS |
|------------|----------------|--------------|--------------|----------|-------------------------|
| 4          | GREEN          | 1707049      | 1707051      | 1457065  | 3.66"                   |
| 5          | TAN            | 1707045      | 1707047      | 4407817  | 2.90"                   |
| 6          | PURPLE         | 1707041      | 1707043      | 1477107  | 2.46"                   |
| 7          | BROWN          | 1707058      | 1707060      | 1477058  | 2.23"                   |
| 8          | GRAY           | 1707016      | 1707018      | 1477155  | 1.81"                   |
| 10         | BLUE           | 1707004      | 1707006      | 1457061  | 1.44"                   |
| 12         | YELLOW         | 1707008      | 1707010      | 1457062  | 1.18"                   |
| 14         | RED            | 1707008      | 1707014      | 1457063  | 1.00"                   |
| 18         | WHITE          | 1707020      | 1707022      | 1457064  | .75"                    |

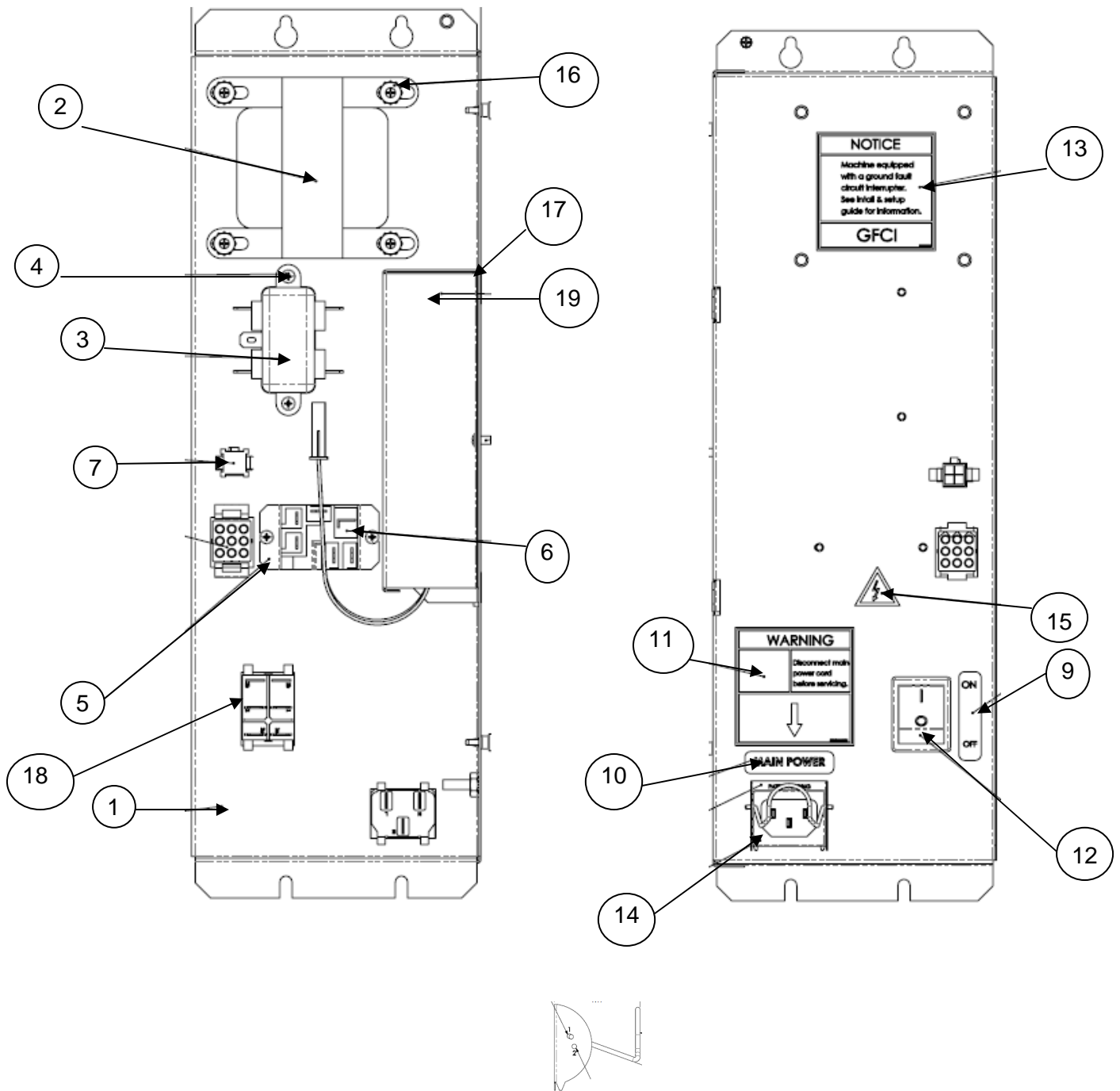
**THIS PAGE INTENTIONALLY LEFT BLANK**



**FIGURE 27: BOTTLE TRAY ASSEMBLY COMBO**

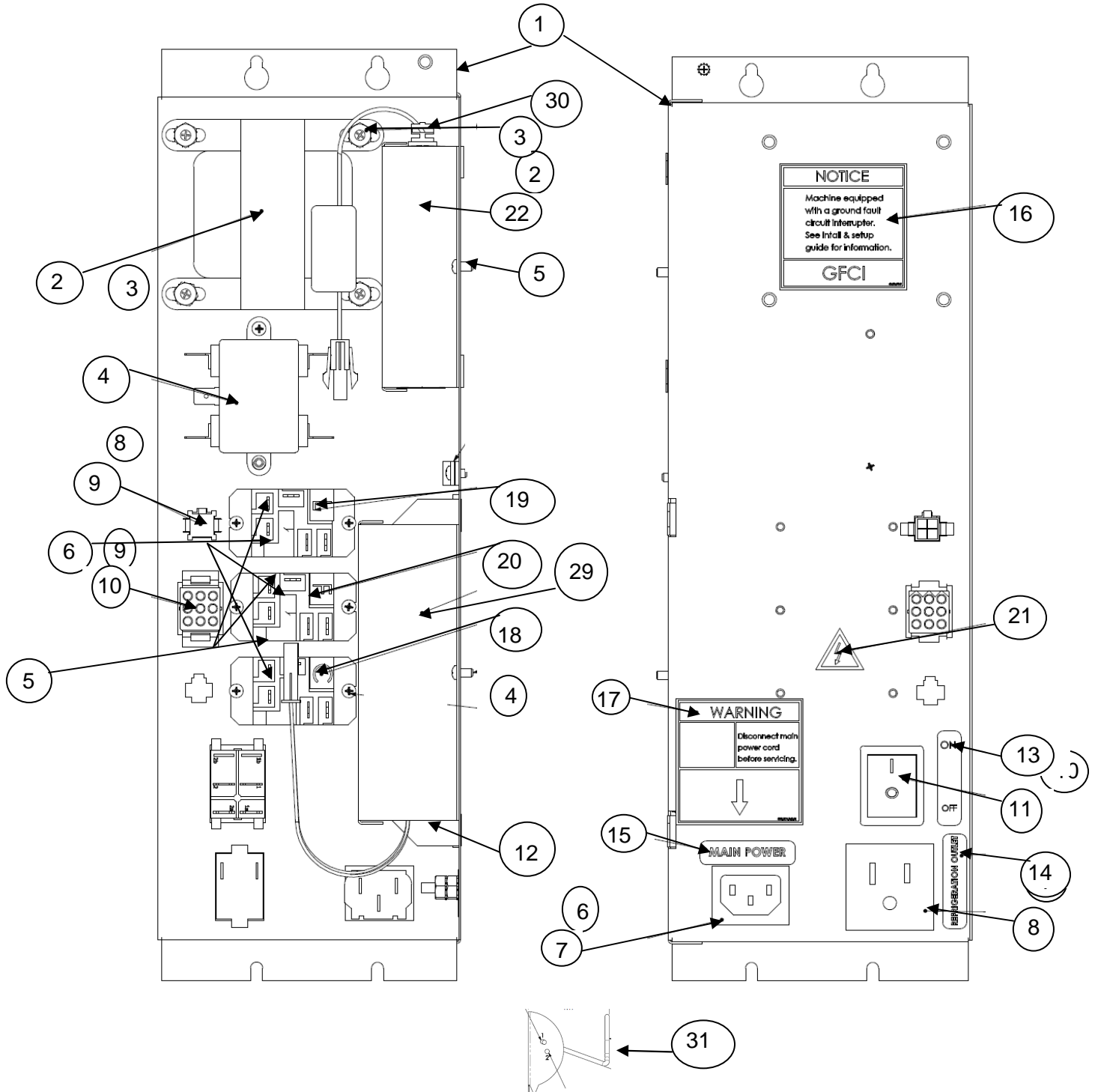
| <b>TABLE 27: BOTTLE TRAY ASSEMBLY COMBO</b> |                      |                      |                                 |            |            |
|---|----------------------|----------------------|---------------------------------|------------|------------|
| <b>ITEM</b>                                 | <b>MODEL<br/>471</b> | <b>MODEL<br/>472</b> | <b>DESCRIPTION</b>              | <b>471</b> | <b>472</b> |
| 1   | CR0007311            | CR0007412            | KIT, BOTTLE TRAY                | ----       | ----       |
| 2   | CR0014773            | CR0014770            | WELD ASSY, BOTTLE TRAY          | ----       | ----       |
| 3   | 1670031              | 1670031              | LATCH & RETAINER PACKAGE        | 2          | 2          |
| 4   | 7807004              | 7807004              | STUD-TRAY LATCH                 | 2          | 2          |
| 5   | CR0004570            | CR0004902            | RAIL, PRICE & SELECTION         | 1          | 1          |
| 6   | 1577038              | 1577038              | MOTOR & PC BOARD ASSEMBLY       | 7          | 10         |
| 7   | 1477113              | 1477113              | COUPLING-SPIRAL                 | 7          | 10         |
| 8   | 4407803              | 4407803              | SPACER-MOTOR                    | 7          | 10         |
| 9   | AP276-8R6            | AP276-8R6            | 8-32X3/8 PN/NIBS HD T23 BL      | 6          | 6          |
| 10  | 2222031              | 2222031              | TEE BOLT, TRIM                  | 3          | 3          |
| 11  | 9900081              | 9900081              | NUT, #8-32 KEPS ZINC PLATE      | ----       | ----       |
| 12  | 9989821              | 9989821              | BUSHING, 0.512 DIAMETER         | 1          | 1          |
| 13  | CR0007442            | CR0007440            | HOLDER, PRICE                   | 1          | 1          |
| 14  | 1457027              | 1457027              | SCREW,#8-32 X .81 HEX HD.       | 7          | 10         |
| 15  | 3502078              | 3502078              | RIVET, POP-.125 DIA X .265      | 2          | 2          |
| 16  | 5201267              | 5201267              | RETAINER, .312 PUSH ON          | 2          | 2          |
| 17  | PCR0014211           | PCR0014211           | A,DIVIDER & SPRNG TRAY RM/MER   | 6          | 9          |
| 18  | CR0006912            | CR0006912            | ASSY-4CT LH SPIRAL & BLK RET    | 7          | 10         |
| ----  | CR0009823            | CR0009823            | ASSY,5CT LH SPIRAL & TAN RET    | 7          | 10         |
| 19  | CR0029411            | CR0029414            | HARNESS-MOTOR BOTTLE(NOT SHOWN) | 1          | 1          |
| 20  | PCR0004459           | PCR0004459           | MTG BRKT+SLIDE ASM RT           | 1          | 1          |
| 21  | PCR0004458           | PCR0004458           | MTG BRKT+SLIDE ASM LT           | 1          | 1          |
| 22  | CR0004833            | CR0004833            | SLIDES, BOTTLE TRAY             | 2          | 2          |

| <b>TABLE 27A: DUAL SPIRAL CONVERSION PARTS</b> |                    |                               |            |
|--|--------------------|-------------------------------|------------|
| <b>ITEM</b>                                    | <b>PART NUMBER</b> | <b>DESCRIPTION</b>            | <b>QTY</b> |
| 1  | 1707051            | GRN-RH- 4 CT-SPL & RETNR ASSY | 1          |
| 2  | 1707049            | GRN-LH- 4 CT-SPL & RETNR ASSY | 1          |
| 3  | 1477156            | JUMPER ASSY-MOTOR REVERSE     | 1          |



**FIGURE 28: ASSY AC BOX AMB – 120VAC**

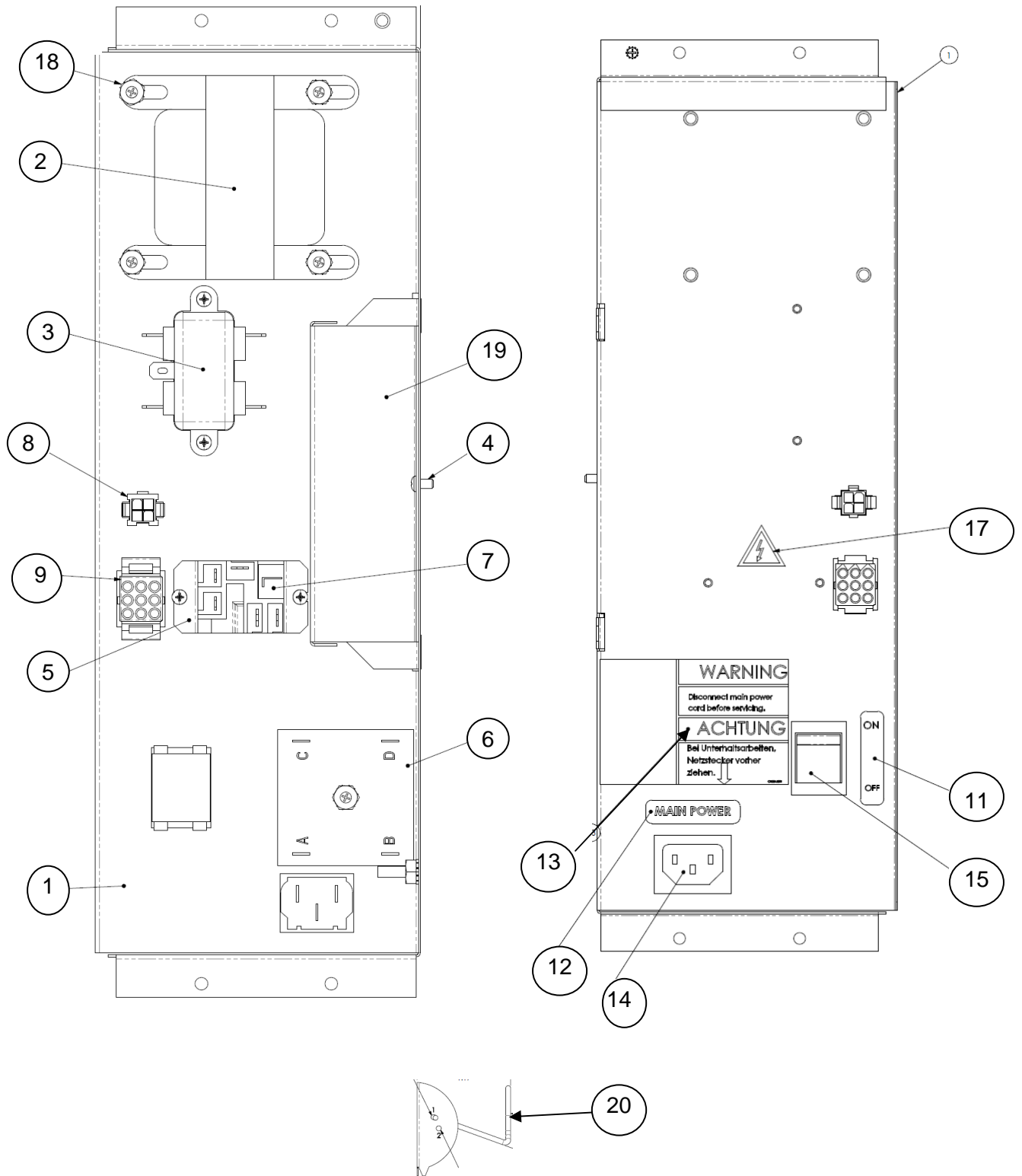
| <b>TABLE 28: ASSY AC BOX AMB – 120VAC</b> |                    |                                |            |
|---|--------------------|--------------------------------|------------|
| <b>ITEM</b>                               | <b>PART NUMBER</b> | <b>DESCRIPTION</b>             | <b>QTY</b> |
| ----                                      | PCR0014964         | ASSY AC BOX AMB GLOBAL DOM     | 1          |
| 1   | CR0014963          | ASSY PEM AC BOX AMB GLOBAL     | 1          |
| 2   | 80492517           | TRANSFRMR,60Hz CLASS2 LMTD DOM | 1          |
| 3   | AP380303           | FILTER-LIGHT                   | 1          |
| 4   | 80020248           | SCREW,R,#6-32x¼"PNHD THRDFRM   | 5          |
| 5   | 80420026           | RELAY, FAN COMPRESSOR & LIGHT  | 1          |
| 6   | CR0014602          | LBL, LIGHT RELAY               | 1          |
| 7   | CR0014582          | HARNESS, RELAY                 | 1          |
| 8   | CR0014592          | HARNESS, AC BOX AMB(NOT SHOWN) | 1          |
| 9   | 80387972           | LBL, ON/OFF ROCKER SWITCH      | 1          |
| 10  | 80386085           | LBL,R, MAIN POWER              | 1          |
| 11  | 80387694           | LBL,R, POWER DISCON AC BOX     | 1          |
| 12  | 9984642            | SWITCH, DPST, 20A, PNL MNT     | 1          |
| 13  | 80388542           | LBL,R, NOTICE, GFCI EQUIP MACH | 1          |
| 14  | 80491362           | PLUG, POWER INLET GFV          | 1          |
| 15  | 90382586021        | LBL,R, WARN HIGH VOLTAGE       | 1          |
| 16  | 9900081            | NUT, #8-32 KEPS ZINC PLATE     | 6          |
| 17  | CR0024980          | POWER SUPPLY, 24VDC, 72W MEGA  | 1          |
| 18  | 80492692           | CHOKE,R, CAP & MOV 120V        | 1          |
| 19  | CR0023392          | BRKT MOUNT LED PWR SUPPLY      | 1          |
| 20  | CR0027362          | CLIP,AC/PWR CORD RETENTN MEDIA | 1          |





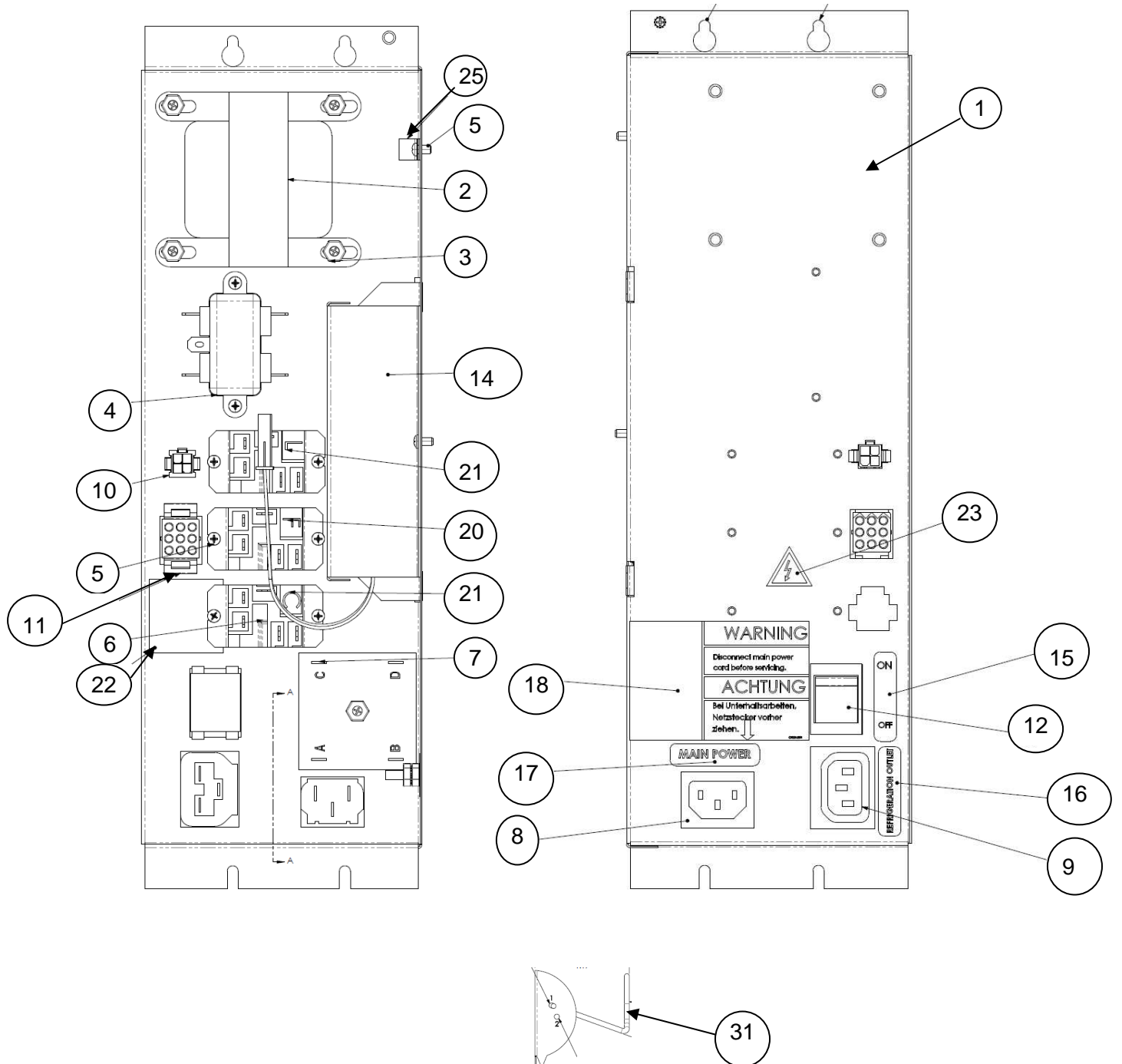
**FIGURE 29: ASSY AC BOX COMBO – 120VAC**

| <b>TABLE 29: ASSY AC BOX COMBO – 120VAC</b> |                    |  |            |
|---|--------------------|--|------------|
| <b>ITEM</b>                                 | <b>PART NUMBER</b> | <b>DESCRIPTION</b>                     | <b>QTY</b> |
| ----  | PCR0021100         | ASSY AC BOX GLOBAL COMBO DOM           | 1          |
| 1   | CR0021099          | ASSY, STUD AC BOX HEATD DOM MG         | 1          |
| 2   | 80493017           | TRANSFRMR,60Hz CLASS2 LMTD DOM         | 1          |
| 3   | 9900081            | NUT, #8-32 KEPS ZINC PLATE             | 6          |
| 4   | 9989100            | FILTER, INTERFERENCE                   | 1          |
| 5   | 80020248           | SCREW,R,#6-32x¼"PNHD THRDFRM           | 11         |
| 6   | 80420026           | RELAY, FAN COMPRESSOR & LIGHT          | 1          |
| 7   | 80491362           | PLUG, POWER INLET GFV                  | 1          |
| 8   | W662               | OUTLET, AC, PANEL MOUNT                | 1          |
| 9   | CR0014576          | HARNESS, RELAY                         | 1          |
| 10  | CR0014549          | HARNESS, AC BOX                        | 1          |
| 11  | 9984642            | SWITCH, DPST, 20A, PNL MNT             | 1          |
| 12  | CR0024980          | POWER SUPPLY, 24VDC, 72W MEGA          | 1          |
| 13  | 80387972           | LBL, ON/OFF ROCKER SWITCH              | 1          |
| 14  | 80386804           | LBL,R, REFR OUTLET                     | 1          |
| 15  | 80386085           | LBL,R, MAIN POWER                      | 1          |
| 16  | 80388542           | LBL,R, NOTICE, GFCI EQUIP              | 1          |
| 17  | 80387694           | LBL,R, POWER DISCON AC BOX             | 1          |
| 18  | CR0014601          | LBL, COMPRESSOR RELAY                  | 1          |
| 19  | CR0014602          | LBL, LIGHT RELAY                       | 1          |
| 20  | CR0014603          | LBL,FAN RELAY                          | 1          |
| 21  | 90382586           | LBL,R, WARN HIGH VOLTAGE               | 1          |
| 22  | CR0004946          | BRKT,MOUNTNG 24V PWR SUPPLY            | 1          |
| 23  | CR0020848          | HARNESS, C13 ADAPTER W/FLAG(NOT SHOWN) | 1          |
| 24  | CR0021174          | HRNSS, AC POWER IN(NOT SHOWN)          | 1          |
| 25  | 80491381           | JUMPER, PWR INLET GROUND(NOT SHOWN)    | 1          |
| 26  | 80491384           | GROUND,R,COMPRESSOR OUTLET(NOT SHOWN)  | 1          |
| 27  | 80491595           | JUMPER, 14 AWG 6in(NOT SHOWN)          | 2          |
| 28  | 80492876           | JUMPER,AC MAIN POWER WHITE(NOT SHOWN)  | 1          |
| 29  | CR0023392          | BRKT MOUNT LED PWR SUPPLY              | 1          |
| 30  | 80440147           | PWR SUPP,24VDC RED 1.5AMP 36W          | 1          |
| 31  | CR0027362          | CLIP,AC/PWR CORD RETENTN MEDIA         | 1          |



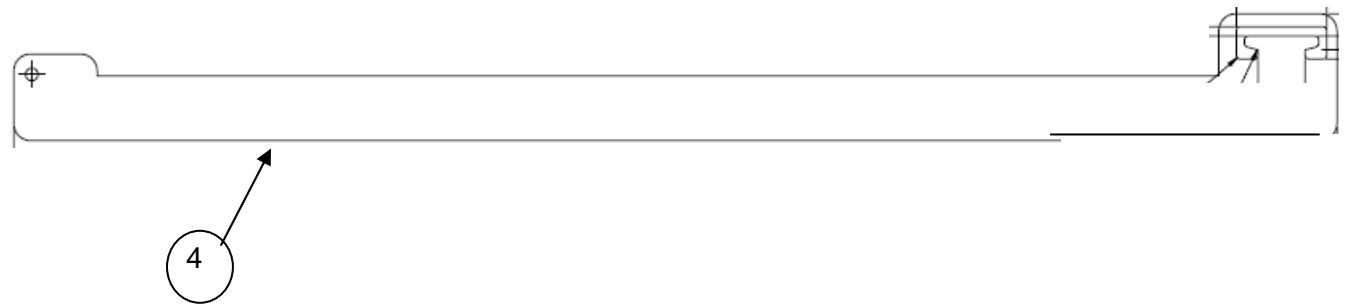
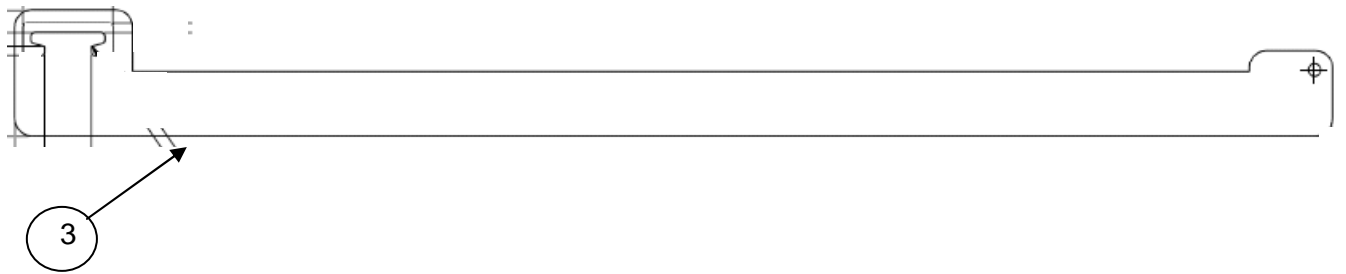
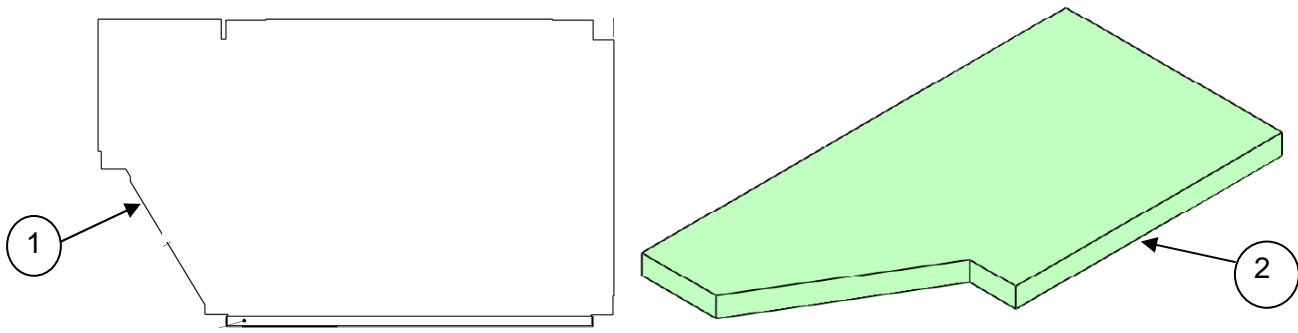
**FIGURE 30: ASSY AC BOX AMB – 230VAC**

| <b>TABLE 30: ASSY AC BOX AMBIENT – 230VAC</b> |                    |                                |            |
|---|--------------------|--------------------------------|------------|
| <b>ITEM</b>                                   | <b>PART NUMBER</b> | <b>DESCRIPTION</b>             | <b>QTY</b> |
| *   | PCR0018296         | ASSY AC BOX AMB EXP            | 1          |
| 1   | CR0016649          | ASSY,PEM,AC BOX EXP AMB        | 1          |
| 2   | 80492868           | TRANSFORMER,R, EXPOR           | 1          |
| 3   | AP380303           | FILTER-LIGHT                   | 1          |
| 4   | 80020248           | SCREW,R,#6-32x¼"PNHD THRD FRM  | 5          |
| 5   | 80420026           | RELAY, FAN COMPRESSOR & LIGHT  | 1          |
| 6   | 80492691           | CHOKE, CAP & MOV 240V          | 1          |
| 7   | CR0014602          | LBL, LIGHT RELAY               | 1          |
| 8   | CR0014582          | HARNESS, RELAY AMB             | 1          |
| 9   | CR0014592          | HARNESS, AC BOX AMB            | 1          |
| 10  | CR0024980          | POWER SUPPLY, 24VDC, 72W MEGA  | 1          |
| 11  | 80387972           | LBL, ON/OFF ROCKER SWITCH      | 1          |
| 12  | 80386085           | LBL,R, MAIN POWER              | 1          |
| 13  | CR0015321          | LBL,AC BOX POWER DIST GERMAN   | 1          |
| 14  | 80491362           | PLUG, POWER INLET              | 1          |
| 15  | 80410112           | SWITCH, ROCKER DPST GREEN      | 1          |
| 16  | CR0013971          | HARNESS,ADAPTER C13 W/FLAG     | 1          |
| 17  | 90382586021        | LBL,R, WARN HIGH VOLTAGE       | 1          |
| 18  | 9900081            | NUT, #8-32 KEPS ZINC PLATE     | 6          |
| 19  | CR0023392          | BRKT MOUNT LED PWR SUPPLY      | 1          |
| 20  | CR0027362          | CLIP,AC/PWR CORD RETENTN MEDIA | 1          |



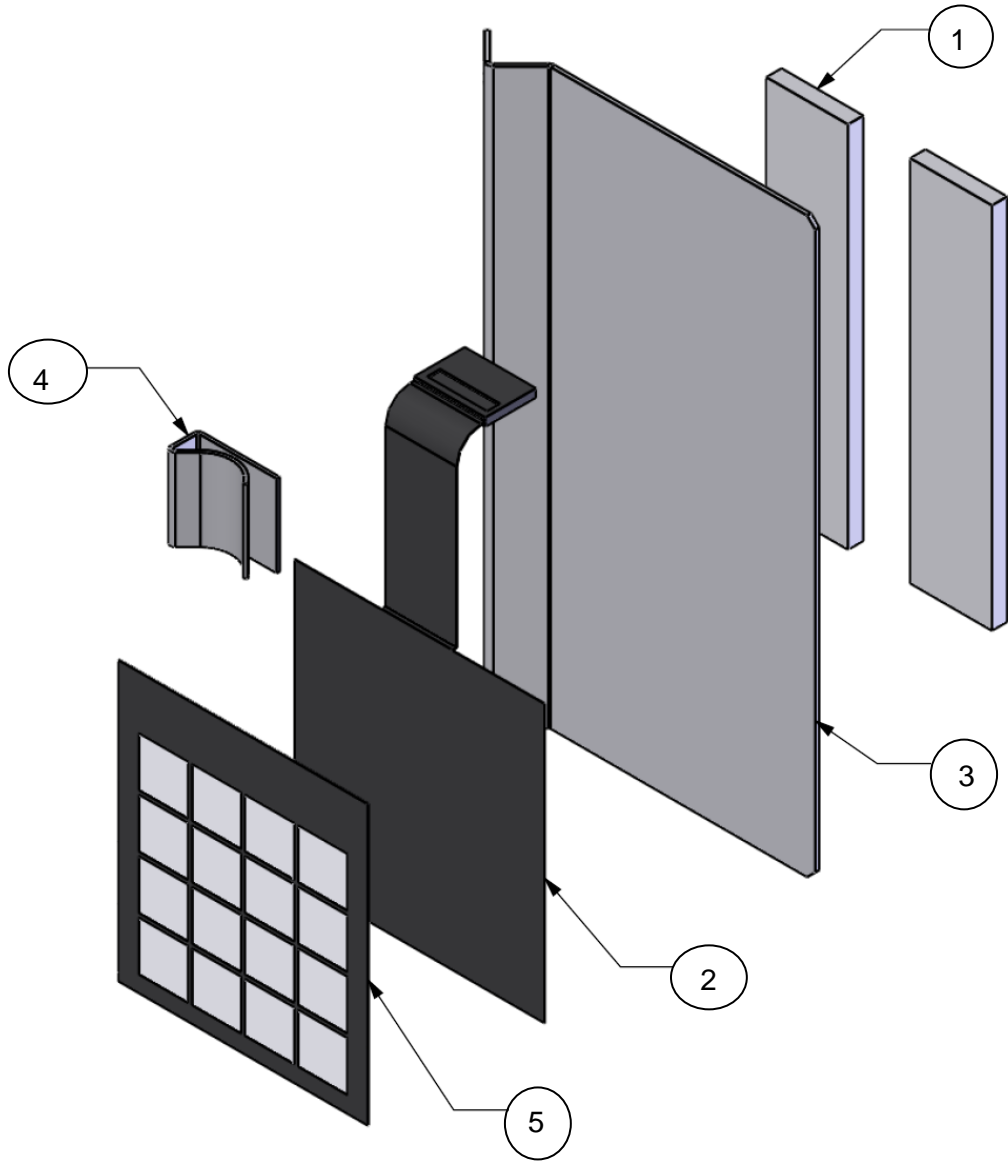
**FIGURE 31: ASSY AC BOX COMBO – 230VAC**

| <b>TABLE 31: ASSY AC BOX COMBO – 230VAC</b> |                    |                                |            |
|---|--------------------|--------------------------------|------------|
| <b>ITEM</b>                                 | <b>PART NUMBER</b> | <b>DESCRIPTION</b>             | <b>QTY</b> |
| *   | PCR0015282         | ASSY AC BOX GLOBAL CMB EXP     | 1          |
| 1   | CR0015238          | ASSY PEM AC BOX EX             | 1          |
| 2   | 80492868           | TRANSFORMER,R, EXPORT          | 1          |
| 3   | 80080154           | NUT,R, KEPS 8-32               | 7          |
| 4   | AP380303           | FILTER-LIGHT                   | 1          |
| 5   | 80020248           | SCREW,R,#6-32x¼"PNHD THRD FRM  | 10         |
| 6   | 80420026           | RELAY, FAN COMPRESSOR & LIGHT  | 3          |
| 7   | 80492691           | CHOKE, CAP & MOV 240V          | 1          |
| 8   | 80491362           | PLUG, POWER INLET              | 1          |
| 9   | 80491114           | RECEPTACLE, PNL MNT IEC 320    | 1          |
| 10  | CR0014576          | HARNESS, RELAY                 | 1          |
| 11  | 80492058           | HARN,R,PWR DISTRIB             | 1          |
| 12  | 80410112           | SWITCH, ROCKER DPST GREEN      | 1          |
| 13  | CR0024980          | POWER SUPPLY, 24VDC, 72W MEGA  | 1          |
| 14  | CR0023392          | BRKT MOUNT LED PWR SUPPLY      | 1          |
| 15  | 80387972           | LBL, ON/OFF ROCKER SWITC       | 1          |
| 16  | 80386804           | LBL,R, REFR OUTLET             | 1          |
| 17  | 80386085           | LBL,R, MAIN POWER              | 1          |
| 18  | CR0015321          | LBL,AC BOX POWER DIST GERMAN   | 1          |
| 19  | CR0014601          | LBL, COMPRESSOR RELAY          | 1          |
| 20  | CR0014603          | LBL,FAN RELAY                  | 1          |
| 21  | CR0014603          | LBL,FAN RELAY                  | 1          |
| 22  | CR0019959          | AC BOX GLOBAL OPENING COVER    | 1          |
| 23  | 90382586           | LBL,R, WARN HIGH VOLTAGE       | 1          |
| 24  | 90382661           | LBL, GROUND                    | 1          |
| 25  | 80090251           | CLAMP,R,P NYLON CABLE 5/16"WHT | 1          |
| 26  | CR0013971          | HARNESS,ADAPTER C13 W/FLAG     | 1          |
| 27  | 80492843           | HARNESS,R, AC BOX PWR I        | 1          |
| 28  | 80491381           | JUMPER,R, PWR INLET GROUND     | 2          |
| 29  | 80491595           | JUMPER,R, 14 AWG 6in           | 2          |
| 30  | 80492876           | JUMPER,AC MAIN POWER WHITE     | 1          |
| 31  | CR0027362          | CLIP,AC/PWR CORD RETENTN MEDIA | 1          |



**FIGURE 32: ZONE BARRIER COMBO**

| <b>TABLE 32: ZONE BARRIER COMBO</b> |                      |                      |                           |            |
|-------------------------------------|----------------------|----------------------|---------------------------|------------|
| <b>ITEM</b>                         | <b>MODEL<br/>471</b> | <b>MODEL<br/>472</b> | <b>DESCRIPTION</b>        | <b>QTY</b> |
| 1                                   | PCR0004735           | PCR0004832           | ASSEMBLY BARRIER          | 1          |
| 2                                   | CR0004880            | CR0004880            | SEAL, HORIZ BARRIER       | 1          |
| 3                                   | CR0004389            | CR0004389            | BRKT, INSULATED SHELF LT  | 1          |
| 4                                   | CR0004407            | CR0004407            | BRKT, INSULATED SHELF RT  | 1          |
| *                                   | CR0007421            |                      | KIT, 4W DUAL ZONE BARRIER | *          |
| *                                   |                      | CR0007422            | KIT, 6W DUAL ZONE BARRIER | *          |

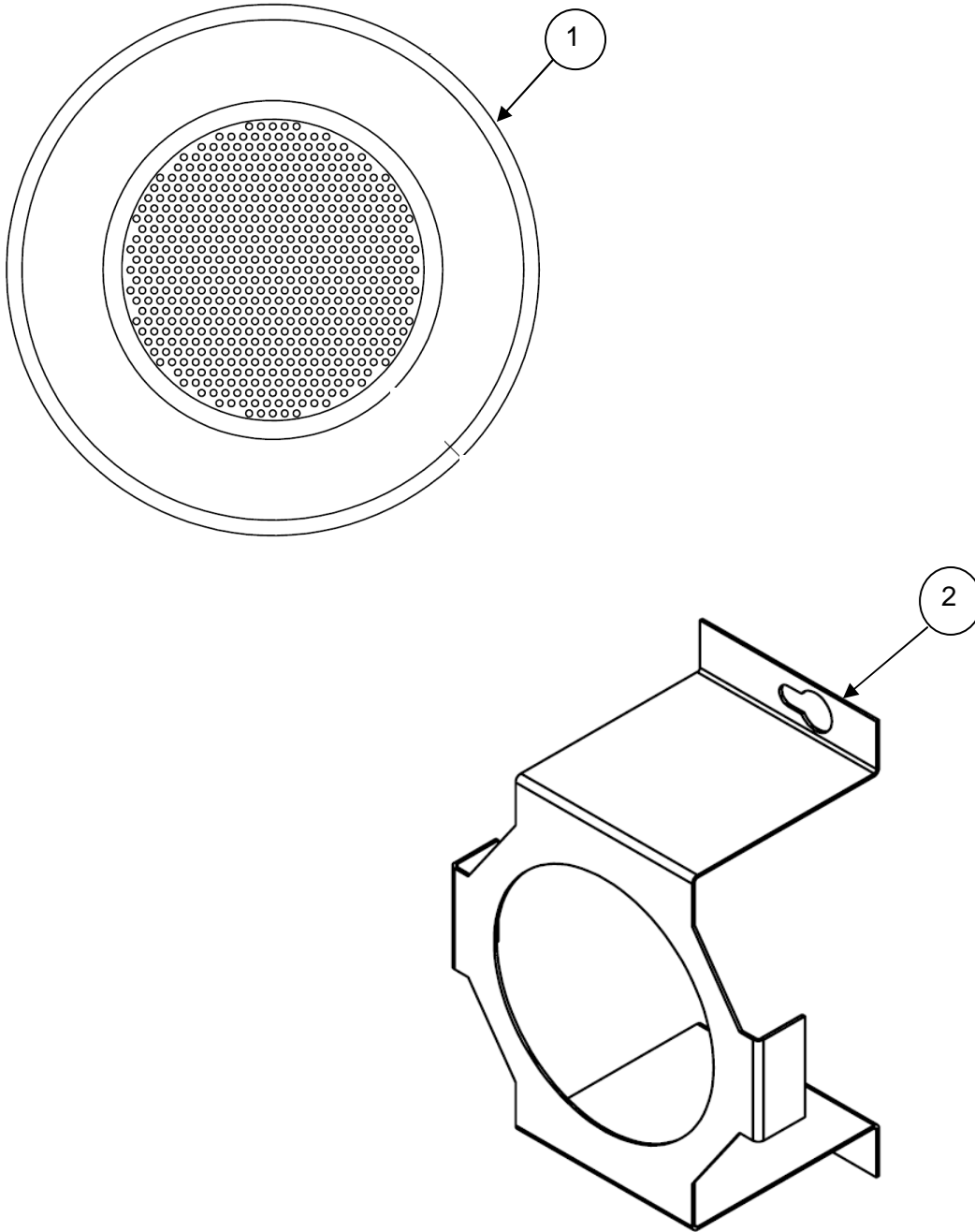


**FIGURE 33: ASSY, MEDIA INTERNAL KEYPAD - OPTIONAL**



**TABLE 33: ASSY, MEDIA INTERNAL KEYPAD**

| <b>ITEM</b> | <b>PART NUMBER</b> | <b>DESCRIPTION</b>                  | <b>QTY</b> |
|-------------|--------------------|-------------------------------------|------------|
| *           | PCR0020665         | ASSY, MEDIA INTERNAL KEYPAD         |            |
| 1           | 3122056            | MAGNET,RETAINR                      | 2          |
| 2           | 7215025            | MEMBRANE SWITCH ASSY-PROGRAM        | 1          |
| 3           | CR0020666          | BKT, MEDIA INTERNAL KEYPAD          | 1          |
| 4           | 4302166            | CABLE CLIP                          | 1          |
| 5           | CR0020726          | LABEL, MEDIA SERVICE KEYPAD         | 1          |
| 6           | CR0020536          | HARNESS, SERVICE KEYPAD (NOT SHOWN) | 1          |



**FIGURE 34: MEDIA TALKER SPEAKER AND BRACKET ASSY - OPTIONAL**

**TABLE 34: MEDIA TALKER SPEAKER AND BRACKET ASSY**

| <b>ITEM</b> | <b>PART NUMBER</b> | <b>DESCRIPTION</b>   | <b>QTY</b> |
|-------------|--------------------|----------------------|------------|
| 1           | CR0021041          | SPEAKER, USB 3.5"    | 1          |
| 2           | CR0021043          | SPEAKER BRACKER 3.5" | 1          |