

Repair Parts List

MODEL NUMBER

ALD10T

MANUFACTURING
NUMBER

P1331002M

COMMERCIAL MICROWAVE

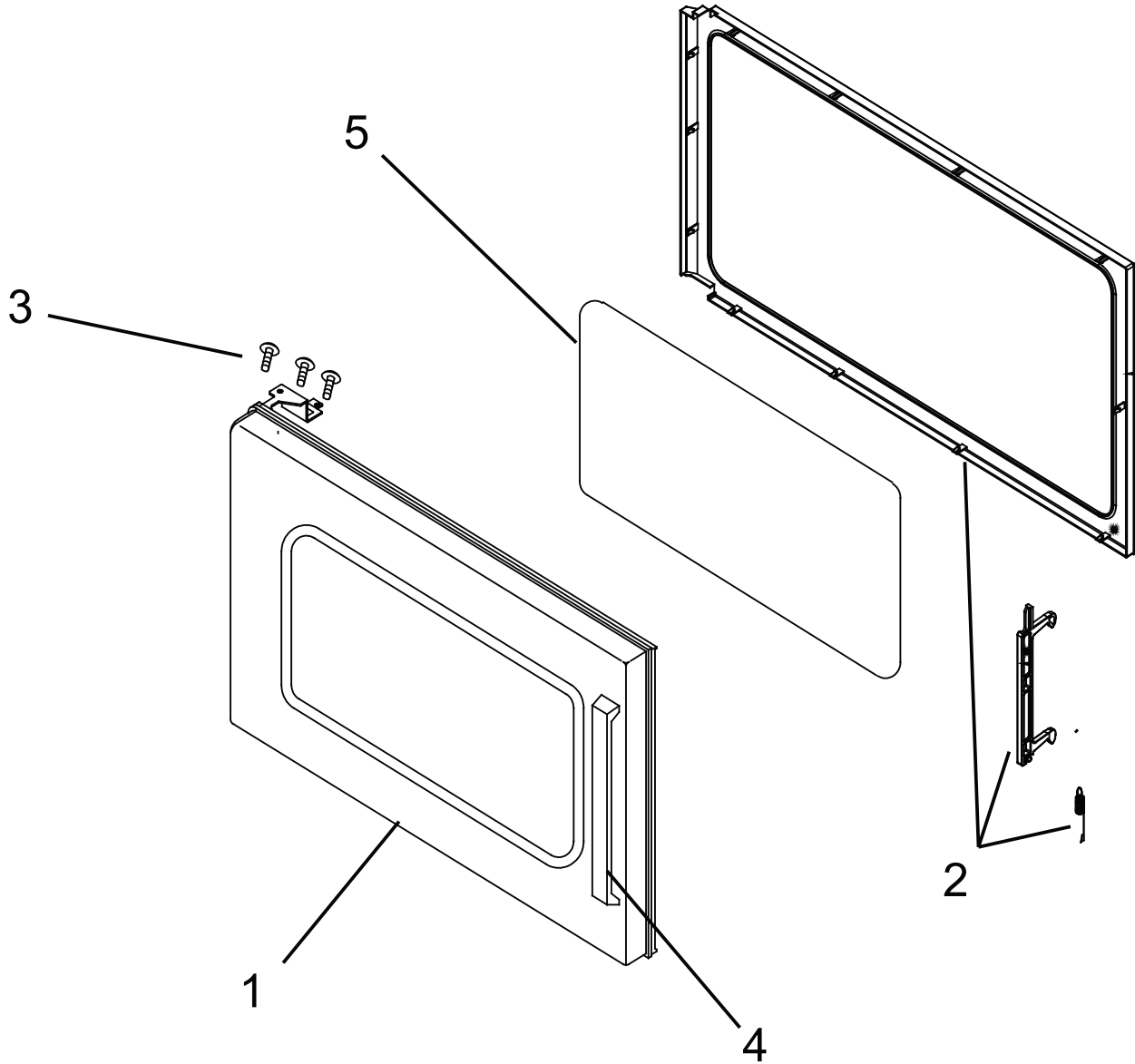
When requesting service or ordering parts, always provide the following information:

- Product Type
- Part Number
- Model Number
- Part Description



Section: DOOR

Model: ALD10T_P1331002M

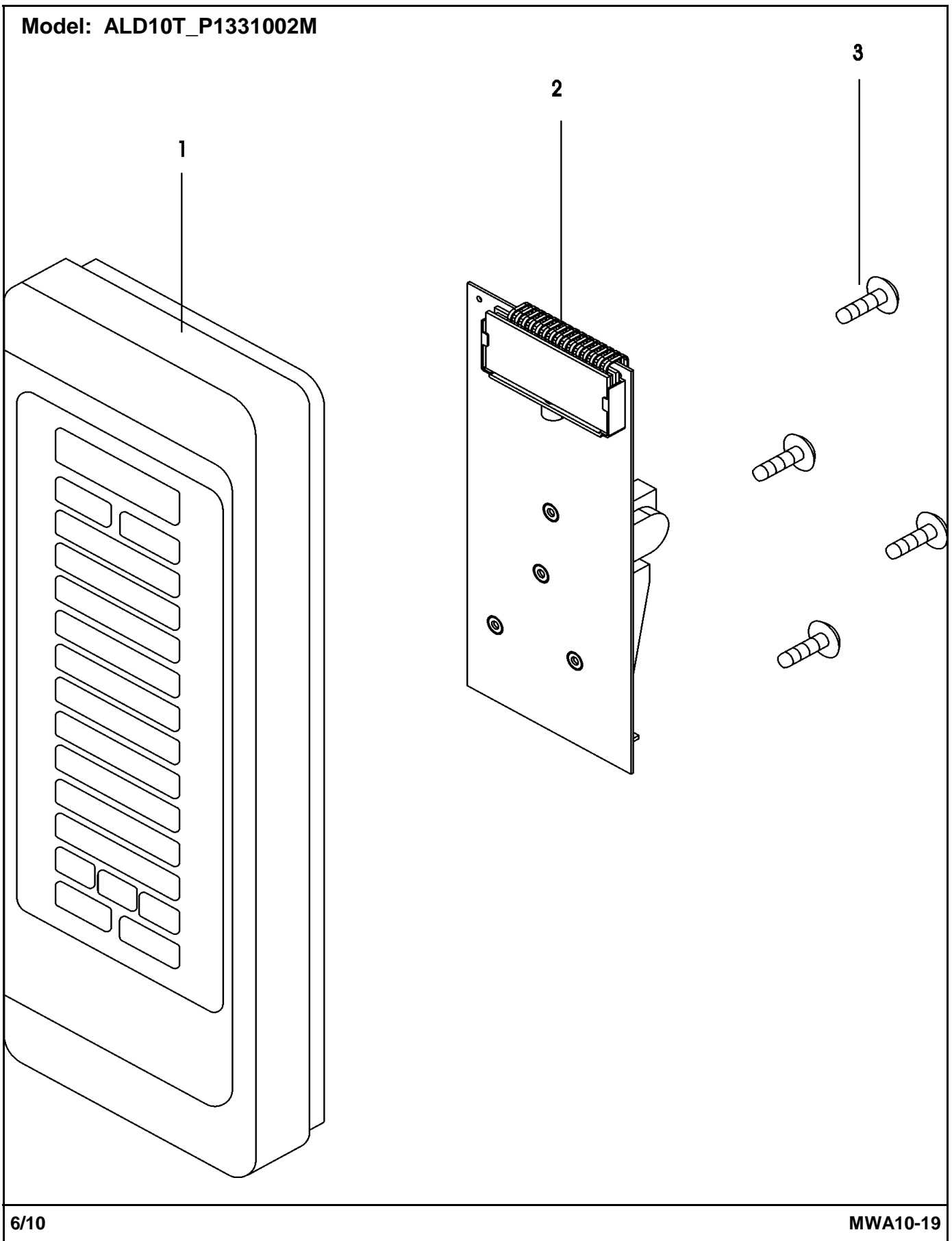


Section: DOOR

No.	Part No.	Description	Series Qty
1	56002008	DOOR ASSY	1
2	12002624	SPRING/LATCH/CHOKE COVER KIT	1
3	56001217	SCREW	3
4	12002870	KIT, DOOR HANDLE	1
5	56001406	WINDOW, INNER	1

Section: CONTROL PANEL

Model: ALD10T_P1331002M

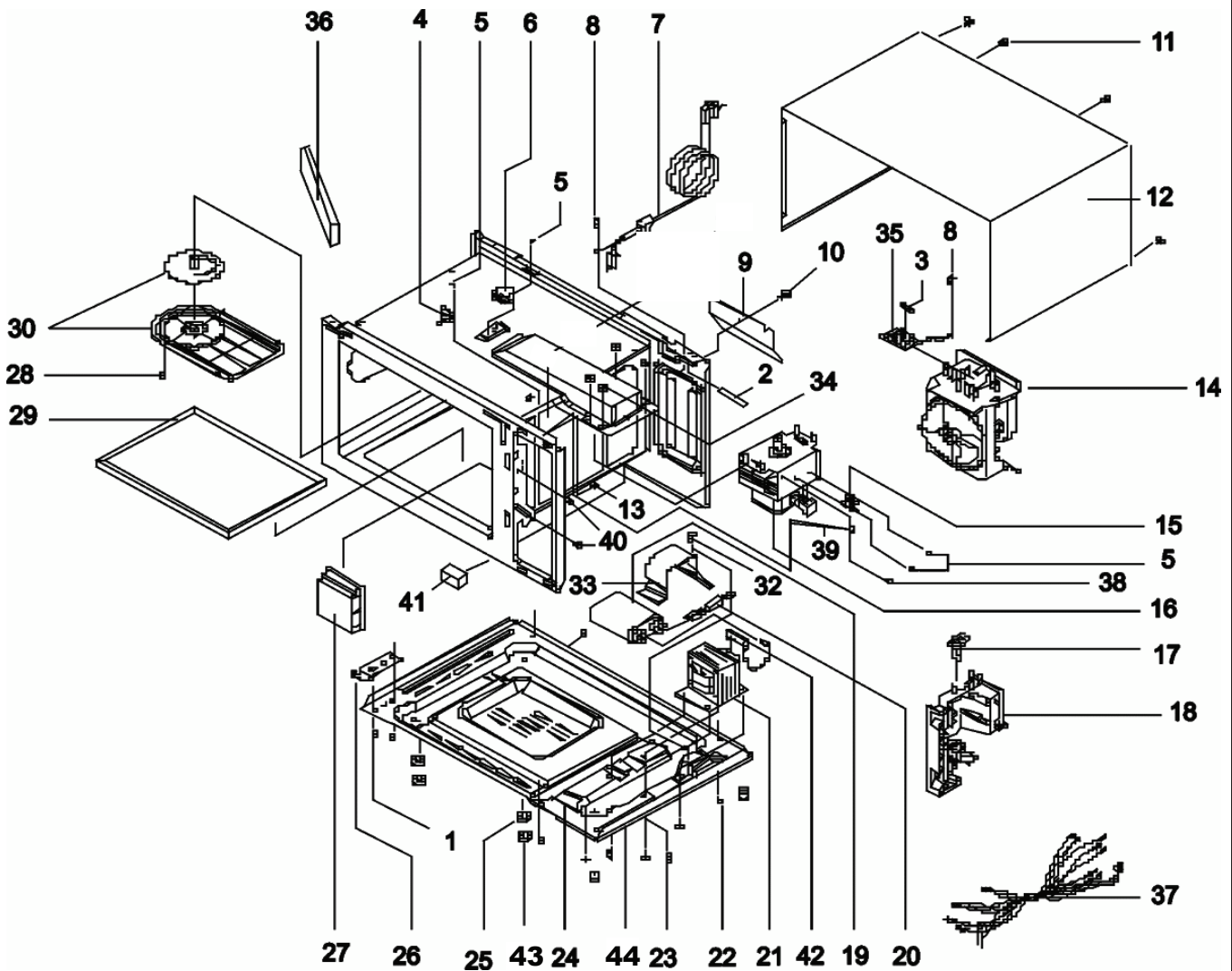


Section: CONTROL PANEL

No.	Part No.	Description	Series Qty
1	56001455	TOUCH PANEL ASSEMBLY	1
2	56001414	HV/LV BOARD	1
3	56001210	SCREW	4

Section: ELECTRICAL COMPONENTS

Model: ALD10T_P1331002M



Section: ELECTRICAL COMPONENTS

No.	Part No.	Description	Series Qty
1	56001217	SCREW	1
2	56001451	FOAM	1
3	56001353	FUSE, 20 A.	1
4	56001426	THERMAL CUT-OUT, CAVITY	1
5	56001230	SCREW	3
6	56002013	MOTOR, STIRRER	
7	56001454	POWERCORD	1
8	56001217	SCREW	2
9	56001428	AIR DEFLECTOR- REAR	1
10	56001210	SCREW	1
11	56001151	SCREW	4
12	56001429	WRAPPER	1
13	56001210	SCREW	1
14	56002020	BLOWER MOTOR ASSY	
15	56001432	THERMAL CUT-OUT, MAG	1
16	56002004	MAGNETRON	
17	56001034	BULB/ SOCKET ASSY	1
18	56002003	INTERLOCK SWITCH ASSEMBLY	
19	56002017	CAPACITOR- 1.05 MF	
20	56001436	DIODE HV	1
21	56002006	TRANSFORMER HV	
22	56001151	SCREW	7
23	56001222	SCREW	4
24	56001438	BASE	1
25	56001456	FOOT, BASE	4
26	56001439	HINGE, LOWER	1
27	56001440	AIR GUIDE	1
28	56001450	RIVET ASSY	1
29	56002041	TRAY ASSY	
30	12002625	COVER/STIRRER BLADE-KIT/RIVETS	1
31	56001449	FOAM	1
32	56001217	SCREW	1
33	56001218	HOLDER, CAPACITOR	1
34	56001051	NUT, HINGE	4
35	56002005	FUSE BLOCK / FILTER ASSY	
36	56001445	FOAM UPPER	1
37	56001446	HARNESS MAIN	1
38	56001151	SCREW	1
39	56001447	SUPPORTER WIRE	1
40	56001448	SCREW	2
41	56001473	FOAM	1
42	56001474	FUSE, HV	1
43	56001482	FOOT COVER	4
44	56001448	SCREW	1

Section: SUPPLEMENTAL INFORMATION

No.	Part No.	Description	Series Qty
1	16025638	SVR MAN, COMM MICROWAVE	1
2	N 16025640	TECH SHT, COMM MICRO ELECTR	1

Section: WIRING INFORMATION

Model: ALD10T_P1331002M

