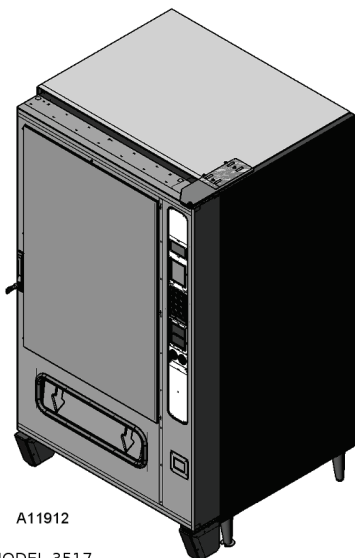


ST/VT (VERSION II)

VARIABLE TEMP GLASSFRONT VENDOR

MODEL - 3517•3518•3520•3521

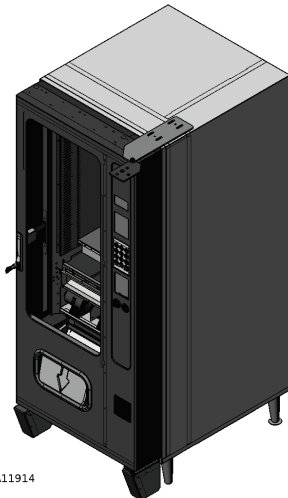
PARTS MANUAL



A11912
MODEL 3517



A11913
MODEL 3518



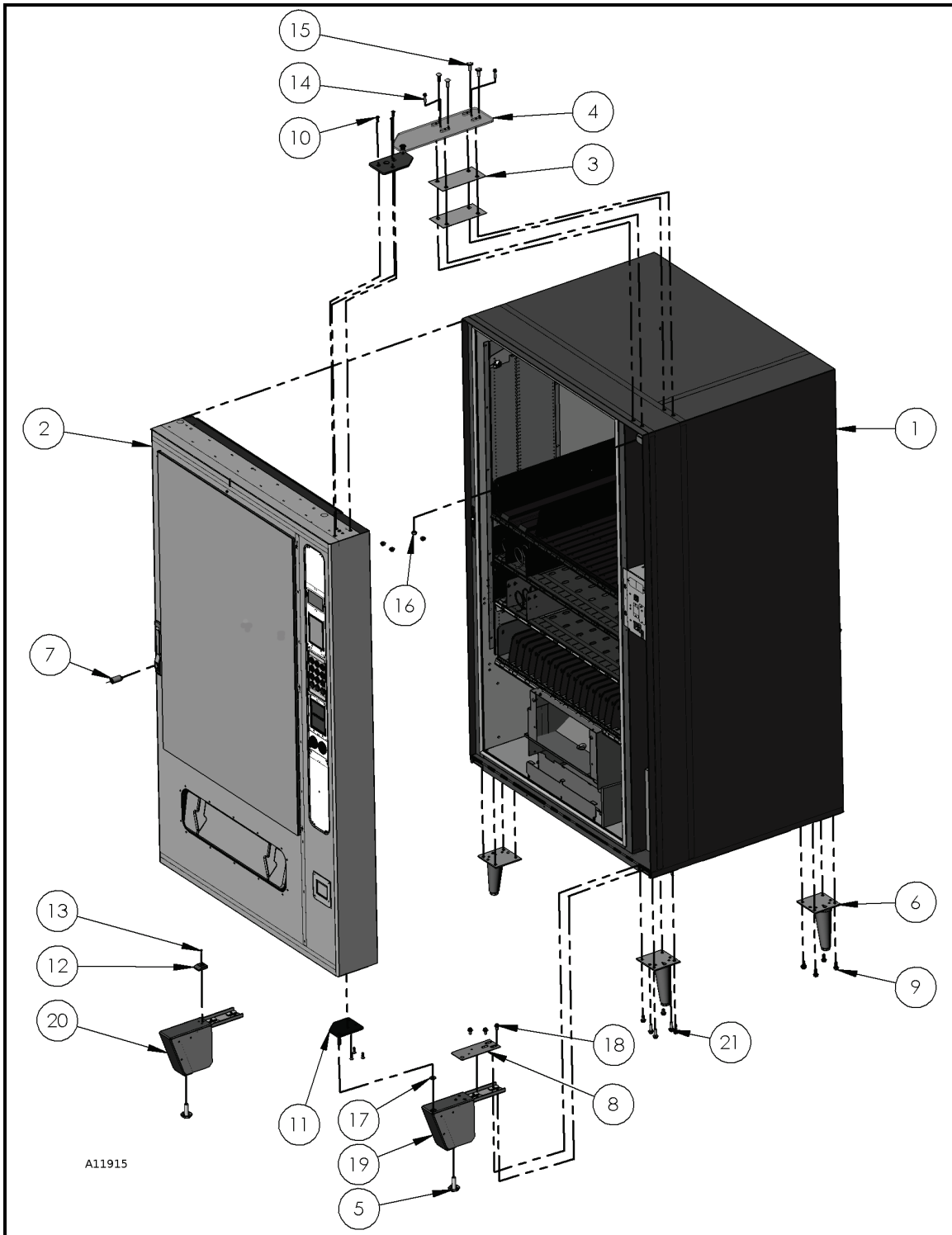
A11914
MODEL 3520,3521

VendNet™
165 North 10th Street
Waukee, IOWA 50263-0488
United States of America

TABLE OF CONTENTS

FINAL ASSEMBLY (3517, 3518, 3520)	1
<i>FINAL ASSEMBLY PARTS LIST (3517, 3518, 3520)</i>	2
FINAL ASSEMBLY (3521)	3
<i>FINAL ASSEMBLY PARTS LIST (3521)</i>	4
DOOR ASSEMBLY	5
<i>DOOR ASSEMBLY PARTS LIST</i>	7
DELIVERY BOX ASSEMBLY	10
<i>DELIVERY BOX ASSEMBLY PARTS LIST</i>	11
DELIVERY DOOR ASSEMBLY	12
<i>DELIVERY DOOR FOAM ASSEMBLY PARTS LIST</i>	12
TOP LED ASSEMBLY (3517, 3518, 3521 ONLY)	13
<i>TOP LED ASSEMBLY PARTS LIST</i>	13
SIDE LED ASSEMBLY	14
<i>SIDE LED ASSEMBLY PARTS LIST</i>	14
COIN CUP ASSEMBLY (3518 OUTDOOR ONLY)	15
<i>COIN CUP ASSEMBLY PARTS LIST (OPTIONAL)</i>	15
CABINET ASSEMBLY	16
<i>CABINET ASSEMBLY PARTS LIST</i>	16
PLASTIC TRAY ASSEMBLY (5W) – (3517, 3518, 3521)	19
<i>PLASTIC TRAY ASSEMBLY PARTS LIST</i>	19
3W PLASTIC TRAY ASSEMBLY (3520)	21
<i>3W PLASTIC TRAY ASSEMBLY PARTS LIST</i>	22
CAN & BOTTLE TRAY ASSEMBLY	23
<i>CAN & BOTTLE TRAY ASSEMBLY PARTS LIST</i>	23
HIGH CAPACITY CAN TRAY (HCCT) ASSEMBLY (3518, 3520)	25
<i>HCC TRAY ASSEMBLY PARTS LIST (OPTIONAL)</i>	25
POWER ASSEMBLY	27
<i>POWER ASSEMBLY PART LIST</i>	27
REFRIGERATION MODULE ASSEMBLY (110V & 220V)	29
<i>REFRIGERATION MODULE PARTS LIST</i>	29
REFRIGERATION BASE ASSEMBLY (110V & 220V)	31
<i>REFRIGERATION BASE ASSEMBLY PARTS LIST</i>	32
CONDENSER FAN ASSEMBLY (110V & 220V)	33
<i>CONDENSER FAN ASSEMBLY PARTS LIST</i>	33
GLASS PROTECTOR ASSEMBLY (3521)	34
<i>GLASS PROTECTOR ASSEMBLY PARTS LIST (OPTIONAL)</i>	34
INSULATION BARRIER ASSEMBLY (3518)	35
<i>INSULATION BARRIER ASSEMBLY PARTS</i>	35
SELECTOR PANEL COVER ASSEMBLY (3521)	36
<i>SELECTOR PANEL COVER ASSEMBLY PARTS LIST (OPTIONAL)</i>	36
OPTIONAL SPIRALS	37
OPTIONAL PRICE SCROLLS	38

FINAL ASSEMBLY (3517, 3518, 3520)



* SPECIFY COLOR
AR AS REQUIRED

† SPECIFY VOLTAGE/ HEATED/UN-HEATED
‡ SPECIFY SOFTWARE VERSION

FINAL ASSEMBLY PARTS LIST (3517, 3518, 3520)

ITEM NO.	PART NUMBER	3517	3518	3520	DESCRIPTION
1	SEE PAGE # 16	1	1	-	CABINET ASSEMBLY (5W)
		-	-	1	CABINET ASSEMBLY (3W)
2	SEE PAGE # 5	1	1	1	DOOR ASSEMBLY
3	4214306	2	2	2	TOP HINGE SHIM
4	* 1216660	1	1	1	TOP HINGE WELD ASSEMBLY
5	4212842	2	2	2	1/2-13X1-1/2 LEG LEVELER
6	1214704.001	4	4	4	LEG ASSEMBLY
7	4060330	1	1	1	LOCK
8	4218599.000330	1	1	1	BOTTOM HINGE PLATE
9	8801388	12	12	12	5/16-18 x 3/4 HWH TYPE-1
10	4212089	6	6	6	1/4-20 x 3/4 COUNTERSUNK HEADCAP SCREW
11	* 1217994	1	1	1	BOTTOM HINGE STAKE ASSEMBLY
12	4025610	1	1	1	DOOR GLIDE
13	8800636	1	1	1	8- 18 X 1/2 PHIL PH TYPE
14	4215175	4	4	4	12-18 X 1 HWH TEK
15	8810013	4	4	4	5/16-18 X 1 CARR. BOLT
16	8810015	4	4	4	5/16-18 FLANGE LK NUT
17	4219752	2	2	2	0.394 FLAT WASHER NYLON BL
18	4218853	3	3	3	5/16-18 X1/2 HWH TYPE
19	1218308.000330	1	1	1	LEG MOUNT WELD
20	1218308.001330	1	1	1	LEG MOUNT WELD
21	4201385	8	8	8	5/16 – 18 X 1" THREAD ROLLER

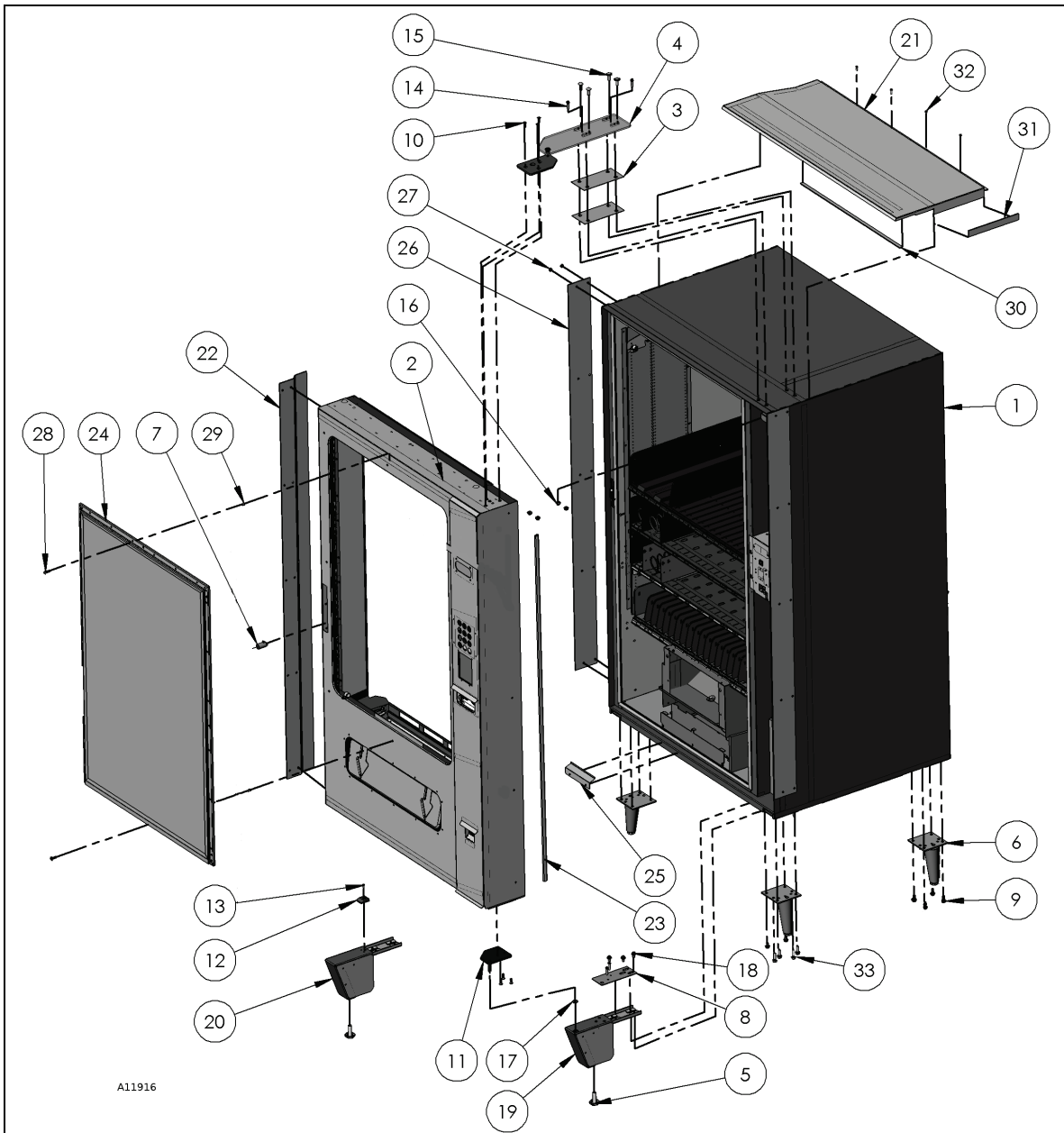
LIST OF PARTS NOT SHOWN

22	4216016	1	1	1	GFCI POWER CORD
----	---------	---	---	---	-----------------

* SPECIFY COLOR
AR AS REQUIRED

† SPECIFY VOLTAGE/ HEATED/UN-HEATED
†† SPECIFY SOFTWARE VERSION

FINAL ASSEMBLY (3521)



A11916

* SPECIFY COLOR
AR AS REQUIRED

† SPECIFY VOLTAGE/ HEATED/UN-HEATED
†† SPECIFY SOFTWARE VERSION

FINAL ASSEMBLY PARTS LIST (3521)

ITEM NO.	PART NUMBER	3521	DESCRIPTION
1	SEE PAGE # 16	1	CABINET ASSEMBLY (5W)
2	SEE PAGE # 5	1	DOOR ASSEMBLY
3	4214306	2	TOP HINGE SHIM
4	* 1216660	1	TOP HINGE WELD ASSEMBLY
5	4212842	2	1/2-13X1-1/2 LEG LEVELER
6	1214704.001	4	LEG ASSEMBLY
7	4060330	1	LOCK
8	4218599.000330	1	BOTTOM HINGE PLATE
9	8801388	20	5/16-18 x 3/4 HWH TYPE-1
10	4212089	6	1/4-20 x 3/4 COUNTERSUNK HEADCAP SCREW
11	* 1217994	1	BOTTOM HINGE STAKE ASSEMBLY
12	4025610	1	DOOR GLIDE
13	8800636	1	8- 18 X 1/2 PHIL PH TYPE
14	4215175	4	12-18 X 1 HWH TEK
15	8810013	4	5/16-18 X 1 CARR. BOLT
16	8810015	4	5/16-18 FLANGE LK NUT
17	4219752	2	0.394 FLAT WASHER NYLON BL
18	4218853	3	5/16-18 X1/2 HWH TYPE
19	1218308.000330	1	LEG MOUNT WELD
20	1218308.001330	1	LEG MOUNT WELD
21	* 1217174	1	TOP RAIN GUARD WELD
22	* 4215733	1	LATCH SIDE ANTI CHEAT
23	4213532	AR	D GASKET
24	SEE PAGE # 34	1	GLASS PROTECTOR ASSEMBLY
25	4215771	1	WATER DEFLECTOR
26	* 4215736	1	CABINET BRACE
27	4210421.002	30	1/4 " RIVET BLK
28	4215382	8	10-24 X 3/4 SS PINNED TORX
29	4215383	8	10-24 NUT INSERT
30	4215119	AR	1/8 X 1/2 FOAM TAPE
31	4215119.001	AR	1/8 X 1 FOAM TAPE
32	4050202.001	4	8-18X1/2 PHIL HWH TEK/BLK
33	4201385	8	5/16 – 18 X 1" THREAD ROLLER

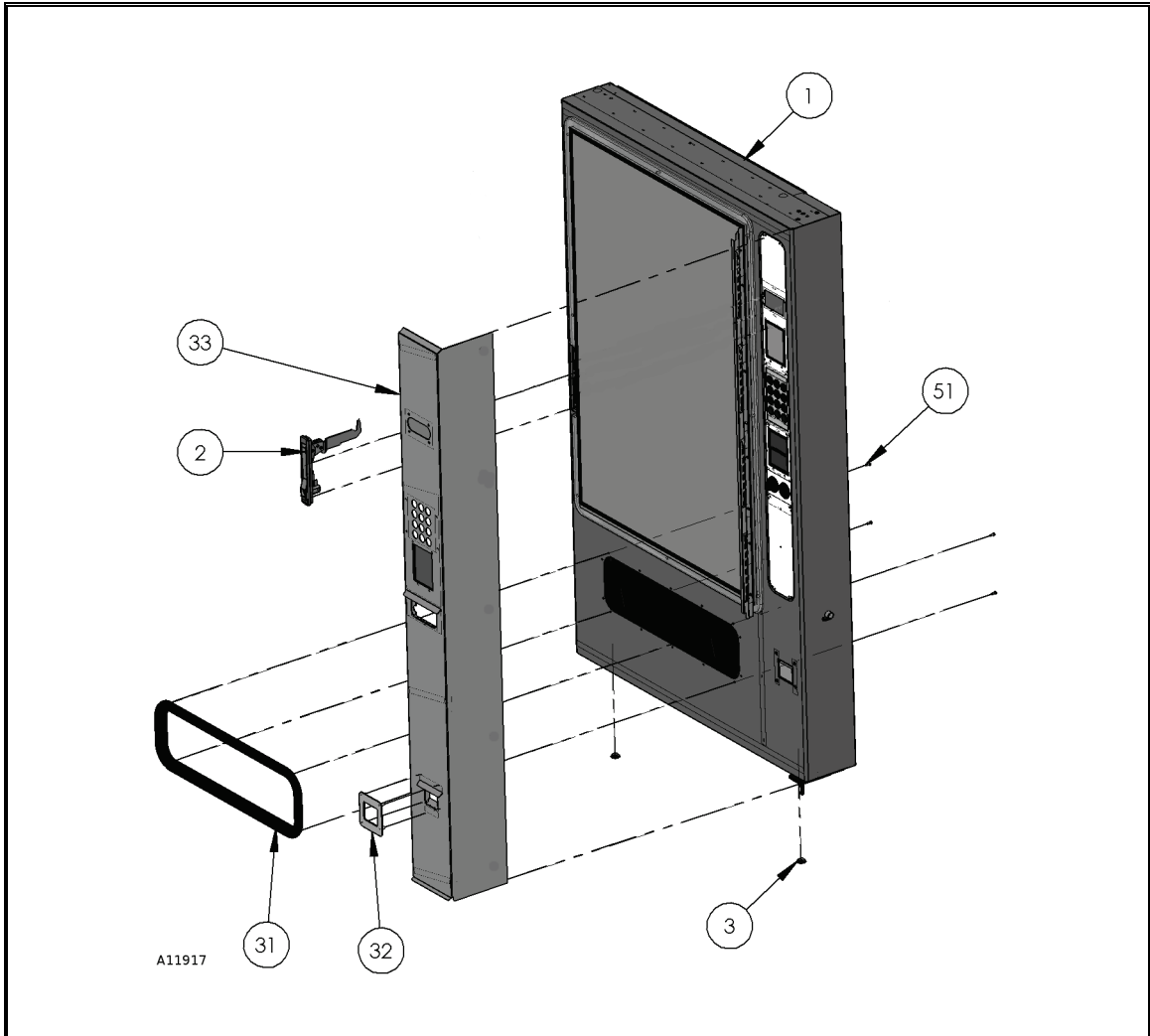
LIST OF PARTS NOT SHOWN

34	4216016	1	GFCI POWER CORD
----	---------	---	-----------------

* SPECIFY COLOR
AR AS REQUIRED

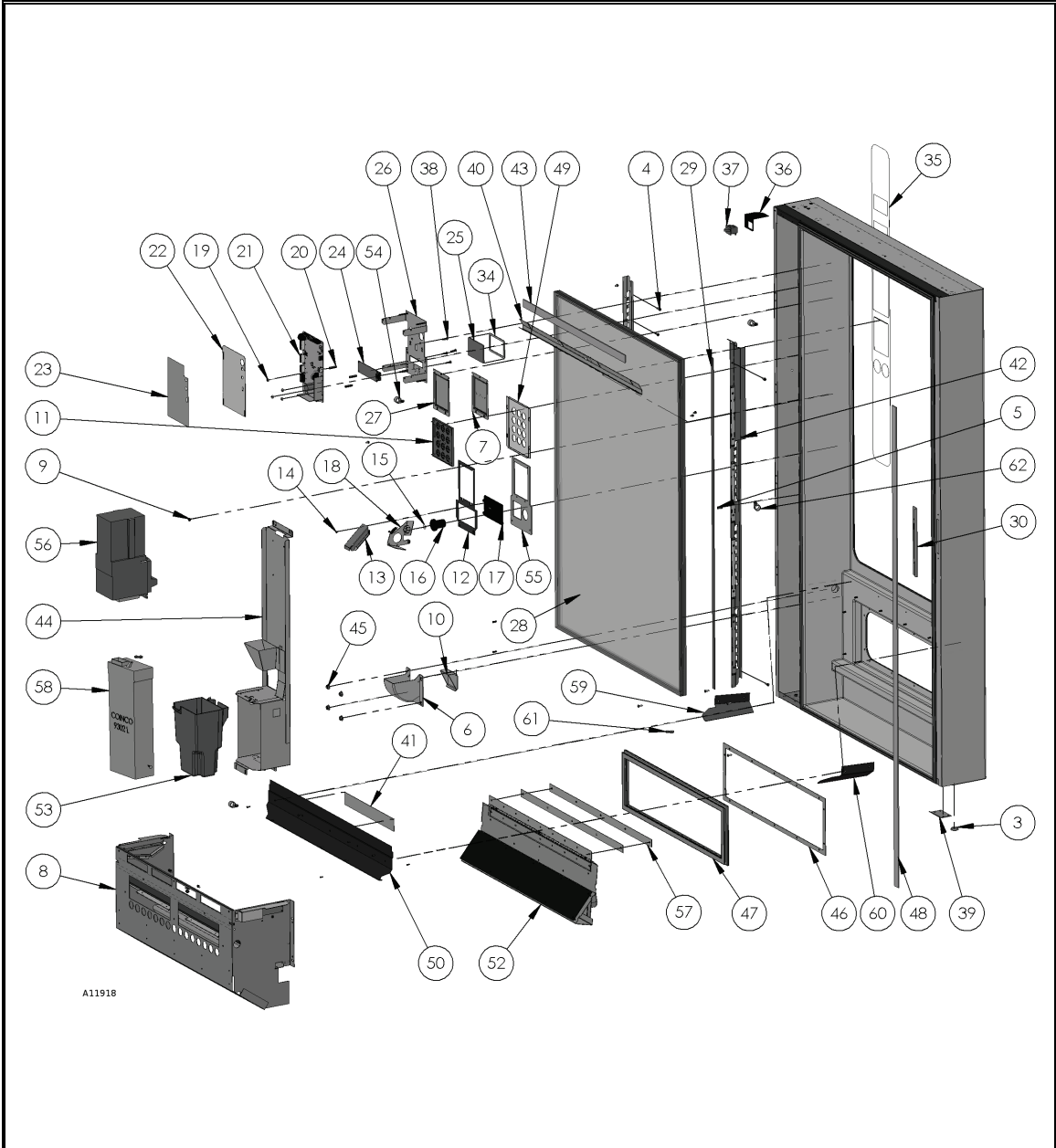
† SPECIFY VOLTAGE/ HEATED/UN-HEATED
†† SPECIFY SOFTWARE VERSION

DOOR ASSEMBLY



* SPECIFY COLOR
AR AS REQUIRED

† SPECIFY VOLTAGE/ HEATED/UN-HEATED
‡ SPECIFY SOFTWARE VERSION



A11918

* SPECIFY COLOR
AR AS REQUIRED

† SPECIFY VOLTAGE/ HEATED/UN-HEATED
†† SPECIFY SOFTWARE VERSION

DOOR ASSEMBLY PARTS LIST

ITEM NO.	PART NUMBER	3517	3518	3520	3521	DESCRIPTION
1	* 1217688	1	1	-	-	DOOR FOAM ASSEMBLY (5W)
	* 1218069	-	-	1	-	DOOR FOAM ASSEMBLY (3W)
	* 1218114	-	-	-	1	DOOR FOAM ASSEMBLY (5W-OUTDOOR)
	* 1218305	-	-	-	-	DOOR FOAM ASSEMBLY – 2BU (5W)
	* 1218305.001	-	-	-	-	DOOR FOAM ASSEMBLY – VENDORS EXCHANGE MIND
2	4218645	1	1	1	1	DOOR HANDLE ASSEMBLY
3	7250135.003	2	2	2	2	HOLE PLUG-BPF 3/4
4	4050202.001	30	30	30	40	8-18 x 1/2 PHIL HWK TEK
5	4050247	2	2	2	2	8-32 X 1/2 PHIL PH MS
6	4203207	1	1	1	1	COIN CUP
7	4217574	1	1	1	1	FILLER DECAL
8	SEE PAGE # 10	1	1	-	1	DELIVERY BOX ASSEMBLY (5W)
		-	-	1	-	DELIVERY BOX ASSEMBLY (3W)
9	8800956	27	27	27	27	8-32 HEX NUT W/ETW
10	4203208	1	1	1	1	COIN CUP DOOR/BLK
11	1216670	1	1	1	1	KEYPAD ASSEMBLY
12	4210954.000330	1	1	1	-	INSERT MOUNT
	4216673.000330	-	-	-	1	COIN INSERT MOUNT
13	1217787.000950	1	1	1	1	COIN CHUTE WELD
14	4201942	2	2	2	2	6-20 X 3/16 PHIL PH TYP B
15	4209188	1	1	1	1	SNAP PIN
16	4203187	1	1	1	1	COIN RETURN BUTTON
17	4203186.004	1	1	1	-	COIN INSERT BLACK 1 1/8
	4203186.026	-	-	-	1	COIN INSERT BLACK 1 3/8
18	1217987	1	1	1	1	COIN RETURN LEVER MECHANISM
19	4209866	4	4	4	4	6-32 NYLON NUT
20	4216687.1000	4	4	4	4	TUBULAR SPACER
21	†† 4214682.XXX	1	1	1	1	GVC2 CONTROL BOARD
22	4216657.000330	1	1	1	1	CONTROL BOARD COVER
23	4216031	1	1	1	1	SERVICE MODEL LABEL - GVC2
24	4216028	1	1	1	1	VF DISPLAY, RIGHT ANGLE
25	4202841.009	1	1	1	1	READOUT WINDOW/BLUE
26	4216656.001330	1	1	1	1	DISPLAY MOUNT W / STUDS
27	4217573	1	1	1	-	PERIPHERAL FILLER
28	† 4213919.XXX	-	-	1	-	TRIPLE PANE GLASS (SEE ITEM 41, 66, 72 & 73)
29	4209845	AR	AR	AR	AR	PROTECTIVE WINDOW SEAL 1/2 “
30	4218648.000330	1	1	1	1	LATCH TRIM PLATE
31	4214609.005	1	1	-	1	DELIVERY BEZEL (5W)
	4214609.003	-	-	1	-	DELIVERY BEZEL (3W)
32	4203209	1	1	1	-	COIN CUP BEZEL/BLK

* SPECIFY COLOR
AR AS REQUIRED

† SPECIFY VOLTAGE/ HEATED/UN-HEATED
†† SPECIFY SOFTWARE VERSION

ITEM NO.	PART NUMBER	3517	3518	3520	3521	DESCRIPTION
	1217210.000330	-	-	-	1	COIN CUP BEZEL
33	SEE PAGE # 36	-	-	-	1	SELECTOR PANEL COVER
34	4212108	-	-	-	1	READOUT WINDOW GASKET
35	4218811	1	1	1	-	SELECTOR PANEL DECAL
36	4217588	1	1	1	1	DOOR SWITCH MOUNT
37	4212621	1	1	1	1	SWITCH
38	4214729	4	4	4	4	STAND OFF
39	4218593	1	1	1	1	DOOR LIFT
40	SEE PAGE # 13	1	1	-	1	TOP LED ASSEMBLY DZF/SZF
41	4217577.002	AR	AR	AR	AR	FOAM TAPE
42	SEE PAGE # 14	2	2	2	2	SIDE LED ASSEMBLY DZF/SZF
43	4215119.001	AR	AR	AR	AR	1/8 X 1 FOAM TAPE
44	1216638.000330	1	1	1	1	MECH MOUNT WELD/BLK
45	4050747	4	4	4	-	1/4 STAMPED HEX NUT
46	4214153	-	-	1	-	DELIVERY GASKET RETAINER
	4214154	1	1	-	1	DELIVERY GASKET RETAINER
47	4215090.005	1	1	-	1	MAGNETIC GASKET
	4215090.003	-	-	1	-	
48	4215119	AR	AR	AR	AR	1/8 X 1/2 FOAM TAPE
49	4218809.000330	1	1	1	1	KEYPAD FILLER
50	4217570.000330	1	1	-	1	BOTTOM WINDOW DEFLECTOR
	4218897.000330	-	-	1	-	
51	8801322	14	14	10	14	8-18 X 1/2 PHIL HILO
52	SEE PAGE # 12	1	1	-	1	DELIVERY DOOR ASSEMBLY (5W)
		-	-	1	-	DELIVERY DOOR ASSEMBLY (3W)
53	4216287	1	1	1	1	COIN BOX
54	8324099.2	1	1	1	1	CLAMP - 1/4"
55	4216674	-	-	-	1	INSERT PLATE GASKET
56	OPTIONAL	1	1	1	1	BILL VALIDATOR
57	4218651	2	2	-	2	DELIVERY DOOR SHIM (5W)
	4218896	-	-	2	-	DELIVERY DOOR SHIM (3W)
58	OPTIONAL	1	1	1	1	COIN MECHANISM
59	4217595.000330	1	1	1	1	DELIVERY SIDE DEFLECTOR
60	4217595.001330	1	1	1	1	DELIVERY SIDE DEFLECTOR
61	4215272	12	12	10	12	HINGED SCREW COVER
62	8324099.7	2	2	2	2	CLAMP - 5/8"

LIST OF PARTS NOT SHOWN

63	4217620	1	1	1	1	LED POWER HARNESS
64	4214278	1	1	1	1	DEX HARNESS
65	4216308	1	1	1	1	DOOR SWITCH HARNESS
66	4212981	1	1	1	1	AMP 1-480698-0 PLUG-2 PIN (REQUIRED WITH HEATED GLASS ITEM 28)

* SPECIFY COLOR
AR AS REQUIRED

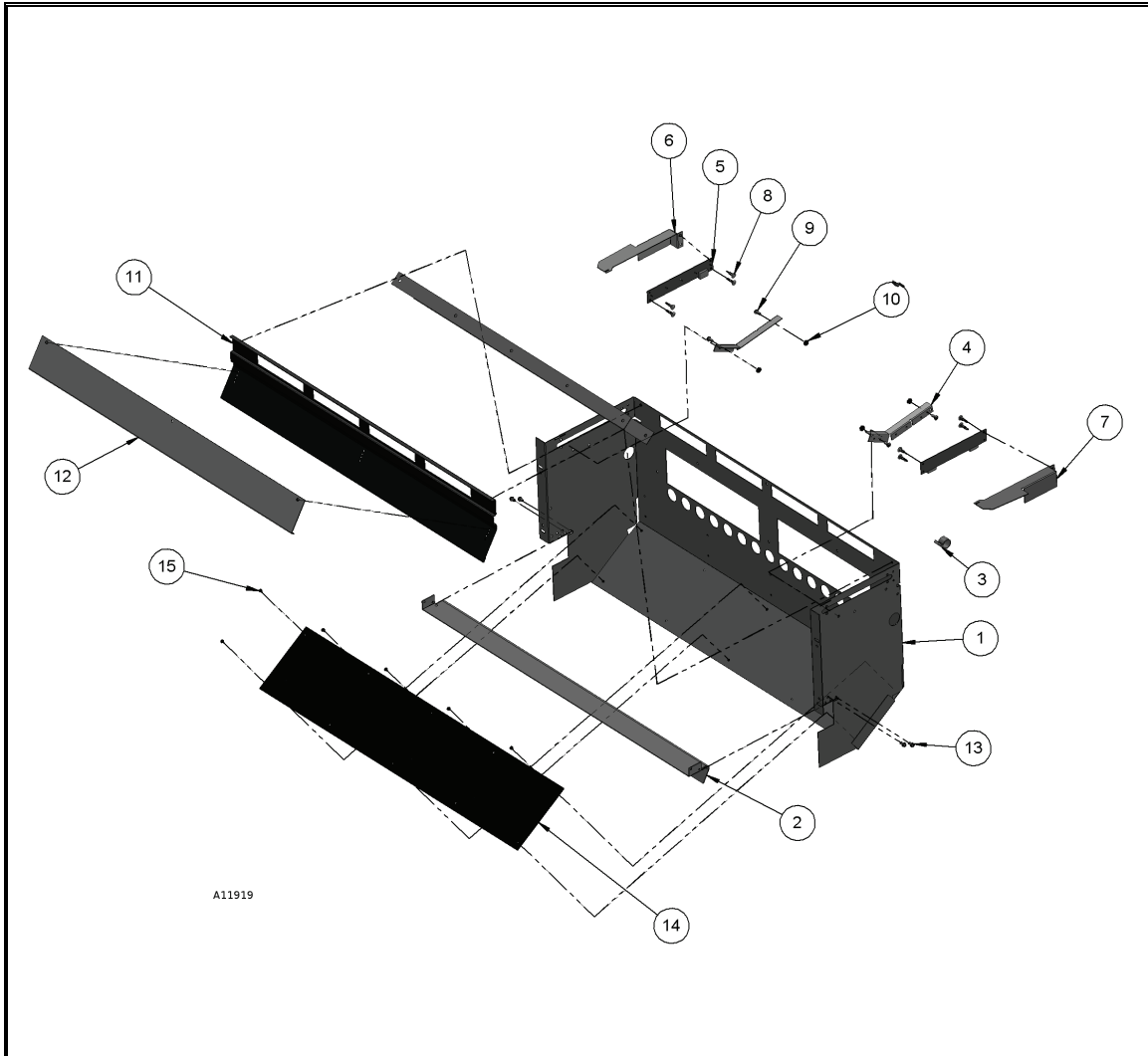
† SPECIFY VOLTAGE/ HEATED/UN-HEATED
‡ SPECIFY SOFTWARE VERSION

ITEM NO.	PART NUMBER	3517	3518	3520	3521	DESCRIPTION
	1211465.003	1	1	-	1	REPL-HA-13" GROUND WIRE
67	1211465.001	-	-	1	-	13" GROUND WIRE
68	4215471	1	1	1	1	MDB CABLE/GVC1
69	4215719	1	1	1	1	GVC2 DISPLAY CABLE
70	4216099	1	1	1	1	KEYPAD CABLE
71	4216708	1	1	1	1	I-VEND EXTENSION CABLE
72	4217638	1	1	1	1	HEATED GLASS HARNESS (REQUIRED WITH HEATED GLASS ITEM 28)
73	4218652	0.5FT	0.5FT	0.5FT	0.5FT	BLACK PVC TUBING 1/4" (REQUIRED WITH HEATED GLASS ITEM 28)
74	4219902	1	1	1	1	LED POWER JUMPER

* SPECIFY COLOR
AR AS REQUIRED

† SPECIFY VOLTAGE/ HEATED/UN-HEATED
†† SPECIFY SOFTWARE VERSION

DELIVERY BOX ASSEMBLY



* SPECIFY COLOR
AR AS REQUIRED

† SPECIFY VOLTAGE/ HEATED/UN-HEATED
†† SPECIFY SOFTWARE VERSION

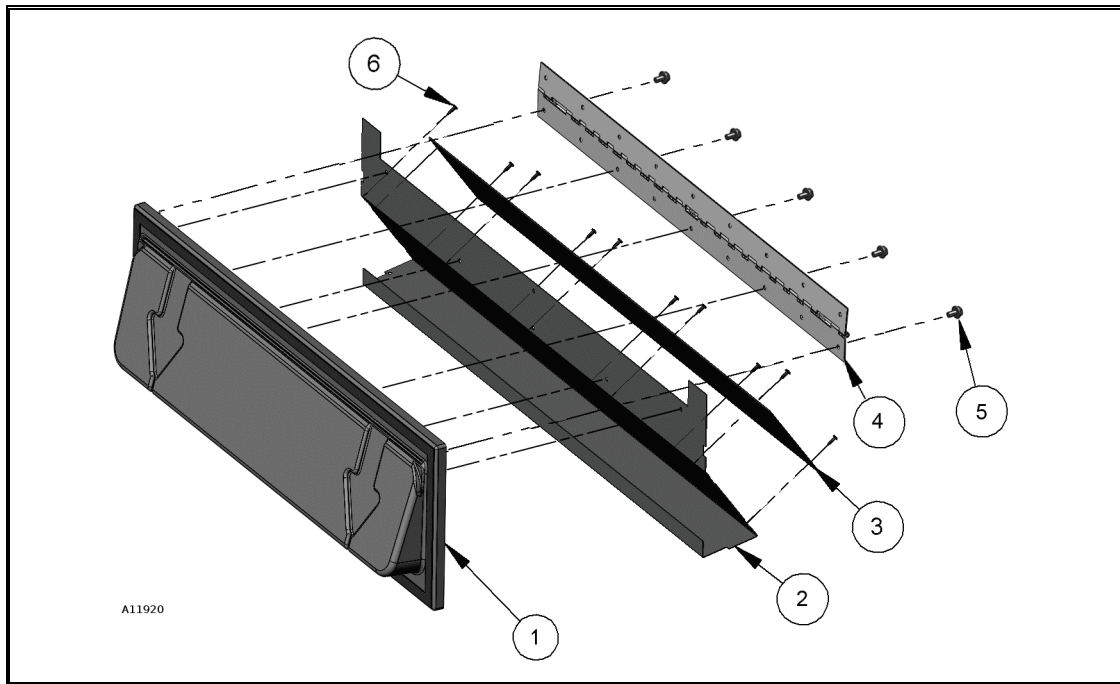
DELIVERY BOX ASSEMBLY PARTS LIST

ITEM NO.	PART NUMBER	3517	3518	3520	3521	DESCRIPTION
1	4217523.001330	1	1	-	1	DELIVERY WRAPPER (5W)
	4218877.001330	-	-	1	-	DELIVERY WRAPPER (3W)
2	4217528.000330	1	1	-	1	DELIVERY OPENING ANTICHEAT(5W)
	4218879.000330	-	-	1	-	DELIVERY OPENING ANTICHEAT(3W)
3	8324099.2	2	2	2	2	CLAMP – 1/4"
4	4219266.000330	2	2	2	2	DELIVERY DOOR STOP
5	4212464.010	1	1	1	1	DELIVERY SENSOR
6	4218642.000330	1	1	1	1	DELIVERY SENSOR COVER - LH
7	4218641.000330	1	1	1	1	DELIVERY SENSOR COVER - RH
8	4214729	8	8	8	8	BOARD STANDOFF
9	4050240	2	2	2	2	8-32 X 3/8 PHILL PH MS
10	8800956	2	2	2	2	8-32 HEX NUT W/ETW
11	4217553.000330	1	1	-	1	DELIVERY BOX HARNESS COVER
	4218878.000330	-	-	1	-	
12	4219327.005330	1	1	-	1	DELIVERY BOX DEFLECTOR
	4219327.003330	-	-	1	-	
13	4050420.001	15	15	12	15	8-18 X 1/4 PHIL HWH TY/BLK
14	4219264.001	1	1		1	DELIVERY IMPACT SHEET (5W)
	4219264.003	-	-	1	-	DELIVERY IMPACT SHEET (3W)
15	4215561.014	10	10	10	10	SNAP RIVET/BLACK 1/8

* SPECIFY COLOR
AR AS REQUIRED

† SPECIFY VOLTAGE/ HEATED/UN-HEATED
†† SPECIFY SOFTWARE VERSION

DELIVERY DOOR ASSEMBLY



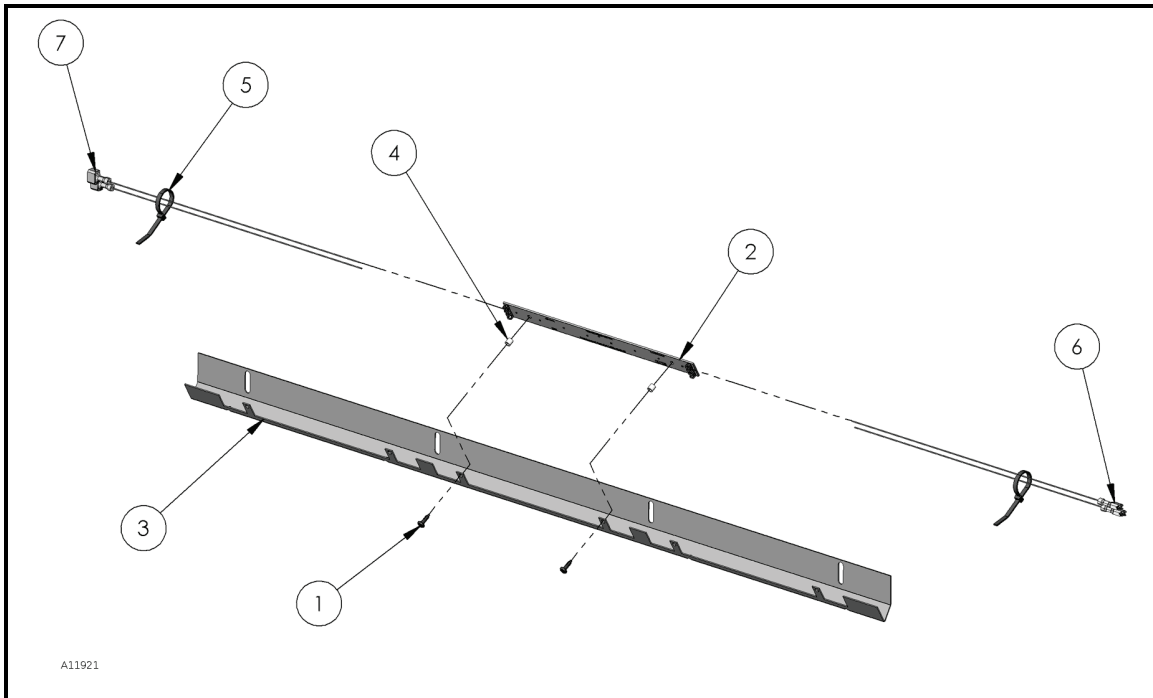
DELIVERY DOOR FOAM ASSEMBLY PARTS LIST

ITEM NO.	PART NUMBER	3517	3518	3520	3521	DESCRIPTION
1	1217725	1	1	-	1	DELIVERY DOOR FOAM ASSY (5W)
	1218071	-	-	1	-	DELIVERY DOOR FOAM ASSY (3W)
2	4219263.000330	1	1	-	1	DELIVERY DOOR ANTI-CHEAT (5W)
	4218895.000330	-	-	1	-	DELIVERY DOOR ANTI-CHEAT (3W)
3	4219264.002	1	1	-	1	DELIVERY IMPACT SHEET (5W)
	4219264.004	-	-	1	-	DELIVERY IMPACT SHEET (5W)
4	4218636	1	1	-	1	SPRING HINGE
	4218894	-	-	1	-	
5	4050420.001	5	5	5	5	8-18 X 1/4" PHIL HWH TYP B/BLK
6	4215561.014	10	10	10	10	SNAP RIVET /BLK/1/8

* SPECIFY COLOR
AR AS REQUIRED

† SPECIFY VOLTAGE/ HEATED/UN-HEATED
†† SPECIFY SOFTWARE VERSION

TOP LED ASSEMBLY (3517, 3518, 3521 ONLY)



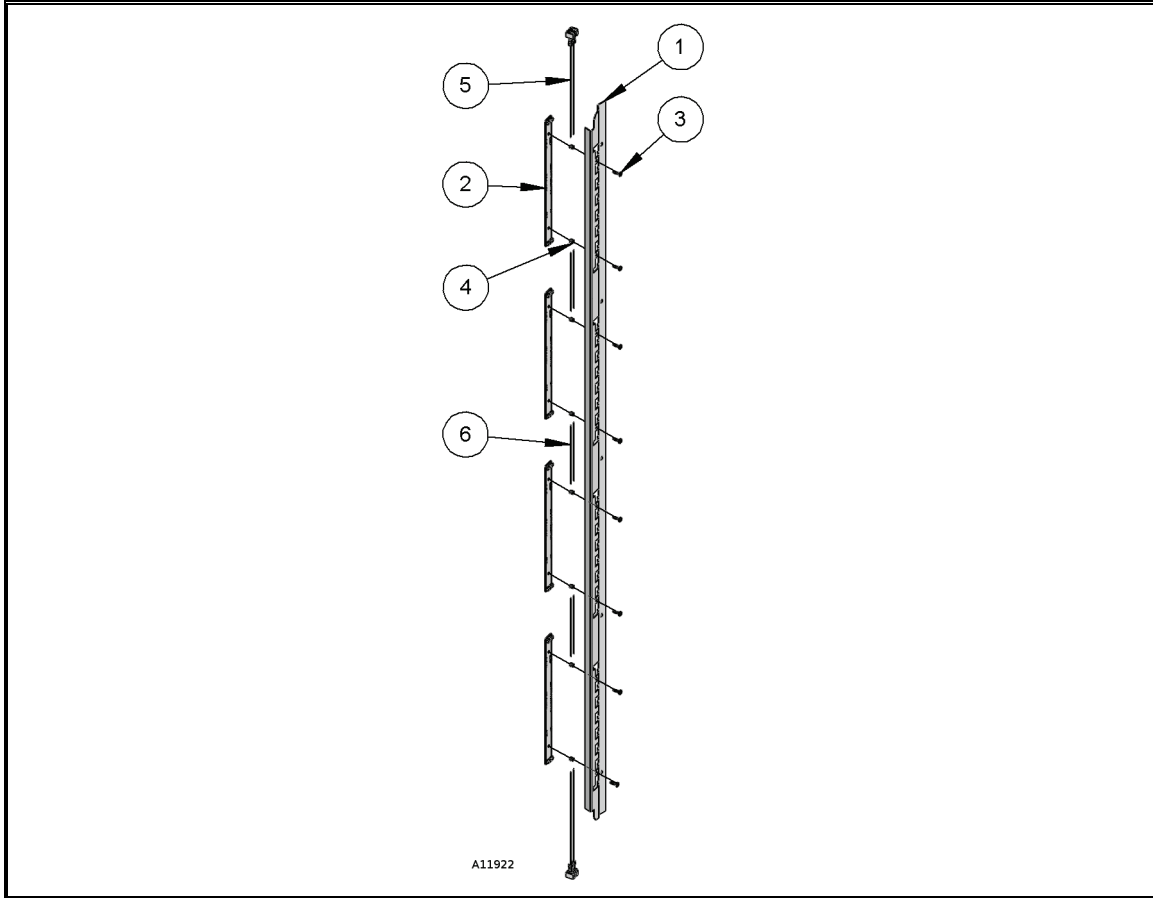
TOP LED ASSEMBLY PARTS LIST

ITEM NO.	PART NUMBER	3517	3518	3555	3521	DESCRIPTION
1	4215561.019	2	2	-	2	SNAP RIVET/BLACK 1/8
2	4216544	1	1	-	1	LED LIGHT ENGINE
3	4217683.000330	1	1	-	1	LED TOP PLATE (5W)
	4218946.000330	-	-	1	-	LED TOP PLATE (3W)
4	4216676	2	2	-	2	NYLON SPACER 1/8 X 3/16
5	4033704	4	4	-	4	CABLE TIE
6	4216692.003	2	2	-	2	.187 RECEPTACLE WIRE ASSEMBLY 13"
7	4216691.003	2	2	-	2	.187 TAB WIRE ASSEMBLY - 13"

* SPECIFY COLOR
AR AS REQUIRED

† SPECIFY VOLTAGE/ HEATED/UN-HEATED
†† SPECIFY SOFTWARE VERSION

SIDE LED ASSEMBLY



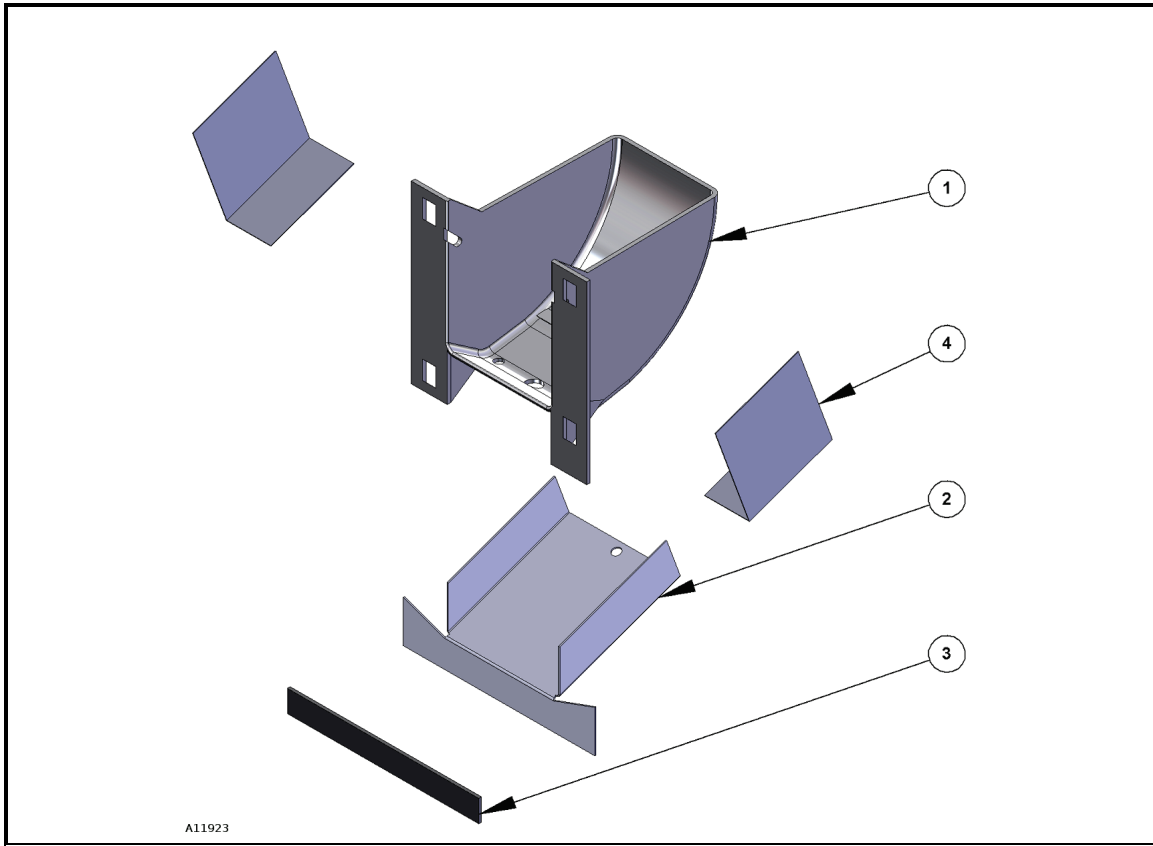
SIDE LED ASSEMBLY PARTS LIST

ITEM NO.	PART NUMBER	3517	3518	3520	3521	DESCRIPTION
1	4218786.000330	2	2	2	2	LED MOUNT
2	4216544	4	4	4	4	LED LIGHT ENGINE
3	4215561.019	8	8	8	8	SNAP RIVET/BLACK 1/8
4	4216676	8	8	8	8	NYLON SPACER 1/8 X 3/16
5	4216691	4	4	4	4	TAB WIRE ASSEMBLY 6"
6	4216693.004	6	6	6	6	20 GA WIRE/BLK-3.75"

* SPECIFY COLOR
AR AS REQUIRED

† SPECIFY VOLTAGE/ HEATED/UN-HEATED
†† SPECIFY SOFTWARE VERSION

COIN CUP ASSEMBLY (3518 OUTDOOR ONLY)



COIN CUP ASSEMBLY PARTS LIST (OPTIONAL)

ITEM NO.	PART NUMBER	3521	DESCRIPTION
1	4203207.002	1	COIN CUP W/HOLE/BLACK
2	4215823.000330	1	COIN CUP DRAIN BRACKET
3	4215119	0.3 FT	1/8 X 1/2 FOAM TAPE
4	4212649	2	ALUMINIUM TAPE 2"

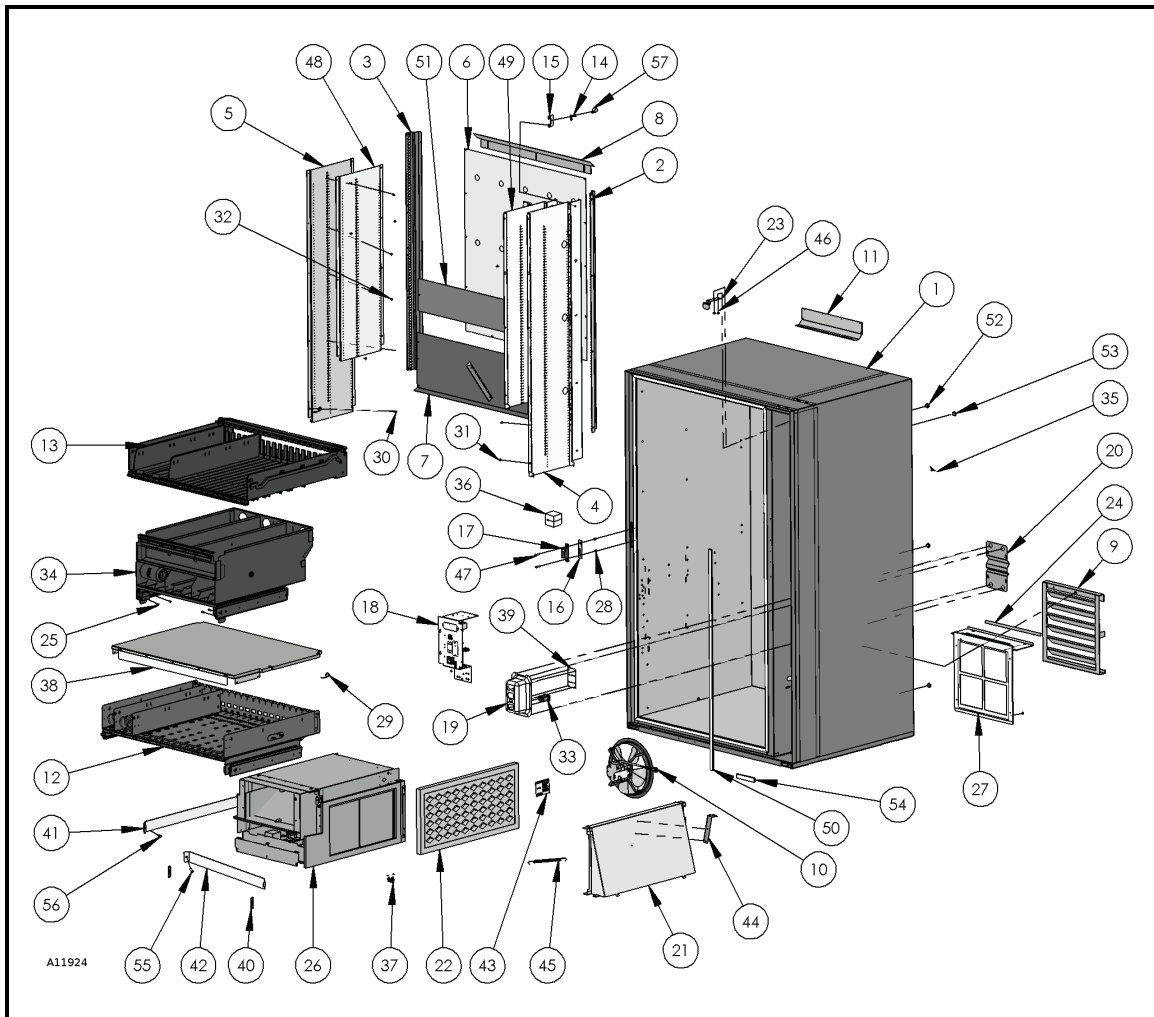
LIST OF PARTS NOT SHOWN

5	R.3994	0.05 FT	SEAL-MASTIC PERMAGUM
---	--------	---------	----------------------

* SPECIFY COLOR
AR AS REQUIRED

† SPECIFY VOLTAGE/ HEATED/UN-HEATED
‡ SPECIFY SOFTWARE VERSION

CABINET ASSEMBLY



CABINET ASSEMBLY PARTS LIST

ITEM NO.	PART NUMBER	3517	3518	3520	3521	DESCRIPTION
1	* 1217691	1	1	-	1	CABINET FOAM ASSEMBLY (5W)
	* 1218073	-	-	1	-	CABINET FOAM ASSEMBLY (3W)
2	4217340	1	1	1	1	RIGHT BACK RAIL SUPPORT
3	4217341	1	1	1	1	LEFT BACK RAIL SUPPORT
4	4217338.000330	1	-	-	1	RIGHT RAIL MOUNT
	4218930.000330	-	-	1	-	
5	4217339.000330	1	-	-	1	LEFT RAIL MOUNT
	4218929.000330	-	-	1	-	
6	4217498.000330	1	1	-	1	SZ AIR BLOCK
	4218898.000330	-	-	1	-	
7	4217496.000330	1	1	-	1	BOTTOM AIR BLOCK (5W)
	4218899.000330	-	-	1	-	

* SPECIFY COLOR
AR AS REQUIRED

† SPECIFY VOLTAGE/ HEATED/UN-HEATED
†† SPECIFY SOFTWARE VERSION

ITEM NO.	PART NUMBER	3517	3518	3520	3521	DESCRIPTION
8	4217386	1	1	-	1	AIR DEFLECTOR (5W)
	4218901	-	-	1	-	AIR DEFLECTOR (3W)
9	1217220	1	1	1	1	BACK SCREEN COVER ASSEMBLY
10	SEE PAGE # 33	1	1	1	1	CONDENSER FAN ASSEMBLY
11	4215799.000330	1	1	1	1	AIR BAFFLE BACK
12	SEE PAGE # 23	2	2	2	2	C & B TRAY ASSEMBLY (10 SEL)
13	SEE PAGE # 19	AR	AR	-	AR	PLASTIC TRAY ASSEMBLY(5W)
		-	-	AR	-	PLASTIC TRAY ASSEMBLY(3W)
14	4214684	1	1	1	1	TEMP SENSOR-CABINET
15	4219708	1	1	1	1	SENSOR MOUNT
16	4219325	1	1	1	1	LATCH SPACER
17	1218000	1	1	1	1	LATCH MOUNT ASSEMBLY
18	SEE PAGE # 27	1	1	1	1	POWER BOX ASSEMBLY
19	4216393.000330	1	1	1	1	CONNECTION BOX
20	4213448.000330	1	1	1	1	CONNECTION BOX COVER
21	1217911.000330	1	1	1	1	INTAKE HOOD FILTER RACK WELD
22	4218114	2	2	2	2	AIR FILTER (12 x 25 x 1)
23	4217698	1	1	1	1	SWITCH ACTIVATOR
24	4209845	2.3 FT	2.3 FT	2.3 FT	2.3 FT	PROTECTIVE WINDOW SEAL 1/2 "
25	8800638	6	6	8	6	10-16 x 3/8 PHL PH TYPE
26	SEE PAGE # 29	1	1	1	1	REF MODULE SUB-ASSEMBLY - 1/3 HP
27	1217222	1	1	1	1	SCREEN WELD
28	4215383	2	2	2	2	10 - 24 HEX NUT INSERT
29	4033712	4	4	4	4	CABLE TIE 7 3/8 "
30	4050239	25	25	25	25	8-32 X 3/8 PHL PH TY-T
31	4050241.001	10	10	10	10	8-18 X 3/4 PHIL PD/BLK
32	4050420.001	10	10	10	10	8-18 X 1/4 PHIL HWH TY/BLK
33	4212490.002	1	1	1	1	RFI FILTER IEC SOCKET 15A
34	SEE PAGE # 25	-	-	1	-	HCCT ASSEMBLY (5W)
		-	1	-	-	HCCT ASSEMBLY (3W)
35	4213784	1	1	1	1	PUSH BUTTON WIRE TIE
36	4214006	2	2	2	2	HARNESS INSUL BLOCK
37	4215633.001	2	2	2	2	SMALL BINDER CLIP
38	SEE PAGE # 35	-	1	-	-	BARRIER ASSEMBLY
39	4217384	1	1	-	1	CONNECTION BOX FILLER
40	4217512	2	2	2	2	REFER HOLD DOWN RETAINER
41	4217513	1	1	1	1	SIDE REFER HOLD DOWN
42	4217514	1	1	1	1	FRONT REFER HOLD DOWN
43	4219307	1	1	1	1	AIR FILTER LABEL
44	4219790	1	1	1	1	DOOR SPRING RETAINER
45	8361468	1	1	1	1	SPRING BAR RETAINER
46	8800829	2	2	2	2	10-24 X 3/8 PHL TH W/ET
47	8810035.001	2	2	2	2	10-24 X 1 TRUSS CROSS HEAD

* SPECIFY COLOR
AR AS REQUIRED

† SPECIFY VOLTAGE/ HEATED/UN-HEATED
†† SPECIFY SOFTWARE VERSION

ITEM NO.	PART NUMBER	3517	3518	3520	3521	DESCRIPTION
48	4217397.000330	-	1	-	-	LT FRONT RAIL SUPPORT(5W) (HCCT OPTION)
	4218929.000330	-	-	-	-	LT FRONT RAIL SUPPORT(3W) (HCCT OPTION)
49	4217395.000330	-	1	-	-	RT FRONT RAIL SUPPORT(5W) (HCCT OPTION)
	4218630.000330	-	-	-	-	RT FRONT RAIL SUPPORT(3W) (HCCT OPTION)
50	4213532	AR	AR	AR	AR	D-GASKET
51	4217497.000330	-	AR	-	-	MIDDLE AIR BLOCK(5W)
	4218900.000330	-	-	-	-	MIDDLE AIR BLOCK(3W)
52	7250135.000	3	3	3	3	HOLE PLUG, BP-1 3/8"
53	7250135.010	1	1	1	1	HOLE PLUG 1 1/4
54	4202255	AR	AR	AR	AR	GASKET 1/4X3/4 W/ADHV
55	4217354	1	1	1	1	1/4-20 X 5/8 PHL PH MS
56	4212937.016	1	1	1	1	THREAD INSERT, 1/4-20
57	8324099.14	1	1	1	1	CLAMP 3/8 X 1/8" (TEMP SENSOR MOUNTING)

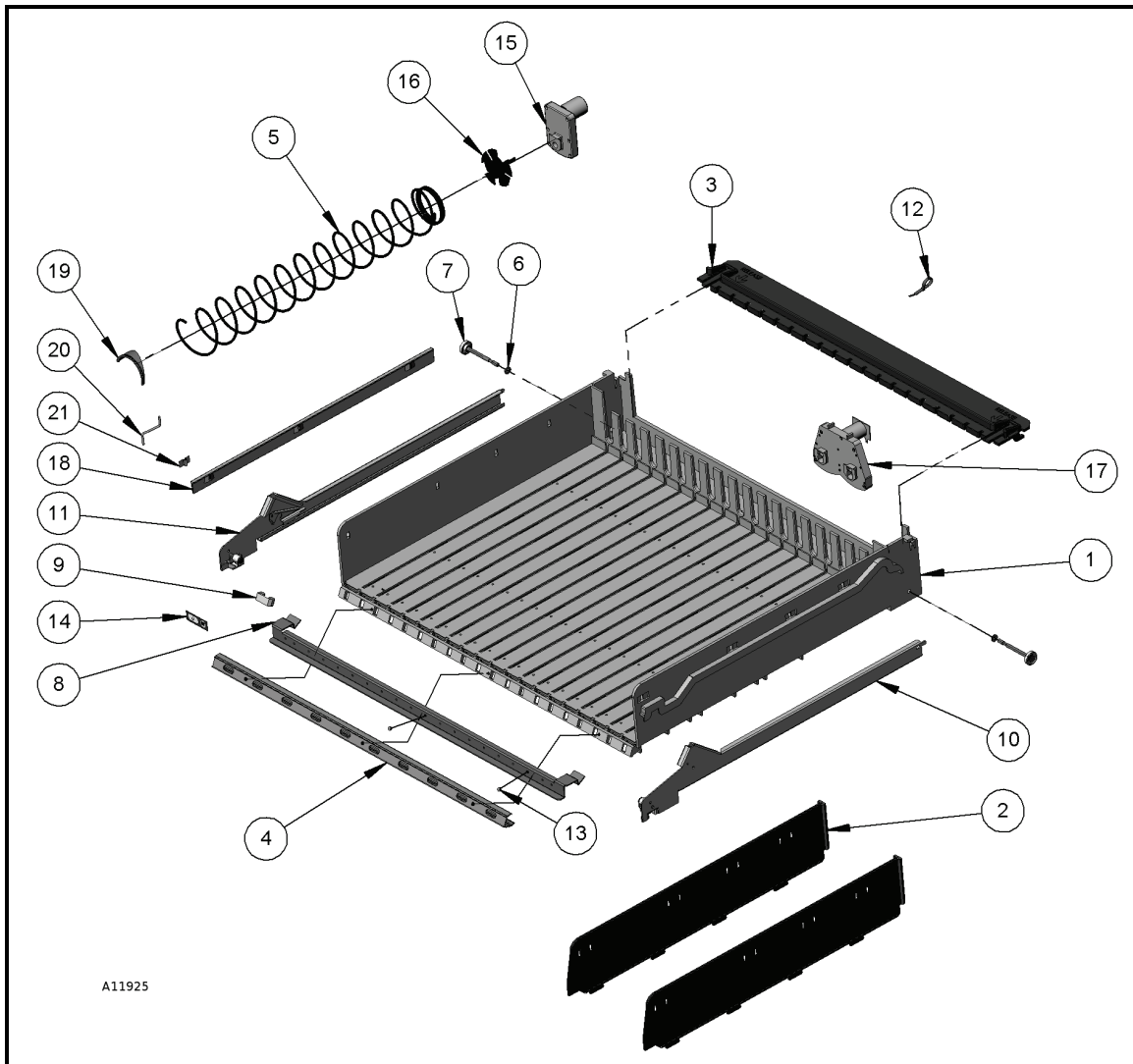
LIST OF PARTS NOT SHOWN

58	4217621	1	1	1	1	MOTOR MATRIX CABINET HARNESS
59	4216298	1	1	1	1	POWER HARNESS
60	4219869	1	1	1	1	CENTER SEAL (TEMPERATURE SENSOR CONNECTOR SEAL)

* SPECIFY COLOR
AR AS REQUIRED

† SPECIFY VOLTAGE/ HEATED/UN-HEATED
†† SPECIFY SOFTWARE VERSION

PLASTIC TRAY ASSEMBLY (5W) – (3517, 3518, 3521)



A11925

PLASTIC TRAY ASSEMBLY PARTS LIST

ITEM NO.	PART NUMBER	3517	3518	3521	DESCRIPTION
1	4210730.001	AR	AR	AR	5W TRAY
2	4210732 .001	AR	AR	AR	TRAY DIVIDER
3	4210731.005	AR	AR	AR	MOTOR COVER
4	4210733.005	AR	AR	AR	TRAY EXTRUSION
5	SEE PAGE # 37	AR	AR	AR	SPIRALS
6	4203029	AR	AR	AR	WASHER INNER DOOR
7	4060670.009	AR	AR	AR	ROLLER
8	4211371	AR	AR	AR	TRAY BRACE
9	SEE PAGE # 38	AR	AR	AR	PRICE SCROLL (4213143.XXX)
10	1215925	AR	AR	AR	RAIL ASSEMBLY LONG RIGHT
11	1215925.001	AR	AR	AR	RAIL ASSEMBLY LONG LEFT

* SPECIFY COLOR
AR AS REQUIRED

† SPECIFY VOLTAGE/ HEATED/UN-HEATED
‡ SPECIFY SOFTWARE VERSION

ITEM NO.	PART NUMBER	3517	3518	3521	DESCRIPTION
12	4203509	AR	AR	AR	CABLE TIE
13	4212631	AR	AR	AR	ALUMINUM/STEEL PLOLYGRIP RIVET
14	4218816	AR	AR	AR	SELECTION SCROLL COVER
15	4034388	AR	AR	AR	24 VDC MOTOR-360 DEGREE
16	4209502	AR	AR	R	AUGER COUPLING GRAY
17	4205436	AR	AR	AR	DUAL HELIX MOTOR
18	8370660.5	AR	AR	AR	SPACER
19	4025748	AR	AR	AR	PRODUCT ENJECTOR-CCW- BLK
20	8370998	AR	AR	AR	SUPPORT SPACER
21	4200281	AR	AR	AR	SPRING CLIP

LIST OF PARTS NOT SHOWN

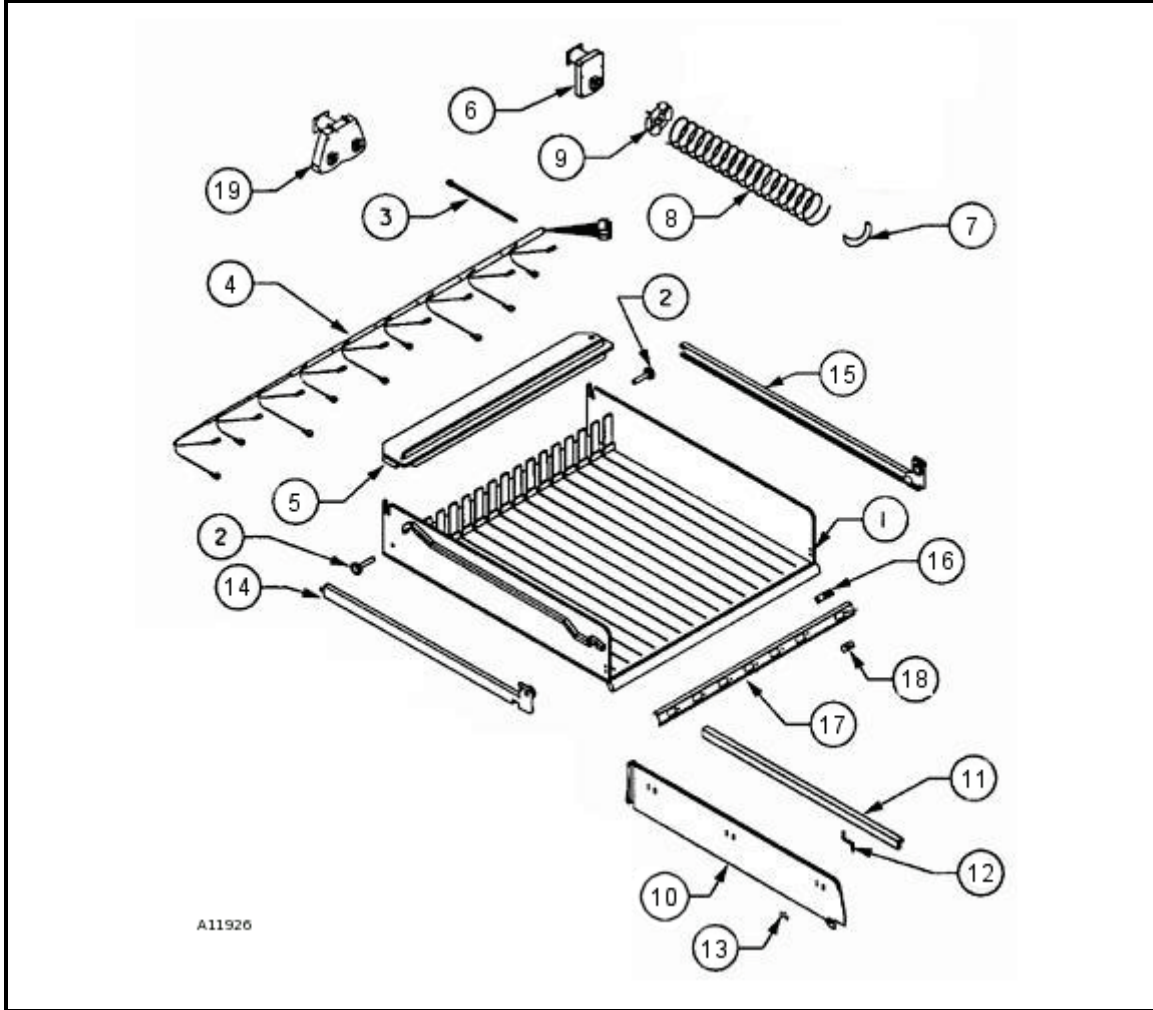
22	4214343.005	AR	AR	AR	TRAY HARNESS 5W
----	-------------	----	----	----	-----------------

NOTE: ORDER 1216001 TO RECEIVE ITEM 1,3,6,7, 8 & 13 TOGETHER

* SPECIFY COLOR
AR AS REQUIRED

† SPECIFY VOLTAGE/ HEATED/UN-HEATED
†† SPECIFY SOFTWARE VERSION

3W PLASTIC TRAY ASSEMBLY (3520)



* SPECIFY COLOR
AR AS REQUIRED

† SPECIFY VOLTAGE/ HEATED/UN-HEATED
‡ SPECIFY SOFTWARE VERSION

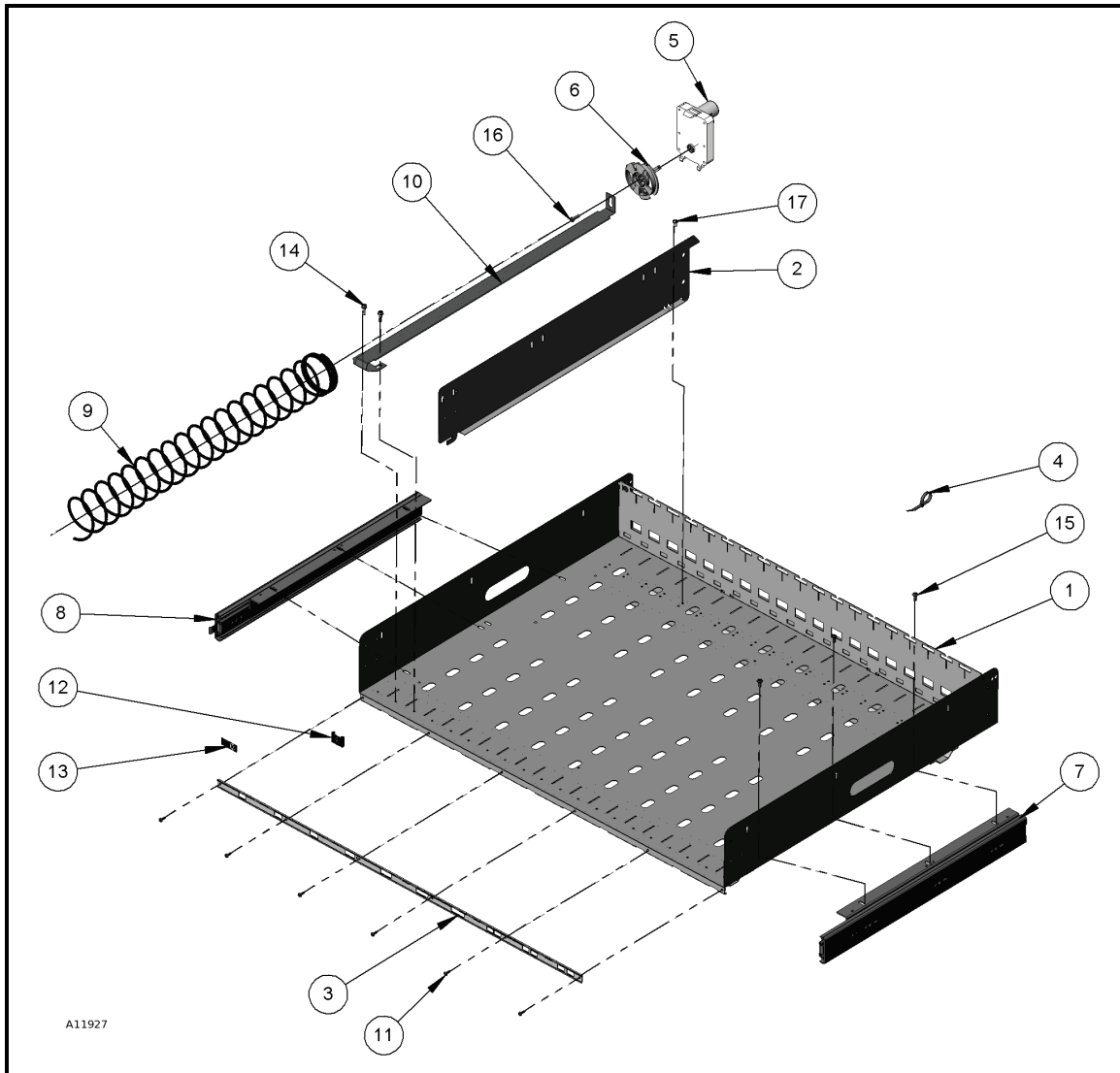
3W PLASTIC TRAY ASSEMBLY PARTS LIST

ITEM NO.	PART NUMBER	3520	DESCRIPTION
1	4203275	AR	PRODUCT TRAY
2	4060670.004	AR	ROLLER
3	4203509	AR	CABLE TIE
4	4214343.003	AR	TRAY HARNESS
5	4203277.003	AR	MOTOR COVER
6	4034388	AR	24 VDC MOTOR – 360
7	4025748	AR	PRODUCT EJECTOR
8	SEE PAGE # 37	AR	SPIRALS
9	4209502	AR	AUGER COUPLING
10	4025797	AR	PRODUCT DIVIDER
11	8370660.5	AR	SPACER
12	8370998	AR	SPACER SUPPORT
13	4200281	AR	SPRING CLIP
14	1200321.002	AR	RAIL ASSEMBLY LONG LEFT
15	1200321.003	AR	RAIL ASSEMBLY LONG RIGHT
16	4218816	AR	SELECTION SCROLL COVER/HR
17	4203229.003	AR	LABEL HOLDER
18	SEE PAGE # 38	AR	PRICE SCROLL (4213143.XXX)
19	4205436	AR	DUAL HELIX MOTOR

* SPECIFY COLOR
AR AS REQUIRED

† SPECIFY VOLTAGE/ HEATED/UN-HEATED
‡ SPECIFY SOFTWARE VERSION

CAN & BOTTLE TRAY ASSEMBLY



CAN & BOTTLE TRAY ASSEMBLY PARTS LIST

ITEM NO.	PART NUMBER	3517	3518	3520	3521	DESCRIPTION
	1217497.000330	AR	AR	-	AR	TRAY WELD (5W) (10 SELECTION)
1	1217707.000330	AR	AR	-	AR	TRAY WELD (5W) (9 SELECTION)
	1218075.000330	-	-	AR	-	TRAY WELD (3W)
2	4209261.001330	AR	AR	AR	AR	TRAY DIVIDER
	4217474.001	AR	AR	-	AR	LABEL HOLDER (5W) (10 SELECTION)
3	4217474.002	AR	AR	-	AR	LABEL HOLDER (5W) (9 SELECTION)
	4217748	-	-	AR	-	LABEL HOLDER (3W)
4	4203509	AR	AR	AR	AR	CABLE TIE
5	4216379.004	AR	AR	AR	AR	MOTOR SNAP-IN 360 DEG
6	4216378	AR	AR	AR	AR	SPIRAL ADAPTER

* SPECIFY COLOR
AR AS REQUIRED

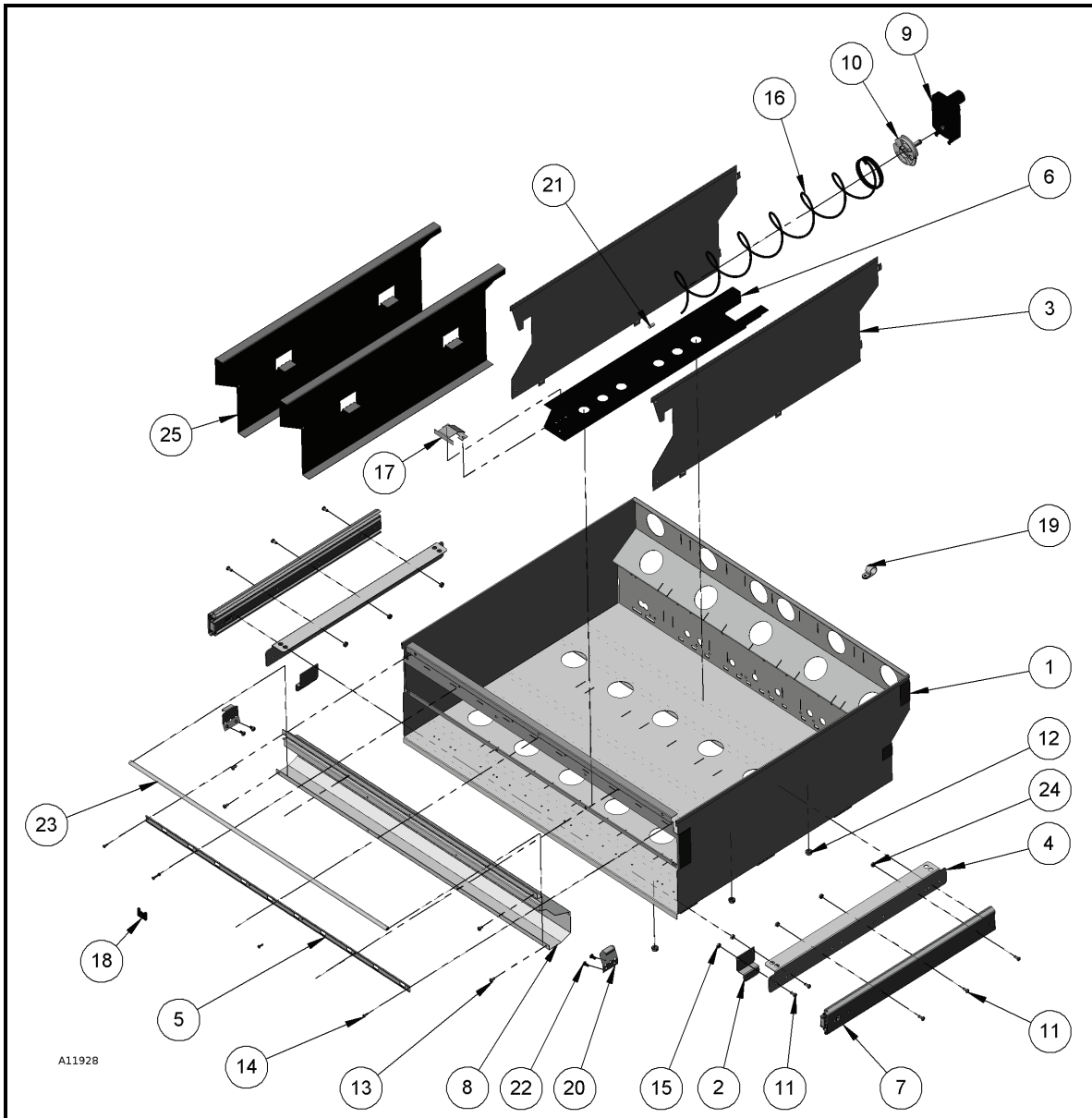
† SPECIFY VOLTAGE/ HEATED/UN-HEATED
†† SPECIFY SOFTWARE VERSION

ITEM NO.	PART NUMBER	3517	3518	3520	3521	DESCRIPTION
7	4216381	AR	AR	AR	AR	ROLLER SLIDE LEFT
8	4216381.001	AR	AR	AR	AR	ROLLER SLIDE RIGHT
9	SEE PAGE # 37	AR	AR	AR	AR	SPIRAL
10	4218723.000330	AR	AR	AR	AR	RISER
11	4215561.019	AR	AR	AR	AR	SNAP RIVET/BLACK 1/8
12	SEE PAGE # 38	AR	AR	AR	AR	PRICE SCROLL (4217475.XXX)
13	4217483	AR	AR	AR	AR	SELECTION INDENT SHEET
14	4050423.001	AR	AR	AR	AR	8-18X3/8 PHIL PH TY-A/BLK
15	4050420.001	AR	AR	AR	AR	8-18X1/4 PHIL HWH TY-/BLK
16	4050423	AR	AR	AR	AR	8-18X3/8 PHIL PH TY-A/BLK
17	4050420	AR	AR	AR	AR	8-18X1/4 PHIL HWH TY-

* SPECIFY COLOR
AR AS REQUIRED

† SPECIFY VOLTAGE/ HEATED/UN-HEATED
†† SPECIFY SOFTWARE VERSION

HIGH CAPACITY CAN TRAY (HCCT) ASSEMBLY (3518, 3520)



HCC TRAY ASSEMBLY PARTS LIST (OPTIONAL)

ITEM NO.	PART NUMBER	3518	3520	DESCRIPTION
1	1218082.000330	-	AR	HCC TRAY WELD (3W)
	1218021.000330	AR	-	HCC TRAY WELD (5W)
2	4216788.000330	AR	AR	HCT SLIDE STOP
3	4218971.000330	AR	AR	HCT DIVIDER
4	4214234.000330	AR	AR	DRAWER SLIDE BRACE
5	4217748	-	AR	LABEL HOLDER (3W)
	4217474	AR	-	LABEL HOLDER (5W)
6	4214092.000330	AR	AR	SPIRAL RETAINER

* SPECIFY COLOR
AR AS REQUIRED

† SPECIFY VOLTAGE/ HEATED/UN-HEATED
†† SPECIFY SOFTWARE VERSION

ITEM NO.	PART NUMBER	3518	3520	DESCRIPTION
7	4214233	AR	AR	DRAWER SLIDE
8	4218892.000330	-	AR	HCT FRONT BRACE (3W)
	4218729.000330	AR	-	HCT FRONT BRACE (5W)
9	4216379.004	AR	AR	MOTOR SNAP-IN 360 DEG
10	4216378	AR	AR	SPIRAL ADAPTER
11	4050240	AR	AR	8-32X3/8 PHIL PH MS
12	8800959	AR	AR	1/4-20 HEX NUT W/ETW
13	4050423	AR	AR	8-18X3/8 PHIL PH TY-A
14	4215561.019	AR	AR	SNAP RIVET/BLACK 1/8
15	8800956	AR	AR	8-32 HEX NUT W/ETW
16	4214090.000309	AR	AR	SPIRAL- 8 CT
17	4214910.000330	AR	AR	SPIRAL LIFT
18	SEE PAGE # 38	AR	AR	PRICE SCROLL (4217475.XXX)
19	8324099.4	AR	AR	CLAMP - 3/8 X 3/8
20	4216787	AR	AR	HCT LATCH
21	4050548.001	AR	AR	SCREW COVER-BLACK
22	8800638	AR	AR	10-16X3/8 PHL PH TYPE
23	4215365	AR	AR	D GASKET
24	4050511	AR	AR	8-32 NUT-TWO WAY LOCK
25	4219957	AR	AR	375 ml FILLER

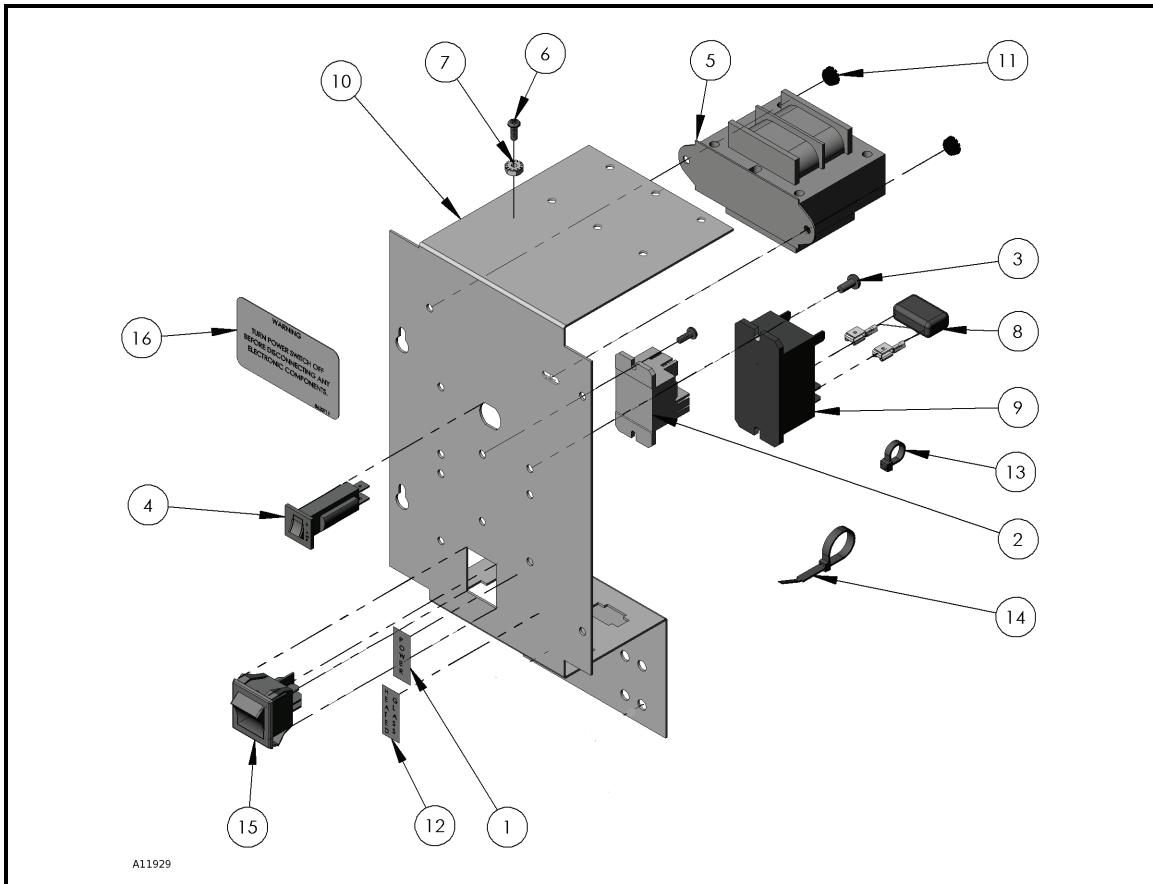
LIST OF PARTS NOT SHOWN

26	4215985	AR	AR	TRAY HARNESS-CAN MECHANISM
----	---------	----	----	----------------------------

* SPECIFY COLOR
AR AS REQUIRED

† SPECIFY VOLTAGE/ HEATED/UN-HEATED
†† SPECIFY SOFTWARE VERSION

POWER ASSEMBLY



A11929

POWER ASSEMBLY PART LIST

ITEM NO.	PART NUMBER	3517	3518	3520	3521	DESCRIPTION
1	4212527	1	1	1	1	POWER LABEL
2	4216013	1	1	1	1	MINI RELAY SPST, 24V DC
3	4050240	AR	AR	AR	AR	8-32 x .375 PHIL PH MS
4	4203467.003	1	1	1	1	3 AMP CIRCUIT BREAKER
5	4206570.000	1	1	1	1	TRANSFORMER 110V/24V
	4206570.001	-	-	-	-	TRANSFORMER 220V/24V
6	8800060	AR	AR	AR	AR	6-32 x 3/8 PHIL PH MS
7	8800955	AR	AR	AR	AR	6-32 HEX NUT W/ETW
8	1216357	1	1	1	1	ARC SUPPRESSOR SNBBER 110V
	1216357.001	-	-	-	-	ARC SUPPRESSOR SNBBER 220V
9	4206643	1	1	1	1	RELAY DPST 24 VAC/DC30A
10	4218777	1	1	1	1	POWER BOX
11	8800956	AR	AR	AR	AR	8-32 HEX NUT W/ETW
12	4212526	1	1	1	1	HEATED GLASS LABEL (OPTION)
13	4033704	2	2	2	2	CABLE TIE
14	4033712	1	1	1	1	CABLE TIE 7 3/8"

* SPECIFY COLOR
AR AS REQUIRED

† SPECIFY VOLTAGE/ HEATED/UN-HEATED
†† SPECIFY SOFTWARE VERSION

ITEM NO.	PART NUMBER	3517	3518	3520	3521	DESCRIPTION
15	4213627	1	1	1	1	SWITCH-DOUBLE POLE
16	8620711	1	1	1	1	POWER SWITCH WARNING

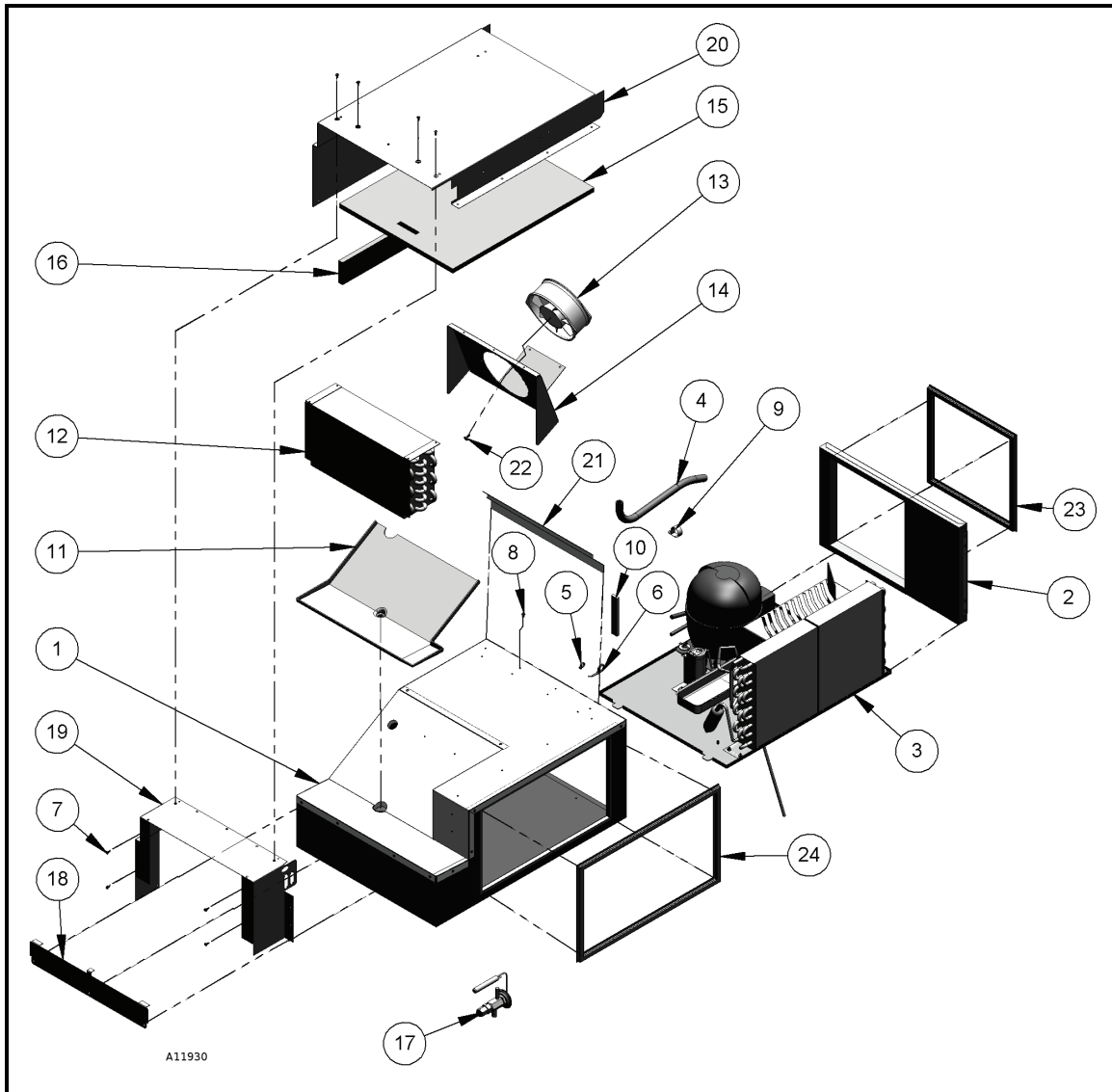
LIST OF PARTS NOT SHOWN

17	4217622	1	1	1	1	CABINET CONTROL HARNESS
18	4217619	1	1	1	1	POWER BOX/RELAY SECONDARY HARNESS
19	4217653	1	1	1	1	POWER BOX/RELAY PRIMARY HARNESS

* SPECIFY COLOR
AR AS REQUIRED

† SPECIFY VOLTAGE/ HEATED/UN-HEATED
†† SPECIFY SOFTWARE VERSION

REFRIGERATION MODULE ASSEMBLY (110V & 220V)



REFRIGERATION MODULE PARTS LIST

ITEM NO.	PART NUMBER	3517	3518	3520	3521	DESCRIPTION
1	1218108	1	1	1	1	MODULE-FOAMED
2	1218016	1	1	1	1	REFER BACK COVER ASSEMBLY
3	SEE PAGE # 31	1	1	1	1	REFER BASE ASSEMBLY
4	4025410.500	AR	AR	AR	AR	TUBING MAYON RAW
5	4033704	5	5	5	5	CABLE TIE
6	4033712	4	4	4	4	CABLE TIE 7 3/8"
7	4050180	18	18	18	18	8-18 x 1/2 PHIL PH TEK
8	4050420	20	20	20	20	8-18 x 1/4 PHIL HWH TY
9	4060134	1	1	1	1	PLASTIC WIRE CLAMP 1"
10	4202255	AR	AR	AR	AR	GASKET 1/4 x3/4 W/ADHESIVE

* SPECIFY COLOR
AR AS REQUIRED

† SPECIFY VOLTAGE/ HEATED/UN-HEATED
†† SPECIFY SOFTWARE VERSION

ITEM NO.	PART NUMBER	3517	3518	3520	3521	DESCRIPTION
11	4214818	1	1	1	1	EVAPORATOR DRAIN PAN
12	4214819	1	1	1	1	EVAPORATOR
13	4214996	1	1	1	1	EVAPORATOR FAN MOTOR/110V
	4214996.001	-	-	-	-	EVAPORATOR FAN MOTOR/220V
14	4214997.000330	1	1	1	1	FAN MOUNT
15	4215092	1	1	1	1	AIR DUCT INSULATOR
16	4215092.001	2	2	2	2	AIR DUCT INSULATOR
17	4215110	1	1	1	1	EXPANSION VALVE/ 110V
	4215110.001	-	-	-	-	EXPANSION VALVE/ 220V
18	4215113.000330	1	1	1	1	EVAPORATOR DRAIN PAN HOLDER
19	4215325.000330	1	1	1	1	EVAPORATOR MOUNT
20	4215326.000330	1	1	1	1	EVAPORATOR AIR DUCT
21	4215798.000330	1	1	1	1	AIR BAFFLE FRONT
22	8800833	2	2	2	2	10-32 x 1/2 PHIL W/ETW
23	4218654	1	1	1	1	REFER MODULE GASKET
24	4218654.001	1	1	1	1	REFER MODULE GASKET

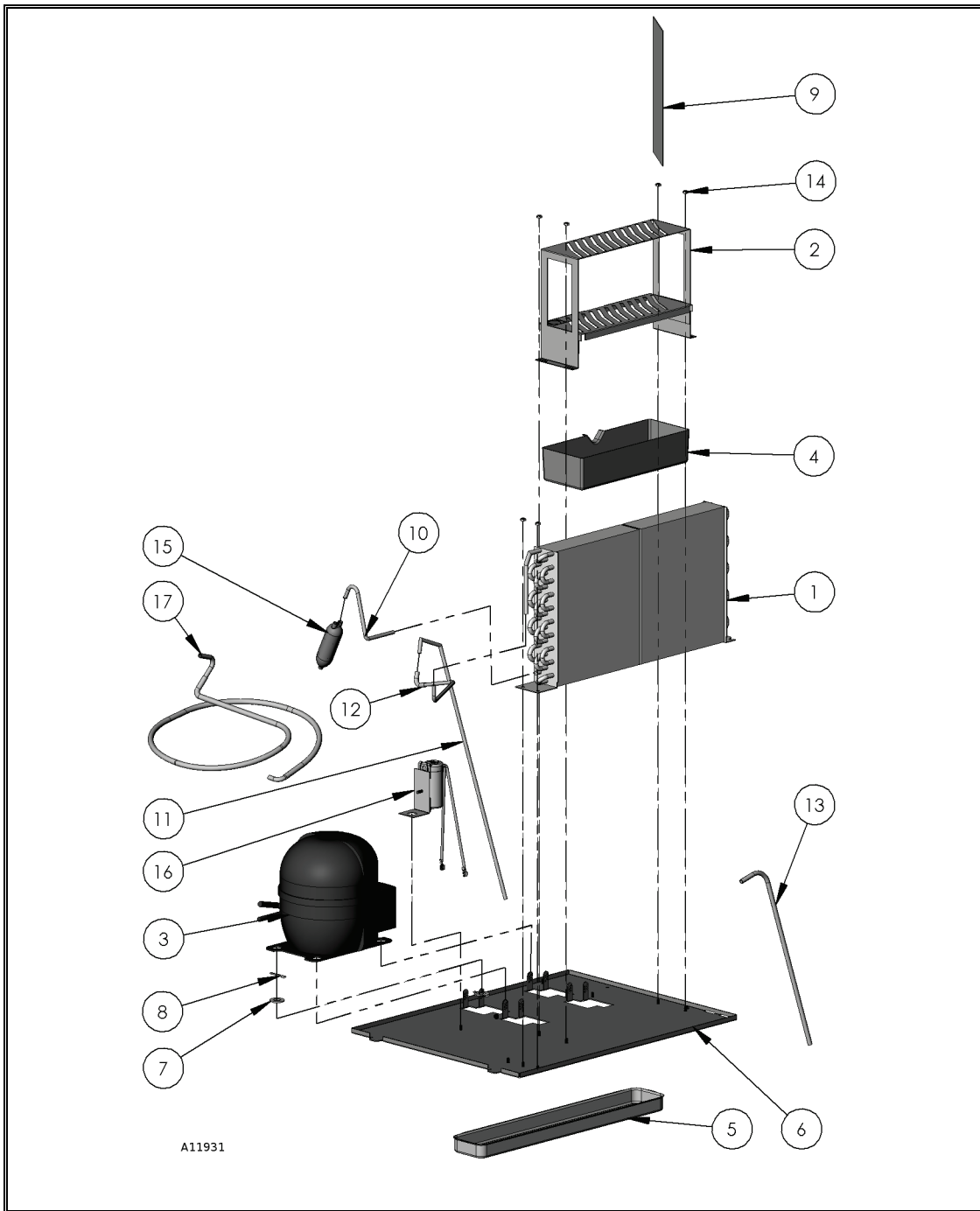
LIST OF PARTS NOT SHOWN

25	R .3994	AR	AR	AR	AR	SEAL – MASTIC PERMAGUM
26	4201709	AR	AR	AR	AR	SOLDER SAFE SIL15%
27	4206366.XXX	AR	AR	AR	AR	INSULATION TUBING
28	4212649	AR	AR	AR	AR	ALUM TAPE 2" 50 YD ROLL
29	4212656	AR	AR	AR	AR	5/8 ID INSUL TUBE W/SLIT
30	4214348	1	1	1	1	REFERIGERATION SYSTEM HARNESS
31	4212649.002	AR	AR	AR	AR	ALUMINUM TAPE 4"
32	4205470	AR	AR	AR	AR	R-134A REFRIGERANT
33	4215283	AR	AR	AR	AR	TERMINAL ¼ IN
34	4218268	AR	AR	AR	AR	CORK TAPE
35	4218462	AR	AR	AR	AR	BRAZE 560 FLUX CORE

* SPECIFY COLOR
AR AS REQUIRED

† SPECIFY VOLTAGE/ HEATED/UN-HEATED
†† SPECIFY SOFTWARE VERSION

REFRIGERATION BASE ASSEMBLY (110V & 220V)



* SPECIFY COLOR
AR AS REQUIRED

† SPECIFY VOLTAGE/ HEATED/UN-HEATED
†† SPECIFY SOFTWARE VERSION

REFRIGERATION BASE ASSEMBLY PARTS LIST

ITEM NO.	PART NUMBER	3517	3518	3520	3521	DESCRIPTION
1	1216651	1	1	1	1	1/3 H.P. CONDENSOR
2	1216968	1	1	1	1	EVAPORATE CARD WELD
3	4213095	1	1	1	1	COMPR / MATS / 110V/ SUPER 1/3
	4219305.001	-	-	-	-	COMPR / MATS / 220V/ SUPER 1/3
4	4215256	1	1	1	1	DRAIN PAN
5	7200623.000	1	1	1	1	EVAPORATOR PAN
6	1216961	1	1	1	1	REFER BASE STAKE ASSEMBLY
7	4050608	8	8	8	8	1/2 FLAT WASHER-ZINC
8	4050773.001	4	4	4	4	#17 HITCH PIN CLIP
9	4214735	12	12	12	12	EVAPORATE CARD
10	4215044	1	1	1	1	CONDENSOR TO DRIER
11	4215045	1	1	1	1	PROCESS TUBE
12	4215046	1	1	1	1	COMPRESSOR TO CONDENSOR
13	4215047	1	1	1	1	COMPRESSOR DISCHARGE
14	8800956	AR	AR	AR	AR	6-32 HEX NUT W/ETW
15	4205468.003	1	1	1	1	DRIER BONDED CORE
16	4218626	1	1	1	1	STARTING CAPACITOR - 110 V
	4212286.001	-	-	-	-	STARTING CAPACITOR - 220V
17	4216941	-	-	-	-	SUCTION LINE WELD (220V ONLY)

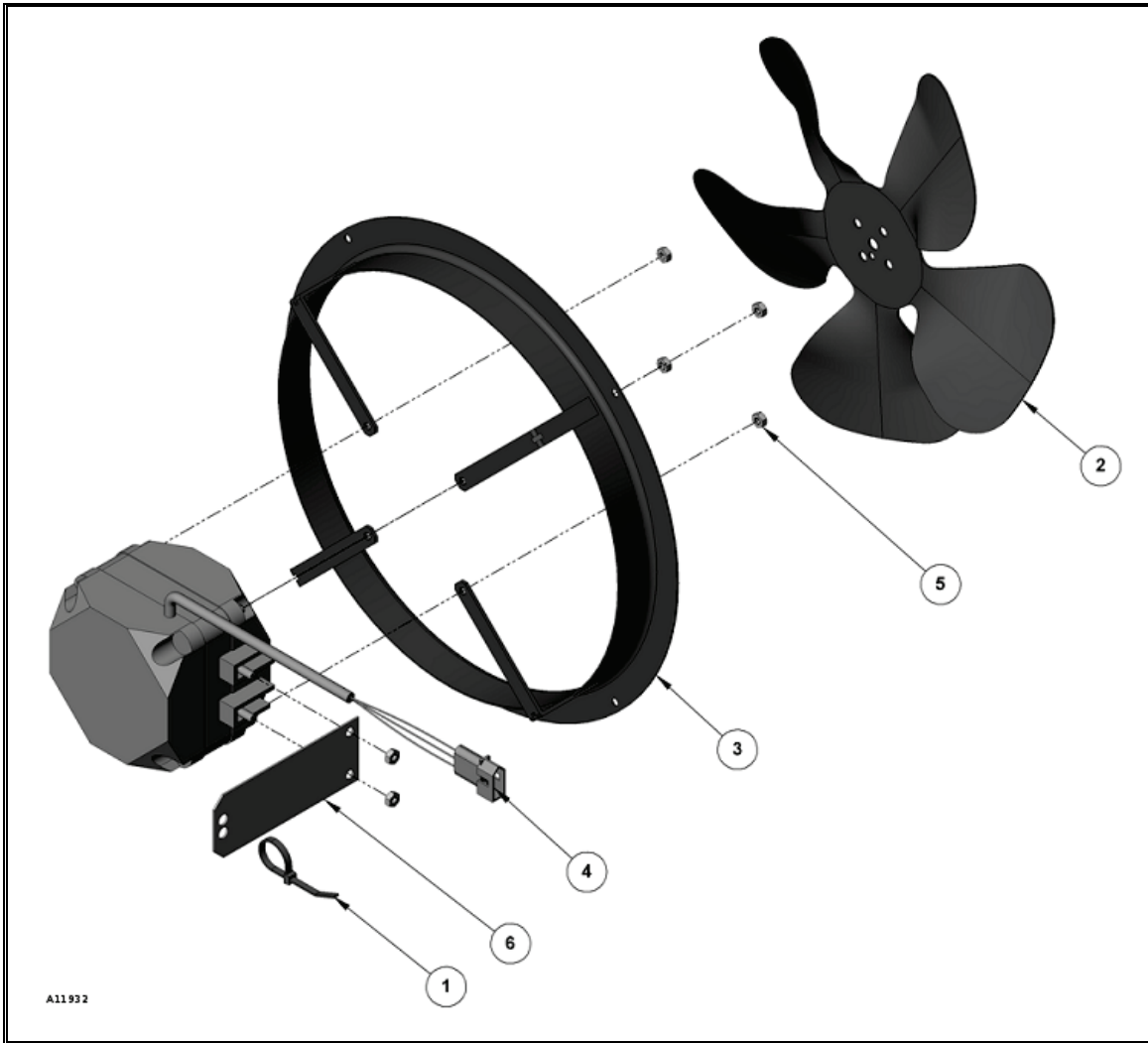
LIST OF PARTS NOT SHOWN

18	4205468.003	1	1	1	1	DRIER BONDED CORE
19	4215048	1	1	1	1	SUCTION LINE TO COMPRESSOR
20	4216098	1	1	1	1	1/4" LIQUID LINE
21	4212284	1	1	1	1	START RELAY (1/3 HP) – 110V
	4218385	-	-	-	-	START RELAY (1/3 HP) – 220V
22	4213752	1	1	1	1	OVERLOAD – 110V
	4213752.001	-	-	-	-	OVERLOAD – 220V

* SPECIFY COLOR
AR AS REQUIRED

† SPECIFY VOLTAGE/ HEATED/UN-HEATED
‡ SPECIFY SOFTWARE VERSION

CONDENSER FAN ASSEMBLY (110V & 220V)



A11932

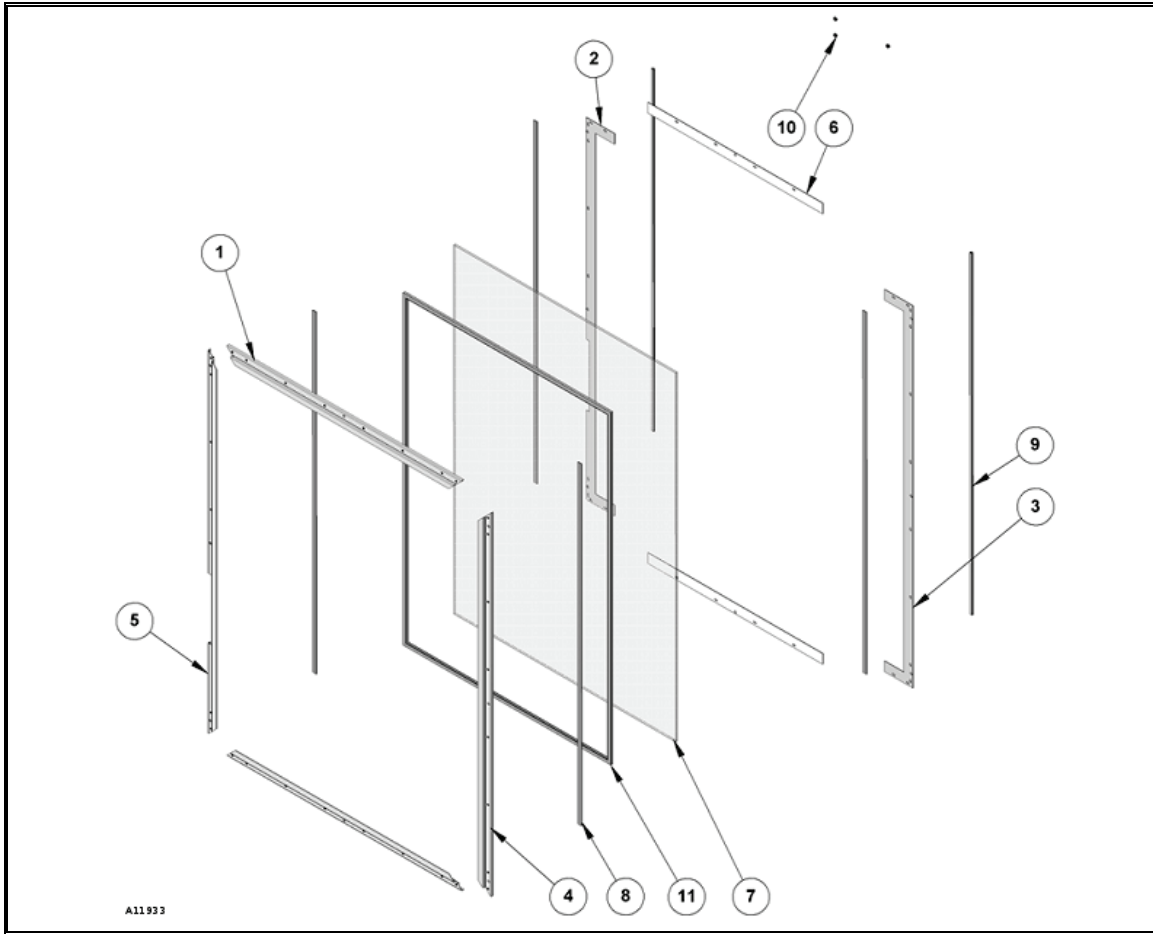
CONDENSER FAN ASSEMBLY PARTS LIST

ITEM NO.	PART NUMBER	3517	3518	3520	3521	DESCRIPTION
1	4033704	1	1	1	1	CABLE TIE 5.6
2	4214313	1	1	1	1	BLADE
3	4214778.001	1	1	1	1	CONDENSOR FAN VENTURI RING
4	4214798	1	1	1	1	16W FAN MOTOR-110V
	4214798.001	-	-	-	-	16W FAN MOTOR-220V
5	4215271	6	6	6	6	M4 X .7 HEX LOCK NUT
6	4215366	1	1	1	1	CONDENSOR FAN CABLE MOUNT

* SPECIFY COLOR
AR AS REQUIRED

† SPECIFY VOLTAGE/ HEATED/UN-HEATED
†† SPECIFY SOFTWARE VERSION

GLASS PROTECTOR ASSEMBLY (3521)



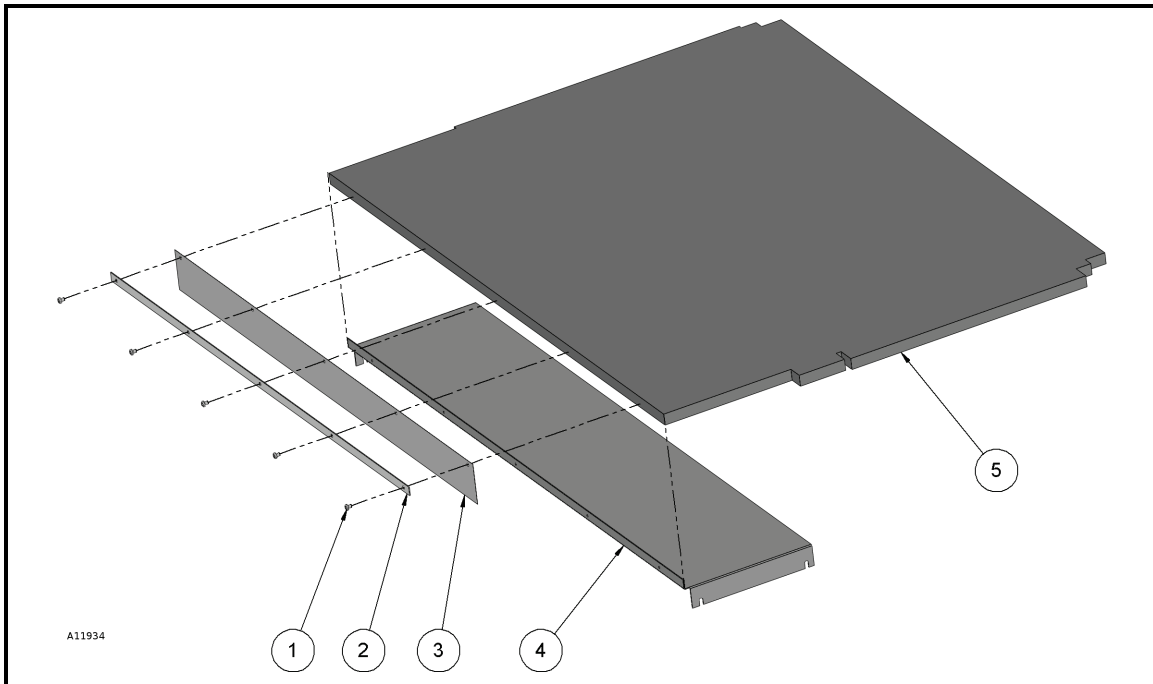
GLASS PROTECTOR ASSEMBLY PARTS LIST (OPTIONAL)

ITEM NO.	PART NUMBER	3521	DESCRIPTION
1	1216912.000330	2	PROTECTIVE GLASS TOP & BOTTOM STAK
2	4215078.001330	1	GLASS RETAINER SIDE
3	4215078.000330	1	GLASS RETAINER SIDE
4	1216907.000330	1	GLASS PROTECTOR STAKE
5	1216907.001330	1	GLASS PROTECTOR STAKE
6	4215073.000330	2	GLASS RETAINER TOP AND BOTTOM
7	4215103	1	PROTECTIVE GLASS
8	4209845.002	13	PROTECTIVE WINDOW SEAL 1/4 "
9	4215365	AR	D-GASKET
10	8800956	AR	8-32 HEX NUT W/ETW
11	4215311.005	1	WINDOW GASKET

* SPECIFY COLOR
AR AS REQUIRED

† SPECIFY VOLTAGE/ HEATED/UN-HEATED
†† SPECIFY SOFTWARE VERSION

INSULATION BARRIER ASSEMBLY (3518)



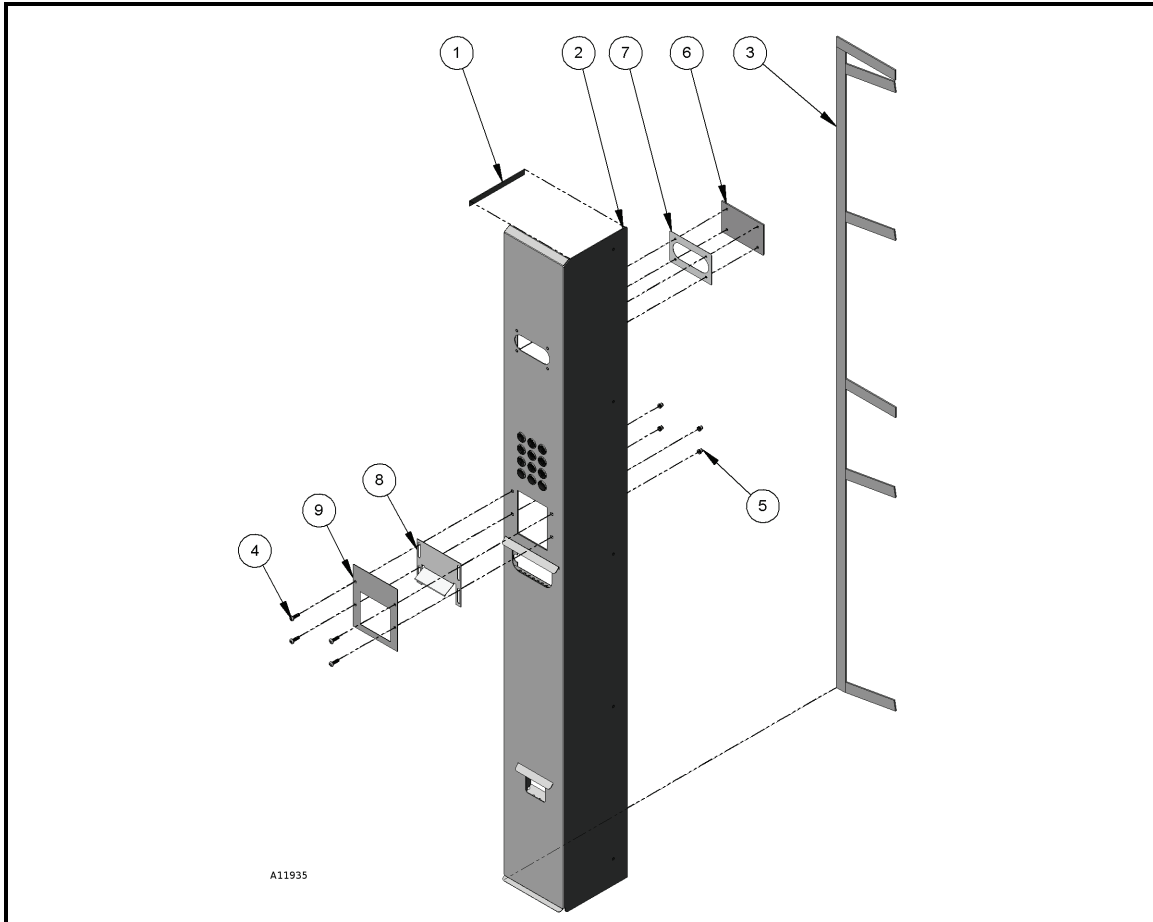
INSULATION BARRIER ASSEMBLY PARTS

ITEM NO	PART NUMBER	3518	DESCRIPTION
1	4201942	5	6-20 X 3/16 PHIL PH TYP B
2	4215058	1	CURTAIN RETAINER PLATE (5W)
	4215057	-	CURTAIN RETAINER PLATE (3W)
3	4215056	1	AIR GAP CURTAIN (5W)
	4215055	-	AIR GAP CURTAIN (3W)
4	4217390	1	FRONT BARRIER BRACE (5W)
	4218875	-	FRONT BARRIER BRACE (3W)
5	4217391	1	INSULATING BARRIER (5W)
	4218876	-	INSULATING BARRIER (3W)

* SPECIFY COLOR
AR AS REQUIRED

† SPECIFY VOLTAGE/ HEATED/UN-HEATED
‡ SPECIFY SOFTWARE VERSION

SELECTOR PANEL COVER ASSEMBLY (3521)



SELECTOR PANEL COVER ASSEMBLY PARTS LIST (OPTIONAL)

ITEM NO.	PART NUMBER	3521	DESCRIPTION
1	4215119	AR	1/8 X 1/2 FOAM TAPE
2	1217477.000330	1	SELECTOR PANEL COVER WELD
3	4215119.001	AR	1/8 X 1 FOAM TAPE
4	4215382	4	10-24 X 3/4 SS PINNED TOR
5	4215383	4	10-24 HEX NUT INSERT
6	4215737	1	DISPLAY WINDOW
7	4215899	1	DISPLAY WINDOW GASKET
8	4218046.000330	1	VALIDATOR DEFLECTOR
9	4218047.000330	1	VALIDATOR DEFLECTOR RING

* SPECIFY COLOR
AR AS REQUIRED

† SPECIFY VOLTAGE/ HEATED/UN-HEATED
†† SPECIFY SOFTWARE VERSION

OPTIONAL SPIRALS

SINGLE SPIRAL - CCW PART NUMBER	DUAL SPIRAL - CW PART NUMBER	SPIRAL SIZE	SPIRAL COUNT	ESTIMATED PRODUCT SIZE INCHES (MM)
4200272.100309	4205532.100309	Candy	15	1.22 (31)
4200272.101309	4205532.101309	Candy	18	1.00 (25)
4200272.102309	4205532.102309	Candy	24	0.71 (18)
4200272.103309	4205532.103309	Candy	30	0.51 (13)
4200272.104309	4205532.104309	Candy	12	1.55 (39)
4200272.105309	4205532.105309	Candy	9	2.10 (53)
4200272.106309	4205532.106309	Candy	6	3.16 (80)
4200272.107309		Snack	10	1.89 (48)
4200272.108309		Snack	12	1.55 (39)
4200272.109309		Snack	15	1.22 (31)
4200272.110309		Snack	7	2.71 (69)
4200272.111309		Snack	8	2.37 (60)
4200272.131309	4205532.131309	Candy	10	1.89 (48)
4200272.132309	4205532.132309	Candy	11	1.72 (44)
4200272.133309		Snack	30	0.51 (13)
4200272.134309	4205532.134309	Snack	18	1.00 (25)
4200272.137309		Snack	11	1.72 (44)
4200272.138309		Snack	6	3.16 (80)
4200272.139309		Snack	5	3.50 (89)
4200272.140309		Snack	12	1.63 (41)
4200272.141309		Candy	29 1/2	0.52 (13)
4200272.142309	4205532.142309	Candy	8	2.37 (60)
4200272.145309	4205532.145309	Candy	5	3.50 (89)
4200272.147309	4205532.147309	Candy	4	4.38 (111)
4200272.148309	4205532.148309	Candy	3	5.80 (147)
4202313.100309		G&M	18/36	1.00 (25)
4202313.102309		G&M	24/48	0.71 (18)
4202313.103309		HiCap	30/60	0.50 (13)
4202313.104309		HiCap	24/48	0.71 (18)
4202313.105309		HiCap	18/36	1.00 (25)
4202313.106309		HiCap	15/30	1.22 (31)
4202313.107309		G&M	20/40	0.86 (22)
4202313.108309		HiCap	12/24	1.55 (39)

* SPECIFY COLOR
AR AS REQUIRED

† SPECIFY VOLTAGE/ HEATED/UN-HEATED
‡ SPECIFY SOFTWARE VERSION

OPTIONAL PRICE SCROLLS

PRICE SCROLL PART NUMBER		SCROLL PRICE RANGE	COUNTRY
4213143.001	FREE AND .35-1.00	(.05 INCREMENTS)	USA
4213143.002	.05-.30 AND 1.05 to 1.45	(.05 INCREMENTS)	USA
4213143.003	1.50 TO 2.20	(.05 INCREMENTS)	USA
4213143.004	2.25 TO 2.95	(.05 INCREMENTS)	USA
4213143.005	3.00 TO 3.70	(.05 INCREMENTS)	USA
4213143.006	3.75 TO 4.45	(.05 INCREMENTS)	USA
4213143.007	4.50 TO 5.20	(.05 INCREMENTS)	USA
4213143.008	5.25 TO 5.95	(.05 INCREMENTS)	USA
4213143.009	6.00 TO 6.70	(.05 INCREMENTS)	USA
4213143.010	6.75 TO 7.45	(.05 INCREMENTS)	USA
4213143.011	7.50 TO 8.20	(.05 INCREMENTS)	USA
4213143.012	8.25 TO 8.95	(.05 INCREMENTS)	USA
4213143.013	9.00 TO 9.70	(.05 INCREMENTS)	USA
4213143.014	9.75 TO 10.45	(.05 INCREMENTS)	USA
4213143.015	11.00 TO 25.00	(1.00 INCREMENTS)	USA
4213143.016	30.00 TO 100.00	(5.00 INCREMENTS)	USA
4213143.017	1.5 TO 8.5	(0.5 INCREMENTS)	MEXICO
4213143.018	9.0 TO 16.0	(0.5 INCREMENTS)	MEXICO
4213143.019	0.5 TO 1.0 AND 16.5 TO 22.5	(0.5 INCREMENTS)	MEXICO
4213143.020	1.00 TO 2.40	(0.10 INCREMENTS)	AUSTRALIA/NZ
4213143.021	2.50 TO 3.90	(0.10 INCREMENTS)	AUSTRALIA/NZ
4213143.022	300 TO 1600	(100 INCREMENTS)	VENEZUELA
4213143.023	1700 TO 3000	(100 INCREMENTS)	VENEZUELA
4213143.024	3100 TO 4400	(100 INCREMENTS)	VENEZUELA
4213143.025	4500 TO 5800	(100 INCREMENTS)	VENEZUELA
4213143.026	5900 TO 7200	(100 INCREMENTS)	VENEZUELA
4213143.027	7300 TO 8600	(100 INCREMENTS)	VENEZUELA
4213143.028	4.00 TO 7.50	(.25 INCREMENTS)	USA
4213143.029	7.75 TO 11.25	(.25 INCREMENTS)	USA
4213143.030	.50 TO 4.00	(.25 INCREMENTS)	USA
4217475.001	FREE AND .40 TO 2.35	(.05 INCREMENTS)	USA
4217475.002	1.5 TO 21.5	(.5 INCREMENTS)	MEXICO
4217475.003	.25 TO 10.25	(.25 INCREMENTS)	USA
4217475.004	1000 TO 3000	(50 INCREMENTS)	VENEZUELA
4217475.005	3000 TO 5000	(50 INCREMENTS)	VENEZUELA
4217475.006	FREE AND 2.40 TO 6.30	(10 INCREMENTS)	AUSTRALIA
421775.007	1.80 to 3.00 3.00 TO 4.60	(.05 INCREMENTS) (.10 INCREMENTS)	USA

* SPECIFY COLOR
AR AS REQUIRED

† SPECIFY VOLTAGE/ HEATED/UN-HEATED
‡ SPECIFY SOFTWARE VERSION

NOTES

The contents of this publication are presented for informational purposes only, and while every effort has been made to ensure their accuracy, they are not to be construed as warranties or guarantees, express or implied, regarding the products or services described herein or their use or applicability. We reserve the right to modify or improve the designs or specifications of such products at any time without notice.



VendNet™
165 North 10th Street
Waukee, Iowa 50263
United States of America



	USA & Canada	International
Service	(800) 833-4411	(515) 274-3641
Parts	(888) 259-9965	
Email	vendnet@vendnetusa.com	
Web Site	www.vendnetusa.com	