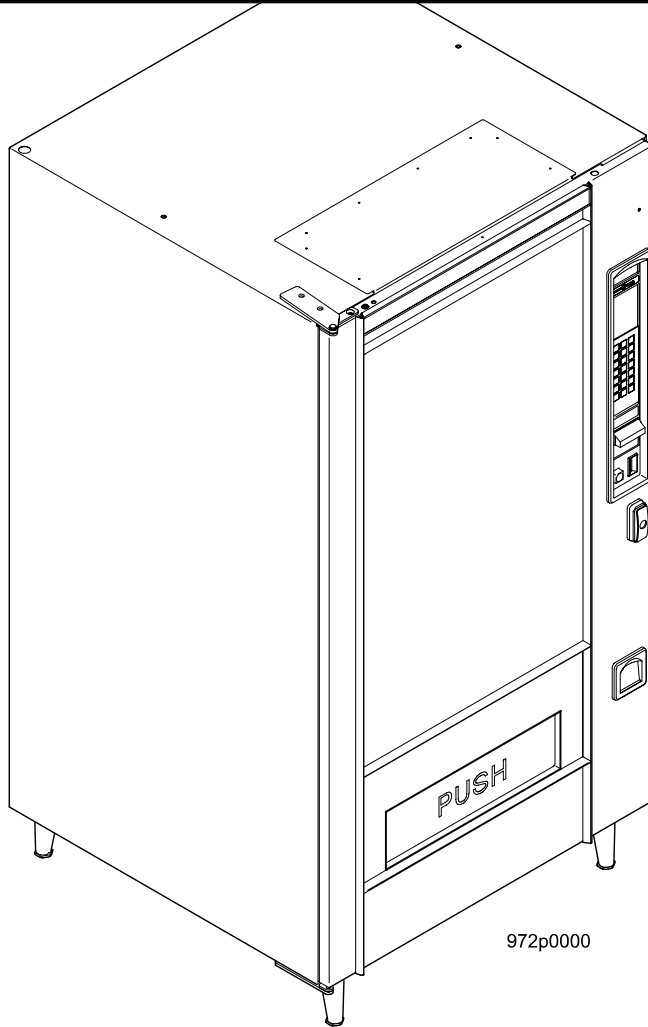


9720001

Model 972

T-Flex



972p0000

PARTS MANUAL

AUTOMATIC



PRODUCTS

A Crane Co. Company

165 Bridgepoint Drive
South St. Paul MN 55075

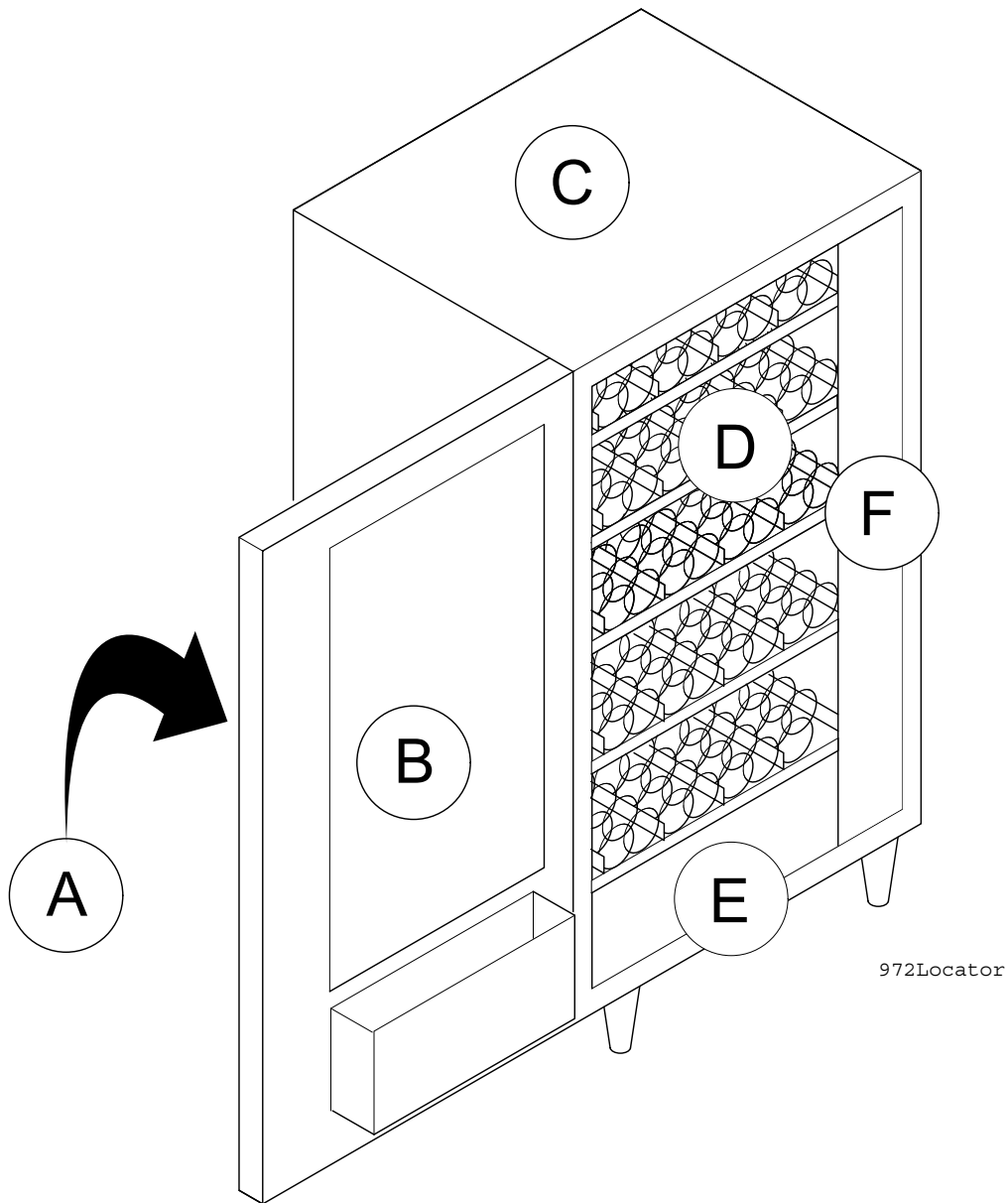
www.automaticproducts.com

Copyright© 01-07



The Right Part, Right Now

9720001



- A - Exterior of Door
- B - Interior of Door
- C - Cabinet
- D - Trays
- E - Refrigeration
- F - Monetary
- G - Miscellaneous

Crane Merchandising Systems Parts and Support:
Parts: 1-800-621-7278 Service: 1-800-628-8363

For faster Service, please have your account number ready before calling.

List of Figures

Section A:	Exterior of Door	
Figure 1:	Door Assy - Exterior of Door.....	2
Section B:	Interior of Door	
Figure 2:	Door Assy - Interior of Door.....	4
Figure 3:	Interior Door Assy.....	6
Figure 4:	Light Bracket Assy.....	8
Figure 5:	Delivery Bin (1 of 4).....	10
Figure 6:	Delivery Bin (2 of 4).....	12
Figure 7:	Delivery Bin (3 of 4).....	14
Figure 8:	Delivery Bin (4 of 4).....	16
Figure 9:	SureVend.....	18
Section C:	Cabinet	
Figure 10:	Cabinet Assy.....	20
Figure 11:	Door Hinge.....	22
Figure 12:	Lighting Channel.....	24
Figure 13:	Evaporator Fan Assy.....	26
Figure 14:	Dual Zone Components Version I Duct System.....	28
Figure 15:	Dual Zone Components Version II Duct System.....	30
Figure 16:	Cabinet Legs.....	32
Figure 17:	Base Plate.....	34
Section D:	Trays	
Figure 18:	Snack Tray Assy.....	36
Figure 19:	Snack Tray Assy - Rear.....	38
Figure 20:	Candy Tray Assy.....	40
Figure 21:	Candy Tray - Rear.....	42
Figure 22:	Bottle Tray.....	44
Figure 23:	Bottle Tray - Rear.....	46
Section E:	Refrigeration	
Figure 24:	Evaporator Pan Assy.....	50
Figure 25:	Refrigeration Assy (1 of 2).....	52
Figure 26:	Refrigeration Assy (2 of 2).....	54
Section F:	Monetary	
Figure 27:	Monetary Assy.....	56
Figure 28:	Coin Mech Bracket.....	58
Figure 29:	Cash Lock Box.....	60
Figure 30:	Control Board.....	62
Figure 31:	Card Reader and Bill Validator Combinations.....	64
Section G:	Miscellaneous	
Figure 32:	Power Panel Assy.....	68

List of Tables

Section A: Exterior of Door

Table 1:	Door Assy - Exterior of Door	3
----------	------------------------------------	---

Section B: Interior of Door

Table 2:	Door Assy - Interior of Door.....	5
Table 3:	Interior Door Assy.....	7
Table 4:	Light Bracket Assy.....	9
Table 5:	Delivery Bin (1 of 4).....	11
Table 6:	Delivery Bin (2 of 4).....	13
Table 7:	Delivery Bin (3 of 4).....	15
Table 8:	Delivery Bin (4 of 4).....	17
Table 9:	SureVend	19

Section C: Cabinet

Table 10:	Cabinet Assy	21
Table 11:	Door Hinge	23
Table 12:	Lighting Channel	25
Table 13:	Evaporator Fan Assy.....	27
Table 14:	Dual Zone Components Version I Duct System.....	29
Table 15:	Dual Zone Components Version II Duct System.....	31
Table 16:	Cabinet Legs	33
Table 17:	Base Plate	35

Section D: Trays

Table 18:	Snack Tray Assy	37
Table 19:	Snack Tray Assy - Rear	39
Table 20:	Candy Tray Assy.....	41
Table 21:	Candy Tray Rear	43
Table 22:	Bottle Tray	45
Table 23:	Bottle Tray - Rear	47
Table 23A:	Price Rolls (For Trays)	48
Table 23B:	Spiral Options.....	49
Table 23C:	Bottle Tray	49

Section E: Refrigeration

Table 24:	Evaporator Pan Assy.....	51
Table 25:	Refrigeration Assy (1 of 2).....	53
Table 26:	Refrigeration Assy (2 of 2).....	55

Section F: Monetary

Table 27:	Monetary Assy.....	57
Table 28:	Coin Mech Bracket.....	59
Table 29:	Cash Box Lock	61
Table 30:	Control Board	63
Table 31:	Card Reader and Bill Validator Combinations.....	65
Table 31A:	Monetary Capabilities.....	66
Table 31B:	Card Reader Options	67
Table 31C:	Bill Validator Options	67
Table 31D:	Coin Mechanism Options	67

Section G: Miscellaneous

Table 32:	Power Panel Assy	69
Table 33:	Harnesses	69, 70
Table 33A:	Bag Assembly	70

Refreshment Center Parts Manual

Notes:

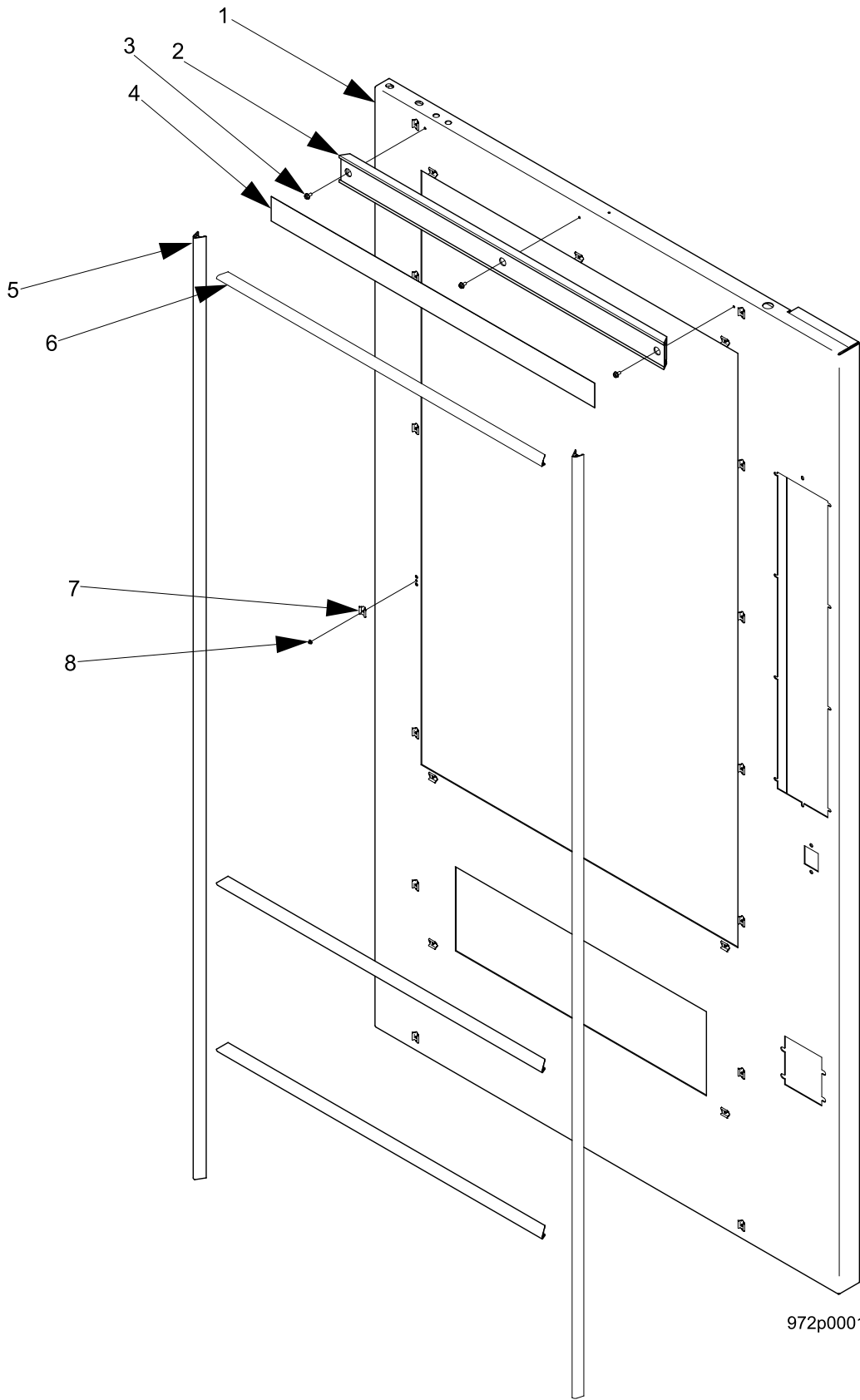


FIGURE 1: DOOR ASSY - EXTERIOR OF DOOR

TABLE 1: DOOR ASSY - EXTERIOR OF DOOR

INDEX	PART NUMBER	DESCRIPTION	QTY
1	9722006	FOAM ASSY-DOOR-AP	1
2	9722004	TRIM-TOP	1
3	1451097	SCREW-#8-32 X .31 HEX HD.-TF-BLK	3
4	9722010	VINYL-HEADER 972	1
5	9722003	EXTRUSION-TRIM-VERTICAL	2
6	9722009	EXTRUSION-TRIM-HORIZONTAL	3
7	9722002	RETAINER TRIM	23
8	3502078	RIVET-POP-.125 DIA X .265	23

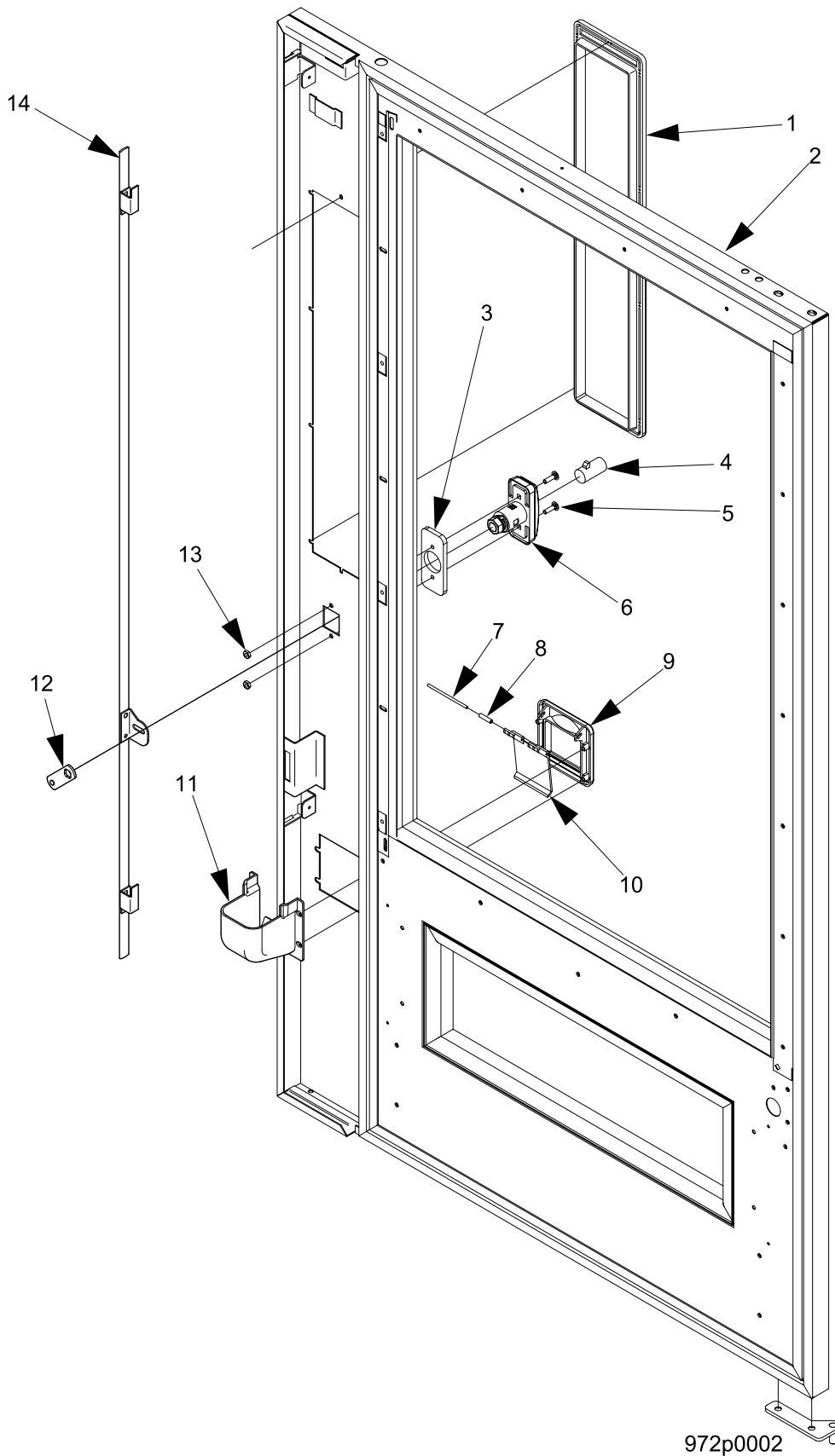
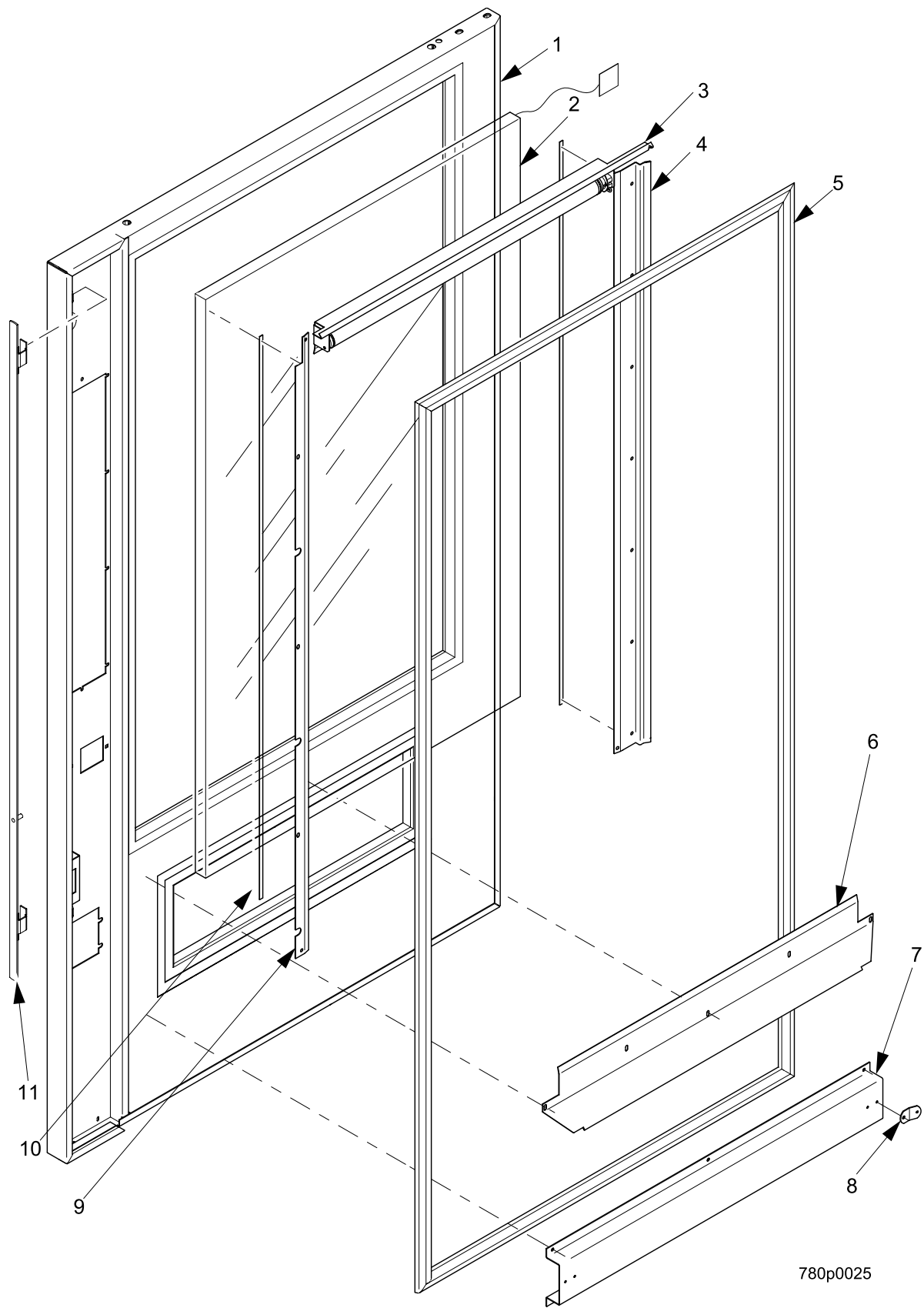


FIGURE 2: DOOR ASSY - INTERIOR OF DOOR

TABLE 2: DOOR ASSY - INTERIOR OF DOOR

INDEX	PART NUMBER	DESCRIPTION	QTY
1	1575106	CASTING-MONETARY FRAME-BLACK	1
2	9722008	WELD ASSY-DOOR-AP-"T" BLACK	1
3	9422000	SPACER-T-HANDLE	1
4	9995002	LOCK CYLINDER ASSY-KEY 002	1
	9995400	LOCK CYLINDER ASSY-KEY 400	
	1670912	LOCK & KEY-ACE II-KEY 400	
	1670913	LOCK & 2 KEYS-ACE II-KEY 400	
	1670914	LOCK & 2 KEYS-ACE II-KEY 002	
5	AP118-10-12	10-24X3/4 CARRIAGE BOLT ZN	2
6	9422006	T-HANDLE-ASSY	1
7	4245085	ROD-LOCK PIVOT	1
8	4245083	SPRING-COIN RETURN DOOR	1
9	1572011	TRIM-COIN CUP-BLACK	1
10	6232031	HINGE ASSY-DOOR-LOWER	1
11	1572010	CUP-COIN RETURN	1
--	9900160	SCREW-#8-18 X 1/2"PHIL.PAN HD.(NOT SHOWN)	4
12	9422002	LOCK ARM ASSY	1
13	AP438-10	10-24 KEKPS NUT ZN	2
14	9422005	LOCK BAR ASSEMBLY	1

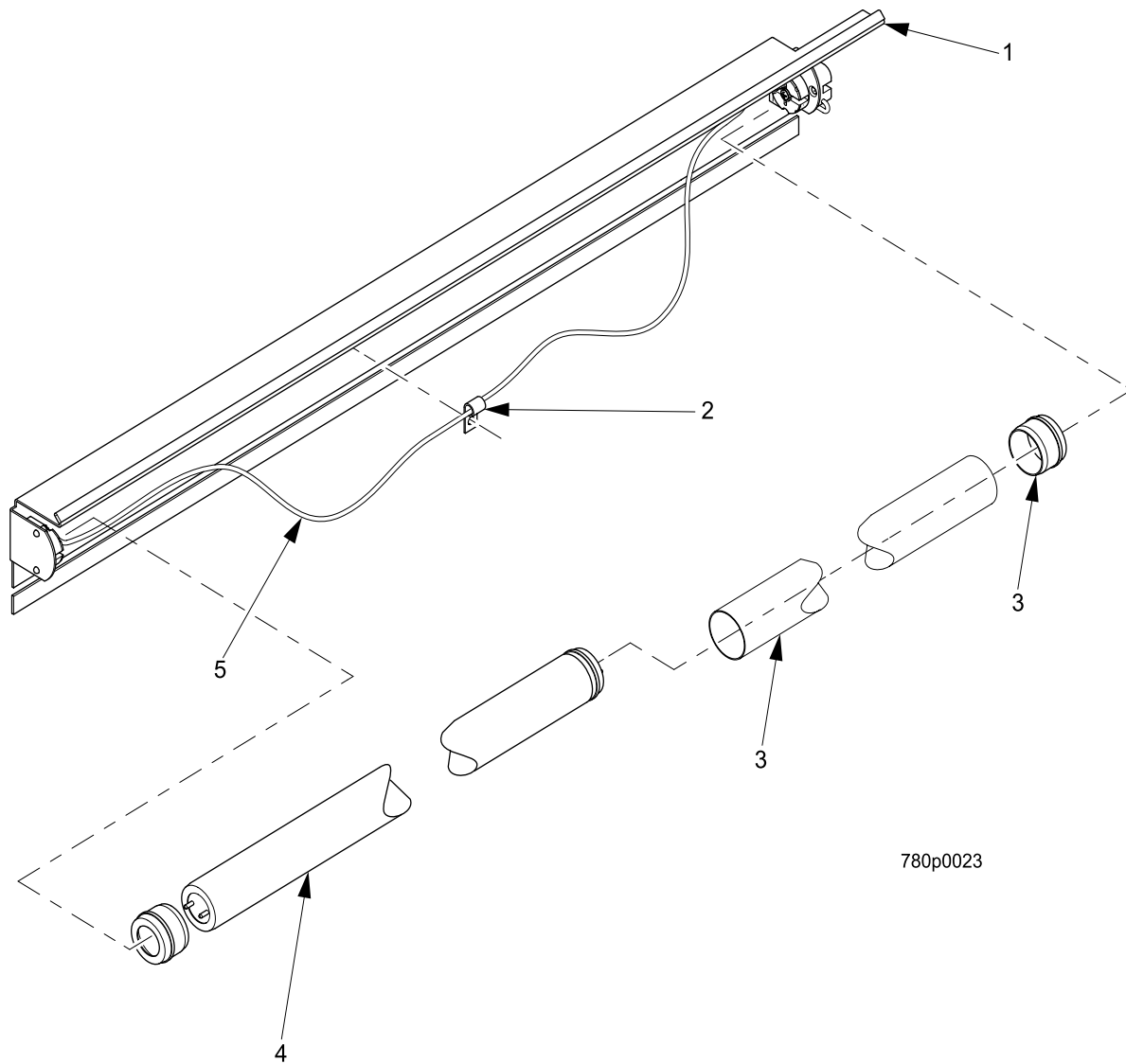


780p0025

FIGURE 3: INTERIOR DOOR ASSY

TABLE 3: INTERIOR DOOR ASSY

INDEX	PART NUMBER	DESCRIPTION	QTY
1	9722006	FOAM ASSY-DOOR-AP	1
2	7802017	GLASS ASSY, 120 VAC	1
	7802072	GLASS ASSY, 230 VAC	1
3	7802050	CHANNEL-GLASS RETAINER	2
4	7802011	GASKET DOOR BLACK	1
5	--	ASSY-BULB & BRACKET (SEE TABLE 4 FOR DETAILS)	--
6	7802031	DEFLECTOR-FRONT-DELIVERY-PAN	1
7	7802049	BRACE-DOOR	1
8	4301285	BRACKET-DOOR CHAIN	1
9	9422005	LOCK BAR ASSEMBLY	1



780p0023

FIGURE 4: LIGHT BRACKET ASSY

TABLE 4: LIGHT BRACKET ASSY

INDEX	PART NUMBER	DESCRIPTION	QTY
1	7802051	BRACKET LIGHT	1
2	2342315	CLIP-WIRE HARNESS	2
3	7802019	SAFETY SLEEVE & END CAP ASSY	1
4	6732034	LAMP-FLUORESCENT-18 WATT	1
5	7809005	HARNESS-LIGHT&FILTER ASSY	1
--	2302218	STARTER-FLSCT LAMP-FS-25(NOT SHOWN)	1

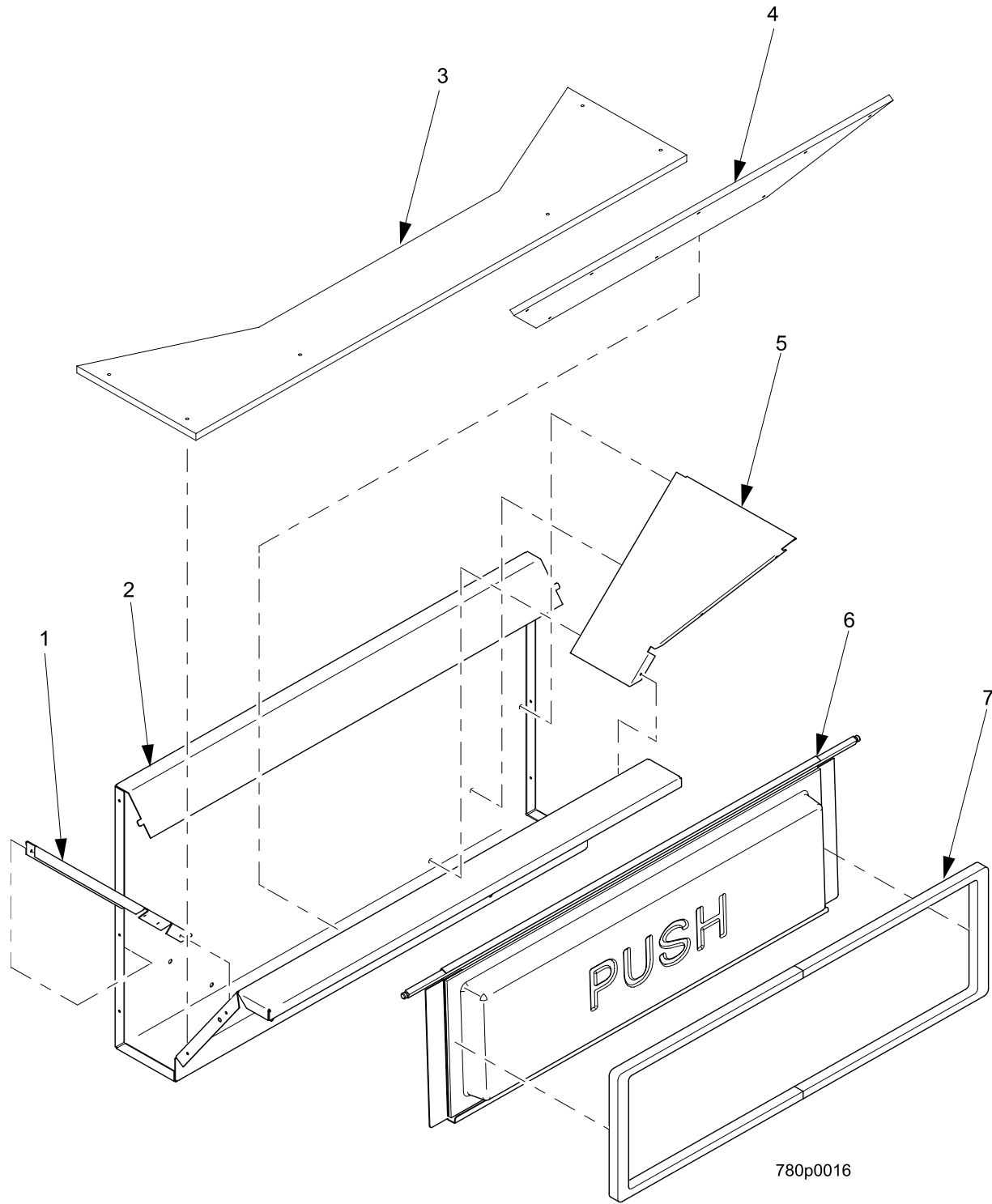


FIGURE 5: DELIVERY BIN (1 OF 4)

TABLE 5: DELIVERY BIN (1 OF 4)

INDEX	PART NUMBER	DESCRIPTION	QTY
--	7802010	DELIVERY PAN ASSEMBLY-RC1	--
1	7802030	BAFFLE-DELIVERY PAN-LEFT	1
2	7802024	DELIVERY PAN	1
3	7802077	PAD-BOTTOM & SIDES - RC-1	1
4	7802078	PAD-FRONT-RC-1	1
5	7802035	BAFFLE-DELIVERY PAN-RIGHT	1
6	7802036	VEND DOOR ASSY-FOAMED	1
7	7802018	GASKET-VEND DOOR	1

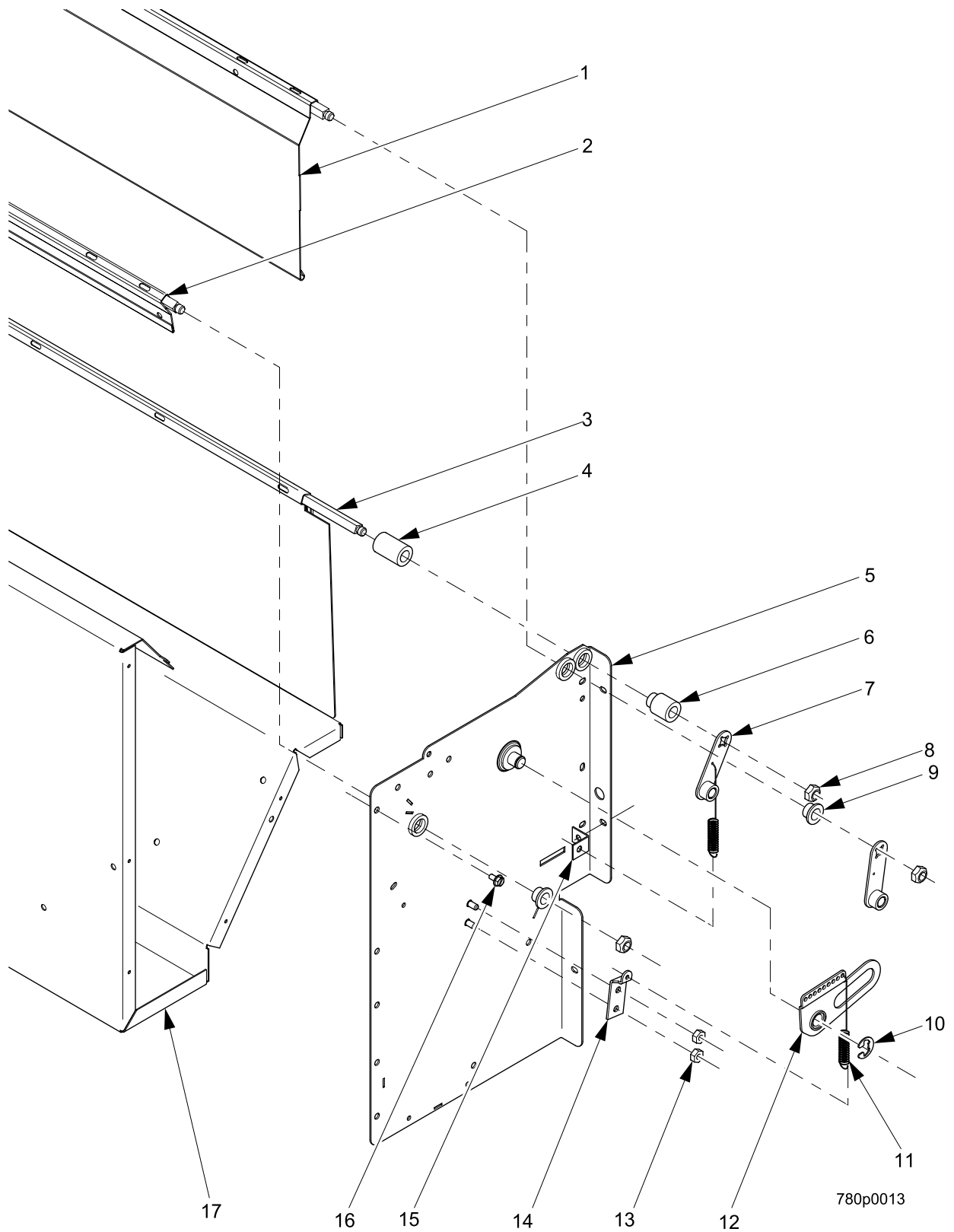


FIGURE 6: DELIVERY BIN (2 OF 4)

TABLE 6: DELIVERY BIN (2 OF 4)

INDEX	PART NUMBER	DESCRIPTION	QTY
1	7802033	DOOR ASSEMBLY-ANTIPIILFERAGE	1
2	7802032	DOOR ASSEMBLY - REAR	1
3	7802036	VEND DOOR ASSY-FOAMED	1
4	1572315	SPACER-DELIVERY DOOR	2
5	1572425	SIDE PLATE ASSEMBLY-R.H.	1
6	1572416	SLEEVE-DELIVERY DOOR	2
7	1572353	ARM ASSEMBLY-SPRING ASSIST	1
8	9900184	NUT 1/4-20 SELF-LOCKING	3
9	1572452	SLEEVE-PILFER DOOR-L.H.	1
10	9900437	RETAINING RING REINF E TYP.375	1
11	1572420	SPRING	1
12	1572423	ACTUATOR ASSY.-SPRING ASSIST	1
13	9900081	NUT #8-32 KEPS ZINC PLATE	2
14	1572421	ANCHOR-SPRING	1
15	7802073	ANCHOR-SPRING	1
16	4721035	SCREW-#8-18 X .38-LGM	1
17	7802024	DELIVERY PAN	1

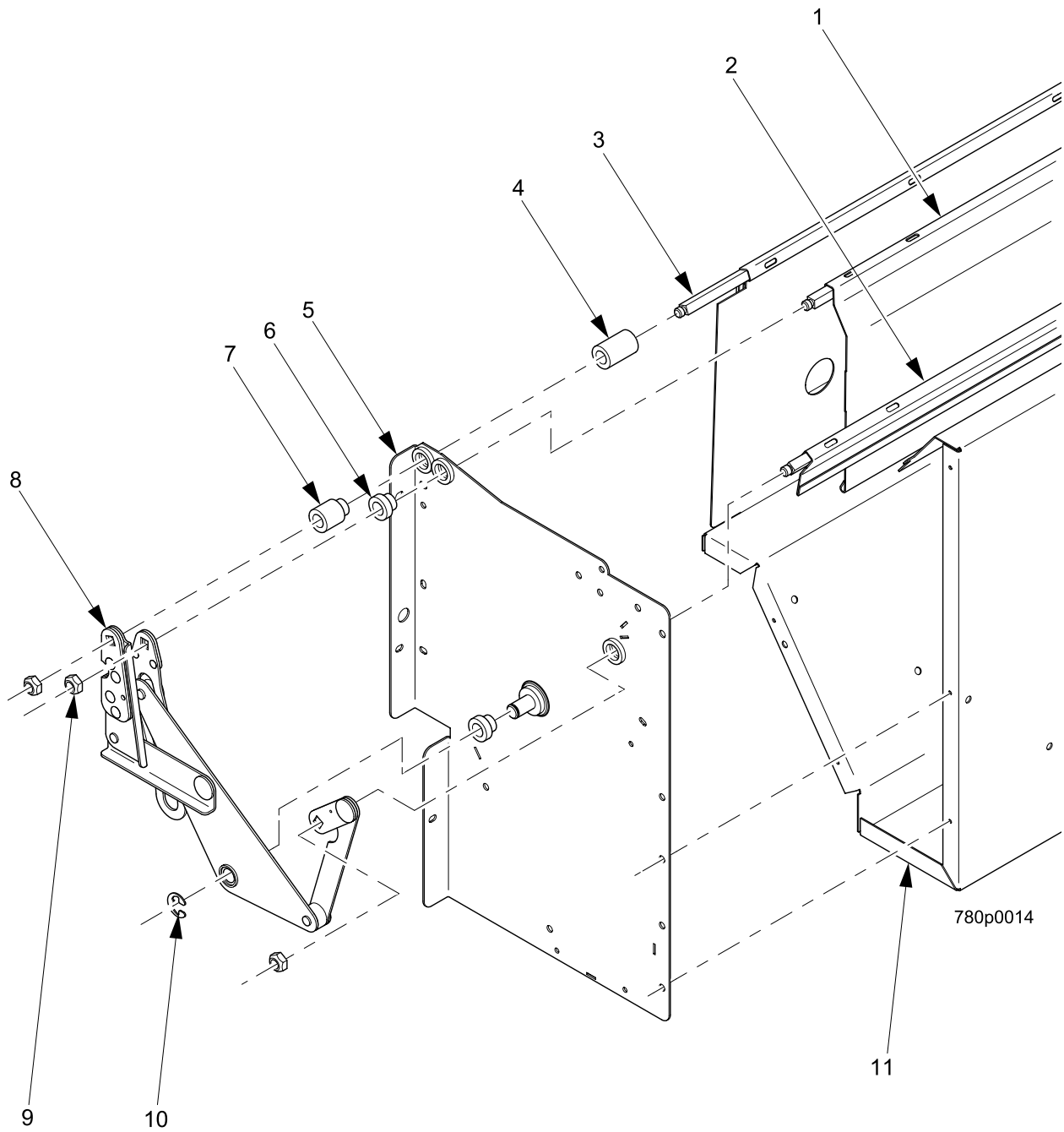


FIGURE 7: DELIVERY BIN (3 OF 4)

TABLE 7: DELIVERY BIN (3 OF 4)

INDEX	PART NUMBER	DESCRIPTION	QTY
1	7802033	DOOR ASSEMBLY-ANTIPILFERAGE	1
2	7802032	DOOR ASSEMBLY - REAR	1
3	7802036	VEND DOOR ASSY-FOAMED	1
4	1572315	SPACER-DELIVERY DOOR	1
5	1572424	SIDE PLATE ASSEMBLY-L.H.	1
6	1572417	SLEEVE-PILFER & REAR DR.-R.H.	1
7	1572416	SLEEVE-DELIVERY DOOR	1
8	1572410	LINKAGE ASSEMBLY-R.H.	1
9	9900184	NUT 1/4-20 SELF-LOCKING	3
10	9900437	RETAINING RING REINF E TYP.375	1
11	7802024	DELIVERY PAN	1

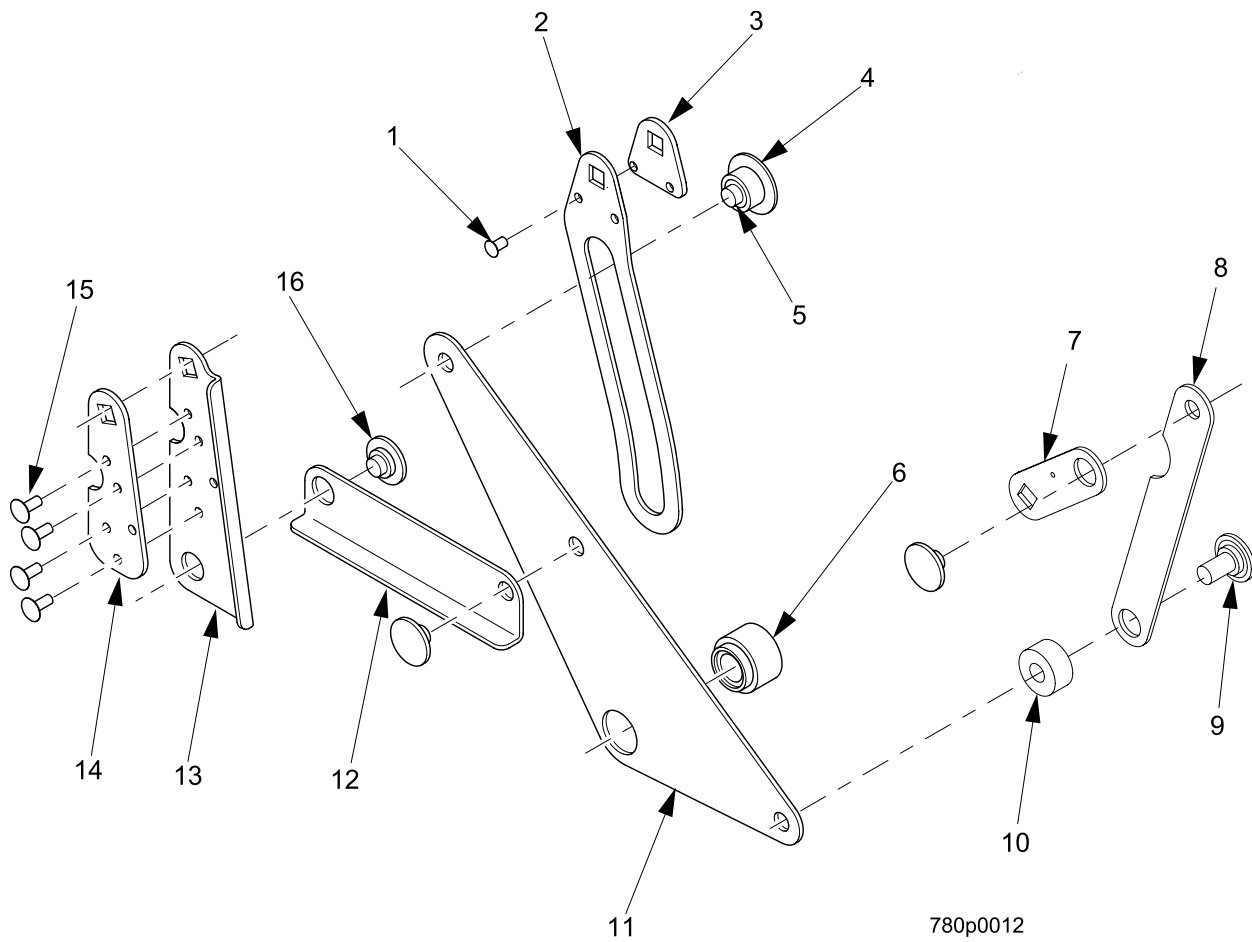
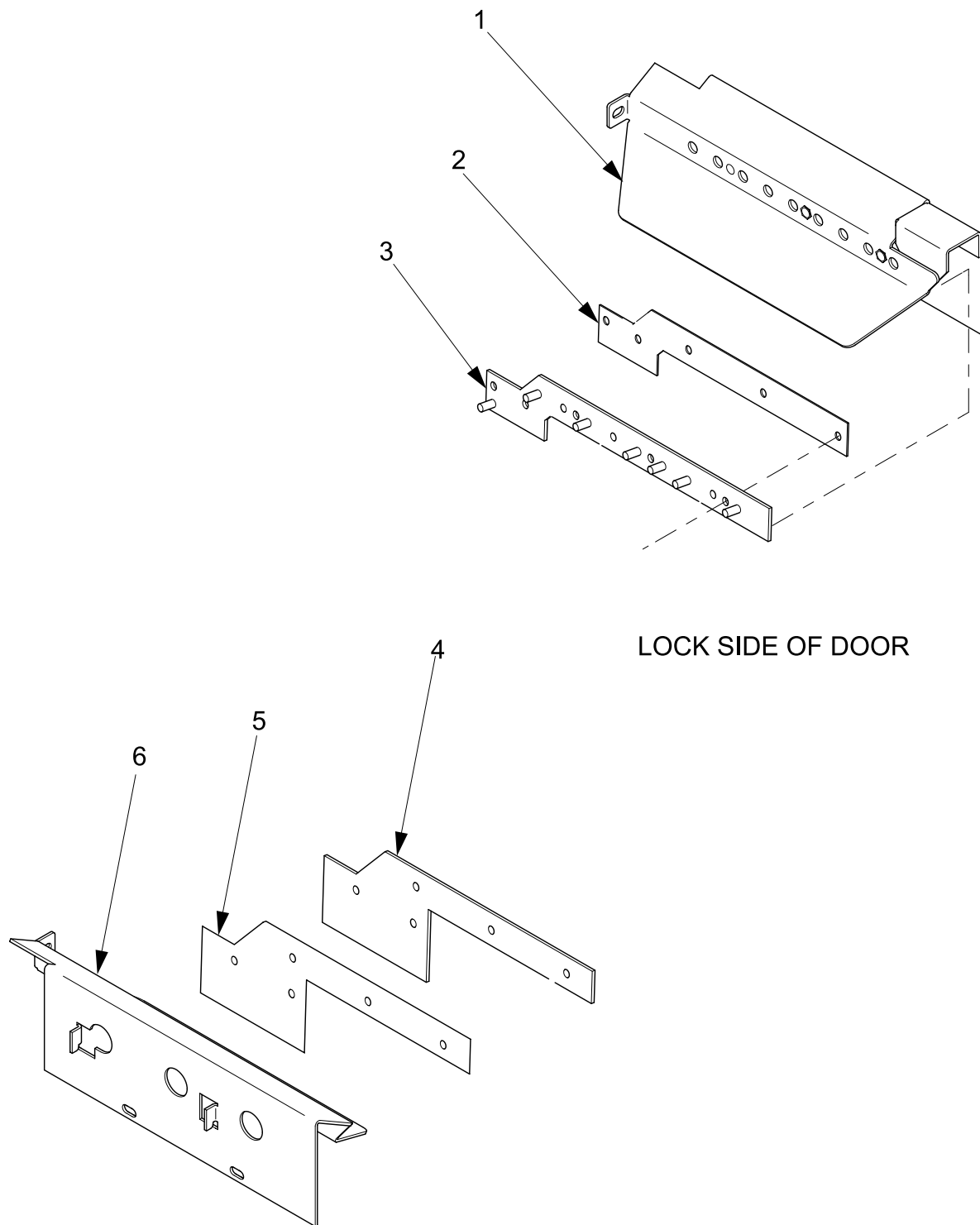


FIGURE 8: DELIVERY BIN (4 OF 4)

TABLE 8: DELIVERY BIN (4 OF 4)

INDEX	PART NUMBER	DESCRIPTION	QTY
1	9900141	RIVET SEMI-TUBULAR.120 D.X.203	2
2	1572334	ARM-PILFER.DOOR-72DEG(REF.ITEM)	1
3	1572335	PLATE-BACKING-PILFER	1
4	1572319	ROLLER-INTERMEDIATE ARM ASSY	1
5	1572320	STUD-INTERMEDIATE ARM ASSY	1
6	1572316	COLLAR-INTERMEDIATE ARM	1
7	1572387	ARM-REAR-DELIVERY DOOR	1
8	1572386	LINK-REAR-DELIVERY DOOR	1
9	1572408	SPACER-STUD	1
10	1572407	STUD-LINKAGE ASSY-LONG	1
11	1572304	ARM-INTRMED.-DEL.DOOR(REF.ITEM)	1
12	1572303	LINK-INTERMED.-DEL.DOOR	1
13	1572356	ARM-DEL.DR-20.5DEG(REF.ITEM)	1
14	1572357	PLATE-BACKING-20.5 DEG.	2
15	1572330	RIVET-SEMI-TUBULAR-.120 DIA.X	4
16	1572318	STUD-LINKAGE ASSEMBLY	3



LOCK SIDE OF DOOR

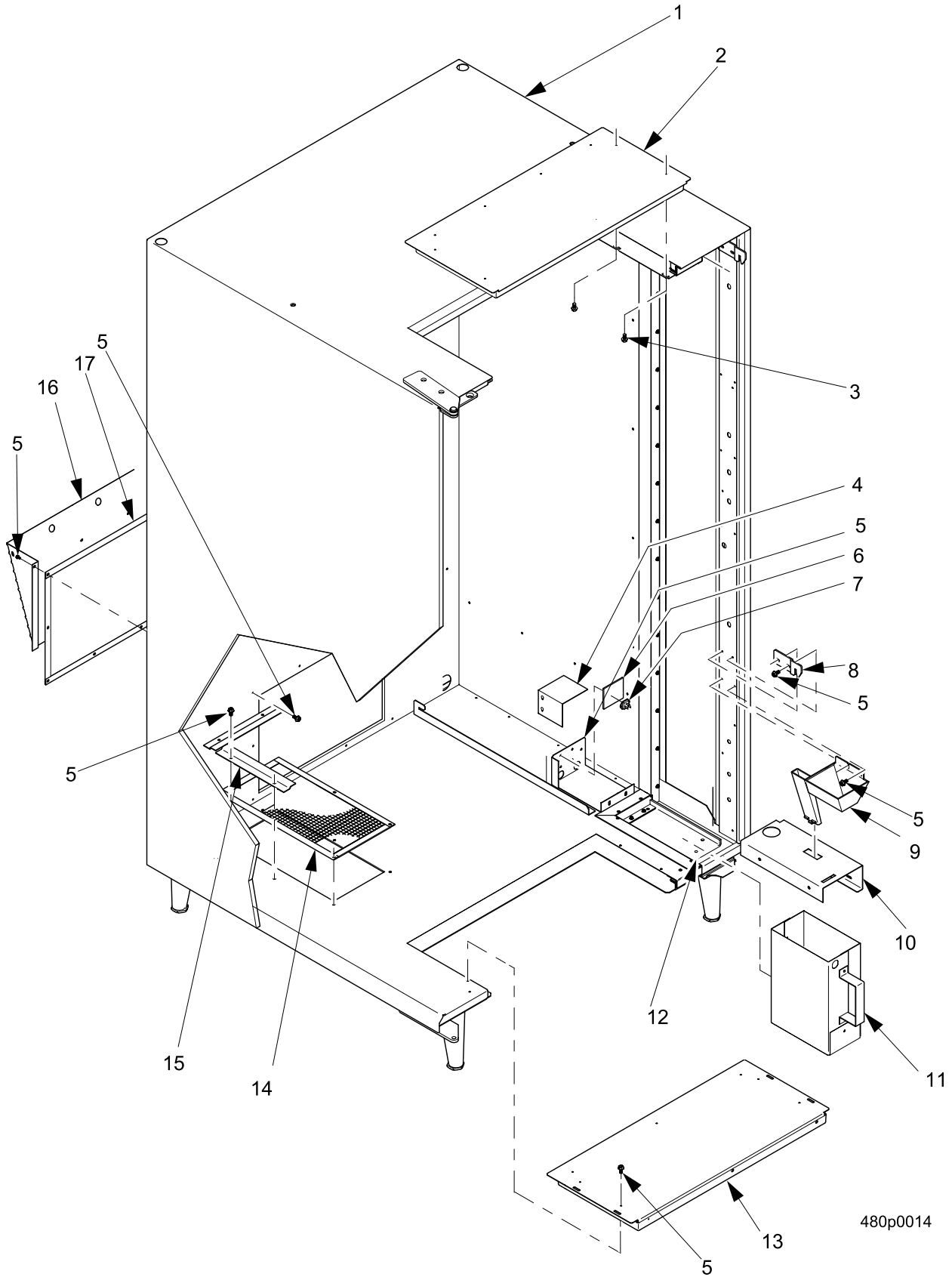
HINGE SIDE OF DOOR

780p0051

FIGURE 9: SUREVEND

TABLE 9: SUREVEND

INDEX	PART NUMBER	DESCRIPTION	QTY
1	7802043	BRKT-W/A-EMITTER-SURE VEND	1
2	1672050	PAPER BACKING-LT PCB-SURE VEND	1
3	1676011	PCB ASSY-PRODUCT DET.-RECEIVER	1
4	1676000	PCB ASSY-PRODUCT DET.-EMITTER	1
5	1672051	PAPER BACKING-RT PCB-SURE VEND	1
6	7802034	SENSOR BRK ASSY-RECEIVER-SV	1

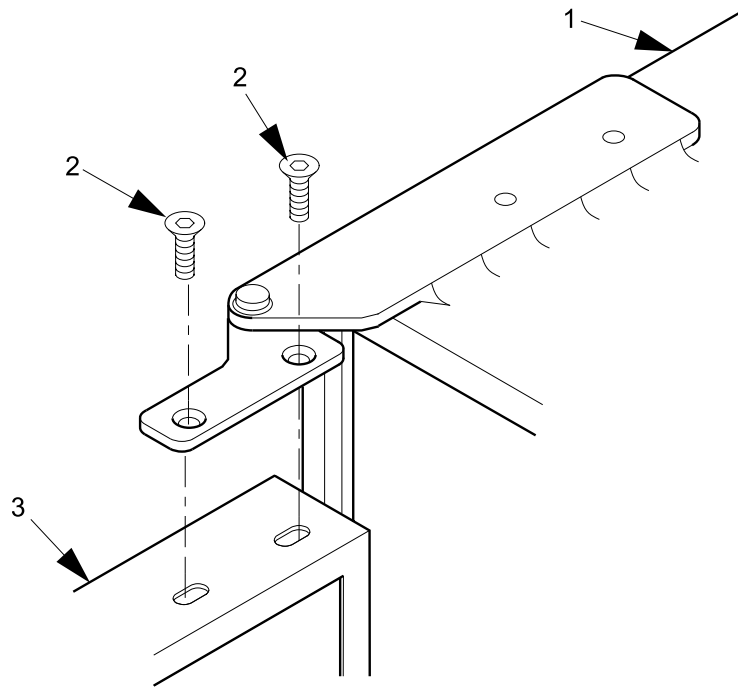


480p0014

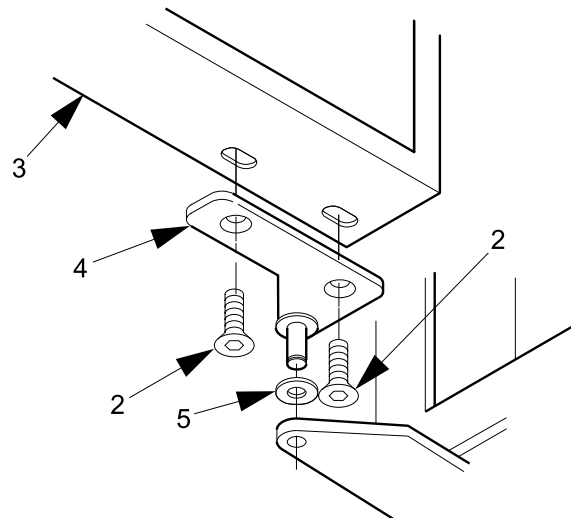
FIGURE 10: CABINET ASSY

TABLE 10: CABINET ASSY

INDEX	PART NUMBER	DESCRIPTION	QTY
1	7801107	FOAMED CABINET ASSEMBLY	1
2	7801120	KNOCKOUT-TOP ASSEMBLY	1
3	1451097	SCREW-#8-32X.31 HEX HD.TF-BLK.	4
4	7801168	COVER TRIAC	1
5	7801143	BRACKET MONETARY TRIAC	1
--	9989887	PCB ASSY - RC-I TRIAC	--
6	9989886	PCB-RC-1 TRIAC	1
7	9983778	TRIAC-35A-600V	1
8	1571074	LOCK ARM-CABINET	2
9	6231242	CHUTE-PAYOUT	1
10	7801074	TOP HOUSING MONEY BOX	1
11	7801073	MONEY BOX ASSY.	1
12	7801075	FLOOR HOUSING MONEY BOX	1
13	7801124	KNOCKOUT-BOTTOM ASSEMBLY	1
14	4321150	SCREEN-INLET AIR	1
15	7801147	FRAME INLET SCREEN	1
16	7801154	OUTLET DIFFUSER	1
17	4321156	SCREEN-OUTLET AIR	1



UPPER DOOR HINGE ASSY



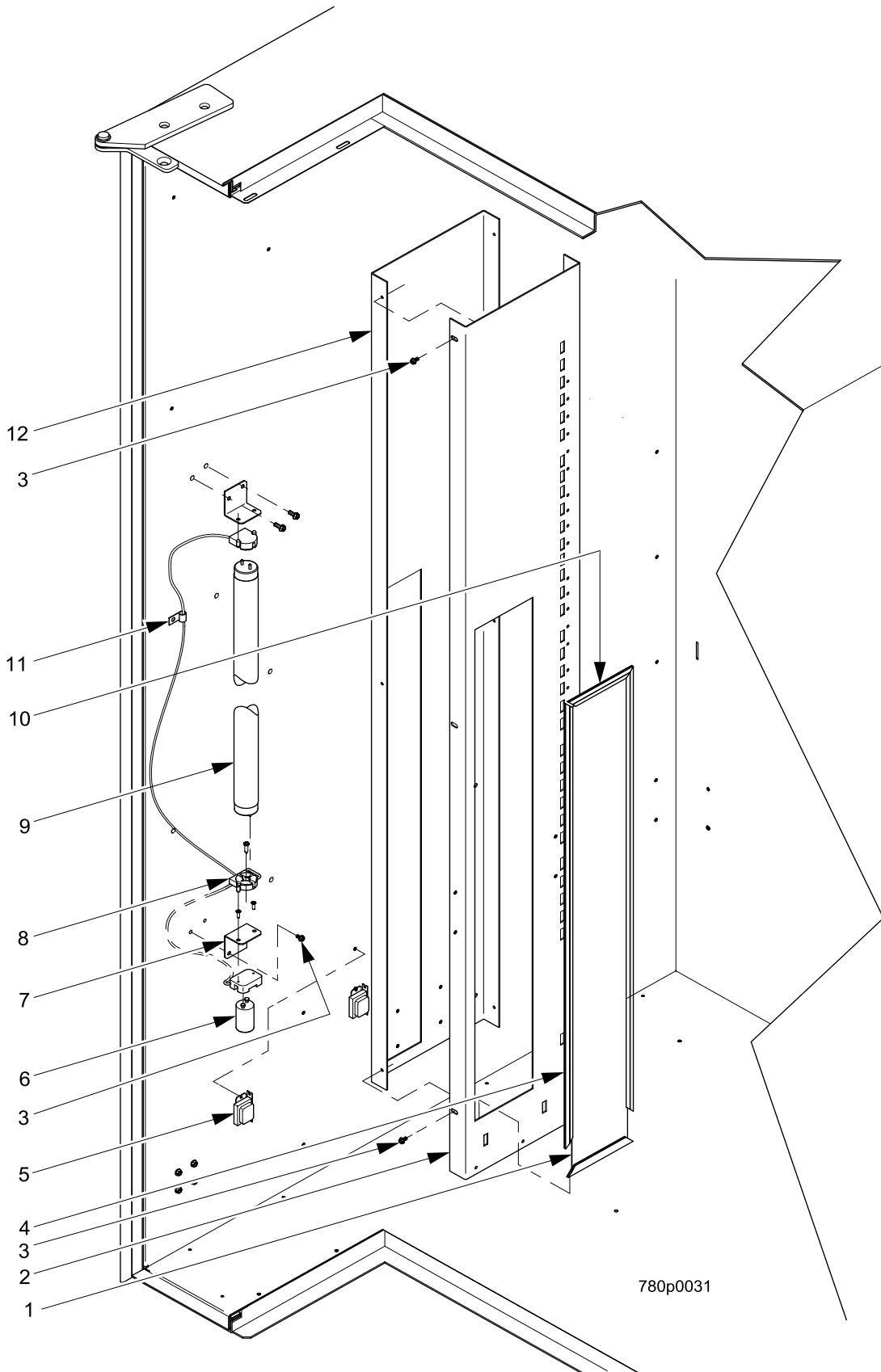
780p0041

LOWER DOOR HINGE ASSY

FIGURE 11: DOOR HINGE

TABLE 11: DOOR HINGE

INDEX	PART NUMBER	DESCRIPTION	QTY
1	7801096	WELD ASSY CABINET(REF.ITEM)	--
2	6232036	SCREW-5/16-18X.75 FLT.HDSOCKET	4
3	7802062	WELD ASSY-DOOR-GPL-"T" BLACK	1
4	6232031	HINGE ASSY-DOOR-LOWER	1
5	4242145	BEARING-THRUST-LOWER HINGE KB	1



780p0031

FIGURE 12: LIGHTING CHANNEL

TABLE 12: LIGHTING CHANNEL

INDEX	PART NUMBER	DESCRIPTION	QTY
1	7801125	LEXAN PANEL	1
2	7801142	CHANNEL RAIL MNT FL OUTER	1
3	1451097	SCREW-#8-32X.31 HEX HD.TF-BLK.	4
4	7801126	FRAME LONG	2
5	3151058	BALLAST ASSY-14/20 WATT-120V	2
	6332009	BALLAST ASSY-18 WATT-230V	
6	2302218	STARTER-FLSCT LAMP-FS-25	1
7	7801153	BRACKET LIGHT	2
8	7809005	HARNESS-LIGHT & FILTER ASSY	1
9	6732034	LAMP-FLUORESCENT-18 WATT	1
10	7801127	FRAME SHORT	2
11	1211161	CABLE CLAMP-RICHCO#N4	2
12	7801141	CHANNEL RAIL MNT FL INNER	1

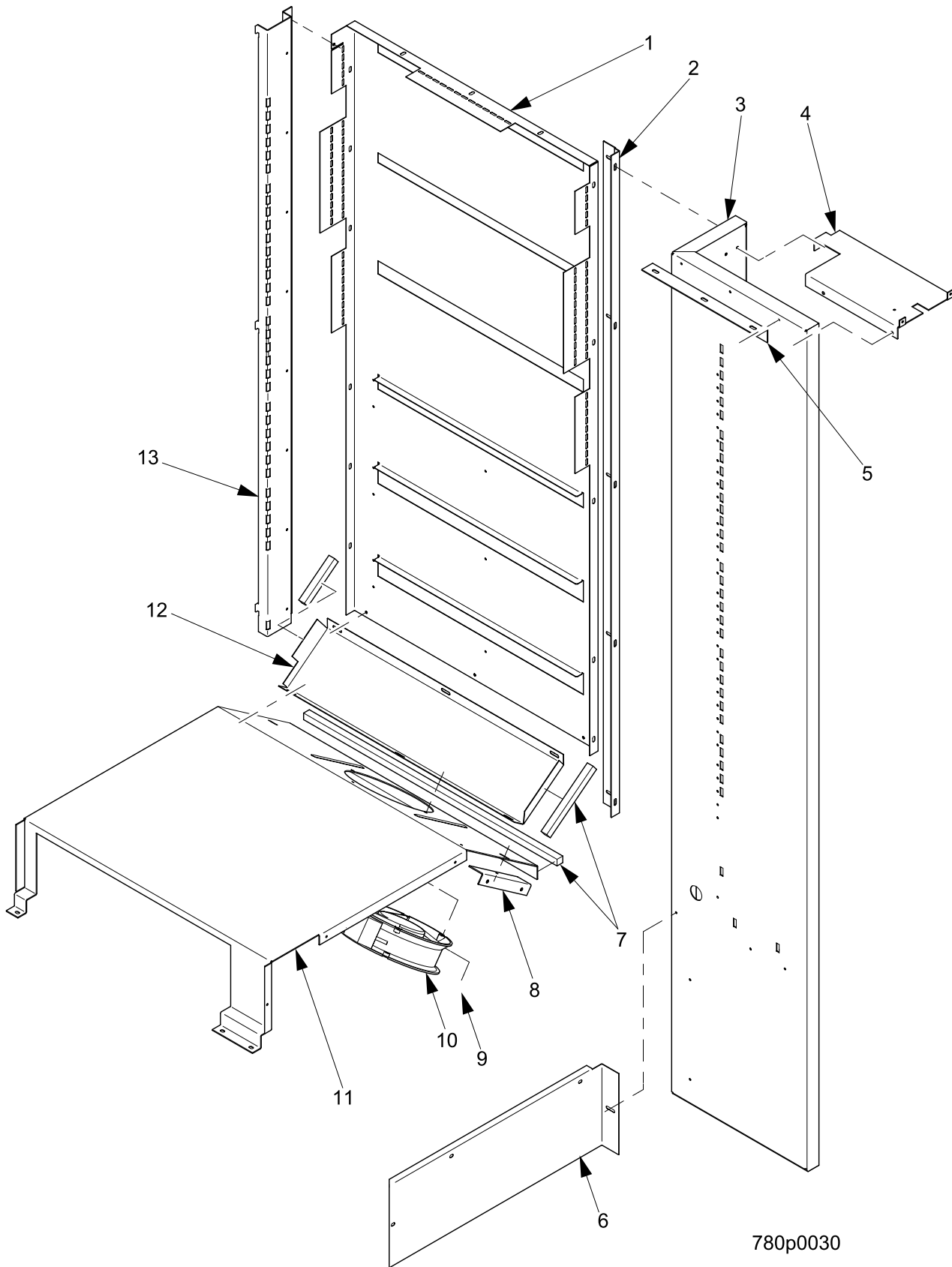


FIGURE 13: EVAPORATOR FAN ASSY

TABLE 13: EVAPORATOR FAN ASSY

INDEX	PART NUMBER	DESCRIPTION	QTY
1	7801155	PANEL AIR SUPPLY	1
2	7801144	BRACKET MONETARY LONG	1
3	7801131	PANEL MONETARY ASSY FORWARD	1
4	7801078	BRACKET-ALIGNMENT	1
5	7801151	BRKT UPPER MONETARY ANGLE	1
6	7801152	FRONT EVAPORATOR COVER	1
7	4744031	SEAL-.50 X.50	87
8	7801150	ANGLE-FAN-SUPPORT	2
9	3104124	SCREW-#8-32 X 5/8 PHS SS	2
--	4402043	NUT-#8-32 W/L.W.-S.S. (NOT SHOWN)	2
10	4314014	FAN-EVAPORATOR-AXIAL-110V	1
	7804013	FAN-EVAPORATOR-AXIAL-230V	1
11	7801145	PANEL-EVAPORATOR-COVER	1
12	7801148	PANEL FAN ACCESS	1
13	7801139	CHANNEL RAIL MOUNT RR	1

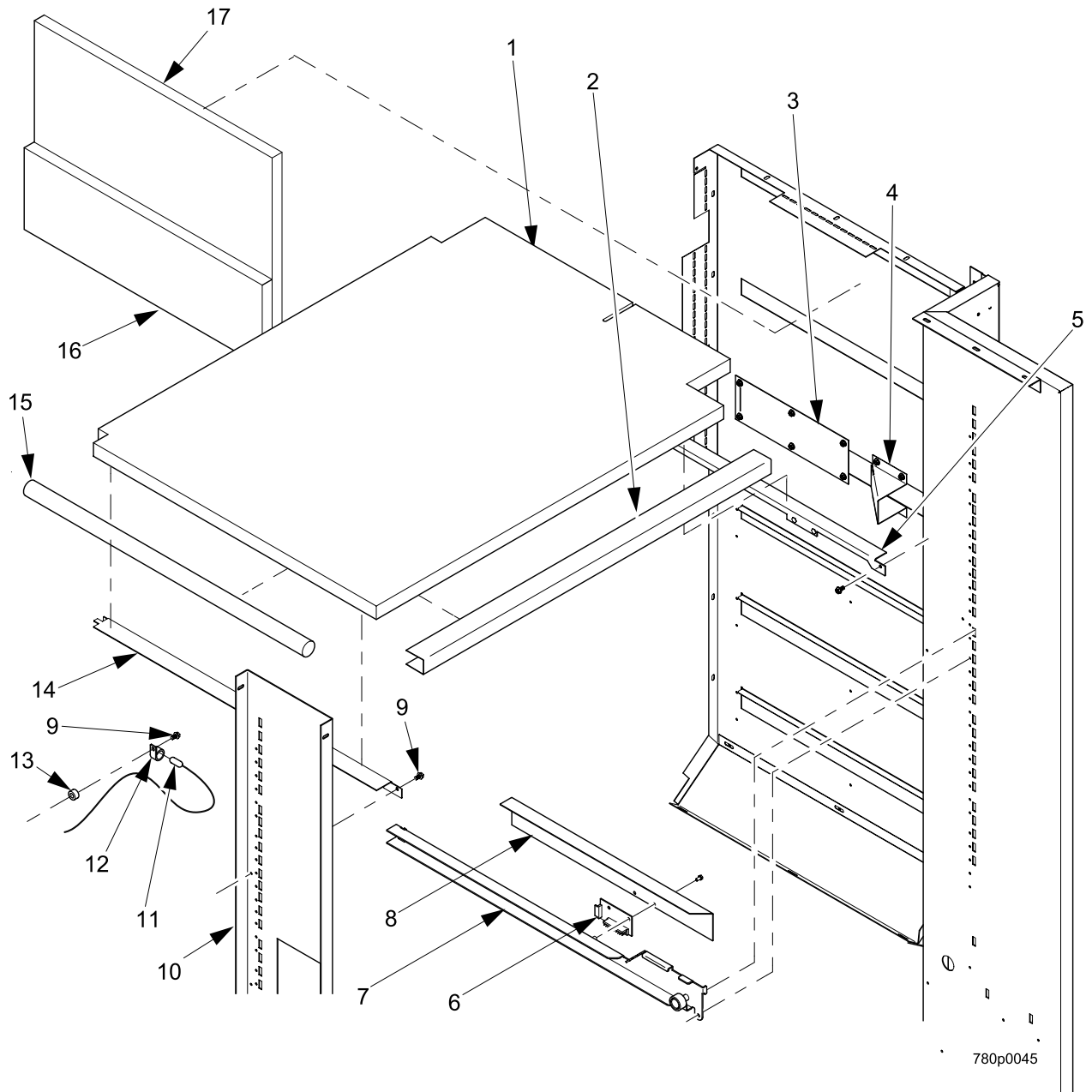


FIGURE 14: DUAL ZONE COMPONENTS VERSION I DUCT SYSTEM

TABLE 14: DUAL ZONE COMPONENTS VERSION I DUCT SYSTEM

INDEX	PART NUMBER	DESCRIPTION	QTY
1	7801165	DIVIDER SHELF	1
2	7801166	COVER FRONT EDGE BARRIER	1
3	7801175	AIR PLATE-USED FOR TWO TRAY CONFIGURATION ONLY	1
4	7801174	AIR DEFLECTOR-USED FOR TWO TRAY CONFIGURATION ONLY	1
5	7801181	RAIL-RH-THERM BARRIER W/STANDO	1
6	1596014	PCB ASSEMBLY-TRAY	1
7	7801049	GUIDE RAIL AY R.H. W/STANDOFFS	1
--	7801046	TRAY GUIDE RAIL ASSY-L.H.(NOT SHOWN)	1
8	7801052	SHIELD-TRAY RAIL-PCB	1
9	1451097	SCREW-#8-32X.31 HEX HD.TF-BLK.	2
10	7801142	CHANNEL RAIL MNT FL OUTER	1
11	9987852	PROBE-TEMP.SENSOR	1
12	1211161	CABLE CLAMP-RICHCO#N4	1
13	4302134	SPACER-P.C.BOARD	1
14	7801159	RAIL-LH-THERMAL BARRIER	1
15	4241148	INSULATION-ROD-.50	25
16	7801170	INSULATION BOARD-SMALL	1
17	7801169	INSULATION BOARD-LARGE	1

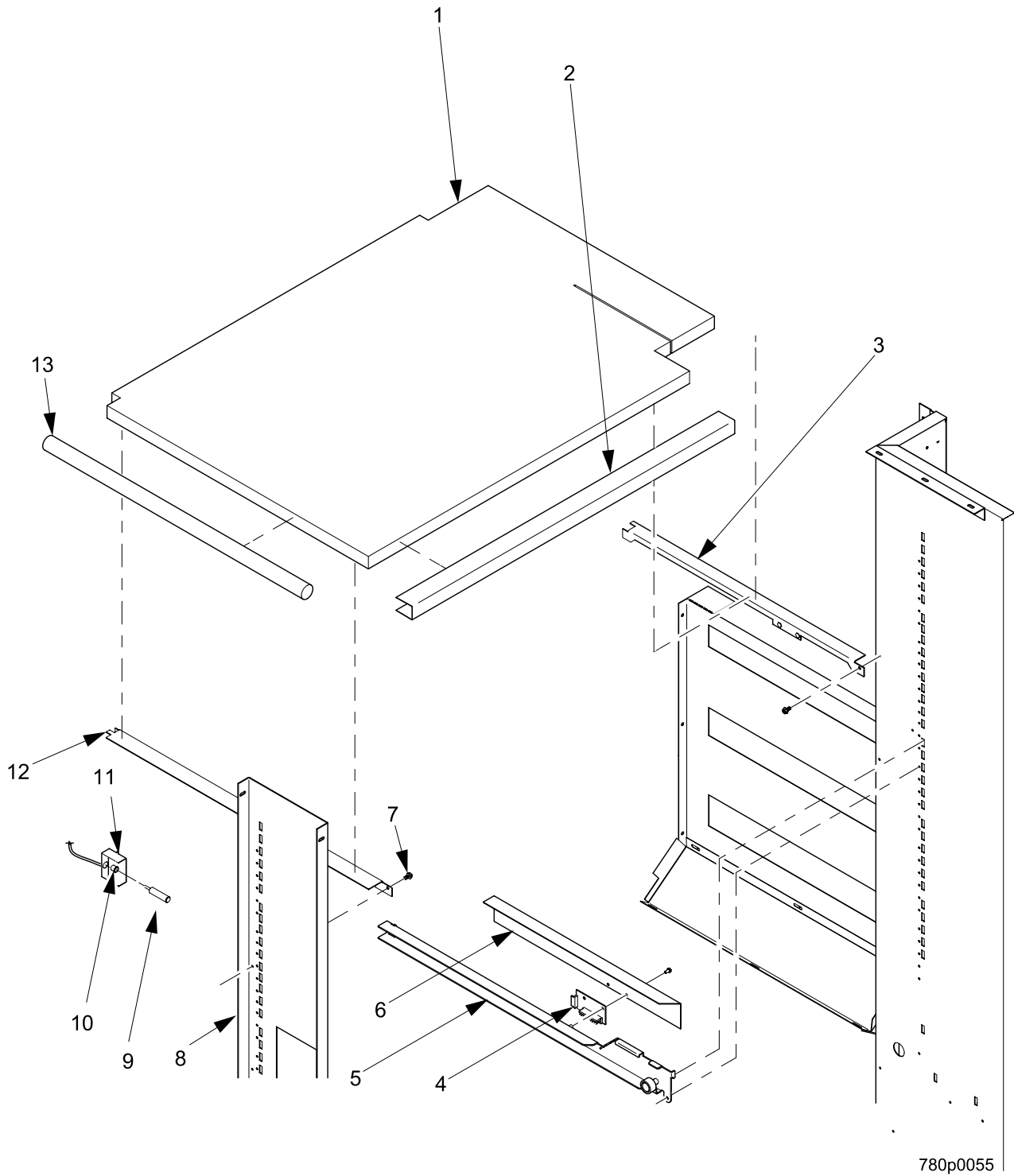
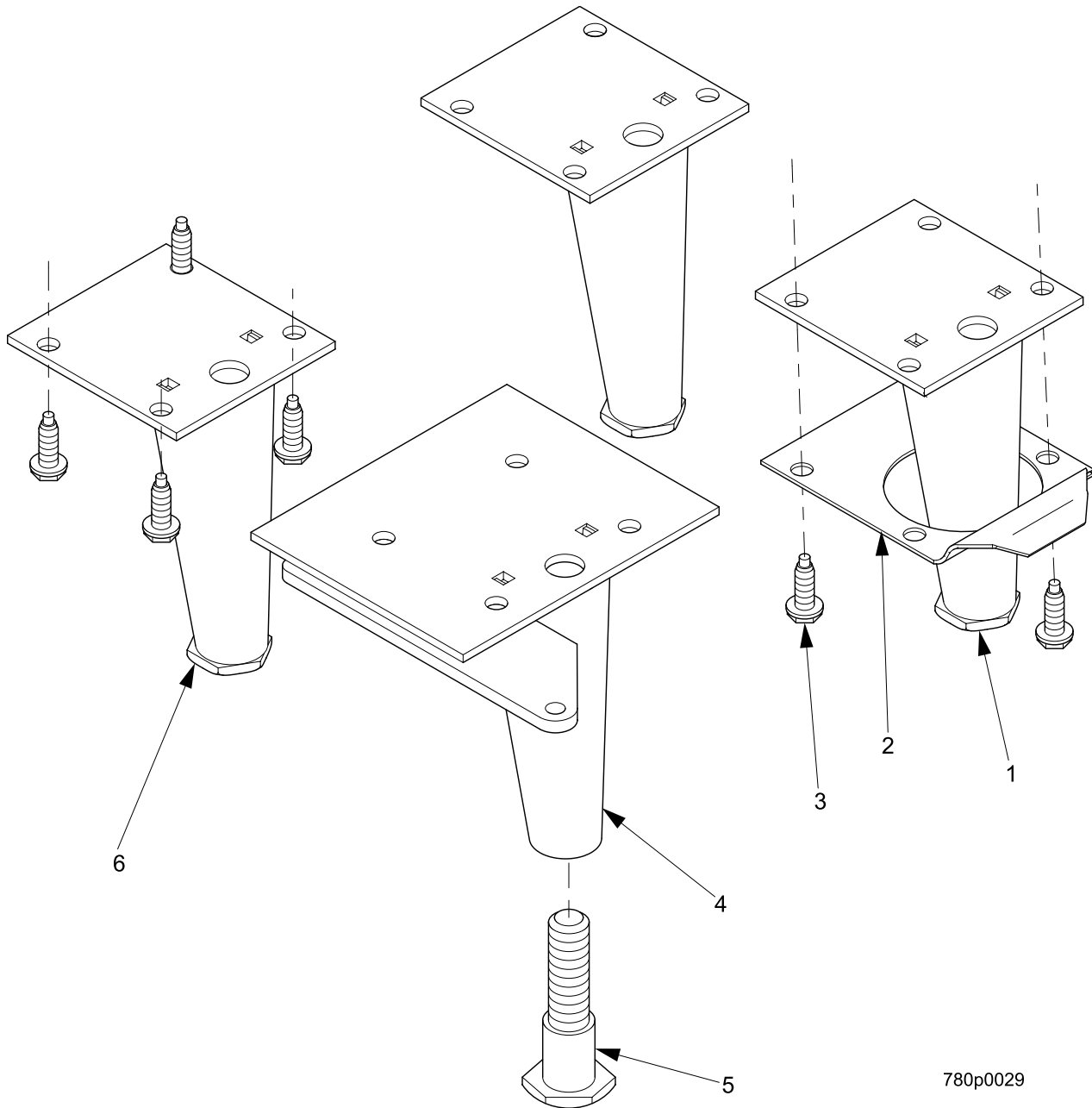


FIGURE 15: DUAL ZONE COMPONENTS VERSION II DUCT SYSTEM

TABLE 15: DUAL ZONE COMPONENTS VERSION II DUCT SYSTEM

INDEX	PART NUMBER	DESCRIPTION	QTY
1	7801157	DIVIDER-SHELF-VERSION 2	1
2	7801166	COVER-FRONT EDGE BARRIER	1
3	7801181	RAIL-RH-THERM BARRIER W/STANDO	1
4	1596014	PCB ASSEMBLY-TRAY	1
5	7801049	GUIDE RAIL AY R.H. W/STANDOFFS	1
--	7801046	TRAY GUIDE RAIL ASSY-L.H.(NOT SHOWN)	1
6	7801052	SHIELD-TRAY RAIL-PCB	1
7	1451097	SCREW-#8-32X.31 HEX HD.TF-BLK.	2
8	7801142	CHANNEL RAIL MNT FL OUTER	1
9	9987852	PROBE-TEMP.SENSOR	1
10	9985887	BUSHING-STRAIN RELIEF	1
11	4321175	COVER-TEMP. SENSOR	1
12	7801159	RAIL-LH-THERMAL BARRIER	1
13	4241148	INSULATION-ROD-.50	25



780p0029

FIGURE 16: CABINET LEGS

TABLE 16: CABINET LEGS

INDEX	PART NUMBER	DESCRIPTION	QTY
1	4311068	LEG ASSY-CABINET-WELD	3
2	7801081	PLATE DOOR SUPPORT	1
3	9900218	SCREW-#5/16 X 1 W/LOCKING RING	16
4	1571115	LEG & HINGE ASSY-WELD	1
5	1471098	LEVELER-CABINET	4
6	1471237	LEG & LEVELER ASSY-CABINET (ITEMS 1 AND 5)	--

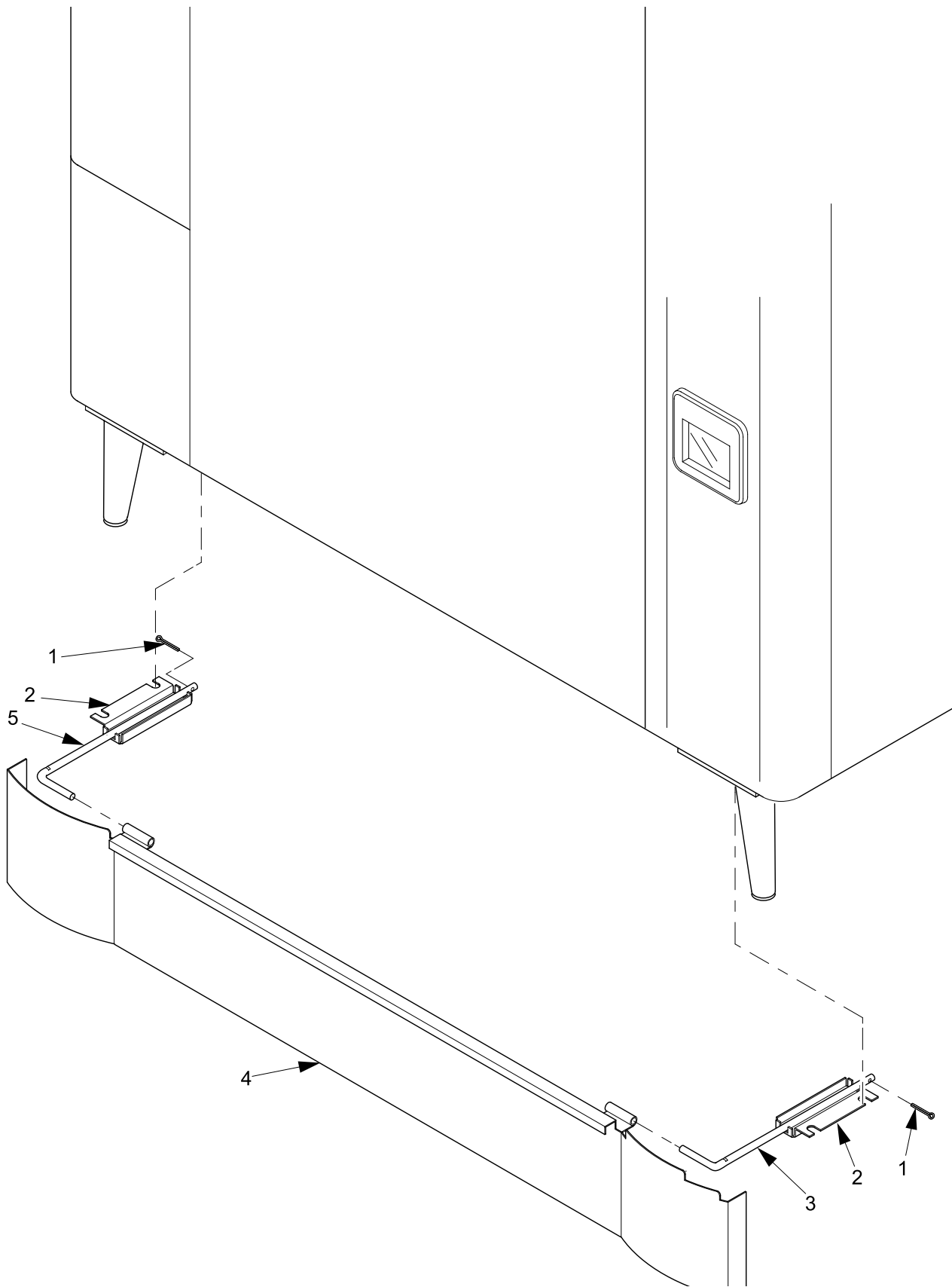


FIGURE 17: BASE PLATE

TABLE 17: BASE PLATE

INDEX	PART NUMBER	DESCRIPTION	QTY.
1	9900098	COTTER PIN 3/32 X 3/4 IN	2
2	6231087	BRACKET-BASE PLATE	2
3	1411194	SLIDE-BASE PLATE-R.H.	1
4	1581050	BASE PLATE ASSY-32"-MILLENNIA	1
5	1411195	SLIDE-BASE PLATE-L.H.	1

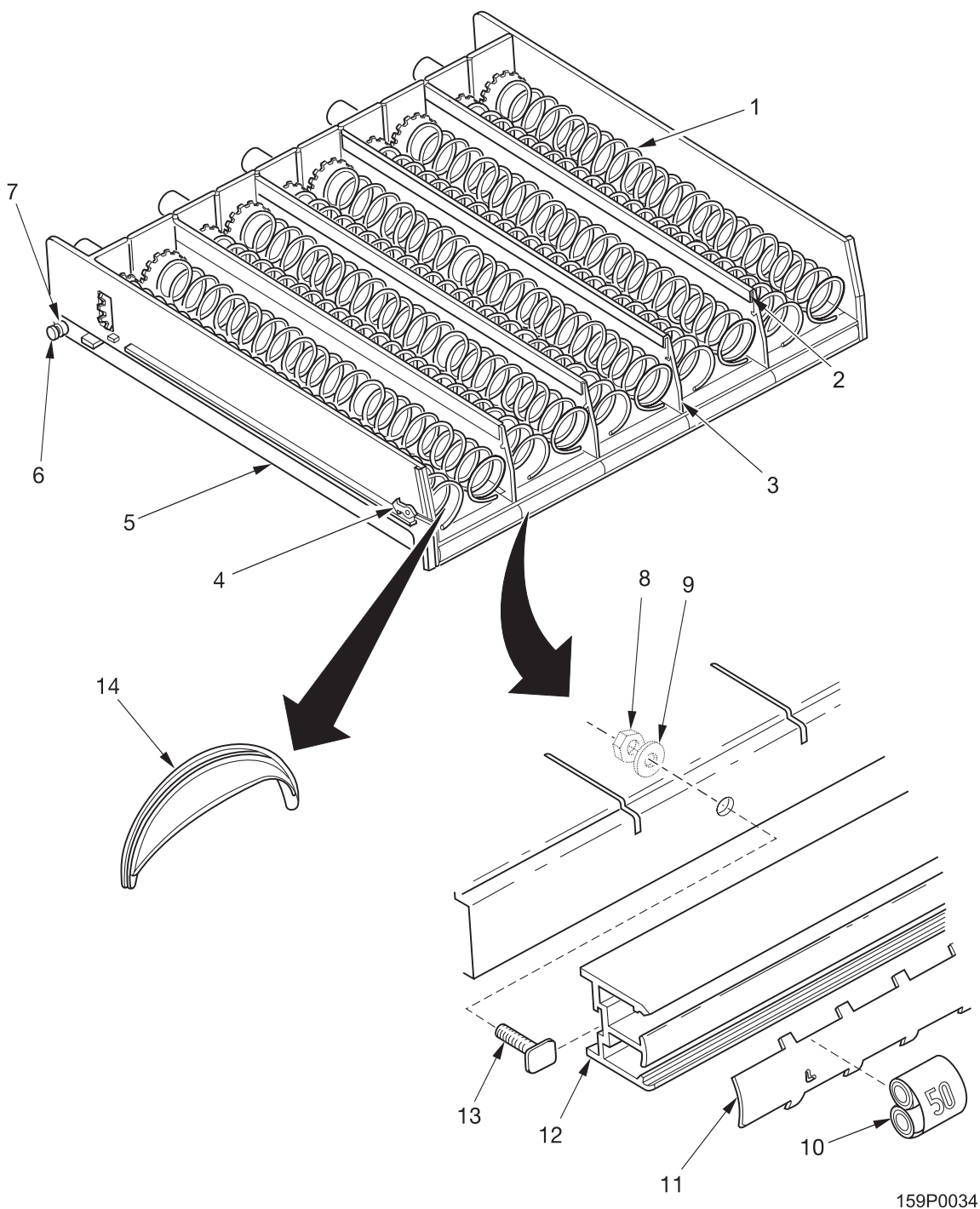


FIGURE 18: SNACK TRAY ASSY

TABLE 18: SNACK TRAY ASSY

INDEX	PART NUMBER	DESCRIPTION	QTY
--	1597001	SNACK TRAY ASSEMBLY - 5 SNACK	
	1470811	SNACK TRAY ASSEMBLY - 5 SNACK	
1	--	SPIRAL AND RETAINER ASSEMBLY (SEE TABLE 23B ON PAGE 49)	--
2	1677193	SPACER - ADJUSTABLE	4
3	1477175	WALL - TRAY	4
4	1477017	LATCH	1
5	1577040	TRAY - 5 & 10 DIVISION	1
6	1477097	AXLE - TRAY ROLLER	2
7	1477148	ROLLER - TRAY	2
8	9900030	NUT #8-32 SELF - LOCKING	3
9	5560113	WASHER - HOPPER RELEASE	3
10	--	PRICE ROLLS (SEE TABLE 23A ON PAGE 48)	--
11	1477157	HOLDER - PRICE & SELECTION	1
12	1477134	RAIL - PRICE & SELECTION	1
13	2222031	TEE BOLT - TRIM	3
14	1477074	PUSHER - PRODUCT	10

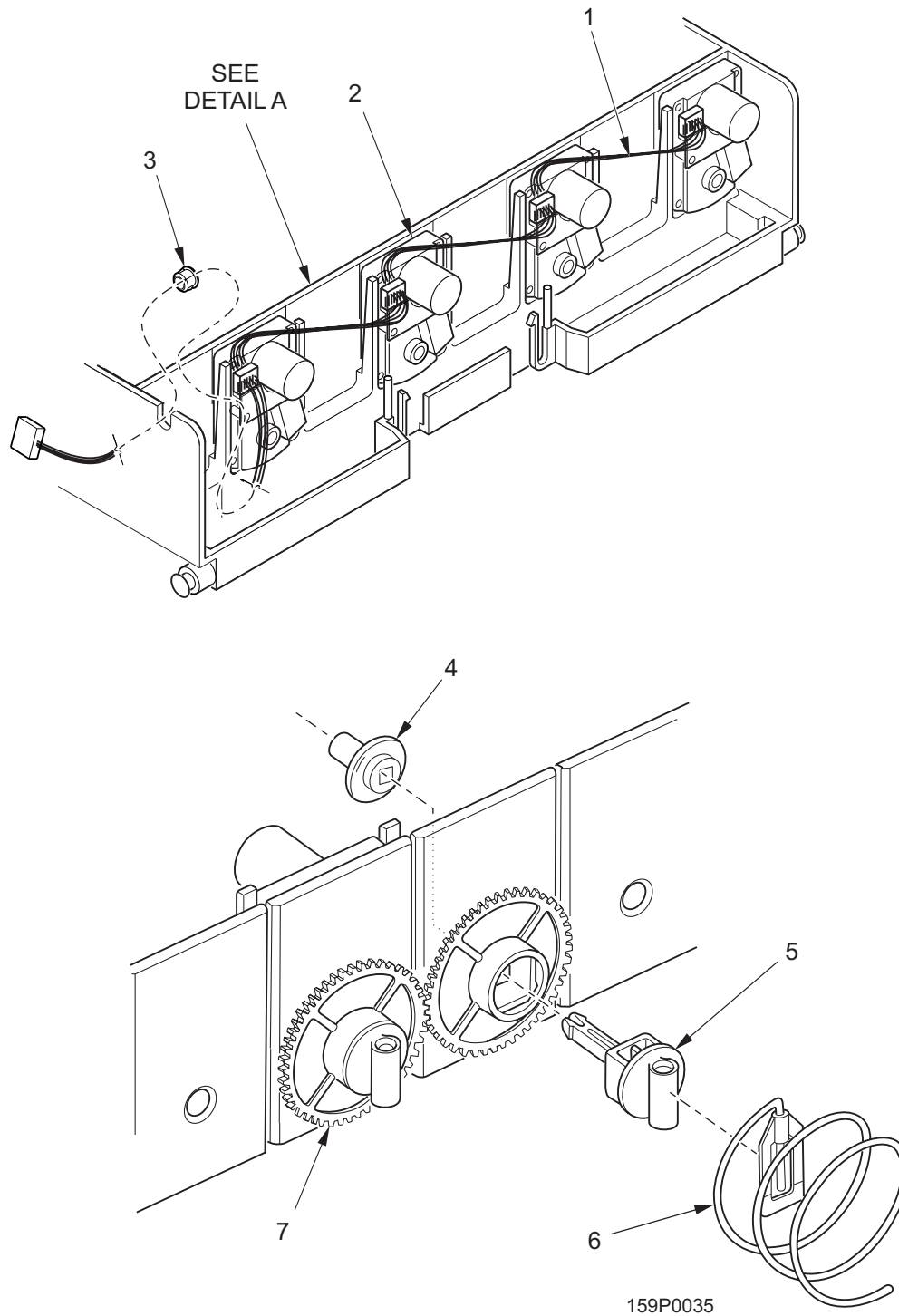


FIGURE 19: SNACK TRAY ASSY - REAR

TABLE 19: SNACK TRAY ASSY - REAR

INDEX	PART NUMBER	DESCRIPTION	QTY
1	1679010	HARNESS - 5 MOTOR TRAY	1
2	1577038	MOTOR & PCB ASSEMBLY	5
3	9989821	BUSHING - 0.512 DIAMETER	1
4	1477022	BEARING - COUPLER	5
5	1477113	COUPLING - SPIRAL	10
6	--	SPIRALS (SEE TABLE 23B ON PAGE 49)	--
7	1477020	GEAR - TRAY	10

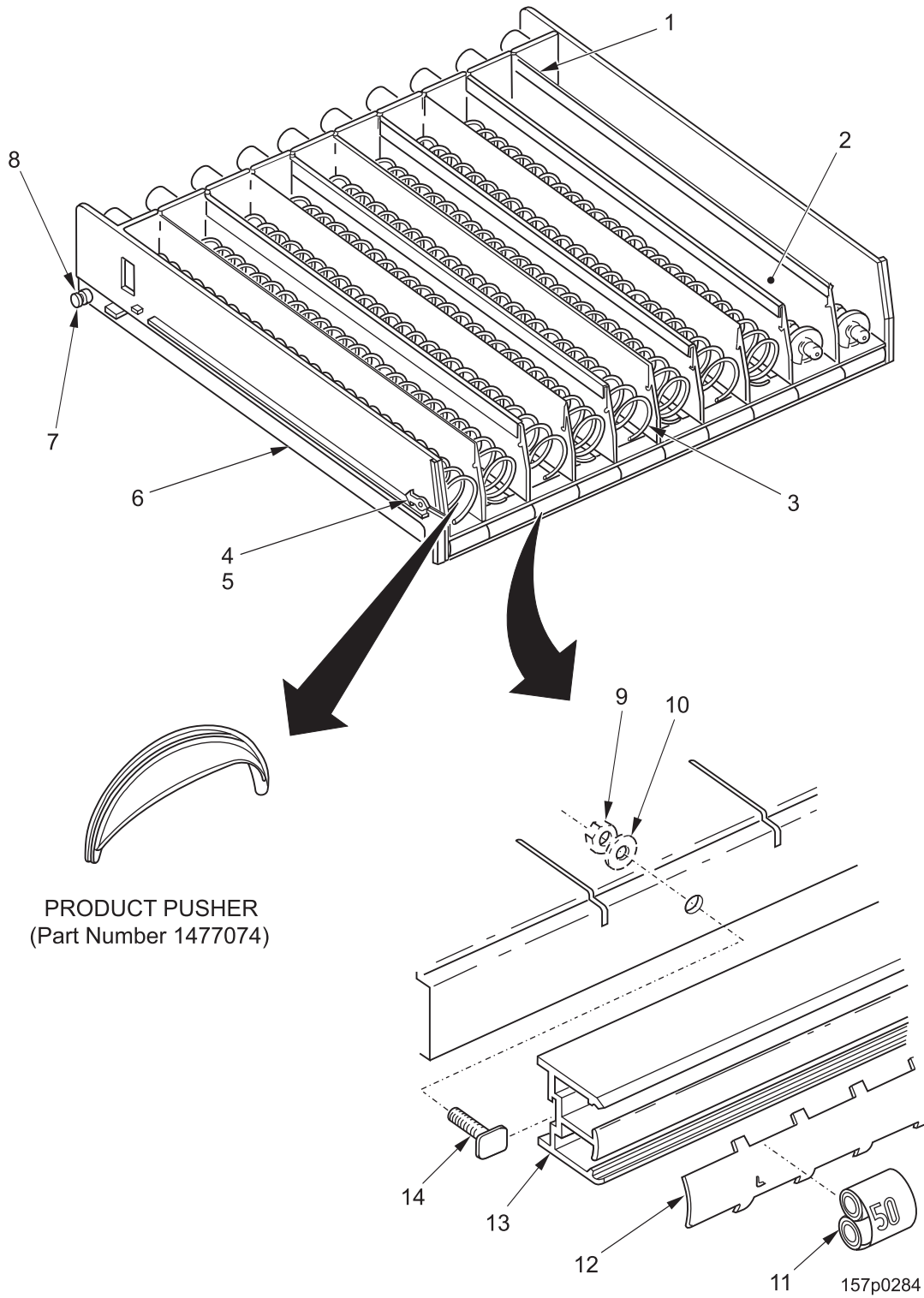


FIGURE 20: CANDY TRAY ASSY

TABLE 20: CANDY TRAY ASSY

INDEX	PART NUMBER	DESCRIPTION	QTY
	1597002	CANDY TRAY ASSEMBLY - 10 MOTOR	
	1470812	CANDY TRAY ASSEMBLY - 10 MOTOR	
1	1477175	WALL - TRAY	9
2	1677193	SPACER - ADJUSTABLE	4
3	--	SPIRALS (SEE TABLE 23B ON PAGE 49)	--
4	1477017	LATCH	1
5	5201267	PUSH-ON RETAINER - .312	2
6	1577040	TRAY - 5 & 10 DIVISION	1
7	1477097	AXLE - TRAY ROLLER	2
8	1477148	ROLLER - TRAY	2
9	9900030	NUT #8-32 SELF-LOCKING	3
10	5560113	WASHER - HOPPER RELEASE	3
11	--	PRICE ROLLS (SEE TABLE 23A ON PAGE 48)	10
12	1477157	HOLDER - PRICE & SELECTION	1
13	1477134	RAIL - PRICE & SELECTION	1
14	2222031	TEE BOLT - TRIM	3

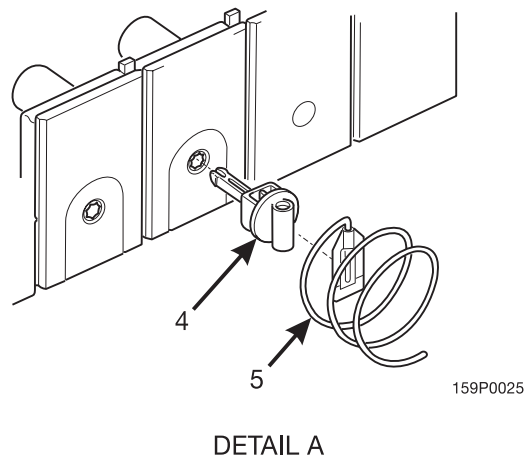
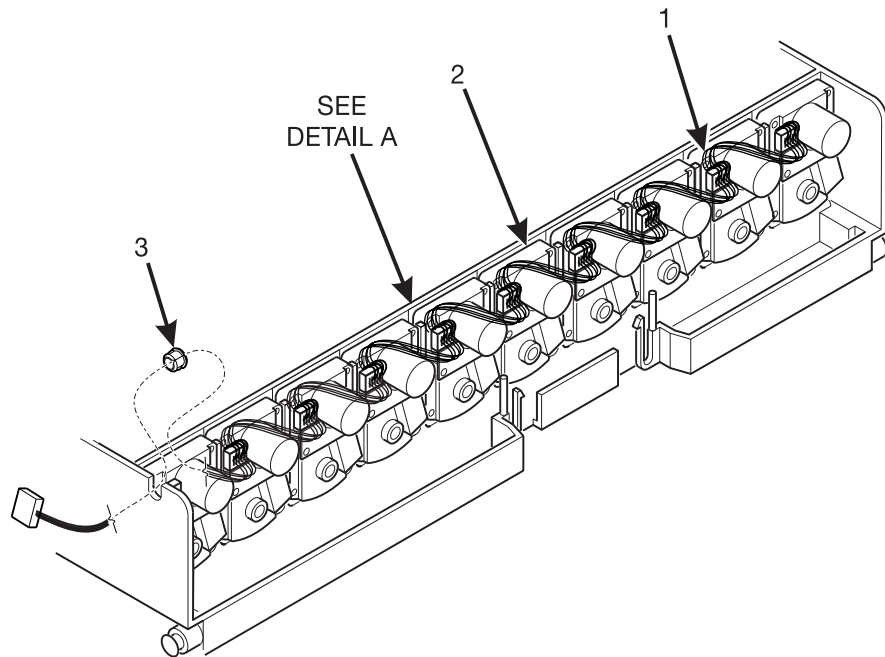
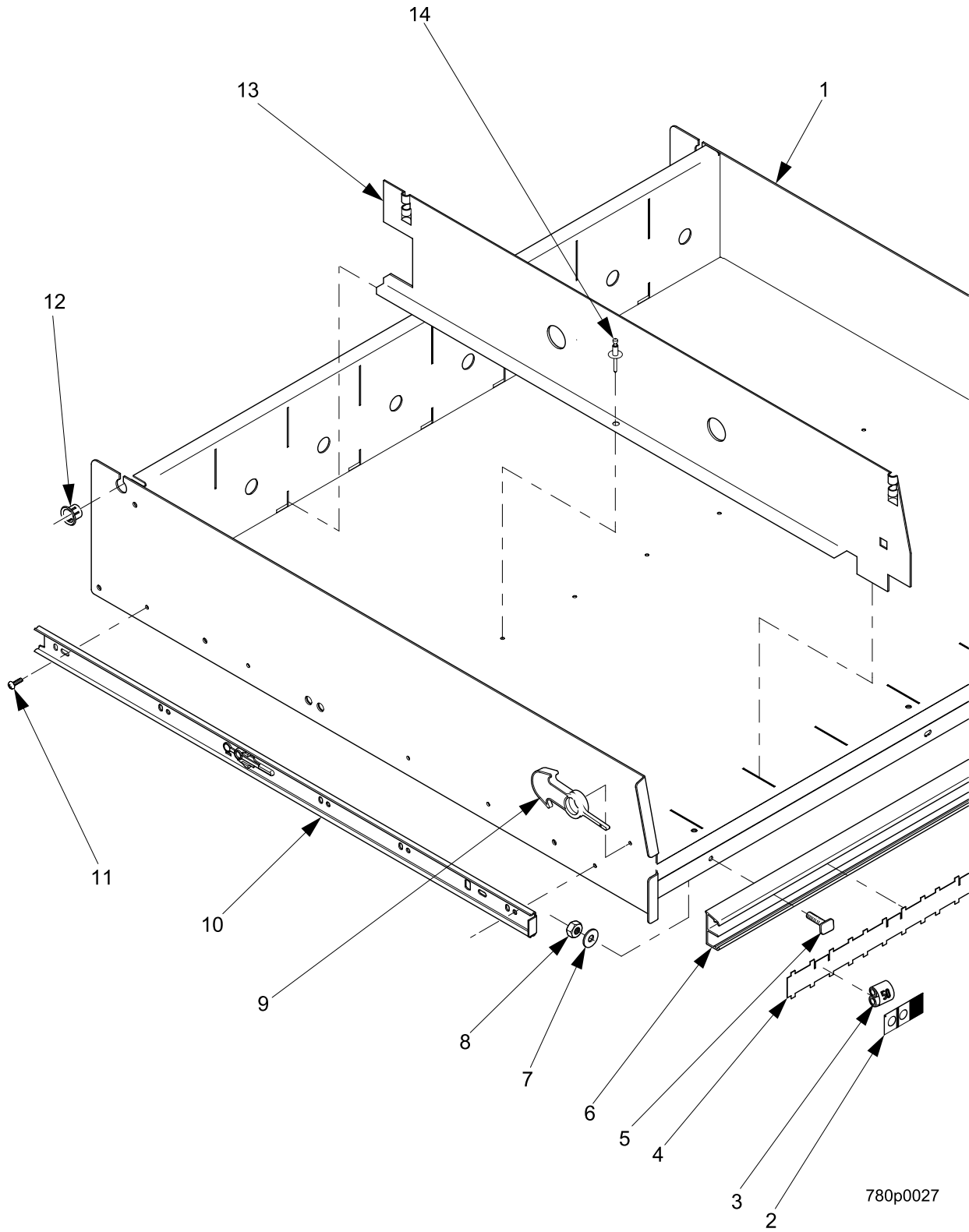


FIGURE 21: CANDY TRAY - REAR

TABLE 21: CANDY TRAY REAR

INDEX	PART NUMBER	DESCRIPTION	QTY
1	1679011	HARNESS - 10 MOTOR TRAY	1
2	1577038	MOTOR & PCB ASSEMBLY	10
3	9989821	BUSHING	1
4	1477113	COUPLING - SPIRAL	10
5	--	SPIRALS (SEE TABLE 23B ON PAGE 49)	--

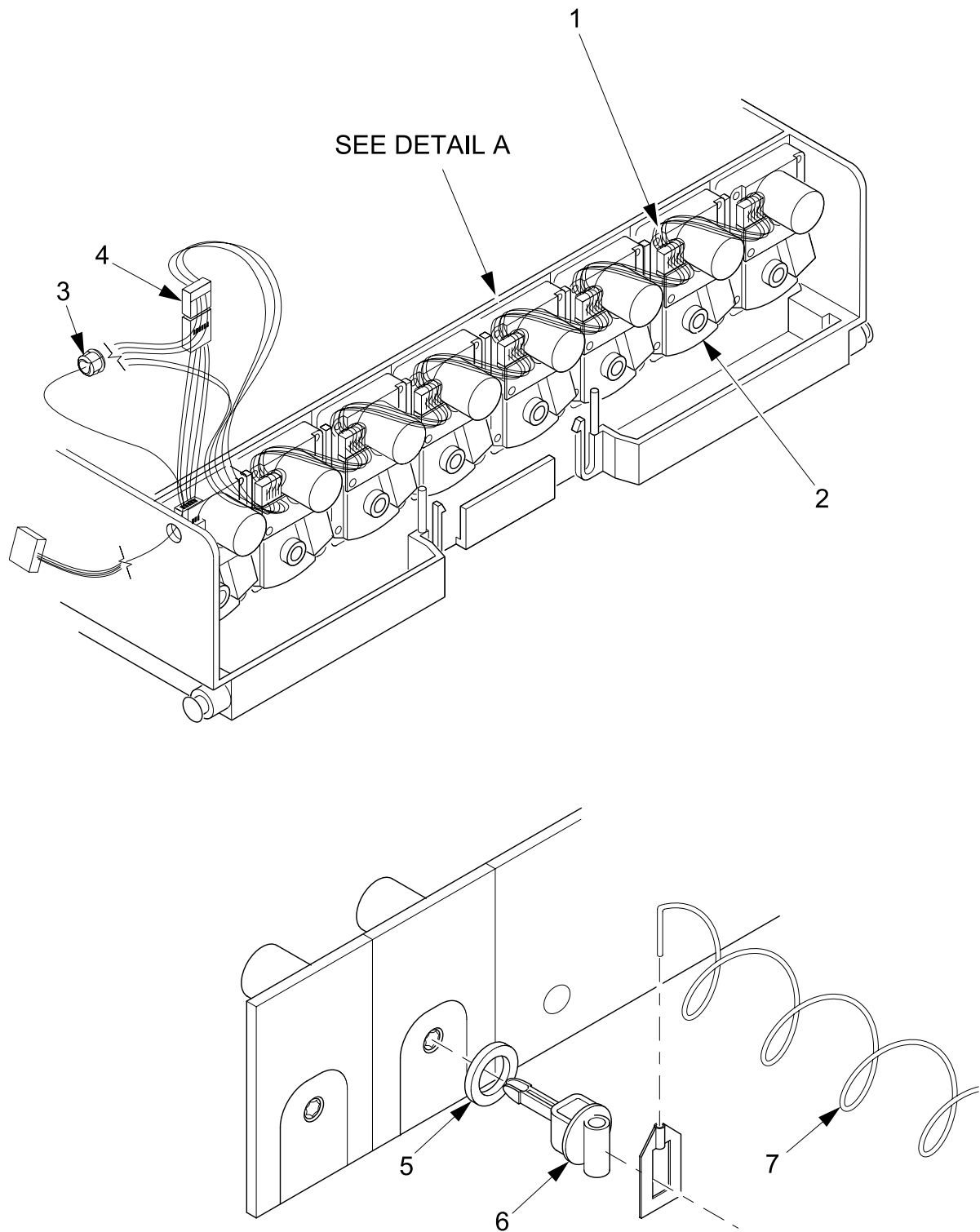


780p0027

FIGURE 22: BOTTLE TRAY

TABLE 22: BOTTLE TRAY

INDEX	PART NUMBER	DESCRIPTION	QTY
--	7807000	BOTTLE TRAY ASSEMBLY	--
1	7807005	TRAY ASSEMBLY WELDED	1
2	--	PRICE ROLLS (SEE TABLE 23A ON PAGE 48)	--
3	1577047	LABEL-ITEM LETTERS-A0-A9	1
	1577048	LABEL-ITEM LETTERS-B0-B9	1
	1577049	LABEL-ITEM LETTERS-C0-C9	1
	1577050	LABEL-ITEM LETTERS-D0-D9	1
	1577051	LABEL-ITEM LETTERS-E0-E9	1
	1577052	LABEL-ITEM LETTERS-F0-F9	1
4	7807002	HOLDER-PRICE & SELECTION	1
5	2222031	TEE BOLT-TRIM	3
6	7807001	RAIL-PRICE & SELECTION	1
7	5560113	WASHER-HOPPER RELEASE	3
8	9900030	NUT #8-32 SELF-LOCKING	3
9	1477017	LATCH	1
10	7801055	SLIDE-TRAY	2
11	4312217	SCREW#8-32 X.50 PHILLIPS-PN HD	4
12	9989821	BUSHING-0.512 DIAMETER	1
13	1477175	WALL-TRAY	7
14	3502078	RIVET-POP-.125 DIA X .265	7



DETAIL A

780p0028

FIGURE 23: BOTTLE TRAY - REAR

TABLE 23: BOTTLE TRAY - REAR

INDEX	PART NUMBER	DESCRIPTION	QTY
1	7809007	HARNESS-8 MOTOR TRAY	1
2	1577038	MOTOR & PC BOARD ASSEMBLY	8
3	9989821	BUSHING-0.512 DIAMETER	1
4	1599024	HARNESS-MOTOR COUPLER	--
5	1477113	COUPLING-SPIRAL	8
6	--	SPIRAL (SEE TABLE 23B ON PAGE 49)	--

TABLE 23A: PRICE ROLLS (FOR TRAYS)

PART NUMBER	DESCRIPTION
1477014	PRICE ROLL - CENTS
1477015	PRICE ROLL - DOLLARS
1687001	PRICE ROLL - 1 TO 25 PRICE - DOLLARS
1687002	PRICE ROLL - 26 TO 50 PRICE - DOLLARS
1672065	PRICE ROLL - PRICE - UK - RANGE 1-5 KB
1472273	PRICE ROLL - U.K. - 1L/10L 40P/95P
1472274	PRICE ROLL - U.K. - 1L/10L 8P/35P
1572205	PRICE ROLL - UK - 36P TO 62P + FREE KB
1572206	PRICE ROLL - UK, 63P TO 90P, KB
1477123	PRICE ROLL - 0 TO 25 - UK/GER/FR KB
1577004	PRICE ROLL - 000 TO 250 YEN
1577003	PRICE ROLL - 1 TO 9/10 TO 90 YEN
1577005	PRICE ROLL - 260 TO 500 YEN
1577006	PRICE ROLL - 510 TO 760 YEN
1577007	PRICE ROLL - 770 TO 990 YEN

TABLE 23B: SPIRAL OPTIONS

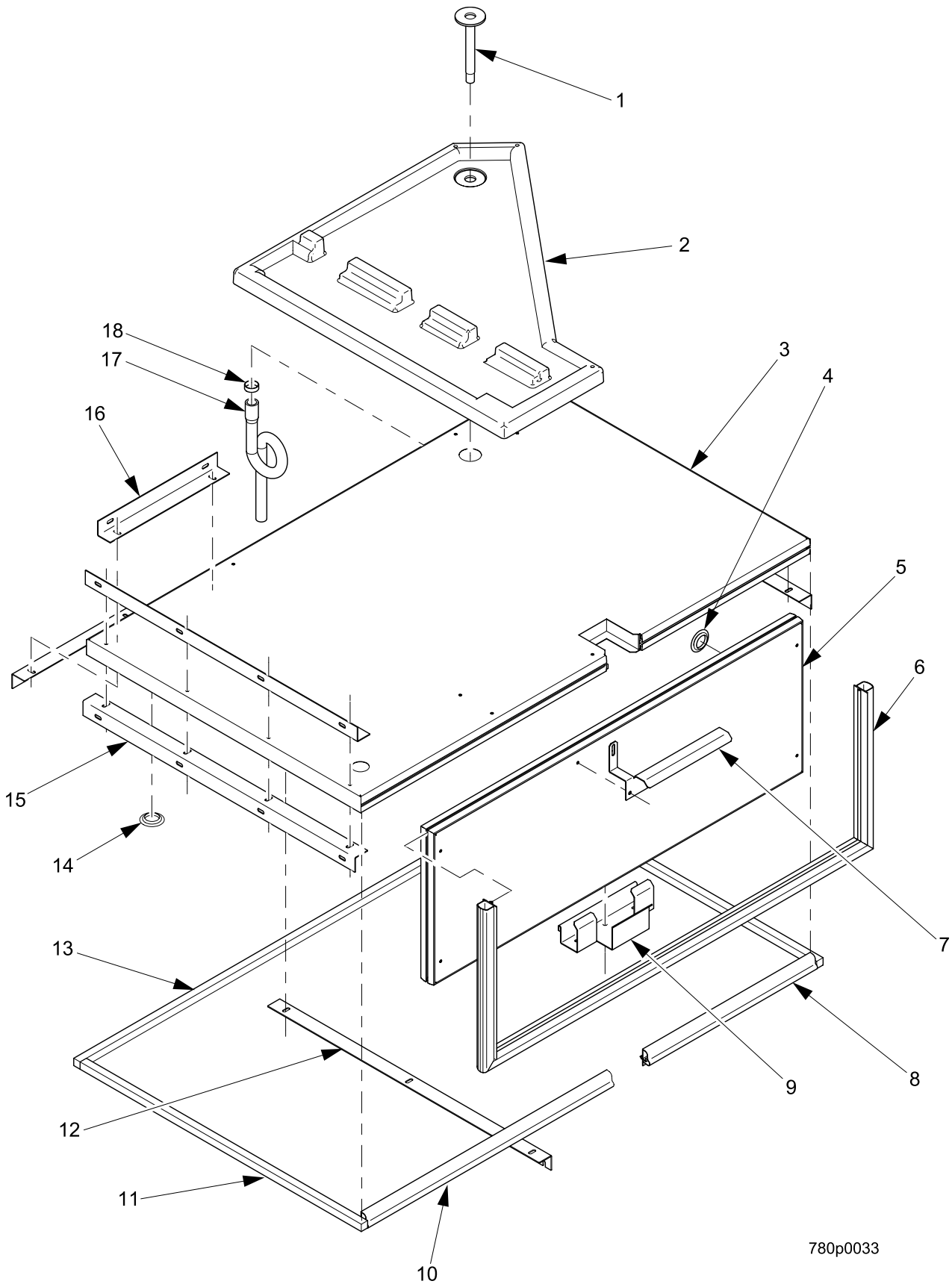
		COUNTER CLOCKWISE LEFT HAND		CLOCKWISE RIGHT HAND		
SPIRAL COUNT	RETAINER COLOR	ASSEMBLY	SPIRAL	ASSEMBLY	SPIRAL	RETAINER
6	PURPLE	1477103	1477102	1477105	1477104	1477107
9	GRAY	1477152	1477153	1477149	1477150	1477155
11	BLUE	1477023	1477024	1477026	1477027	1457061
13	YELLOW	1477029	1477030	1477032	1477033	1457062
15	RED	1477035	1477036	1477038	1477039	1457063
17	BROWN	1477101	1477100	1477099	1477098	1477106
20	WHITE	1477041	1477042	1477044	1477045	1457064
25	GREEN	1477047	1477048	1477050	1477051	1457065
30	BLACK	1477053	1477054	1477056	1477057	1477073
38	ORANGE	1477059	1477060	1477062	1477063	1467137

NOTE:

Bottle trays use a 3.25" diameter spiral.

TABLE 23C: BOTTLE TRAY

BOTTLE TRAY SPIRAL OPTION				
SPIRAL COUNT	RETAINER COLOR	ASSEMBLY	SPIRAL	RETAINER
6	DARK GREEN	7807011	7807003	4407822
7	RED	7807015	7807016	1457063

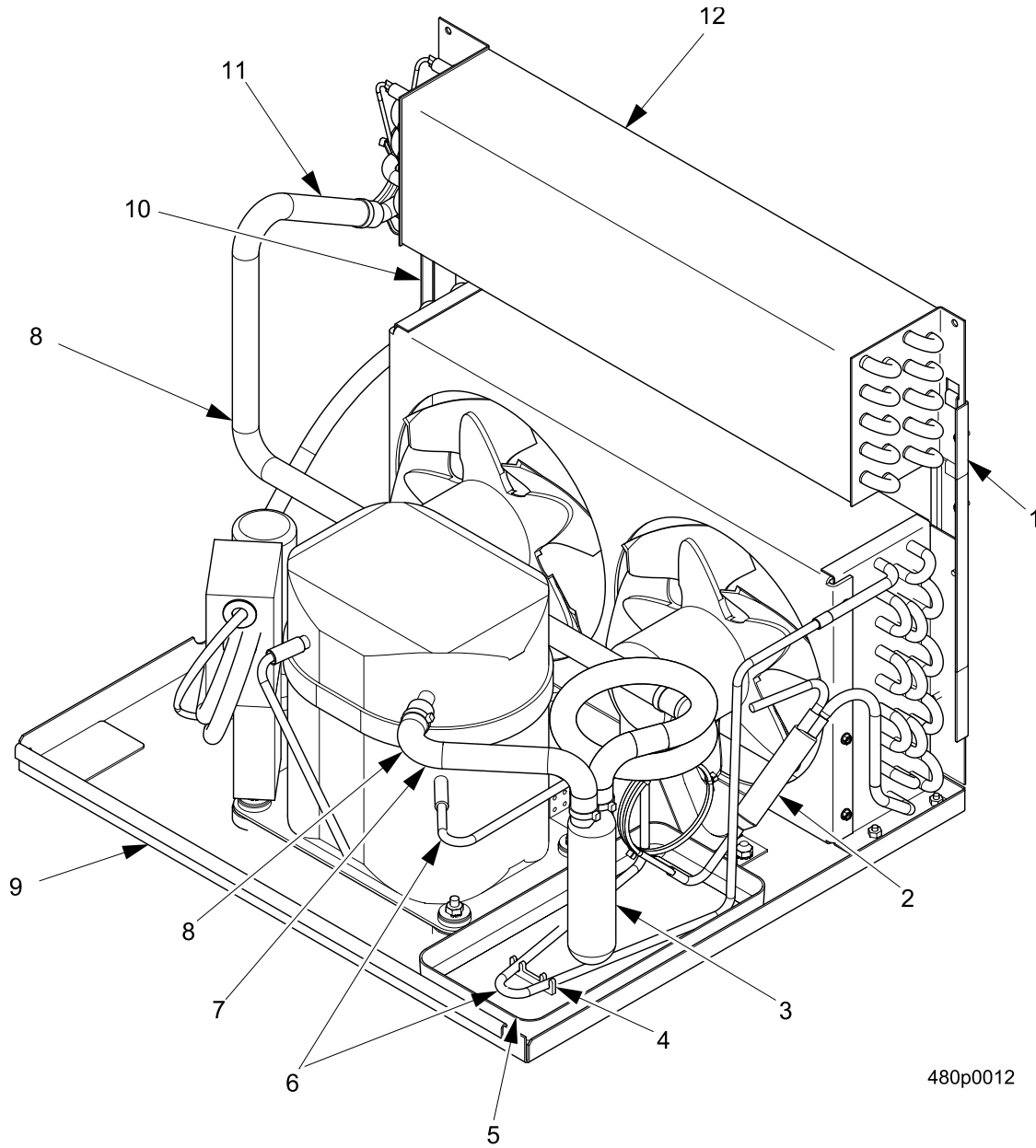


780p0033

FIGURE 24: EVAPORATOR PAN ASSY

TABLE 24: EVAPORATOR PAN ASSY

INDEX	PART NUMBER	DESCRIPTION	QTY
1	3128063	DRAIN-WATER BATH	1
2	7801036	DRAIN PAN	1
3	7801165	DIVIDER SHELF	1
4	6231034	PLUG-HOLE	1
5	7801132	VERTICAL WALL ASSY FOAMED	1
6	7801015	GASKET-VERTICAL WALL	1
7	7801163	BRACKET UPPER VERTICAL WALL	1
8	7801062	GASKET-HORZ. SHELF SHORT	1
9	7801162	BRACKET LOWER VERTICAL WALL	1
10	7801061	GASKET-HORZ. SHELF LONG	1
11	4727069	GASKET-.19X.38	2
12	7801182	ANGLE AIR SEAL	1
13	7801064	GASKET-HORIZONTAL SHELF BACK	1
14	6231034	PLUG-HOLE	2
15	7801137	BRACKET LONG HORZ. SHELF	3
16	7801138	BRACKET SHORT HORIZ. SHELF	2
17	4321042	HOSE-DRAIN	1
18	3154059	CLAMP-STAINLESS STEEL	1



480p0012

FIGURE 25: REFRIGERATION ASSY (1 OF 2)

TABLE 25: REFRIGERATION ASSY (1 OF 2)

INDEX	PART NUMBER	DESCRIPTION	QTY
--	7804000	REFRIG. ASSY MODEL 780, 115V	--
	7804001	REFRIG. ASSY MODEL 780, 220V	
1	7804008	BRACKET-SHIPPING-LEFT	1
2	4364034	FILTER/DRIER-REFRIGERANT	1
3	4244009	ACCUMULATOR P-H 22-056380-01	1
4	4304076	SPACER-COMP.DISCH.TUBE	1
5	4324030	PAN-CONDENSATE	1
6	4324027	TUBE-DISCH LINE-COMPR TO CON	1
7	4324006	INSULATION-TUBE-5X.1875 CPE	59.5
8	4324025	TUBE-SUCTION LINE-ACCUM TO COM	1
9	4324004	BASE/STUD ASSY-REFRIG. UNIT	1
10	7804011	BRACKET-SHIPPING/SEALING RIGHT	1
11	7804010	HEAT EXCHANGER ASSY	1
12	7804006	EVAPORATOR COIL 4 ROW	1

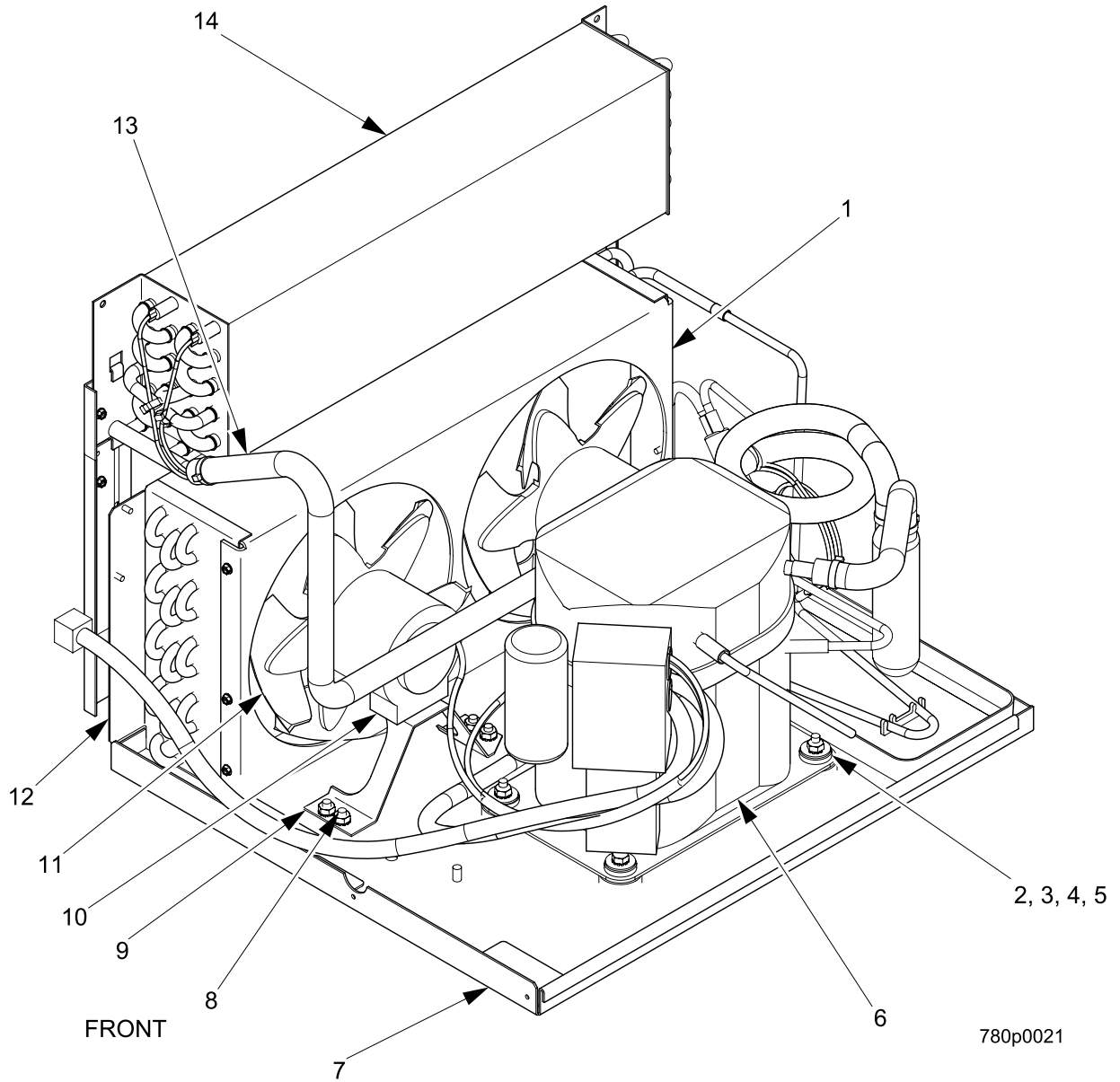


FIGURE 26: REFRIGERATION ASSY (2 OF 2)

TABLE 26: REFRIGERATION ASSY (2 OF 2)

INDEX	PART NUMBER	DESCRIPTION	QTY
1	4324016	SHROUD-CONDENSER-CARDBOARD	1
2	1211105	1/4-20 KEPS NUT EXT LW ZP	4
3	4304236	WASHER-.88 O.D.X.38 I.D.X.063	4
4	4324012	GROMMET-11/16 HEIGHT	4
5	4324013	SLEEVE-11/16 LENGTH	4
6	4274000	COMPRESSOR-AKA4460YXA 115V 60H	1
	4314055	COMPRESSOR-AKA4476YXC 220V-R134A	
7	4324004	BASE/STUD ASSY-REFRIG. UNIT	1
8	9900081	NUT #8-32 KEPS ZINC PLATE	4
9	4324044	BRACKET-MOTOR MOUNT	2
10	4304092	MOTOR-CONDENSER FAN	2
	4774122	MOTOR-CONDENSER FAN-230V	
11	7214014	BLADE-CONDENSER FAN	2
12	4324014	CONDENSER-9 X 17.5 3R7 FPI	1
13	7804010	HEAT EXCHANGER ASSY	1
14	7804006	EVAPORATOR COIL 4 ROW	1

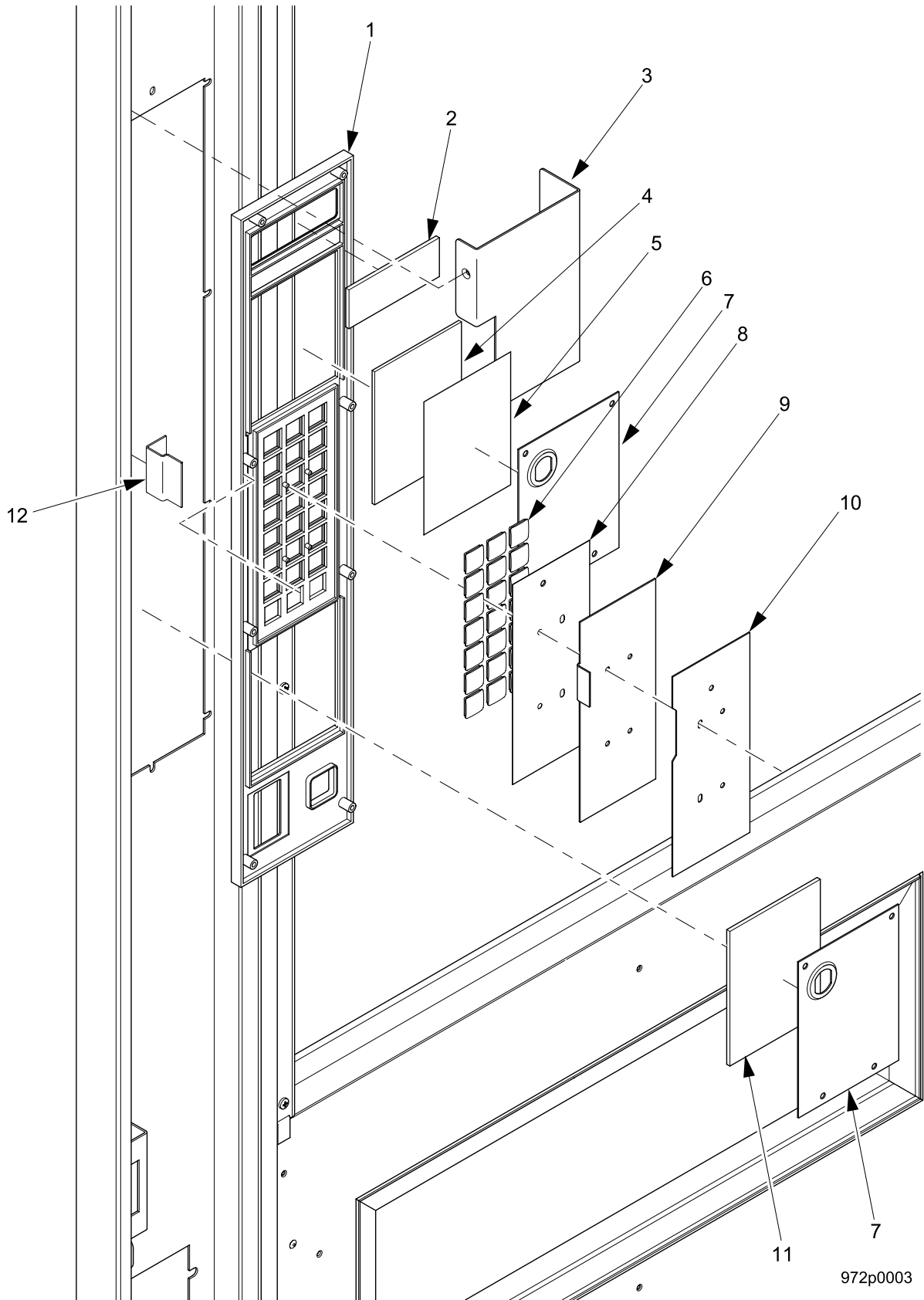
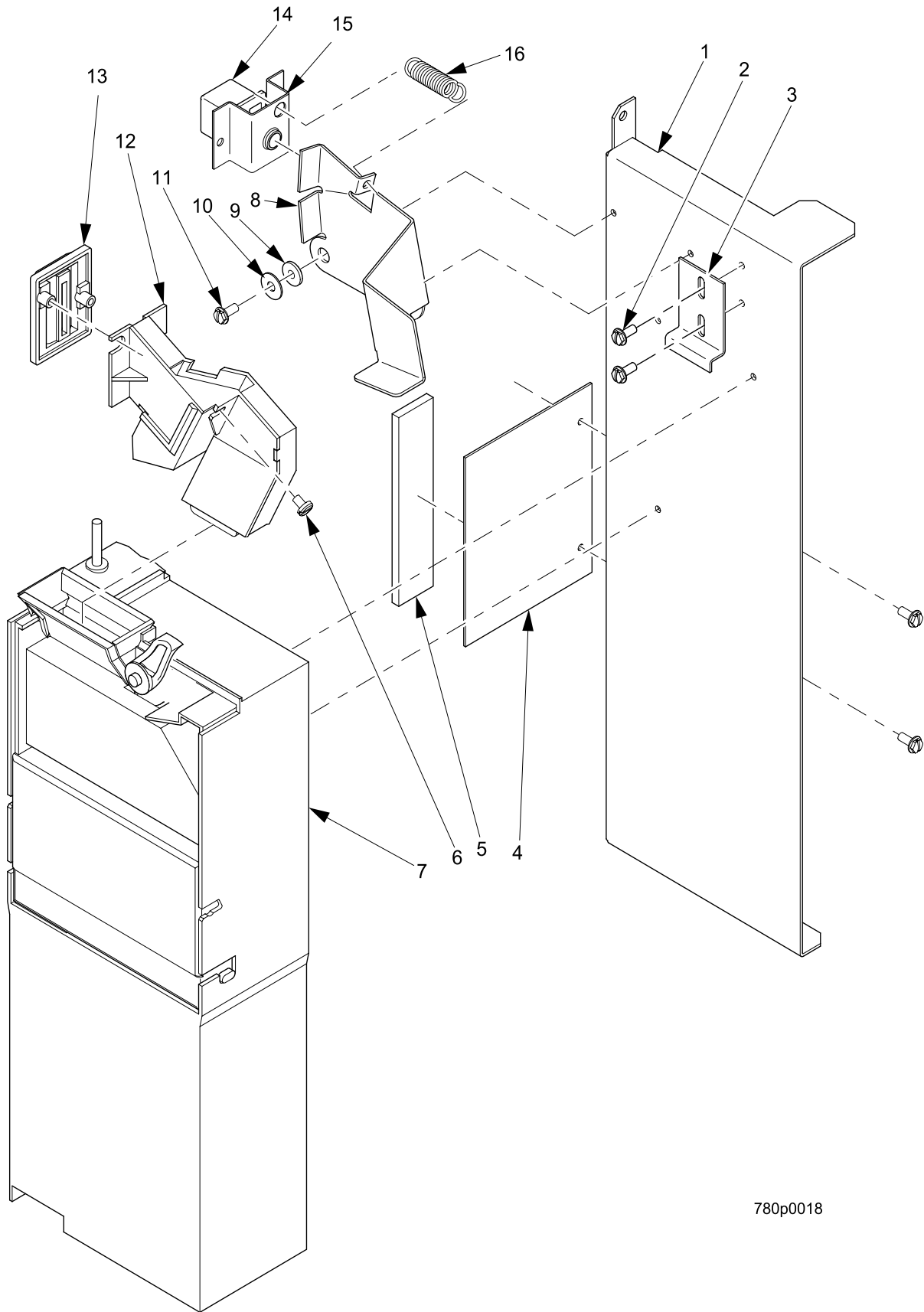


FIGURE 27: MONETARY ASSY

972p0003

TABLE 27: MONETARY ASSY

INDEX	PART NUMBER	DESCRIPTION	QTY
--	9725004	FACEPLATE ASSEMBLY-AP-972	--
1	9725005	SELECTION PANEL MONETARY AP	1
2	1595014	LENS-DISPLAY-GPL	1
3	1575029	COVER-DISPLAY	1
4	9625015	POS WINDOW	1
5	9625016	POS INSERT	1
6	1472251	LENS-PUSH BUTTON	21
7	1575048	PLATE-INSERT BACKING	2
8	1575010	LETTER SHEET-SELECT SWITCH	1
9	7215019	MEMBRANE SWITCH ASSY-SELECT	1
10	1575091	PLT-SELECT SW.-BACKUP-W/STUD	1
--	1475089	1/8 NUT-SELF-THREADING(NOT SHOWN)	8
11	1575035	INSERT-INSTR-LOWER-ENGLISH	1
12	7802067	GUIDE-LOCK BAR	1

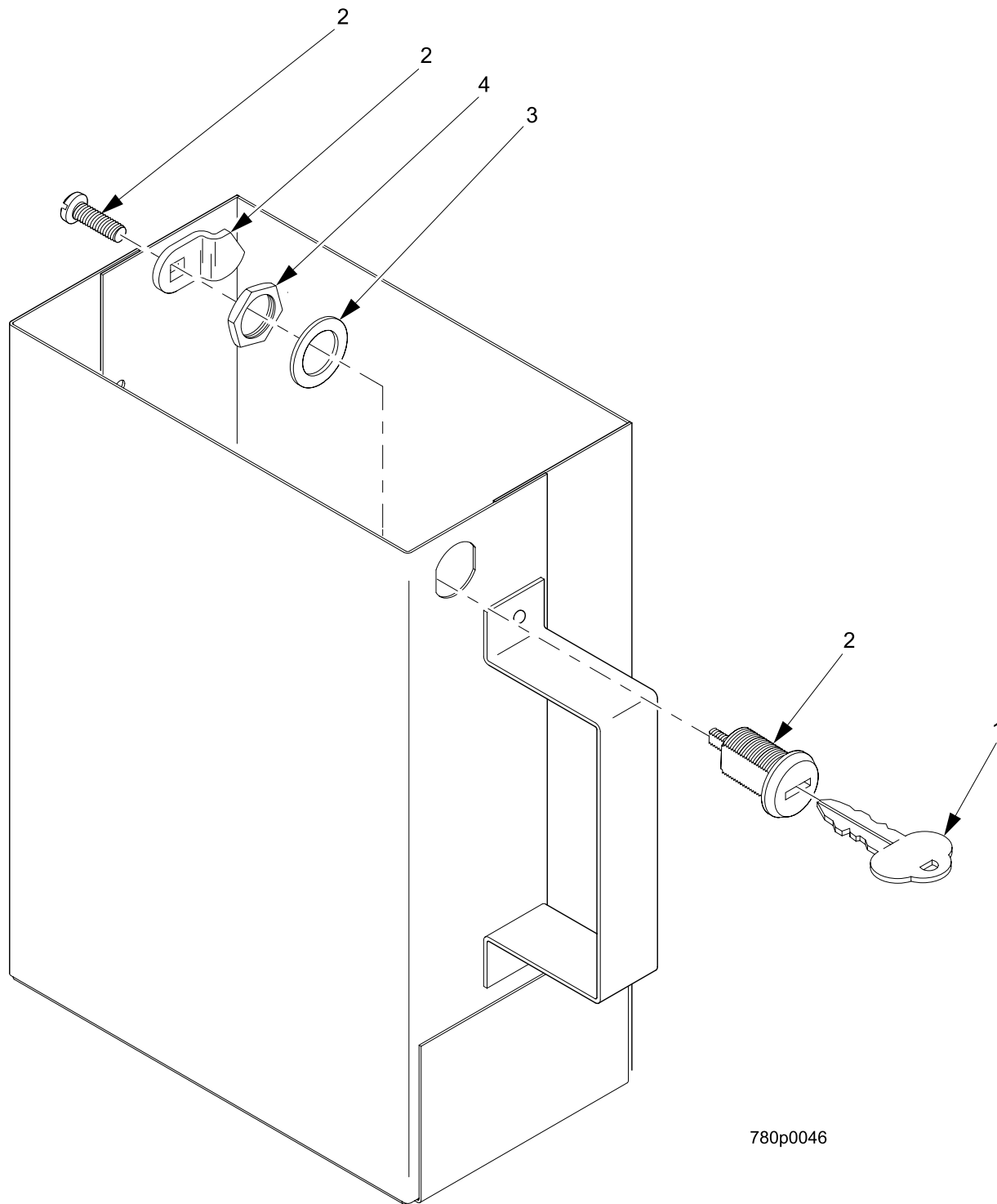


780p0018

FIGURE 28: COIN MECH BRACKET

TABLE 28: COIN MECH BRACKET

INDEX	PART NUMBER	DESCRIPTION	QTY
1	7805007	BACKBOARD & HINGE ASSY	1
2	9900106	SCREW #8-32 X 3/8 ACORN HEX HD	2
3	6231037	CLAMP-CABLE	1
4	7805009	BRACKET-MAGNET	1
5	3122056	MAGNET-RETAINR-COIN CHANGER KB	1
6	6237049	SCREW-#8-16X.25-SLTD-PHS	2
--	2302053	SPACER-CUP(NOT SHOWN)	4
7	--	COIN MECH (SEE TABLE 31D ON PAGE 67)	OPT
8	1571113	ARM-SCAVENGER	1
9	2204093	WASHER-SCAVENGER BAR	1
10	2228011	SPACER-RELEASE ARM	1
11	4741050	SCREW-#8-32 X .50 HX.HD.-T/F-B	1
12	1575003	COIN CHUTE ASSEMBLY	1
13	1472223	COIN INSERT	1
14	1475026	BUTTON-COIN RETURN	1
--	1475072	SHAFT-RETURN BUTTON(NOT SHOWN)	1
15	1571079	BRACKET-COIN RETURN BUTTON	1
16	1127808	SPRING-SHELF RESET	1

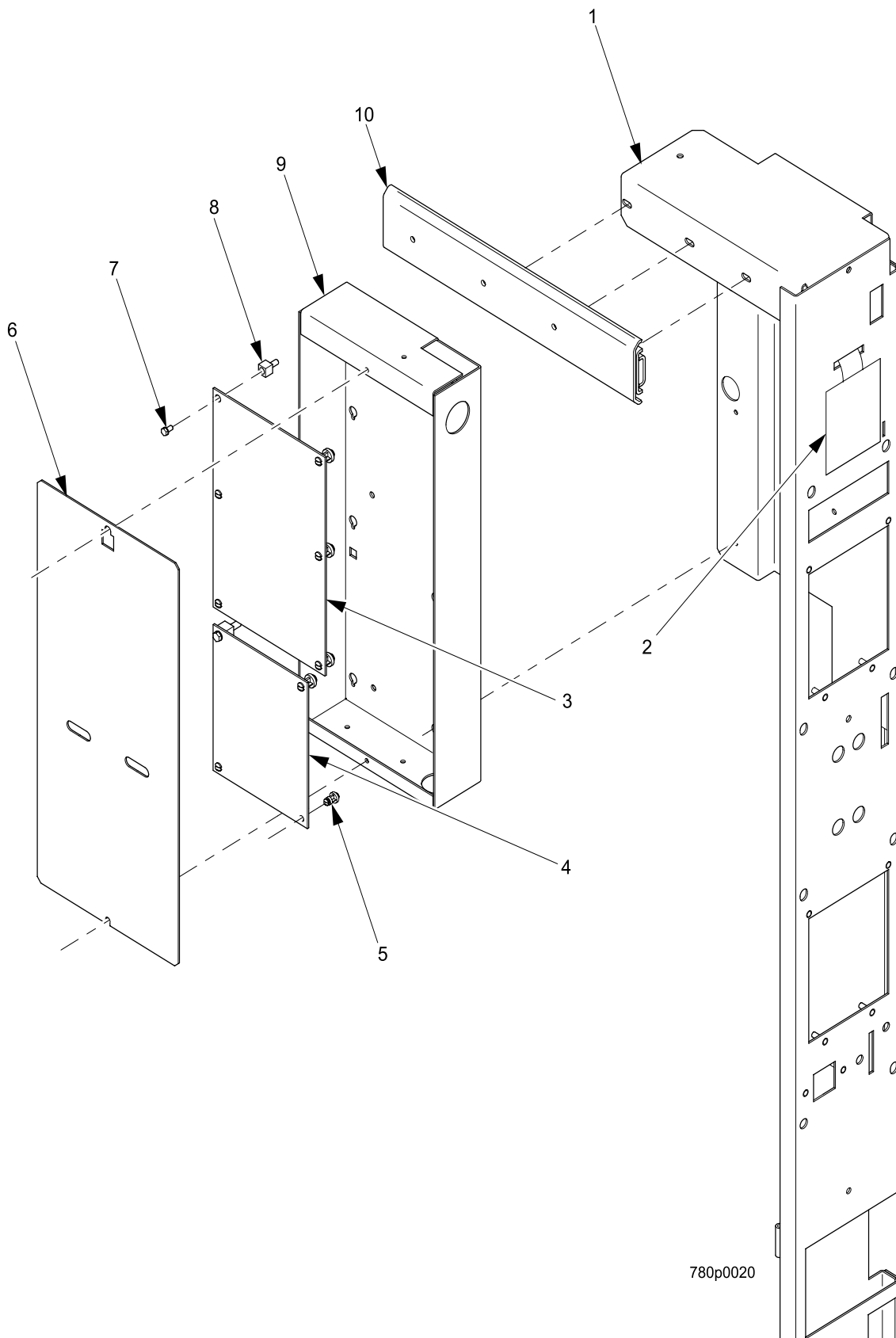


780p0046

FIGURE 29: CASH LOCK BOX

TABLE 29: CASH BOX LOCK

INDEX	PART NUMBER	DESCRIPTION	QTY
--	1470761	MONEY BOX LOCK(ITEMS 1-4)	--
1	2221920	KEY-CHICAGO LK-#1801 NV407, KB	1
2	1101906	MONEY BOX LOCK-#1801, KA NV407	1
3	2222604	WASHER-LOCK BARREL-#2693	1
4	2222603	NUT-LOCK RETAINING	1

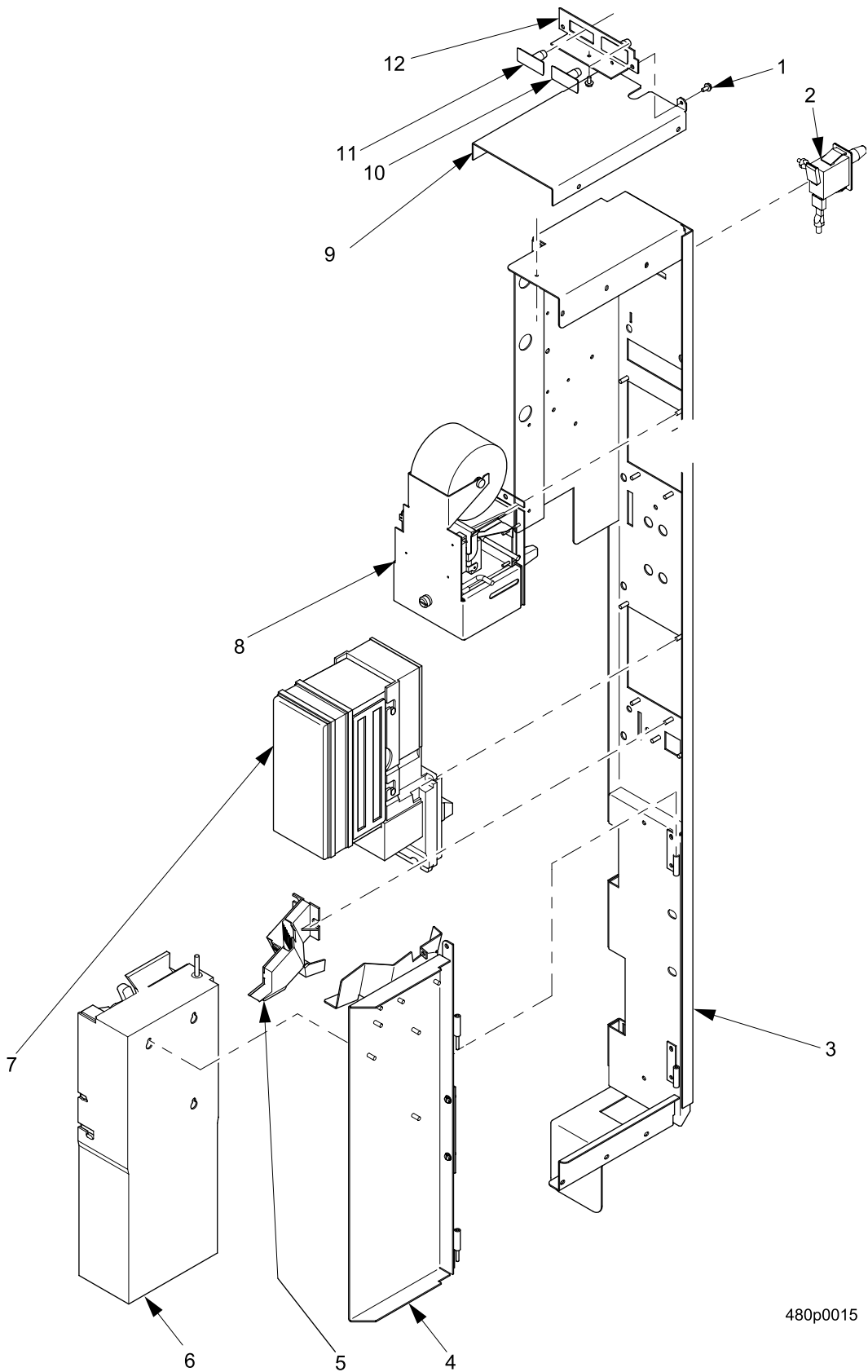


780p0020

FIGURE 30: CONTROL BOARD

TABLE 30: CONTROL BOARD

INDEX	PART NUMBER	DESCRIPTION	QTY
1	7805008	PANEL-MONETARY-WELD ASSY	1
2	7215025	MEMBRANE SWITCH ASSY-PROGRAM	1
3	9989755	PCB ASSY-MAIN CONTROLLER	1
4	1576008	PCB ASSY-SNACK INTERFACE	1
5	1571036	STANDOFF-PCB-.375 KEY SLOT	10
6	7805002	COVER-HOUSING-PCB	1
7	1471199	SCREW-#8-18 X .62 HEX/WH.	2
8	1571034	STANDOFF-PCB-3/8 SCREW MOUNT	2
9	7805001	HOUSING-PCB	1
10	7211229	SLIDE-MONETARY	2



480p0015

FIGURE 31: CARD READER AND BILL VALIDATOR COMBINATIONS

TABLE 31: CARD READER AND BILL VALIDATOR COMBINATIONS

INDEX	PART NUMBER	DESCRIPTION	QTY
1	1451097	SCREW-#8-32X.31 HEX HD.TF-BLK.	4
2	9989594	SWITCH-PUSH/PULL-PNL MTG.	1
3	7805008	PANEL-MONETARY-WELD ASSY	1
4	7805007	BACKBOARD & HINGE ASSY	1
5	1575003	COIN CHUTE ASSEMBLY	1
6	--	COIN MECH (SEE TABLE 31D:)	--
7	--	UPSTACK BILL VALIDATOR (SEE TABLE 31C:)	--
8	--	CARD READER (SEE TABLE 31B:)	--
9	7801078	BRACKET-ALIGNMENT	1
10	1211141	SWITCH	1
11	7801076	BRACKET-INTERLOCK SWITCH-DOM.	1
	7801077	BRACKET-2 INTERLOCK SWITCH-(230V ONLY UNITS)	
12	2366135	SWITCH-INTERLOCK (230V ONLY)	

TABLE 31A: MONETARY CAPABILITY

MONETARY CAPABILITY	MONETARY PANEL LOCATION		WITH COIN?
	UPPER	LOWER	
COIN - VAL - CARD	CARD READER	UPSTACK VALIDATOR	YES
COIN - VAL - CARD	DOWNSTACK VALIDATOR	CARD READER	YES
COIN - VALIDATOR	INSERT INSTRUCTIONS BACK-UP PLATE (1575048)	UPSTACK VALIDATOR	YES
COIN - VALIDATOR	DOWNSTACK VALIDATOR	INSERT INSTRUCTIONS BACK-UP PLATE (1575048)	YES
COIN - CARD	INSERT INSTRUCTIONS BACK-UP PLATE (1575048)	CARD READER	YES
COIN - CARD	CARD READER	INSERT INSTRUCTIONS BACK-UP PLATE (1575048)	YES
VALIDATOR - CARD	DOWNSTACK VALIDATOR	CARD READER	NO
VALIDATOR - CARD	CARD READER	DOWNSTACK VALIDATOR	NO
COIN ONLY	INSERT INSTRUCTIONS BACK-UP PLATE (1575048)	INSERT INSTRUCTIONS BACK-UP PLATE (1575048)	YES
VALIDATOR ONLY	INSERT INSTRUCTIONS BACK-UP PLATE (1575048)	UPSTACK VALIDATOR	NO
VALIDATOR ONLY	DOWNSTACK VALIDATOR	INSERT INSTRUCTIONS BACK-UP PLATE (1575048)	NO
CARD ONLY	CARD READER	INSERT INSTRUCTIONS BACK-UP PLATE (1575048)	NO
CARD ONLY	INSERT INSTRUCTIONS BACK-UP PLATE (1575048)	CARD READER	NO

NOTE:

All items are secured with four nuts (p/n 9900081.)
 Shaded items represent alternate configurations.

TABLE 31B: CARD READER OPTIONS

PART NUMBER	DESCRIPTION
5900246	DEBITEK - KVIS - MDB
1575050	BRACKET - DEBITEK CONTROLLER

TABLE 31C: BILL VALIDATOR OPTIONS

PART NUMBER	DESCRIPTION	HARNESS
5900210	W/MARS VN2512-U5M**MDB**-S	1679054
5900247	W/MARS AE2612-U5M**MDB**-S	1679054
5900290	VALIDATOR-COINCO MAGPRO52R KB	
5900267	P W/CONLUX NBM-3140**MDB**	

TABLE 31D: COIN MECHANISM OPTION

PART NUMBER	DESCRIPTION
5900289	MARS COIN-VN4510*MDB*-DBL
5900279	CONLUX CCM5G-4 1N 1D 2Q 1\$
5900307	MEI CF7512 1N,1D,2Q,\$
5900295	CONLUX 5TB CCM5G1 1D,1N,3Q
5900293	CONLUX CCM56-2 2N,2D,1Q
5900269	COINCO USQ G701 MDB-4 TUBE
5900270	COINCO USQ G702 MDB-2Q,1N,
5900243	MARS TRC6512**"MDB**"COIN
5900213	COINCO 9302-GX**"MDB**"COIN
5900310	MARSCF 7512 2Q,2N,1D
5900313	COINCO VORTEX CHANGER
5900214	COINUNIT-MEI-VN4510-5/10/25/\$1
5900276	COIN UNIT-VN4510-5/10/25/25 KB

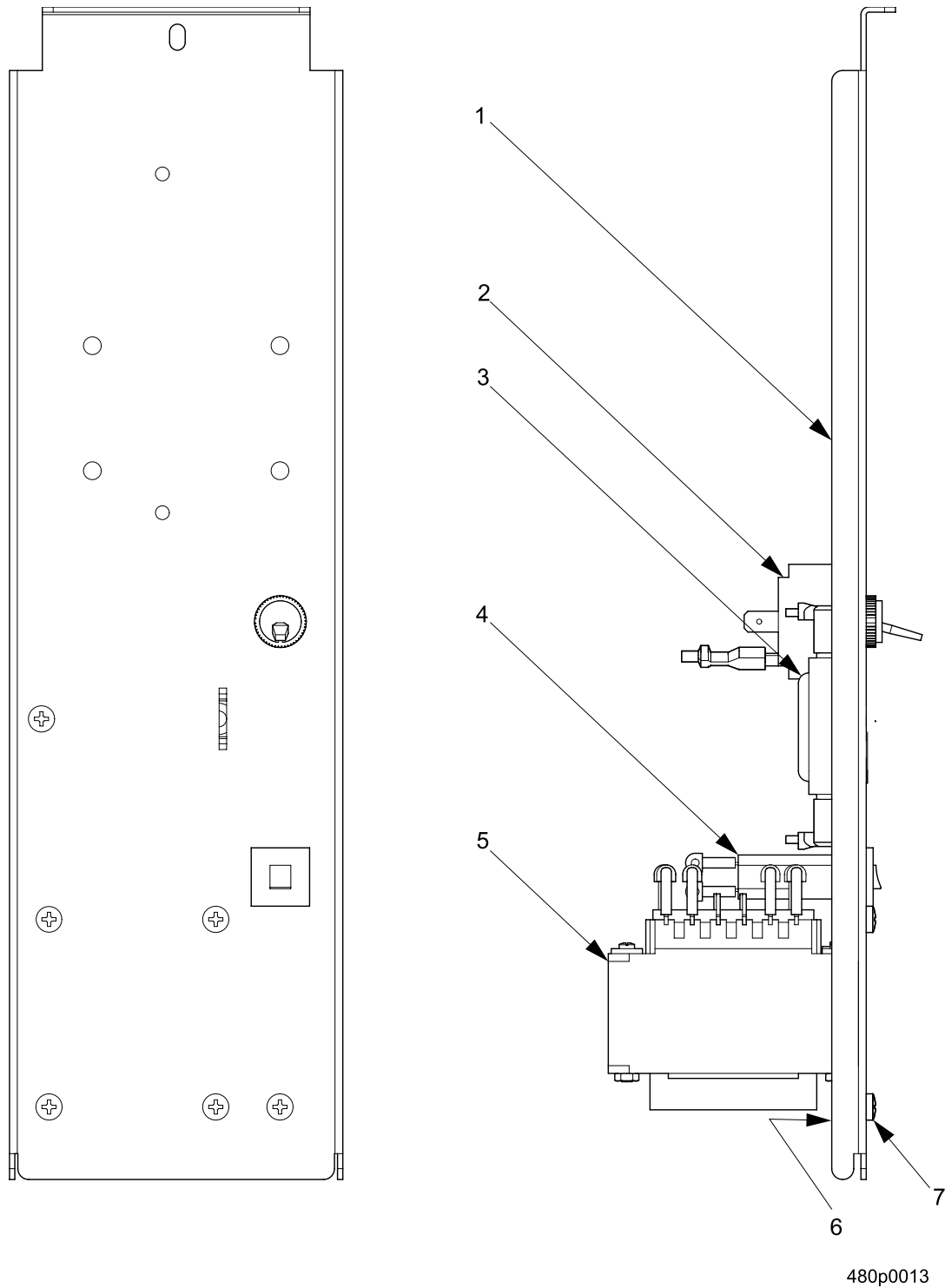


FIGURE 32: POWER PANEL ASSY

TABLE 32: POWER PANEL ASSY

INDEX	PART NUMBER	DESCRIPTION	QTY
--	3281092	POWER PANEL ASSY-DOM. 20 AMP	--
	4521053	POWER PANEL ASSY-230V-U.K.	
1	1701037	PLATE-HOUSING-PANEL(CP7-7)	1
2	9984629	SWITCH-TOGGLE-DPST-20AMP	1
3	9989100	INTERFERENCE FILTER	1
4	9989674	CIRCUIT BREAKER-4 AMP	1
5	9989046	24V XFMR-DUAL PIR.-.187 TERM.	1
6	9900081	NUT #8-32 KEPS ZINC PLATE	6
7	9900118	SCREW-#8-32 X 3/8 PHS	6

TABLE 33: HARNESSSES

CONNECTOR	HARNESS	PART NUMBER
J1	HARNESS-MAIN CONTROL TO SENSOR	1679012
J2	HARNESS-EMITTER TO DETECTOR	1679013
J30	CABLE RIBBON-16 CONDUCTOR	1579008
J31	JUMPER-TEMP & DRIVER	7809001
J33	HARNESS-CONTROL TO DISPLAY	1599200
J34	HARNESS-MAIN CONTROL TO SENSOR	1679012
J35	HARNESS-POWER PANEL	6739021
J37	HARNESS-24VAC PCB & COIN POWER	9989750
J38	HARNESS-24VAC PCB & COIN POWER	9989750
J39	HARNESS-MONETARY***"MDB"***	1679054
J45	HARNESS-CONTROL TO DISPLAY	1599200
J46	MEMBRANE SWITCH ASSY-SELECT	7215019
J47	SWITCH ASSY-FREE VEND	9989639
J48	JUMPER-MONETARY DOOR SWITCH	1579009
J49	SERVICE KEYPAD ASSEMBLY	1575046
J50	JUMPER-DOOR POWER	7809020
J51	JUMPER-DOOR POWER	7809020
J52	JUMPER-DOOR POWER	7809020
J53	JUMPER-DOOR POWER	7809020
J55	CABLE RIBBON-16 CONDUCTOR	1579008
J58	HARNESS-7 TRAY CHANNEL	7809011
J59	HARNESS-7 TRAY CHANNEL	7809011
J60	HARNESS-7 TRAY CHANNEL	7809011
J61	HARNESS-24VAC PCB & COIN POWER	9989750

TABLE 33: HARNESSSES

CONNECTOR	HARNESS	PART NUMBER
J71	HARNESS-COMPRESSOR & FAN	7809022
J82	HARNESS-POWER PANEL	6739021
J83	HARNESS-POWER PANEL	6739021
J90	HARNESS-COMPRESSOR & FAN	7809022
J92	HARNESS-24VAC PCB & COIN POWER	9989750
J93A	HARNESS-24VAC PCB & COIN POWER	9989750
J94	HARNESS-POWER PANEL	6739021
J96	JUMPER-TRANSFORMER-120V-PRM.	1709001
J97	HARNESS-POWER PANEL	6739021
J100	JUMPER-INTERLOCK-DOMESTIC	1579010
J127	HARNESS-COMPRESSOR & FAN	7809022
J133	HARNESS-LIGHT & FILTER ASSY	7809005
J133A	HARNESS-LIGHT & FILTER ASSY	1679005
J135	JUMPER BALLAST & HEATER	7809021
J179	JUMPER-COMP & EVAP FAN	7809003

TABLE 33A: BAG ASSEMBLY

PART NUMBER	DESCRIPTION
B4800001X	BAG ASSEMBLY:15
WD780005	W.D. RC-1 115V-230
1477015	ROLL-PRICE DOLLARS (KB)
1477083	RETAINER-SPIRAL-WALL
1577047	LABEL-ITEM LETTERS-A0-A9
1577048	LABEL-ITEM LETTERS-B0-B9
1577049	LABEL-ITEM LETTERS-C0-C9
1577050	LABEL-ITEM LETTERS-D0-D9
1577051	LABEL-ITEM LETTERS-E0-E9
1577052	LABEL-ITEM LETTERS-F0-F9
4800002	OPERATORS GUIDE RC-1
7809023	LIST HARNESS-RC-1

Refreshment Center Parts Manual

Part Number Index

Part Number	Page	Part Number	Page	Part Number	Page
1101906	23	1477048	51	1572318	17
1127808	61	1477050	51	1572319	17
1211105	57	1477051	51	1572320	17
1211141	65	1477053	51	1572330	17
1211161	27, 31	1477054	51	1572334	17
1411194	37	1477056	51	1572335	17
1411195	37	1477057	51	1572353	13
1451097	3, 21, 27, 31, 33, 65	1477059	51	1572356	17
1457061	51	1477060	51	1572357	17
1457062	51	1477062	51	1572386	17
1457063	51	1477063	51	1572387	17
1457064	51	1477073	51	1572407	17
1457065	51	1477074	39	1572408	17
1467137	51	1477083	70	1572410	15
1470761	23	1477097	39, 43	1572416	13, 15
1470811	39	1477098	51	1572417	15
1470812	43	1477099	51	1572420	13
1471098	35	1477100	51	1572421	13
1471199	63	1477101	51	1572423	13
1471237	35	1477102	51	1572424	15
1472223	61	1477103	51	1572425	13
1472251	59	1477104	51	1572452	13
1472273	50	1477105	51	1575003	61, 65
1472274	50	1477106	51	1575010	59
1475026	61	1477107	51	1575029	59
1475072	61	1477113	41, 45, 49	1575035	59
1475089	59	1477123	50	1575046	69
1477014	50	1477134	39, 43	1575048	59, 66
1477015	50, 70	1477148	39, 43	1575050	67
1477017	39, 43, 47	1477149	51	1575091	59
1477020	41	1477150	51	1575106	5
1477022	41	1477152	51	1576008	63
1477023	51	1477153	51	1577003	50
1477024	51	1477155	51	1577004	50
1477026	51	1477157	39, 43	1577005	50
1477027	51	1477175	39, 43, 47	1577006	50
1477029	51	1571034	63	1577007	50
1477030	51	1571036	63	1577038	41, 45, 49
1477032	51	1571074	21	1577040	39, 43
1477033	51	1571079	61	1577047	47, 70
1477035	51	1571113	61	1577048	47, 70
1477036	51	1571115	35	1577049	47, 70
1477038	51	1572010	5	1577050	47, 70
1477039	51	1572011	5	1577051	47, 70
1477041	51	1572205	50	1577052	47, 70
1477042	51	1572206	50	1579008	69
1477044	51	1572303	17	1579009	69
1477045	51	1572304	17	1579010	70
1477047	51	1572315	13, 15	1581050	37
		1572316	17	1595014	59

Part Number Index**Refreshment Center Parts Manual**

Part Number	Page	Part Number	Page	Part Number	Page
1596014	31, 33	4304092	57	6231034	53
1597001	39	4304236	57	6231037	61
1597002	43	4311068	35	6231087	37
1599024	49	4312217	47	6231242	21
1599200	69	4314014	29	6232031	5, 25
1670912	5	4314055	57	6232036	25
1670913	5	4321042	53	6237049	61
1670914	5	4321150	21	6332009	27
1672050	19	4321156	21	6732034	9, 27
1672051	19	4321175	33	6739021	69, 70
1672065	50	4324004	55, 57	7211229	63
1676000	19	4324006	55	7214014	57
1676011	19	4324012	57	7215019	59, 69
1677193	39, 43	4324013	57	7215025	63
1679005	70	4324014	57	7801015	53
1679010	41	4324016	57	7801036	53
1679011	45	4324025	55	7801046	31, 33
1679012	69	4324027	55	7801049	31, 33
1679013	69	4324030	55	7801052	31, 33
1679054	67, 69	4324044	57	7801055	47
1687001	50	4364034	55	7801061	53
1687002	50	4402043	29	7801062	53
1701037	69	4407822	51	7801064	53
1709001	70	4521053	69	7801073	21
2204093	61	4721035	13	7801074	21
2221920	23	4727069	53	7801075	21
2222031	39, 43, 47	4741050	61	7801076	65
2222603	23	4744031	29	7801077	65
2222604	23	4774122	57	7801078	29, 65
2228011	61	4800002	70	7801081	35
2302053	61	5201267	43	7801096	25
2302218	9, 27	5560113	39, 43, 47	7801107	21
2342315	9	5900210	67	7801120	21
2366135	65	5900213	67	7801124	21
3104124	29	5900214	67	7801125	27
3122056	61	5900243	67	7801126	27
3128063	53	5900246	67	7801127	27
3151058	27	5900247	67	7801131	29
3154059	53	5900267	67	7801132	53
3281092	69	5900269	67	7801137	53
3502078	47	5900270	67	7801138	53
4241148	31, 33	5900276	67	7801139	29
4242145	25	5900279	67	7801141	27
4244009	55	5900289	67	7801142	27, 31, 33
4245083	5	5900290	67	7801143	21
4245085	5	5900293	67	7801144	29
4274000	57	5900295	67	7801145	29
4301285	7	5900307	67	7801147	21
4302134	31	5900310	67	7801148	29
4304076	55	5900313	67	7801150	29

Refreshment Center Parts Manual

Part Number Index

Part Number	Page	Part Number	Page	Part Number	Page
7801151	29	7804001	55	9725005	59
7801152	29	7804006	55, 57	9900030	39, 43, 47
7801153	27	7804008	55	9900081	13, 57, 69
7801154	21	7804010	55, 57	9900098	37
7801155	29	7804011	55	9900106	61
7801157	33	7804013	29	9900118	69
7801159	31, 33	7805001	63	9900141	17
7801162	53	7805002	63	9900160	5
7801163	53	7805007	61, 65	9900184	13, 15
7801165	31, 53	7805008	63, 65	9900218	35
7801166	31, 33	7805009	61	9900437	13, 15
7801168	21	7807000	47	9983778	21
7801169	31	7807001	47	9984629	69
7801170	31	7807002	47	9985887	33
7801174	31	7807003	51	9987852	31, 33
7801175	31	7807005	47	9989046	69
7801181	31, 33	7807011	51	9989100	69
7801182	53	7807015	51	9989594	65
7802010	11	7807016	51	9989639	69
7802011	7	7809001	69	9989674	69
7802017	7	7809003	70	9989750	69, 70
7802018	11	7809005	9, 27, 70	9989755	63
7802019	9	7809007	49	9989821	41, 45, 47, 49
7802024	11, 13, 15	7809011	69	9989886	21
7802030	11	7809020	69	9989887	21
7802031	7	7809021	70	9995002	5
7802032	13, 15	7809022	70	9995400	5
7802033	13, 15	7809023	70		
7802034	19	9422000	5		
7802035	11	9422002	5	A	
7802036	11, 13, 15	9422005	5, 7	AP118-10-12	5
7802043	19	9422006	5	AP13100025	5
7802049	7	9625015	59	AP438-10	5
7802050	7	9625016	59		
7802051	9	9722002	3, 5	B	
7802062	25	9722003	3	B4800001X	70
7802067	59	9722004	3		
7802072	7	9722006	3, 7	W	
7802073	13	9722008	5	WD780005	70
7802077	11	9722009	3		
7802078	11	9722010	3		
7804000	55	9725004	59		

