







A COMMITMENT TO SAFETY

The Vendo Company is committed to safety in every aspect of our product design. Vendo is committed to alerting every user to the possible dangers involved in improper handling or maintenance of our equipment. The servicing of any electrical or mechanical device involves **potential hazards**, both to those servicing the equipment and to users of the equipment. These hazards can arise because of improper maintenance techniques. The purpose of this manual is to alert everyone servicing Vendo equipment of potentially hazardous areas, and to provide **basic safety guidelines** for proper maintenance.

This manual contains various **warnings** that should be carefully read to minimize the risk of personal injury to service personnel. This manual also contains service information to insure that proper methods are followed to avoid damaging the vendor or making it unsafe. It is also important to understand these **warnings** are not exhaustive. Vendo could not possibly know, evaluate, or advise of all of the conceivable ways in which service might be done. Nor can Vendo predict all of the possible hazardous results. The safety precautions outlined in this manual provide the basis for an effective safety program. Use these precautions, along with the service manual, when installing or servicing the vendor.

We strongly recommend a similar commitment to safety by every servicing organization. Only **personnel properly trained** in vendor servicing **should have access to the interior of the machine**. This will minimize the potential hazards that are inherent in electrical and mechanical devices. Vendo has no control over the machine once it leaves the premises. It is the owner or lessor's responsibility to maintain the vendor in a safe condition. See Section I of this manual for proper installation procedures and refer to the appropriate service manual for recommended maintenance procedures. If you have any questions, please contact the Technical Services Department of the Vendo office nearest you. Refer to the listing at the back of this manual.

SAFETY RULES

-  Read the Safety Manual before installation or service
-  Test for proper grounding before installing to reduce the risk of electrical shock and fire.
-  Disconnect power cord from wall outlet before servicing or clearing product jams. The vending mechanism can trap and pinch hands.
-  Use only fully trained service technicians for "Power On" servicing.

Vendo®

- Use adequate equipment when moving a vendor.
- Always wear eye protection, and protect your hands, face, and body when working near the refrigeration system.
- Use only authorized replacement parts.
- Be aware of inherent dangers in rocking or tipping a vending machine.



SECTION I: VENDOR INSTALLATION

- A. Vendors are large, bulky machines of significant size and weight. Improper handling can result in injury. When moving a vendor, carefully plan the route to be taken and the people and equipment required to accomplish the task safely.
- B. Remove all tape, shipping sealant, and Styrofoam from the vendor. Loosen any shipping devices used to secure interior parts during shipping. Remove the wooden shipping base, attached to the vendor base by the vendor leveling screws. Make certain the leveling screws are in place and functional.
- C. Position the vendor three to four inches (7.6 cm to 10.2 cm) from a well-constructed wall (of a building or otherwise) on a flat, smooth surface.

IMPORTANT: *The vendor requires three inches (7.6 cm) of air space from the wall to ensure proper air circulation to cool the refrigeration unit.*

- D. Adjust the leveling screws to compensate for any irregularities on the floor surface. Ideally, no adjustment will be necessary and the leveling legs will be flush with the bottom of the vendor. A spirit level is a useful aid to level the vendor. When the vendor is properly leveled, the outer door, when opened, will remain stationary. Vendors must be level to assure proper operation and to maintain stability characteristics. Do not add legs to the vendor.
- E. Check the manufacturer's nameplate on the left or right side of the vendor outer door to verify the main power supply requirements of the vendor. Be sure the main power supply matches the requirements of the vendor. To ensure safe operation, plug the vendor only into a properly grounded outlet. **DO NOT USE EXTENSION CORDS.**

NOTE: Any power supply variance more than $\pm 10\%$ may cause vendor to malfunction.

* Power outlets must be properly **grounded**.

* Power outlets must be properly **polarized**, where applicable.

Test the outlets using the following information. (Refer to Figure 1 on Page 3.)

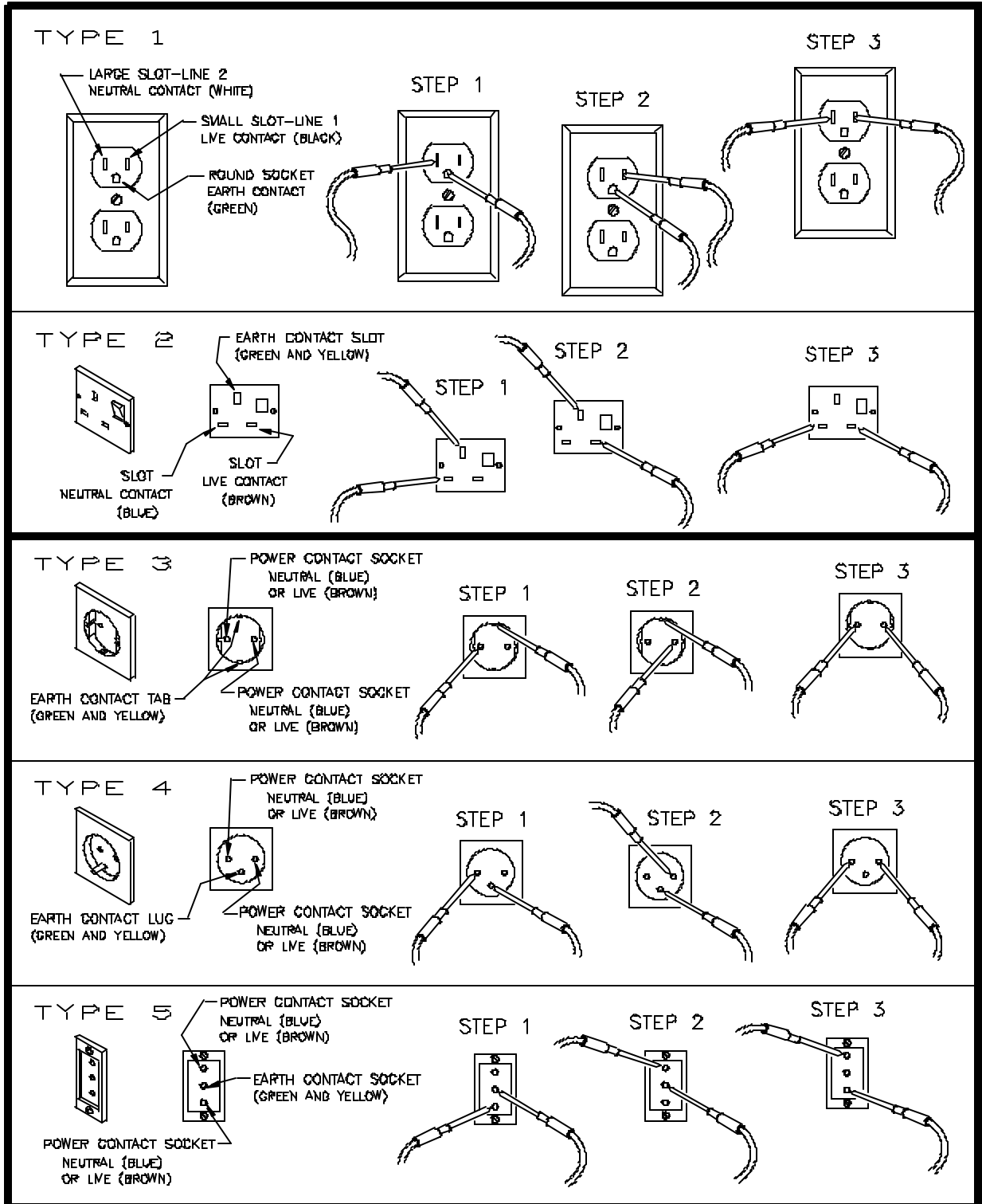


FIGURE 1



SECTION I: VENDOR INSTALLATION (CONT'D)

For Type 1 and Type 2 outlets, test for Grounding and Polarization as follows:

1. With a test device (volt meter or test light), connect one probe to the receptacle's Neutral contact and the other to the Live contact. The test device should show a reaction.
2. Connect one probe to the receptacle's Earth contact and the other to the Live contact. The test device should show a reaction.

For Type 3 through Type 5 outlets, test for Grounding as follows:

1. With a test device (volt meter or test light, determine which of the receptacle's Power contacts is the Live contact.)
 - A. Connect one probe to the receptacle's Earth contact.
 - B. Connect the second probe to the left (or upper) Power contact. If a reaction occurs, this is the Live Power contact. If a reaction does not occur, move the second probe to the right (or lower) contact. A reaction should occur, indicating that this is the Live Power contact.
2. Connect one probe to the receptacle's Live Power contact (as determined in step 1). Connect the second probe to the other Power contact (neutral). The test device should show a reaction.

IF THE ABOVE CONDITIONS ARE NOT MET FOR THE GIVEN OUTLET TYPE, CONTACT A LICENSED ELECTRICIAN AND HAVE THE NECESSARY CORRECTIONS MADE.

- F. Ambient temperature operating range for this vendor is +5°F to +113°F (-15°C to +45°C). The climatic rating of this vendor is "N" (Normal).



SECTION I: VENDOR INSTALLATION (CONT'D)

G. Door Support (Fig. 2)

The door support may be raised or lowered by adding or removing shims, to insure that the outer door closes squarely to the cabinet. Raising or lowering the door support can also insure proper alignment of the door latch.

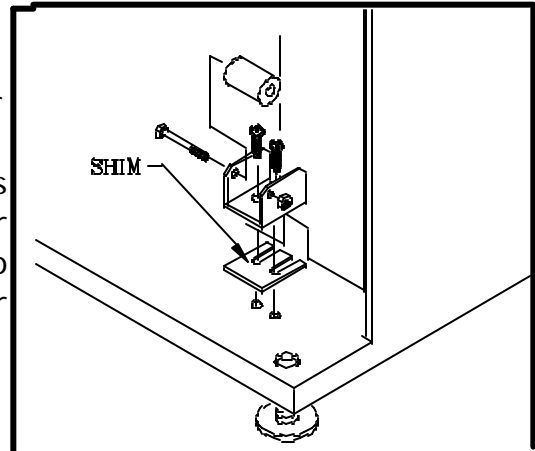


FIGURE 2

H. Door Latch Alignment (Fig. 3)

After any door adjustment, the floating Quicker Lock assembly should align itself automatically. The latch assembly is adjustable. To adjust, loosen the latch bracket mounting screws, and raise or lower the latch assembly into position, then tighten the mounting screws.

FIGURE 3

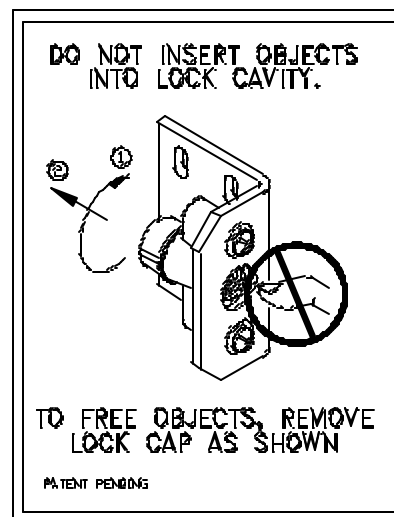
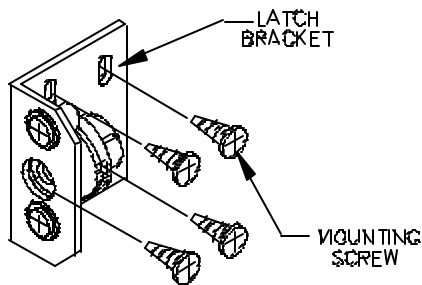


FIGURE 4

WARNING:

KEEP FINGERS AND OTHER OBJECTS OUT OF LOCK CAVITY



NOTE: Refer to the Appropriate Parts and Service Manual for Detailed Instructions, Operating Principles, and Recommended Maintenance Intervals and Procedures.



SECTION II: ELECTRICAL HAZARDS

GENERAL

Vendo vending machines are provided with the appropriate power supply setting for your area. Some models are equipped with step-down transformers, as required, enabling the vending machines to operate on different mains voltages. Refer to section I. E. for information to determine the main power requirements. Refer to the appropriate Service Manual for details of step-down transformer operation.

The power sources mentioned above are standard for both household and commercial lighting and appliances. However, careless or improper handling of electrical circuits can result in injury or death. Anyone installing, repairing, loading, opening, or otherwise servicing a vending machine should be alerted to this point. Apply all of the normal precautions observed in handling electrical circuits, such as:

- Refer servicing to qualified personnel only.
- Unplug the vendor before servicing or clearing product jams.
- Replace electrical cords if there is any evidence of fraying or other damage.
- Keep all protective covers in place.
- Plug equipment into outlets that are properly polarized (where applicable), and protected with fuses or circuit breakers.
- All electrical connections must be dry and free of moisture before applying power.

A. Grounding Systems

Vendo vending machines are provided with the appropriate service cord for the power supply in your area. The service cord will connect to the matching electrical outlet. Always ensure that the outlet to be used is properly grounded (and polarized where applicable) before plugging in the vendor. (See pages 3 and 4).

WARNING:

**ALWAYS TEST TO VERIFY PROPER GROUNDING PRIOR TO
INSTALLATION, IN ORDER TO REDUCE THE RISK OF
ELECTRICAL
SHOCK AND FIRE**



The electrical grounding system also includes the bonding of all metal components within the vendor. This involves a system of bonding wires identified by green or green and yellow marking. The system uses serrated head screws, lock washers, and star washers to assure the electrical connection between parts. Maintenance of vending equipment may involve disassembly. Include the above items when reassembling, even if the vending machine may appear to function normally without them. Omitting any of these items can compromise a link in the grounding system. See the appropriate Service Manual or kit instructions for components and assembly instructions.

SECTION II: ELECTRICAL HAZARDS (CONT'D)

B. Servicing with "Power Off"

For maximum safety, unplug the service cord from the wall outlet before opening the vendor door. This will remove power from the equipment and avoid electrical and mechanical hazards. Service personnel should remain aware of possible hazards from hot components even though electrical power is off. See the appropriate sections of this manual for further information.

C. Servicing with "Power On"

Some service situations may require access with power on. Power-on servicing should be performed **only** by fully qualified service technicians. Particular caution is required in servicing assemblies that combine electrical power and mechanical movement. Sudden movement (to escape mechanical action) can result in contact with live circuits and vice versa. It is therefore doubly important to maintain maximum clearances from both moving parts and live circuits when servicing.

WARNING:

**"POWER-ON" SERVICING SHOULD BE ACCOMPLISHED
ONLY BY
FULLY TRAINED PERSONNEL. SUCH SERVICE BY
UNQUALIFIED
INDIVIDUALS CAN BE DANGEROUS.**



NOTE: For Power-On servicing of vendors with a **door power switch**, it is necessary to activate the switch when the outer door is open. This is accomplished by one of the following methods:

1. Straight Plunger Switch: Pull plunger forward.
2. Protected Plunger Switch: Place key (provided) in position to hold plunger inward.



SECTION III: MECHANICAL HAZARDS

A. Servicing of Moving Parts and Assemblies

When servicing assemblies involving moving parts, **use extreme caution!!** Keep fingers, hands, loose clothing, hair, tools, or any foreign material clear of entrapment.

As noted before under the Electrical Hazards section, "Power On" servicing should **only** be performed by qualified personnel. Refer to and heed the warnings noted in Electrical Hazards section. These warnings refer to the potential hazards associated with electrical power and moving parts. Always maintain maximum clearances from electrical and moving parts.

Always install protective covers and guards when reassembling equipment.

B. Product Conversions

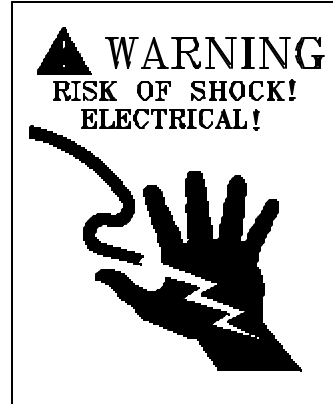
See the Service Section of the appropriate Service Manual for stack (or module) conversion procedures. Improper installation of product shims or spacers can result in product jams.

WARNING:

ALWAYS UNPLUG OUTLET CORD BEFORE ATTEMPTING TO CLEAR PRODUCT JAMS, TO PREVENT ENTRAPMENT OF HANDS IN MECHANISM.

WARNING:

THIS VENDING MACHINE INCLUDES MECHANICAL EQUIPMENT WHICH CAN BE HAZARDOUS IF IMPROPERLY HANDLED OR SERVICED. USE CAUTION AND CONSULT THE VENDO SAFETY MANUAL AND THE VENDO SERVICE MANUAL FOR ADDITIONAL SAFETY INFORMATION



SECTION IV: REFRIGERATION HAZARDS

GENERAL

Refrigeration systems involve both electrical power and mechanical action. These systems may present any of the potential dangers shown in the sections on Electrical and Mechanical Hazards contained in this manual. See Sections II and III for further information.

A. Compressed Refrigerant

Refrigeration systems involve the compression and evaporation of gases. The pressures contained represent a potential hazard if suddenly released in confined areas. Caution is required when performing maintenance tests or repairs. All testing of sealed refrigeration systems should be done by trained personnel who are familiar with the systems and pressures involved.

B. Physical Protection

The accidental release of refrigerant gases can result in physical injuries. Always wear protective glasses and protect your hands, face, and body when working near the refrigeration system.

WARNING:

ALWAYS WEAR EYE PROTECTION AND PROTECT YOUR HANDS, FACE, AND BODY WHEN WORKING NEAR THE REFRIGERATION SYSTEM.

SECTION V: TEMPERATURE HAZARDS



GENERAL

Maintenance personnel should be alert to the potential hazards from hot metal surfaces. High temperatures may be present throughout the refrigeration system although electrical power has been removed



SECTION VI: SUBSTITUTIONS AND MODIFICATIONS

GENERAL

Unauthorized changes or the substitution of unauthorized parts can compromise the equipment designs. This can result in unsafe conditions for either the service personnel or the equipment users. Always refer to the appropriate Parts and Service Manual for replacement parts and maintenance instructions. If questions arise, contact the Technical Services Department of the Vendo office in your area. (Consult the listing at the end of this manual.)

When servicing the vending machine, always reassemble all components to their original location and position. Maintain the correct routing for tubing, electrical wiring, etc. Replace all clamps, brackets, and guides to their original locations. Replace all tubing, sleeving, insulating material, and protective covers to their original condition.

WARNING:

VENDO EQUIPMENT HAS BEEN PROVIDED WITH APPROPRIATE PROTECTIVE DEVICES TO PROTECT AGAINST THE POSSIBILITY OF OVERHEATING AND FIRE, AS A RESULT OF EQUIPMENT OR COMPONENT FAILURES. SUBSTITUTION, MODIFICATION, OR BYPASSING OF SUCH PROTECTIVE DEVICES CAN CREATE DANGEROUS CONDITIONS. PROTECTIVE CIRCUITS SHOULD NEVER BE BYPASSED, AND FAILED PROTECTIVE DEVICES MUST BE REPLACED ONLY WITH FACTORY-AUTHORIZED PARTS.

A. Service Cord Replacement

Vendo vending machines are furnished with unique power supply cords. If replacement becomes necessary, consult the appropriate Parts and Services Manual and order the correct replacement cord for the model of vending machine in question. Do not use substitute replacement cords. Only authorized service personnel with appropriate training should replace the vending machine service cord. If a question should arise concerning which service cord to order, contact the Technical Services Department of the Vendo office in your area for assistance.



SECTION VI: SUBSTITUTIONS AND MODIFICATIONS (CONT'D)

B. Service Cord Replacement (For 240 Volt System Used in the United Kingdom)

As the color of the wires in the mains lead of the vending machine may not correspond with the colored markings identifying the terminals in your plug, proceed as follows:



The wire which is colored **Green and Yellow** must be connected to the terminal in the plug which is marked with the letter **E** or by the earth symbol or colored **Green** or **Green and Yellow**.

The wire which is colored **Blue** must be connected to the terminal which is marked with the letter **N** or colored **Black**.

The wire which is colored **Brown** must be connected to the terminal which is marked with the letter **L** or colored **Red**.

Should the plug on the flexible cord not be the type for your socket outlets, do not use an adapter, but remove the plug from the cord and discard. Carefully prepare the end of the supply cord and fit a suitable plug.

WARNING:

THIS APPLIANCE MUST BE EARTHED

IMPORTANT

The wires in the mains leads are colored in accordance with the following code:

Green and Yellow	Earth
Blue	Neutral
Brown	Live



SECTION VII: CONSUMER SAFETY WARNING

WARNING:

VENDOR CAN BE OVERTURNED IF SUFFICIENT FORCE IS APPLIED, AND MAY RESULT IN SERIOUS INJURY OR DEATH.


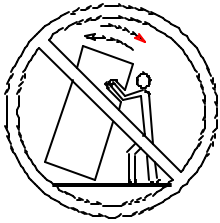
GENERAL

There have been incidents, including fatalities, when vending machines have been vandalized by being pulled over in an attempt to obtain free product or money.


To warn of the danger involved in tipping, shaking, or rocking the vending machine, a decal has been designed to be affixed to vending machines. (One such decal is supplied with the vending machine.) Vendo will supply sufficient decals to be placed on all machines, on request. If you have any questions, contact the Vendo office in your area. (Consult the listing at the end of this manual.)

THE FOLLOWING DECAL SHOULD BE PLACED IN A POSITION ON THE VENDOR CONTROL PANEL AT EYE LEVEL.

Vendo®


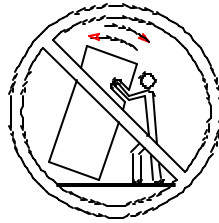
 WARNING

<p>Never rock or tilt. Machine can fall over and cause serious injury or death.</p> <p>Vending machine will not dispense free product.</p> <p>589611A</p>

ENGLISH

 MISE EN GARDE

<p>Ne jamais secouer ou incliner. Le distributeur peut se renverser et causer des blessures graves ou la mort.</p> <p>Cette machine ne distribue pas de produits gratuitement.</p> <p>589611-1A</p>

FRENCH

 AVISO

<p>Nunca voltie o incline esta maquina. Puede caer sobre usted y causarle heridas graves o matarle.</p> <p>Esta Vendomatica no provee producto gratis.</p> <p>589611-2A</p>

SPANISH



PARTS, SALES, & SERVICE CENTERS OF VENDDO/SANDEN COMPANYY

AREA	ADDRESS	PHONE NUMBERS
United States, Canada	The Vendo Company 7209 N. Ingram Fresno, CA 93650 U.S.A.	Tel: (209) 439-1770 Fax: (209) 439-2083
Japan	Sanden International Corporation 31-7 Taito 1-Chome Taito-ku Tokyo 110, Japan	Tel: (03) 3835-1321 Fax: (03) 3835-3169
Europe, Mid-East, Africa, U.S.S.R.	Vendo GMBH Spangerstr. 22 D-40599 Dusseldorf Germany	Tel: (211) 746012 Fax: (211) 7488541
Australia, New Zealand	Sanden International Pty. Ltd. 54 Allingham St., Condell Park N.S.W. 2200 Australia	Tel: 2-7910999 Fax: 2-7919029
Singapore, Hong Kong, Indonesia, Philippines, India	Sanden International (Singapore) Pte., Ltd. Sanden House, 25, Ang Mo Kio st. Y5 Singapore 2056 The Republic of Singapore	Tel: 4825500 Fax: 4825039
Taiwan	Sanden International Taiwan Corp. 7th Floor, No. 16, Alley 56, Lane 181 Sec. 4 Chunghsiao E. Rd., Taipei Taiwan, Republic of China	Tel: 2-751-2266 Fax: 2-731-3903
Belgium	N.V. Vendo Benelux, S.A. Industrial Research Park N.O.H. St. Lendriksborre 13 Font St. Landry B-1120 Brussels Belgium	Tel: (2) 2682595 Fax: (2) 2682862
England	Vendhall, Ltd. Unit 17, The Basingstoke Centre Westham Lane, Worting Rd, Basingstoke Hants RG22, 6NQ Great Britain	Tel: (01256) 479309 Fax: (01256) 844469
Italy	Vendo Italy S.p.A. Casella Postale 9 1-15033 Casale Monferrato Italy	Tel: (142) 76391 Fax: (142) 562348



Spain	Vendo Iberia, S.A. C/C Sant Ferran No. 92 Poligono Industrial la Almeda E-08940 Cornellà (Barcelona), Spain	Tel: (03) 4741555 Fax: (03) 4741842
-------	--	--

**PARTS, SALES, & SERVICE CENTERS OF VENDO/SANDEN COMPANY
FOR LATIN AMERICA**

AREA	ADDRESS	PHONE NUMBERS
Mexico	Vendo de Mexico Camino Real de Toluca No. 154 Col. Bellavista 01140 Mexico D.F. Mexico	Tel: (525) 515-9745 Fax: (525) 277-0111
Central America	Midland Inter-American, Inc. 700 West 48th Street Kansas City, MO 64112 U.S.A.	Tel: (816) 561-5788 Fax: (816) 531-5544
Chile	Sidex San Juan 4519 - San Joaquin Santiago de Chile	Tel: (562) 553-1001 Fax: (562) 552-1982
Brazil	Cimaq Industria e Comercio de Maq, Ltda. Estrada Uniao e Industria, 9.120 Itaipava 25730-730 Petropolis Rio de Janeiro, Brazil	Tel: (55242) 22-2666 Fax: (55242) 22-3244
South America	The Vendo Company 7209 N. Ingram Ave. Fresno, CA 93650 U.S.A.	Tel: (209) 439-1770 Fax: (209) 439-2083



III. DOOR CLOSED MODE

1. CUSTOMER INTERFACE

In this mode the controller will accept coins, bills, and/or debit card. It will display credit and vend price, and monitor selection switches; if pressed, the control will vend a selected product and pay out change as required. To enter this mode, close the door.

BEFORE CREDIT IS ESTABLISHED

BEFORE CREDIT IS ESTABLISHED		
Press any Selection	If all price setting are not the same	Display will show Selection Price
	If all prices are set the same	Display will show product price
	If selection is sold-out or jammed	Display will show Selection Price

AFTER CREDIT IS ESTABLISHED

After credit is established	Credit amount is displayed
Press any selection button	
If "Try Another Selection" LED and/or "Sold Out" is flashing	Column is sold-out, selection has been temporarily turned off, jammed, or has insufficient credit
If "Use Correct Change" LED is flashing	Cannot make change -- use correct change
If "Try Another Selection" LED remains illuminated and "Sold Out" flashes continuously	All columns are sold-out

NOTE: If credit is established, and selection is not made, any credit remaining for 5 minutes will be removed, and the money will not be paid back. Money not returned will not be added to the MIS data base.



2. DOOR-CLOSED DATA RETRIEVAL TROUGH DIGITAL DISPLAY

NOTE: Any selections that are set to free vend, that are included in the 4-digit password number, will not allow closed-door data retrieval.

WHILE IN DOOR CLOSED MODE

Enter the 4-digit programmable password by pressing four SEL SW's in sequence within 5 seconds	display will scroll between "SALE" and the historical sales "XXXX"
Press SEL SW #2 to display the total sales of selection 1 (SL 1)	Display will scroll between "SL1" and "XXXX"
Press SEL SW #2 again to display the total sales of the next selection, and repeat this step as required to view other selections	Display will scroll between the next "SL X" and "XXXX", where "SL X = SL 1, SL 2, ..., SL10)
To reset the sale register of each selections, press and hold SEL SW #1 and #4 for 3 seconds while "SL 1" through "SL 10" is displaying, or	Display will show "0000" for 3 - 5 seconds before returning to Door Closed Mode
Wait for 15 seconds to allow the control to automatically return to the Door Closed Mode	Display will show one of the followings: 1. "ICE COLD COCA COLA" 2. Selection Price 3. ".00"

NOTE:

The sale and cash registers of each selection are resettable and they will store at least four digit decimal numbers; however, the historical total sale and cash registers are not resettable. Each resttable registers will accumulate up to 9999 before rolling over to 0000.

CAUTION:

To control inventory, a reading should be taken before opening the door, and prior to pressing SEL SW [#1 & #4], or performing a DEX download. If a reading is not taken and a DEX download is performed, the resettable registers might be reset.



IV. DOOR OPEN MODE

1. AUTOMATIC DISPLAYING OF HISTORICAL SALES AND CASH DATA

This mode is for viewing the historical sales and cash upon opening the door. It is available only if the configuration parameter C4 is set to 1 (Section 3.11). If C4 is set to 0, the summary error list will be displayed or "nonE" will be shown for 5 seconds before the control returns to door-open-standby mode.

Open the inner door and the outer door	Display will automatically cycle through: "SALE," "XXXX," "XXXX" "CASH," "XXXX," "XXXX" "Error" or "nonE"
Close the door to exit data retrieval mode, or	Display will show one of the following: 1. "ICE COLD COCA COLA" 2. Selection Price 3. ".00"
press mode switch to enter "Error" mode (see "Error" section IV.2 for details)	Display will show "Error"



2. ERROR DIAGNOSTICS/ERROR CODES

This mode provides more details of error codes that have occurred since the last error reset. The table below lists all the errors and their error subcodes.

SUMMARY ERROR LIST	ERROR SUBCODE
"nonE" = No Error	
"COLJ" = Column Jam	"CJ xx", where "xx" is a column number
"door" = Door open for more than 1 hour	"dS" is door switch
"SELS" = Selection Switch Stuck	"SSxx", where "xx" is a selection switch number
"CHAR" = Coin Changer Error	"CC" = Changer Communication Error "ts" = Tube Sensor Error "IC" = Inlet Chute Block "tj" = Tube Jam "CRCH" = Check Sum Error
"ACCE" = Coin Acceptor Error	"EE" = Excessive Escrow Attempts "nJ" = Coin Jam "LA" = Low Acceptance
"StS" = Space-to-Sale Error	"dAxx" = Double Assigned Column "Uaxx" = Unassigned Column "Usxx" = Unassigned selection
"bVAL" = Bill Validator Error	"bC" = Communication Error "bFUL" = Bill Box Full "biLL" = Defective Motor "bJ" = Bill jam "brCH" = Check Sum Error "bOPn" = Bill Box Open "bs" = Sensor error
"Crdr" = Card Reader Error	"Cr0x" = Card Error "Cr1x" = Invalid card "Cr2x" = Tamper Error "Cr3x" = Manufacturer Defined Error "Cr4x" = Communication Error "Cr5x" = Reader Requires Service "Cr6x" = Unassigned "Cr7x" = Manufacturer Defined Error "Cr8x" = Reader Failure "Cr9x" = Communication error "CrAx" = Card Jam "Crbx" = Manufacturer Defined error



2.1 "COLJ" ERROR - Column Jam Error

To display any jammed columns, open the outer door and the inner door.

1. If a summary error list is displayed, press selection switch #1 to enter Door-Open Standby Mode. Then press mode switch to enter "Error" mode.
2. If the message "nonE" is displayed, wait for 5 seconds to allow the control to automatically enter Door-Open Standby Mode. Then press mode (M) switch to enter "Error" mode.
3. If historical sales and cash are displayed, press mode switch (M) to enter "Error" mode.

1. At "Error" prompt, press SEL SW #4	If no error, the display will show "nonE" and then "Error". If one or more errors, the display will show "COLJ"
2. Press SEL SW #4 again to display the first jammed column	Display will show "CJ xx", where "xx" is column number 1 through 10
3. Press either SEL SW #2 or #3 to see other jammed columns	Display will show the next, previous, or the same "CJxx"
4. While displaying "CJxx", press and hold SEL SW #4 for 2 seconds to test vend and clear the displayed error. Repeat step #3 and #4 as required to clear other jammed columns. If test vend fails, repair or replace motor as required.	Display will show one of the followings: <ol style="list-style-type: none">1. The next jammed column, "CJ xx"2. The next error in the summary error list3. The same jammed column if test vend failed4. "nonE" and then "Error" if all errors are cleared
5. If the next error in the summary error list shows on the display, press SEL SW #1 to return to "Error" prompt, and then go to its error code in section IV.2 to clear that error, or	Display will show "Error"
6. Press SEL SW #1 at "Error" to exit error mode to Door-Open-Standby Mode	Display will show one of the following messages: <ol style="list-style-type: none">1. "ICE COLD COCA COLA"2. Selection Price3. ".00"

Note: To advance to "CPO" mode from "Error", press SEL SW #2 at "Error" prompt.



2.2 "door" ERROR - Door Open More Than 1 Hour

To display and clear "door" error, follow the instructions in the table below.

ACTION	DISPLAY
At "Error" prompt, press SEL SW #4 (To enter "Error" mode, see Column Jam section IV. 2.1)	If no error, the display will show "nonE" and then "Error". If one or more errors, the display will show the first error or "door".
If "door" is not shown, press either SEL SW #2 or #3 until the display shows "door"	Display will show "door"
Press SEL SW #4 to see error subcode	Display will show "dS"
At "dS" prompt, press and hold SEL SW #4 for 2 seconds to clear the "dS" error	Display will show "nonE" or another error code in the summary error list
If another error code in the summary error list shows on the display, press SEL SW #1, and then go to its error code in section IV.2 to clear that error, or	Display will show "Error"
Press SEL SW #1 as required to exit the "Error" Mode to Door-Open Standby Mode	Display will show one of the followings: 1. "ICE COLD COCA COLA" 2. Selection Price 3. ".00"

2.3 "SELS" ERROR - Selection switch stuck

If any switches have been stuck for at least 15 seconds, their error flags will be set.

At "Error" prompt, press SEL SW #4 (To enter "Error" mode, see Column Jam sec. 2.1)	If no error, the display will show "nonE" and then "Error". If one or more errors, the display will show the first error or "SELS".
If "SELS" is not shown, press either SEL SW #2 or #3 until the display shows "SELS".	Display will shows "SELS"
Press SEL SW #4 to display the first stuck switch	Display will show "SS xx", where "xx" is a selection switch number
Press either SEL SW #2 or #3 to see other stuck switches	Display will show the next, previous, or the same "SS xx"
Press and hold SEL SW #4 for 2 seconds to clear the stuck switch. Repeat this step as required to clear other stuck switches.	Display will show one of the followings: 1. The next stuck switch "SSxx" 2. The next error in the summary error list 3. "nonE" and then "Error" prompt
If another error in the summary error list shows on the display, press SEL SW #1, and then go to its error code in sec. IV. 2 to clear that error, or	Display will show "Error"
Press SEL SW #1 as required to exit error mode to Door-Open -Standby Mode	Display will show one of the followings : 1. "ICE COLD COCA COLA" 2. Selection Price 3. ".00"



2.4 "CHAR" ERROR - Coin Changer Error

To display the MDB changer error, follow the instructions in the table below.

At "Error" prompt, press SEL SW #4 (To enter "Error" mode, see Column Jam Section IV.2.1)	If no error, the display will show "nonE" and then "Error". If one or more errors, the display will show the first error code or "CHAR".
If "CHAR" is not shown, press either SEL SW#2 or #3 until "CHAR" shows on the display	Display will show "CHAR"
At "CHAR", press SEL SW #4	Display will show one of the following error subcodes: CC, ts, IC, tJ, or CrCH.
Press either SEL SW #2 or #3 to see the next or previous error subcode	Display will show the next, previous, or the same error subcode
While displaying error subcodes, press and hold SEL SW #4 for 2 seconds to clear that error. Repeat this step as required to clear other CHAR error subcodes.	Display will show one of the following: 1. The next CHAR error subcode 2. The next error in the summary error list, or 3. "nonE" and then "Error"
If the next error in the summary error list shows on the display, press SEL SW #1, and then go to its error code in sec. IV.2 to clear that error, or	Display will show "Error"
Press SEL SW #1 as required to exit error mode to Door-Open Standby Mode	Display will show one of the following: 1. "ICE COLD COCA COLA" 2. Selection Price 3. ".00"



2.5 "ACCE" ERROR - Coin Acceptor Error

Excessive escrow attempts, coin jammed, and low-acceptance rate.

At "Error" prompt, press SEL SW #4 (To enter "Error" mode, see Column Jam Section IV.2.1)	If no error, the display will show "nonE" and then "Error". If one or more errors, the display will show the first error code or "ACCE".
If "ACCE" is not shown, press either SEL SW#2 or #3 until the display shows "ACCE"	Display will show "ACCE"
Press SEL SW #4 to display ACCE's error subcode	Display will show one of the following error subcodes: EE, nJ, or LA.
Press either SEL SW #2 or #3 to see other error subcodes	Display will show the next, previous, or the same error subcode
Press and hold SEL SW #4 for 2 seconds to clear the error subcode. Repeat this step as required to clear other error subcodes.	Display will show one of the following : 1. the next ACCE error subcode 2. The next error in the summary error list 3. "nonE" and then "Error"
If the next error in the summary error list shows on the display, press SEL SW #1, and then go to its error code in sec. IV.2 to clear that error, or	display will show "Error"
Press SEL SW #1 as required to exit error mode to Door-Open Standby Mode	Display will show one of the following: 1. "ICE COLD COCA COLA" 2. Selection Price 3. ".00"
<p>"EE" Excessive escrow error flag is set, if there are 20 escrow attempts reported to the control within one-minute period.</p> <p>"nJ" Coin jam is reported by the MDB coin changer</p> <p>"LA" Low acceptance error flag is set when a string of 40 slugs in a row are received, or 40 out of 140 coins are rejected.</p>	



2.7 "bVAL" ERROR - Bill Validator Error

At "Error" prompt, press SEL SW #4 (To enter "Error" mode, see Column Jam section IV.2.1)	If no error, the display will show "nonE" and then "Error". If one or more errors, the display will show the first error or "bVAL."
If "bVAL" is not shown, press either SEL SW #2 or #3 until the display shows "bVAL"	Display will show "bVAL"
At "bVAL" prompt, press SEL SW #4	Display will show one of the following error subcodes: "bC," "bFUL," "biLL," "bJ," "brCH," "bOPn," or "bS"
Press SEL SW #2 or #3 to see the next or previous error subcode	Display will show the next, previous, or the same error subcode
Press and hold SEL SW #4 for 2 seconds to clear the displayed error. Repeat this step as required to clear other bVAL error subcodes.	Display will show one of the followings: 1. The next bVAL error subcode 2. The next error in the summary error list 3. "nonE" and then "Error"
If another error in the summary error list shows on the display, press SEL SW #1, and then go to its error code in sec. IV. 2 to clear that error, or	Display will show "Error"
Press SEL SW #1 as required to exit error mode to Door-Open Standby Mode	Display will show one of the following: 1. "ICE COLD COCA COLA" 2. Selection Price 3. ".00"



2.8 "Crdr" ERROR - Card Reader Error

At "Error" prompt, press SEL SW #4 (To enter "Error" mode, see Column Jam section IV.2.1)	If no error, the display will show "nonE" and then "Error". If one or more errors, the display will show the first error or "Crdr".
If "Crdr" is not shown, press either SEL SW #2 or #3 until the display shows "Crdr"	Display will show "Crdr"
At "Crdr" prompt, press SEL SW #4	Display will show one of the following error subcodes: "Cr0x," "Cr1x," "Cr2x," "Cr3x," "Cr4x," "Cr5x," "Cr6x," "Cr7x," "Cr8x," "Cr9x," "CrAx," or "CrBx"
Press SEL SW #2 or #3 to see the next or previous error subcode	Display will show the next, previous, or the same error subcode
Press and hold SEL SW #4 for 2 seconds to clear the displayed error. Repeat this step as required to clear other Crdr error subcodes.	Display will show one of the followings: 1. The next Crdr error subcode 2. The next error in the summary error list 3. "nonE" and then "Error"
If another error in the summary error list shows on the display, press SEL SW #1, and then go to its error code in sec. IV.2 to clear that error, or	Display will show "Error"
Press SEL SW #1 as required to exit error mode to Door-Open Standby Mode	Display will show one of the following: 1. "ICE COLD COCA COLA" 2. Selection Price 3. ".00"



3. SERVICE MODE

3.1 DOOR -OPEN STANDBY MODE:

Door open standby mode is identical to door closed mode, except that the money used for vend testing will not be recorded in the MIS data field. To enter door-open-standby mode, follow the instructions below.

Open the inner door and the outer door	Display will show one of the following: <ol style="list-style-type: none"> 1. A summary error list 2. "nonE" then one of the followings: "ICE COLD COCA COLA", selection price, or "00". 3. "SALE", "CASH", "Error"/"nonE"
<ol style="list-style-type: none"> 1. If a summary error list is displayed, press SEL SW #1 to enter Door-Open Standby mode 2. If historical sales and cash are displayed, press mode switch one time. Then press SEL SW#1 3. If "nonE" is displayed, wait for 5 seconds 	Display will show one of the following: <ol style="list-style-type: none"> 1. "ICE," "COLD," "COCA," COLA" 2. Selection price 3. ".00"
To exit this mode, close the door or press mode switch to enter "Error" mode. (See "Error" section for details)	<p>If the door is closed, the display will show</p> <ol style="list-style-type: none"> 1. "ICE," "COLD," "COCA," COLA" 2. Selection price 3. ".00" <p>If the mode switch is pressed, the display will show "Error"</p>

3.2 ERROR MODE (Error):

The error mode allows the serviceman to view and reset any error that have been detected by the controller since the last error reset. To enter error mode, follow the instructions in the table below.

Press mode switch one time while in Door-Open Standby mode	Display will show "Error"
Press SEL SW #4 at "Error"	If no error, the display will show "nonE" and then "Error". If one or more errors, the display will show the first error.
If any error in the error summary list is displayed, go to its error code in section IV.2 to view and clear that error.	

To leave the Error Mode, press SEL SW#1 at "Error" prompt or close the door, or wait 5 minutes.
 To advance to "CPO" mode, press SEL SW#2.



3.3 CHANGE PAY-OUT MODE (CPO)

This mode will be used for testing purpose and clearing all coin counter registers in the VEC5.2 controller.

Press mode switch one time while in Door-Open Standby mode	Display will show "Error"
Press SEL SW #2	Display will show "CPO"
Press SEL SW#4	Display will show ".05"
Press and hold SEL SW#4 to start paying out \$.05 coins	
Press SEL SW #2 at ".05" prompt	Display will show ".10"
Press and hold SEL SW#4 to start paying out \$.10 coins	
Press SEL SW#2 at ".10" prompt	Display will show ".25"
Press and hold SEL SW#4 to start paying out \$.25 coins	
Press SEL SW#1 to return to "CPO" mode	Display will show "CPO"
At "CPO", press SEL SW #1 to return to door-open-standby mode, or see note below	Display will show one of the followings: 1. "ICE COLD COCA COLA" 2. Selection price 3. "00"
NOTE: Pressing SEL SW #3 while in CPO sub-mode will reverse the order of the display, for example, ".25", ".10", ".05". To advance to "tUFL" mode or to return to "Error", press SEL SW#2 or SEL SW #3 respectively.	

To leave the Change-Pay- Out Mode, press SEL SW #1 at "CPO" prompt or close the door, or wait 5 minutes.



3.4 TUBE FILL MODE (tUFL)

Tube Fill Mode will allow the operator to fill coin tubes by inserting coins through the funnel of the coin acceptor. Also, it will keep the total coin accountability.

Press mode switch one time while in Door-Open Standby mode	Display will show "Error"
Press SEL SW #2 twice	Display will show "tUFL"
Press SEL SW #4	Display will show "___"
Insert \$.05 coins through coin acceptor's funnel	Display will show the total coin count of the \$.05 coins
Insert \$.10 coins through coin acceptor's funnel	Display will show the total coin count of the \$.10 coins
Insert \$.25 coins through coin acceptor's funnel	Display will show the total coin count of the \$.25 coins
Press SEL SW #1 while any coin count data is displayed	Display will show "tUFL"
At "tUFL", press SEL SW #1 to return to door-open-standby mode, or see note below	Display will show one of the followings: 1. "ICE COLD COCA COLA" 2. Selection price 3. ".00"
NOTE: To advance to "tEst" mode or to return to "CPO", press SEL SW #2 or SEL SW #3, respectively.	

To leave the Tube Fill Mode, press SEL SW #1 at "tUFL" prompt or close the door, or wait 5 minutes.



3.5 TEST-VEND MODE (tEST)

This mode is for testing the operation of each vend motor without using coins or money to establish the credit before test vending. When activating and after successful test vending the displayed motor, the control will clear the column jam error of that motor.

Press mode switch once while in Door-Open Standby Mode	Display will show "Error"
Press SEL SW #2 three times	Display will show "tEST"
Press SEL SW #4	Display will show "CO X" (CO = Column) (X = Motor number 1 thru 10)
Press selection button #2 or #3 to display the next or previous "CO X", respectively.	Display will show the next or previous "CO X"
Press and hold SEL SW #4 for 2 seconds at any "CO X" to test vend the displayed "CO X" motor	Display will show "CO X"
Press SEL SW #1 at any "CO X" prompt to return to "tEST" Prompt	Display will show "tEST"
At "tEST", press SEL SW #1 to return to door-open-standby mode, or see note below	Display will show one of the followings: 1. "ICE COLD COCA COLA" 2. Selection price 3. ".00"
NOTE: To advance to "PASS" or return to "tUFL", press SEL SW #2 or #3, respectively.	

To leave the Test-Vend Mode, press SEL SW #1 at "tEST" prompt or close the door, or wait 5 minutes.

During the test-vend mode, the sold-out switch is not observed. Thus, a column that is sold out will operate.



3.6 PASSWORD MODE (PASS)

The Password Mode prevents the operator from accidentally entering the protected modes: "CASH" through "tcl".

Press the mode switch one time while in Door-Open Standby mode	Display will show "Error"
Press SEL SW #2 four times	Display will show "PASS"
To advance to "rtn" or to return to "tEst" mode, Press SEL SW #2 or #3, respectively, or	
Press the SEL SW #4, #2, #3, #1, #4 in sequence within 10 seconds to enter "CASH" mode. Then go to step #5 of "CASH" mode in section 3.7	Display will show "CASH"
NOTE: After entering the correct password, the "PASS" prompt will be removed from the service mode.	

To leave the Password Mode, press SEL SW #1 at "PASS" prompt or close the door, or wait 5 minutes.

3.7 CASH AUDIT MODE (CASH)

This mode is for viewing the total historical cash and the individual cash counter of each selection since the last reset, through the digital display.

1. Press the mode switch one time while in Door-Open Standby mode	Display will show "Error"
2. Press SEL SW #2 four times	Display will show "PASS"
3. Press the SEL SW #4, #2, #3, #1, and #4 in sequence within 10 seconds	Display will show "CASH"
4. Press SEL SW #4 at "CASH" prompt	Display will scroll between "CASH" and the total historical cash as "xxxx"
5. While "CASH" or "xxxx" is displayed, press SEL SW #2	Display will scroll between "CL 1" and the cash of selection 1 as "xxxx", where "CL 1" is the selection "1"
6. Press SEL SW #2 or #3 to see the next or previous cash per selection, respectively.	Display will show the next or previous "CL x" respectively
7. Press SEL SW #1 at "CL x" to return to "CASH" prompt.	Display will show "CASH"
8. At "CASH", press SEL SW #1 to return to door-open-standby mode, or see note below	Display will show one of the followings: 1. "ICE COLD COCA COLA" 2. Selection price 3. ".00"

NOTE: To advance to "SALE" mode or to return to "tEst", press SEL SW #2 or #3, respectively. To leave the "CASH" mode, press SEL SW #1 at "CASH" prompt or close the door, or wait 5 minutes.



3.8 SALE AUDIT MODE (SALE)

This mode is for viewing the total historical sales and the individual sale counter of each selection since the last reset, through the digital display.

Press the mode switch one time while in Door - Open Standby mode	Display will show "Error"
Press SEL SW #2 four times	Display will show "PASS"
Press the SEL SW #4, #2, #3, #1, and #4 in sequence within 10 seconds	Display will show "CASH"
Press SEL SW #2 at "CASH" prompt	Display will show "SALE"
Press SEL SW #4 at "SALE" prompt	Display will scroll between "SALE" and the total historical total sale as "XXXX"
While "SALE" or "XXXX" is displayed, press SEL SW #2	Display will scroll between "SL 1" and the number of sales of selection 1 as "XXXX", where "SL 1" is selection "1"
Press SEL SW #2 or #3 to see the next or previous sale per selection, respectively.	Display will show the next or previous "SL x", respectively
Press SEL SW #1 at "SL x" to return to "SALE" prompt.	Display will show "SALE"
At "SALE", press SEL SW #1 to return to door-open-standby mode, or see note below	Display will show one of the followings: 1. "ICE COLD COCA COLA" 2. Selection price 3. ".00"

NOTE: To advance to "PriC" mode or to return to "CASH", press SEL SW #2 or #3, respectively

To leave the "SALE" mode, press SEL SW #1 at "SALE" prompt or close the door, or wait 5 minutes.



3.9 PRICE SETTING MODE (PriC)

Multi-price or single-price can be programmed through the Price Setting Mode.

1. Press the mode switch one time while in Door-Open Standby mode	Display will show "Error"
2. Press SEL SW #2 four times	Display will show "PASS"
3. Press the SEL SW #4, #2, #3, #1, and #4 in sequence within 10 seconds	Display will show "CASH"
4. Press SEL SW #2 twice at "CASH" prompt	Display will show "PriC"
5. Press SEL SW #4 at "PriC" prompt	Display will scroll between "Pr x" and "XXXX", where Pr x = Pr 1, Pr 2, ..., Pr10
6. Press SEL SW #4 again	Display will show "XXXX" only, where "XXXX" is the vend price of selection "x"
7. Press SEL SW #2 to increase the vend price or #3 to decrease it.	Display will show the new price
8. Press SEL SW #4 to save the new price	Display will scroll between "Pr x" and the new price "XXXX"
9. Press SEL SW #2 or #3 to display the next or previous "Pr x", and repeat step #6 thru #9 to set price for other selections	Display will show the next or previous "Pr x"
10. Press SEL SW #1 at "Pr x" to return to "PriC" prompt	Display will show "PriC"
11. At "PriC", press SEL SW #1 to return to door-open-standby mode, or see note below	Display will show one of the followings: 1. "ICE COLD COCA COLA" 2. Selection price 3. ".00"

NOTE: To advance to "StoS" or to return to "SALE", press SEL SW #2 or #3, respectively.

To leave the "PriC" mode, press SEL SW #1 at "PriC" prompt or close the door, or wait 5 minutes.

NOTE-FREE VEND:

A zero price for a selection enables that selection to be free vended. If columns are sold out, machine will not vend.



3.10 PRE-PROGRAMMED SPACE TO SALE SETTING MODE (StoS)

The control contains 7 preset space-to-sale configurations. Each pre-programmed configuration is assigned to a specific selection button, and the number of selections a vendor has will determine which configurations need to be selected.

OPTION	1	2	3	4	5	6	7	8	9
SELECTION #	COLs	COLs	COLs	COLs	COLs	COLs	COLs	COLs	COLs
1	1	1, 2	1	1, 2	1	1	--	--	1
2	2	3	2	3	2	2	--	--	--
3	3	4	3	4	3	3	--	--	--
4	4	5	4	5	4	4	--	--	--
5	5	6	5	6	5	5	--	--	--
6	6	7	6	7	6	6	--	--	--
7	7	8	7	8	7	--	--	--	--
8	8	9	8	--	--	--	--	--	--
9	9	10	--	--	--	--	--	--	--
10	10	--	--	--	--	--	--	--	--

IMPORTANT: *When moving a control from one machine to another, or when installing a new control, it is important to reconfigure the space-to-sale required by the new machine. This action will ensure that the selection buttons higher than the last selection button for the specific machine are disconnected.*

EXAMPLE: *In a 7-selection vendor, it will ensure that any connections to selection buttons 8, 9, and 10 that were programmed in a previous machine are now removed.*



To enter the "StoS" mode, follow the instructions below.

Press the mode switch one time while in Door-Open Standby mode	Display will show "Error"
Press SEL SW #2 four times	Display will show "PASS"
Press the SEL SW #4, #2, #3, #1, and #4 in sequence within 10 seconds	Display will show "CASH"
Press SEL SW #2 three times	Display will show "StoS"
Press SEL SW #4 at "StoS" prompt	Display will show "Opt 1"
Press SEL SW #2 to advance to next option and repeat this step as required until the desired "Opt x" shows on the display	Display will show the next "Opt x", where Optx = Opt1 thru Opt9
Press SEL SW #4 at "Optx" to load that option (see Per-Program Space-to-Sale Map for more details)	Display will show each selection switch and the column connected to it and then "StoS"
At "StoS", press SEL SW #1 to return to door-open-standby mode, or see note below	Display will show one of the following: 1. "ICE COLD COCA COLA" 2. Selection price 3. ".00"

NOTE: To advance to "Con" mode or to return to "PriC", press SEL SW #2 or #3, respectively.

To leave the "StoS" mode, press SEL SW #1 at "StoS" prompt or close the door, or wait 5 minutes.

NOTE: Immediately after loading the selected STS configuration, the display will scroll through the first selections, SL 1, followed by the column(s) now connected to selection #1; then it will continue to scroll until all selections have been shown before returning to "Opt X" prompt..

3.11 CONFIGURATION PARAMETER SETTING MODE (Con)

To set the following configuration parameters, follow the instructions in Table-1 on page 28.

A. Set Single/Multi-Price

- C1 =0 All vend prices are the same based on selection #1
- C1 =1 Each vend price can be set differently



B. Set Space-to-Sale By C2 And C3

Select one of the following settings:

- C2=0 & C3=0** Space-To-Sale setting through DEX, "SSS", or "StoS"
- C2=0 & C3=1** Select STS option #2 -- 9 Select
- C2=1 & C3=0** Select STS option #3 -- 8 Select
- C2=1 & C3=1** Select STS option #4 -- 7 Select

C. Enable/disable Automatic Display of Historical Sale and Cash

- C4=0** Display summary error codes or "nonE"
- C4=1** Display historical sales, cash, and "Error"/"nonE"

D. Reset Cash and Sale Data Register of Each Selection

- C5=0** Reset cash and sale data registers by DEX command only
- C5=1** Reset cash and sale registers by closing the door

E. Set Correct Change Rule

Select one of the following rules:

1. **C6=0 & C7=1** Exact change is required for purchase
2. **C6=1 & C7=1** Allow best pay out when Exact Change LED is on
3. **C6=0 & C7=0** Exact change is required for purchase
4. **C6=1 & C7=0** Allow best pay out when Exact Change LED is on

NOTE: The correct change rules #3 and #4 are selected when the connected changer accepts non-tube, high-value coins.



F. Set Cash Handling and Escrow Rule

Select one of the following rules as required:

- bill
1. **C8=0 & C9=0 Neutral--** Dollar Bill Validator will escrow the first
 2. **C8=1 & C9=1 Neutral --** The same as rule #1
 3. **C8=0 & C9=1 Change Machine** if bill is stacked or high-value coin is accepted
 4. **C8=1 & C9=0 Force Vend** if bill is stacked or high-value coin is accepted

G. Display Point of Sale Message

- C10=0** Turn off "ICE COLD COCA COLA" message
C10=1 Turn on "ICE COLD COCA COLA" message

H. Enable/Disable Door-Closed Data Retrieval Through Digital Display

- C11=0** Disallow door-closed data retrieval
C11=1 Allow door-closed data retrieval

NOTE: To retrieve sale data through Digital Display while the door is closed, the correct 4-digit password must be entered and C11 must be set to 1.

I. Display Software Revision level of The Programmed Chip

- SOft** Display manufacturing code of the VEC5.2 board and the software revision level of the PROM.

J. View and Change Password for Door-Closed Data Retrieval

- COdE** Display the 4-digit password for door-closed data retrieval through Digital Display and allow the password to be changed. The "COdE" prompt will be displayed only if C11 is set to 1.



Table-1 -- Configuration Parameter Setting

1. Press the mode switch one time while in Door-Open Standby mode	Display will show "Error"
2. Press SEL SW #2 four times	Display will show "PASS"
3. At "PASS", press the SEL SW #4, #2, #3, #1, and #4 in sequence within 10 seconds. Repeat this step as required.	Display will show "CASH"
4. Press SEL SW #2 four times	Display will show "Con"
5. Press SEL SW #4 at "Con" prompt to activate the "Con" mode.	Display will show "CX" (CX = C1, C2, ..., C11)
6. Press SEL SW #2 as required to advance to the next "CX", "SOFT", and "CODE" prompts	Display will show "CX", "SOFT", or "CODE"
7. Press SEL SW #4 at any "CX"	Display will show "CX x", where the lowercase x is 0 or 1
8. Press either SEL SW #2 or #3 at "CX x"	Display will show "CX x" with x changes from 0 to 1 or vice versa.
9. Press SEL SW #4 at "CX x" to save the new configuration or Press SEL SW #1 to exit without saving it. Repeat step #6 through #9 to set other "CX".	Display will show "CX"
10. At "CX" prompt, press SEL SW #2 until "SOFT" shows on the display	Display will show "SOFT"
11. Press SEL SW #4 at "SOFT" to view the PROM software revision level	Display will scroll between "X X.2" and "XXXX", where "X X.2" is the manufacturing code and "XXXX" is the software revision level.
12. Press SEL SW #1 followed by #2 to advance to "COdE"	Display will show "COdE"
13. Press SEL SW #4 at "COdE" to change the 4-digit password	Display will show "XXXX" with the first digit continuously flashing. ("XXXX" is the 4-digit password for door-closed data retrieval).
14. While flashing, press SEL SW #2 or #3 to increase or decrease the flashed digit by 1, respectively.	Display will show "XXXX"
15. After setting the desired digit, press SEL SW #4 to advance to the next one. Repeat step #14 and #15 for setting other digits.	Display will show "XXXX" with the next digit continuously flashes
16. While the last digit is flashing, press SEL SW #4 to save the new password, or press SEL SW #1 to return to "COdE" prompt without saving it.	Display will show "COdE"
17. At "COdE", press SEL SW #1 to return to "Con"	Display will show "Con"
18. Press SEL SW #1 at "Con" to return to door-open-standby mode, or see note below	Display will show one of the followings: 1. "ICE COLD COCA COLA" 2. Selection price 3. ".00"

NOTE: To advance to "SSS" mode or return to "StoS", press SEL SW #2 or #3, respectively. To leave the "Con" mode, press SEL SW #1 at "Con" prompt or close the door, or wait 5 minutes.



3.12 CUSTOMIZED SPACE-TO-SALE (SSS) SETTING

This mode is provided for manual setting and viewing the current space-to-sale configuration of the machine. To enter this mode, follow the instructions below.

1. Press mode switch one time while in Door-Open Standby mode	Display will show "Error"
2. Press SEL SW #2 four times	Display will show "PASS"
3. Press the SEL SW #4, #2, #3, #1, and #4 in sequence within 10 seconds	Display will show "CASH"
4. Press SEL SW #2 five times	Display will show "SSS"
5. Press SEL SW #4 at "SSS" prompt	Display will scroll between "SL X" and "CO X", where SL X = SL1 thru SL10 and CO X = CO1 thru CO10
6. Press SEL SW #2 to advance to the next "SL X". Repeat this step as required to display other "SL X".	Display will scroll between the next "SL X" and "CO X"
7. Press SEL SW #4 at "SL X" or "CO X"	Display will show "CO X" only (Flashed display = column assigned to "SL X") (Steady display = column not assigned to "SL X")
8. Press SEL SW #2 or #3 at "CO X"	Display will show the next or previous "CO X", respectively.
9. Press SEL SW #4 at "CO X"	Display will scroll between "SLX" and "YES"/"no"
10. Press SEL SW #2 or #3 at "CO X" or "YES"/"no"	Display will change from "YES" to "no" or vice versa
11. Press SEL SW #4 at "CO X" or "YES"/"no" to save any changes. Repeat step #8 thru #11 as required to assign or unassign other columns	Display will return to "CO X"
12. Press SEL SW #1 at "CO X". Repeat step #6 thru #12 to assign space-to-sale for other selections	Display will scroll between "SL X" and "CO X"
13. Press SEL SW #1 at "SLX" or "CO X" to return to "SSS" prompt	Display will show "SSS"
14. At "SSS", press SEL SW #1 to return to door-open-standby mode, or see note below	Display will show one of the followings: 1. "ICE COLD COCA COLA" 2. Selection price 3. ".00"

NOTE: To advance to "ctl" mode or return to "Con", press SEL SW #2 or #3, respectively. To leave the "SSS" mode, press SEL SW #1 at "SSS" prompt or close the door, or wait 5 minutes.

NOTE: A column may be assigned to one or more selection buttons. The columns assigned to these buttons will rotate, in sequence, when vended, regardless of which button is pressed.



3.13 TIMER CONTROL (tctl) MODE

The "tctl" mode allows the operator to turn a subset of selections on or off during a specific time period.

1. Press mode switch one time while in Door-Open Standby mode	Display will show "Error"
2. Press SEL SW #2 four times	Display will show "PASS"
3. Press the SEL SW #4, #2, #3, #1, and #4 in sequence within 10 seconds	Display will show "CASH"
4. Press SEL SW #2 six times	Display will show "tctl"
5. Press SEL SW #4 at "tctl" prompt	Display will scroll between "SL X" and "YES"/"no", where SLX = SL1 thru SL10.
6. Press SEL SW #2 to advance to the next "SLX". Repeat this step as required to display other "SL X".	Display will scroll between the next "SL X" and "YES"/"no"
7. Press SEL SW #4 at "SL X" or "YES"/"no"	Display will show "YES" or "no" only
8. Press either SEL SW #2 or #3 at "YES" or "no"	Display will change from "YES" to "no" or vice versa.
9. Press SEL SW #4 at "YES" or "no" to save any change made. Repeat step #6 thru #9 as required to set other selections, or	Display will scroll between "SL X" and "YES"/"no"
10. Press SEL SW #1 at "SLX" or "YES"/"no" to return to "tctl" prompt	Display will show "tctl"
11. At "tctl", press SEL SW #1 to return to door-open-standby mode, or see note below	Display will show one of the followings: 1. "ICE COLD COCA COLA" 2. Selection price 3. ".00"

NOTE: To advance to "rtn" mode or return to "SSS", press SEL SW #2 or #3, respectively. To leave the "tctl" mode, press SEL SW #1 at "tctl" prompt or close the door, or wait 5 minutes.

NOTE: If "YES" is set, product will be vended when the timer switch is closed. If "no" is set, product will not be vended when timer switch is closed. *This mode will only function with timer kit part number 1032542M.*



3.14 RETURN MODE (rtn)

There are two ways to enter the "rtn" mode:

FIRST METHOD

Press the mode switch one time while in Door-Open Standby mode	Display will show "Error"
Press SEL SW #2 five times	Display will show "rtn"
At "rtn" prompt, press SEL SW #4 or #1, or wait 30 seconds	Display will show one of the followings: 1. ICE COLD COCA COLA 2. Selection Price, or 3. ".00"

NOTE: To wrap back to "Error" mode or return to "PASS", press SEL SW #2 or #3, respectively.

SECOND METHOD

Press the mode switch one time while in Door-Open Standby mode	Display will show "Error"
Press SEL SW #2 four times	Display will show "PASS"
Press the SEL SW #4, #2, #3, #1, and #4 in sequence within 10 seconds	Display will show "CASH"
Press SEL SW #2 seven times	Display will show "rtn"
At "rtn" prompt, press SEL SW #4 or #1, or wait 30 seconds	Display will show one of the followings: 1. "ICE COLD COCA COLA" 2. Selection Price, or 3. ".00"

NOTE: To wrap back to "Error" mode or return to "ctl", press SEL SW #2 or #3 respectively.



INITIAL SET UP

A. UNPACKING

Remove all plastic film, cardboard and tape from the outside of the vendor. Loosen any shipping devices used to secure interior parts during shipment (backspacer, shims or spacers).

To remove shipping boards from base, raise vendor on a well stabilized lifting device. Remove the leveling bolt which hold the boards in place and remove the boards. Replace bolts to equal heights in the threaded holes.

Another method to remove shipping boards is to split the boards apart. Using a pinch bar, or a heavy screwdriver and hammer, insert tool into the slots and force the board apart.

B. POSITIONING AND LEVELING

IMPORTANT: Place the vendor (in desired location) at least 3 to 4 inches away from any rear obstruction. This is for proper air flow through the refrigeration compartment. The system requires front to rear air circulation for proper operation. Level vendor with leveling bolts. Be sure all four leveling bolts are supporting the machine.

C. POWER SUPPLY CONNECTION

CAUTION: DO NOT USE AN EXTENSION CORD!

The Vendor's power requirements will vary depending upon the country it was purchased for. To verify the power requirements of the Vendor, check the serial plate located on the hinge side of the door (see figure 1 on page 3). The power requirements are listed on the serial plate.

To insure safe operation of the vendor, the vendor's power supply must be a properly grounded and polarized outlet. Before plugging the vendor into the outlet, test the outlet to confirm it will meet the vendors power requirements. If the power supply of the outlet is different from the power requirements of the vendor, a transformer may be necessary.

If the power requirements are not properly met, contact a licensed electrician and have the necessary correction made.

Should you require additional information contact a service representative, see parts, sales and service centers listed on page 13 and 14 of the machine installation and safety manual.

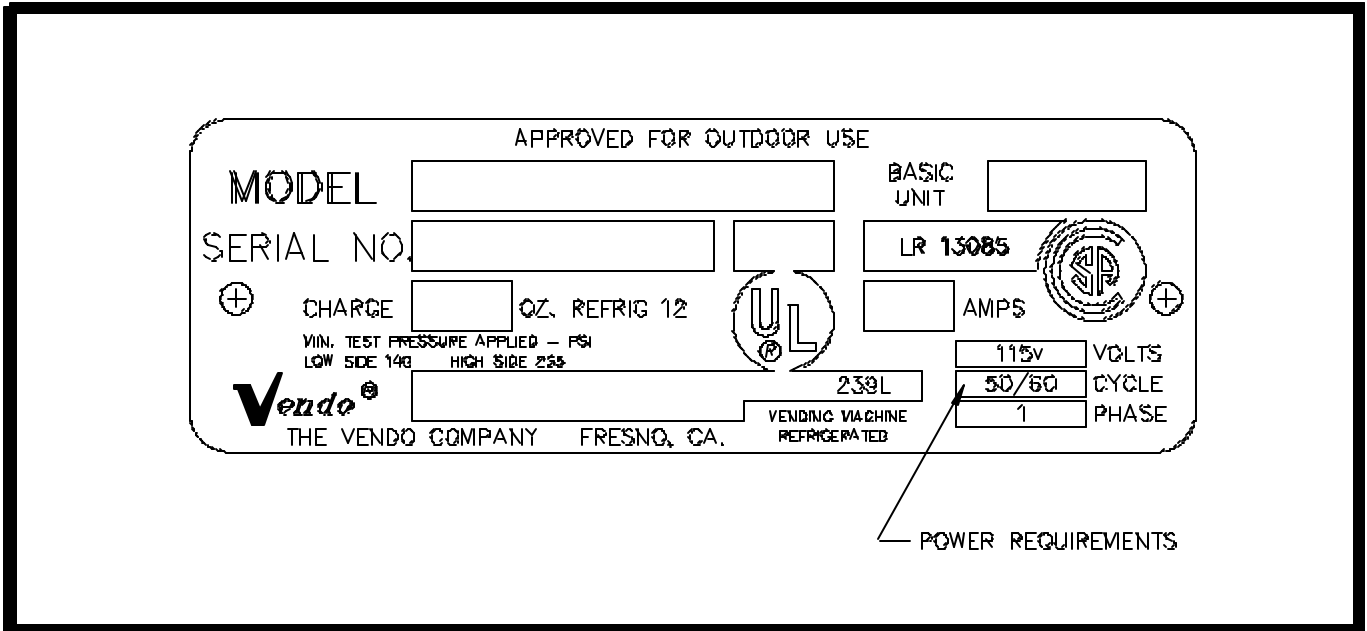


FIGURE 1

LOCK CODING

The safest method to code the lock is to remove it and secure it in a vise or similar tool. The lock can also be recoded in the handle.

(For the following steps refer to Figure 2)

STEP 1

Insert key into lock. Insert pin into hole in cap.

STEP 2:

To release cap, push pin in firmly and rotate key to right slot position. Remove cap and key as one unit.

STEP 3:

Using magnet end of loading tool, remove all seven tumblers.

STEP 4:

Slip preloaded coder on lock. Place loading tool into coder. Coder and tool will mount in one direction only. Press new tumblers firmly into place.

STEP 5:

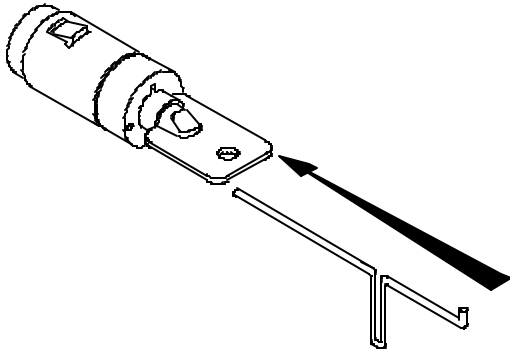
Remove coder and tool as one unit. Check to insure that all tumblers are in place. Replace lock cap.

STEP 6:

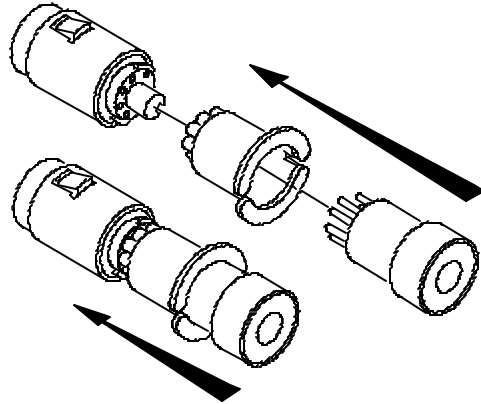


Insert New key. Press cap in and rotate key counter clockwise left to locked position.

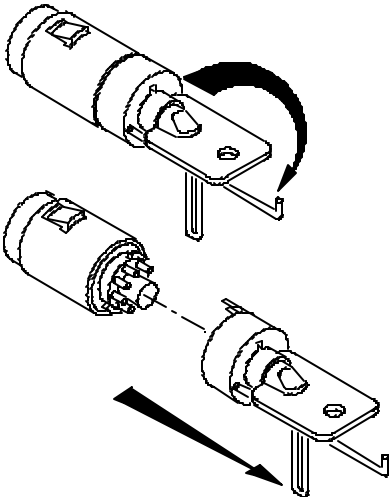
STEP 1



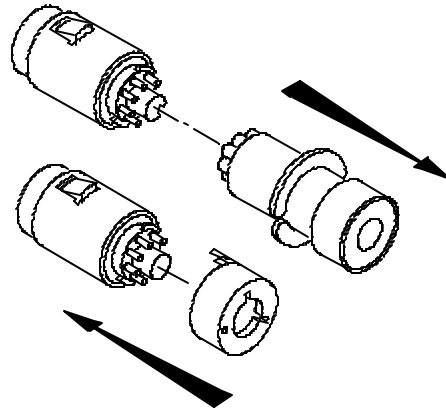
STEP 4



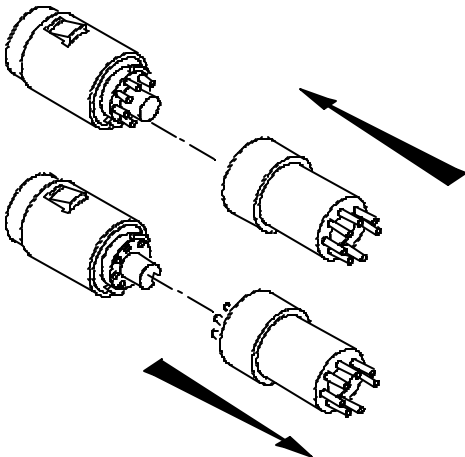
STEP 2



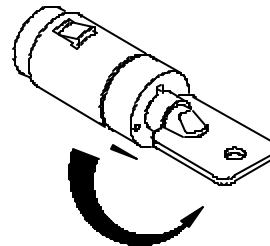
STEP 5



STEP 3



STEP 6



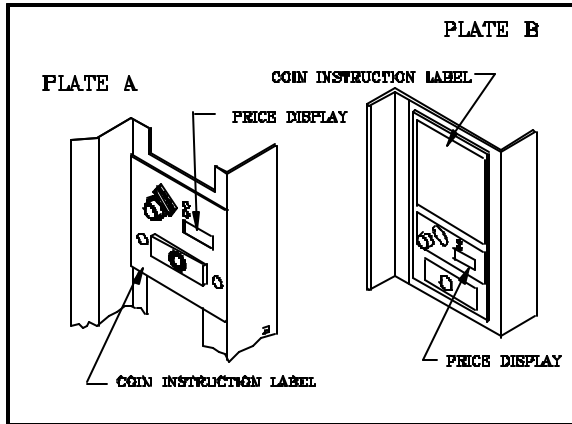


FIGURE 3

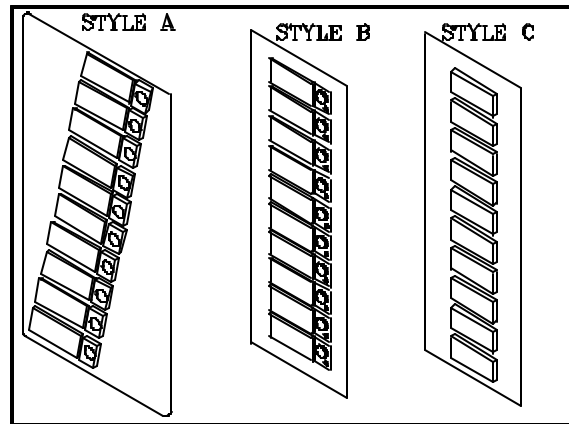


FIGURE 4

LABEL INSTALLATION

COIN INSTRUCTION LABEL & PRICE LABEL APPLICATION:

Apply labels to a clean and dry surface. Peel backing from label and apply to plate with a firm even pressure.

INSTRUCTION LABEL

(Refer to figure 3 for the following information.)

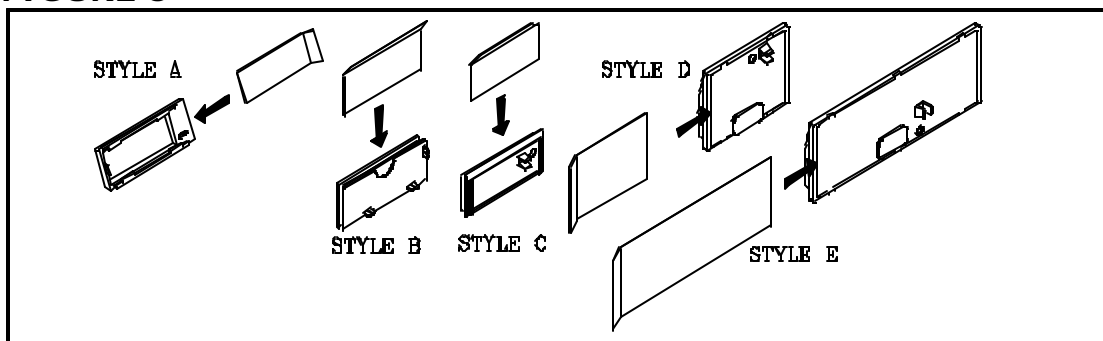
Plate "A" has Validator Opening separate and above the Coin Plate "B" shows the Validator Opening built in the Coin Plate. Apply Instruction Label to area shown (as needed by the vendor).

FLAVOR LABELS INSTALLATION:

In figures 4 & 5, corresponding styles are indicated by A, B, C, D, or E notations. Insert Flavor Labels to the side or top of Selection Window or Button depending on the style. See Figure 4 for selection style. Rear view of windows and buttons is shown in Figure 5. Arrows point the direction to insert labels.

Selection Window and Selection Button Labels identify product contained in stack columns.

FIGURE 5



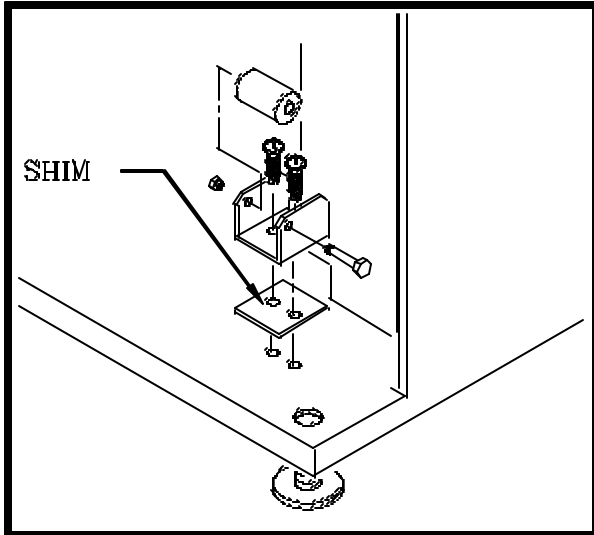


FIGURE 7

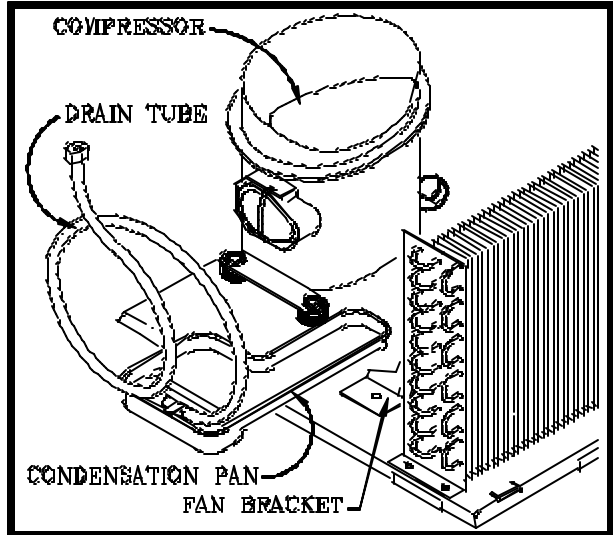


FIGURE 9

ALIGNMENT CHECKS

DOOR ROLLER CHECK:

The Door Roller assembly is raised or lowered by adding or removing shims, (see figure 7). Raising or lowering the roller will help ensure the proper alignment of the door lockstud to the cabinet latch.

DOOR ALIGNMENT CHECK:

After any door adjustment, the Quicker Lock should align itself automatically. If additional adjustment is necessary, loosen mounting screws, (see Figure 8), raise or lower latch to the correct position. Tighten mounting screws the floating nut of the Quicker Lock must be able to engage the bolt of the T-handle.

REFRIGERATION AREA CHECK:

Check the position of the Condensation Pan, see Figure 9. The correct position of the Condensation Pan is between the Compressor and the Condenser Fan Bracket. Be sure the Drain tube is clipped to the pan and free of kinks. A loop must be maintained in the tubing. The loop prevents warm air from reaching the evaporator area.

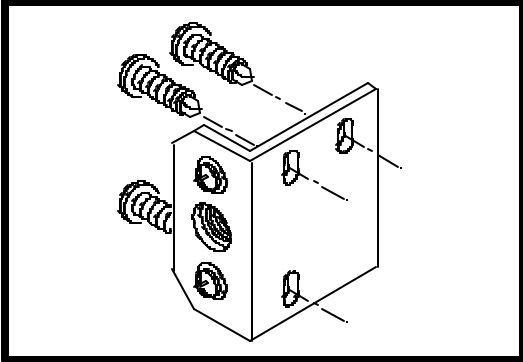


FIGURE 8



TEMPERATURE CONTROL

PRODUCT TEMPERATURE CHECK: (Reference only)

Allow vendor to run 24 hours. Vend product, insert test device (thermometer) into beverage.

TEMPERATURE CONTROL SETTING:

The temperature inside the cabinet is regulated by the Temperature Control, located on the left side of the Evaporator (see Figure 10). Before adjusting control, make sure the refrigeration system is working properly. Check that all fans run freely and do not make excessive noise. Check that the vanes of the Evaporator are free of obstructions. Air flow over the vanes is important for proper operation of the refrigeration unit. Check the door for a tight seal.

When the air temperature at the Capillary tube reaches 39 degrees Fahrenheit, the refrigeration system will cycle on (see Figure 11). To decrease the temperature, turn the Temperature Control Screw clockwise (see Figure 10). To increase the temperature, turn the screw counter-clockwise. The temperature will change approximately 6 degrees with every 1/4 turn of the control screw.

The Capillary tube is positioned in the air flow of the evaporator (see Figure 11). It must not touch the rear of the cabinet wall or the evaporator shield (except at the clip). It is possible to distort the position of the tube upon replacement and installation. If the refrigeration system is replaced, check the Capillary tube's position.

FIGURE 10

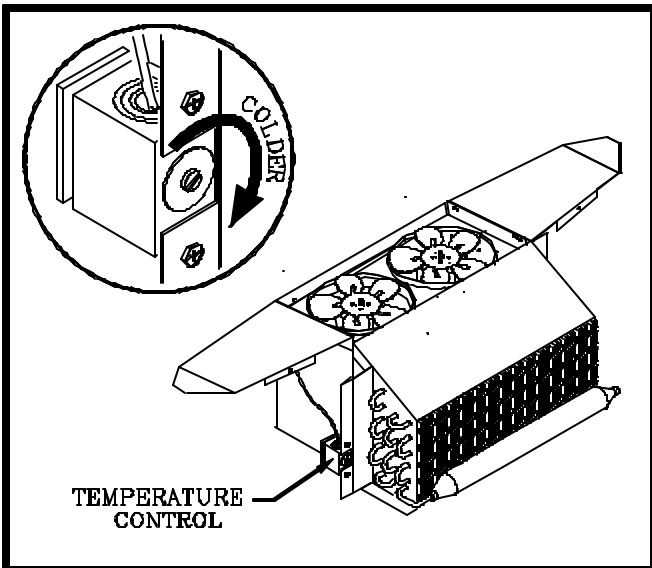
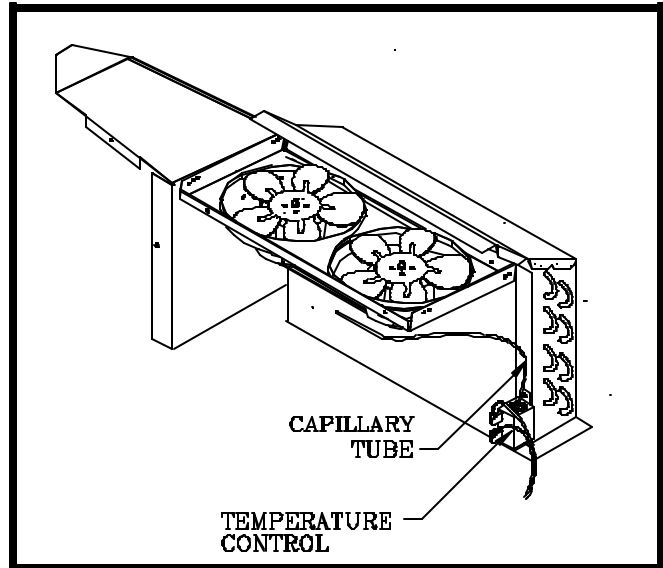


FIGURE 11





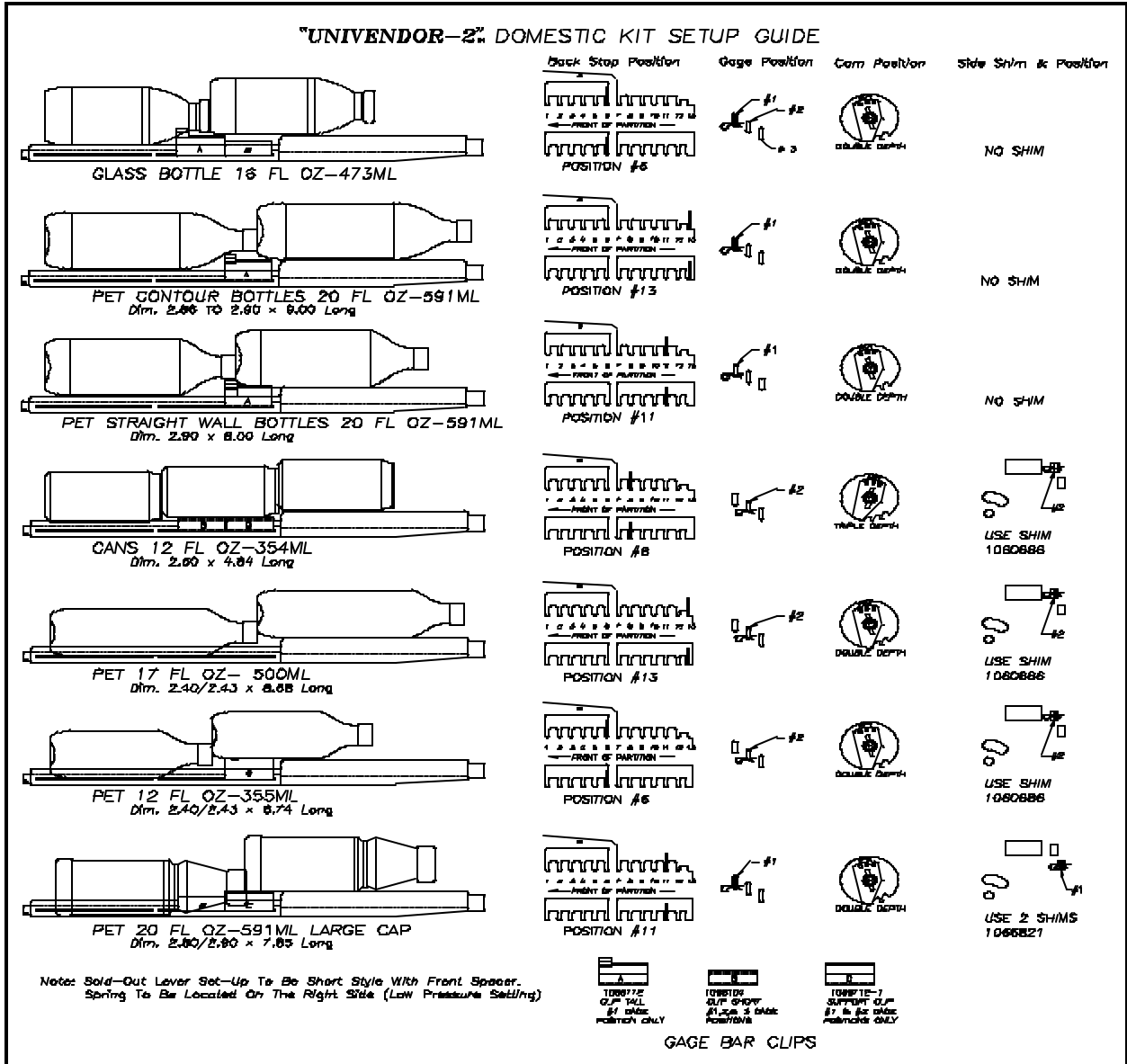
LOADING INSTRUCTIONS

BASIC LOAD SET-UP:

The Univendor-2 machine is capable of vending a variety of product. The Chart on page 7 is a basic guide for the load set-up of these products. Refer to the chart and the items in Figure 12 for each product's setting and kits. Installation Instructions are included with each kit. Call a service representative for kits or further information.

Open upper and lower product cage assemblies at front of stack to load product in columns. Load product evenly. Bottles are loaded with crown end placed toward the back of the column. After filling columns, close product cage assemblies. In initial loading, prime the machine by advancing the product into the buckets. To advance product, insert proper coins and push the selection button of the column you wish to prime. When the bucket is loaded the column is ready to vend. Prime all columns.

FIGURE 12





VEND MECHANISM PARTS DESCRIPTION

The parts listed below are part of the Vend Motor Mechanism (refer to Figure 17 on page A6). One Mechanism is required per column. The parts are interchangeable. Setting will differ between single, double or triple depth.

MOTOR: P/N 388637

This motor is a thermal protected, 115 volt, 60 hertz, shaded pole motor. The motor has an externally mounted spring loaded mechanical brake. The Motor is attached to the Mech. Plate by three screws.

MOTOR CAM: P/N 390360

The Motor Cam assembly consists of two parts, the Cam and the Cam Retainer. The Cam controls the Motor Carrier and the Start/Bypass Switches. The Cam is Attached to the Motor by the Cam Retainer (Retainer P/N 389401). The Retainer rotates left or right, provides for single, double, or triple depth operation. (see page S-7 for Cam Settings)

MOTOR CARRIER SWITCH: P/N 388687

Two switches are located below the Motor Cam. The outside switch is the motor carrier switch. This switch holds the motor on through the vend cycle. The motor stops when the motor Carrier switch drops out.

SOLDOUT SWITCH: P/N 368299 / BASE SWITCH: P/N 388303

There is one Soldout Switch and one Base Switch above the Vend motor. The Soldout Switch is actuated by the Soldout flap when the column is empty. It stops the motor from running. When all columns are empty the Electronic Control stops the coinage from accepting money.

SELECTION SWITCH: (See part Section of the Manual for P/Ns.)

The selection switch sends power to a Vend Motor when a Customer Presses a Selection Button. The Selection Switches are beneath the Selection Button/Windows.

VEND BUCKET: P/N 1060139

The Vend Bucket holds the product(s) in a ready to vend position at the base of each column.

ADAPTER COUPLING: P/N 1027042

The Adapter coupling couples the motor to the bucket. It is located behind the motor, on the motor shaft.

ANTI-TILT CLIP: P/N 389712

The Anti-Tilt Clip prevents product from dropping out of the Bucket if the Vendor is tilted. The Clip is located in the bucket.



GATE: P/N 1066082

The gate holds product above the Vend Bucket.

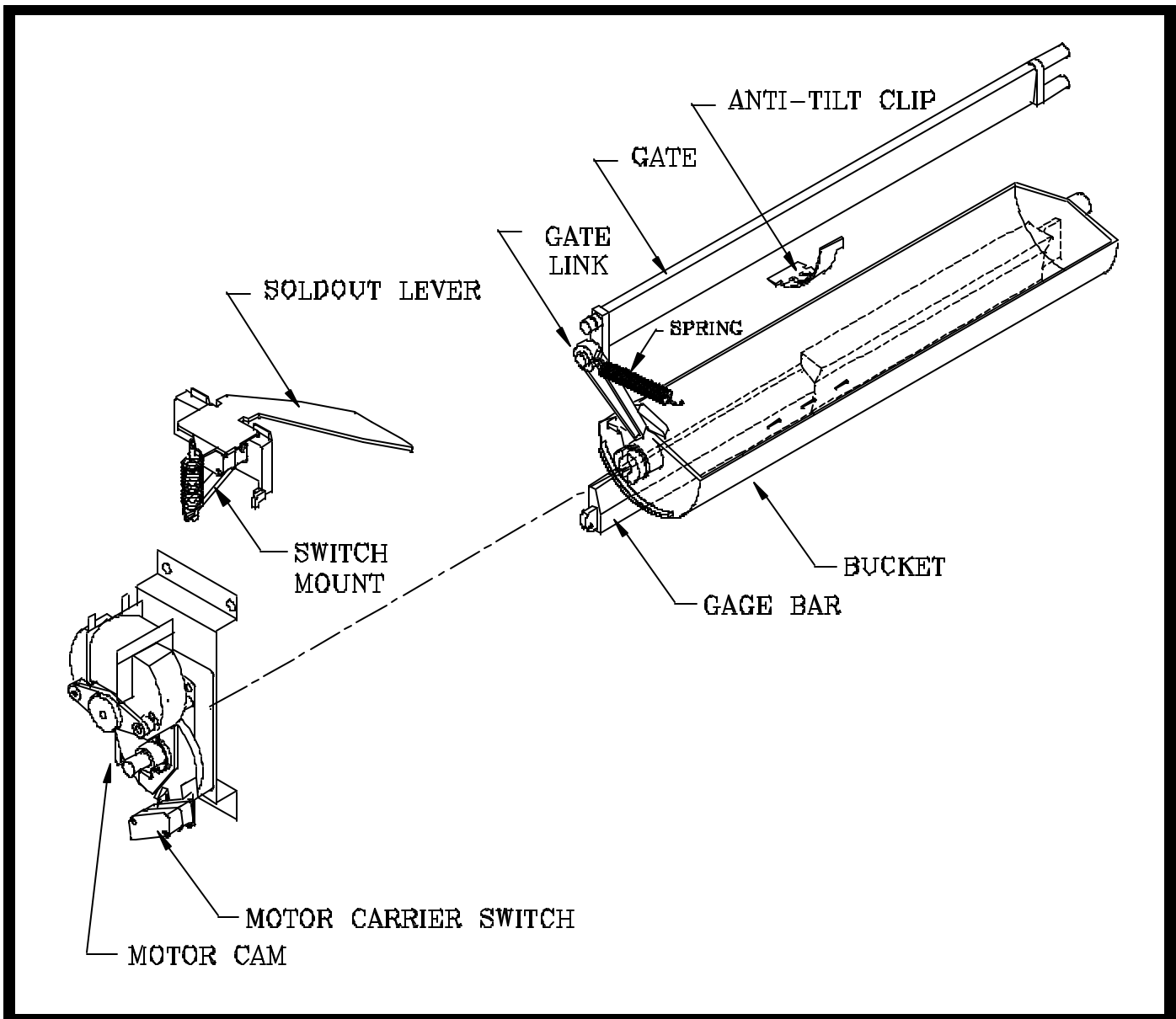
GATE LINK: P/N 1008501

The rotation of Vend Bucket moves the gate link, this opens the gate allowing one layer of product to drop into the bucket.

GAUGE BAR: P/N 1064333

The Gage Bar Holds the product (s) inside the bucket. It also regulates which product is vended first when Double or Triple depth setting are used (See page S-7 for setting).

FIGURE 13





VEND CYCLE

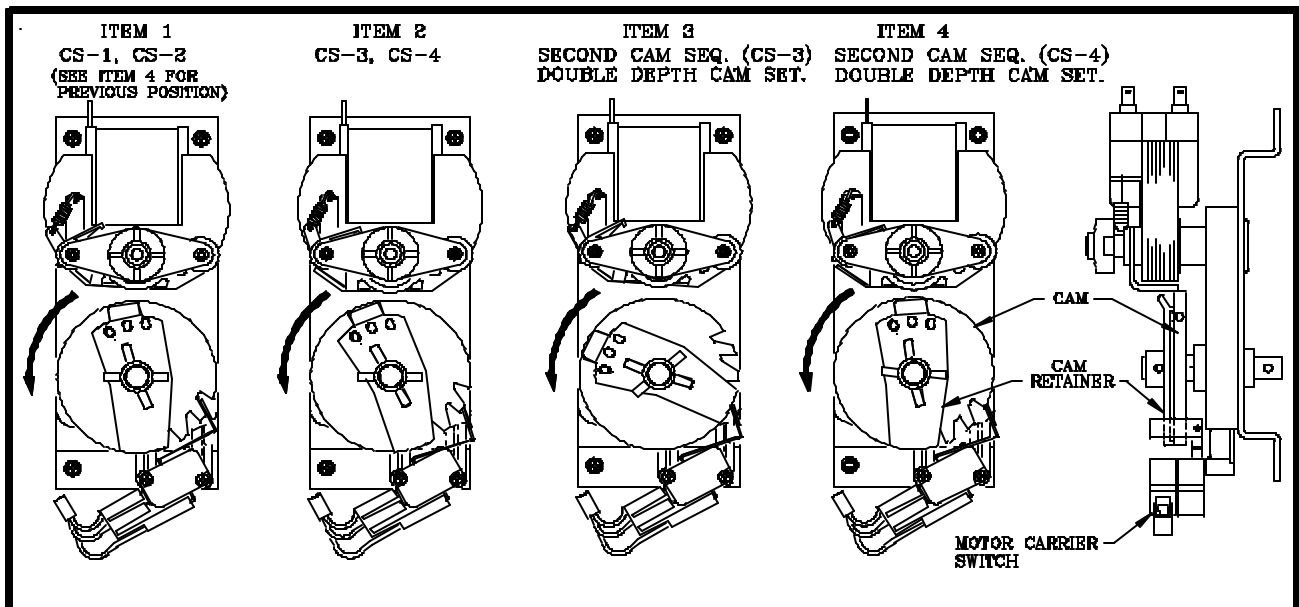
Several operations take place during the Vend Cycle: a purchase is made, the cam and bucket rotate, product is dispensed and reloaded. The sequence of these operations change slightly when the column's depth setting is changed. With the Single Depth Setting, one purchase is made and the bucket is reloaded, the Cam Sequence occurs once per bucket revolution. With the Double Depth setting, two purchases are made before the Bucket is reloaded, the Cam Sequence occurs twice per bucket revolution. With Triple depth setting, three purchases are made.

PURCHASE SEQUENCE:

- PS 1. Customer insert money.
- PS 2. The Coinage Unit sends a signal energizing the Credit Relay. This creates a path of power for the Selection Switch.
- PS 3. Customer presses a Selection Button.
- PS 4. The chosen Selection Switch closes, creating a path of power to energize a Vend Motor.
- PS 5. The Vend Motor turns the Bucket and Cam.
- PS 6. Product is Immediately dispensed.

CAM SEQUENCE: (See Figure 14, Double depth Setting Pictured)

- CS 1. As the Motor turns the Cam, the Switch falls into the low part of the cam. This interrupts the power path to the Credit relay canceling credit.
- CS 2. Simultaneously, the Motor Carrier Switch is lifted to the high part of the cam. This provides an alternate path of power, to the Vend Motor.
- CS 3. With the Cam still rotating, the Switch lifts back to the part of the Cam, (permitting another purchase when it is required).
- CS 4. The Motor Carrier Switch falls into the lower part of the Cam, cutting power to





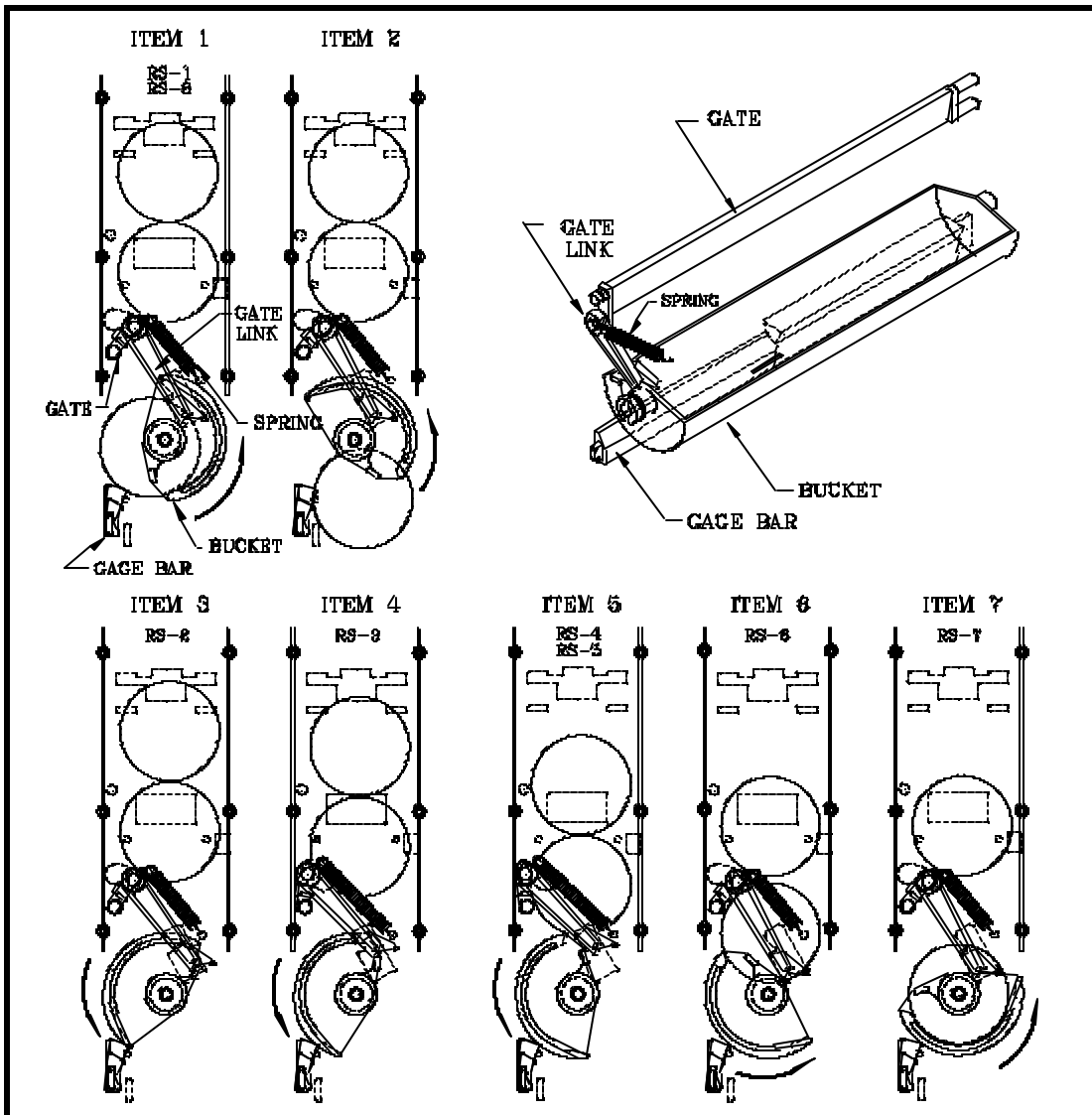
the Motor. The Motor stops.

FIGURE 14

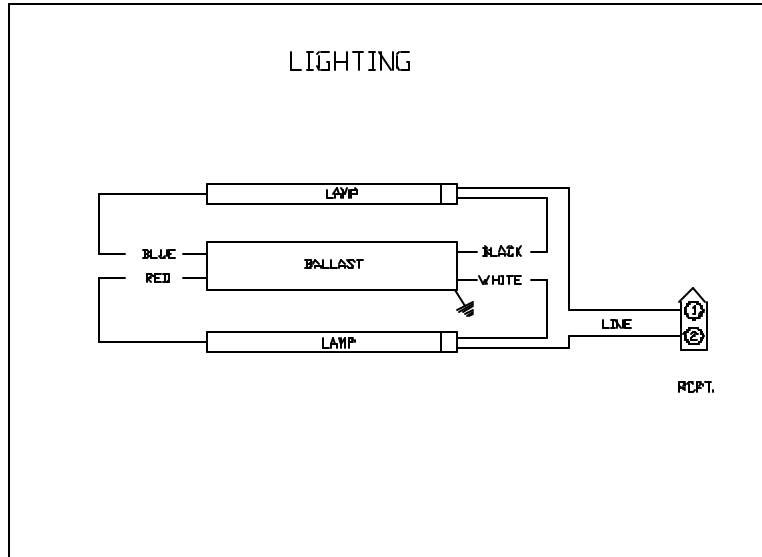
RELOADING SEQUENCE: (See Figure 15)

- RS 1. The gate link rests at a locked position, in a cutout on the mech. plate. This locked position prevents the gate from opening out of sequence.
- RS 2. The gate link is guided by a slot in the mech. plate and actuates by a ridge on the bucket. As the bucket turns, the link is moved out of the locked position.
- RS 3. As the link rises, the gate is opened. The spring maintains Pressure on the Link and the gate.
- RS 4. Product falls onto outside of the bucket.
- RS 5. The bucket releases the gate link causing the gate to rest against the product.
- RS 6. As the product falls into the bucket, the link returns to the locked position and the gate is closed.
- RS 7. The product remaining in the column is caught by the closed gate, keeping it above the bucket.
- RS 8. Bucket stops, product is Ready to vend.

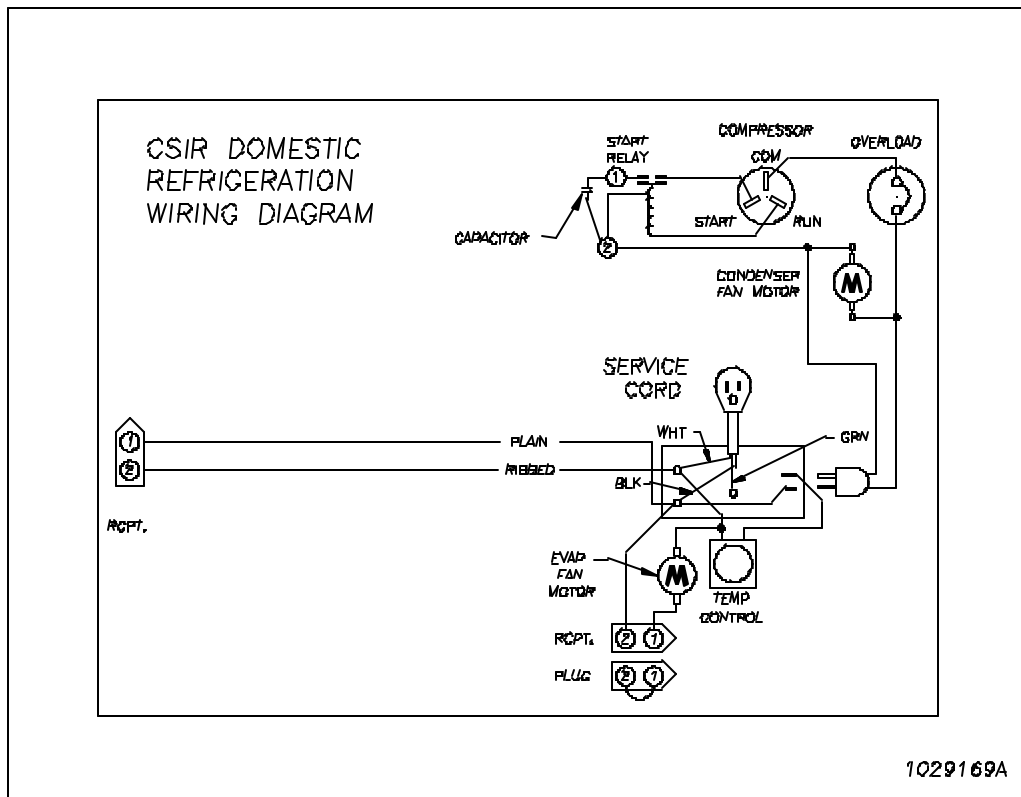
FIGURE 15



LIGHTING WIRING DIAGRAMS



REFRIGERATION WIRING DIAGRAM





REFRIGERATION OPERATION

The refrigeration operation section is divided into three areas: Basic Refrigeration Principle. Detailed Vending machine Refrigeration cycle, and Parts Description.

BASIC REFRIGERATION PRINCIPLE

What a refrigeration system really accomplishes is the transfer of heat. A refrigeration system removes the excess heat from a refrigerated area and then transfers it to a condenser where it is dissipated. As heat is removed, the refrigerated area cools.

In vending machines, large quantities of the heat must be transferred rapidly, economically and efficiently. This process must be able to withstand continuous repetition, without loss of refrigerant, over an extended period. The most common system used in the vending industry is the vapor compression (or simple compression) cycle system. It consists of four basic elements: an evaporator, a compressor, a condenser, and a pressure reducing restricted (all part of a sealed system).

The compression system operates at two pressure levels: the low evaporating pressure and the high condensing pressure. The refrigerant acts as the transport medium, in which heat is moved from the evaporator to the condenser; at the condenser, the heat is dissipated into the surrounding air.

The liquid refrigerant changes from a liquid, to a vapor and back to a liquid again. This change of state allows the refrigerant to absorb, and rapidly discharge, large quantities of heat efficiently.

BASIC VAPOR COMPRESSION SYSTEM CYCLE DESCRIBED:

In the evaporator the liquid refrigerant vaporizes. This change occurs at a temperature enough to absorb heat from the refrigerated space. The temperature of vaporization is controlled by the pressure maintained in the evaporator (the higher the pressure, the higher the vaporization point).

The compressor pumps the vapor from the evaporator, through the suction line, and to the condenser. The compressor takes the low pressure vapor and compresses it, increasing both the pressure and the temperature. The compressor pumps the vapor at a rate rapid enough to maintain the ideal pressure. The hot high pressure vapor is forced out of the compressor, into the discharge line and then into the condenser.

Air is blown through the condenser, allowing heat to transfer from the condenser and into the passing air. As the heat is removed, the stored refrigerant is condensed into a liquid. The liquid refrigerant is stored in the lower tube of the condenser. It is there, available to flow through the restrictor tube, back into the evaporator, where the refrigeration cycle is repeated.



DETAILED REFRIGERATION CYCLE

The following is a detailed refrigeration cycle as it applies to the refrigeration system installed in Vendo equipment. (Refer to the flow chart in Figure 16)

As the temperature in the cabinet rises, the liquid in the thermostat feeler bulb also rises in temperature. As this liquid becomes warmer, it expands. This expanding liquid expands against the temperature control bellows which operates the temperature control switch. The temperature control switch turns on both the compressor and condenser fan.

The evaporator fan pulls air from the front of the refrigerated space of the cabinet. It pulls the air through the evaporator, and blows it up the back of the vend stack. (The evaporator fan runs continuously.) As the air passes through the evaporator, heat is drawn from the air and transferred to the liquid refrigerant. As the cooled air circulates through the vend stack, heat is drawn from the product and transferred to the circulating air. The heated air is again drawn through the evaporator where the heat is removed.

In the evaporator, the liquid refrigerant draws heat from the circulating air. As refrigerant receives heat, it vaporizes.

The compressor pumps the vapor from the evaporator and compresses it (increasing both pressure and temperature). The compressor forces the compressed vapor out, through the discharge line and into the condenser.

The condenser fan pulls air through the condenser. As the hot refrigerant vapor passes through the condenser tubes, heat is drawn from the vapor. This heat is dissipated into the passing air, the air then exits out the back of the vendor. As the refrigerant vapor in the condenser lines is cooled, it returns to a liquid state.

From the condenser the liquid flows to the drier. The drier removes any water and solid particles from the liquid refrigerant.

The cooled liquid refrigerant continues from the drier, through the capillary tube, to the evaporator. The capillary tube steadies the flow rate of the refrigerant. Its small inside diameter allows the pressure in the evaporator to remain low while the pressure in the condenser is high.

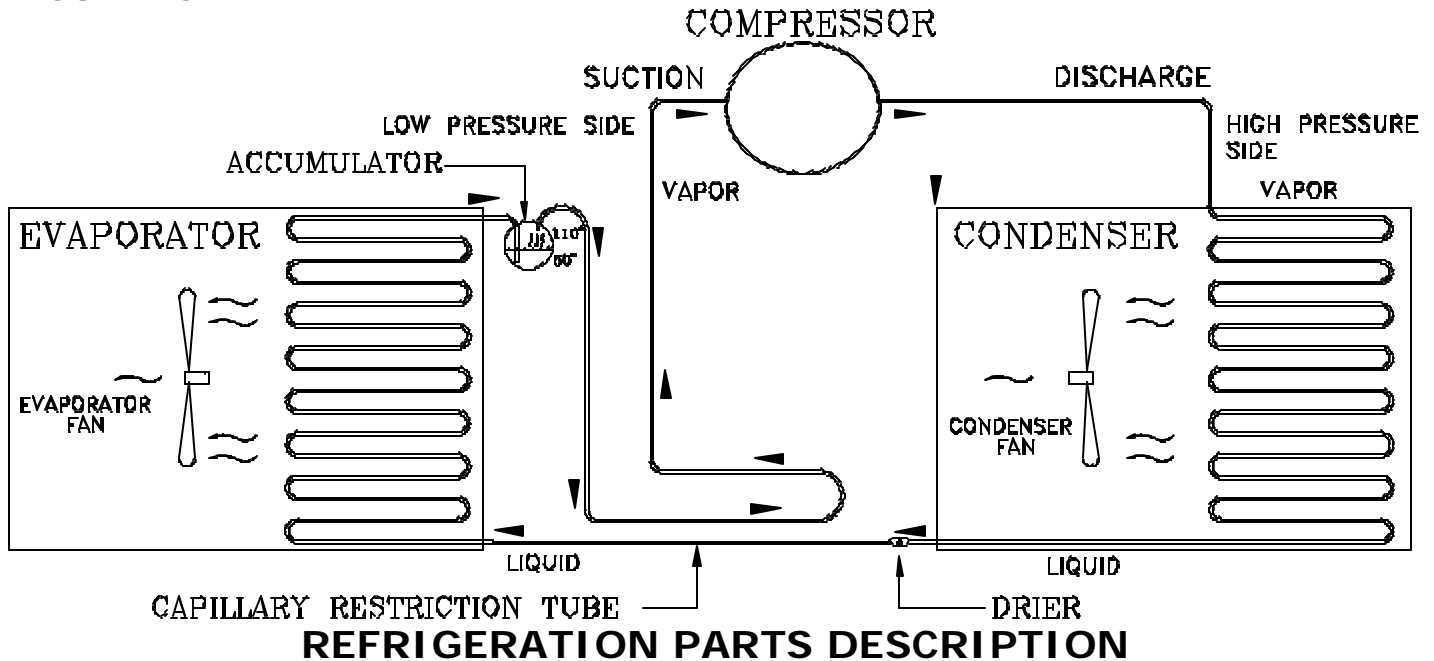
The cool refrigerant in the evaporator draws heat from the circulating air in the cabinet. As the temperature in the cabinet drops, the liquid in the thermostat feeler bulb cools and condenses. The condensed liquid releases the pressure against the



thermostat control bellows, de-actuating the temperature control switch. The deactuated control switch turns off the compressor and condenser fan.

When the temperature in the cabinet rises above the thermostat's setting, the compressor and the condenser fan engage again. The refrigeration process is continuous as long as the compressor operates.

FIGURE 16



The Compressor, Condenser, Drier, Capillary Tube, Evaporator, and Accumulator are part of a sealed system (refer to figure 16). These items are not available separately. For the part number of the sealed refrigeration system refer to the common parts section of the manual.

COMPRESSOR

The compressor takes in low pressure vapor and compresses it, increasing both the pressure and the temperature. The hot high pressure gas is forced out to the condenser. The compressor and the motor that drives the compressor are sealed inside a housing. The compressor, as a unit, is mounted on the refrigeration base. The base is mounted in the bottom of the vendor, outside the sealed refrigeration space.

CONDENSER

The condenser takes heat out of the high pressure vapor that it receive from the compressor. As the vapor passes through the condenser it cools and returns to a liquid state. The condenser is mounted to the refrigeration base near the front of the vendor. It is easily accessible for cleaning.

DRIER

Vendo'

The Drier is a molecular sieve strainer drier. It removes water and solid particles from refrigerant liquid. One side of the dryer is connected to the outlet line of the condenser; the other side is connected to the capillary tube going to the evaporator.



REFRIGERATION PARTS DESCRIPTION (CONTINUED)

CAPILLARY TUBE

The capillary tube controls, at a steady rate, the flow of refrigerant liquid to the evaporator. It has a very small inside diameter to keep pressure in the evaporator low while the pressure in the condenser is high. It is the connecting link between the condenser and evaporator.

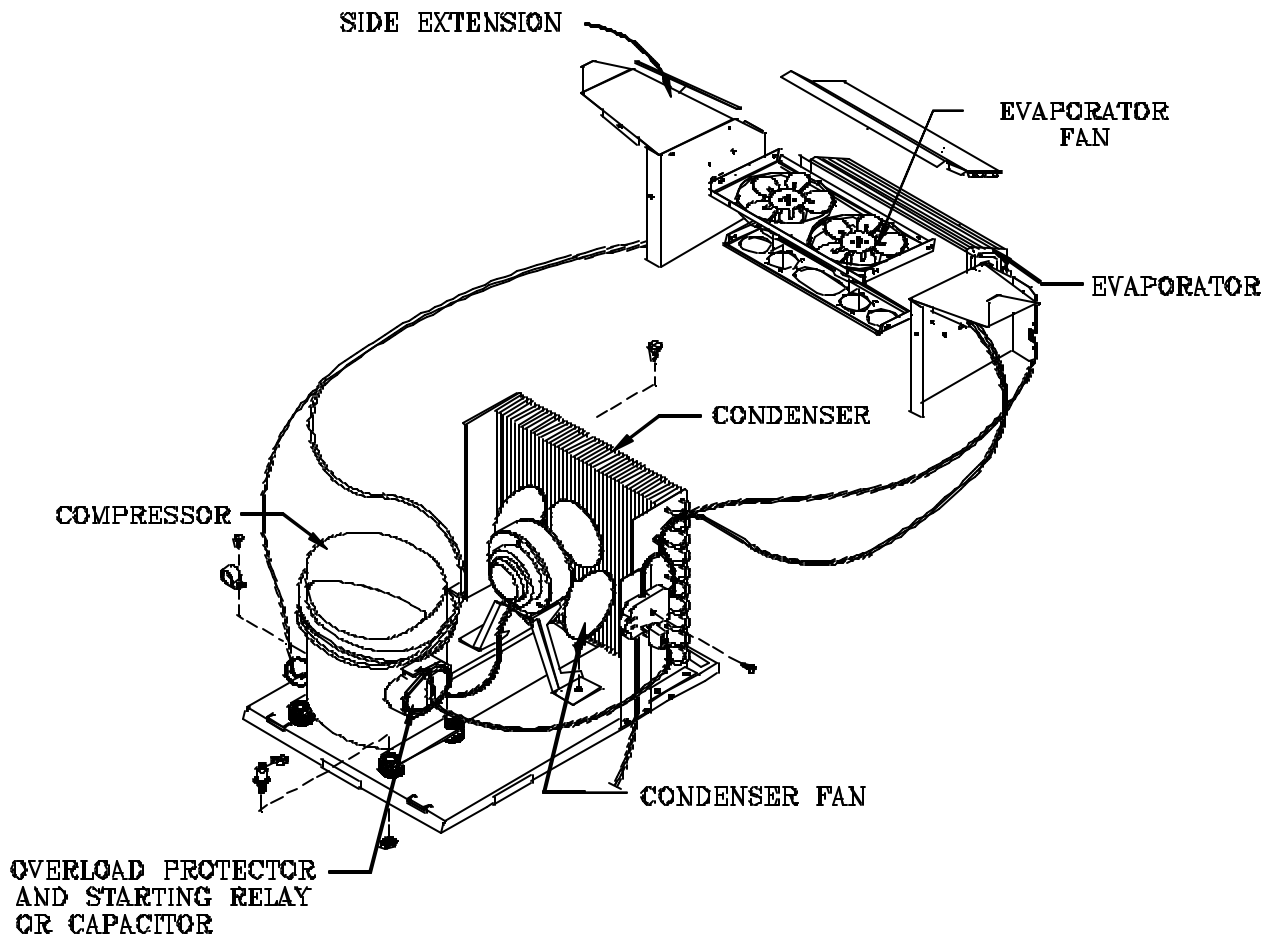
EVAPORATOR

The Evaporator is a heat transference device. It removes the heat from the air in a refrigerated space and transfers it to the refrigerant liquid. This liquid evaporates into a vapor and is sucked out by the compressor. The evaporator is mounted inside the refrigerated space of the cabinet, directly below the delivery chute.

ACCUMULATOR

The accumulator traps any refrigerant liquid which did not boil off into a vapor before reaching the compressor. The accumulator allows the refrigerant liquid to boil off as a vapor (preventing damage to compressor). It also prevents suction line sweating. The accumulator is mounted in the suction line on the outline side of the evaporator.

FIGURE 17



(The parts listed below are not part of the sealed refrigeration system and are available separately. For part numbers, see the refrigeration assembly in the common parts section of the manual.)

CONDENSER FAN ASSEMBLY

The condenser fan pulls cool air from outside the vendor, through the condenser, over the compressor and blows it out the back of the vendor. This cool air removes excess heat from refrigerant in the condenser. The condenser fan runs when the compressor is engaged. The fan assembly is mounted on the refrigeration base between the condenser and compressor.

EVAPORATOR FAN ASSEMBLY

The Evaporator fan pulls air from the front of the refrigerated space, through the evaporator, up the rear of the refrigerated space into the vend stack. The fan blows air through the evaporator (which removes the heat from the air). It circulates the cool air over the product, removing excess heat from the product. The evaporator fan assembly is mounted to a fan bracket, mounted to the extensions of the evaporator. These parts are located in the refrigerated area of the cabinet.



TEMPERATURE CONTROL

The temperature control regulates the temperature inside the refrigerated space of the vendor. The control is adjustable. The temperature control consist of two main parts: the temperature control box and the thermostat feeler bulb. The control box is mounted to the side of the evaporator. The bulb is mounted on the evaporator fan bracket, in the air flow of fan. The bulb is a very narrow tube with a refrigerant liquid inside. Small tubing connects the bulb to the control box. As liquid in the feeler bulb warms, it expands into the tubing and then into the control box, pressing against a bellows. The bellows closes a switch in temperature control, activating the compressor and the condenser fan. As the liquid in the feeler bulb cools it contracts and releases the pressure against the bellows, opening the switch, deactivating the compressor and the condenser fan.

START CAPACITOR - (WHEN USED)

The start capacitor is used on start up of the refrigeration system to phase out excess power to and from the refrigeration system.

STARTING RELAY

The starting relay is mounted in the terminal box on the side of the compressor housing. When the compressor first starts up, the starting relay closes and completes a starting circuit. When the compressor motor reaches operating speed, the starting relay opens and breaks the starting circuit.

THERMAL OVERLOAD SWITCH

The thermal overload switch is mounted in the terminal box on the side of the compressor housing. If the compressor motor gets hot or draws too much current, the thermal overload opens and breaks the starting and running circuit of the motor. As the motor cools, the thermal overload closes, allowing the compressor to run.



MAINTENANCE

The following section is a basic guide for general maintenance and servicing of the Vendor . This section is divided into four parts: (I) Preventative Maintenance, (II) Lubrication Guide, (III) Care and Cleaning, (IV) Basic Trouble Shooting.

I. PREVENTATIVE MAINTENANCE SUGGESTIONS:

When ever a Vendor is visited on its site, the following service should be performed. Preventative maintenance will help prevent future problems with the Vendor.

- A. Observe the Vendor and its surrounding area for any unusual indications of problems (rear on cabinet, obstructions of the air flow, dark spots on the sign face, etc.)
- B. Open the door and visually check the inside of the Vendor (water accumulation, rust marks, moisture around the edges of the inner door, etc.)
- C. Check the fluorescent lamps, replace as necessary. Replace single pin (slimline) lamps within 24 to 48 hours of burnout. This will prevent damage to ballast.
- D. Check the product temperature for proper cooling.
- E. Check evaporator drain for obstruction; water in the evaporator area must drain to the condensate pan.
- F. Empty condensate pan.
- G. Clean the condenser, free vanes of dirt, lint, etc.
- H. Check evaporator fan(s) run normally.
- I. Check the Compressor and condensate fan run normally.
- J. Investigate any unusual sounds (fan blades hitting something, refrigeration lines rattling, etc.)
- K. Clean coin acceptor.
- L. Deposit all coinage accepted by the Vendor to check for proper operation of the coinage mechanism.
- M. Test the Vendor and make a report on the problems,

II. LUBRICATION GUIDE:

Lubricate indicated areas as directed on the chart below.

INTERVALS	PARTS	LUBRICANT
Every six months	Top hinge of door door hinge pin at the base of cabinet door latch cam to cabinet strike T-handle shaft & latch.	Grade two, high low temperature grease
As necessary	Pivot area of bucket and gate	Grade two, high low temperature grease



III. CARE AND CLEANING

- A. GENERAL PROCEDURE (painted metal areas)
Wash Vendor with soap and water. The exterior may be waxed with any good automobile wax.
- B. FRESH PAINT SPLASHES, GREASE, GLAZING COMPOUND REMOVAL
Before drying, these elements may be removed by rubbing lightly with grade "A" Naptha (or equivalent grade solvent). After removal, use general cleaning procedure (listed above as A)
- C. LABELS AND STICKER REMOVAL
Use Kerosene, VM&P grade Naptha or petroleum spirits for removal. When the label material does not allow penetration of solvent (such as vinyl) the application of heat (hair blow dryer) will soften the adhesive and promote removal. **CAUTION:** Excessive heat can cause surface damage. After the label is removed, use the general cleaning procedure (listed above as A).
- D. SCRATCH REMOVAL
Remove or minimize hairline scratches and minor abrasions by using any good quality automobile polish. Test product before using.
- E. LEXAN SIGNS
To clean Lexan sign faces the following procedure is recommended.
1. Wash sign with mild soap or detergent and lukewarm water.
 2. Using soft cloth or sponge, gently wash the sign. **DO NOT SCRUB!**
 3. Rinse well with clean lukewarm water.
 4. Dry thoroughly with a chamois or cellulose sponge (to prevent water spotting). **DO NOT USE SQUEEGEE!**
- NOTE:** Most organic solvents, petroleum, spirits, or alcohol are **NOT** compatible cleaning materials for lexan signs. Usage of those materials could permanently damage the sign.
- F. REFRIGERATION AREA
The condenser and evaporator must be kept clean for efficient operation. Be sure all vanes and tubing are clean and clear of obstruction; This allows free passage of air. Clean with a brush, a vacuum cleaner or compressed air. Keep cabinet drain open; clean as necessary.



TROUBLE-SHOOTING GUIDE

This guide is a general list of probable problems, causes, and solutions. For problems not listed or additional question, contact the Field Service Department at Vendo, 7209 N. Ingram Ave., Fresno, CA 93650 or call 1-800-344-7216. Please have the manufacturer's date code and model number of the vendor when you call.

The trouble-shooting guide is divided into three columns: First Column, Possible Problem; Second Column, Possible Cause; Third Column, Service Suggestion.

POSSIBLE PROBLEMS	POSSIBLE CAUSE	SERVICE SUGGESTION
Returns all good coins	No power to vendor	Check power Supply
	No power to changer	Check coin mechanism plugs check for faulty harness wiring (see wiring diagram for circuit)
	Acceptor is out of adjustment or coin gate is not closed	Check coin mechanism
	Electronic-CREM function: 1.) No power to acceptor. 2.) Defective acceptor	1. Check electrical connections of the acceptor. 2. Replace acceptor
	Coin paths are dirty	Clean acceptor with approved cleaner. <u>DRY</u> <u>VERY THOROUGHLY</u>



POSSIBLE PROBLEM	POSSIBLE CAUSE	SERVICE SUGGESTION
Money accepted no product vended	No selections work	Check No.1 selection switch, replace if necessary.
	No. 1 selection works, No. 2 thru last does not.	Check No 2. section switch, replace it necessary. This pattern can continues thru last selection switch as selection circuit goes from 1 to 2 to 3. etc., to last
	Soldout Switch (of column selected) inoperative	Check switch, replace
	Motor starts, does not run	Check motor carrier switch, replace switch
Vend motor runs until two or three products are vended or vend motors run continuously.	Improper cam lobe adjustment	Check Cam for proper arrangement of cam lobes (see product set up guide)
	Motor carrier switch not making contact with cam lobe or switch	Check lever for proper lever positioning and freedom of movement
Refrigeration unit will not run at all	No power to vendor	Check power supply also check service cord connections.
	Thermostat open (temperature control)	Check thermostat (Apply insulated jumper across terminals, if compressor starts, replace thermostat)
	Temperature control bulb out of position	Check that bulb is in air flow
Compressor will not start	Overload Protector Inoperative	Check overload (apply insulated jumper across terminal, if compressor starts, replace overload)
Compressor will not start condenser fan motor running, unit cool (no power to compressor)		



POSSIBLE PROBLEM	POSSIBLE CAUSE	SERVICE SUGGESTION
Compressor will not start, condenser fan motor running - unit hot (power to compressor)	Starting relay or capacitor inoperative	Check relay or capacitor replace
	Compressor inoperative	Disconnect power to vendor, remove all leads from compressor, check continuity from "common", "start" and "run" to compressor case. If continuity shows, replace compressor. Also Check from "common to start". (using continuity or IHMS.) If meter fails to show reading replace compressor.
Compressor starts but does not run	Will not cycle	Check overload and contact, replace overload if necessary
	Starting relay stays closed	Replace relay
	Thermostat inoperative	Check thermostat clean contacts with approved electrical cleaner. Replace thermostat if necessary
	Compressor motor problem	Check, replace
Compressor runs but cabinet temperature warm	Loss of refrigerant	Replace refrigeration unit (Note: any work of this nature done without express permission from The Vendo Company can void refrigeration unit warranty)
	Condenser fan not working	Check circuit to run motor. Replace motor. Check for obstruction of fan blade.
	Blocked or dirty condenser (refer to initial installation	Check condenser vanes for obstruction, lint or dirt. Clean, also check for

Vendo

in the service manual)	proper air flow through refrigeration area.
Evaporator fan not working	Check circuit to fan motor. Replace motor also check for obstruction of fan blade
Bad inner door seal	Check for moisture on seal. Adjust inner door as necessary (see initial setup of service manual). Replace door seal.



POSSIBLE PROBLEM	POSSIBLE CAUSE	SERVICE SUGGESTION
Compressor runs, but cabinet temperature warm	Thermostat set too high	Adjust thermostat (see initial set up of service manual)
Compressor runs continuously	Thermostat inoperative	Check thermostat
Evaporator frosted over	Water at base of evaporator unit	Check for proper drainage (such as plugged drain, kinks in drain tube, etc.) check door seal
Product freezing up too cold	Thermostat set too low	Adjust thermostat (See initial set up of service manual)
	Thermostat inoperative (compressor runs continuously)	Check thermostat replace if necessary
	Thermostat feeler bulb out of position	Adjust feeler bulb (see initial set up of service manual)
Excessive noise	Fan blade bent or hitting shroud	Straighten, relocate shroud position, or remove shroud.
	Fan motor noisy	Replace if necessary
	Refrigeration base loose or bent	Tighten bolt or replace if necessary



READING A PARTS LIST

- I **ITEM NUMBER** is found in two locations:
- It is on the drawing plate, and identifies the part and its location;
 - The same number is in the parts lists and ties the two together.
- II **PART NUMBER** is the part number that has been assigned to a specific part by Vendo, for easier identification.
- III **QUANTITY REQUIRED** relates to the amount required of a part, or will be indicated by "A/R" as required to attach it to another part.
- IV **PART NAME AND DESCRIPTION** is the general description for the part, for easier identification when ordering a like part.
-

The example below will show how the parts are listed in the parts lists:

- VEND MOTOR ASSEMBLY:** This is the main assembly named, and any replaceable parts will be indented below the assembly.
- RETAINER CAM:** This is an individual part, and will be indented. These indented parts can be ordered separately, so you do not need to order the entire assembly.
- Whenever an assembly is ordered, all the parts that are indented will be included in the assembly. Any hardware will be listed next to their corresponding parts.
- Any parts that may be ordered separately will not have any indented parts listed below them.

"UNIVENDOR-2" VEND MOTOR ASSEMBLY

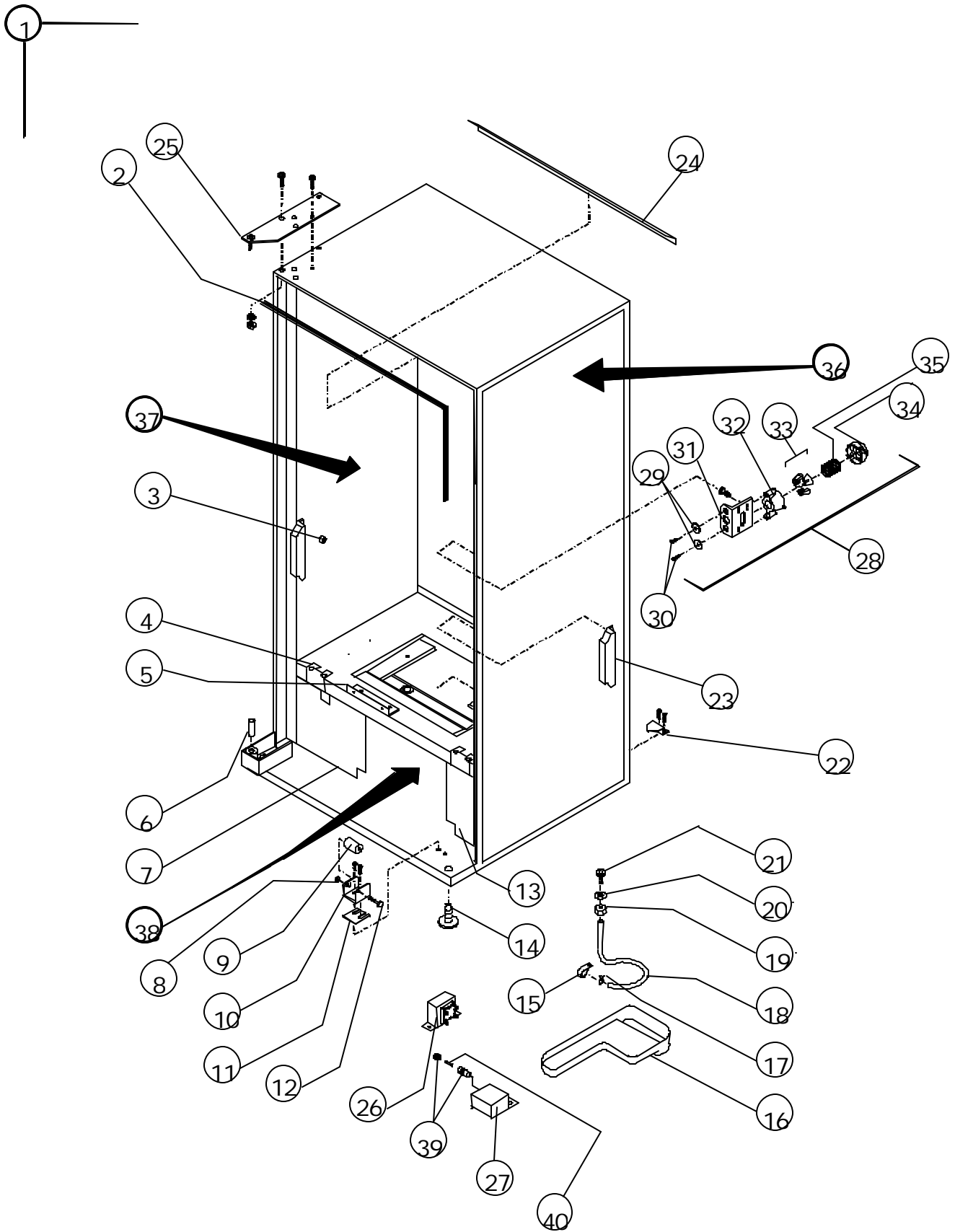
ITEM NO.	PART NO.	QTY REQ'D	DESCRIPTION
1	133787-1	-	VEND MOTOR ASSEMBLY
2	389401	1	RETAINER CAM
3	390360	1	TIMING CAM
4	388687	1	CARRIER SWITCH
5	388303	1	BASE SWITCH (SPACER)
6	340025-3	1	INSULATOR
7	388637	1	VEND MOTOR
8	V384341	2	PH TAP SCREW 4- 4 x 1 1/8
9	V801422	3	HH TAP SCREW 10- 16 x 1/2



If an asterisk is listed below the parts list, it is an indication that special information is noted. There may be more than one (*) (**) (***) asterisk denoting special notes.

"UNIVENDOR-2" KIT LIST

DESCRIPTION	KIT NUMBER
INNER - OUTER DOOR LOCK	1087511
T-HANDLE LOCK COVER KIT - TRADE	1047795
T-HANDLE LOCK COVER KIT - COCA COLA	1047779
T-HANDLE LOCK COVER KIT - DR PEPPER	1051503-1
T-HANDLE LOCK COVER KIT - PC 95'	1051503-4
CROWN BOX KIT - COKE	133555-1
VENDOR SUPPORT KIT - BLACK BRACKETS	133666
BILL VALIDATOR ADAPTER KIT	133585
INNER DOOR GASKET - 72"	389622-3
INNER DOOR GASKET - 79"	389622-4
CASTER KIT	133513
CASTER W/ BRAKE KIT	133513-1
COIN BOX LOCK	1087759



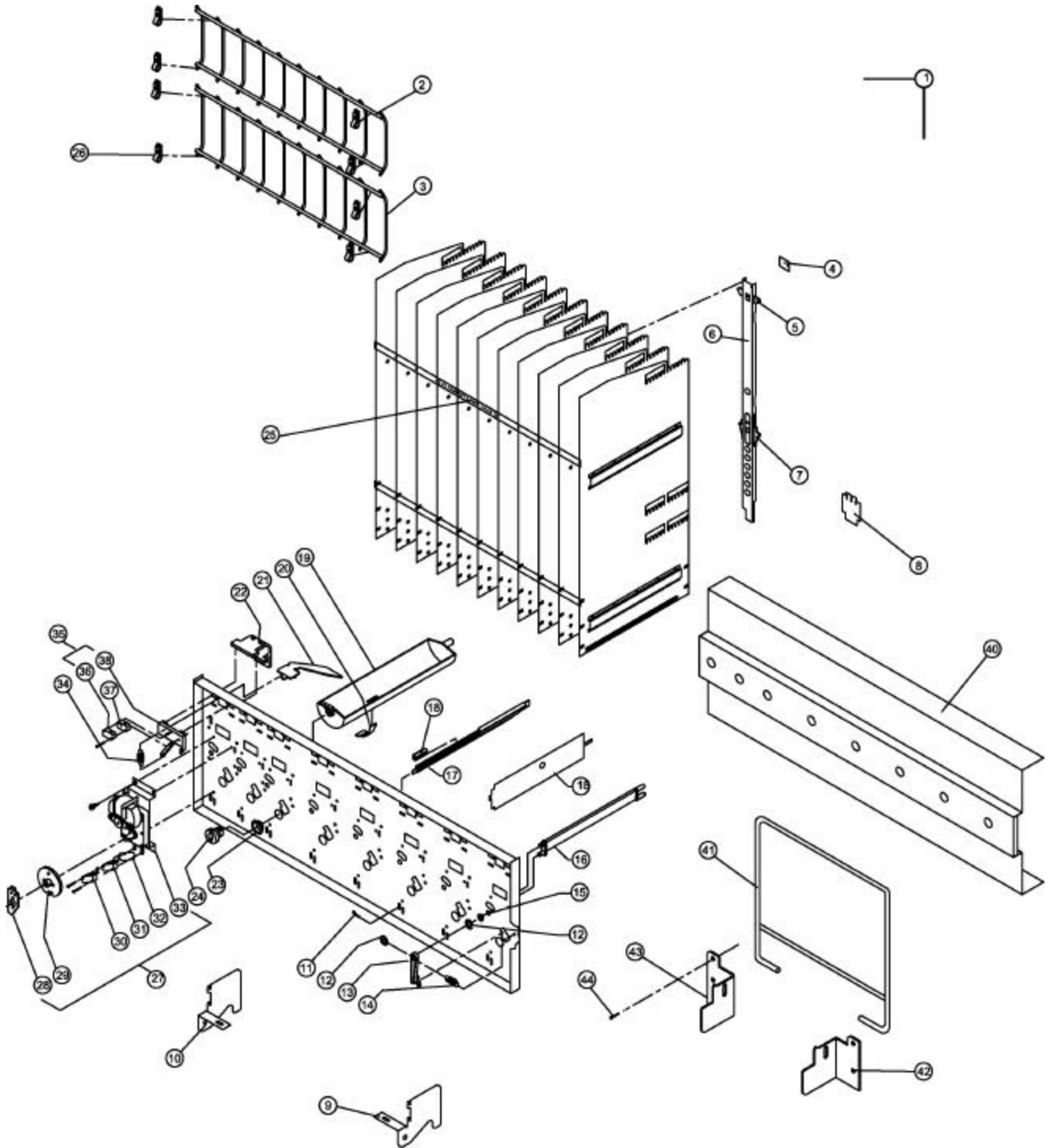


“UNIVENDOR - 2” CABINET ASSEMBLY

ITEM NO.	DESCRIPTION	REQ.	PART NO.
1*	CABINET ASSEMBLY	1	~
2	RAIN GASKET	1	389463
3	SHOULDER SCREW	2	1004328
4	CLOSURE CAP	2	1123373
5	BRACKET - CHUTE	1	388387
6	HINGE PIN	1	389071
7	AIR DAM LEFT	1	1035851-1
8	1/4-20 HEX LOCK NUT	1	V802054
9	ROLLER	1	368656
10	ROLLER BRACKET - DOOR LIFT	1	388096
11	SHIM BRACKET	A/R	388097
12	1/4 - 20 x 2 1/4 HEX CAP SCREW	1	V802053
13	AIR DAM RIGHT	1	388917
14	LEVELING LEG	4	1059902
15	STRAP ADJUSTABLE - TUBING	1	342621
16	CONDENSATE PAN	1	1112023
17	CLIP - TUBING TO PAN	1	1078449
18	DRAIN TUBING	1	1111597
19	NUT - DRAIN TUBE	1	387925
20	WASHER	1	387837
21	DRAIN TUBE	1	1068678
22	BRACKET - REFRIGERATION	2	388387
23	EXTENSION INNER DOOR	2	1075309
24	AIR BAFFLE	1	1068023
25	TOP HINGE ASSEMBLY	1	2000805-03
26	TRANSFORMER (SEE PAGE B-8 OR C-10)	1	~
27	TRANSFORMER COVER (SEE PAGE B-8 OR C-10)	1	~
28	QUICKER - LOCK ASSEMBLY	1	1068627
29	RETAINER WASHER	2	389026
30	8-18 1/2 SCREW	2	V802044
31	LATCH BRACKET	1	2001511
32	RETAINER	1	389022
33	NUT SEGMENT	3	1033085
34	CAP	1	1111988
35	SPRING	1	389690
**36	SIDE DECAL	2	~
37	DELIVERY CHUTE - NOT SHOWN	1	1068066
38	REFRIGERATION ASSEMBLY (SEE PAGE A7 - A8)	1	~
39	FUSE HOUSING (SEE PAGE B-8 OR C-10)	1	~
40	FUSE - 5 AMP (SEE PAGE B-8 OR C-10)	1	~

*NOTE: WHEN ORDERING CABINET ASSEMBLY, PLEASE PROVIDE **9-CODE** AND **MANUFACTURER'S DATE CODE**.

NOTE: WHEN ORDERING DECALS, PLEASE PROVIDE **STYLE.





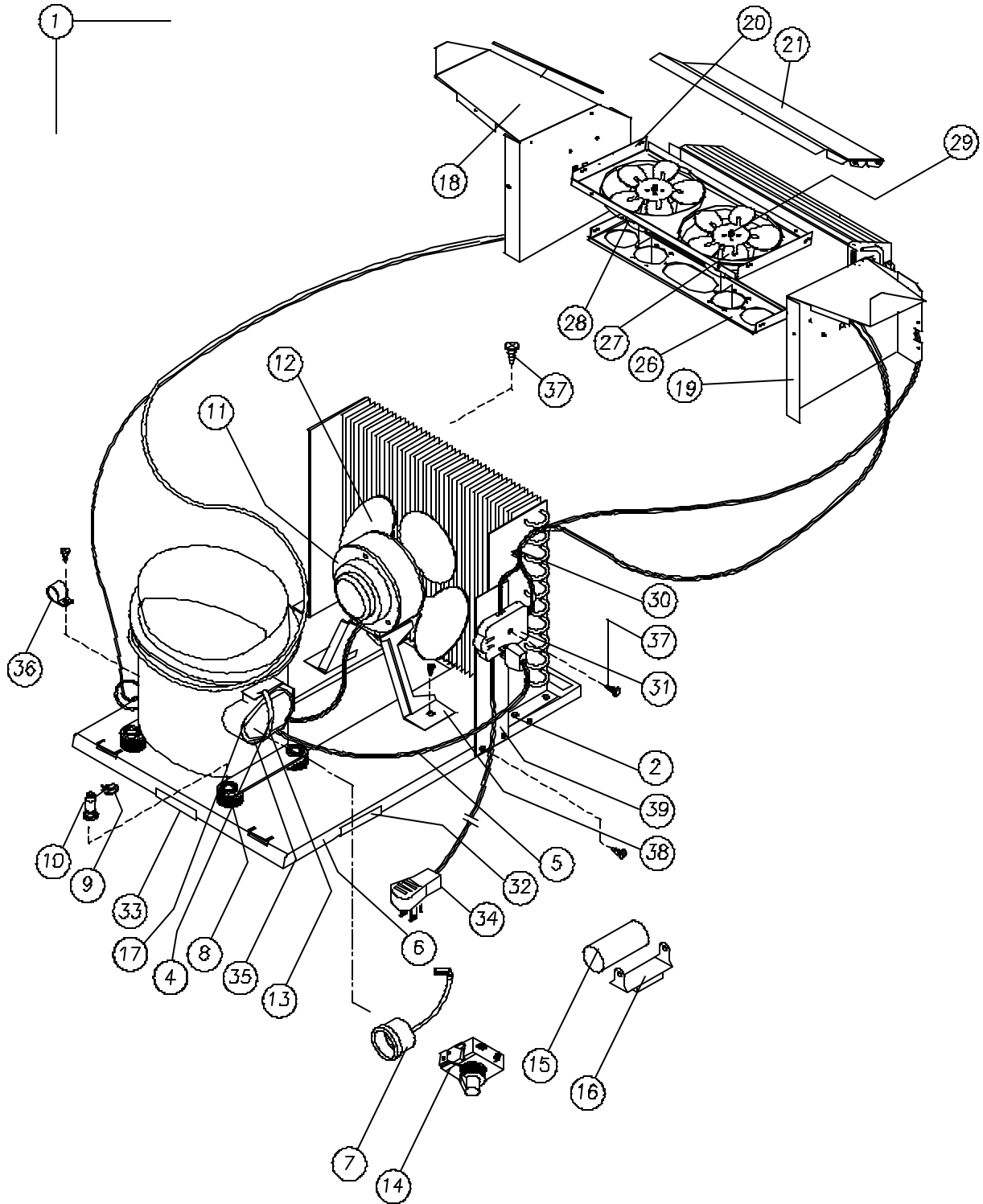
“UNIVENDOR - 2” STACK ASSEMBLY

ITEM NO.	DESCRIPTION	MODEL NUMBER	511	601
		REQ.	PART NO.	PART NO.
1*	VEND MECH COMPLETE	1	~	~
2	UPPER PRODUCT CAGE ASSEMBLY	1	1080147	1080147-1
3	LOWER PRODUCT CAGE ASSEMBLY	1	2010142	1069163
4	KEEPER	10	389992	389992
5	HANGER - TOP	10	1120489	1120489
6	BACK SPACER	10	1110929	1060341-1
7	HANGER - BOTTOM	10	1120490	1120490
8	BAFFLE	10	1074015	1074015
9	PIVOT BRACKET - RIGHT	1	390363	390363
10	PIVOT BRACKET - LEFT	1	390363-1	390363-1
11	COTTER CLIP - GAGE BAR	10	387450	387450
12	E-CLIP - GATE	20	V801080	V801080
13	GATE LINK	10	1120140	1120140
14	SPRING	10	387849	387849
15	BUSHING - GATE (FRONT & REAR)	20	385603-5	385603-5
16	GATE	10	1066082	1066082
17	GAGE BAR	10	1110678	1110678
18	CLIP - SEE PRODUCT SET-UP GUIDE (TALL)**	AR	1066112	1066112
~	CLIP - SEE PRODUCT SET-UP GUIDE (SHORT)**	AR	1066104	1066104
~	PRODUCT SHIM - FLAT	AR	1074465	1074465
19	VEND BUCKET	10	1080236	1080236
20	ANTI THEFT CLIP	AR	389712	389712
21	SOLD OUT LEVER	10	388630	388630
~	SOLD OUT LEVER - SHORT	10	1083449	1083449
22	SPACER - SOLD OUT LEVER	10	1077457	1077457
23	BUSHING - VEND BUCKET (FRONT & REAR)	20	1008706	1008706
24	ADAPTER COUPLING	10	1076465	1076465
25	LABEL - “CLOSE RETAINER CAGE”	1	1067546	1067546
26	GLIDE CAGE SUPPORT	8	8910-0252	8910-0252
27	VEND MOTOR ASSEMBLY	10	134837-1	134837-1
28	RETAINER - CAM	1	1113244	1113244
29	TIMING CAM	1	1113236	1113236
30	CARRIER SWITCH	1	388687	388687
31	BASE SWITCH (SPACER)	1	388303	388303
32	INSULATOR	1	340025-3	340025-3
33	VEND MOTOR	1	388637	388637
34	SPRING	10	390326	390326
35	SOLDOUT LEVER ASSEMBLY	10	1069171	1069171
36	SWITCH - SOLD OUT	1	368299	368299
37	BASE SWITCH (SPACER)	1	388303	388303
38	SWITCH MOUNT - SOLDOUT	1	1005901	1005901
39	MECH HARNESS - 10 COL - (NOT SHOWN)	1	1012282	1012282
40	MECH COVER	1	1080171	1080171
41	LOADING RACK	1	134717	134717
42	BRACKET - LEFT HAND	1	1068619-1	1068619-1
43	BRACKET - RIGHT HAND	1	1068619	1068619
44	TAP SCREW 10-16 x 1/2 HEX HD CR	AR	V801422	V801422

* NOTE: PLEASE PROVIDE MODEL AND SERIAL NUMBERS WHEN ORDERING COMPLETE ASSEMBLIES

** NOTE: DEPENDING ON PRODUCT SETUP

6.02





“UNIVENDOR - 2” REFRIGERATION ASSEMBLY

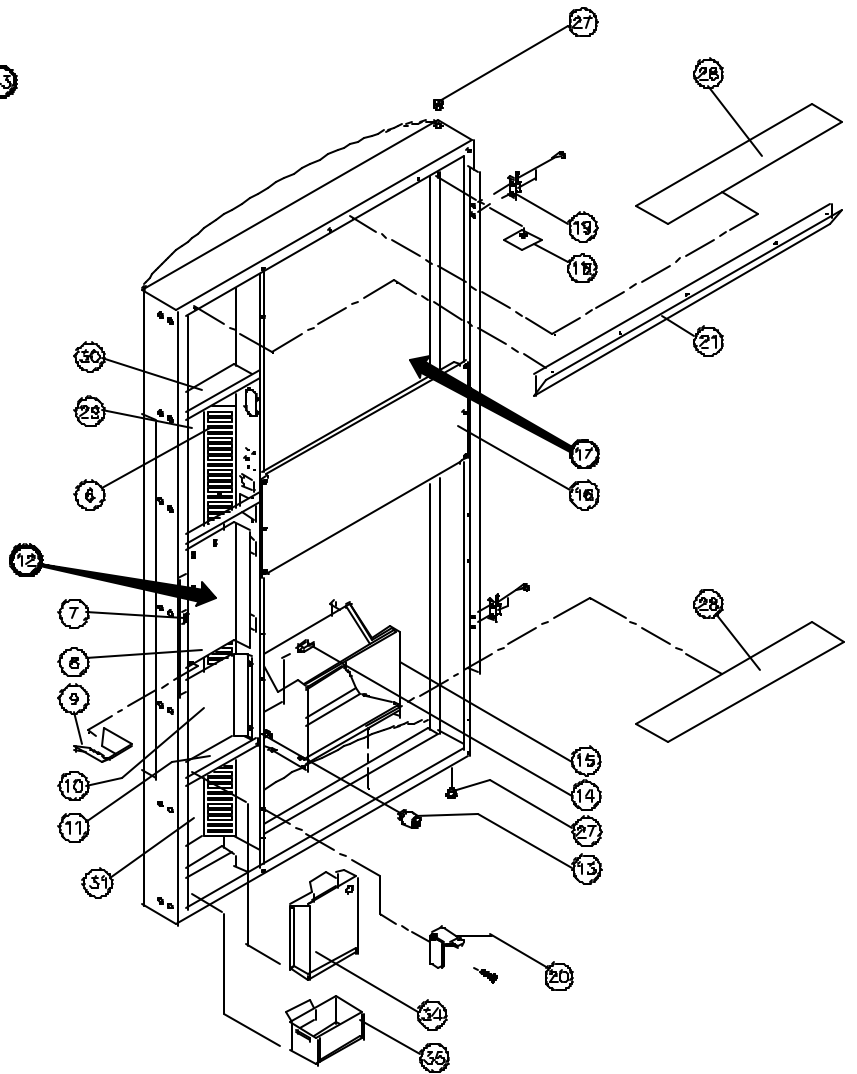
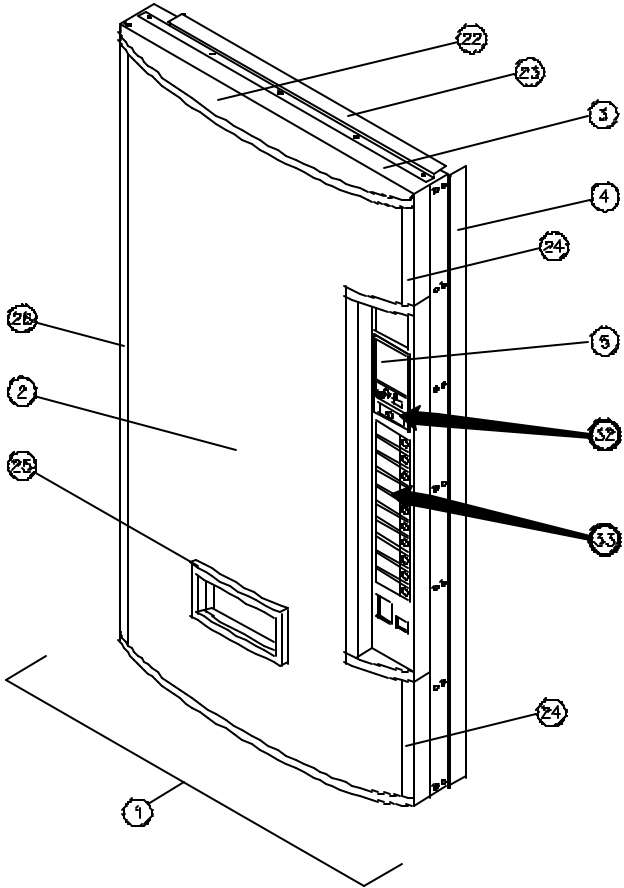
ITEM NO.	DESCRIPTION	REQ.	PART NO.
1	REFRIGERATION ASSEMBLY D88 TC S 1/3 R134a CAP START	1	1120341
2	TINNERMAN - CONDENSER MOUNT	2	916923
3	STRAP	1	344306
4	BRACKET - CONDENSER FAN	1	389797
5	COMPRESSOR CORD	1	1118686
6	BASE - REFRIGERATION	1	1006703
7	OVERLOAD PROTECTOR	1	45052-49
8	GROMMET - COMPRESSOR MOUNT	4	323090-1
9	CLIP - COMPRESSOR MOUNT	2	343874
10	STUD COMPRESSOR MOUNT	2	390102
11	FAN MOTOR - CONDENSER 110v	1	42321-36
12	FAN BLADE - CONDENSER	1	320766
13	COVER - OVERLOAD	1	344308
14	START RELAY 115v 60 Hz	1	333894-26
15	CAPACITOR	1	1031872
16	BRACKET - CAPACITOR	1	389617
17	SPRING - OVERLOAD	1	344305
18	RIGHT EXTENSION - EVAPORATOR	1	1067473
19	LEFT EXTENSION - EVAPORATOR	1	1067473-1
20	ORIFICE PLATE - EVAPORATOR FAN	1	360820
21	TOP COVER - EVAPORATOR	1	1067481
22	CLIP - TEMP CONTROL PROBE - NOT SHOWN	1	1030612
23	BUSHING - TEMP CONTROL PROBE - NOT SHOWN	1	389747
24	BUSHING - EVAPORATOR FAN WIRE - NOT SHOWN	1	327699-2
25	TEMPERATURE CONTROL - 115v - NOT SHOWN	1	368794
26	BRACKET - EVAPORATOR FAN MOTOR	1	1114589
27	FAN BLADE	2	1001272
28	EVAPORATOR FAN MOTOR 115v	2	42321-17
29	RETAINER CLIP - FAN BLADE	3	V42323
30	CLAMP - WIRE ROUTING	1	384692-3
31	BRASS NUT - CORD EYELET	2	V800892
32	EDGE TRIM - BASE (SHORT)	3	388304-1
33	EDGE TRIM - BASE (LONG)	1	388304
34	SERVICE PLUG ASSEMBLY	1	1087384
35	BALESTRAP - COVER	1	344306
36	CLAMP - DRIER	1	384692-3
37	SCREW - 10 - 32 1/2 FLAT HEAD	1	V802074
38	BRACKET - SERVICE CORD	1	390366
39	SCREW - 1/4 - 20 x 1 CR TAP	1	V801343



**UNIVENDOR - 2
PARTS & SERVICE**

1039261-B

Coca-Cola Parts Section





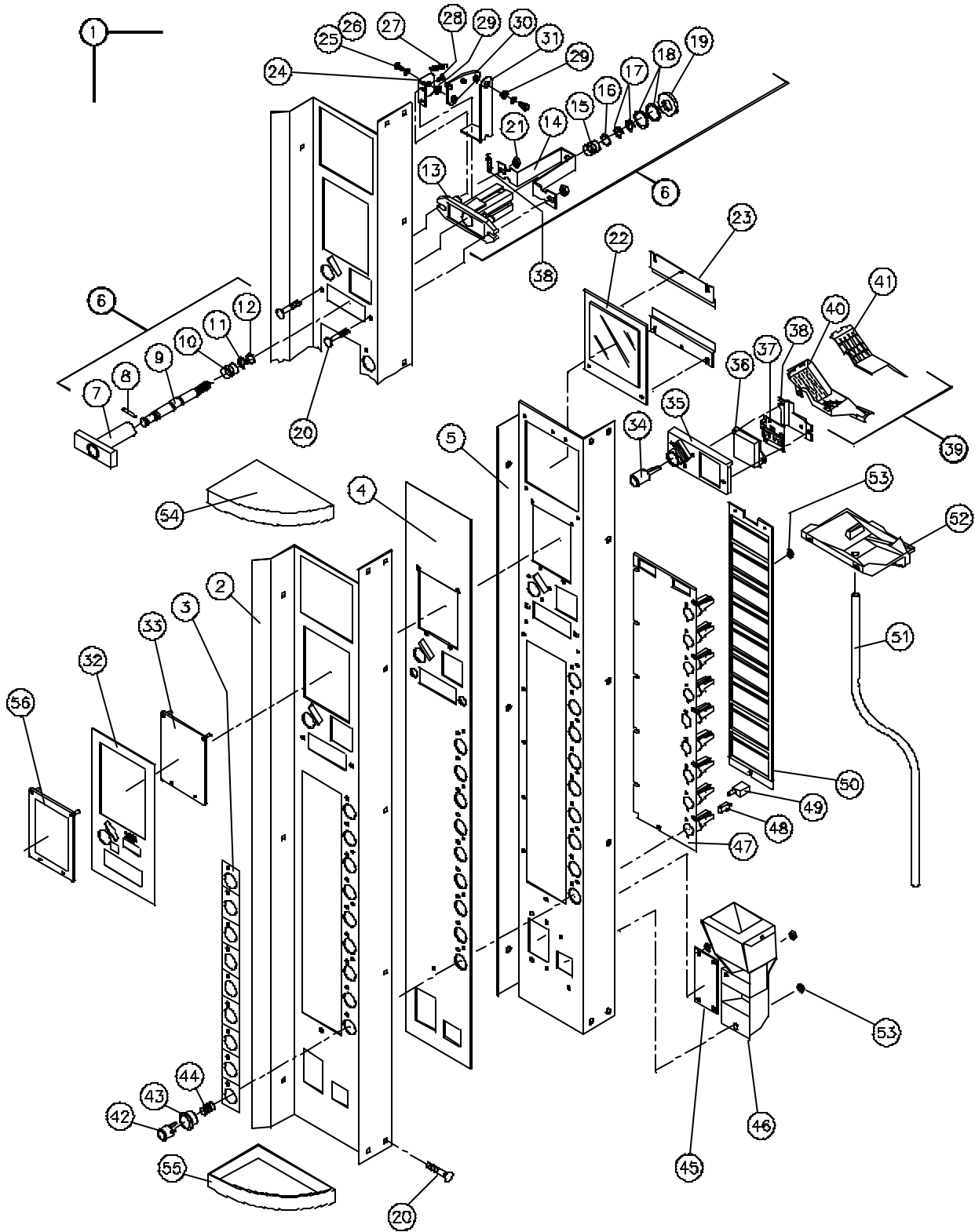
“UNIVENDOR - 2” COCA COLA MAIN DOOR

ITEM NO.	DESCRIPTION	MODEL NUMBER	511	601
		REQ.	PART NO.	PART NO.
1*	OUTER DOOR - 9 SELECT	1	~	~
2**	SIGN FACE	1	~	~
3	DOOR FRAME WELD	1	1034111-1	1034111
4	DOOR GUARD	1	133629-4	133629-3
5	VALIDATOR PLUG	1	2001228	2001228
6	MIDDLE PANEL	1	1017802-1	1017802
7	LATCH - COINAGE DOOR	1	1085546	1085546
8	COIN DOOR ASSEMBLY	1	1065856	1065856
9	COIN CHUTE	1	1072813	1072813
10	BARRIER PANEL	1	1117147	1117147
11	BULKHEAD	1	1018337	1018337
12	DOOR HARNESS - NOT SHOWN	1	1012304	1012304
13	BUMPER - DOOR	1	1036912	1036912
14	TIE STRAP - PUSH MOUNT	1	1088864	1088864
15	DELIVERY HOPPER ASSEMBLY	1	133574-10	133574-10
16	SHEAR PANEL - MIDDLE - NOT SHOWN	1	1120713	1120713
17	LIGHT ASSEMBLY (SEE PAGE B11 - B12)	1	~	~
18	BACKING PLATE	1	388443	388443
19	HINGE - INNER DOOR	2	1121287	1121287
20	RAMP/CATCH - INNER DOOR	1	1016962	1016962
21	RAIN GUTTER	1	388581-1	388581-1
22	SIGN CAP	2	1114341	1114341
23	RAIN GUARD	1	133647-2	133647-2
24	SIGN TRIM	2	388125-3B	388125-1B
25	EYELET	1	388271	388271
26	SIGN TRIM	1	388125-2B	388125B
27	BUSHING	2	388094	388094
28	CAP REFLECTOR	2	390094	390094
29	VANDAL PANEL - TOP	1	1017403	1017403
30	TOP BULKHEAD	1	1016903	1016903
31	VANDAL PANEL - BOTTOM	1	1018388-1	1018388
32	LOCK ASSEMBLY (SEE PAGE B3 - B6)	1	~	~
33	SELECTION PANEL (SEE PAGE B3 - B6)	1	~	~
34	COIN BOX	1	133563	133563
35	CROWN BOX	1	133552	133552

*NOTE: WHEN ORDERING DOOR ASSEMBLY. PLEASE PROVIDE **9-CODE** AND **MANUFACTURER'S DATE CODE**.

NOTE: WHEN ORDERING SIGN FACE, PLEASE PROVIDE **STYLE.

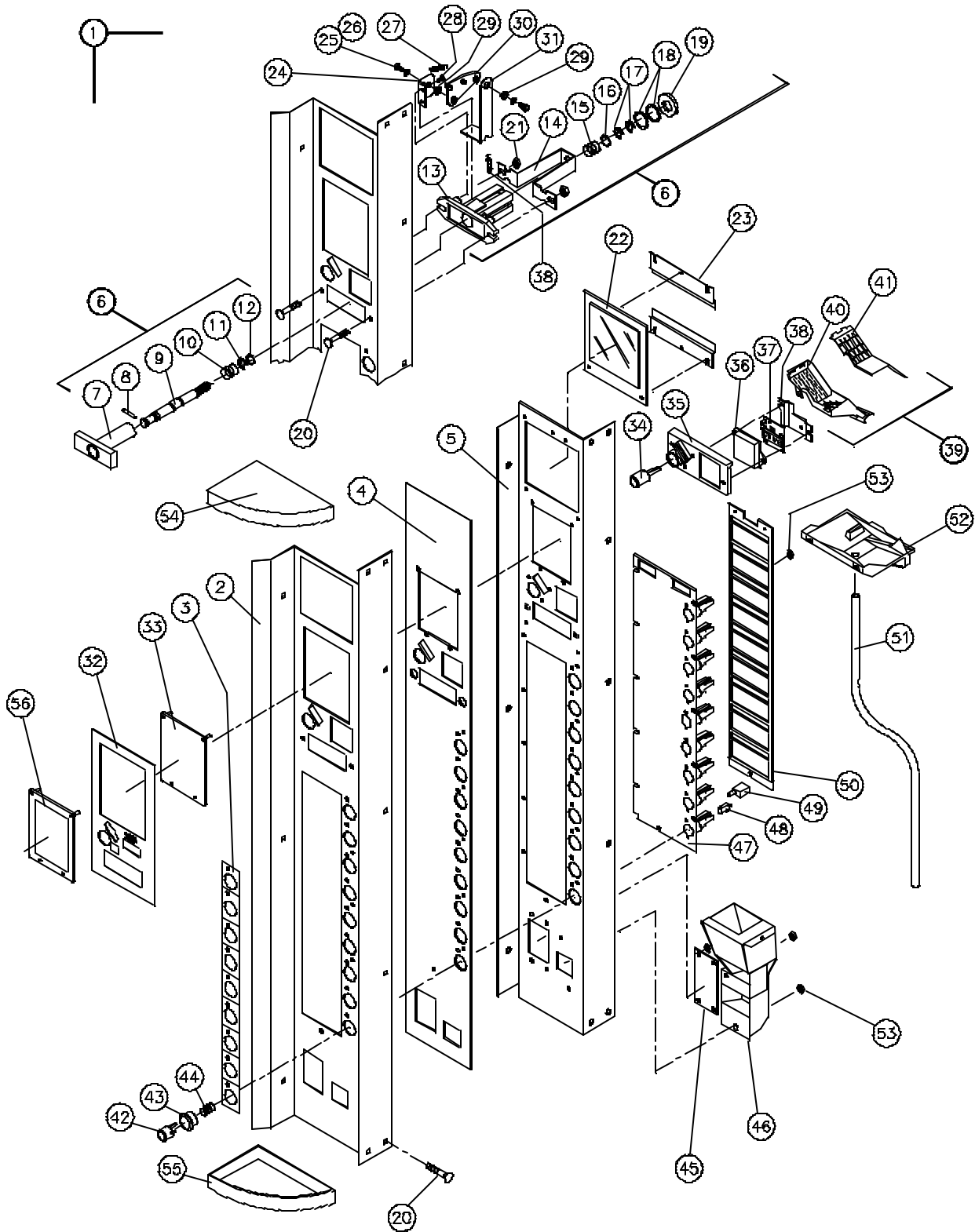
Vendo





"UNIVENDOR - 2" COCA COLA SELECTION PANEL

ITEM NO.	DESCRIPTION	REQ.	PART NO.
1	CONTROL PANEL ASSEMBLY - 9 SELECT	1	1112643-01
2	OVERLAY PANEL - 9 SELECT	1	1066252-2
3	DECORATIVE PANEL - 9 SELECT	1	1029576
4	COVER PANEL	1	1122419
5	SELECTION PANEL	1	1034138
6	LOCK ASSEMBLY - QUICKER LOCK	1	1087546
7	T-HANDLE	1	1002392
8	PIN - STUD	1	387601
9	LOCK STUD - QUICKER LOCK ASSY	1	1002635
10	SPRING	1	389691
11	E-RING RETAINER	1	388589
12	HEX WASHER	1	387600
13	FLANGE	1	1002384
14	STRAP - LOCK SUPPORT	1	1027859
15	SPRING - HEAVY DUTY	1	389691
16	FLAT WASHER	1	387718
17	E-RING RETAINER	2	388589
18	WASHER - 1/2"	2	V801023
19	VAPOR SEAL	1	388132
20	CARRIAGE BOLT 1/4-20 x 3/4	AR	V801434
21	NUT/LOCK WASHER ASSY. 1/4-20	AR	V800959
22	"POINT-OF-SALE" WINDOW	1	388130
23	RETAINER - POS	2	1032348
24	PIVOT BRACKET - COIN RETURN	1	1002252
25	PH TAP SCREW #8-10 x 1/2	2	V802214
26	WASHER #10	2	V801013
27	SPRING - COIN RETURN CRANK	1	1045075
28	HH TAP SCREW #8-18 x 1/2	2	V801475
29	BUSHING	2	385603-4
30	CRANK - COIN RETURN LEVER	1	1002244
31	LEVER - COIN RETURN	2	1052619
32	DECAL - INSTRUCTION	1	1044885
33	PLUG - DBV	1	1003283
34	BUTTON - COIN RETURN	1	1050473
35	GUIDE PLATE - COIN INSERT/RETURN	1	1050481
36	LENS - DISPLAY	1	1039652
37	PCB - DIGITAL DISPLAY - ELECTRONIC	1	1089678





"UNIVENDOR -2" COCA COLA SELECTION PANEL (CONTINUED)

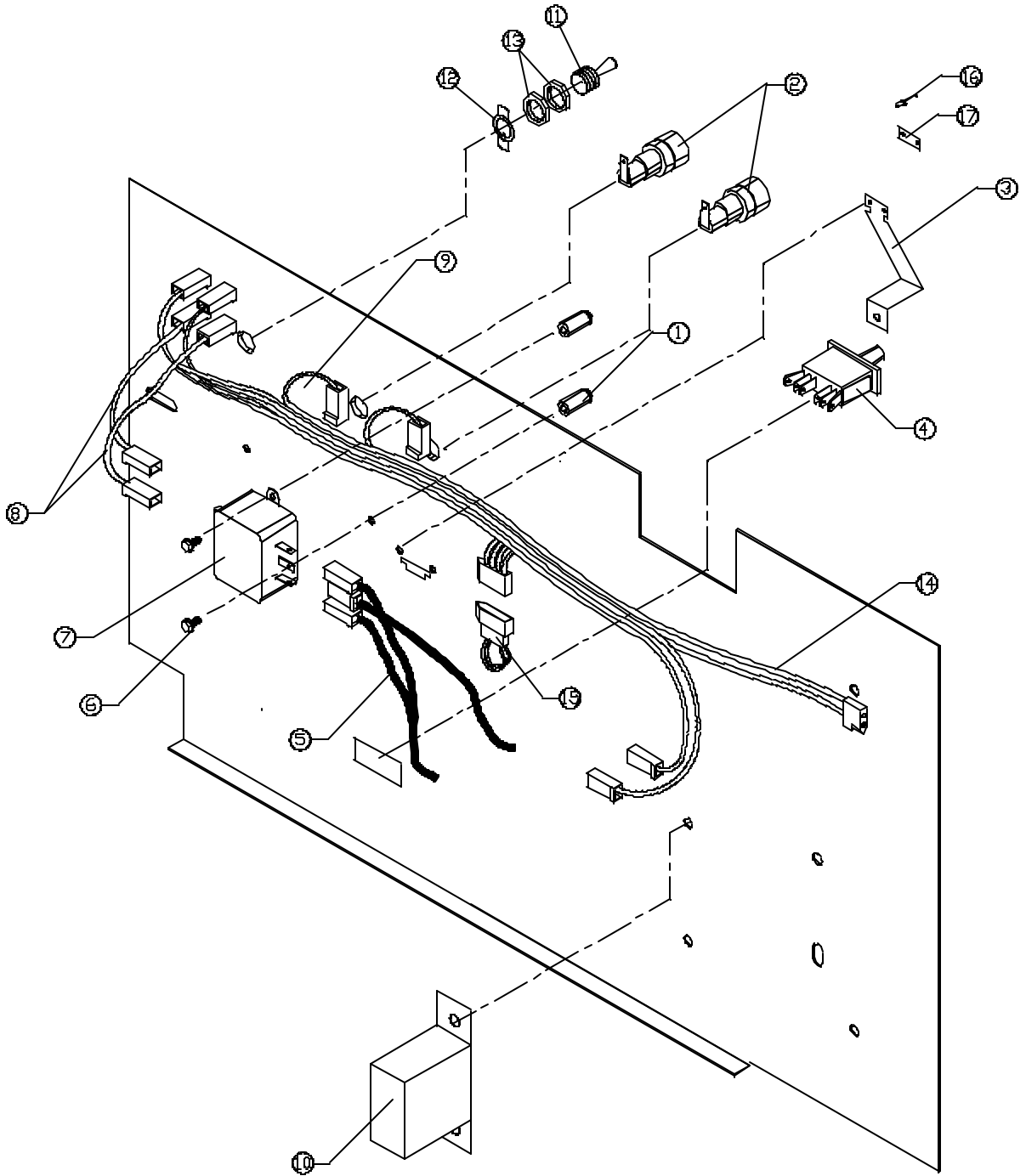
ITEM NO.	DESCRIPTION	REQ.	PART NO.
38	PLATE - DISPLAY COVER	1	1002597
39	COIN CHUTE ASSEMBLY	1	1087961
40	COIN CHUTE	1	1002333
41	COVER CHUTE	1	1002341
42	BUTTON SELECTION	9	1016741
43	BUTTON HOUSING	9	1016768
44	SPRING SELECTION	9	1029959
45	CROWN PULLER PLUG	1	1044737
46	COIN RETURN CUP	1	1079546
47	WINDOW PANEL	1	1120827
48	SWITCH SELECTION	9	368299
49	PLUG - SOLD OUT	9	1001124
50	CARRIER STRIP	1	1017845
51	DRAIN TUBING	1	1110619
52	TRAY WATER COLLECTION	1	1110562
53	NUT/LOCK WASHER ASSY. #8-32	AR	V800956
54	PANEL CAP - TOP	1	388139
55	PANEL CAP - BOTTOM	1	388140
56	DBV COLLAR	1	2001201

Vendo



"UNIVENDOR - 2" COCA COLA ELECTRONIC CONTROL

ITEM NO.	DESCRIPTION	REQ.	PART NO.
1	ELECTRONIC CONTROL ASSEMBLY	1	1069198
2	PCB STANDOFF	AR	1121740
3	PCB ELECTRONIC CONTROL	1	1086198-10
4	COVER - PCB ELECTRONIC CONTROL	1	1112635
5	BRACKET - DOOR SWITCH	1	1066457
6	RIVET	2	V801412
7	DOOR SWITCH	1	323007
8	CLAMP - PUSH MOUNT	AR	384692-2
9	MOUNTING BRACKET	1	1112651
10	SCREW - 10-16 x 1/2 CR HEX SELF DRILL	AR	V801489
11	PLATE	1	369498
12	HARNESS - DOOR	1	1012304
13	HARNESS - DOOR SWITCH	1	1067503
14	HARNESS - POWER TRANSFORMER	1	1067074
15	HARNESS - DISPLAY	1	1001043
16	HARNESS - POWER	1	1044095
17	HARNESS - MDB	1	1070945
18	HARNESS - DEX/UCS (NOT SHOWN)	1	1013203



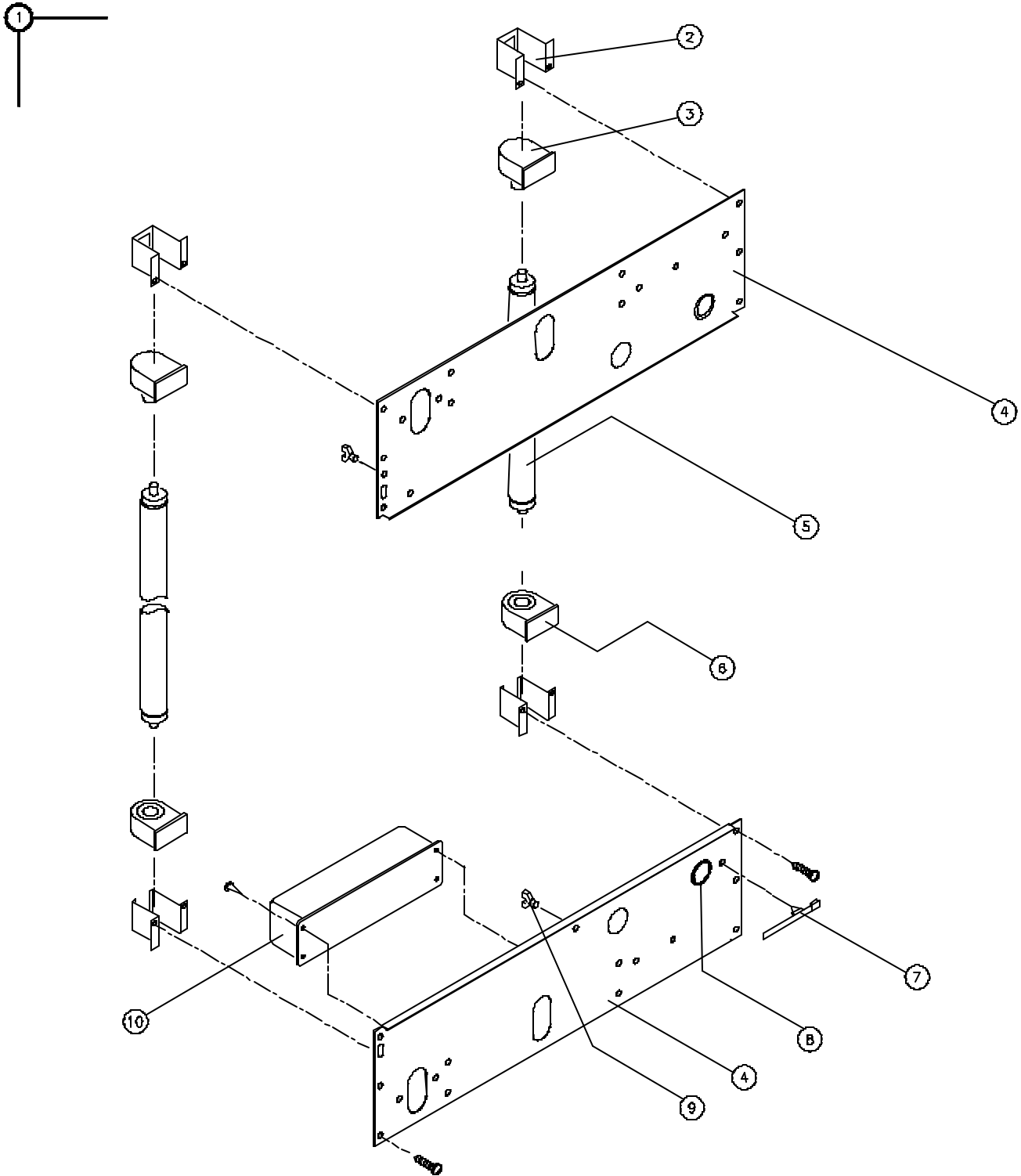
Vendo



AIR DAM ASSEMBLY

ITEM NO.	DESCRIPTION	QTY.	PART NO.
~	AIR DAM ASSEMBLY - DOM.	1	1069899
~	AIR DAM ASSEMBLY - INT'L.	1	1069899-1
1	C.E. CAPS	2	1058198
2	FUSE HOUSING	1	387966
~	FUSE 5 AMP	1	387967
~	FUSE 0.8 AMP	1	1053864
3	DOOR SWITCH BRACKET (INT'L ONLY)	1	1069732
4	DOOR SWITCH	1	388807
5	HARNESS - DOOR POWER/FILTER	1	1068902
6	SELF TAPPING SCREW	2	V801489
7	LINE FILTER	1	1018302
8	HARNESS - FILTER POWER	1	1069546
9	AIR DAM - LEFT	1	1069325-1
10	TRANSFORMER	1	1017861
11	POWER SWITCH	1	348683
12	PLATE	1	369498
13	LOCK WASHER	2	387947
14	HARNESS - POWER TRANSFORMER VEC	1	1115716
15	JUMPER	1	1069511
16	RIVET	2	V801412
17	RETAINER	1	1069856

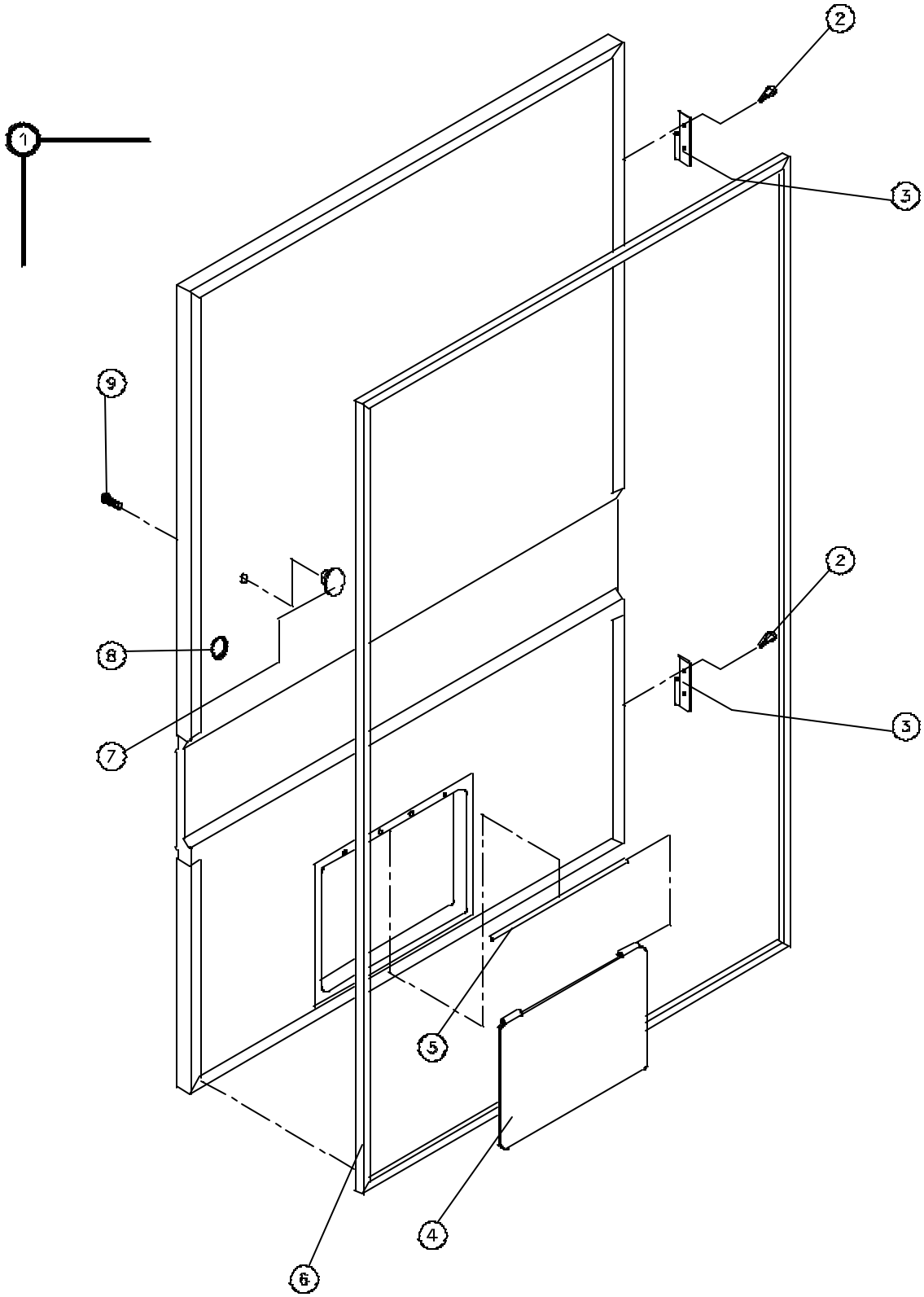
Vendo





"UNIVENDOR - 2" COCA COLA LIGHT ASSEMBLY

ITEM NO.	MODEL NUMBER		511	601
	DESCRIPTION	REQ.	PART NO.	PART NO.
1	LIGHT ASSEMBLY	1	134308-8	134308-16
2	BRACKET - LAMPHOLDER (CURVE)	4	1122305	1122305
3	LAMPHOLDER - PLUNGER	2	388407	388407
4	SHEAR PANEL - TOP	1	388117	388117
~	SHEAR PANEL - BOTTOM	1	388117	388117
5	FLUORESCENT LAMP	2	388408-1	388408
6	LAMPHOLDER - FIXED	2	388406	388406
7	TIE STRAP	AR	1088864	1088864
8	GROMMET	1	327021	327021
9	CLAMP	4	384692-2	384692-2
10	BALLAST	1	388405	388405





"UNIVENDOR - 2" COCA COLA INNER DOOR ASSEMBLY

ITEM NO.	DESCRIPTION	MODEL NUMBER	511	601
NO.	DESCRIPTION	REQ.	PART NO.	PART NO.
1	INNER DOOR ASSEMBLY (FINAL)	1	134302-33	134302-34
2	10-16 x 1/2 HEX SCREW	10	V801489	V801489
3	HINGE - FEMALE	2	1121286	1121286
4	FLAP - DOOR (REVERSIBLE)	1	1013076	1013076
5	PIN - HINGE	1	389985	389985
6	GASKET - INNER DOOR	1	389622-3	389622-4
7	KNOB - INNER DOOR	1	388305	388305
8	GROMMET	2	388090	388090
9	1/4 - 20 CARRIAGE BOLT	1	V329258	V329258