

Coca-Cola 2005

Royal Vendors is dedicated to providing
the highest level of customer service in the industry.



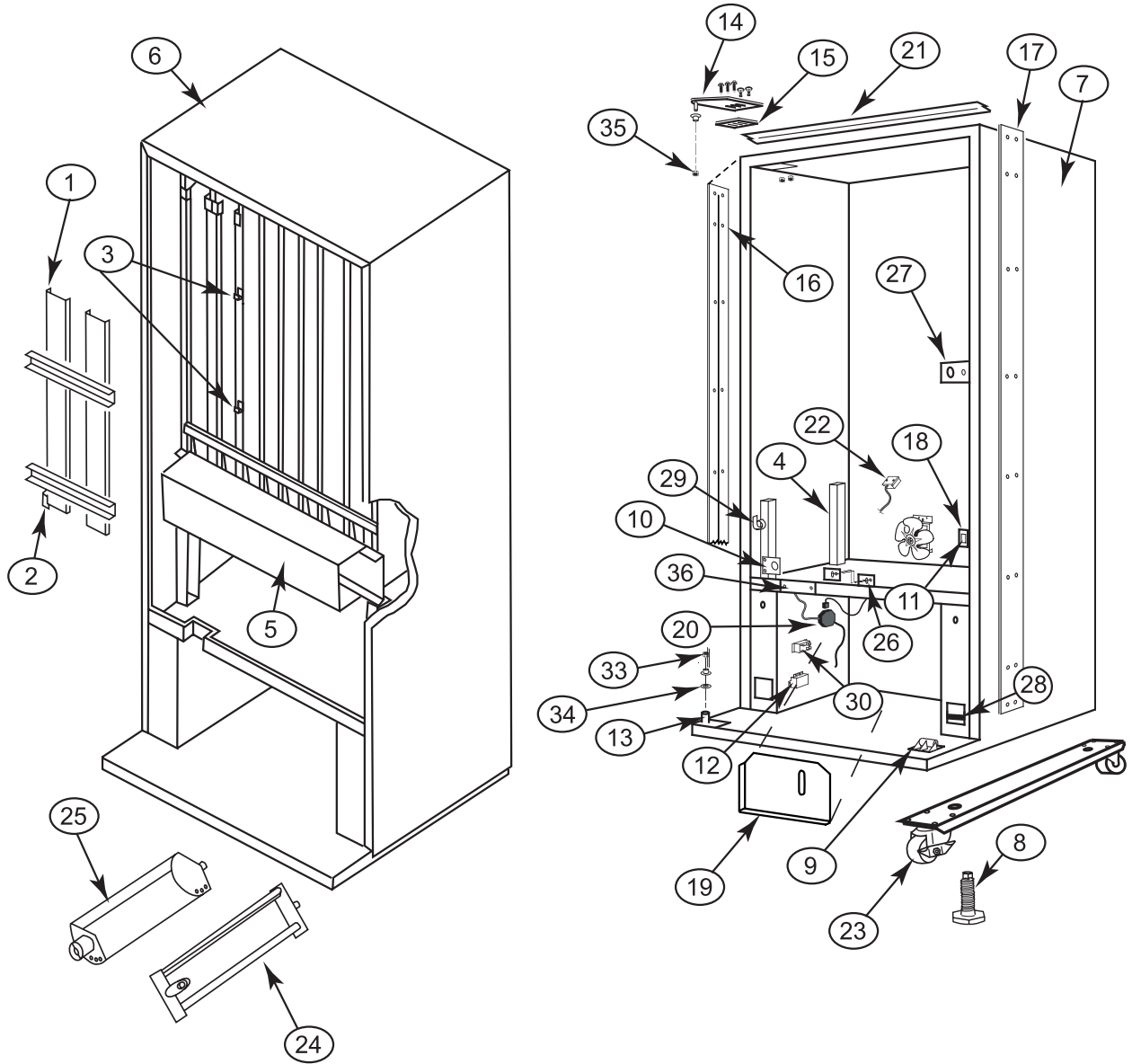
ROYAL VENDORS, INC
426 Industrial Boulevard
Kearneysville WV 25430

Customer Service:
1 . 8 0 0 . 9 3 1 . 9 2 1 4
3 0 4 . 7 2 8 . 7 0 5 6

TABLE OF CONTENTS

Cabinets	2
Rear View of Vender	5
Stack	6
20 Plus Stack	8
Vend Mechanism Assembly	10
Vend Motor & Idler Bracket Assembly	12
Evaporator Fan & Delivery Chute	14
Refrigeration	16
Doors	18
Vandal Resistant Door	20
Tuff Guy / Steel Door CDC	23
Select Panel Assembly	24
Changer Vault	27
Door Accessories	30
Inner Door	32
Port	34
Outside of the Marketing Door	36
Inside of the Marketing Door	38
Door Trim	40
Shims	45
Harnesses	46
Accessories	48
Screws, Bolts, Washers, Etc.	49
Conversion Kits	50
Manuals	50
Locks & Keys	51
Control Boards / Chips	51
Lamps & Accessories	52
Labels & Decals	52
Stack Accessories	53
Electronic Accessories	54
Trim	54
Door Accessories	55

CABINETS



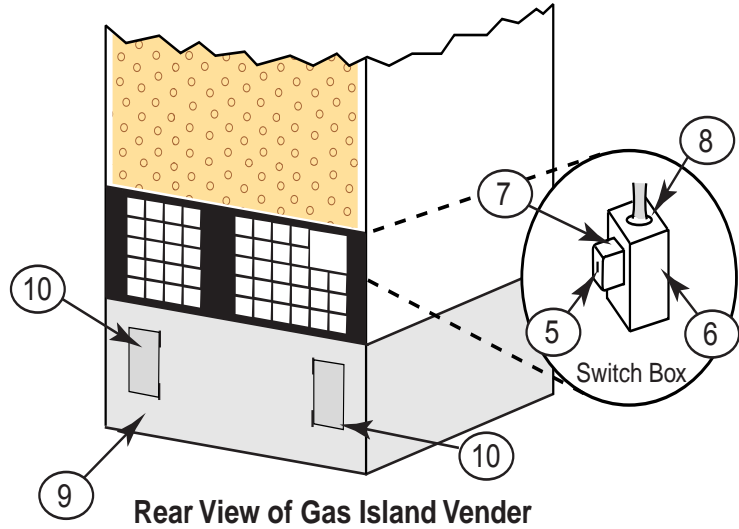
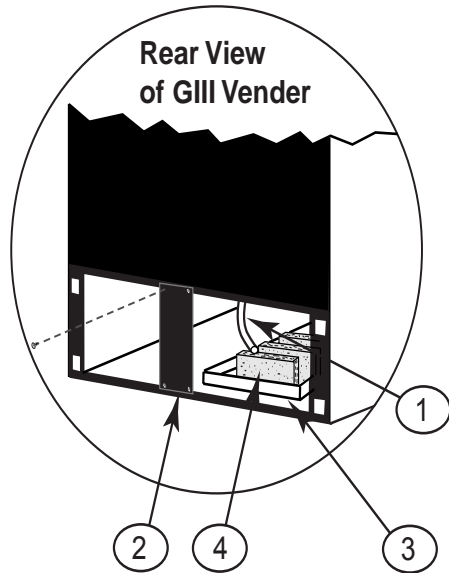
CABINETS

Item#	Part Name	Part Description	Code / Voltage	Royal Part #	Coke Part #	
1	79" GATE W/A	6W/1N REGULAR		027710	541437	
	79" GATE W/A	4W/4N REGULAR		010760	509180	
	79" GATE W/A	4W/4N MERLIN		010910		
	79" GATE W/A (SMALL)	1W/9N MERLIN		015910	513578	
	GATE W/A (SMALL)	3W / 3N MERLIN 72"		036910	519039	
	79" GATE W/A (LARGE)	1W/9N MERLIN		015920	514667	
	79" GATE W/A	1W/9N REGULAR		015720	503521	
	79" GATE W/A 3-DEEP	6W/1N REGULAR		062710		
	72" GATE W/A	4W/4N WIDE REGULAR		011710	510565	
	72" GATE W/A	4W/4N WIDE MERLIN		011910		
	72" GATE W/A	1W/9N WIDE REGULAR		016720	504714	
	72" GATE W/A (SMALL)	1W/9N WIDE REGULAR		016710		
	72" GATE W/A (SMALL)	1W/9N WIDE MERLIN		016910	520807	
	72" GATE W/A (LARGE)	1W/9N WIDE MERLIN		016920	520116	
	72" GATE W/A 3-DEEP	4W/4N WIDE MERLIN		059910	520114	
		MECH. GATE W/A	SMALL 9/10 SEL MERLIN 72" 3 DEEP		091910	
	2	HEM CHANNEL CAP	ALL EXCEPT GII		815024	
3	LATCH	GATE		010725		
4	MECH SUPPORT	2 DEEP		010005		
5	VEND MOTOR COVER	WIDE & 3-DEEP		010029	504540	
	VEND MOTOR COVER	NARROW		036003	519038	
6	CABINET SHELL (FOAMED)	72" WIDE 2-DEEP (IDENTIFY COLOR)		011220		
7	CABINET SHELL (FOAMED)	79" GIII (IDENTIFY COLOR)		211001		
	CABINET SHELL (FOAMED)	72" WV MERLIN 4		257220		
	CABINET SHELL (FOAMED)	79" WV MERLIN 4		256250		
	CABINET ASSY 72" WIDE	MARKETING		291020		
	CABINET ASSY 79" WIDE	CCR		290020	515212	
	CABINET ASSY 79" WIDE	20 PLUS		296010		
	CABINET BACK SCREEN			010215		
8	LEVELING LEG	#5/8-11		803002	542192	
9	DOOR ROLLER KIT	ALL VENDORS		141180	510038	
10	THERMOSTAT BRACKET W/A	ALL NON-ELECTRONIC REFRIGERATION		010020		
11	SWITCH, BULL-NOSE PLUNGER	DOOR SWITCH (PRIOR TO RUN 1521)		835003	508810	
12	EMI LINE FILTER	RUN 1290 AND AFTER GII		842061	505502	
13	BOTTOM HINGE ASSY.	MAIN DOOR		010040	514984	
	MAIN DOOR BOTTOM HINGE	MARKETING		290010	515213	
14	TOP HINGE	LEFT OF MAIN DOOR		810002	503560	
15	TOP HINGE SPACER	DOOR		010016	5200027	
	TOP HINGE WASHER	2 PER ALL VENDING MACHINES		141589		
16	LEFT VANDAL PANEL	79" (SPEC. COLOR)RUN 1302 & BEFORE		010022	544259	
	LEFT VANDAL PANEL	72" (SPEC. COLOR)RUN 1302 & BEFORE		011001	544249	
	LEFT VANDAL PANEL	72" (SPEC. COLOR)RUN 1302 & AFTER		142001	513107	
	LEFT VANDAL PANEL	79" (SPEC. COLOR)RUN 1303 & AFTER		141002	519578	
	LEFT VANDAL PANEL 72"	MARKETING / RED		291003	515224	
	LEFT VANDAL PANEL 79"	MARKETING / RED		290003	515223	
	VANDAL PANEL 79"	20 PLUS (QUICK DISCONNECT DOOR)		296006		

CABINETS

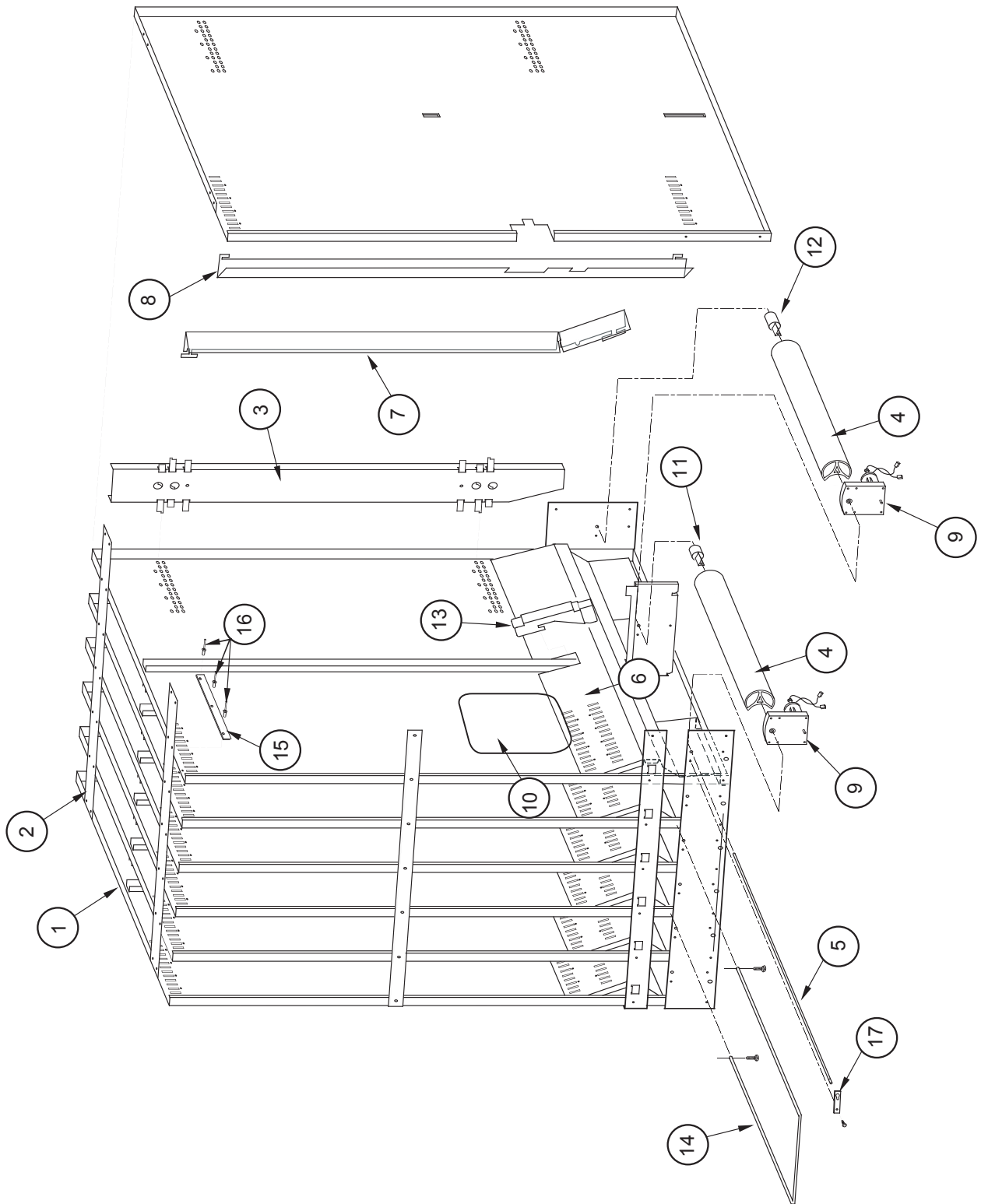
Item#	Part Name	Part Description	Code / Voltage	Royal Part #	Coke Part #
17	RIGHT CABINET VANDAL PANEL	79 1/2" (IDENTIFY COLOR)		012122	544243
	RIGHT CABINET VANDAL PANEL	79" (IDENTIFY COLOR)		010519	542189
	RIGHT CABINET VANDAL PANEL	57 1/2" (IDENTIFY COLOR)		038505	544236
	RIGHT CABINET VANDAL PANEL	72" (IDENTIFY COLOR)		011501	544244
	RIGHT CABINET VANDAL PANEL	72" (IDENTIFY COLOR)		011002	506206
	RIGHT CABINET VANDAL PANEL	57 1/2" (IDENTIFY COLOR)		038002	509492
	RIGHT CABINET VANDAL PANEL 72"	MARKETING / RED		291004	515214
	RIGHT CABINET VANDAL PANEL 79"	MARKETING / RED		290004	515215
18	DOOR SWITCH BRACKET	DOOR SWITCH BRACKET		010045	510536
19	CONDENSOR BAFFLE			010403	517571
20	MAIN WIRING HARNESS	ALL MERLIN / GIII / POWER CORD		842063	501755
	MAIN WIRING HARNESS	G II		842090	510844
	MAIN WIRING HARNESS	GIII / MIV	UK / IR	842166	
	MAIN WIRING HARNESS	GIII IEC	IS / NE / SW	842163	
	MAIN WIRING HARNESS	GII / MERLIN	FR / SP / BE / GE	842120	
	MAIN WIRING HARNESS	GIII	AU / NZ / AA	842164	
	MAIN WIRING HARNESS	GII / MERLIN	AU / NZ / AA	842133	
	MAIN WIRING HARNESS	GIII	CI / IT	842162	
	MAIN WIRING HARNESS	GII / MERLIN	CI / IT	842161	
	MAIN WIRING HARNESS	GIII / MIV	SF / II	842206	
21	RAIN GUARD	WIDE MARKETING		290592	515222
22	REFRIGERATION SENSOR	TEMPERATURE SENSOR HARNESS		822030	505201
	TEMPERATURE SENSOR MARKETING			822041	
23	CASTER KITS	UNIVERSAL ALL VENDORS		201185	
24	OSCILLATOR	2-DEEP/WIDE COLUMN		809003	541430
	OSCILLATOR	3-DEEP		809008	500795
	OSCILLATOR	3 DEEP+		809025	510569
25	ROTOR	2-DEEP/NARROW COLUMN		809002	542191
	ROTOR	3-DEEP		809007	500815
	ROTOR	3 DEEP+		809027	512771
	ROTOR	16 OZ 3 DEEP		809022	509905
	ROTOR	16 OZ 3 DEEP+		809026	516996
26	CAN CHUTE TIE BRACKET			010017	510574
27	LATCH STRIKE	ALL MODELS EXCEPT GIII+		010030	513693
	LATCH STRIKE	GIII+ (1530 AND AFTER)		281010	
	NUT RETAINER	FOR LATCH STRIKE ASSEMBLY		010028	545271
	SQUARE NUT	1/2-13/T-HANDLE LATCH ASSY.		905005	506117
28	DOOR LIFT BRACKET	20 PLUS		296219	
29	CABLE CLAMP			916004	510573
30	RELAY			836065	501885
31	BUSHING NYLINER			916012	542147
32	CARRIAGE BOLTS	1/4X20		901008	510561
33	KEPS NUT	1/4X20		905002	508373
34	FLAT WASHER			904002	
35	KEPS NUT	3/8X16		905007	
36	WIRING COVER PLATE			010002	508045

REAR VIEW OF VENDER



Item#	Part Name	Part Description	Royal Part #	Coke Part #
1	DRAIN HOSE	USE ALONG WITH DRAIN TUBE	925048	
	DRAIN TUBE ASSEMBLY	ALL VENDORS	141120	505545
2	REAR BAFFLE	WIDE VENDORS	010188	504170
	BACK SCREEN	WIDE	141001	
	BACK SCREEN	INTERNATIONAL IEC VENDORS	010215	
3	CONDENSATE PAN	ALL VENDORS	815368	541428
	LARGE DRAIN PAN	FOR A LARGER CONDENSATION PAN	011139	505204
4	CELLULOSE SPONGE	FOR DRAIN PAN	815037	504722
5	TOGGLE SWITCH	20A 120-277 VAC W/ 2MTNG SCREWS 1 HP	835016	
6	HANDY BOX	1 7/8" W/ 3/4" K.O. STEEL CITY	842198	
7	TOGGLE SWITCH COVER	COVER FOR HANDY BOX W/ 2 MTNG SCREWS	842199	
8	3/4" CABLE CONNECTOR	FOR HANDY BOX W/2SCREWS REGAL	842200	
9	STAND W/A	16"-GAS	285010	
10	ACCESS DOOR	16" GAS	285001	519286
	KEY PAD COVER PLATE	GAS	285503	

STACK



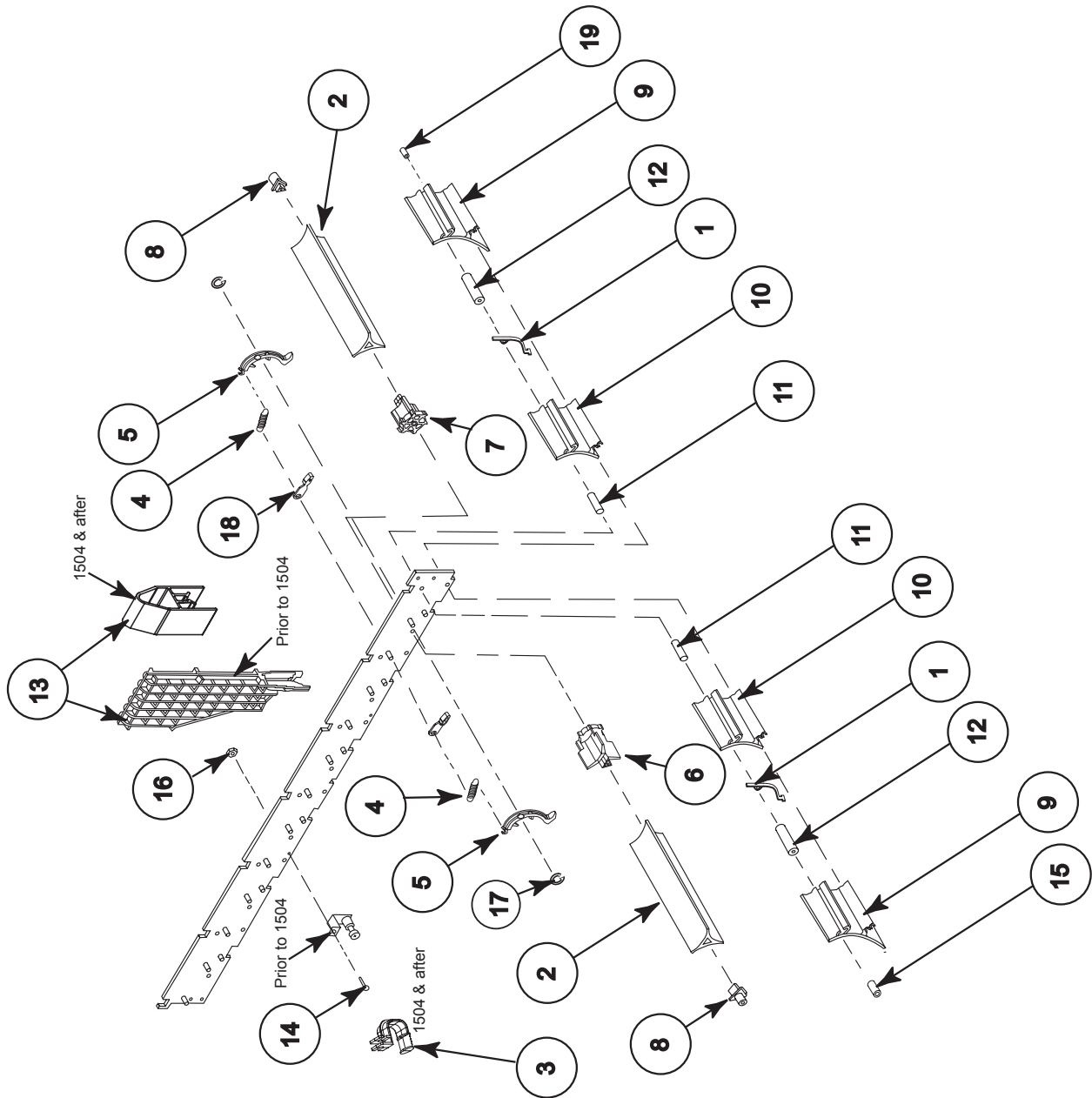
STACK

Item#	Part Name	Part Description	Royal Part #	Coke Part #
1	STACK ASSEMBLY	GIII 804-9 (79 1/2)	210738	
	STACK ASSEMBLY	GII 660-9 (72)	211711	520846
	VEND RACK ASSY, WIDE 72"	MARKETING	291710	515207
	VEND RACK ASSY, WIDE 79"	GIII 804-9 (79 1/2) CCR	290710	515208
	VEND RACK ASSY 72" NARROW	GII 660-9 (72)CCR	293720	515209
2	REAR CAN RETAINER	MIV	810054	
	BACK SPACER	72" MERLIN 4	257704	
	BACK SPACER	79" MERLIN 4	256713	
	BACK SPACER ASSY	NARROW 79"	010750	501810
	BACK SPACER ASSY	WIDE 79"	010740	501809
	BACK SPACER ASSY	NARROW 79" 3 DEEP	058750	508597
	BACK SPACER ASSY	NARROW 72" 2 DEEP	011730	513592
	BACK SPACER ASSY	WIDE 72" 2 DEEP	011720	510563
	BACK SPACER ASSY	NARROW 72" 3 DEEP	059750	514666
	BACK SPACER ASSY	WIDE 72" 3 DEEP	059730	521573
	BACK SPACER ASSY	79.5" WIDE 16 OZ 3 DEEP (600, 609,630)	201730	513838
	BACK SPACER ASSY	79.5" NARROW 16 OZ 3 DEEP (609)	201710	507918
	REAR RETAINER ASSY	79" GIII BEFORE 1504	210749	522225
	REAR RETAINER ASSY	72" GIII BEFORE 1504	211714	510507
	3	FRONT LEFT RETAINER	GIII/GIII+ 79	210745
FRONT LEFT RETAINER		GIII/GIII+ 72	211712	509315
4	FRONT RIGHT RETAINER	GIII / GIII+ 79	210746	509126
	FRONT RIGHT RETAINER	GIII/ GIII+ 72	211713	510842
5	CHAIN ASSY	GIII/GIII+ NARROW	283710	518575
	CHAIN ASSY	GIII/GIII+ WIDE	210730	509270
	CHAIN ASSEMBLY	G II	095740	501172
6	SPRING FINGER, RETAINER	G-III/G-III+	815251	514313
	DOUBLE FINGER	USED ON WIDE BACK SPACER	010704	509678
	SINGLE FINGER	16 OZ 3 DEEP	201707	509890
	SINGLE FINGER	USED ON NARROW BACK SPACER	010705	
7	SHAFT, PIVOT & PRODUCT STOP	PIVOT/ADJUSTABLE PRODUCT STOP ROD GIII	803032	509812
9	CHAIN GUARD KIT	GIII	210180	513488
	CHAIN GUARD KIT	GIII+ NARROW VENDORS	286110	
	CHAIN GUARD KIT	GIII+ WIDE VENDORS	281110	520041

20+ STACK

Item#	Part Name	Part Description	Royal Part #	Coke Part #
1	STACK ASSY . 79"	20 PLUS	296710	
2	REAR RETAINER, LEFT	20 PLUS	296712	
3	CAN STOP	20 PLUS	296715	
4	LEFT DIVIDER	20 PLUS	296708	
5	ANTI-FRICTION SHEET	20 PLUS	915197	512776
6	REAR ROTOR	20 PLUS	813025	518559
7	REAR VEND MOTOR	20 PLUS HIGH TORQUE	839032	518560
8	FRONT ROTOR	20 PLUS	813024	518561
9	FRONT VEND MOTOR	20 PLUS LOW TORQUE	839031	518562
10	HARNES SHROUD	20 PLUS	296724	
11	CASE SUPPORT	20 PLUS	811040	532439
12	BAFFLE	20 PLUS	296707	
	ROTOR ROD	20 PLUS	803048	
	INSERT DIVIDER	20 PLUS	296717	
	CASE SUPPORT SPRING	20 PLUS	914028	
	STIFFENER PARTITION	20 PLUS	296722	
	CASE SUPPORT BRACKET	20 PLUS	296723	
	FRONT LEFT RETAINER	20 PLUS	210745	509127
	FRONT RIGHT RETAINER	20 PLUS	210746	509126
	RIGHT DIVIDER	20 PLUS	296709	
	REAR RIGHT RETAINER	20 PLUS	296713	
	REAR ROTOR BEARING	20 PLUS	915222	1065635

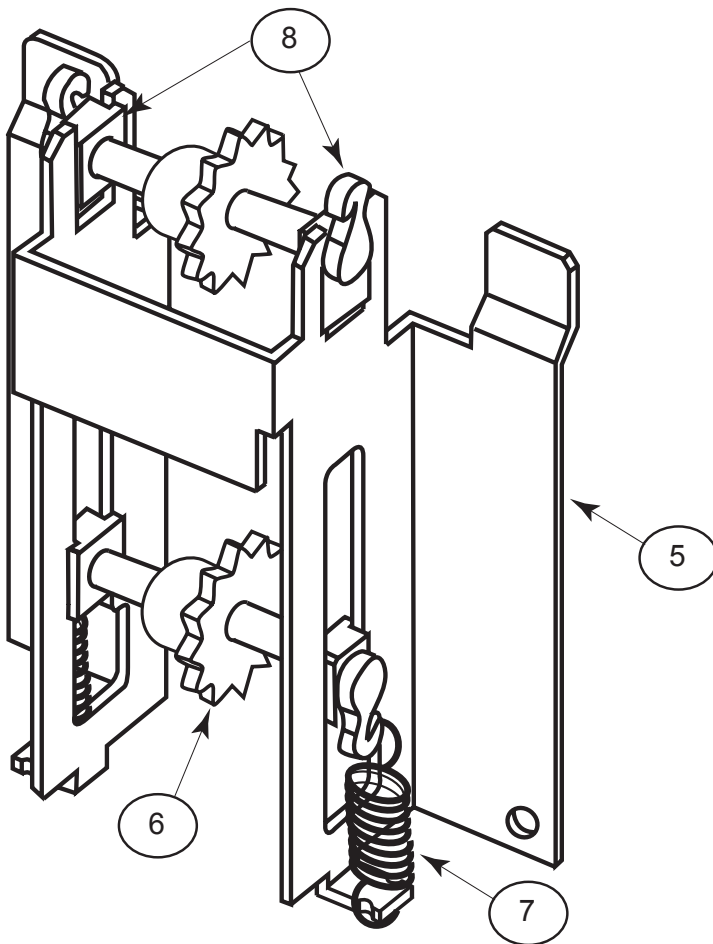
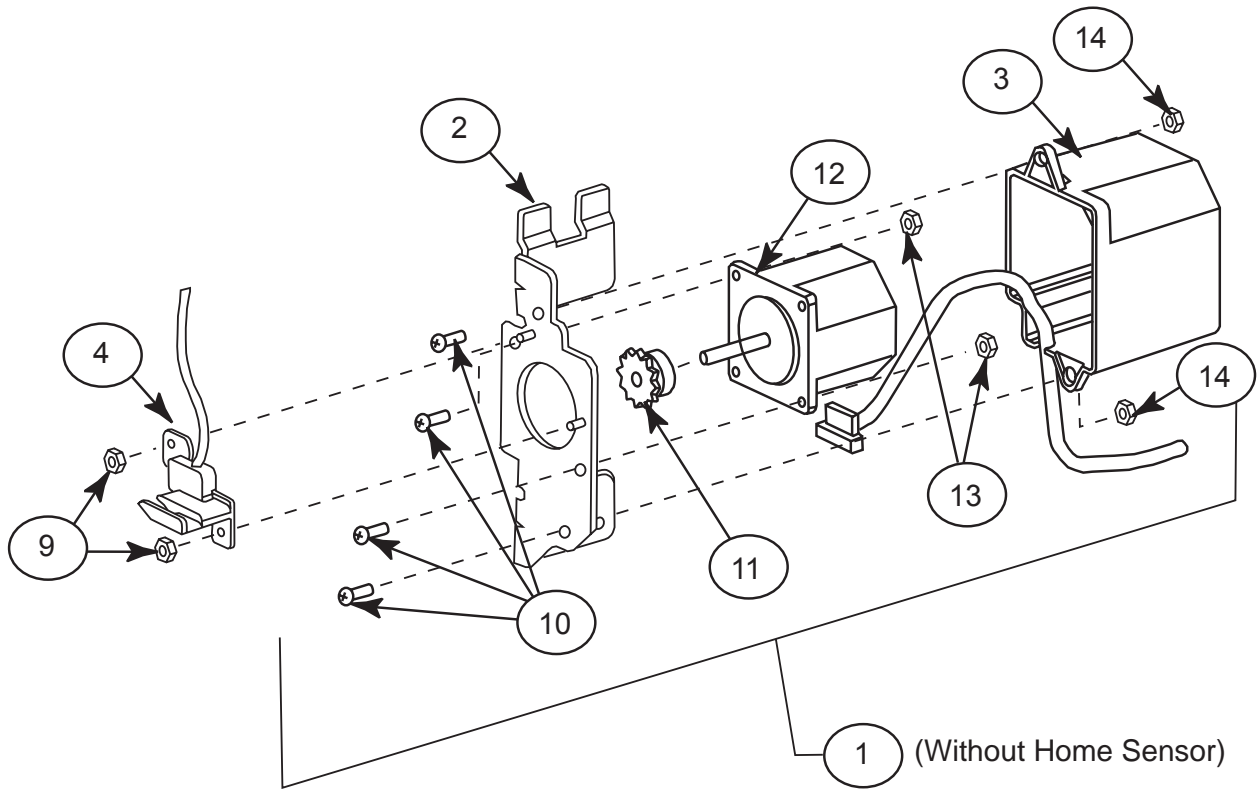
VEND MECHANISM ASSEMBLY



VEND MECHANISM ASSEMBLY

Item#	Part Name	Part Description	Royal Part #	Coke Part #
1	ANTI-TILT SPRING	GIII	915186	530186
2	PIVOT	GIII	813010	511498
	FRONT PIVOT ASSY	1379 & AFTER GIII	210750	509780
	REAR PIVOT ASSY	1379 & AFTER GIII	210760	509781
	FRONT PIVOT ASSY	PRIOR TO 1379	147730	507736
	REAR PIVOT ASSY	PRIOR TO 1379	147740	541435
3	STABILIZER ASSY	GIII (1504 & AFTER)	915266	517091
	STABILIZER ASSY	GIII (PRIOR TO PO # 1504)	210744	530884
	STABILIZER ASSY	G II / CHAIN GUIDES	095799	
4	RELEASE LEVER SPRING	G II / GIII	914008	501245
5	RELEASE LEVER	G II / GIII	915125	501176
6	PIVOT END	DOUBLE FRONT GIII	915207	513543
7	PIVOT END	DOUBLE REAR GIII	915208	513859
	PIVOT END	DOUBLE REAR /PRIOR TO 1379 / GIII	915157	508796
8	PIVOT BEARING	GIII	915206	513860
9	PRODUCT STOP	ADJUSTABLE, LONG GIII	813016	511576
10	FRONT PRODUCT STOP	20 PLUS	296725	518563
11	SPACER, PRODUCT STOP 1.25"	GIII	915182	508808
12	SPACER, PRODUCT STOP 1.85"	GIII	915250	510436
13	INSERT DIVIDER	(PRIOR TO 1504) GIII	815242	520121
	INSERT DIVIDER	(1504 AND AFTER) GIII	815252	518426
14	STABILIZER SCREW	(PRIOR TO 1504) GIII	901023	514969
	STABILIZER SCREW	(1504 AND AFTER) GIII	901041	
15	FRONT SPACER	1" GIII	915264	
16	STABILIZER LOCK NUT	(PRIOR TO 1504) GIII	905006	
	STABILIZER LOCK NUT	(1504 AND AFTER) GIII	905018	
17	RELEASE LEVER E-RING	GIII	906013	
18	ANTI ROTATION PAWL	GIII	915188	508601
19	PRODUCT STOP SPACER	.5" GIII	915181	518475
	CENTER SUPPORT ASSY	GIII	210704	

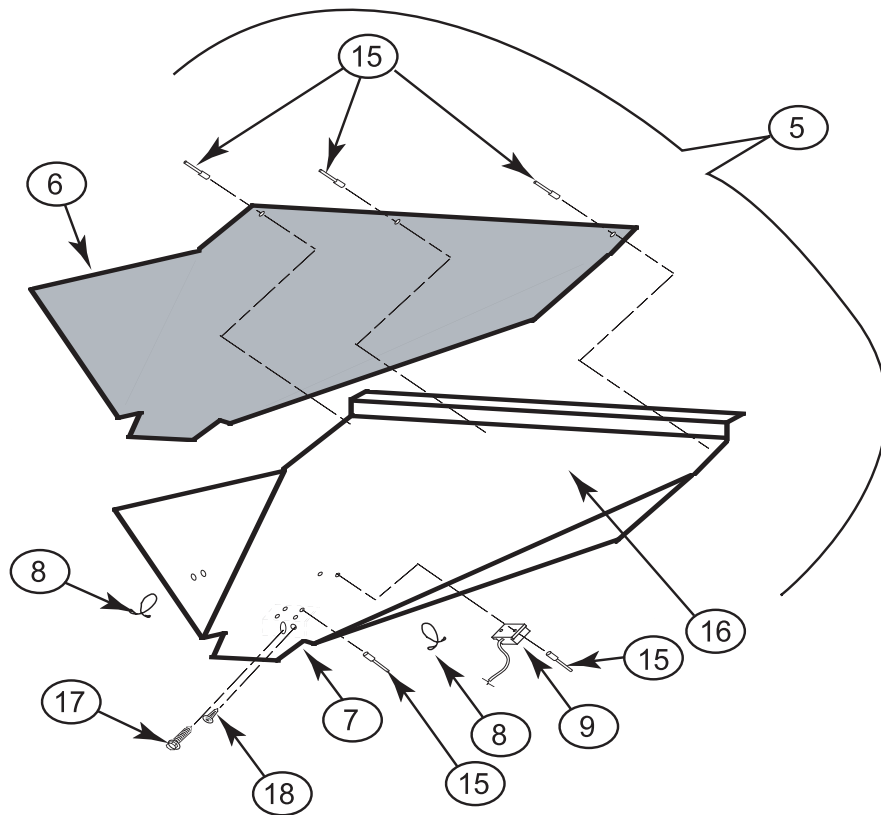
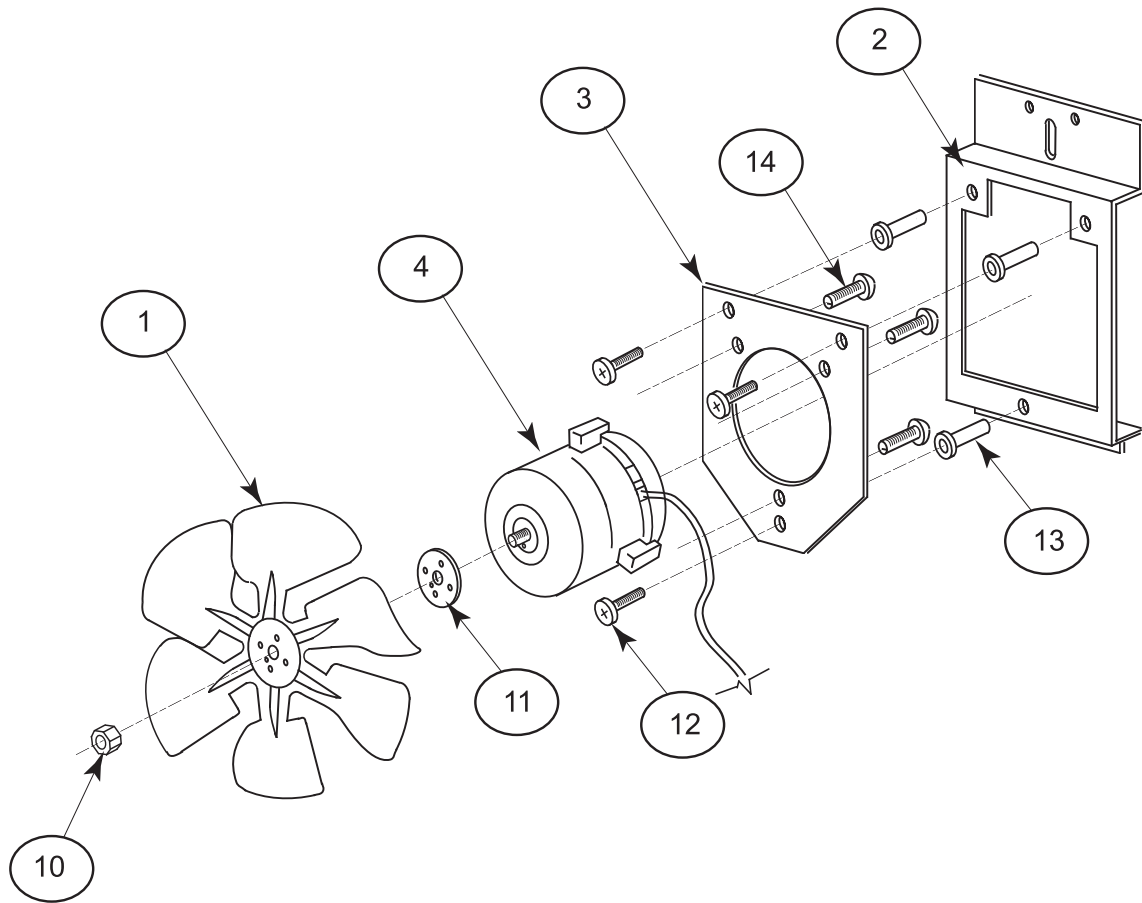
VEND MOTOR & IDLER BRACKET ASSEMBLY



VEND MOTOR & IDLER BRACKET ASSEMBLY

Item#	Part Name	Part Description	Royal Part #	Coke Part #
1	VEND MOTOR ASSY	FOR NEW PIVOTS RUN 1379 AND AFTER GIII	210727	508492
	VEND MOTOR ASSY (HEAVY DUTY)	2-DEEP /72" 3 DEEP NARROW REG	010720	544109
	VEND MOTOR ASSY	2-DEEP WIDE REG	010730	541440
	VEND MOTOR ASSY	2 DEEP "MERLIN" WIDE COLUMN	010780	508031
	VEND MOTOR ASSY	G II -- LESS HOME SENSOR	095794	541433
	VEND MOTOR ASSY	MERLIN 2/3 DEEP NARROW 110 / 50 HZ	010770	502995
	VEND MOTOR ASSY	MERLIN 2/3 DEEP WIDE 110 / 50 HZ	010781	
2	MOTOR MOUNTING BRACKET	GIII	210716	508269
3	MOTOR HOUSING	NEW STYLE GIII	815209	513370
	MOTOR COVER	GII	815080	
4	HOME SENSOR	ASSEMBLY (GII)	842052	500589
5	IDLER BRACKET	GIII+ NARROW VENDOR	281713	518716
	IDLER BRACKET	GIII	210703	513368
	IDLER BRACKET ASSY	GIII+ (INCLUDES CHAIN)	210757	517093
	IDLER BRACKET ASSY	GIII (INCLUDES CHAIN)	210726	509330
	IDLER BRACKET & STUD ASSY	GII	095750	503261
6	IDLER SHAFT SPROCKET ASSY	GIII (PRIOR TO 1504)	095770	505716
	IDLER SHAFT SPROCKET ASSY	GIII (1504 & AFTER)	281716	518423
	IDLER SPROCKET KIT	GII	095795	503260
7	IDLER SPRING	FOR IDLER ASSY GIII	914021	507788
8	BEARING IDLER SHAFT	FOR IDLER ASSY GII / GIII	915079	545273
9	HOME SENSOR LOCK NUT	GIII	905006	
10	MACHINE SCREW	10-24X.50	901024	
11	SPROCKET	GIII	916034	501752
12	MOTOR ENCODER	GIII (NOT AVAILABLE)	N/A	
13	NUT	10-24	905011	
14	LOCK NUT	10-24	905013	

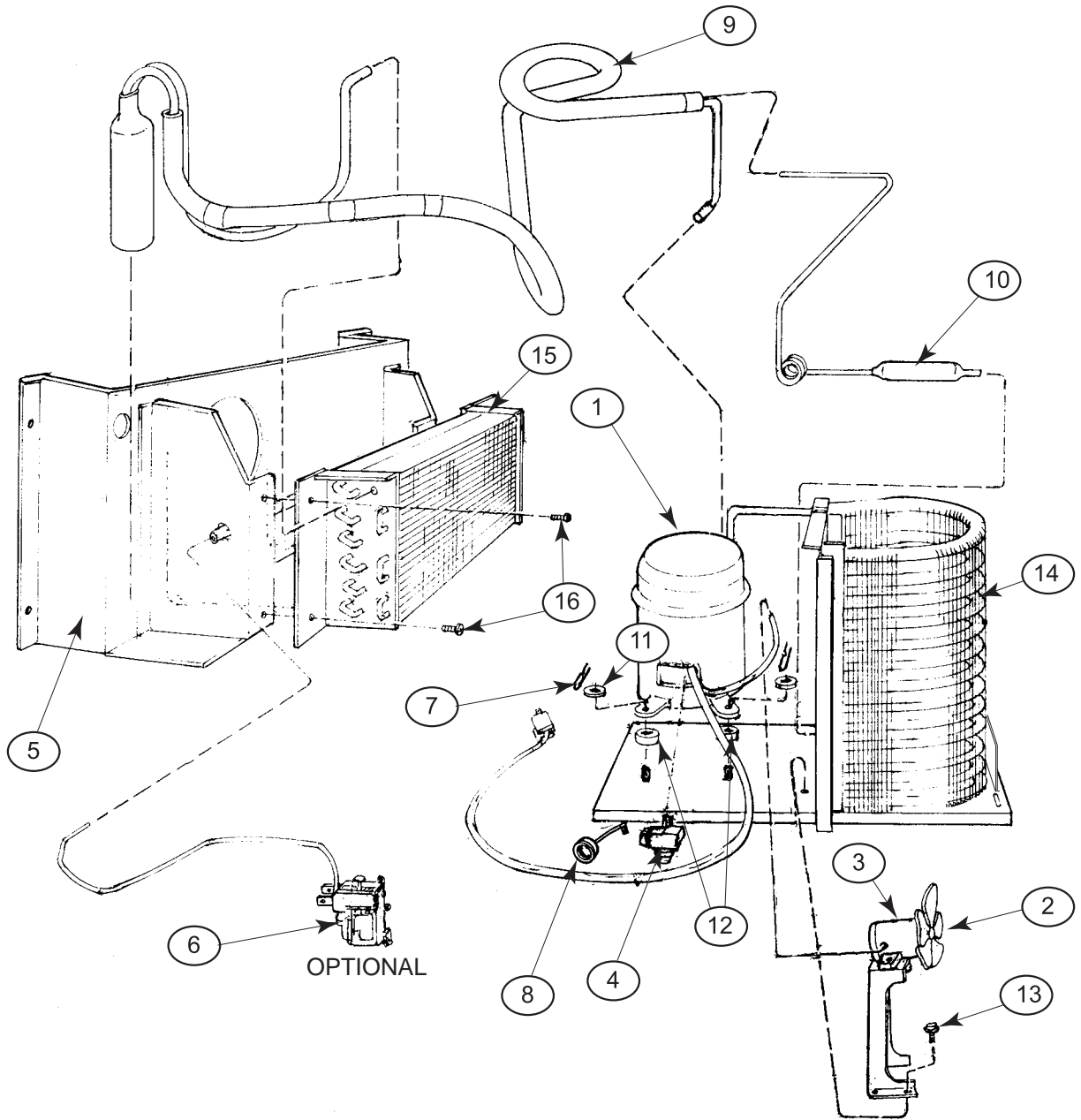
EVAPORATOR FAN & DELIVERY CHUTE



EVAPORATOR FAN & DELIVERY CHUTE

Item#	Part Name	Part Description	Code / Voltage	Royal Part #	Coke Part #
1-4	EVAPORATOR FAN ASSEMBLY	MOTOR AND BLADE/ALL EXCEPT GII / GIII		010050	510184
	EVAPORATOR FAN MOTOR ASSY	GII		095060	511041
	EVAPORATOR FAN MOTOR ASSY	GIII ECONO COOL		231060	
	EVAPORATOR FAN MOTOR ASSY	220V INTERNATIONAL	All 220-240V / 50HZ	210101	
	FAN BLADE	8" 6 BLADE GIII		810045	507758
1	FAN BLADE EVAP.	ALL EXCEPT GII / 7 3/4"		810004	544301
	FAN BLADE EVAP.	G II		810013	510434
	MOUNTING BRACKET	EVAPORATOR FAN PLATE GII		010057	508591
2	BRACKET FAN MOTOR	EVAPORATOR FAN BRACKET		010006	513356
	EVAPORATOR MOUNTING BRACKET	ASSY		010064	508361
	EVAPORATOR FAN PLATE	2/GII 1/ALL OTHERS		010058	507761
3	FAN MOTOR	35 WATT 115V W/30" LEAD GIII		839028	508370
4	FAN MOTOR EVAP.	ALL EXCEPT GII / 6 WATT		839001	504723
	FAN MOTOR EVAP.	9 WATT GII		839017	510435
	EVAPORATOR FAN MOTOR	220V INTERNATIONAL	All 220-240V / 50HZ	839027	
	CAN CHUTE ASSY	GIII LESS SENSOR		211090	514758
5	NARROW CAN CHUTE ASSEMBLY	2 DEEP MERLIN & REG LESS SENSOR		036010	
	WIDE CAN CHUTE ASSEMBLY	2 DEEP MERLIN & REG LESS SENSOR		010060	501751
	WIDE CAN CHUTE ASSEMBLY	3 DEEP MERLIN & REG LESS SENSOR		058020	515456
	CAN CHUTE ASSY	GII / GII VII LESS SENSOR		147010	545493
	CAN CHUTE LINER	WIDE		010021	
6	CAN CHUTE LINER ASSY	GIII		815261	510183
	DELIVERY CHUTE LINER WIDE	MARKETING		815299	515196
	DELIVERY CHUTE WIDE	MARKETING		290001	515197
	CHUTE LOCATOR BRACKET	GII		095002	
7	TENSION CLIP			916059	515198
8	CHUTE SENSOR	USE ON RUN 1300 AND AFTER		836004	501803
9	OPTIC SENSOR ASSY			822049	520191
	NUT	1/4-20		908004	510046
10	SILENCER EVAP MOTOR	GIII		939037	
11	MACHINE SCREW	8-32X1/2		901038	
12	WELL NUT	8-32		905026	510483
13	SEMS SCREW	8-32X3/8		901011	
14	1/8" RIVOTS			908004	510046
15	DELIVERY CHUTE	GIII		210002	510182
16	BOLT 1/4-20X1			901003	504724
17	SCREW	8-18X1/2		902004	544294
18	SMARTFAN ASSEMBLY	GIII WITH ECONO-COOL DOMESTIC	110 VOLT / 60 HZ	839036	
19		GIII WITH ECONO-COOL INTERNATIONAL	220 VOLT / 50 HZ	839040	
	SMARTFAN JUMPER HARNESS	GIII WITH ECONO-COOL		842371	

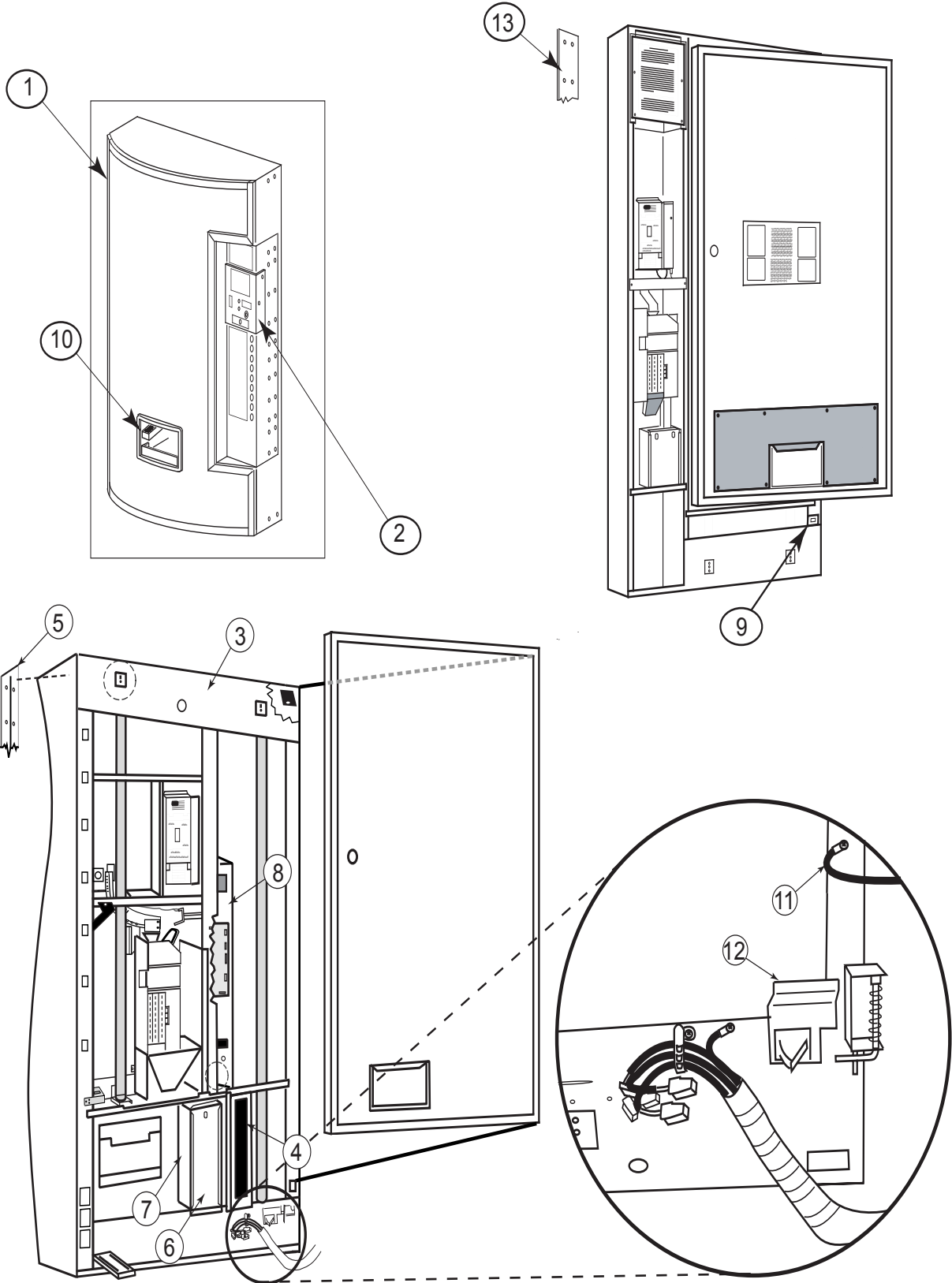
REFRIGERATION



REFRIGERATION

Item#	Part Name	Part Description	Code / Voltage	Royal Part #	Coke Part #
1	1/3+HP COMPRESSOR R 134A	20 PLUS		296410	518558
	1/3+HP COMPRESSOR R 134A	115V TEC.		819015	
	1/3+HP COMPRESSOR R 134A	CAP START HIGH TORQUE TECUMSEH		819023	
	1/3+HP COMPRESSOR R 134A	220V INTERNATIONAL	All 220-240V / 50HZ	819031	
	REFRIG. SYSTEM - CAP START	1/3		141420	508693
	REFRIG. SYSTEM - CAP START	1/3+ R-134A TEC & ECONO COOL		156430	507783
	REFRIG. SYSTEM - CAP START	1/3+ R-134A HIGH TORQUE TEC GII		147430	500945
	REFRIG. UNIT W/ SHOCK LOOP	GIII 220V INTERNATIONAL	All 220-240V / 50HZ	210402	
	REFRIG. SYSTEM	MIV 220V INTERNATIONAL	All 220-240V / 50HZ	256470	
	FAN BLADE COND.	8 3/4 DIA		810014	508319
2	CONDENSOR FAN MOTOR	9 WATT GII		839010	544922
3	CONDENSOR FAN MOTOR	9 WATT 220 V INTERNATIONAL	All 220-240V / 50HZ	839019	
	RELAY	24 VOLT		836065	501885
4	RELAY 1/3+	TECUMSEH		822042	508910
	RELAY 1/3+	TECUMSEH 220V INTERNATIONAL	All 220-240V / 50HZ	822040	
	EVAPORATOR FAN SHROUD	MARKETING		210088	513366
5		GIII WIDE VENDERS WITH SMARTFAN		231028	
		GIII NARROW VENDERS WITH SMARTFAN		283011	
	EVAPORATOR COVER	WIDE VENDORS (EXCEPT ECONO-COOL)		010013	510565
		NARROW VENDORS		095008	
		GIII WITH 35 WATT EVAP FAN MOTOR		210007	517531
		GIII WITH SMARTFAN		231029	
		20 PLUS		296004	
	EVAPORATOR BRACKET LEFT	GIII WITH SMARTFAN		231026	
	EVAPORATOR BRACKET RIGHT	GIII WITH SMARTFAN		231027	
	COLD CONTROL			822001	
6	COMPRESSOR CLIP	FOR COMP MTG		914002	510037
7	OVERLOAD 1/3+	TECUMSEH		822043	
8	OVERLOAD 1/3+	220V INTERNATIONAL	All 220-240V / 50HZ	822039	
	FOAM TAPE	1/4" THK X 1/2 WIDE		829001	
	INSULATING TUBING	3/8" ID X 3/4 OD X FT		826003	
	HEAT EXCHANGE	GIII		210425	
9	HEAT EXCHANGE	TDV		296425	
	DRYER	GIII		824011	
10	GROMMET PLUG	GIII		815017	
11	COMPRESSOR GROMMETS	GIII		916015	
12	SCREW	8-32X1/2"		901006	520642
13	CONDENSOR	GIII		820007	
14	EVAPORATER COIL	GIII		820002	541307
15	SCREW	8X1/2"		902004	544294

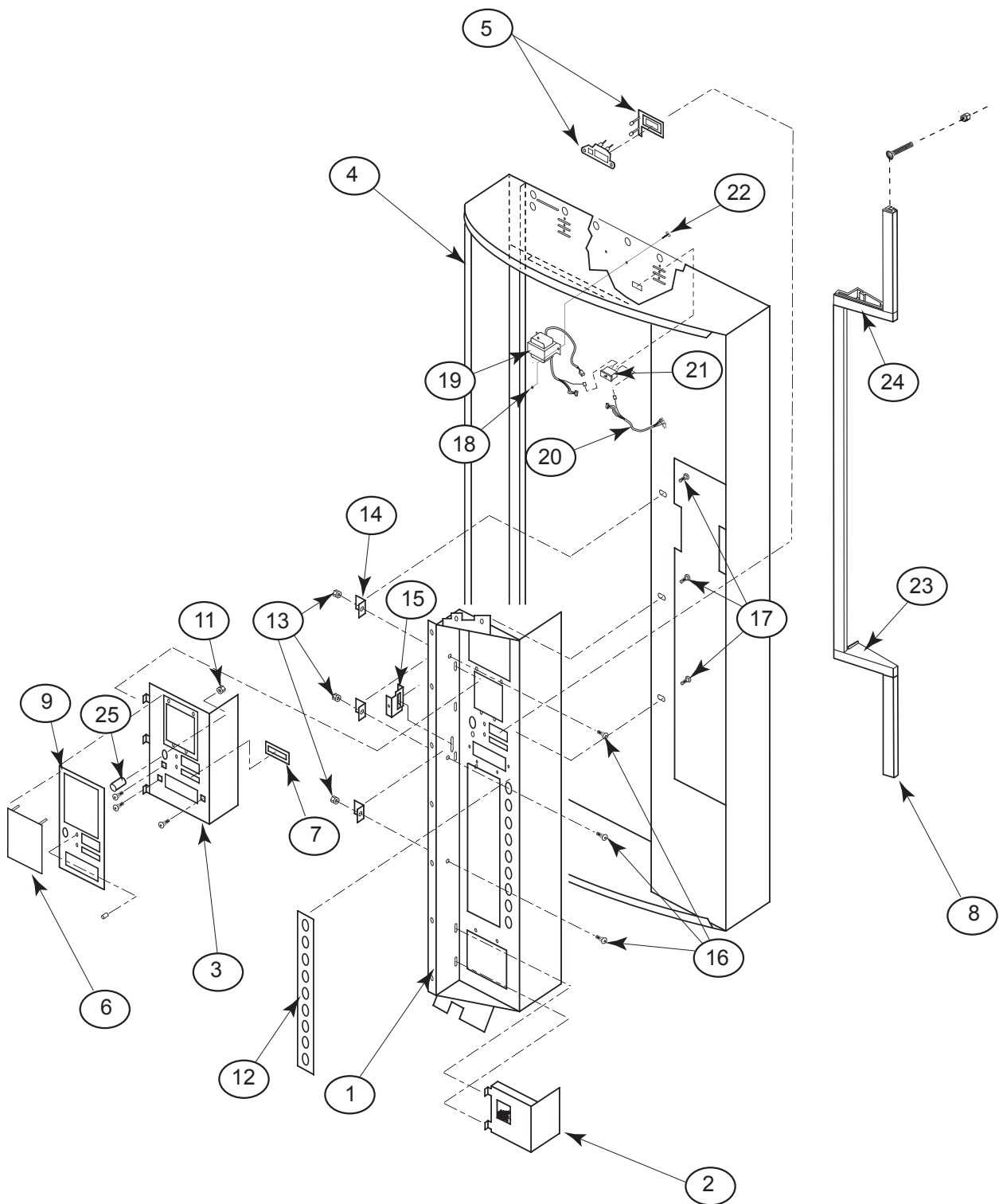
DOORS



DOORS

Item#	Part Name	Part Description	Code / Voltage	Royal Part #	Coke Part #
1	DOOR ASSEMBLY COMPLETE	79" CENTER DOOR CHANGER GIII		231520	
	DOOR ASSEMBLY COMPLETE	72" CENTER DOOR CHANGER GIII		232510	513517
	DOOR ASSEMBLY COMPLETE	79 GIII CDC BOTTLE		210592	5200125
	DOOR ASSEMBLY COMPLETE	CC 72" 6 SELECT NV MERLIN ROUND		149910	
	DOOR ASSEMBLY COMPLETE	CC 72" 7 SELECT MERLIN ROUND		142950	
	DOOR ASSEMBLY COMPLETE	CC 72" 9 SELECT REGULAR ROUND		144510	544283
	DOOR ASSEMBLY COMPLETE	CC 79" 9 SELECT REGULAR ROUND		143530	544284
	DOOR ASSEMBLY COMPLETE	CC 72" 9 SELECT GII		148510	
	DOOR ASSEMBLY COMPLETE	79" VRD GIII		210519	511700
	DOOR ASSEMBLY COMPLETE	72" VRD GIII		211512	
	DOOR ASSEMBLY COMPLETE	550 GIII NARROW BOTTLE GRAPHICS		289560	
	DOOR ASSEMBLY COMPLETE	550 GIII NARROW CAN GRAPHICS		289561	
2	COIN INSERT ASSEMBLY	79 COKE MERLIN C.D.C		161930	507514
	COIN INSERT ASSEMBLY	COKE - REG & OLD MERLIN		011520	540372
	COIN INSERT ASSEMBLY	COKE - NEW MERLIN		010920	501111
	COIN INSERT ASSEMBLY	79 COKE REGULAR C.D.C.		161592	
	COIN INSERT ASSEMBLY	72 COKE MERLIN C.D.C.		162920	507515
	COIN INSERT ASSEMBLY	CC 9 SEL MERLIN VANDAL RESISTANT		183910	
	COIN INSERT ASSEMBLY	COKE REG VRD		141559	505067
	COIN INSERT ASSEMBLY	CC ELECTRONIC VRD		141940	500586
	COIN INSERT	COKE / METAL ONLY		809001	541432
3	DOOR ASSY WIDE 72" BOTTLE	MARKETING		291550	515199
	DOOR ASSY WIDE 72" CAN	MARKETING		291551	515200
	DOOR ASSY WIDE 79" BOTTLE	MARKETING		290593	515201
	DOOR ASSY WIDE 79" CAN	MARKETING		290594	515202
4	BALLAST PANEL ASSY	CCR		290571	515218
	BALLAST HIGH OUTPUT	DR. PEPPER & DOMESTIC COKE		838001	508047
	BALLAST HIGH OUTPUT	VALMONT		838003	501107
	BALLAST ASSY.	COKE 72" REG W H.O.		011540	509160
	BALLAST ASSY.	COKE 72" MERLIN W H.O.		010950	513867
	BALLAST ASSY.	COKE 72" GIII C.D.C.		232520	514807
	BALLAST ASSY.	COKE 79 1/2" MERLIN H.O.		010950	513867
	BALLAST ASSY.	COKE 79" GIII C.D.C.		231560	530135
	BALLAST ASSY.	COKE 72" NV MERLIN H.O.		036930	519040
	BALLAST ASSY	79 1/2" COKE REG. CDC		171530	513961
	BALLAST ASSY	79 1/2" COKE MERLIN CDC		231560	
	BALLAST ASSY	72" W MERLIN (MAGNETEK) 220V	All 220-240V / 50HZ	013940	
	BALLAST ASSY	79" MERLIN (MAGNETEK) 220V	All 220-240V / 50HZ	012921	
	BALLAST ASSY	INTERNATIONAL SLIMLINE 220V	220-240V / 50/60HZ	231549	
5	RIGHT VANDAL PANEL 72"	MARKETING / RED		291585	515226
	RIGHT VANDAL PANEL 79"	MARKETING / RED		290585	515225
6	COIN BOX, MARKETING	MARKETING, PLASTIC		815347	518502
7	COIN BOX HOUSING, MARKETING	CCR		290526	515217
8	BOARD MOUNTING PANEL			290523	518487
9	DOOR SWITCH	RUN 1521 AND AFTER (ROCKER)		835019	516644
	DOOR SWITCH	PRIOR TO 1521 (PLUNGER)		835003	508810
10	COIN CUP	RUN 1350 AND AFTER GIII CDC		231505	509540
	COIN CUP	WIDE PORT/CDC		273506	
11	GROUND WIRE W/TAB ASSY			842271	
12	DOOR SWITCH MOUTING BRACKET	20 PLUS		296502	
13	RIGHT VANDEL PANEL	79" LANDSCAPE		010519	542189
	RIGHT VANDEL PANEL	72" LANDSCAPE		010501	

VANDAL RESISTANT DOOR



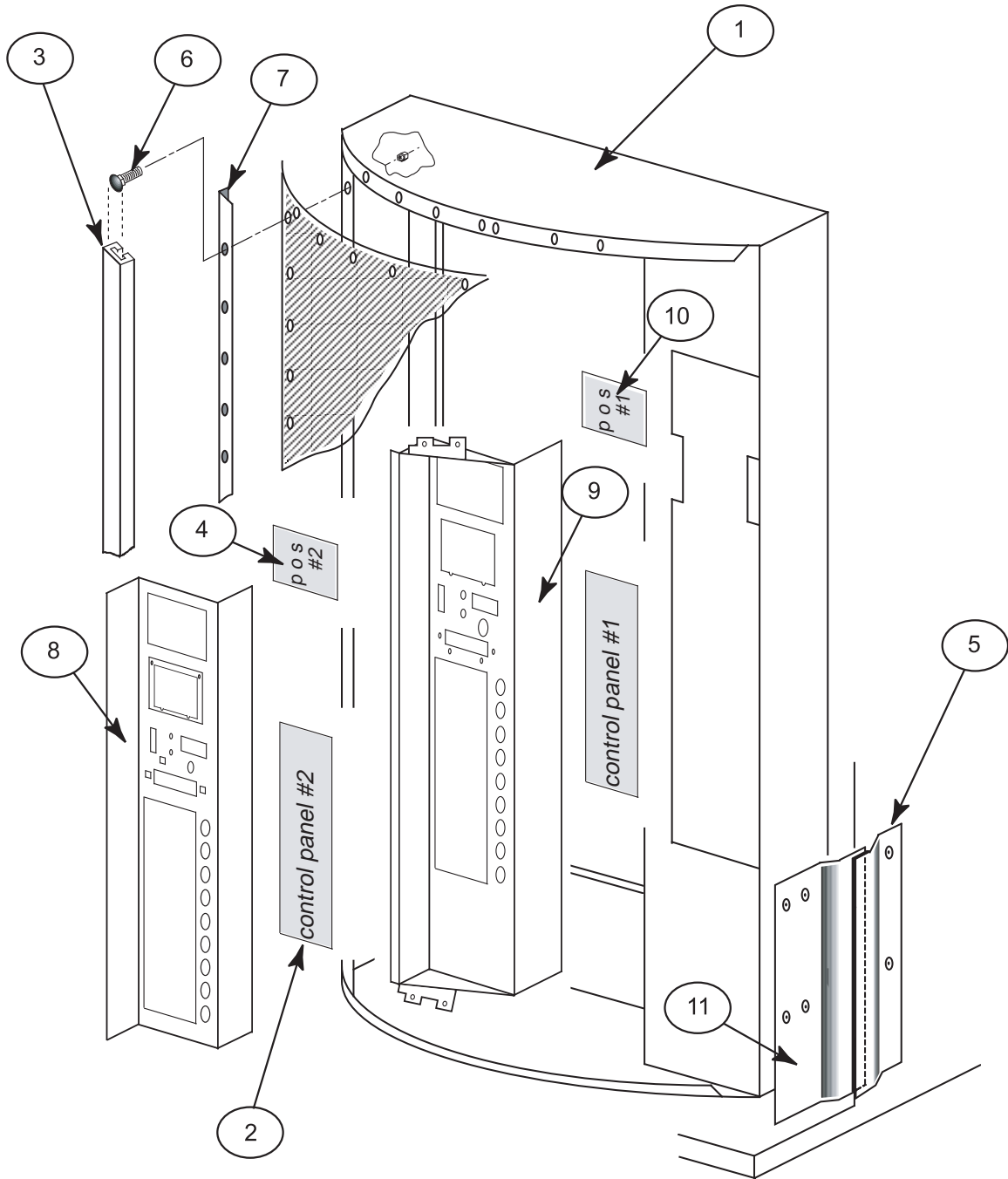
VANDAL RESISTANT DOOR

Item#	Part Name	Part Description	Code / Voltage	Royal Part #	Coke Part #
1	BOLT ON CONTROL PANEL W/A	CC 9 SELECT VRD		143510	503970
	BOLT-ON-CONTROL PANEL ASSY	CC 7 SEL MERLIN CDC		161920	509319
	BOLT ON CONTROL PANEL ASSY	CC 7 SELECT MERLIN VRD		141920	520615
	BOLT ON CONTROL PANEL ASSY	CC 9 SELECT MERLIN VRD		143920	520613
	BOLT ON CONTROL PANEL W/A	CC 5 SELECT VRD		150530	
	BOLT ON CONTROL PANEL W/A	CC 6 SELECT VRD		145510	513983
	BOLT ON CONTROL PANEL W/A	CC 7 SELECT VRD		141530	503969
	BOLT-ON-CONTROL PANEL ASSY	CC 9 SEL GII		167520	
	BOLT ON CONTROL PANEL ASSY	6 SELECT REGULAR		127540	
	BOLT ON CONTROL PANEL ASSY	9 SELECT MERLIN		125920	509419
	9 SELECT CONTROL PANEL ASSY	CC REG W/O HARNESS		015510	503658
	9 SELECT CONTROL PANEL ASSY	CC MERLIN W/O HARNESS		015940	501750
	9 SELECT CONTROL PANEL ASSY	CC EV CDC TG		173920	514359
	9 SELECT CONTROL PANEL ASSY	CC EV TG		183940	514360
	8 SELECT CONTROL PANEL W/A	NEW COKE		154520	513599
	7 SELECT CONTROL PANEL ASSY	CC MERLIN WV W/O HARNESS		010940	
	7 SELECT CONTROL PANEL ASSY	CC TUFF GUY		181930	520618
	7 SELECT CONTROL PANEL ASSY	CC REGULAR CENTER DOOR CHANGER		161540	
	7 SELECT CONTROL PANEL W/A	COKE CDC (METAL ONLY)		161530	517659
	6 SELECT CONTROL PANEL ASSY	CC REG VANDAL RESISTANT DOOR		145540	
	CONTROL PANEL ASSY	COKE VANDAL RESISTANT DOOR GII		147540	507661
	CONTROL PANEL ASSY	COKE GII		095519	510977
	CONTROL PANEL	FRONT/REAR CC 5		815146	513311
	CONTROL PANEL	FRONT/REAR CC 6		815147	540772
	CONTROL PANEL	FRONT/REAR CC 7		815148	540773
	CONTROL PANEL	FRONT/REAR CC 9		815149	540774
	CONTROL PANEL W/A	6 SELECT COKE		127530	
	CONTROL PANEL W/A	7 SELECT COKE		123530	505718
	CONTROL PANEL W/A	8 SELECT COKE		140520	
	CONTROL PANEL W/A	9 SELECT COKE		125510	509418
	CONTROL PANEL W/A	9 SELECT COKE CDC		163520	507900
	CONTROL PANEL W/A	CC 9 SEL CDC TG AUSTRALIA	AU / NZ	163570	
2	COIN CUP W/A MOUNTING PLATE	COKE (STEEL)		123550	501106
3	SECURITY PLATE W/A	COIN INSERT VRD		141550	503679
	SECURITY PLATE W/A	7 SELECT TUFF GUY CDC		171510	513360
	SECURITY PLATE W/A	COKE CDC		161550	507901
	SECURITY PLATE W/A	9 SELECT VANDAL RESISTANT DOOR TG		183510	513363
	SECURITY PLATE W/A	9 SELECT CENTER DOOR CHANGER TG		173510	513243
	SECURITY PLATE W/A	8 SELECT CENTER DOOR CHANGER TG		179510	
	SELECT PANEL COVER PLATE	G II 72" & 79" 1154 & GREATER INTERMED		095103	505714
4	WELDED DOOR ASSEMBLY	CC 79 1/2" / VRD		141510	509313
	WELDED DOOR ASSEMBLY	COKE 72" W ROUND		124510	516483
	WELDED DOOR ASSEMBLY	COKE 79.5" ROUND WIDE		123510	505717
	WELDED DOOR ASSEMBLY	CC 72" / VRD		142510	521203
	WELDED DOOR ASSEMBLY	CC 72" NV / VRD		149510	
	WELDED DOOR ASSEMBLY	CC 57 1/2" NV / VRD		150510	

VANDAL RESISTANT DOOR

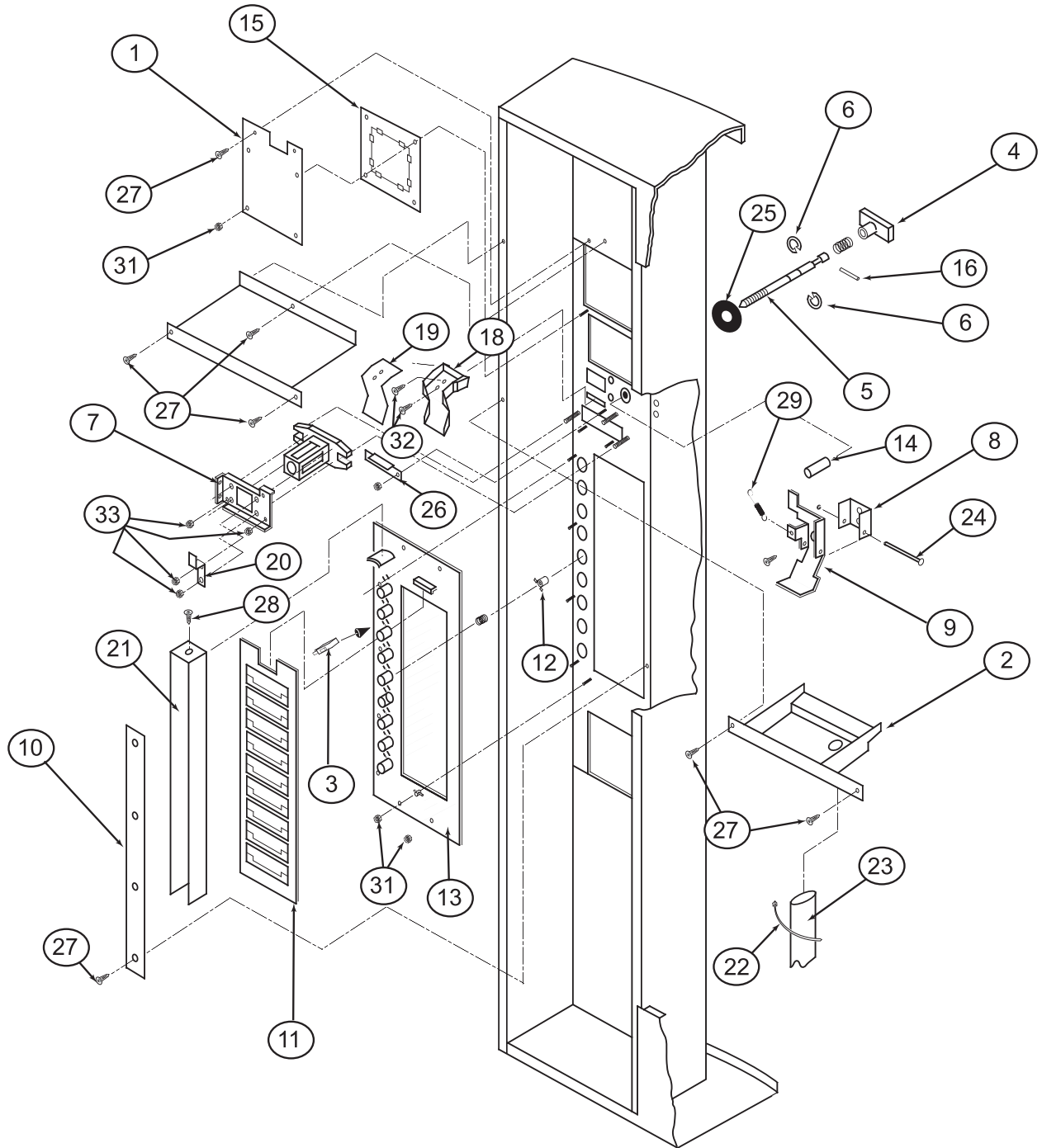
Item#	Part Name	Part Description	Code / Voltage	Royal Part #	Coke Part #
5	L.E.D. ASSY NEW	1.10 AND UP / L.E.D. AND WINDOW		010593	542982
	L.E.D. CONVERSION KIT	OLD L.E.D. TO NEW L.E.D. 5.0 BOARD		012124	
	L.E.D. DISPLAY	PARALYNE COATING		836012	511525
	L.E.D. DISPLAY SHROUD	CCR DOOR		929031	519108
	L.E.D. COVER			010562	
	L.E.D. WINDOW	1.09 & UNDER		010563	545510
	L.E.D. LENS	SMALL LITE LENS/COR CHANGE-SOLDOUT		916032	502378
6	VALIDATOR COVER	COKE (REPLACES VALIDATOR)		011518	544254
	VALIDATOR GUARD	COKE / METAL PANEL		141521	516967
	P.O.S. VALIDATOR PLATE	MARS		010159	545267
	VALIDATOR PLATE ASSEMBLY	MARS COKE		141593	
	VALIDATOR GUARD KIT	COKE		141592	509700
	BILL VALIDATOR LABEL	COKE / FRENCH CANADIAN	FR	831298	520243
7	COIN PLATE	COIN INSERT (LEXAN) VRD		141516	501105
8	TRIM--COKE	79.5"		141590	515169
	TRIM--COKE	72"		142530	1065882
9	SECURITY PLATE DECAL	GIII NON-CDC		845396	
	SECURITY PLATE DECAL	GIII CDC		845467	507154
10	T-BOLT	1/4X20X1"		901037	510433
11	HEX JAM NUT	9/16-18		905019	501351
12	DECAL SELECT BUTTON	9 SELECT		845383	505058
13	KEPS NUT	1/4-20		905002	508373
14	HOLD DOWN ANGLE			123505	501009
15	LOCK COVER HOLE BLOCK	LANDSCAPE		141509	513222
16	CARRIAGE BOLT	1/4-20X1/2		901007	508046
17	SEMS SCREW	8-32X3/8		901011	
18	KEPS NUT	8-32		905001	509937
19	TRANSFORMER	GIII		842147	507782
20	HARNES TO BOARD 24 VOLT			842146	510505
21	FUSE BOX ASSY			011128	
22	T-SCREW	8-32X3/4		901001	505765
23	COKE TRIM FILLER	BOTTOM GIII		815312	519017
24	COKE TRIM FILLER	TOP GIII		815311	519018
25	COIN RETURN BUTTON			803031	504229

TUFF GUY / STEEL DOOR CDC



Item#	Part Name	Part Description	Royal Part #	Coke Part #
1	WELDED DOOR ASSEMBLY	72" COKE CDC WIDE	162510	518532
	WELDED DOOR ASSEMBLY	79" COKE CDC WIDE	161510	513568
	DOOR ASSEMBLY COMPLETE	79" GIII TUFF GUY (CAN ON ICE)	210545	513584
2	FLAVOR CARD LEXAN PANEL	TUFF GUY	171522	507787
3	CHANNEL TRIM	TUFF GUY	171512	515285
4	P.O.S. LEXAN PANEL	TUFF GUY P.O.S. WINDOW	171523	507815
	VANDAL PANEL COVER	79 TUFF GUY	171101	511590
	VANDAL PANEL COVER	72 TUFF GUY	172001	513242
	VANDAL PANEL COVER	79 TUFF GUY	171001	

SELECT PANEL ASSEMBLY



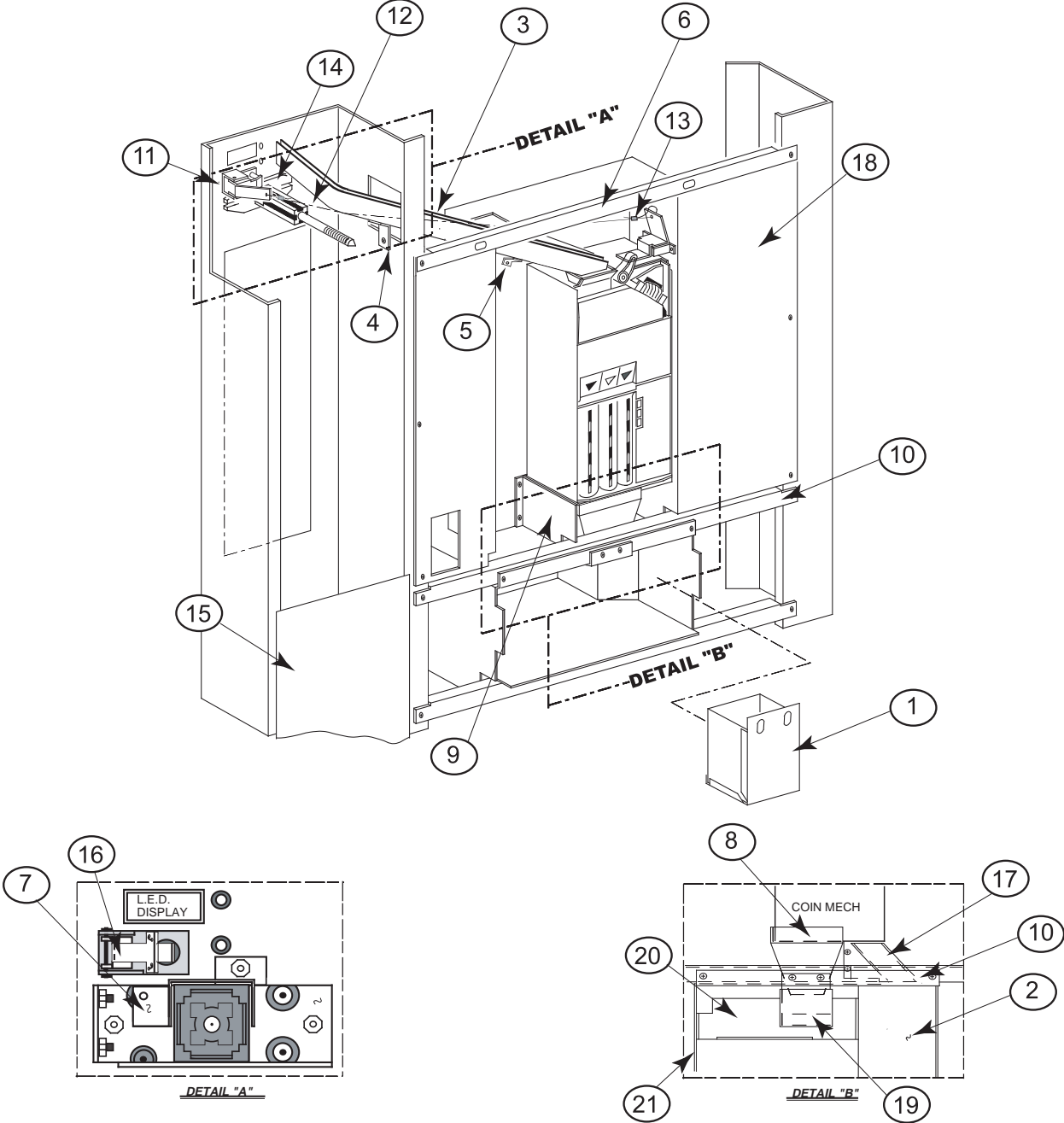
SELECT PANEL ASSEMBLY

Item#	Part Name	Part Description	Code / Voltage	Royal Part #	Coke Part #
1	P.O.S. WINDOW PLATE	COKE / METAL		123503	505057
2	CATCH BASIN-BILL VALIDATOR	GII / SALTING TRAY		095590	515324
	CATCH BASIN ASSY	CC 79 VANDAL RESISTANT VRD		147550	510540
	CATCH BASIN ASSY	CC 72 W VANDAL RESISTANT VRD		148530	513244
	CATCH BASIN ASSY	CC 72 N VANDAL RESISTANT		149560	520828
	CATCH BASIN ASSY	CC 79 CDC		161580	507509
	CATCH BASIN ASSY	CC 72 CDC		162530	507510
3	SWITCH MINIATURE	MOTOR, S/O BAR, COKE SELECT BUTTON		835001	542144
4	T HANDLE BODY	ALL EXCEPT VANDAL RESISTANT COKE		812134	505336
5	T HANDLE STUD	ALL EXCEPT VANDAL RESISTANT COKE		803006	544304
6	RETAINING RING FOR THE T-HANDLE	C-CLIP		912157	511232
7	T-HANDLE BRACE	ALL COKE /VANDAL RESISTANT PC		141513	500985
	T-HANDLE BRACKET	ALL COKE /VANDAL RESISTANT PC		011505	
	T HANDLE	FLUSH MOUNT FOR ROYAL DISPLAY		812138	
	T HANDLE ASSEMBLY	ALL EXCEPT VANDAL RESISTANT COKE		812001	541427
	T-HANDLE ASSEMBLY	ALL COKE /VANDAL RESISTANT PC		812176	503838
	T-HANDLE ASSEMBLY	AUSTRALIA (OLD STYLE)	AU / NZ	812258	
	T-HANDLE ASSEMBLY	AUSTRALIA (NEW STYLE)	AU / NZ	812293	
	T-HANDLE ASSEMBLY LESS HOUSING	Coke Steel Door		812271	515219
	T-HANDLE ASSEMBLY LESS HOUSING	Coke CCR		812277	520983
	T-HANDLE ASSEMBLY LESS HOUSING	Dr Pepper Vision IV		812289	521708
	T-HANDLE ASSEMBLY LESS HOUSING	Gill Plus		812290	520008
	T-HANDLE ASSEMBLY LESS HOUSING	Gill Plus CCR		812321	
8	HINGE COIN RETURN LEVER	COIN INSERT VRD		141506	504227
9	COIN RETURN LEVER	COIN INSERT VRD		141504	508033
	COIN RETURN BUSHING	ALL / COIN RETURN BUTTON VRD		803030	501352
	COIN RETURN HEX JAM NUT			905019	501351
	COIN RETURN TOOTH WASHER			904013	501754
	COIN RETURN LEVER ASSY	ABOVE ESCROW LEVER ON CHANGER CDC		161593	507522
10	RETAINING STRAP	FLAVOR CARD CARRIER VRD		141507	503490
	RETAINING STRIP	GAS		285504	520738
11	FLAVOR STRIP CARRIER	CC NEW COKE DOOR VRD		815167	503839
12	SELECTION BUTTON	NEW COKE DOOR VRD		815165	503881
	PUSH BUTTON	COKE		815006	541423
13	COKE BUTTON PANEL	CC NEW COKE DOOR VRD		815168	508048
	BUTTON PANEL	COKE GAS ISLAND 7 SELECT		285507	
	9 SELECT BUTTON PANEL ASSY	CC SELECT REGULAR VRD		143540	503322
	9 SELECT BUTTON PANEL ASSY	CC 9 SELECT MERLIN VRD		143930	506841
	BUTTON PANEL PLATE	7 SELECT COKE		123504	
	BUTTON PANEL ASSY	GII OLD STYLE DOOR		095580	504363
14	BUTTON COIN RETURN LEVER	BUTTON ONLY VRD		803031	504229
15	POS WINDOW	COKE / PLASTIC ONLY		815007	542138
	POS WINDOW	STEEL		231579	520256
	POS WINDOW DECAL	FOR STEEL DECAL		931439	
16	PIN FOR T-HANDLE	TO CONNECT STUD TO HANDLE		912133	541296
17	SECURITY SHELF			141512	505546

SELECT PANEL ASSEMBLY

Item#	Part Name	Part Description	Code / Voltage	Royal Part #	Coke Part #
18	COIN CHUTE	NON CDC		815001	508320
19	COIN CHUTE COVER	NON CDC		815002	542153
20	LEVER STOP			141514	500860
21	SPLASH GUARD	COKE		815169	505759
22	LARGE WIRE TIE			916007	530934
23	CATCH BASIN DRAIN TUBE			925038	510555
24	ROLLER PIN DOOR LIFTER			811002	504226
25	T-STUD SEALER WASHER			915258	1065572
26	COIN RAMP			141508	501003
27	SEMS SCREW	8-32X3/8		901011	
28	SELF DRILLING SCREW W/WASHER			902001	
29	SOLD OUT SPRING			914003	544920
30	SELECT BUTTON SPRING			914004	500065
31	KEPS NUT	8-32		905001	509937
32	SEM SCREW	6-32X3/8		901004	544103
33	KEPS NUT	1/4-20		905002	508373
	BALLAST ASSY	CCR 72" T8 // 3 BULB ECONO COOL		291593	
	BALLAST ASSY	CCR 79" T8 // 3 BULB ECONO COOL		292593	
	BALLAST ASSY	WV LANDSCAPE 79" T8// 3 BULB ECONO COOL		303531	
	BALLAST ASSY	WV LANDSCAPE 72" T8// 3 BULB ECONO COOL		304531	
	BALLAST ASSY	NV LANDSCAPE 78// 3 BULB ECONO COOL		305531	

CHANGER VAULT



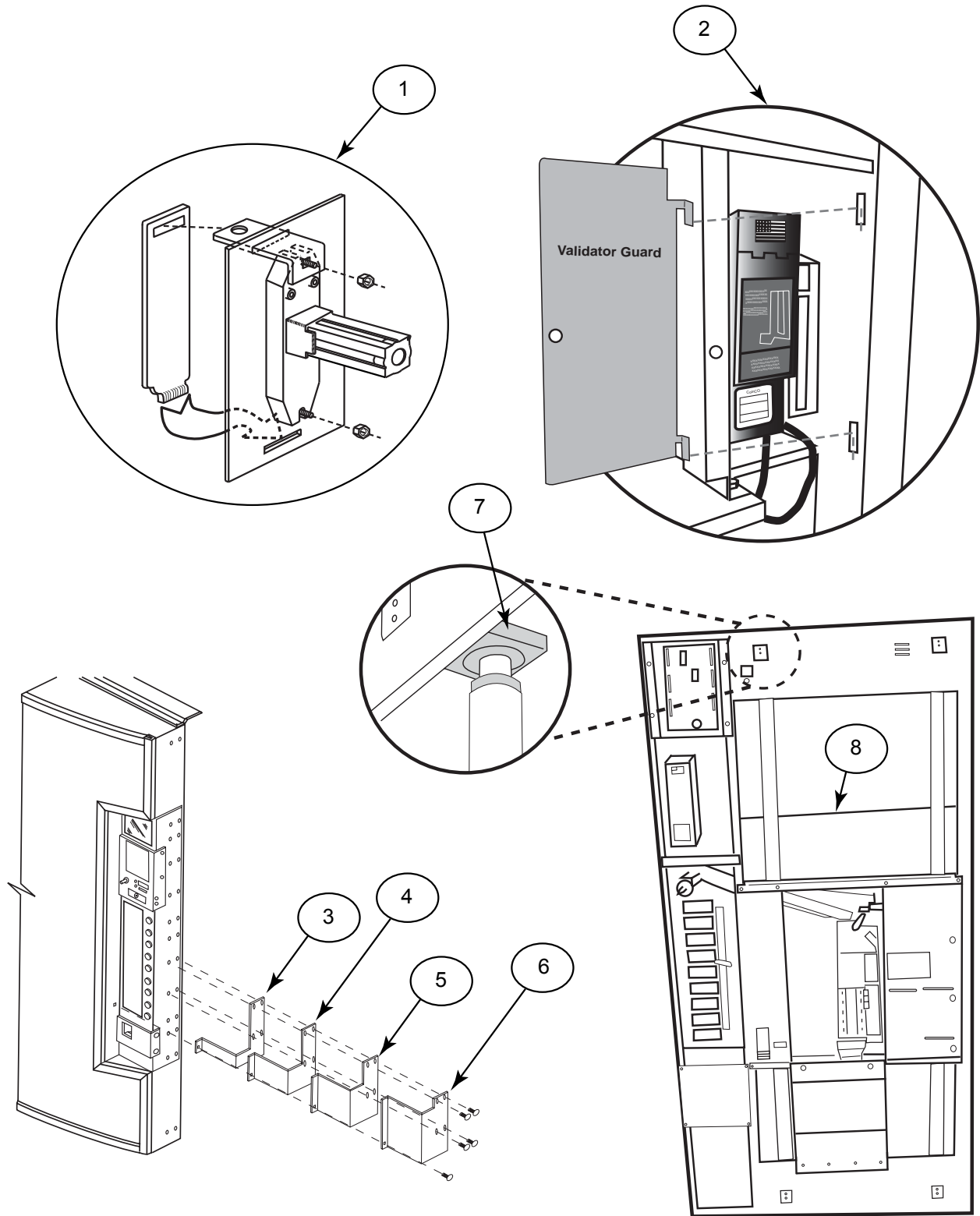
CHANGER VAULT

Item#	Part Name	Part Description	Code / Voltage	Royal Part #	Coke Part #
1	COIN BOX PLASTIC	ALL CDC		815347	518502
	COIN BOX WELD ASSY	WIDE		010580	
	COIN BOX WELD ASSY	COKE 57 1/2" N		038520	520639
	COIN BOX WELD ASSY	CC/PC CDC		161570	507165
2	COIN BOX HOUSING W/A	ALL CDC		273540	513732
	COIN BOX HOUSING	ALL VENDORS (EXCEPT CDC)		010537	505543
	COIN BOX/VALIDATOR GUARD KIT	ALL		011190	544245
	COIN BOX GUARD	FOR VENDORS W/O VALIDATOR		011147	513358
	SAFEGUARD COIN BOX	ALL VENDORS		010171	
	CASH BOX LOCK	LOCK CASH BOX KIT		812054	542178
	SAFEGUARD FUNNEL			812110	
	SAFEGUARD BOX W/KEYS			812111	
	SAFEGUARD BOX KIT -15"	79" COKE		141127	
	HONOR GARD MULTI PRICE	DOUBLE BAG SYS. BAG #20 CDC NORFOLK VA		812256	514689
	OPENER COIN CUP ASSY.	PLASTIC		010565	545508
	COIN CUP PLATE	USED W/OPENER COIN CUP		010552	502778
3	W / A COIN BOX CHUTE	GII CDC		231519	521117
	COIN CUP CONTOUR BOTTLE	3 DEEP+ CDC		231101	
	COIN DEFLECTOR	COKE / COIN CHUTE CDC		161526	507145
	COIN CHUTE ASSY	79 CDC		161590	506843
	COIN CHUTE ASSY	72 COKE CDC		162540	506842
	COIN CHUTE ASSY	ALL STANDARD VENDORS		010532	505542
	COIN CHUTE ASSY	EXPORT - CDC EXCEPT 72 COKE & DP	ALL EXCEPT CN	161582	
	COIN CHUTE ASSY	EXPORT - CDC 72 CC ONLY	ALL EXCEPT CN	162522	
	BOTTOM COIN CHUTE ASSY.	COKE		010594	503659
	4	COIN CHUTE BRACKET	79" COKE CDC		161527
COIN CHUTE BRACKET		72" COKE CDC		162502	501745
5	SUPPORT BRACKET	HOLDS COIN CHUTE CDC		161537	501746
6	CHANGER VAULT BRACE	HOLDS BOTTOM OF CHANGER VAULT		161518	507863
7	LOCK CYLINDER COVER	COKE / AROUND T-HANDLE HOUSING CDC		161532	507513
	LOCK CYLINDER COVER	NEW COKE		141561	
8	COIN HOPPER	NARROW		815015	542160
	COIN HOPPER	WIDE PORT		303502	521561
9	HOPPER MOUNTING BRACKET	COKE CDC		161515	507508
10	PORT BRACE W/A	HOLDS TOP OF CHANGER VAULT CDC		161541	507512
	PORT BRACE	ALL NARROW VENDORS/TOP AND BOTTOM BRACE		036502	
	PORT BRACE	WIDE PORT		010515	513357
11	BUTTON LEVER ASSY	COIN INSERT/COIN RETURN CDC		161594	507506
	CHANGER DOOR	IEC		010587	
12	3/64" DIA. GALV. CABLE	CDC		911032	507523
13	CABLE SLEEVES			906015	501753
	CABLE SCREW			901063	
14	T-HANDLE BRACE			141513	500985
15	SELECT PANEL PLATE			161512	507511
16	BUTTON LEVER ASSY			161594	507506

CHANGER VAULT

Item#	Part Name	Part Description	Code / Voltage	Royal Part #	Coke Part #
17	COIN BOX COIN CHUTE W/A	NARROW PORT		231519	521117
	COIN BOX COIN CHUTE W/A	WIDE PORT		303501	521560
18	CHANGER VAULT W/A	NARROW PORT		161523	
	CHANGER VAULT W/A	WIDE PORT		303506	
19	COIN CUP	AFTER 1349		231505	509540
	COIN CUP	PRIOR TO 1349		161505	507521
20	ANTI THEFT PLATE	CDC NARROW PORT		231504	509539
	ANTI THEFT PLATE	NON CDC NARROW PORT		210505	511260
	ANTI THEFT PLATE	CCR		290519	515228
	ANTI THEFT PLATE	CDC WIDE PORT		303503	532446
	ANTI THEFT PLATE	NON CDC NARROW PORT		305501	521560
21	PORT W/A	NARROW PORT		210510	513367
	PORT W/A	WIDE PORT		303540	521559
	PORT W/A	CCR		290540	515227
	COIN CHUTE SUPPORT	WIDE PORT		303507	
	CHANGER VAULT DOOR			161534	507524
	CHANGE LABEL	CDC		931341	508493
	OPEN BOTTLE SLOW LABEL			931355	518442

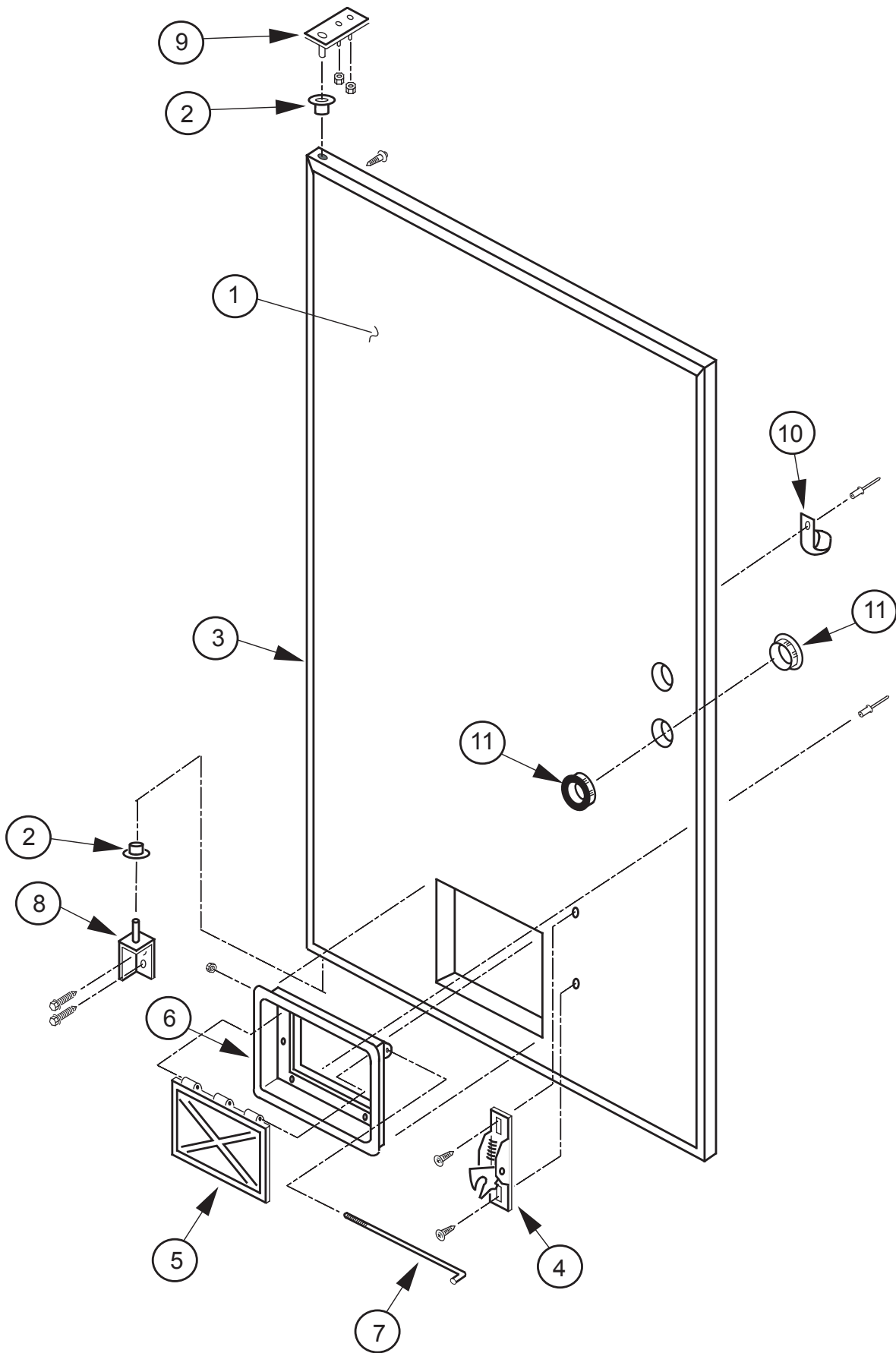
DOOR ACCESSORIES



DOOR ACCESSORIES

Item#	Part Name	Part Description	Royal Part #	Coke Part #	
1	LOCK COVER ASSEMBLY	WITH INSTRUCTIONS / CCR	290042	515903	
	LOCK COVER ASSEMBLY	BEFORE RUN 1172	010110	545506	
	LOCK COVER ASSEMBLY	RUN 1173 TO 1207	011140	544248	
	LOCK COVER ASSEMBLY	RUN 1207 TO PRESENT	141110	544921	
	STRIKE/LOCK PLATE	VANDAL RESISTANT	810039		
	LOCK PLATE	VANDAL RESISTANT	810038		
	LATCH PLATE	FOR RUN 1173 TO 1207	810020		
	LOCK PLATE	FOR RUN 1173 TO 1207	810019	505349	
	2	VALIDATOR SECURITY DOOR KIT	CCR	290131	516351
		VALIDATOR SECURITY DOOR KIT	LANDSCAPE	141592	509700
3	BUTTON COVER	8 SEL COVERS BOTTOM BUTTON VRD	147101	545512	
4	BUTTON COVER	7 SEL COVERS BOTTOM (2) BUTTONS VRD	147102	505758	
5	BUTTON COVER	6 SEL COVERS BOTTOM (3) BUTTONS VRD	147103	509420	
6	BUTTON COVER	5 SEL COVERS BOTTOM (4) BUTTONS VRD	147104	511253	
7	LAMP BRACKET	ALL VENDORS	010517	541464	
8	TIE ROD	NARROW DOOR	811005	521693	
	TIE ROD - DOOR	5/32 DIA X 28.31 WIDE DOOR	811001	518435	
	FUSE BOX ASSY. W / LEADS	MERLIN / 3 AMP / GII / GIII	095114		
	FUSE BOX ASSY.	MERLIN / 3 AMP / GII / GIII	842219	510071	

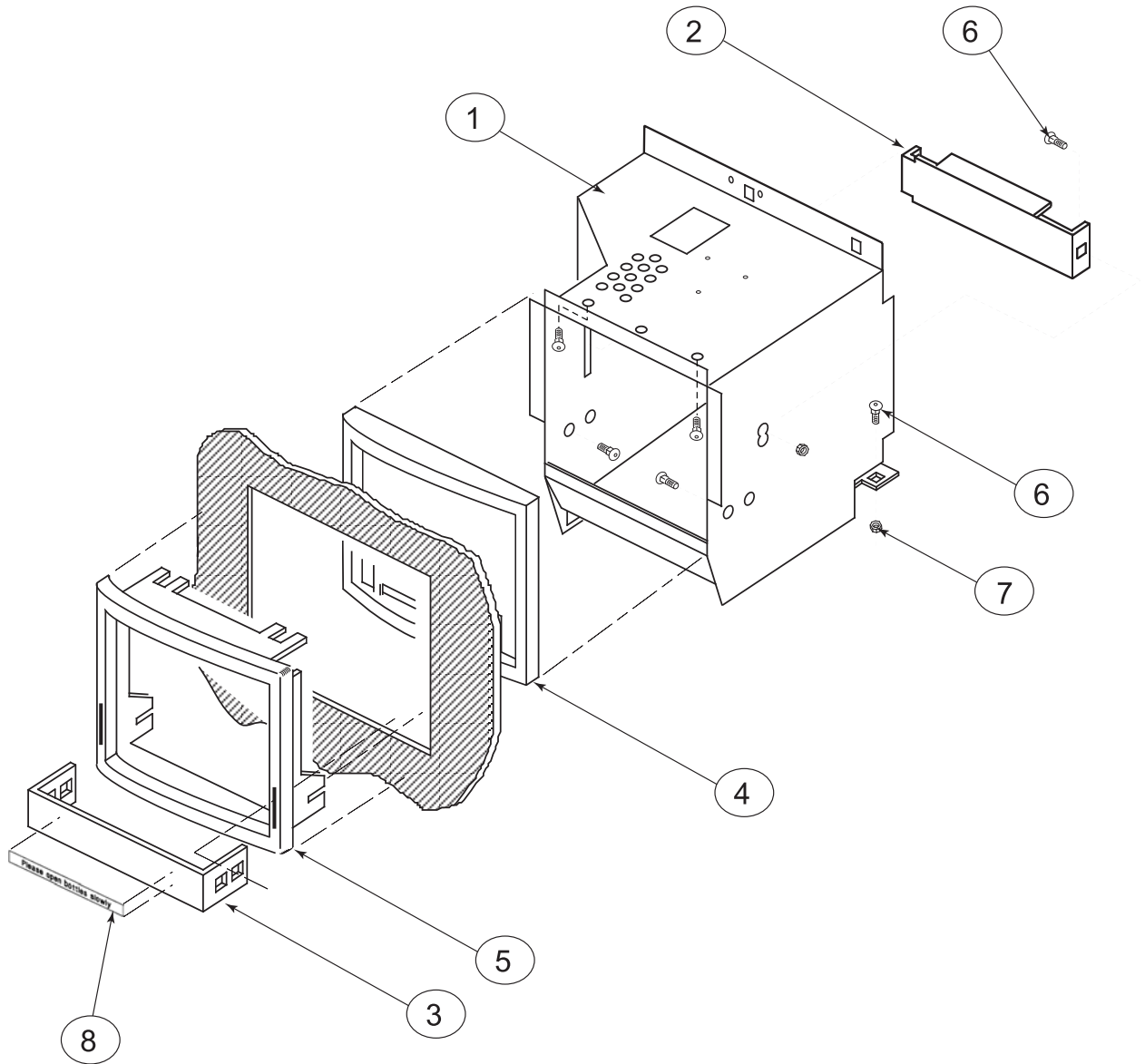
INNER DOOR



INNER DOOR

Item#	Part Name	Part Description	Code / Voltage	Royal Part #	Coke Part #
1	INNER DOOR ASSEMBLY	72" GIII		211607	509935
	INNER DOOR ASSEMBLY	72" NARROW		289610	521202
	INNER DOOR ASSEMBLY	72" (RUN 1405 & BEFORE)		011620	505061
	INNER DOOR ASSEMBLY	79 1/2" (RUN 1405 & BEFORE)		010650	519899
	INNER DOOR ASSEMBLY	79" GIII		210609	516421
	INNER DOOR ASSEMBLY	G II 79 1/2 (RUN 1405 & BEFORE)		095640	515813
	INNER DOOR ASSEMBLY	G II 72" (RUN 1405 & BEFORE)		096630	517000
	INNER DOOR ASSY, WIDE 72"	MARKETING 1504 & AFTER		291605	515203
	INNER DOOR ASSY, WIDE 79"	MARKETING 1504 & AFTER		290605	515204
	INNER DOOR ASSY, NARROW 72"	MARKETING 1504 & AFTER		293605	515204
	INNER DOOR COMPLETE ASSY. 79"	20 PLUS		296610	
	INNER DOOR ASSEMBLY	79" GIII AUSTRALIA	AU / NZ	210613	
	INNER DOOR ASSEMBLY	79" GIII MARKETING AUSTRALIA	AU / NZ	291609	
2	INNER DOOR HINGE ASSY	BOTTOM		010550	504711
	INNER DOOR HINGE ASSY	BOTTOM (QUICK DISCONNECT)		296504	
3	INNER DOOR HINGE ASSY	TOP		010520	511259
4	BUSHING 1 3/8	HEYCO SB 1375-16		916003	510572
5	INNER DOOR BUSHING	FOR TOP AND BOTTOM HINGES		815026	507492
6	INNER DOOR GASKET	72" WIDE		815032	509892
	INNER DOOR GASKET	57 1/2"		815046	
	INNER DOOR GASKET	72" NARROW		815044	515309
	INNER DOOR GASKET	79" WIDE		815033	543311
	INNER DOOR GASKET	20 PLUS 72" WIDE		815351	
	INNER DOOR GASKET	20 PLUS 79" WIDE		815350	
	INNER DOOR LOCK CAM	INNER DOOR WITH NEW GASKET (OFFSET CAM)		912187	513211
	INNER DOOR LOCK	INNER DOOR LOCK		812055	513519
	LATCH ROLLER BRACKET	FOR INNER DOOR LATCH STRIKE		010516	505711
7	BURST OPEN LATCH	FOR INNER DOOR		812002	504720
	BURST OPEN LATCH STRIKE ASSY	MARKETING / CCR		290546	515221
8	INNER DOOR PORT FRAME	1.8 GIII		815191	512473
	PORT FRAME	FOR INNER DOOR		815013	541422
9	INNER DOOR PORT DOOR	1.4 GIII		815192	510327
	PORT DOOR	FOR INNER DOOR		815014	541318
10	PORT DOOR ROD	GIII		811028	510438
	PORT DOOR ROD	.125 DIA X 8.31 LONG		811004	543316
11	6-32 SELF LOCKING HEX NUT	6/32 NUT		905006	
8-11	PORT FRAME ASSEMBLY			810053	520045
12	CABLE CLAMP 1"	NYLON 1/2 WIDE		916004	510573

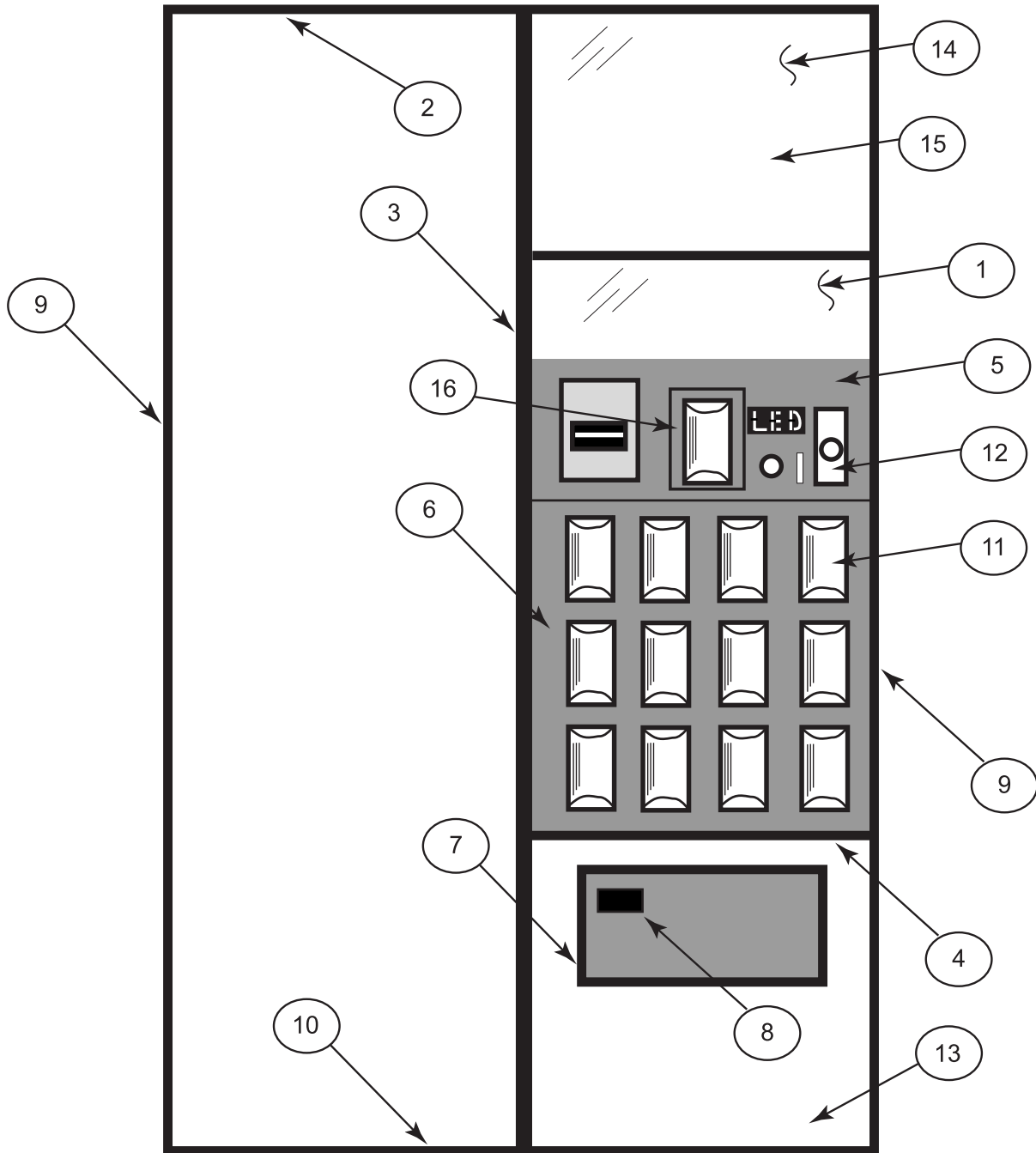
PORT



PORT

Item#	Part Name	Part Description	Royal Part #	Coke Part #
1	PORT BODY W/A	GIII / ALL CC / CD NARROW PORT	210510	513367
	PORT W/A, MARKETING		290540	515227
	WELDED PORT ASSY.	COKE/DR PEPPER	010530	541445
	COIN BOX / PORT BODY W/A	COKE CDC	161560	507518
	CAN PORT ASSY. COMPLETE	COKE WIDE	010595	1066396
	PORT W/A	20 PLUS MARKETING	296520	
	PORT BODY W/A	WIDE PORT CDC	303540	521559
	PORT BODY W/A	WIDE PORT NON-CDC	305510	520864
2	ANTI-THEFT PLATE	GIII NARROW PORT NON-CDC	210505	511260
	ANTI-THEFT PLATE	GIII NARROW PORT CDC	231523	520308
	ANTI-THEFT PLATE	CDC WIDE PORT GIII	303503	532446
	ANTI-THEFT PLATE	NON CDC WIDE PORT GIII	305501	521560
	ANTI THEFT PLATE	MARKETING	290519	515228
	ANTI-THEFT PLATE	20 PLUS MARKETING	296505	
3	CAN STOP	ALL NARROW PORT VENDORS	010508	544261
	CAN STOP	WIDE PORT	273508	520049
4	PORT SPACER	CC, CD, DP NARROW PORT	815020	544108
	PORT SPACER	WIDE PORT	815248	520051
5	PORT TRIM	NARROW PORT VENDORS / PLASTIC	815019	542157
	PORT TRIM	WIDE PORT	815249	520050
	PORT HOLE SEALER	GIII	826008	
	PORT BRACKET	COKE CONTOUR BOTTLE	210542	
6	NUT	1/4-20	905002	508373
7	BOLT	1/4-20X1/2	901007	508046
8	OPEN BOTTLE SLOWLY DECAL		931355	518442

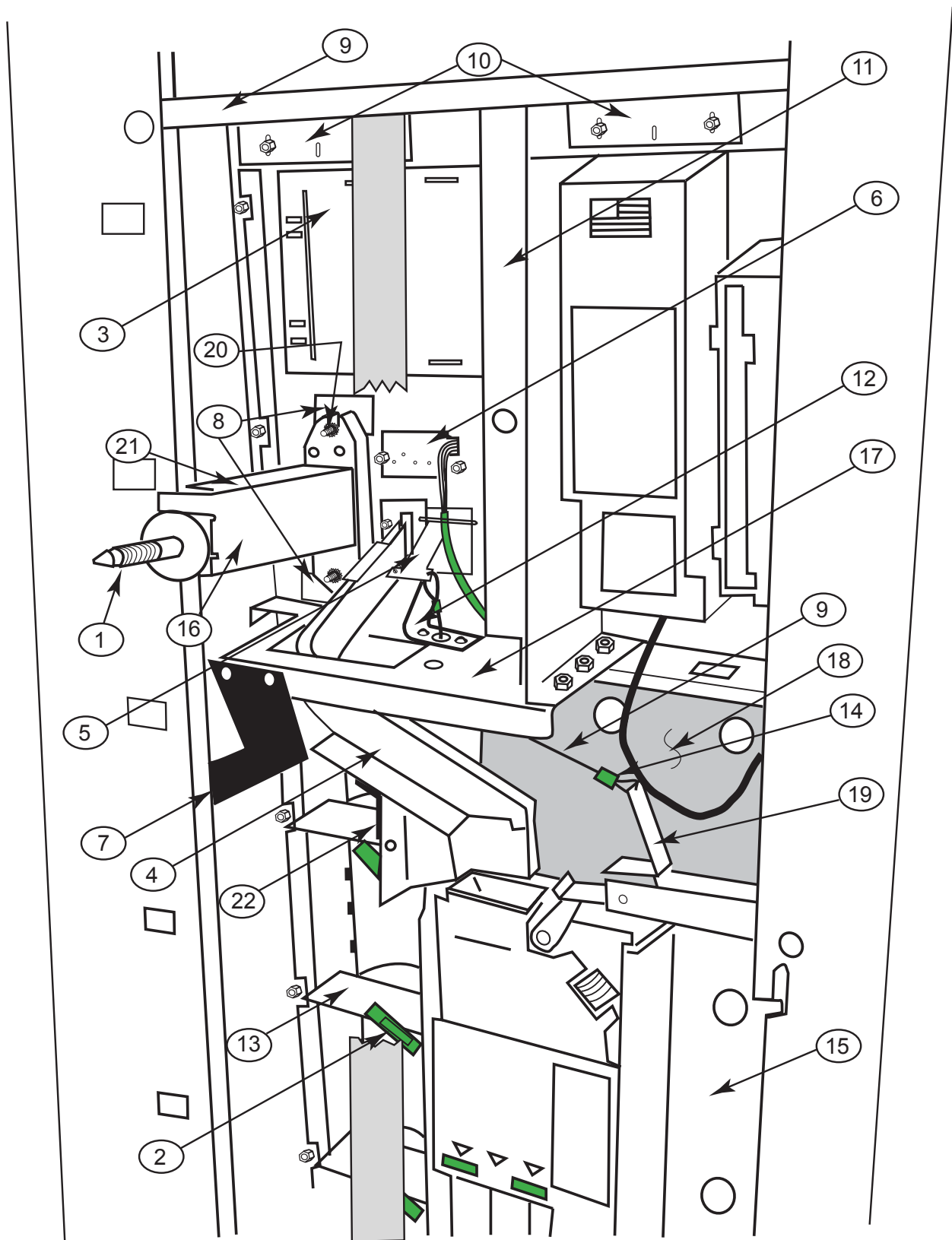
OUTSIDE MARKETING DOOR



OUTSIDE MARKETING DOOR

Item#	Part Name	Part Description	Code / Voltage	Royal Part #	Coke Part #
1	P.O.S. WINDOW / CCR / LEXAN			815304	518485
	POS THIRSTY CARD			831348	516927
2	SIGN TRIM TOP, WIDE 72"/79"	MARKETING		290587	515229
3	SIGN TRIM CENTER 79"	(VERTICAL TRIM) CCR		290596	515230
	SIGN TRIM CENTER 72"	(VERTICAL TRIM) CCR		291509	515231
4	SIGN TRIM- FLAT, 28", MARKETING			290597	515232
5	CONTROL PANEL ASSY CCR	MARKETING		290599	515233
6	BUTTON PANEL ASSY W/HARNESS	MARKETING		290566	515234
	BUTTON PANEL ASSY	20 PLUS		296512	
7	PORT TRIM	MARKETING / RED		290516	515235
8	COIN CUP MARKETING			290522	515236
9	SIGN TRIM LT/RT 79"	MARKETING		290589	515237
	SIGN TRIM LT/RT 72"	MARKETING		291508	515238
10	SIGN TRIM BOTTOM, WIDE	MARKETING		290588	515239
11	SELECT BUTTON	CCR		815272	514940
12	T-HANDLE ASSY MARKETING	CCR		812271	515219
	T-HANDLE ASSY MARKETING	CCR 1504 & AFTER		812290	520008
	T-HANDLE ASSY MARKETING	CCR	AU / NZ	812288	
	T-HANDLE ASSY MARKETING	CCR 1504 & AFTER	AU / NZ	812294	
	T-HANDLE HOUSING ONLY	CCR		812336	
13	PORT PANEL SIGN	CCR		848278	
14	AD PANEL LEXAN	72" CCR		848574	
	AD PANEL LEXAN	79" CCR		848575	516929
15	AD PANEL CARD	72" CCR		831421	
16	FSB BEZEL	CCR		290569	515949
	FSB DECAL	CCR		831349	516923
	VALIDATOR GUARD	CCR		290131	516351
	RED CHRISTMAS TREE CLIPS	CCR		916084	
	VALIDATOR FILLER DECAL	CCR		931361	520883

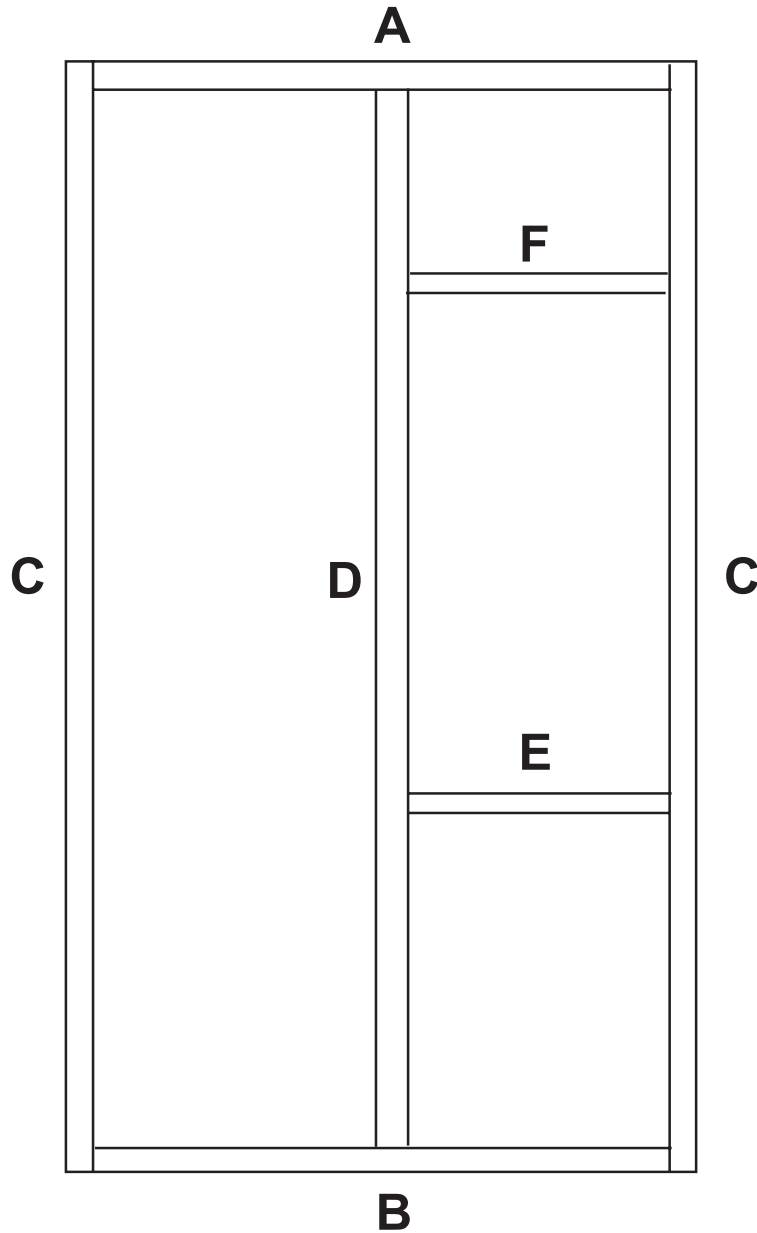
INSIDE MARKETING DOOR



INSIDE MARKETING DOOR

Item#	Part Name	Part Description	Royal Part #	Coke Part #
1	T-HANDLE ASSY MARKETING	CCR	812271	515219
2	SELECT SWITCH - CHERRY	CCR	835001	542144
3	P.O.S. / CCR WINDOW PLATE		290535	516614
4	COIN CHUTE ASSY	CCR	290564	515944
5	COIN RETURN LEVER ASSY	CCR	291529	517678
6	L.E.D ASSY MARKETING	CCR	291525	517679
7	WATER DIVERTER MARKETING	CCR	815298	
8	LOCK COVER HOLE BLOCK KIT	CCR W/O LOCKCOVER	290044	516422
9	TOP BULKHEAD	CCR	290515	516791
10	CONTROL PANEL STRAP	CCR	290582	517039
11	VALIDATOR DIVIDER	CCR	290541	516669
12	LEVER STOP	CCR	290544	520623
13	SWITCH CARRIER STRIP	CCR	815273	516369
14	CABLE SLEEVE	CCR	906015	501753
15	CHANGER DOOR ASSY	CCR	290562	518521
16	T-HANDLE BRACE	CCR	290539	518522
17	CONTROL PANEL BRACE	CCR	290529	516358
18	CHANGER SHEILD	CCR	290525	
19	COIN RETURN HINGE	CCR	290543	520752
20	NUT	CCR	907004	
21	COIN PLATE RETAINER	CCR	290545	520013
22	COIN CHUTE SUPPORT	CCR	290542	520751
	BUTTON SUPPORT CHANNEL	CCR	290506	519017
	FSB BUTTON CHANNEL	CCR	290512	516613

DOOR TRIM



**Black Marketing
“Clip-On” Trim**
(200307 & after)

79” Wide Marketing, Clip On (Kit # 338501)

Item	Part Number	Length (inches)
A	339539	34.25
B	339538	34.25
C	338502	76.94
D	338503	74.00
E	339541	15.50
F	339545	15.50

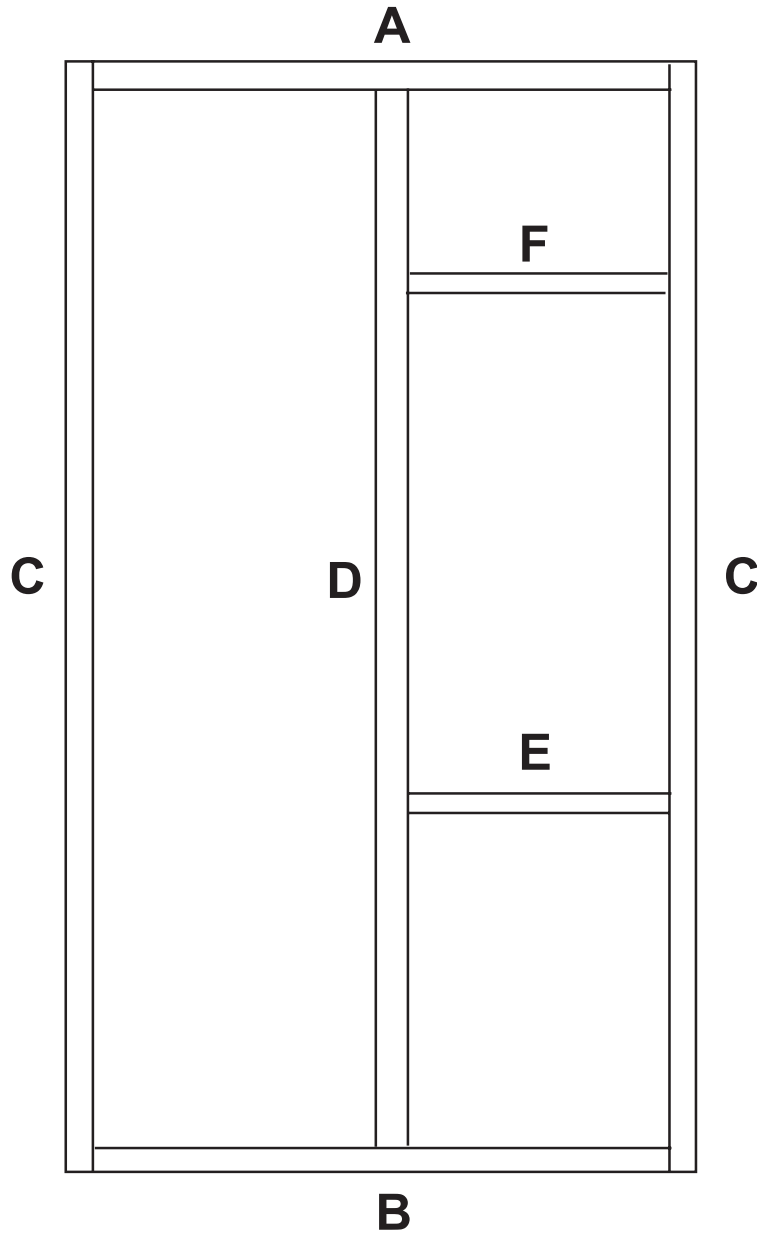
72” Narrow Marketing Clip On (Kit # 341503)

Item	Part Number	Length (inches)
A	341505	28.18
B	341504	28.18
C	339536	69.38
D	339537	66.44
E	339541	15.50
F	339545	15.50

72” Wide Marketing, Clip On (Kit # 339535)

Item	Part Number	Length (inches)
A	339539	34.25
B	339538	34.25
C	339536	69.38
D	339537	74.00
E	339541	15.50
F	339545	15.50

DOOR TRIM



**Red Marketing
"Clip-On" Trim**
(1522XX to 200306)

79" Wide Marketing, Clip On (Kit # 294501)

Item	Part Number	Length (inches)
A	291539	33.73
B	291538	33.73
C	292513	76.44
D	292514	73.53
E	291541	14.92
F	291545	14.92

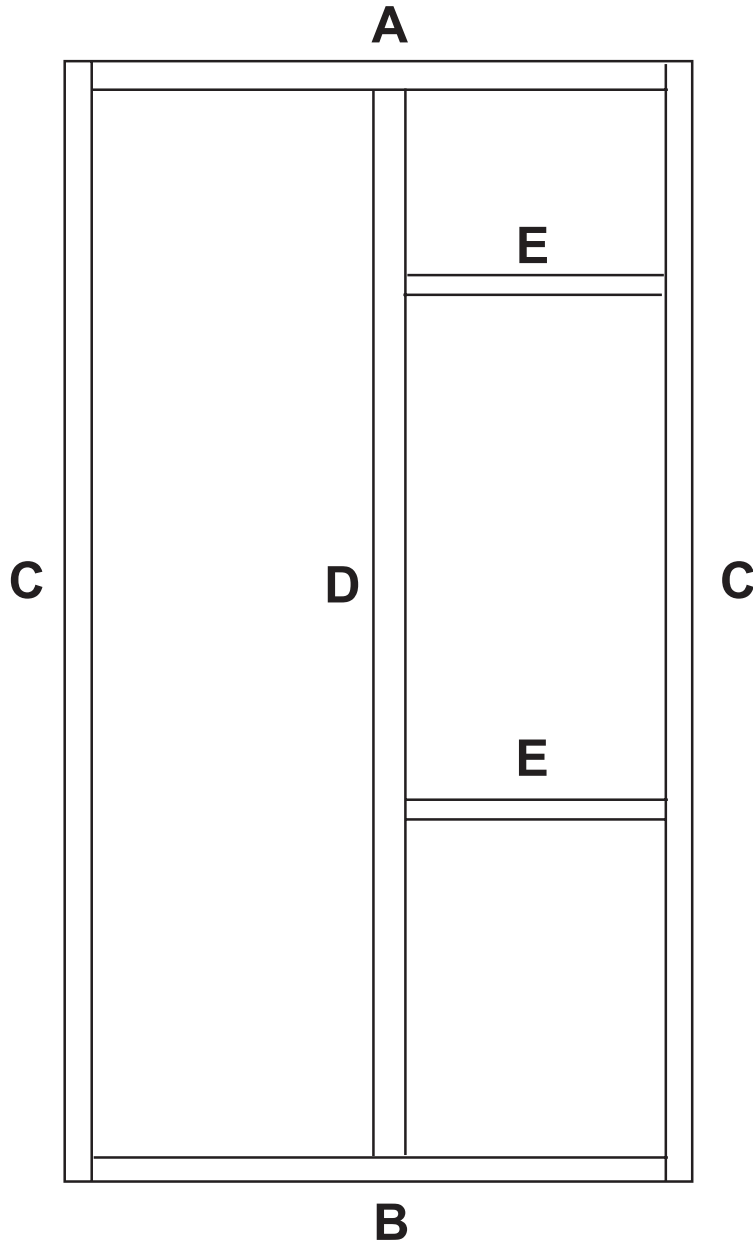
72" Narrow Marketing Clip On (Kit # 293503)

Item	Part Number	Length (inches)
A	292516	27.66
B	292515	27.66
C	291536	68.88
D	291537	65.97
E	291541	14.92
F	291545	14.92

72" Wide Marketing, Clip On (Kit # 291535)

Item	Part Number	Length (inches)
A	291539	33.73
B	291538	33.73
C	291536	68.88
D	291537	65.97
E	291541	14.92
F	291545	14.92

DOOR TRIM



Marketing Trim

(prior to run 1522)

79" Wide Marketing (Kit # 290586)

Item	Part Number	Length (inches)
A	290587	33.64
B	290588	33.64
C	290589	76.64
D	290596	73.72
E	290597	14.94

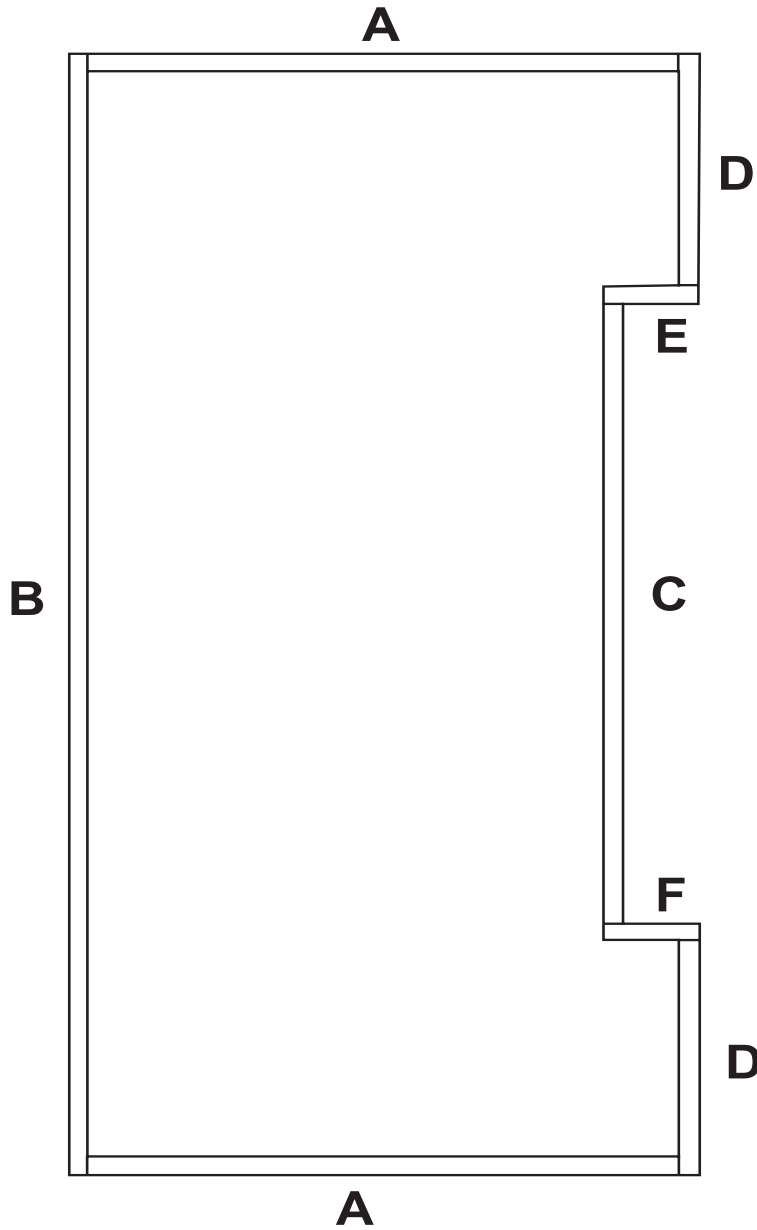
72" Narrow Marketing (Kit # 293502)

Item	Part Number	Length (inches)
A	292508	27.57
B	292509	27.57
C	291508	69.08
D	291509	66.16
E	290597	14.94

72" Wide Marketing (Kit # 291507)

A	290587	33.64
B	290588	33.64
C	291508	69.08
D	291509	69.08
E	290597	14.94

DOOR TRIM



Landscape Trim

(run 1525 and after)

79" Wide Landscape (Kit # 143509)

Item	Part Number	Length (inches)
A	141552	34.63
B	141553	76.25
C	143511	42.12
D	143512	16.00
E	815311	
F	815312	

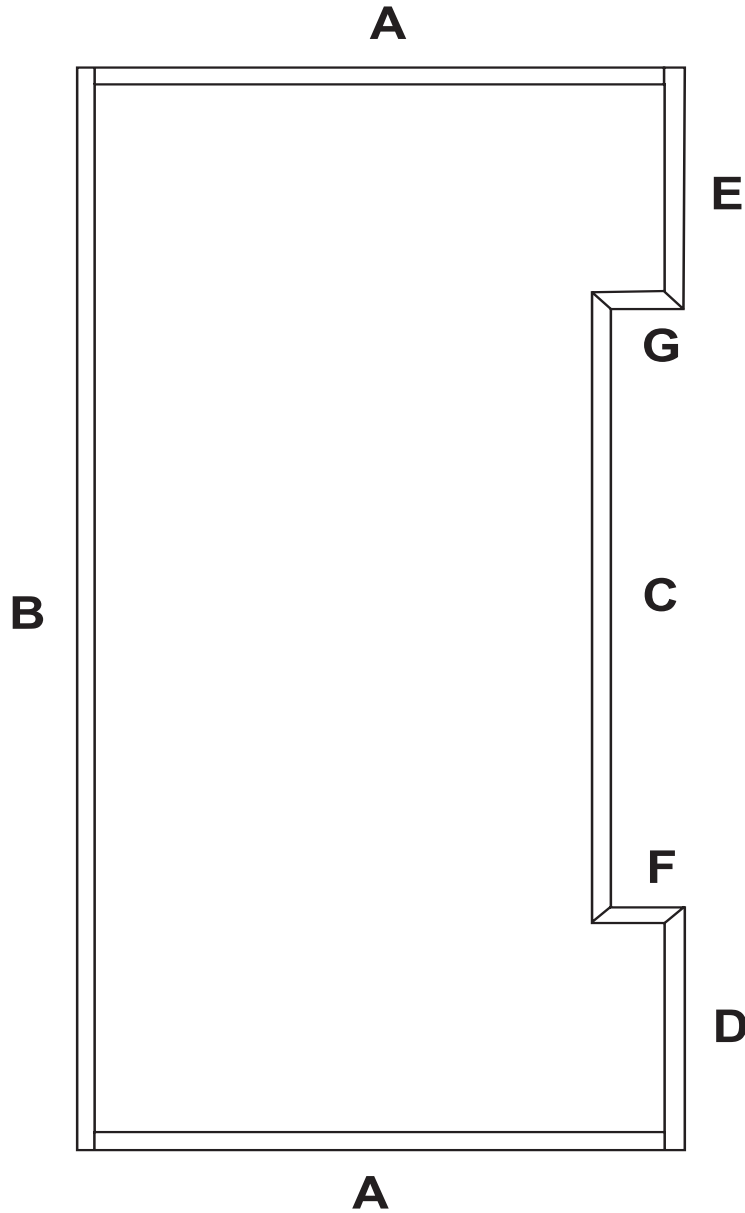
72" Narrow Landscape (Kit # 259560)

Item	Part Number	Length (inches)
A	258507	29.19
B	142502	68.75
C	143511	42.12
D	142508	12.25
E	815311	
F	815312	

72" Wide Landscape (Kit # 142507)

Item	Part Number	Length (inches)
A	141552	34.63
B	142502	68.75
C	143511	42.12
D	142508	12.25
E	815311	
F	815312	

DOOR TRIM



Landscape Angled Trim

(prior to run 1525)

79" Wide Landscape (Kit # 141590)

Item	Part Number	Length (inches)
A	141552	34.63
B	141553	76.25
C	141556	44.38
D	141555	17.06
E	141554	17.06
F	141558	5.63
G	141557	5.63

72" Narrow Landscape (Kit # 259520)

Item	Part Number	Length (inches)
A	258507	29.19
B	142502	68.75
C	141556	44.38
D	142504	13.38
E	142503	13.38
F	141558	5.63
G	141557	5.63

72" Wide Landscape (Kit # 142530)

Item	Part Number	Length (inches)
A	141552	34.63
B	142502	68.75
C	141556	44.38
D	142504	13.38
E	142503	13.38
F	141558	5.63
G	141557	5.63

MISCELLANEOUS

Part Name	Part Description	Code / Voltage	Royal Part #	Coke Part #
Shims				
12 OZ. FORMED CAN SHIM	NARROW COL /16 OZ. 3 DEEP		201101	508029
FORMED CAN SHIM	NARROW COLUMN 3 DEEP (.375 THK.)		058129	508038
FORMED SHIM-NARROW	2-D		011179	503745
FORMED SHIM-RIGHT	.31 THICK		011196	501883
FORMED SHIM-LEFT	.31 THICK		011197	501884
10 OZ. FLAT SHIM	WIDE/3-DEEP		058105	545495
3 DEEP FLAT SHIM	20GA.		119708	516889
3 DEEP FLAT SHIM	12GA.		108711	509934
3 DEEP FLAT SHIM	16 GA.		108715	
3 + DEEP FLAT SHIM	WIDE		201135	
3 DEEPFLAT SHIM	FOR BOTTLE VENDORS / 20 OZ WIDE COL ONLY		108709	501812
FLAT SHIM RIGHT SIDE	20 GA (NO NOTCH)		011177	509158
FLAT SHIM WIDE / COLUMN	20 GA.		010128	502780
W/A SHIM RIGHT	3 DEEP / .28 THICK		058180	508018
W/A SHIM LEFT	3 DEEP / .28 THICK		058190	508017
W/A LEFT SHIM	1 PER WIDE COL GATORADE/POWERADE 540		108730	508039
W/A RIGHT SHIM	1 PER WIDE COL GATORADE/POWERADE 540		108740	508040
10 OZ BOTTLE SHIM	2 DEEP NARROW COLUMN		010107	
12 OZ CAN SHIM	NARROW SHIM 16 OZ 3 DEEP		201102	511387
10 OZ. NAR. CAN SHIM/COL	2-DEEP/MERLIN		010143	502776
10 OZ. CAN SHIM/COL	WIDE		010118	501441
6 OZ. CAN SHIM/COLUMN	2-DEEP/MERLIN		010144	501882
3 D WIDE COLUMN SHIM RIGHT	STANDARD REAR CAN SHIM 552		058714	513310
3 D WIDE COLUMN SHIM LEFT	STANDARD REAR CAN SHIM 552		058715	545497
3 D NARROW COLUMN SHIM	STANDARD REAR CAN SHIM 552		058707	509816
NARROW SHIM 3 DEEP	16OZ BOTTLE		058138	
WIDE SHIM LEFT	20 OZ BOTTLES 3 DEEP		058136	511336
WIDE SHIM LEFT 16 OZ CAN	3 DEEP WIDE COLUMN		058126	
WIDE SHIM RIGHT	20 OZ 3 DEEP		058135	511335
WIDE SHIM RIGHT 16 OZ CAN	3 DEEP WIDE COLUMN		058125	
3 DEEP SHIM ROD	FOR BOTTLE SHIM KITS		803009	508374
SHIM ROD	FOR BOTTLE SHIM KITS		803007	503744
ROD SPRING	SHIM ROD		914006	503746
TIE STRIP SHIM	MERLIN		011189	
NARROW SHIM	10 OZ CAN 3 DEEP NARROW COLUMN		058124	
FLAT SHIM	WIDE COLUMN / 3 DEEP + (12 GA.)		201105	
FLAT SHIM	WIDE COLUMN / 3 DEEP+ (20 GA)		201107	
FLAT SHIM	20 OZ BOTTLE / 3 DEEP+		201125	513969
FLAT SHIM	3 DEEP+ / 16 GAUGE		201128	
12 OZ FORMED CAN SHIM	NARROW COLUMN / 16 OZ / 3 DEEP+		201106	518515
FORMED CAN SHIM	NARROW COLUMN / 3 DEEP+ (.375 THK)		201115	
FORMED SHIM	LEFT 3 DEEP+ WIDE COLUMN		201109	
FORMED SHIM	NARROW COLUMN / 3 DP+		201122	

MISCELLANEOUS

Part Name	Part Description	Code / Voltage	Royal Part #	Coke Part #
6 OZ CAN SHIM	NARROW COLUMN / 3 DP+ / MERLIN		201121	
10 OZ CAN SHIM	NARROW COLUMN / 3 DP+		201118	
12 OZ CAN SHIM	NARROW SHIM / 16 OZ / 3 DEEP+		201108	518514
NARROW SHIM	3 DEEP+ / 12 OZ CAN		201721	516936
NARROW SHIM	16OZ BOTTLE		201132	
W/A SHIM RIGHT	3 DEEP+ / .280 THICK		201160	514320
W/A SHIM LEFT	3 DEEP+ / .280 THICK		201170	514321
W/A SHIM LEFT	3 DEEP+ / POWERADE		201182	
W/A SHIM RIGHT	3 DEEP+ / POWERADE		201183	
WIDE SHIM RIGHT	3 DEEP+ MERLIN / 12 OZ CAN		201722	516938
WIDE SHIM LEFT	3 DEEP+ MERLIN / 12 OZ CAN		201723	516939
WIDE SHIM RIGHT	20 OZ BOTTLE / 3 DEEP+		201129	
WIDE SHIM LEFT	20 OZ BOTTLE / 3 DEEP+		201131	
SHIM HANGING ROD	NARROW		811006	504719
SHIM HANGING ROD	5/32 DIA X 33.5 LONG		811003	
SMALL WATER BOTTLE VEND KIT	79"MERLIN 4 (2.500")		256110	
SMALL WATER BOTTLE VEND KIT	72" MERLIN 4 (2.500")		257110	
FILLER PLATE KIT			118110	
12 OZ DASANI PET BOTTLE KIT	72 GII REAR COLUMN		096143	518763
12 OZ DASANI PET BOTTLE KIT	79 GII REAR COLUMN		095143	518764
12 OZ DASANI PET BOTTLE KIT	NARROW COLUMN - 3 DEEP+		058153	518767
12 OZ DASANI PET BOTTLE KIT - WIDE COL.	3 DEEP PRIOR TO 1352		058152	518766
12 OZ DASANI PET BOTTLE KIT - NARROW COL.	3 DEEP PRIOR TO 1352		058151	518765
12 OZ DASANI PET BOTTLE KIT - WIDE COL.	3 DEEP+ 16 OZ (510, 609, 540, 630)		202154	518772
12 OZ DASANI PET BOTTLE KIT - NARROW COL.	3 DEEP+ 16 OZ (510, 609, 540, 630)		202153	518771
12 OZ DASANI PET BOTTLE KIT - WIDE COL.	3 DEEP 16 OZ (510, 609, 540, 630)		202152	518770
12 OZ DASANI PET BOTTLE KIT - NARROW COL.	3 DEEP 16 OZ (510, 609, 540, 630)		202151	
12 OZ DASANI PET BOTTLE KIT	79 GIII FRONT COLUMN PRIOR TO 1463		231144	518762
12 OZ DASANI PET BOTTLE KIT	79 GIII FRONT COLUMN 1463 & AFTER		231143	518760
12 OZ DASANI PET BOTTLE KIT	72 GIII FRONT COLUMN PRIOR TO 1463		232144	518761
12 OZ DASANI PET BOTTLE KIT	72 GIII FRONT COLUMN 1463 & AFTER		232143	518759
12 OZ DASANI PET BOTTLE KIT - WIDE COL.	3 DEEP+		058154	518764

Harnesses

DOOR WIRING HARNESS	7 SEL CC MERLIN		012934	542182
DOOR WIRING HARNESS	6 SEL CC NARROW MERLIN		040915	
DOOR WIRING HARNESS	9 SELECT CC MERLIN (1207 & LESS)		143904	516932
DOOR WIRING HARNESS	9 SEL CC MERLIN CDC		163902	516933
DOOR WIRING HARNESS	7 SELECT CC MERLIN		141911	514859
DOOR WIRING HARNESS	7 SEL CC MERLIN C.D.C.		161902	508371
DOOR WIRING HARNESS	6 SELECT NV CC MERLIN		149905	
DOOR WIRING HARNESS	5 SELECT NARROW COKE MERLIN		150905	
DOOR WIRING HARNESS	5 SELECT CC MERLIN (540-5)		108901	
DOOR WIRING HARNESS	8 SEL PC/CD MERLIN C.D.C.		195902	513994
DOOR WIRING HARNESS	9 SELECT CC REGULAR (1207 & LESS)		015505	503666

MISCELLANEOUS

Part Name	Part Description	Code / Voltage	Royal Part #	Coke Part #
DOOR WIRING HARNESS	7 SELECT CC REG (1207 & LESS)		010576	505068
DOOR WIRING HARNESS	6 SELECT NV CC REGULAR (1207 & LESS)		036511	505451
DOOR WIRING HARNESS	6 SEL WIDE CC REG.		027504	
CABINET WIRING HARNESS	9 SELECT CC MERLIN		017904	513993
CABINET WIRING HARNESS	9 SELECT CC 618-9 MERLIN		220901	
CABINET WIRING HARNESS	7 SELECT CC MERLIN		012907	517683
CABINET WIRING HARNESS	6 SELECT NV CC MERLIN		040903	
CABINET WIRING HARNESS	5 SELECT CC (540,630) MERLIN		114701	
CABINET WIRING HARNESS	9 SELECT CC REGULAR		015717	500239
CABINET WIRING HARNESS	7 SELECT CC REGULAR		010752	500240
SELECT PANEL HARNESS	9 SELECT CC MERLIN		143901	513418
SELECT PANEL HARNESS	8 SEL COKE MERLIN C.D.C.		169901	517092
SELECT PANEL HARNESS	8 SEL CC NON-SEQUENCED MERLIN		154901	
SELECT PANEL HARNESS	7 SELECT CC MERLIN		141906	510543
SELECT PANEL HARNESS	6 SEL 282 N-/6 SEL WIDE CC MERLIN		149903	518609
SELECT PANEL HARNESS	5 SEL NV CC (310-5) MERLIN		153901	
EXTERNAL D.E.X HARNESS	5.09 AND HIGHER, 10.00, 11.00 (EXTERNAL)		842119	
DEX ROYAL HARNESS	ROYAL -- DEX (INTERNAL)		842099	520223
DEX HARNESS	GII VII MIS / INTERNAL DEX		842148	516498
PHONE JACK HARNESS ASSY	GII INTERNAL CSA 1204 AND AFTER		842110	545249
EXTERNAL PHONE JACK	GII / GIII RUN 1166 AFTER		842095	508024
IRON FERRITE JUMPER ASSY	FOR BOARD		011103	509936
IRON FERRITE JUMPER ASSY	FOR BALLAST		010175	509938
INTERFACE MOTOR HARNESS	VERSION 1 OR 2 TO VERSION 5 OR 6		842065	502381
INTERFACE VALIDATOR HARNESS	VERSION 1 OR 2 TO VERSION 5 OR 6		842066	502380
TRANSFORMER HARNESS	GII VII / GIII		842147	507782
TRANSFORMER HARNESS ASSY	ALL 220V EXCEPT	NI / ML / UK	842220	
TRANSFORMER HARNESS ASSY	240V	NI / ML / UK	842221	
HARNESS ASSY	DOOR SWITCH GII / GIII PRIOR TO 1521		842047	509815
VEND SELECT HARNESS ASSY.	GII / GIII		842044	541302
HOME SENSOR DOOR SWITCH	NON CDC GIII+ RUN 1521 & AFTER		842228	517713
MOTOR/ENCODER LINE HARN. ASSY	MOTOR HARNESS GII (CABINET SIDE)		842082	
MOTOR/ENCODER HARNESS ASSY	BOARD HARNESS GII (DOOR SIDE)		842083	509702
DOOR SWITCH ACTIVATOR			231009	520647
HARNESS ASSY HOME SW/DOOR	NON CDC GIII+ EXCEPT CCR PRIOR TO 1521		842080	543369
POWER LEAD	FEMALE END FROM LINE FILTER		842030	
REFRIGERATION /RELAY HARNESS	CABINET SIDE		842237	514612
REFRIGERATION /RELAY HARNESS	DOOR SIDE		842236	514346
REFRIGERATION RELAY HARNESS	WIDE DOOR SIDE CDC MERLIN III		842235	
HARNESS ASSEMBLY	LAPTOP TO DEX PHONE JACK		842187	
FLEXIBLE TUBING	1" DIA X .028 WALL		825001	
FLEXIBLE TUBING	3/8" DIA X .028 WALL		825002	
FLEXIBLE TUBING	3/4" DIA X .028 WALL		825003	
FLEXIBLE TUBING	1/4" DIA X .028 WALL		825023	
FLEXIBLE TUBING	1 1/4 " DIA		825040	
.187 RECEPT.	1 WIRE / TERMINAL END		940001	

MISCELLANEOUS

Part Name	Part Description	Code / Voltage	Royal Part #	Coke Part #
.187 RECEPT.	2 WIRE / TERMINAL END		940002	
HOUSING 3 WAY	FOR MINI SWITCH		940003	
RELAY TERMINAL	REG. .187 FOR RELAY SOCKET		940005	
HOME SEN/DOOR SW/CHUTE SEN	CCR ONLY PRIOR TO 1521		842212	
HOME SENSOR DOOR SWITCH	HARNESS CDC / CCR		842229	1066079
HARNESS ASSY/TRANSFORMER	RUN 1204-0646 AND AFTER GII		842107	500587
HARNESS ASSY/ TRANSFORMER	INLINE TO TRANS. RUN 1290 AND AFTER GII		842142	502215
CHANGER PLUG HARNESS	C.D.C. FOR "L" CHANGER RUN 1374 AFTER		195906	520222
CHANGER PLUG HARNESS ASSY	MERLIN		010914	510542
COIN CHANGER RECEPTACLE	ELECTRO-MECH/JONES PLUG TERMINAL		940004	
COIN CHANGER SOCKET	ELECTRO-MECH/JONES PLUG HOUSING		940009	
15 WAY CHANGER SOCKET	MERLIN		840059	
TEMPERATURE SENSOR HARNESS	20 PLUS MARKETING (DOOR SIDE)		822048	
HARNESS SERIAL CHANGER EXTENSION	20 PLUS MARKETING (KO CONTROLLER)		842244	521414
13 SELECTION HARNESS	20 PLUS MARKETING		842242	1065625
12 COLUMN MECH. HARNESS	20 PLUS		842241	
POWER SUPPLY	20 PLUS MARKETING (DOOR SIDE)		842239	
POWER SUPPLY	20 PLUS MARKETING (CABINET SIDE)		842238	
REFRIGERATION CONTROL RELAY HARNESS	20 PLUS MARKETING (CABINET SIDE)		842237	514612
REFRIGERATION CONTROL RELAY HARNESS	20 PLUS MARKETING (DOOR SIDE)		842235	
MAIN WIRING HARNESS	20 PLUS		842234	
DOOR MECH. HARNESS	20 PLUS MARKETING (KO CONTROLLER)		842232	
FRENCH CHANGE HARNESS	MERLIN EXECUTIVE MECH	FR	011119	
FRENCH CHANGE RELAY HARN.	MERLIN EXECUTIVE MECH	FR	011118	

Accessories

DEBIT CARD READER KIT	72" GII V II / GIII ONLY		147515	510733
KEY SWITCH LOCK KIT	ELECTROMECHANICAL		012151	507835
KEY SWITCH LOCK KIT	GII		011126	502777
KEY SWITCH LOCK KIT	GIII		231107	515352
KEY SWITCH LOCK KIT	GIII KO CONTROLLER AND TDV		290007	522920
INVENTORY PARTS KIT	GIII		210054	
SMALL PACKAGE EXTRUSION KIT	79" SINGLE FRONT COL PRIOR RUN 1379 GIII		210790	509786
SMALL PACKAGE EXTRUSION KIT	79" SINGLE REAR COL PRIOR RUN 1379 GIII		210795	509788
SMALL PACKAGE EXTRUSION KIT	79" SINGLE FRONT COL AFTER 1379 TO 1463 GIII		210770	509787
SMALL PACKAGE EXTRUSION KIT	79" SINGLE REAR COL AFTER RUN 1379 GIII		210780	509789
SMALL PACKAGE EXTRUSION KIT	79 F COL. AFTER 1464 EXCEPT 1465 & 1467		211725	
SMALL PACKAGE EXTRUSION KIT	72" SINGLE FRONT COL PRIOR RUN 1379 GIII		211740	509782
SMALL PACKAGE EXTRUSION KIT	72" SINGLE REAR COL PRIOR RUN 1379 GIII		211750	509784
SMALL PACKAGE EXTRUSION KIT	72" S. FRONT COL AFTER 1379 THRU 1463 GIII		211720	509783
SMALL PACKAGE EXTRUSION KIT	72" SINGLE REAR COL AFTER RUN 1379 GIII		211730	509785
SMALL PACKAGE EXTRUSION KIT	72 F COL. AFTER 1464 EXCEPT 1465 & 1467		210775	
VEND COUNTER ASSEMBLY	110 VOLT		010150	544258
LAMP RELAY KIT	CDC		161110	517669
DEBITEK PLATE ASSEMBLY	FOR MOUNTING CARD READER (DEBITEK)		141103	515951

MISCELLANEOUS

Part Name	Part Description	Code / Voltage	Royal Part #	Coke Part #
-----------	------------------	----------------	--------------	-------------

Screws, Bolts, Washers, Etc.

SCOTCH LOCK CONNECTOR	WIRE CONNECTOR		942128	
#6-32 X 1/4 PHILIP	BRASS SCREW		901013	
BUSHING 1/2	HEYCO B-500-375		916002	543609
CABLE CLAMP	5/16 R		916014	
CARRIAGE BOLT	1/4-20 X 1/2 LG EMPIG.		901007	508046
CARRIAGE BOLT	1/4-20 X 1" LG EMPIG.		901008	510561
CARRIAGE BOLT	1/4"-20 X 3/4" LG. (FOR LOCK COVER)		901045	
FLAT WASHER	3/8 ID X 3/4 - 7/8 OD GVN STEEL		904002	
FLAT WASHER	3/4 OD X 5/16 ID X 1/16 THK		904006	
FLAT WASHER NYLON	7/16 ID X .875 OD X .045 THK		904001	
WELL NUT	FOR EVAP. FAN MOTOR		905026	510483
GROOVE PIN	5/32 DIA X 1 1/16		906003	517468
GROOVE PIN	5/32 DIA X 3/4 LONG		906004	544293
KEPS NUT	#8-32 W/EX TOOTH WS		905001	509937
KEPS NUT	1/4-20 W/EX TOOTH WS		905002	508373
NYLINER 1/2	THOMSON 8L2-FF TYPE7		916010	544289
NYLINER 1/2	THOMSON 616-F TYPE5		916012	542147
NYLINER 3/8	THOMSON 6L2-FF TYPE7		916011	
POP RIVET	1/8 DIA X .250 GRIP SS		908001	
POP RIVET	3/16 DIA X .190 GRIP SS		908002	
POP RIVET	1/4 DIA X .19 GRIP ALUM		908003	521271
POP RIVET	1/8 DIA X .19 GRIP ALUM		908018	
RETAINING RING	FOR 5/32 DIA ROD		906005	504230
S/M SCREW	#4 X 3/4 LG TYPE B		902002	544295
S/M SCREW	#4 X 1 1/8 LG TYPE B		902003	
S/M SCREW	#4 X 5/8" TYPE B PAN HEAD PHILLIPS		902009	
SELF DRILLING SCREW	#8 X 1/2 W/1/2 OD WAS		902001	
SELF TAPPING SCREW	#10-31 X 1" PAN HEAD PHILLIPS		901027	
SEMS CAP SCREW	1/4-20 X 1" LG		901003	504724
SEMS SCREW	#8-32 X 1/2 LG		901002	
SEMS SCREW	# 6-32 X 3/8 LG		901004	544103
SEMS SCREW	#8-32 X 1/2 LG W/FL W		901006	520642
SEMS SCREW	#8-32 X 3/8		901011	
SEMS SCREW	#8-32 X 1/2 HEX HD SLOTTED		901012	
SCREW	THREAD CUTTING , FLAT HD PHILLIPS TYPE F		901046	
THREDSTUD	#8-32 X 1/2 LONG		906010	
THREDSTUD	#8-32 X 7/8 LONG		906002	
U CLAMP	FOR TOP FAN HOUSING		906007	511705
WELD NUT	#5/8-11		907002	
WELD NUT	#1/4-20		907003	
WELD NUT	SPADE TYPE .218 DIA.		907004	
WELD NUT	ROUND HD. .218 DIA		907005	
WELD NUT	ROUND HD 1/4 DIA 1" LG		907006	

MISCELLANEOUS

Part Name	Part Description	Code / Voltage	Royal Part #	Coke Part #
WIRE TIE	5" LONG		916063	
WIRE TIE SMALL	PANDUIT SST1.5M		916007	
CHRISTMAS TREE CLIP	SIGNS		916009	530934
MACHINE SCREW	10-24 X 4 PPH GII		901019	
6-32 X 1/5 MACH SCREW	6-32 X 1 1/2 ZINC GII		901023	514969
10-24 X .50 MACH SCREW	GII		901024	
MACHINE SCREW G-II	2-56 X 3/16" ROUND HEAD PHILLIPS GII		901028	
6-32 X 1/2 MACH SCREW	GII		901029	
8-32 SELF LOCKING HEX NUT	11/32 NUT GII		905004	
1/4 SS RETAINING RINGS	FOR RELEASE LEVER GII		906013	501173
POP RIVET G-II	1/8 DIA X .328 GRIP SS GII		908007	
.265 POP RIVET SSD42SSBS	1/8 DIA .265 FRIP SS GII		908009	
PUSH MOUNT	CLAMP GII		916042	502378
WIRE NUT	GII		940057	
WIRE CLAMP	G II		916053	
BUTTON SPRING	FOR COKE PUSH BUTTON VRD		914004	500065
HOUSING .187	SINGLE INSULATION		940006	
MATE-N-LOK PIN	MALE TERMINAL		940007	
MATE-N-LOK SOCKET	FEMALE TERMINAL		940008	
15 WAY CAP	FEMALE / MATE-N-LOK		940011	
15 WAY PLUG	MALE / MATE-N-LOK		940012	
.187 ULTRA FAST	1WIRE / FOR PC S.O. LIGHTS / PINK BOOTY		940016	
9 WAY CAP	FEMALE / MATE-N-LOK		940019	
9 WAY PLUG	MALE / MATE-N-LOK		940020	
2 WAY CAP	FEMALE / MATE-N-LOK		940021	
2 WAY PLUG	MALE / MATE-N-LOK		940022	
.187 ULTRA FAST	2-WIRE / FOR PC S.O. LIGHTS / BLUE BOOTY		940023	
TOP DOOR BUSHING	.438 ID X .556 OD X .38		803003	520224
GROUNDING STANDOFF	SPACER, BOTTOM RIGHT CONTROL BOARD GII		906016	
SPACER SUPPORT, NYLON	USED TO MOUNT GII / GII VII CONTROL BOARD		916066	510342

Conversion Kits

CONVERSION KIT	12OZ CAN (510/609) W/N COL. W/S/O PAD.		201120	513364
CONVERSION KIT	12 OZ CAN / 3 DEEP+		201191	
CONVERSION KIT	12 OZ CAN 3DP 540/630 EV W-0/S-O PADDLES		201192	
CONVERSION KIT	12 OZ CAN 3DP 540/630 EV W/S-O PADDLES		201193	
CONVERSION KIT	12 OZ CAN 3 DP 5120/609 EV W-0/S-O PADDLES		201197	513926
CONVERSION KIT	12 OZ CAN 3DP +540/630 EV W-0/S-O PADDLES		201194	
CONVERSION KIT	12 OZ CAN 3DP +510/609 EV W/S-O PADDLES		201196	520467
MERLIN CONVERSION KIT	COKE VERSION 5 TO VERSION 10.00		141106	

Manuals

MANUAL	ELECTRO-MECH		010127	
MANUAL	MERLIN 2000		833003	

MISCELLANEOUS

Part Name	Part Description	Code / Voltage	Royal Part #	Coke Part #
MANUAL	G II REGULAR		833001	
MANUAL	3 BUTTON MERLIN III		833007	
MANUAL	4 BUTTON MERLIN III		833006	
MANUAL	GIII-MERLIN III / MINI MANUAL(OLD STYLE OR EVS)		833008	
MANUAL	GII VII / 4 BUTTON		833009	
MANUAL	GIII		833010	513858
MANUAL	GIII EVS		833025	
MANUAL	MERLIN 4		833018	
MANUAL	MERLIN 4 MINI MANUAL		833020	
MANUAL	TDV 3 BUTTON		833048	
MANUAL	TDV 4 BUTTON		833030	
MANUAL	GII EVS MANUALS SPANISH		833026	
MANUAL	GII EVS MANUALS FRENCH		833027	
MANUAL	GII EVS MANUALS DUTCH		833028	

Locks & Keys

COKE LOCK-2 KEYS	KEYED RVC 201		812029	515561
COKE LOCK-2 KEYS	KEYED RVC 202		812030	515562
COKE LOCK-2 KEYS	KEYED RVC 203		812031	515563
COKE LOCK-2 KEYS	KEYED RVC204		812217	511752
COKE LOCK-2 KEYS	KEYED RVC 205		812218	513675
COKE LOCK-2 KEYS	KEYED RVC 206		812219	513676
COKE LOCK-2 KEYS	KEYED RVC 207		812368	
COKE LOCK-2 KEYS	KEYED RVC 208		812369	
LOCK ONLY	#RVC 201		812122	503640
LOCK ONLY	#RVC 202		812123	503641
LOCK ONLY	#RVC 203		812124	503642
LOCK ONLY	#RVC 204		812246	
LOCK ONLY	#RVC 205		812247	514697
LOCK ONLY	#RVC 206		812248	515564
1 KEY COKE	RVC 201		912112	542179
1 KEY COKE	RVC 202		912113	500066
1 KEY COKE	RVC 203		912114	542181
1 KEY COKE	RVC 204		812241	514736
1 KEY COKE	RVC 205		812242	513678
1 KEY COKE	RVC 206		812243	513679
1 KEY COKE	RVC 207		812371	
1 KEY COKE	RVC 208		812372	
1 KEY	CHICAGO LOCK # XX-4331		912270	

Control Boards / Chips

CONTROL BOARD	1.16A		836031	516905
CONTROL BOARD	2.16A		836032	505760
CONTROL BOARD	5.11		836052	500197

MISCELLANEOUS

Part Name	Part Description	Code / Voltage	Royal Part #	Coke Part #
CONTROL BOARD	6.11 (INTERNATIONAL)		836050	513431
CONTROL BOARD	10.07 COKE		836066	505096
CONTROL BOARD	GIII KO PROGAMMING		836125	522877
CONTROL BOARD	GII VII EVS WARRANTY REPLACEMENT ONLY		W836109	
CONTROL BOARD	P.C. BOARD ASSY MERLIN IV		836134	517807
CONTROL BOARD	MERLIN 4 (VERSATILE)		836094	
CONTROL BOARD	COINCO 408084-12 (KO CONTROLLER) TDV		836126	520179
CONTROL BOARD CHIP	5.11		836048	
CONTROL BOARD CHIP	6.11 (INTERNATIONAL)		836049	
CONTROL BOARD CHIP	10.07		836067	513904
CONTROL BOARD CHIP	GII VII		836082	513944
CONTROL BOARD CHIP	GII VII EVS		836117	521528
CONTROL BOARD CHIP	GII E PROM 9		836061	501757

Lamps & Accessories

LAMP RELAY KIT	CDC		161110	517669
LAMP RELAY KIT	NON CDC		141160	510432
LAMP SOCKET ASSY.	COKE TOP		010567	544252
LAMP SOCKET ASSY.	COKE BOTTOM		010568	544251
LAMPHOLDER HO	#523 TOP COKE SPRING		842001	543319
LAMPHOLDER HO	#523 BOTTOM COKE		842002	505762
CORRECT CHANGE LAMP	ELECTRO-MECH		841010	543319
BALLAST PANEL	CCR		290531	

Labels & Decals

INSTRUCTION DECAL	MERLIN III VERSION 10.00 (4 BUTTON)		931204	508022
VALIDATOR LABEL	DUTCH	NE / BE	831176	
VALIDATOR LABEL	FRENCH	CN / FR / BE	931095	
DECAL	12 COL. ASSIGNMENT		931333	516781
DECAL	VENDOR CONTROLLER GIII/GIII+		931352	1066305
LABEL, BOTTLE	DOOR PORT GIII		931355	518442
LOADING DECAL	GIII (ENGLISH ONLY)		931303	
LOADING DECAL	GIII AUSTRALIA	AS / NZ	931305	
SELECTION DECAL	MERLIN-SOLD OUT-CORRECT CHANGE		931055	503492
SELECTION BUTTON DECAL	BLACK DECAL AROUND SELECT BUTTON		845383	505058
DECAL SELECT BUTTON COVER	GII		815082	
COIN MECH LABEL	REGULAR		931030	
COIN MECH LABEL	MERLIN		931088	502387
MADE IN THE USA LABEL	FOR BACK OF CABINET		931027	
CHANGE LABEL	CENTER DOOR CHANGER		931341	508493
FUSE BOX LABEL	3 AMP		931113	
SECURITY PLATE DECAL	CC ELECTRONIC C.D.C.		845467	507154
SECURITY PLATE DECAL	CC ELECTRONIC VANDAL RESISTANT		845396	
SECURITY PLATE DECAL	CC REG VANDAL RESISTANT		845397	505274

MISCELLANEOUS

Part Name	Part Description	Code / Voltage	Royal Part #	Coke Part #
SECURITY PLATE DECAL	FRENCH CANADIAN		845880	520242
SECURITY PLATE DECAL	DR PEPPER		845765	519323
SECURITY PLATE DECAL	CDC REGULAR		845468	508883
SECURITY PLATE DECAL	COKE HOLLAND	NE / BE	845606	
SECURITY PLATE DECAL	MERLIN CC CDC HOLLAND	NE / BE	845996	
SECURITY PLATE DECAL	VRD REG SPANISH	SP	845448	
SECURITY PLATE DECAL	VRD ELECTRONIC SPAIN	SP	845447	
SECURITY PLATE DECAL	CC / VRD / FRENCH / ELECTRONIC VENDOR	CN / FR / BE	845937	
PRICE DECAL SHEET	25¢ TO 75¢ COKE		931248	
PRICE DECAL SHEET	75¢ TO \$1.25 COKE		931249	
PRICE DECAL SHEET	MERLIN .25 / .30 / .35 ELECTRONIC		831070	
PRICE DECAL SHEET	.40 - 1.00 WHITE/ELECTRONIC		931044	
PRICE DECAL SHEET	.40 - 1.50 YELLOW/ELECTRONIC		831056	511584
PRICE DECAL SHEET	CANADIAN 75¢-\$1.75		931266	
PRICE DECAL SHEET	CANADIAN \$1.80 -\$2.50		931267	
PRICE DECAL SHEET	.25 - \$1.25 BLACK W WHITE LETTERING (CCR)		831391	
PRICE DECAL SHEET	\$0.75		931365	
PRICE DECAL SHEET	\$1.00		931366	
PRICE DECAL SHEET	\$1.25		931367	
PACKAGING DECAL SHEET	CANADIAN	CN	931263	
PACKAGING DECAL SHEET	COKE		931250	
TIP DECAL	FRENCH	CN / FR / BE	931330	520246
GROUND DECAL	ALL INTERNATIONAL I.E.C. VENDORS		931101	
LABEL INTERCONNECT	220 / 240 V GIII / GIII+		931325	
WIRING DIAGRAMS	GII/GIII / WIRING DIAGRAM		931356	517682

Stack Accessories

NARROW SPACER	10 OZ 3 DEEP		201708	
SPACER	GIII .072 LENGTH		915239	
SOLD OUT BAR	8 SELECT		010733	
SOLD OUT PADDLE	NARROW		010731	59817
SOLD OUT PADDLE	WIDE		010729	504453
SOLD OUT COVER	WIDE		010033	510566
ROTOR RETAINER	NARROW MOTORS		010746	508795
REAR SOLD OUT SPRING	G II		914012	501175
FRONT SOLD OUT SPRING	G II		914011	501174
SOLD OUT SENSOR LEVER REAR	G II		915126	501177
SOLD OUT SENSOR LEVER FRONT	G II		915127	500506
SUPPORT RACK GII/GII+	PER AL GIII & GIII+		281001	
CAM	3-DEEP OSCILLATOR		815048	500395
CAM	3-DEEP ROTOR		815049	500396
CAM	2 DEEP		815027	544297
SWITCH INSULATOR SPACER	FOR SOLD OUT SWITCHES		815016	

MISCELLANEOUS

Part Name	Part Description	Code / Voltage	Royal Part #	Coke Part #
-----------	------------------	----------------	--------------	-------------

Electronic Accessories

CIRCUIT BOARD TEST BOX	TO TEST CONTROL BOARDS		011129	
CIRCUIT BOARD COVER	MERLIN III / METAL VRD		141903	510547
CIRCUIT BOARD RECEPT.	MERLIN TRANSFORM / 640251-2 / 2-WAY		940026	
CIRCUIT BOARD RECEPT.	OPTIONS / 640251-6 / 6-WAY		940028	
CIRCUIT BOARD RECEPT.	SELECT PANEL / 1-640251-2 / 12-WAY		940030	
CIRCUIT BOARD RECEPT.	COIN MECH / 1-640251-3 / 13-WAY (OLD)		940031	
CIRCUIT BOARD RECEPT.	MOTORS / 1-640251-5 / 15-WAY		940032	
CIRCUIT BOARD RECEPT.	COUNTER-ALARM / 640251-3 / 3-WAY		940036	
CIRCUIT BOARD TERMINAL	MERLIN / 640252-1		940034	508598
COIN INLET SENSOR	GIII	AS / NZ	836100	
.250 FASTON RECEPTACLE	1 WIRE		940075	
.250 FASTON RECEPTACLE	2 WIRE		940054	
.250 TERMINAL	2-WIRE BOOT		940038	
.250 ULTRA FAST	1-WIRE BOOT		940039	
.250 HOUSING			940049	
FUSE BOX ASSY	MERLIN 3 AMP GII GIII		842219	510071
FUSE	FOR FUSE BOX		842059	508010
FUSE	FOR TRANSFORMER		842135	505247
FUSE	MERLIN--OLD BOARD		942021	505086
FUSE BOX ASSY	MERLIN 4 AMP		012166	
FUSE BOX ASSY WITH LEAD	MERLIN 3 AMP GII / GIII		095114	
TRANSFORMER ASSY	MERLIN CDC		010572	513220
TRANSFORMER ASSY 75VA	MERLIN BASLER BE122775GEB		010572	513220
TRANSFORMER ASSY KIT	GII (RUN 1204-0645 AND BEFORE)		095113	541297
BALLAST FILTER KIT	GII / GIII		095180	530130
LAMP RELAY KIT	NON CDC		141160	510432
HEATER PAD KIT	NEW STYLE		290133	
SEQUENCE RELAY	COKE / REGULAR VENDOR		836002	541620
VEND RELAY	ELECTRO-MECH		836001	541304
24V TRANSFORMER COVER	ALL VENDORS		010063	501751
KEY SWITCH LOCK KIT	NO VEND		012156	505503
FREE VEND SWITCH KIT	FREE VEND		012154	510541
FREE VEND SWITCH KIT ASSY	KO PROGRAMMING		290007	522920
FREE VEND SWITCH KIT ASSY	ALL GII VII / GIII VENDORS		231107	515352
CHUTE SENSOR ADAPTER KIT	GII		095140	
KEY SWITCH LOCK	MERLIN II & GII		011126	502777
VEND COUNTER ASSEMBLY	MERLIN 1.16A AND UNDER		010193	545499
COUNTER ASSEMBLY	INTERNATIONAL	CI / AG	095111	

Trim

SIGN TRIM	ANGLED 15"		815243	
SIGN TRIM	ANGLED 18"		815244	

MISCELLANEOUS

Part Name	Part Description	Code / Voltage	Royal Part #	Coke Part #
SIGN TRIM	ANGLED 26"		815245	
SIGN TRIM	ANGLED 70"		815246	
SIGN TRIM	ANGLED 77"		815247	516651
TRIM--COKE/TUFF GUY	79.5"		171520	516831
TRIM--COKE/TUFF GUY	72"		172510	514170

Door Accessories

WATER SHIELD	COIN INSERT		012530	544242
P.O.S. WINDOW ASSY	FOR VALIDATOR PLATE		141150	510348
LAMP GUARD	WIDE /CENTER OF DOOR		012514	507738
LAMP GUARD	NARROW (PANEL) CDC		040501	
SPRING PLATE			010511	541460
FLAVOR CARD RETAINER	COKE /V.R.D. , C.D.C. & T.G.		141537	
LEVER ACTIVATOR	GII / RELEASE LEVER		809019	510552
SCAVENGER LEVER	GII / COIN RETURN LEVER		810001	541429
SECURITY PLATE/CAN STOP W/A	FOR VENDORS VENDING 12 OZ CANS		011591	513106
HOUSING FOR BOARD	GII		095530	502600
CONTROL BOARD COVER	GII		815260	545262
COIN INSERT COVER	VENDORS W CAST IRON COIN INSERT		012119	
CHANGER PLUG BRACKET	MERLIN		010561	
HARNESS ASSY SERIAL CHANGER	SERIAL CHANGER HARNESS / FROM BOARD		842079	508014
CHANGER DOOR ASSY.	COKE		011580	545012
CHANGER DOOR	ALL VENDORS (EXCEPT CDC/DP V4)		010544	543302
CHANGER DOOR LATCH ASSY.	ALL		011152	504713
CHANGER DOOR HINGE ASSY	BOTTOM		010560	504304
CHANGER DOOR HINGE ASSY	TOP		010570	504303
GLENVIEW DOUBLE BAG SYSTEM	LARGE BAG W/CHUTE		812162	
GLENVIEW DOUBLE BAG SYSTEM	CDC		812220	
GLENVIEW DOUBLE BAG SYSTEM	WIDE MOUTH W/LARGE BAGS CDC		812268	
GLENVIEW DOUBLE BAG SYSTEM	WIDE MOUTH W/LARGE BAGS NON-CDC		812269	
GLENVIEW BAG GUARD			012125	
HONOR GUARD CHUTE ASSEMBLY	ALL NARROW EXCEPT 57"		010130	
IEC SWITCH REPAIR KIT	KIT	ALL INT'L IEC	141132	
SWITCH BRACKET 9 SEL COKE	COKE 9 SELECT		015502	541438
SWITCH BRACKET 7 SEL COKE	COKE 7 SELECT		010547	541443
SWITCH BRACKET 6 SEL COKE	COKE 6 SELECT		027502	503353
SWITCH BRACKET 5 SEL COKE	COKE 5 SELECT		039502	