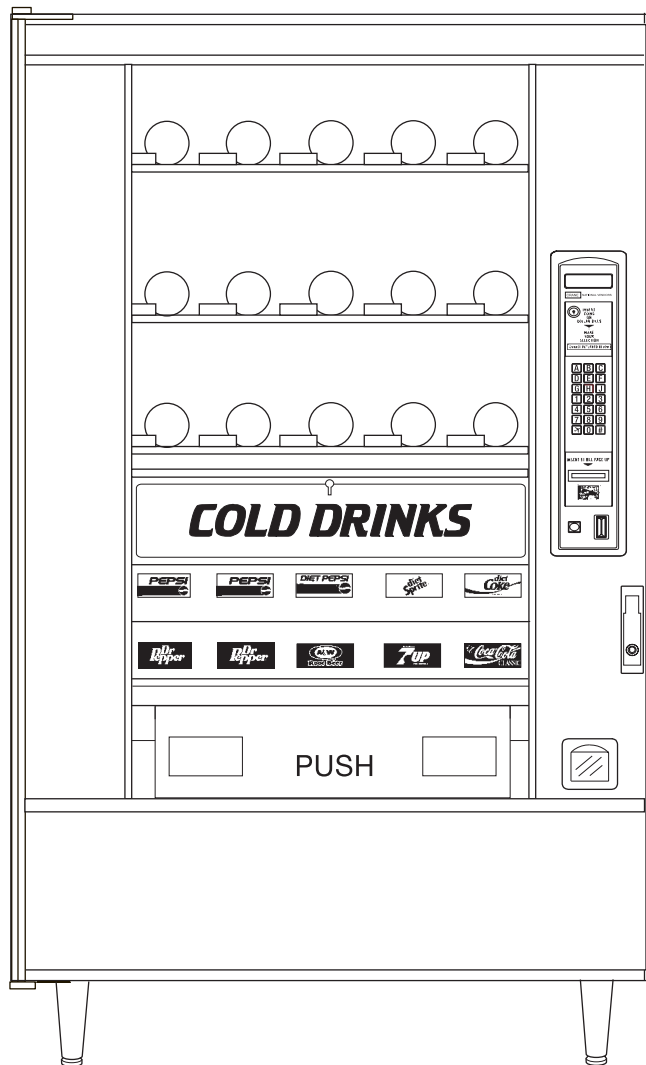


Models 797, 798

Expanded Snack Center



PARTS MANUAL

LIST OF FIGURES

FigurePage

1.	797/798 Merchandiser	1
2.	Trim - Millennia Style (Part 1 of 3)	2
3.	Trim - Millennia Style (Part 2 of 3)	4
4.	Trim - Millennia Style (Part 3 of 3)	6
5.	797 Trim Panels	8
6.	797 Standard Trim.....	12
23.	Millennia Door Assembly	22
24.	Standard Door Assembly	24
25.	Upper Door Light Assembly - 115 V.....	26
26.	Upper Door Light Assembly - 230 V.....	28
27.	Glass Retainer With Side Light - Food Option	30
28.	Fluorescent Light Side Assembly With Cover	32
29.	Glass Retainer - Can Option	34
30.	Lower Glass Support Panel Assembly	36
31.	Door Glass and Glass Retaining Components.....	37
32.	Upper Door Light Mounting.....	38
33.	Lower Glass Support Panel.....	39
34.	Coin Receptacle Assemblies.....	40
35.	Millennia Door Lock and Handle Assembly.....	42
36.	Door Lock and Handle Assembly.....	44
37.	Door Lock Guard Accessory	46
38.	Delivery Pan Assembly (Part 1)	48
39.	Delivery Pan Assembly (Part 2) - Food Option Only.....	50
40.	Delivery Pan Solenoid Lock Assembly - Food Option Only	52
41.	Gum and Mint Assembly (Part 1).....	54
42.	Gum and Mint Assembly (Part 2).....	56
43.	Gum and Mint Assembly (Part 3).....	58
44.	Common Cabinet (Part 1 of 2).....	60
45.	Common Cabinet (Part 2 of 2).....	62
46.	Base Plate Assembly.....	64
48.	Leg, Leveler, and Leg and Hinge Assemblies	66
49.	Power Panel Assembly - 115 Volt	68
50.	Power Panel Assembly - 230 Volt (France, Germany, Sweden).....	70
51.	Power Panel Assembly - 230 Volt (U.K., China)	72
52.	Power Panel Assembly - 230 Volt (N.Z./Arg./Brz./L.A. 230/S.A. 230.....	74
53.	Power Panel Assembly - Arg./Brz./L.A. 230 (Old Style)	76
54.	Power Panel Assembly - Aus./N.Z. (Old Style)	78
55.	Power Panel Assembly - 100 Volt - 50/60 Hz. (Japan)	80
56.	Power Panel Assembly (Mexico)	82
57.	Monetary Panel Assembly (Part 1 of 3)	84
58.	Monetary Panel Assembly (Part 2 of 3)	86
59.	Monetary Panel Assembly (Part 3 of 3)	88
60.	Monetary Inserts - Upper Position	90
61.	Monetary Inserts - Lower Position	91
62.	Card Reader and Bill Validator Combinations.....	92
63.	Snack Tray Assembly (Part 1 of 2)	96
64.	Snack Tray Assembly (Part 2 of 2)	98
65.	Candy Tray Assembly (Part 1 of 2).....	100
66.	Candy Tray Assembly (Part 2 of 2).....	102
67.	Gum and Mint Tray Assembly (Part 1 of 2)	104
68.	Gum and Mint Tray Assembly (Part 2 of 2)	106

Expanded Refreshment Center Parts Manual

FigurePage

69.	10-Select Can Option	108
70.	Can Module Assembly	110
71.	Frame Assembly	112
72.	Miscellaneous Internal Parts	114
73.	Ejector and Motor Assembly	116
74.	Cabinet Parts - Expanded Food	118
75.	Door Assembly - Food Module	120
76.	Cold Food Module Assembly	122
77.	Motor to Drive Arm Assemblies Connection Detail	124
78.	Food Module Door Frame Assembly	126
79.	Left Hand Drive Arm Assembly	128
80.	Right Hand Drive Arm Assembly	130
81.	Drive Arm Assembly Attachment Details	132
82.	Motor Mounting Bracket Assembly	134
83.	Food Module Cabinet Interior - Right Side (Part 1 of 2)	136
84.	Food Module Cabinet Interior - Right Side (Part 2 of 2)	138
85.	Cabinet Interior - Left Side View	140
86.	Food Module Cabinet Interior - Section	142
87.	Food Module Tray Frame Assembly	144
88.	Spiral Tray Assembly - 5, 6, and 9 Motor	146
89.	Belt Module Tray Assembly	148
90.	Belt and Support Assembly - Single	150
91.	Belt and Support Assembly - Dual	152
	156	
	157	
	158	
	159	
	160	
	161	
	162	
	163	
	164	
	165	
	166	
	167	
	168	
	169	
	170	
	171	
	172	
	173	
	174	
	175	
	176	
	177	
	178	
	179	
	180	

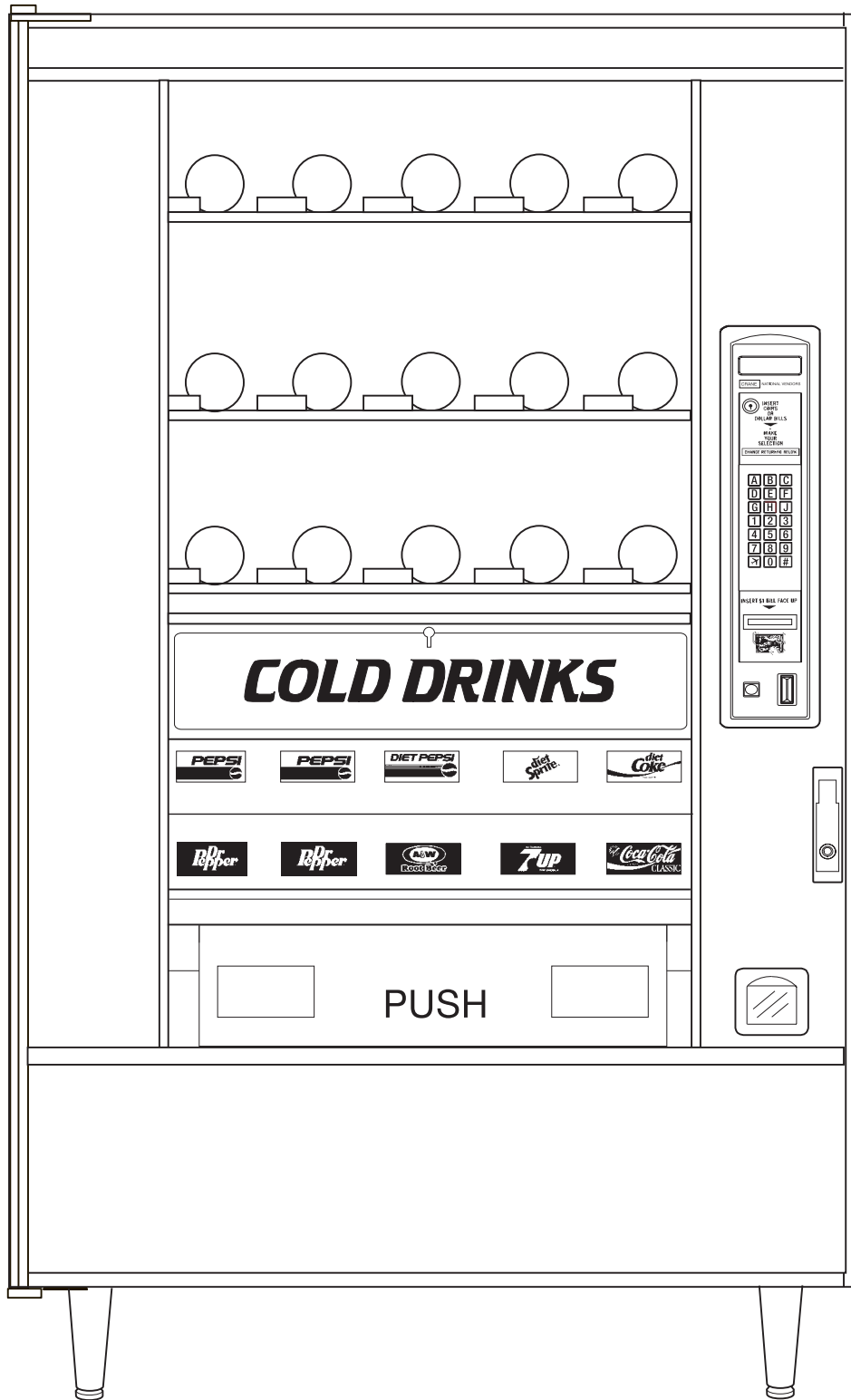
LIST OF TABLES

TABLE	PAGE
1.	TRIM - MILLENNIA STYLE (PART 1 OF 3) 3
2.	TRIM - MILLENNIA STYLE (PART 2 OF 3) 5
3.	TRIM - MILLENNIA STYLE (PART 3 OF 3) 7
4.	797 TRIM PANELS 9
4 A.	TOP TRIM PANEL 9
4 B.	RIGHT SIDE TRIM PANEL 9
4 C.	BOTTOM TRIM PANEL 10
4 D.	LEFT SIDE TRIM PANEL 11
5.	797 STANDARD TRIM 13
6.	BAG ASSEMBLY B4970000 - CAN - 15 (U.S.) 14
7.	BAG ASSEMBLY B4970006 - FOOD - 15 (U.S.) 14
8.	BAG ASSEMBLY B4980001 - CAN - 1 (U.K.) 15
9.	BAG ASSEMBLY B4980007 - FOOD - 1 (U.K.) 15
10.	BAG ASSEMBLY B4980000 - CAN - 6-7-8 (FRANCE/GERMANY/SWEDEN) 16
11.	BAG ASSEMBLY B4980004 - FOOD - 6-7 (FRANCE/GERMANY) 16
12.	BAG ASSEMBLY B4980003 - CAN - 14 (ARGENTINA) 17
13.	BAG ASSEMBLY B4980005 - FOOD - 14 (ARGENTINA) 17
14.	BAG ASSEMBLY B4970003 - CAN - 5 (MEXICO) 18
15.	BAG ASSEMBLY B4970007 - FOOD - 5 (MEXICO) 18
16.	BAG ASSEMBLY B4980002 - CAN - 4 (BRAZIL) 19
17.	BAG ASSEMBLY B4980006 - FOOD - 4 (BRAZIL) 19
18.	BAG ASSEMBLY B4970001 - CAN - 3-4 (LATIN AMERICA/BRAZIL) 20
19.	BAG ASSEMBLY B4970005 - CAN - 12 (NEW ZEALAND) 20
20.	BAG ASSEMBLY B4640011 - 27 (SOUTH AFRICA) 21
21.	BAG ASSEMBLY B4970008 - CAN - 31 (CHINA) 21
22.	MILLENNIA DOOR ASSEMBLY 23
23.	STANDARD DOOR ASSEMBLY 25
24.	UPPER DOOR LIGHT ASSEMBLY - 115 V. 27
25.	UPPER DOOR LIGHT ASSEMBLY - 230 V 29
26.	GLASS RETAINER WITH SIDE LIGHT - FOOD OPTION 31
27.	FLUORESCENT LIGHT SIDE ASSEMBLY WITH COVER 33
28.	GLASS RETAINER - CAN OPTION 35
29.	LOWER GLASS SUPPORT PANEL ASSEMBLY 36
30.	DOOR GLASS AND GLASS RETAINING COMPONENTS 37
31.	UPPER DOOR LIGHT MOUNTING 38
32.	LOWER GLASS SUPPORT PANEL 39
33.	COIN RECEPTACLE ASSEMBLIES 41
34.	MILLENNIA DOOR LOCK AND HANDLE ASSEMBLY 43
35.	DOOR LOCK AND HANDLE ASSEMBLY 45
36.	DOOR LOCK GUARD ACCESSORY 47
37.	DELIVERY PAN ASSEMBLY (PART 1) 49
38.	DELIVERY PAN ASSEMBLY (PART 2) - FOOD OPTION ONLY 51
39.	DELIVERY PAN SOLENOID LOCK ASSEMBLY - FOOD OPTION ONLY 53
40.	GUM AND MINT ASSEMBLY (PART 1) 55
41.	GUM AND MINT ASSEMBLY (PART 2) 57
42.	GUM AND MINT ASSEMBLY (PART 3) 59
43.	COMMON CABINET (PART 1 OF 2) 61
44.	COMMON CABINET (PART 2 OF 2) 63
45.	BASE PLATE ASSEMBLY 65
46.	CABINET INSULATION (MODEL 798 ONLY) 65
47.	LEG, LEVELER, AND LEG AND HINGE ASSEMBLIES 67

Expanded Refreshment Center Parts Manual

TABLE	PAGE
48. POWER PANEL ASSEMBLY - 115 VOLT	69
49. POWER PANEL ASSEMBLY - 230 VOLT (FRANCE, GERMANY, SWEDEN)	71
50. POWER PANEL ASSEMBLY - 230 VOLT (U.K., CHINA)	73
51. POWER PANEL ASSEMBLY - 230 VOLT (N.Z./ARG./BRZ./L.A. 230/S.A. 230)	75
52. POWER PANEL ASSEMBLY - ARG./BRZ./L.A. 230 (OLD STYLE)	77
53. POWER PANEL ASSEMBLY - AUS./N./Z. (OLD STYLE)	79
54. POWER PANEL ASSEMBLY - 100 VOLT - 50/60 HZ. (JAPAN)	81
55. POWER PANEL ASSEMBLY (MEXICO)	83
56. MONETARY PANEL ASSEMBLY (PART 1 OF 3)	85
57. MONETARY PANEL ASSEMBLY (PART 2 OF 3)	87
58. MONETARY PANEL ASSEMBLY (PART 3 OF 3)	89
61. CARD READER AND BILL VALIDATOR COMBINATIONS	93
61 A. MONETARY LOCATION OPTIONS	93
61 B. COIN MECHANISM OPTIONS	94
61 C. BILL VALIDATOR OPTIONS	95
61 D. CARD READER OPTIONS	95
62. SNACK TRAY ASSEMBLY (PART 1 OF 2)	97
63. SNACK TRAY ASSEMBLY (PART 2 OF 2)	99
64. CANDY TRAY ASSEMBLY (PART 1 OF 2)	101
65. CANDY TRAY ASSEMBLY (PART 2 OF 2)	103
66. GUM AND MINT TRAY ASSEMBLY (PART 1 OF 2)	105
67. GUM AND MINT TRAY ASSEMBLY (PART 2 OF 2)	107
67 A. SPIRAL OPTIONS	107
68. 10-SELECT CAN OPTION	109
69. CAN MODULE ASSEMBLY	111
70. FRAME ASSEMBLY	113
71. MISCELLANEOUS INTERNAL PARTS	115
72. EJECTOR AND MOTOR ASSEMBLY	117
73. CABINET PARTS - EXPANDED FOOD	119
74. DOOR ASSEMBLY - FOOD MODULE	121
75. COLD FOOD MODULE ASSEMBLY	123
76. MOTOR TO DRIVE ARM ASSEMBLIES CONNECTION DETAIL	125
77. FOOD MODULE DOOR FRAME ASSEMBLY	127
78. LEFT HAND DRIVE ARM ASSEMBLY	129
79. RIGHT HAND DRIVE ARM ASSEMBLY	131
80. DRIVE ARM ASSEMBLY ATTACHMENT DETAILS	133
81. MOTOR MOUNTING BRACKET ASSEMBLY	135
82. FOOD MODULE CABINET INTERIOR - RIGHT SIDE (PART 1 OF 2)	137
83. FOOD MODULE CABINET INTERIOR - RIGHT SIDE (PART 2 OF 2)	139
84. CABINET INTERIOR - LEFT SIDE VIEW	141
85. FOOD MODULE CABINET INTERIOR - SECTION	143
86. FOOD MODULE TRAY FRAME ASSEMBLY	145
87. SPIRAL TRAY ASSEMBLY - 5, 6, AND 9 MOTOR	147
87 A. SPIRAL OPTIONS	147
88. BELT MODULE TRAY ASSEMBLY	149
89. BELT AND SUPPORT ASSEMBLY - SINGLE	151
90. BELT AND SUPPORT ASSEMBLY - DUAL	153
91. REFRIGERATION UNIT COMPONENTS	154

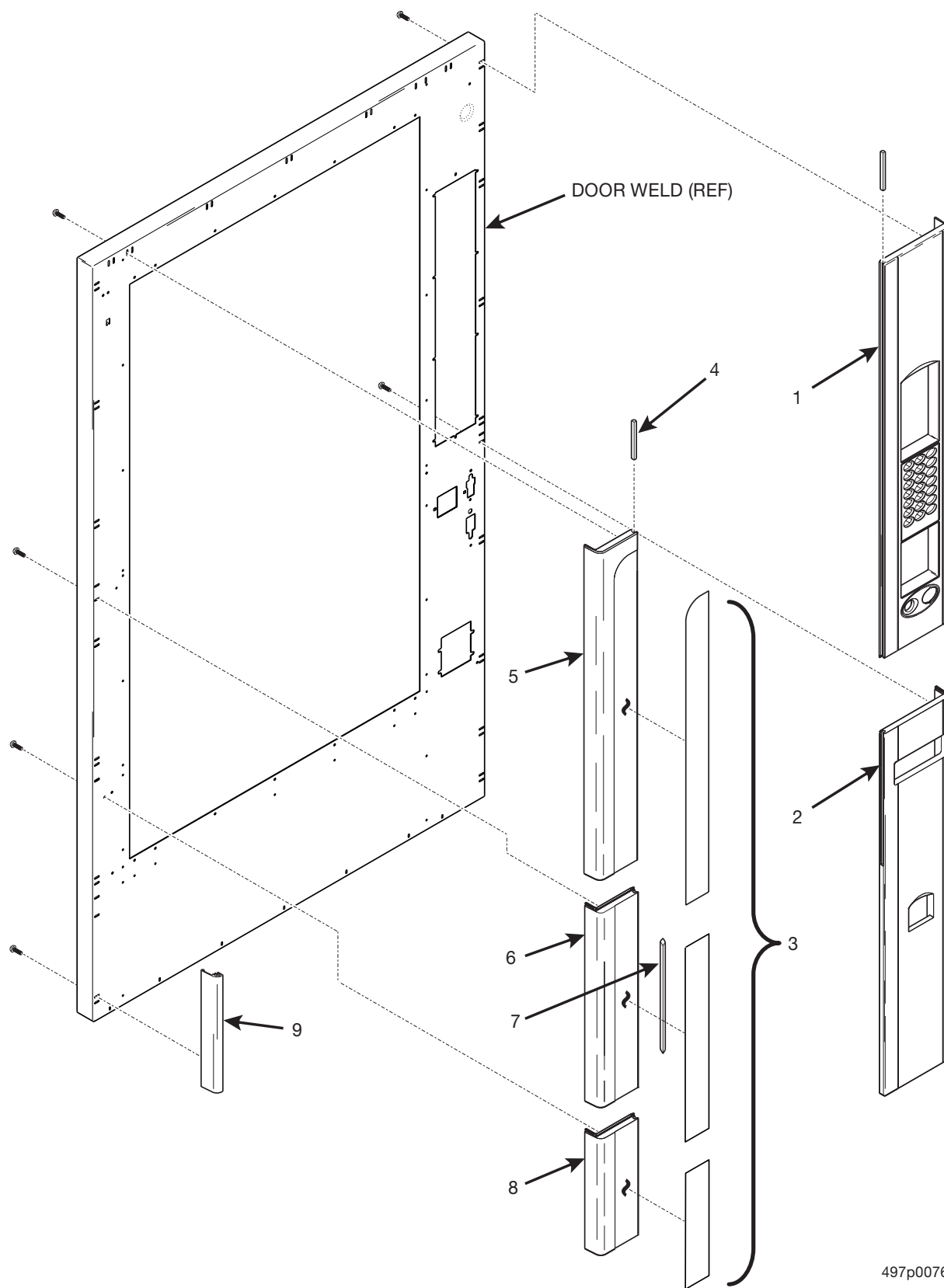
Expanded Refreshment Center Parts Manual



157p0289

Figure 1. 797/798 Merchandiser

Expanded Refreshment Center Parts Manual



497p0076

Figure 2. Trim - Millennium Style (Part 1 of 3)

Expanded Refreshment Center Parts Manual

TABLE 1. TRIM - MILLENNIA STYLE (PART 1 OF 3)

<i>INDEX</i>	<i>PART NUMBER</i>	<i>DESCRIPTION</i>	<i>QTY.</i>
1	1572213	RIGHT HAND TRIM - UPPER - "A-21"	1
2	1572214	RIGHT HAND TRIM - LOWER - "B"	1
3	1572258	DECAL - DOOR TRIM VERTICAL ASSEMBLY	1
4	1572259	FILLER - GROOVE - SHORT	2
5	1572215	LEFT HAND TRIM - UPPER - "C"	1
6	1572216	LEFT HAND TRIM - MIDDLE - "D"	1
7	1572260	FILLER - GROOVE - LONG	1
8	1572217	LEFT HAND TRIM - BOTTOM - "E"	1
9	1572267	TRIM - LOWER - DOOR SIDE - GRAY	1
	1572324	TRIM - LOWER - DOOR SIDE - BLACK	

Expanded Refreshment Center Parts Manual

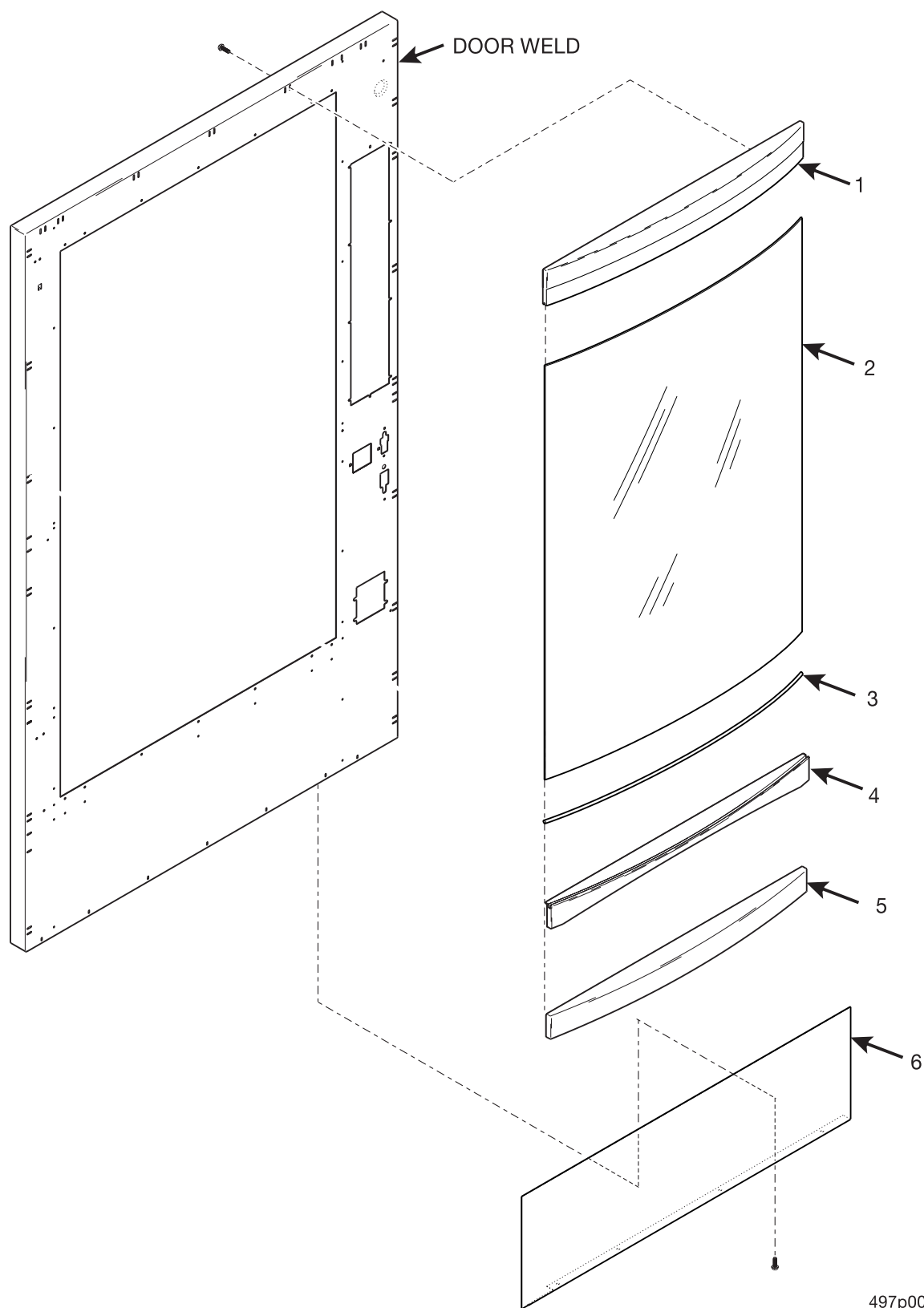


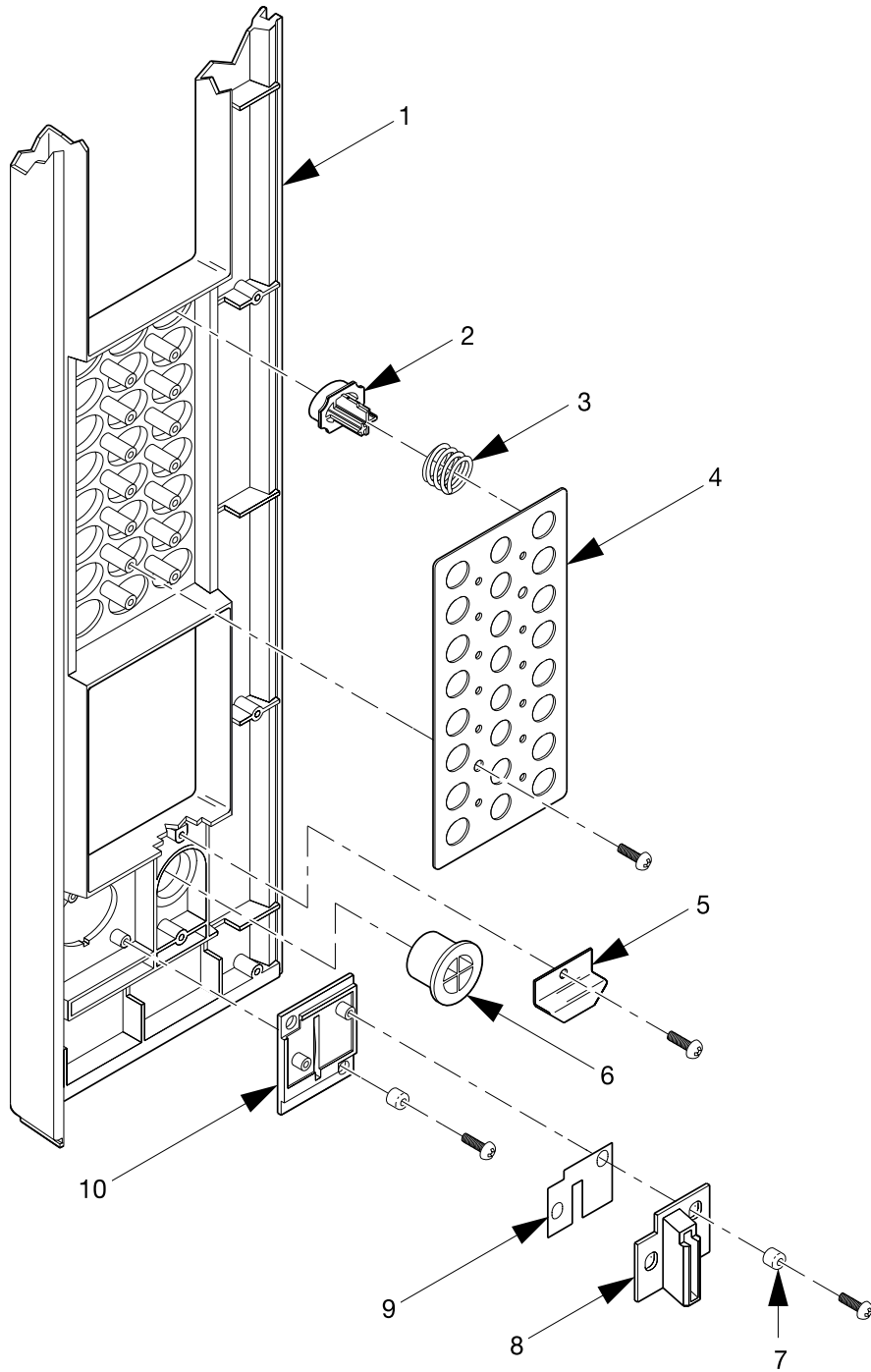
Figure 3. Trim - Millennium Style (Part 2 of 3)

Expanded Refreshment Center Parts Manual

TABLE 2. TRIM - MILLENNIA STYLE (PART 2 OF 3)

<i>INDEX</i>	<i>PART NUMBER</i>	<i>DESCRIPTION</i>	<i>QTY.</i>
1	4972120	P.O.P. PANEL AND DECAL ASSEMBLY	1
2	4972101	GLASS - CURVED FRONT - 40 INCH - RC4	1
3	4972113	GLASKET - GLASS	1
4	4972201	HORIZONTAL TRIM - UPPER - 40 INCH - "J2"	1
5	4972202	HORIZONTAL TRIM - LOWER - 40 INCH - "K2"	1
6	4972152	TRIM - LOWER DOOR SIDE - GRAY	1
	4972153	TRIM - LOWER DOOR SIDE - BLACK	

Expanded Refreshment Center Parts Manual



363p023C

Figure 4. Trim - Millennium Style (Part 3 of 3)

Expanded Refreshment Center Parts Manual

TABLE 3. TRIM - MILLENNIA STYLE (PART 3 OF 3)

<i>INDEX</i>	<i>PART NUMBER</i>	<i>DESCRIPTION</i>	<i>QTY.</i>
1	1572213	R.H. TRIM - UPPER - "A21"	1
2	1572212	ARRAY - PUSH BUTTON SELECTION	1
3	1572224	SPRING - PUSH BUTTON	2
4	1572223	PLATE - STOP BUTTONS	1
5	1572292	RETAINER - RETURN BUTTON	1
6	1572210	COIN RETURN BUTTON - "A-2"	1
7	2302053	SPACER CUP	4
8	1572323	EXTENSION - COIN INSERT	1
9	1472222	COIN BLOCK	1
10	1572209	COIN INSERT - "A-1"	1

Expanded Refreshment Center Parts Manual

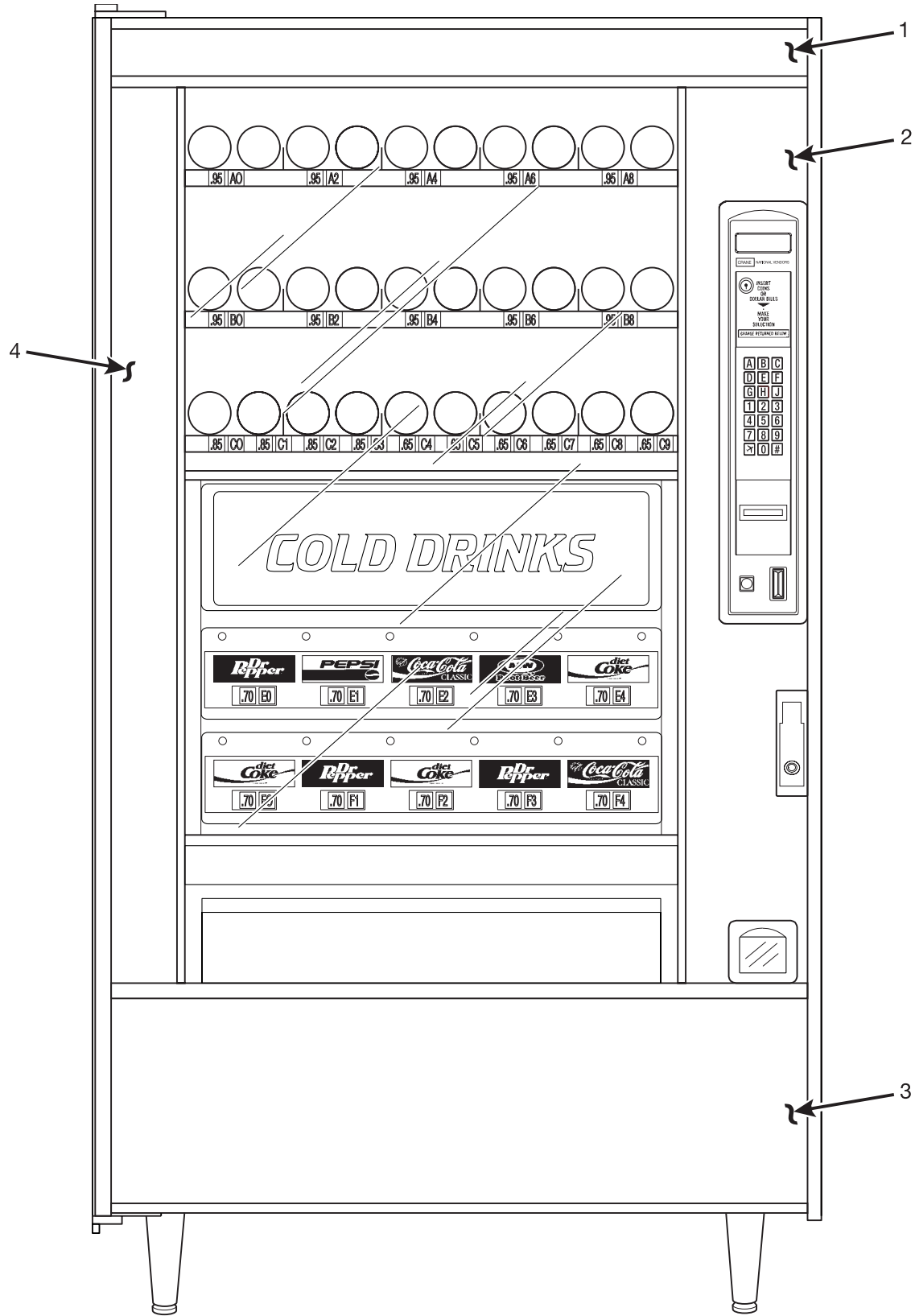


Figure 5. 797 Trim Panels

497p0025

Expanded Refreshment Center Parts Manual

TABLE 4. 797 TRIM PANELS

INDEX	PART NUMBER	DESCRIPTION	QTY.
1	-	TOP TRIM PANEL (SEE FIGURE 4 A FOR DETAILS)	1
2	-	RIGHT SIDE TRIM PANEL (SEE FIGURE 4 B FOR DETAILS)	1
3	-	BOTTOM TRIM PANEL (SEE FIGURE 4 C FOR DETAILS)	1
4	-	LEFT SIDE TRIM PANEL (SEE FIGURE 4 D FOR DETAILS)	1

TABLE 4 A. TOP TRIM PANEL

PART NUMBER	DESCRIPTION
1472019	PRESIDENTIAL WALNUT
1472101	BLACK HAIRCELL
1472121	ENAMELED
1472150	VINYL SPECIAL
1472160	STERLING
1472168	TEAK
1472176	FORMICA SPECIAL
1472283	WHITE HAIRCELL
1472289	SLATE
1472294	BLACK PICA
1472308	BISON BLACK
1472321	NU WHITE

TABLE 4 B. RIGHT SIDE TRIM PANEL

PART NUMBER	DESCRIPTION
1572101	STERLING WITH COIN
1572106	BLACK PICA
1572115	COMP OAK
1572118	DOVE GREY
1572121	STERLING WITHOUT COIN
1572123	ENAMELED
1572130	NU WHITE
1572139	MOROCCO GREY
1572141	PEWTER
1572144	PLATINUM GREY
1572149	PRESIDENTIAL WALNUT
1572160	VINYL SPECIAL
1572163	WHITE HAIRCELL
1572195	PORT AU PRINCE

Expanded Refreshment Center Parts Manual

TABLE 4 C. BOTTOM TRIM PANEL

<i>PART NUMBER</i>	<i>DESCRIPTION</i>
1472213	COMP OAK
1472216	PLATINUM GREY
1472232	PRESIDENTIAL WALNUT
1472234	FORMICA SPECIAL
1472235	DOVE
1472237	ENAMELED
1472238	VINYL SPECIAL
1472239	STERLING
1472241	TEAK
1472242	SLATE
1472243	BLACK HAIRCELL
1472248	PEWTER
1472286	WHITE HAIRCELL
1472297	BLACK PICA
1472311	BISON BLACK
1472322	NU WHITE

Expanded Refreshment Center Parts Manual

TABLE 4 D. LEFT SIDE TRIM PANEL

<i>PART NUMBER</i>	<i>DESCRIPTION</i>
1572100	STERLING
1572105	BLACK PICA
1572114	COMP OAK
1572117	DOVE GREY
1572122	ENAMELED
1572129	NU WHITE
1572138	MOROCCO GREY
1572140	PEWTER
1572143	PLATINUM GREY
1572148	PRESIDENTIAL WALNUT
1572159	VINYL SPECIAL
1572162	WHITE HAIRCELL
1572194	PORT AU PRINCE

Expanded Refreshment Center Parts Manual

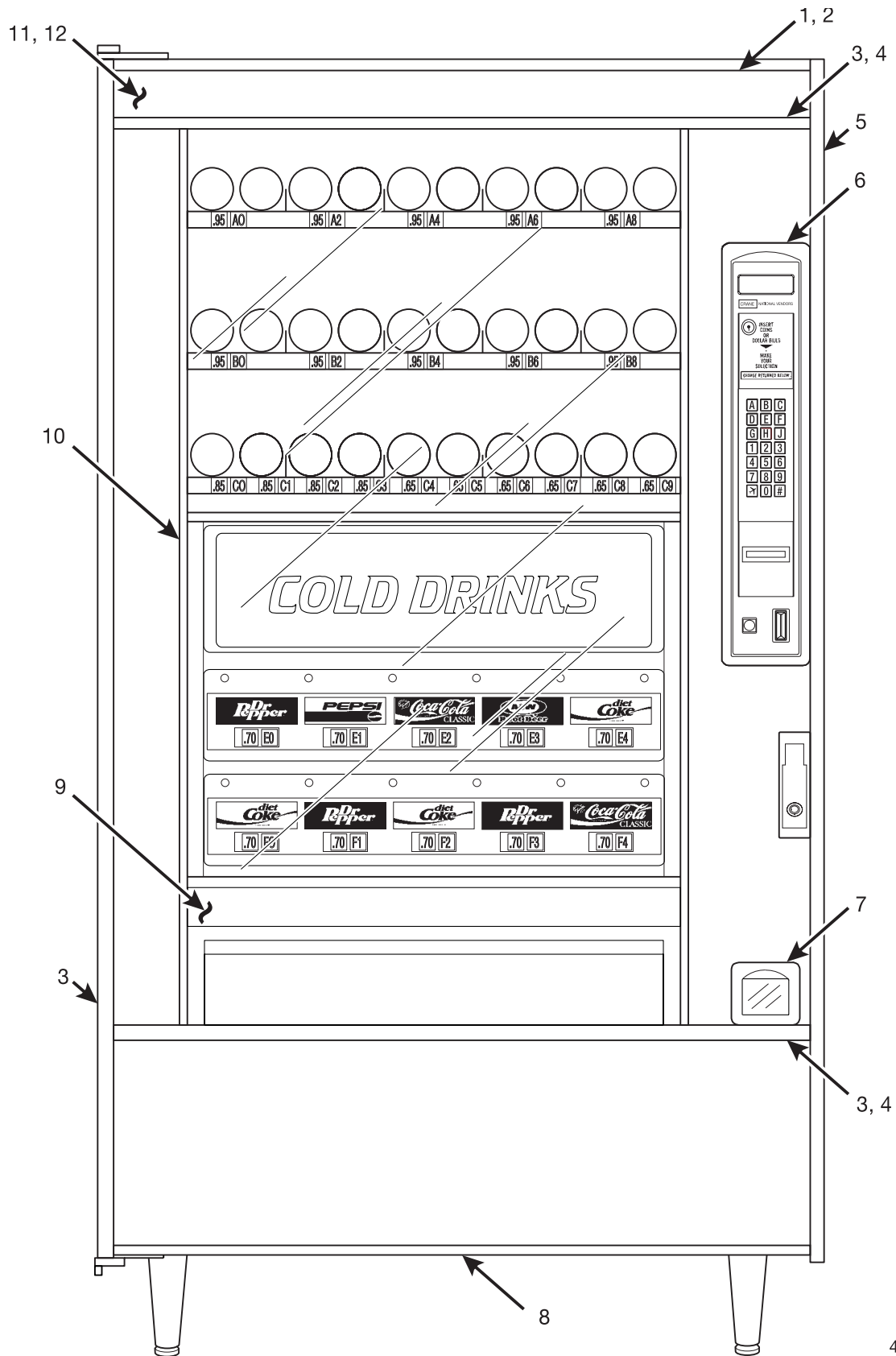


Figure 6. 797 Standard Trim

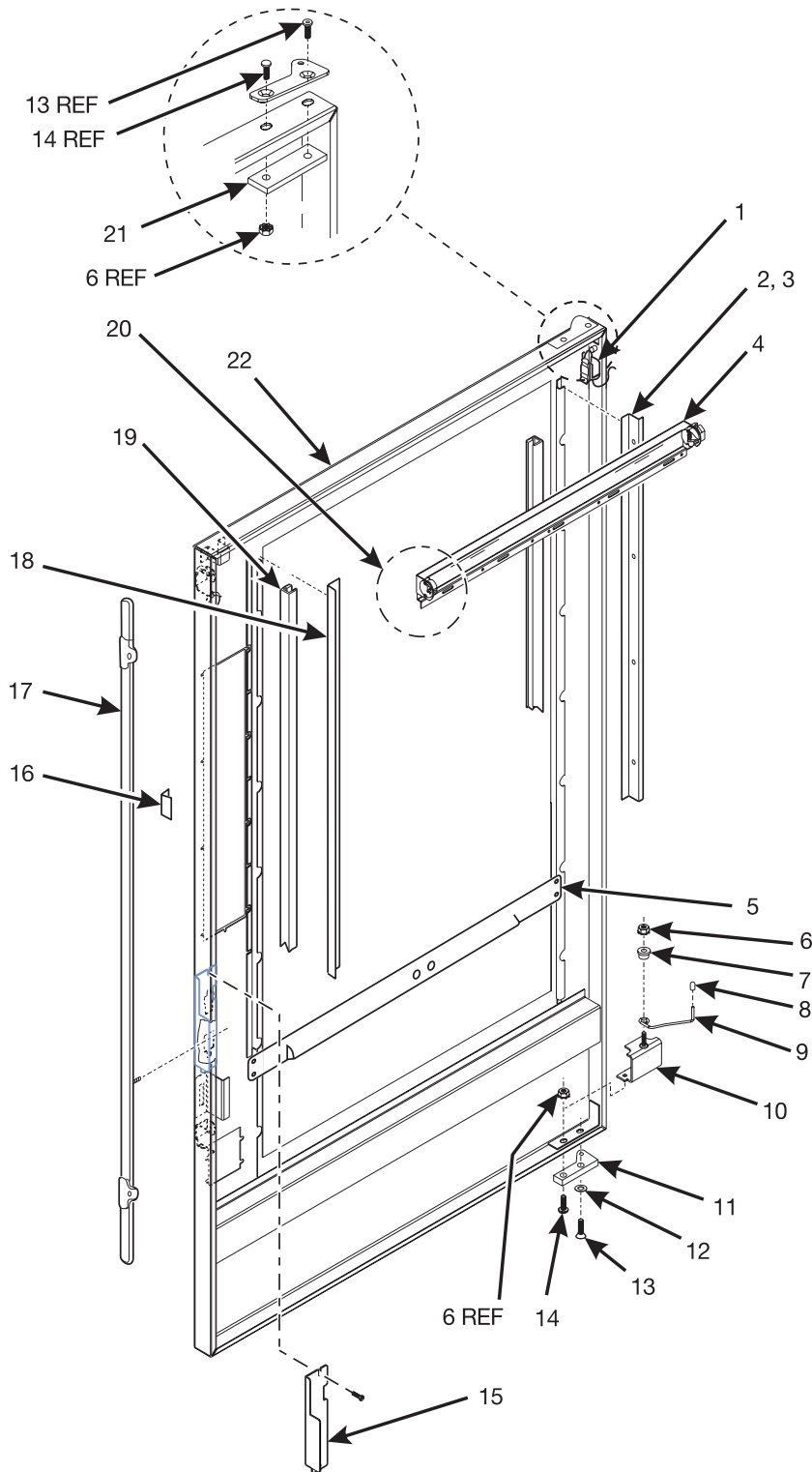
497p0026

Expanded Refreshment Center Parts Manual

TABLE 5. 797 STANDARD TRIM

<i>INDEX</i>	<i>PART NUMBER</i>	<i>DESCRIPTION</i>	<i>QTY.</i>
1	1472025	TRIM - DOOR - TOP (CLEAR) (ARA AND IMPERIAL CROWN STYLES)	1
	1472097	TRIM - DOOR - TOP (BLACK) (SIGNATURE STYLE)	
2	1472026	TRIM - INSERT (BLACK)	1
3	1472028	TRIM - DOOR - HORIZONTAL (CLEAR) (ARA AND IMPERIAL CROWN STYLE)	2
4	1472026	TRIM - INSERT (BLACK)	1
5	1302409	TRIM - DOOR SIDE (CLEAR) (ARA AND IMPERIAL CROWN STYLES)	2
	1452203	TRIM - DOOR - SIDE - BLACK - IBM (SIGNATURE STYLE)	
6	1575047	CASTING - MONETARY FRAME - BLACK	1
7	1522011	TRIM - COIN CUP - BLACK	1
8	1472245	EDGE PROTECTOR - BOTTOM	1
9	4972046	TRIM PANEL - GLASS - LOWER	1
10	1472190	TRIM - VERTICAL	2
11	4302281	INSERT - ARA - BLACK - 38.38 INCHES (ARA STYLE)	-
12	4852013	TRIM - TOP - ARA (CLEAR) (ARA STYLE)	1

Expanded Refreshment Center Parts Manual



497p0066

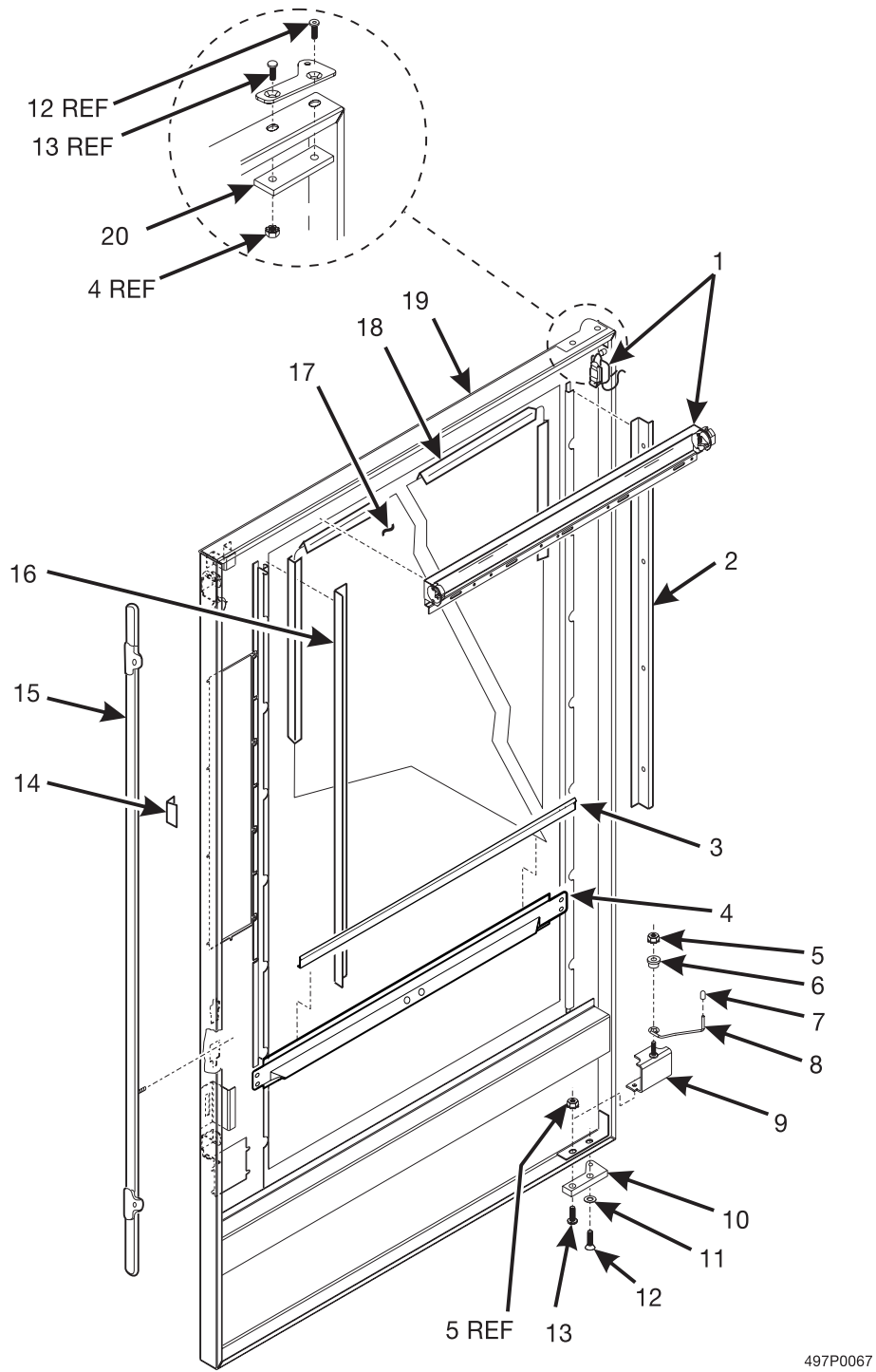
Figure 7. Millennium Door Assembly

Expanded Refreshment Center Parts Manual

TABLE 6. MILLENNIA DOOR ASSEMBLY

<i>INDEX</i>	<i>PART NUMBER</i>	<i>DESCRIPTION</i>	<i>QTY.</i>
1	6152118	BALLAST ASSEMBLY - CABINET LIGHT (SEE FIGURE 9 FOR DETAILS) (SEE FIGURE 10 FOR DETAILS)	1
2	4972107	RETAINER - GLASS - WITH SIDE LIGHT (SEE FIGURE 11 FOR DETAILS)	1
3	1572020	RETAINER - GLASS - LARGE SNACK - NV BLACK (SEE FIGURE 13 FOR DETAILS)	OPT.
4	1572017	LIGHT ASSEMBLY - UPPER - DOOR (SEE FIGURE 9 FOR DETAILS) (SEE FIGURE 10 FOR DETAILS)	1
5	4972141	PANEL ASSEMBLY - GLASS - LOWER (SEE FIGURE 14 FOR DETAILS)	1
6	1211105	1/4-20 KEPS NUT - EXT LW - ZP	3
7	1142017	BUSHING - DOOR CHECK	1
8	1571037	CAP - VINYL - .281 ID X .50 LONG	1
9	1572009	ROD - DOOR CHECK	1
10	1572007	WELD ASSEMBLY - DOOR CHECK	1
11	6232031	HINGE ASSEMBLY - DOOR - LOWER	1
12	4242145	BEARING - THRUST - LOWER HINGE	1
13	6232036	SCREW - 5/16-18 X .75 FLT. HD. SOCKET	2
14	6232208	WELD SCREW - #1/4-20 X 1 IN LONG	2
15	1572196	CHANNEL - FILLER - LOCK (CAPTURED BY TRIM SCREWS)	1
16	1472250	GUIDE - LOCK BAR	1
17	1472178	LOCK BAR ASSEMBLY	1
18	1472048	PLATE - GLASS RETAINING	1
19	1572243	SPACER - GLASS RETAINER (SEE FIGURE 15 FOR DETAILS)	
20	4972106	SPACER - LIGHT BRACKET (SEE FIGURE 16 FOR DETAILS)	1
21	6232028	PLATE ASSEMBLY - HINGE MOUNTING	1
22	4972185	DOOR WELD - BLACK	1

Expanded Refreshment Center Parts Manual



497P0067

Figure 8. Standard Door Assembly

Expanded Refreshment Center Parts Manual

TABLE 7. STANDARD DOOR ASSEMBLY

INDEX	PART NUMBER	DESCRIPTION	QTY.
1	-	(SEE FIGURE 9 FOR DETAILS)	-
2	-	(SEE FIGURE 12 FOR DETAILS) (SEE FIGURE 13 FOR DETAILS)	-
3	4972047	CHANNEL - GLASS - LOWER	1
4	4972141	PANEL ASSY-GLASS-LOWER	1
5	1211105	1/4-20 KEPS NUT - EXT LW - ZP	2
6	1142017	BUSHING -DOOR CHECK	1
7	1571037	CAP - VINYL - .281 I.D. X .50 LONG	1
8	1572009	ROD - DOOR CHECK	1
9	1572007	WELD ASSEMBLY - DOOR CHECK	1
10	6232031	HINGE ASSEMBLY - DOOR - LOWER	1
11	4242145	BEARING - THRUST - LOWER HINGE	1
12	6232036	SCREW - 5/16-18 X .75 FLT HD. SOCKET	2
13	6232208	WELD SCREW #1/4-20 X 1 IN LONG	2
14	1472250	GUIDE - LOCK BAR	1
15	1472178	LOCK BAR ASSEMBLY	1
16	1472048	PLATE - GLASS RETAINING	1
17	4972048	GLASS - DISPLAY	OPT
	4972108	LEXAN - DISPLAY GLASS	
18	2222124	CHANNEL - GLASS - HORIZONTAL AND VERTICAL (114.18")	-
19	4972185	DOOR WELD - PAINTED - N.V. BLACK	1
20	6232028	PLATE ASSEMBLY - HINGE MOUNTING	1

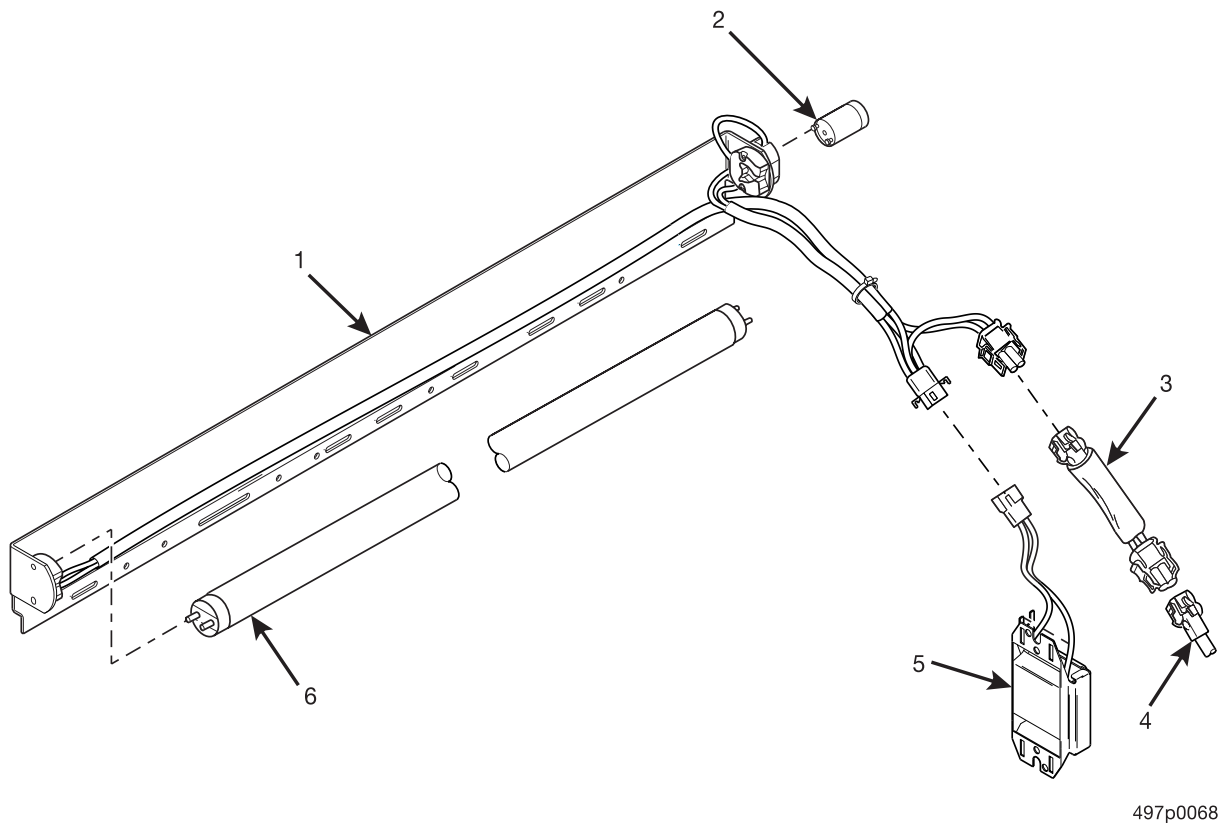
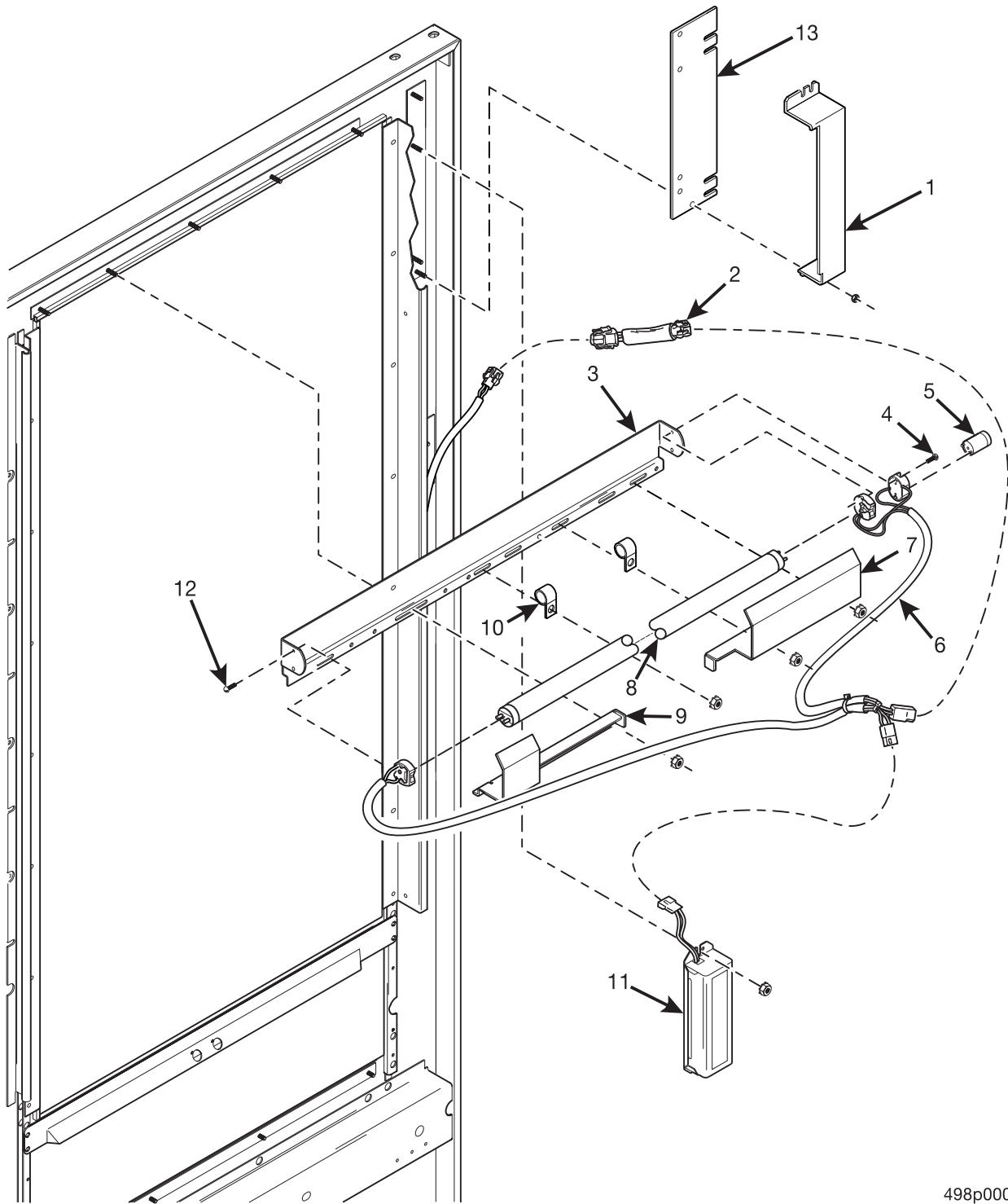


Figure 9. Upper Door Light Assembly - 115 V.

Expanded Refreshment Center Parts Manual

TABLE 8. UPPER DOOR LIGHT ASSEMBLY - 115 V.

<i>INDEX</i>	<i>PART NUMBER</i>	<i>DESCRIPTION</i>	<i>QTY.</i>
1	1702004	LIGHT ASSEMBLY - UPPER - DOOR (U.S., MEXICO, BRAZIL 120V)	1
2	2302218	STARTER - FLUORESCENT LIGHT	1
3	1451124	SUPPRESSION NETWORK ASSEMBLY	1
4	4979000	FLAT CABLE ASSEMBLY	1
5	6152118	BALLAST ASSEMBLY - CABINET LIGHT	1
6	1172115	FLUORESCENT LAMP - 25 WAT - 28" LONG	1



498p0002

Figure 10. Upper Door Light Assembly - 230 V

Expanded Refreshment Center Parts Manual

TABLE 9. UPPER DOOR LIGHT ASSEMBLY - 230 V

<i>INDEX</i>	<i>PART NUMBER</i>	<i>DESCRIPTION</i>	<i>QTY.</i>
1	1572047	COVER - BALLAST - EUROPE	1
2	6332010	SUPPRESSION ASSEMBLY - 230 V.	1
3	1582025	BRACKET - LIGHT - COMMON - 20 WATT	1
4	3107171	SCREW - #4-36 X 5/8 RHS	2
5	2222095	FLUORESCENT LAMP STARTER	1
6	1709015	HARNESS - FLUORESCENT LIGHT	1
7	1572045	COVER - LIGHT SOCKET - LEFT (230 V MODELS)	1
8	1122138	FLUORESCENT LAMP	1
9	1572044	COVER - LIGHT SOCKET - RIGHT (230 V MODELS)	1
10	1452139	RETAINER - HARNESS	2
11	1572016	BALLAST ASSEMBLY - 20 W - 230 V	1
12	1452076	SCREW - #4-36 X .432 RHS	2
13	1572046	PLATE BALLAST - INTERNATIONAL	1

Expanded Refreshment Center Parts Manual

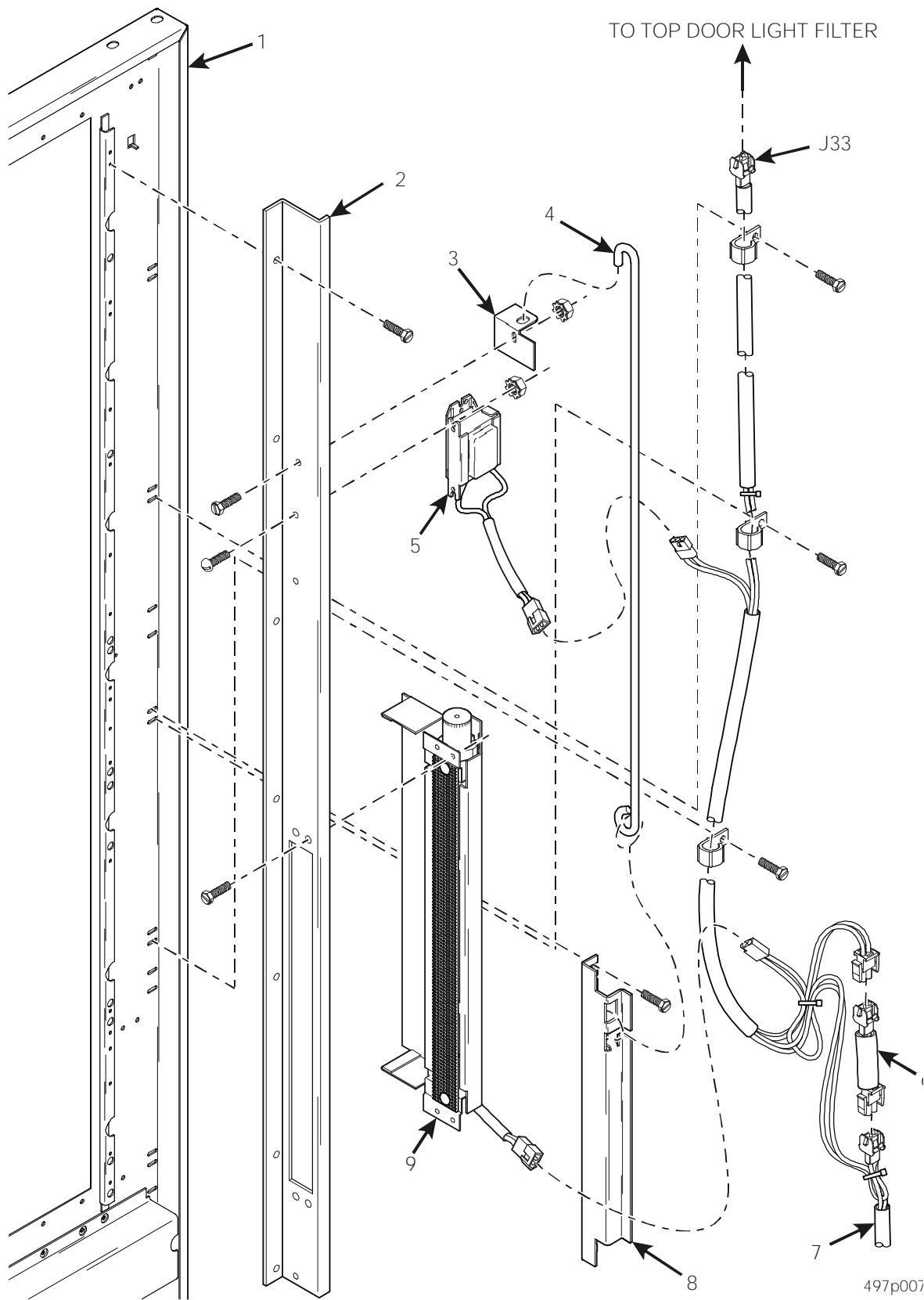


Figure 11. Glass Retainer With Side Light - Food Option

Expanded Refreshment Center Parts Manual

TABLE 10. GLASS RETAINER WITH SIDE LIGHT - FOOD OPTION

<i>INDEX</i>	<i>PART NUMBER</i>	<i>DESCRIPTION</i>	<i>QTY.</i>
1	4972040	WELD ASSEMBLY - DOOR - UNPAINTED	1
2	4972107	RETAINER - GLASS - WITH SIDE LIGHT ASSEMBLY	1
3	1572028	RETAINER - ROD SUPPORT - COMMON	OPT.
4	1479140	ROD - SUPPORT - G & M	OPT.
5	4401016	BALLAST ASSEMBLY	1
6	1451124	SUPPRESSION NETWORK ASSEMBLY	1
7	4979009	HARNESS - SIDE PANEL AND DOOR FLUORESCENT LIGHT	1
8	4972049	BRACKET - GUM & MINT PROP - MILLENNIA (ATTACHED TO DOOR WITH TRIM ATTACHING HARDWARE)	OPT.
9	1572023	FLUORESCENT LIGHT SIDE ASSEMBLY WITH COVER (SEE FIGURE 12 FOR DETAILS)	1

Expanded Refreshment Center Parts Manual

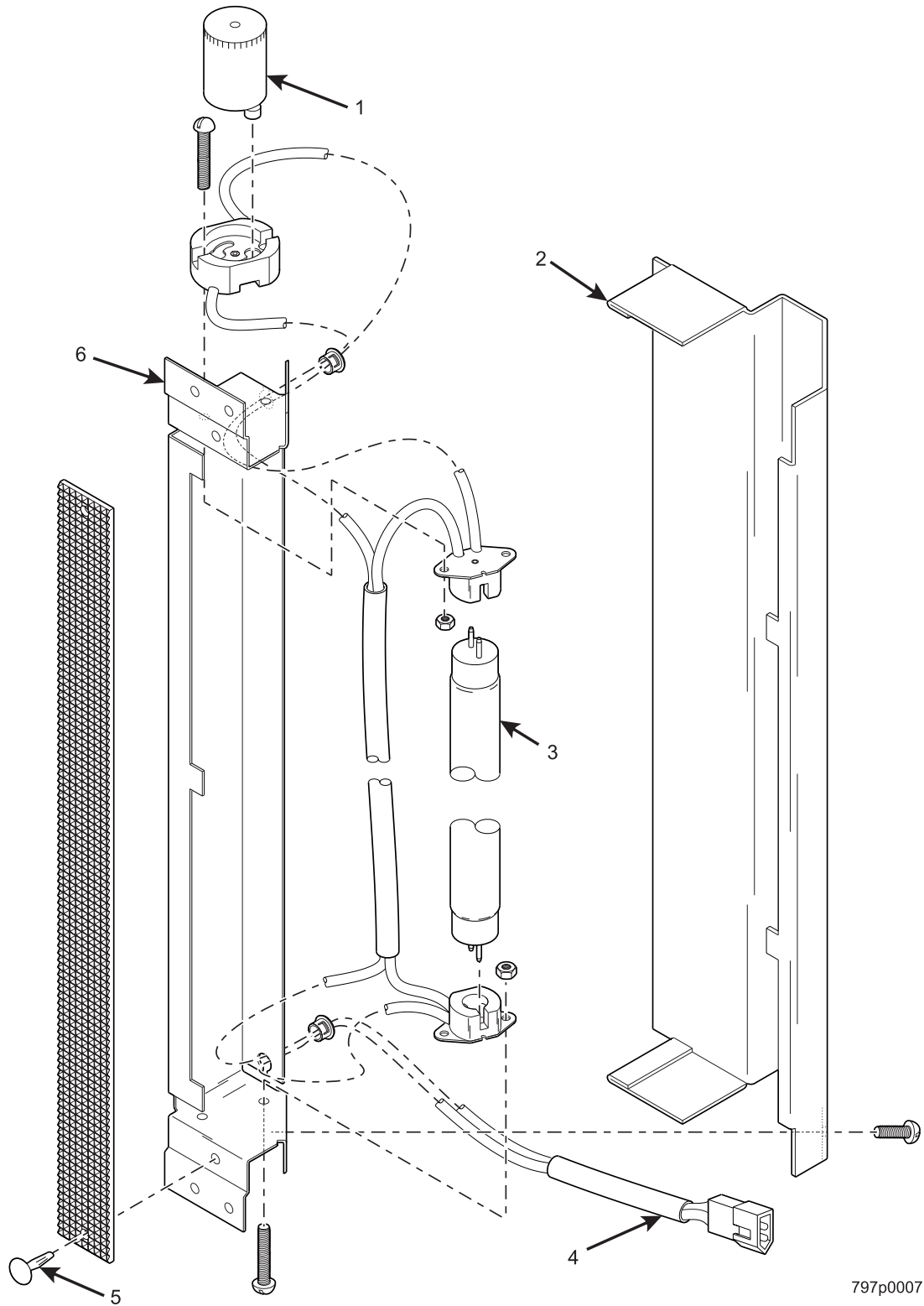


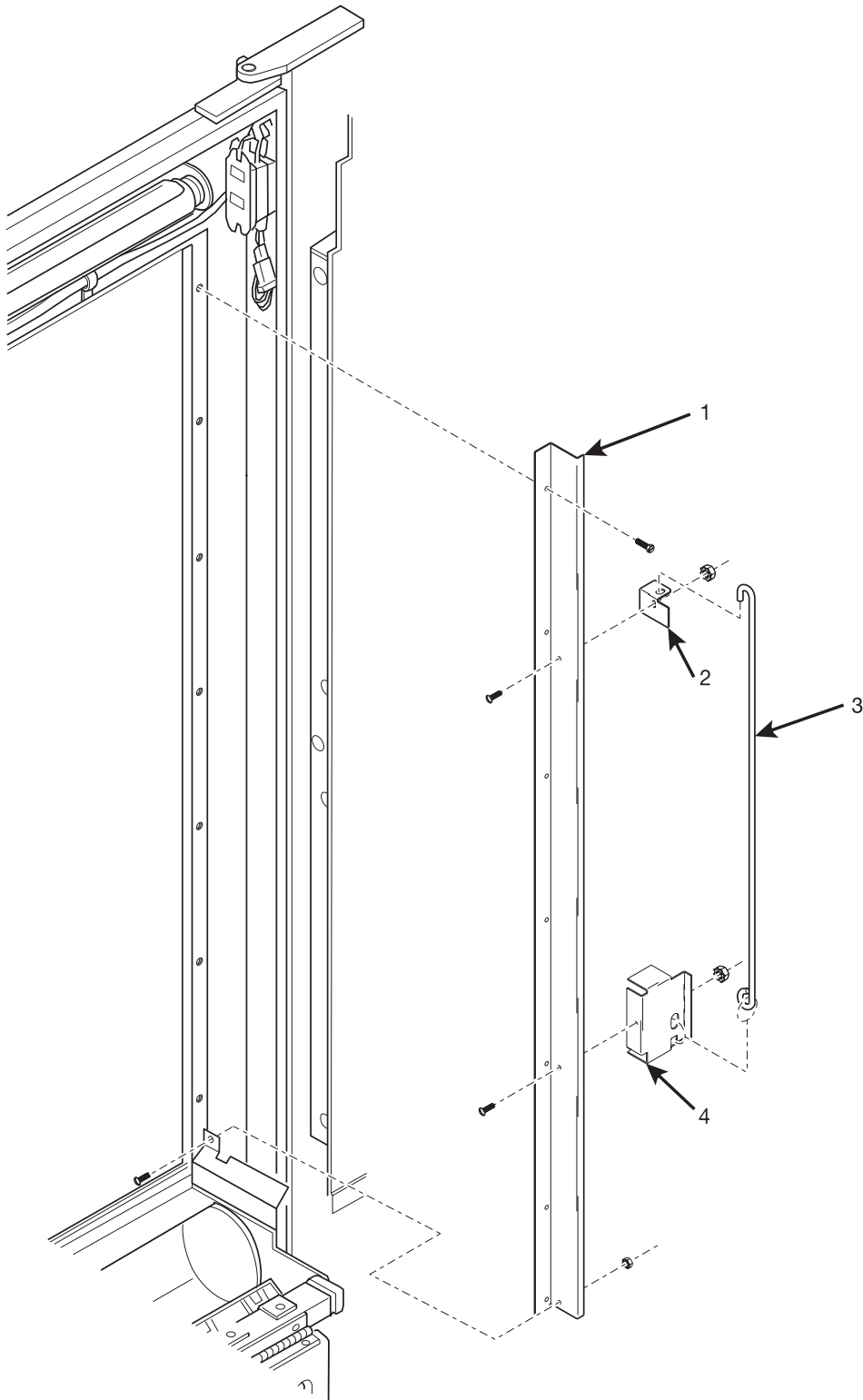
Figure 12. Fluorescent Light Side Assembly With Cover

Expanded Refreshment Center Parts Manual

TABLE 11. FLUORESCENT LIGHT SIDE ASSEMBLY WITH COVER

<i>INDEX</i>	<i>PART NUMBER</i>	<i>DESCRIPTION</i>	<i>QTY.</i>
1	1212148	FLUORESCENT LAMP STARTER	1
2	4852049	COVER - LIGHT	1
3	2146059	LAMP - FLUORESCENT - 8 WATT	1
4	4849008	HARNESS - FLUORESCENT LIGHT - FOOD MODULE	1
5	4042556	CANOE CLIP	1
6	4842015	HOUSING - LIGHT - COMMON	1

Expanded Refreshment Center Parts Manual



497p0073

Figure 13. Glass Retainer - Can Option

Expanded Refreshment Center Parts Manual

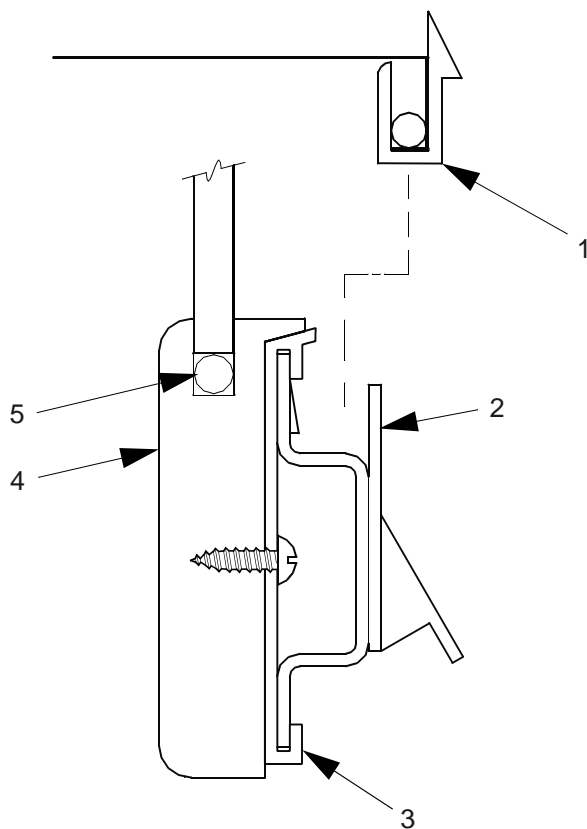
TABLE 12. GLASS RETAINER - CAN OPTION

<i>INDEX</i>	<i>PART NUMBER</i>	<i>DESCRIPTION</i>	<i>QTY.</i>
1	1572020	RETAINER - GLASS - LG. SNACK - N.V. BLACK	1
2	1572028	RETAINER - ROD SUPPORT - COMMON	OPT.
3	1479140	ROD - SUPPORT G. & M.	OPT.
4	1572027	SUPPORT - PROP ROD - COMMON	OPT.

Expanded Refreshment Center Parts Manual

TABLE 13. LOWER GLASS SUPPORT PANEL ASSEMBLY

INDEX	PART NUMBER	DESCRIPTION	QTY.
-	1582141	HORIZONTAL TRIM & GLASS CHANNEL ASSEMBLY	1
1	1582095	CHANNEL & DELECTOR ASSEMBLY	1
2	1602026	PANEL ASSEMBLY - GLASS LOWER	1
3	1582084	PANEL - LOWER TRIM - W/HOLES & PTD.	1
4	1582201	HORIZONTAL TRIM - UPPER - J	1
5	1582093	GASKET - GLASS	1



157p0278

Figure 14. Lower Glass Support Panel Assembly

Expanded Refreshment Center Parts Manual

TABLE 14. DOOR GLASS AND GLASS RETAINING COMPONENTS

INDEX	PART NUMBER	DESCRIPTION	QTY.
1	4972101	GLASS - CURVED FRONT	1
2	1572020	GLASS RETAINER (CAN)	REF
	4972107	GLASS RETAINER WITH SIDE LIGHT	
3	1572243	GLASS RETAINER SPACER	2
4	1472048	GLASS RETAINING PLATE	REF

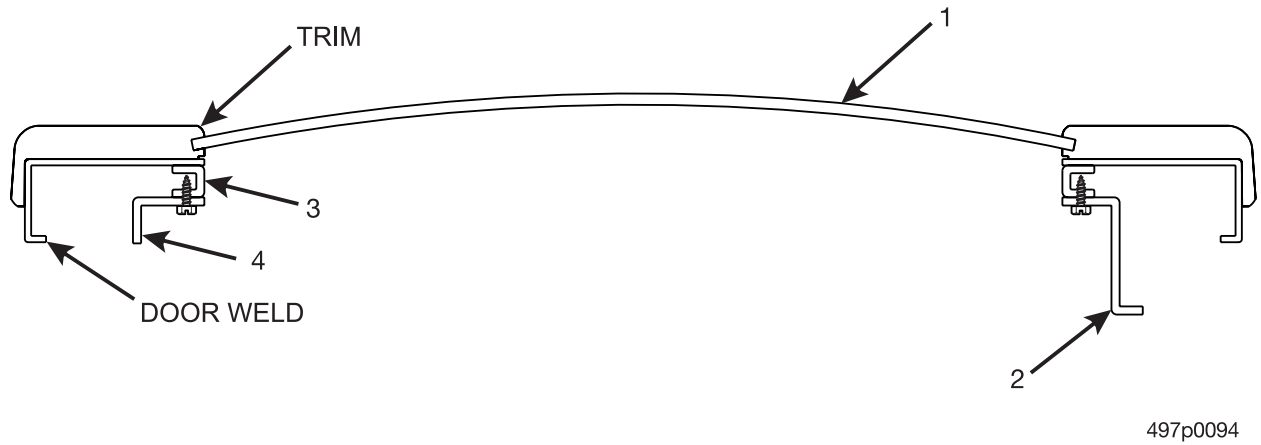


Figure 15. Door Glass and Glass Retaining Components

Expanded Refreshment Center Parts Manual

TABLE 15. UPPER DOOR LIGHT MOUNTING

INDEX	PART NUMBER	DESCRIPTION	QTY.
1	4972106	SPACER - LIGHT BRACKET	1

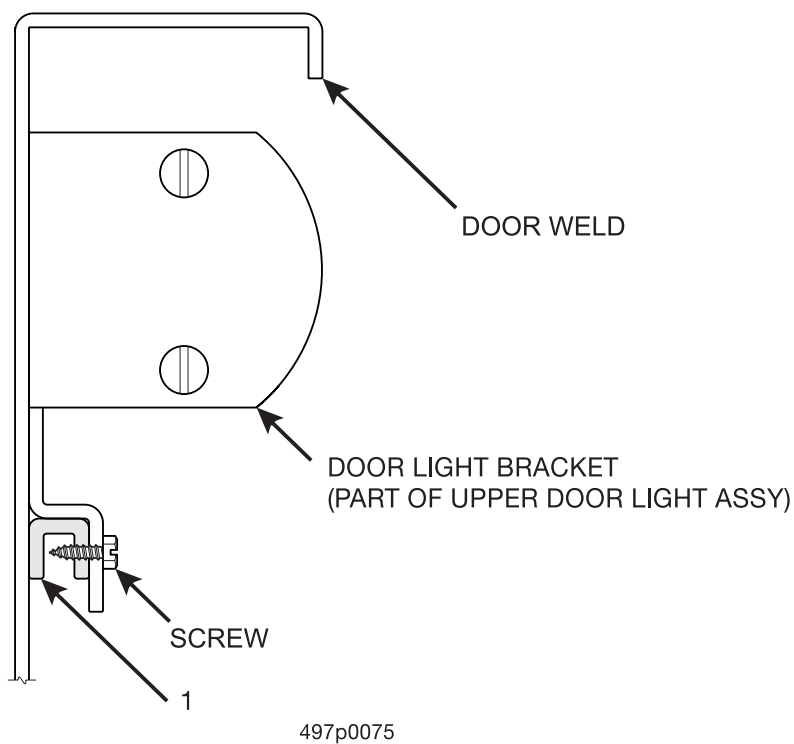
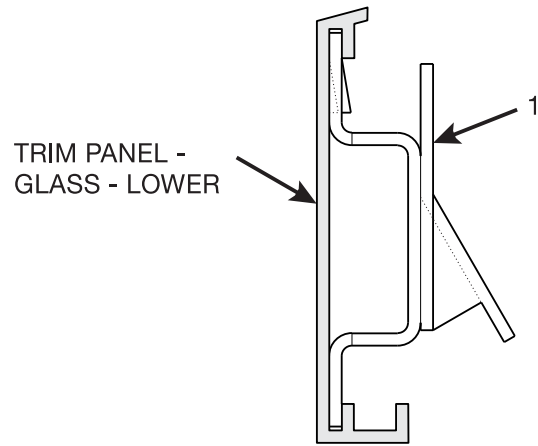


Figure 16. Upper Door Light Mounting

Expanded Refreshment Center Parts Manual

TABLE 16. LOWER GLASS SUPPORT PANEL

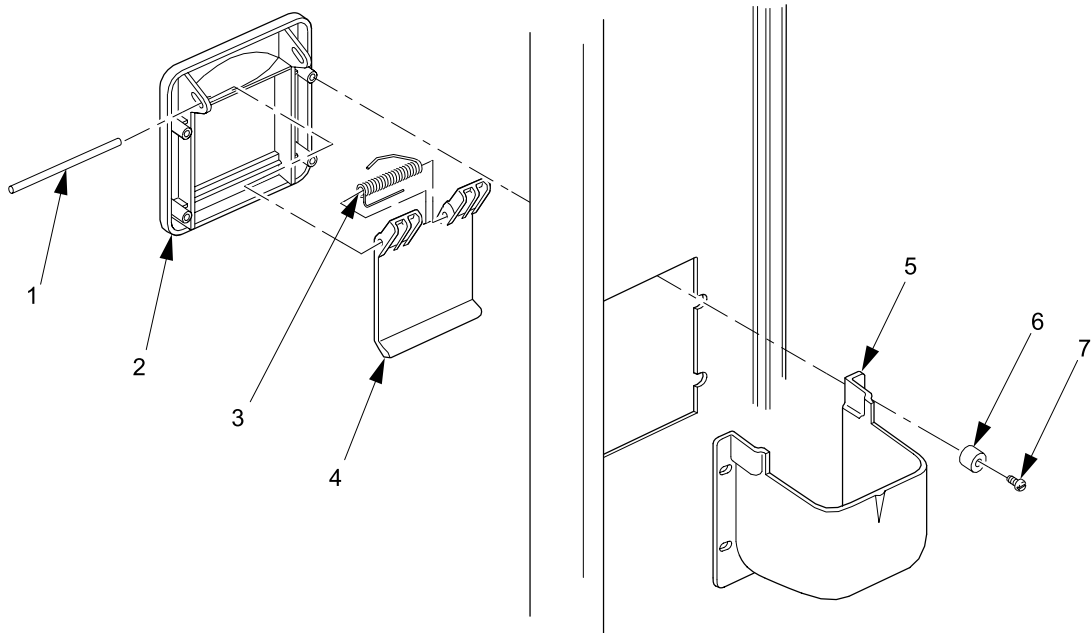
INDEX	PART NUMBER	DESCRIPTION	QTY.
1	4972141	PANEL ASSEMBLY - GLASS - LOWER	1



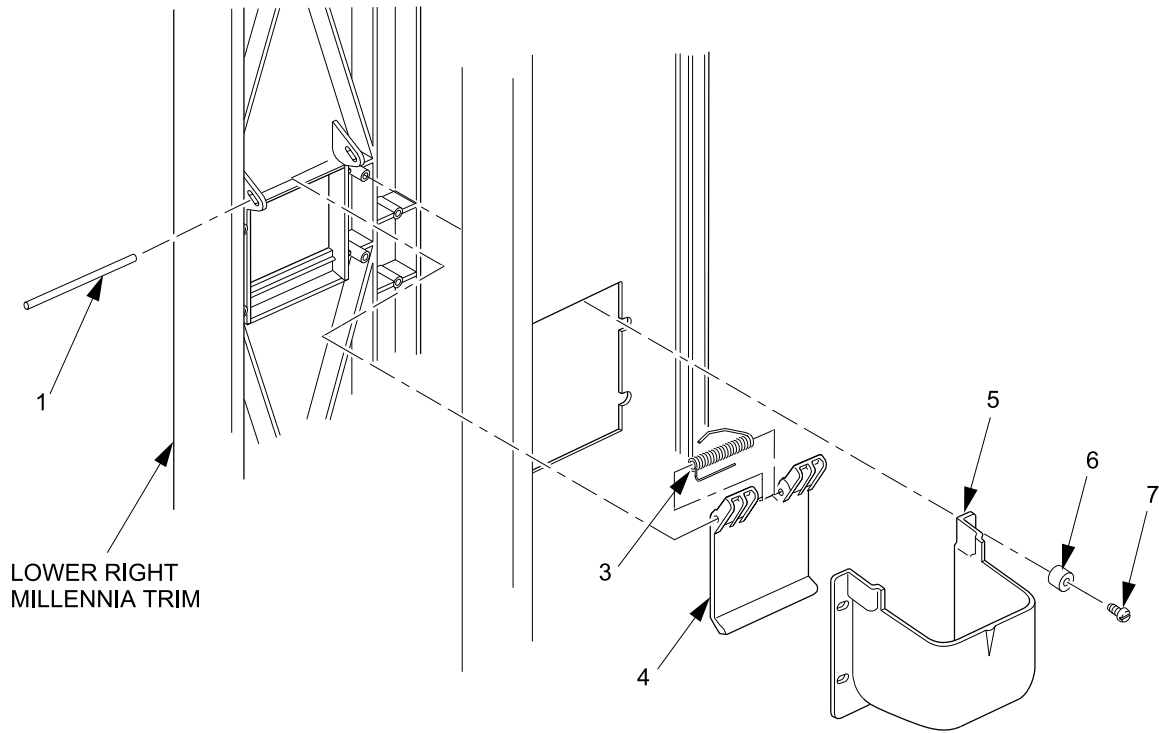
497p0069

Figure 17. Lower Glass Support Panel

Expanded Refreshment Center Parts Manual



COIN RECEPTACLE ASSEMBLY - STANDARD



COIN RECEPTACLE ASSEMBLY - MILLENNIA

497p0090

Figure 18. Coin Receptacle Assemblies

Expanded Refreshment Center Parts Manual

TABLE 17. COIN RECEPTACLE ASSEMBLIES

<i>INDEX</i>	<i>PART NUMBER</i>	<i>DESCRIPTION</i>	<i>QTY.</i>
1	2302093	SPACER - CUP	4
2	4042512	SCREW - #8-32 X 1/2 - PHS - S/T	4
3	1572010	CUP - COIN RETURN	1
4	4245082	GATE - COIN RETURN	1
5	4245083	SPRING - COIN RETURN DOOR	1
6	4245084	SHAFT - DOOR - COIN RETURN	1
7	1572011	TRIM - COIN CUP - BLACK (STANDARD DOOR ONLY)	1

Expanded Refreshment Center Parts Manual

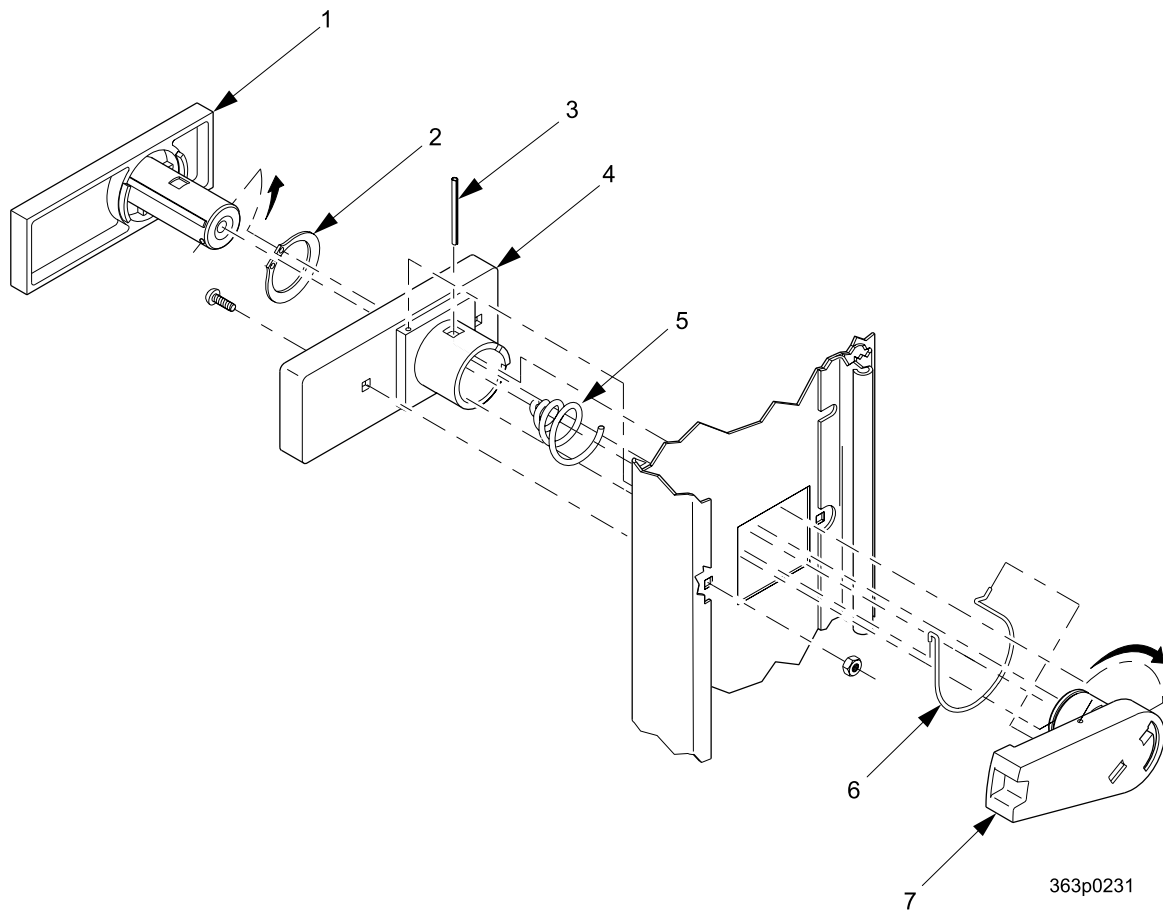
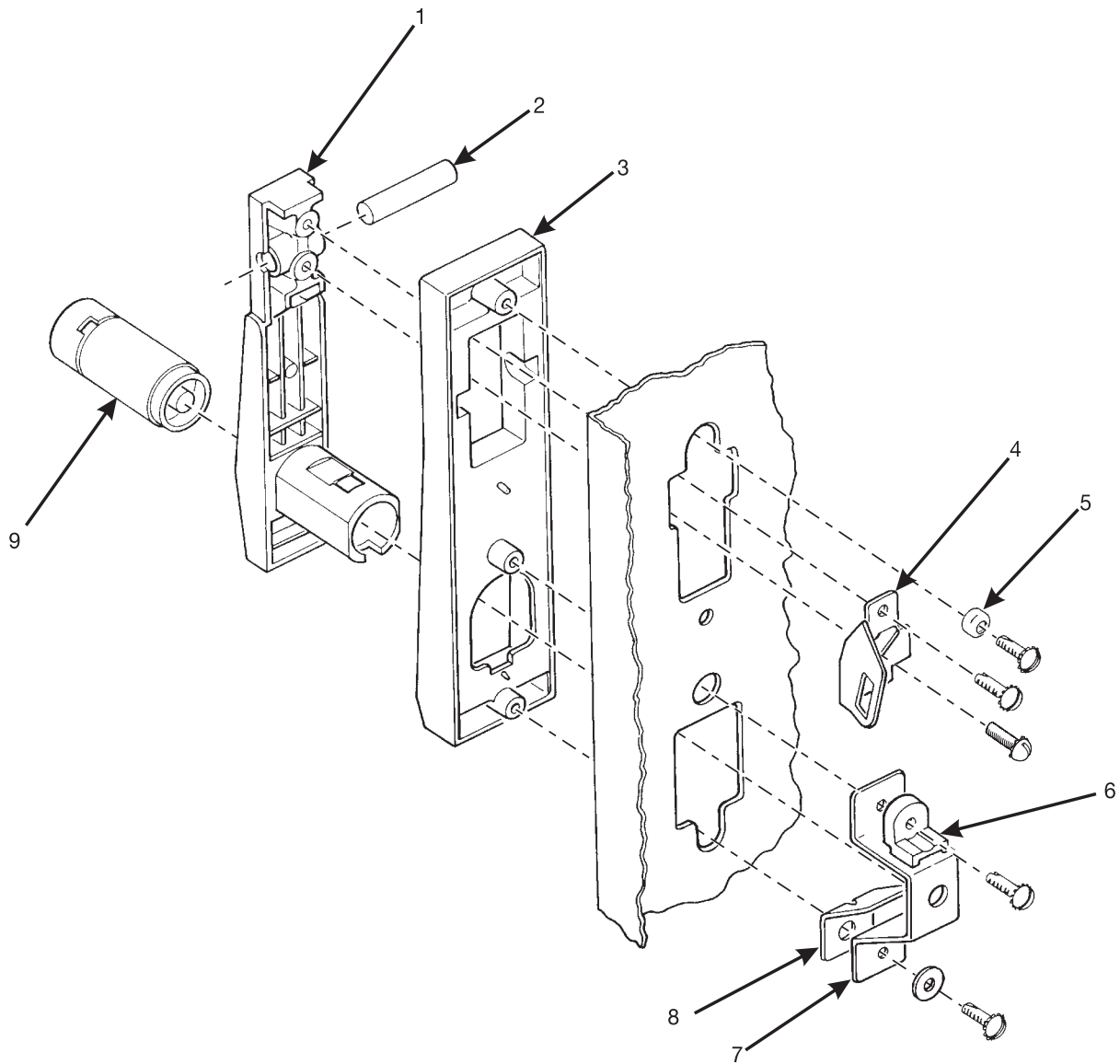


Figure 19. Millennium Door Lock and Handle Assembly

Expanded Refreshment Center Parts Manual

TABLE 18. MILLENNIA DOOR LOCK AND HANDLE ASSEMBLY

<i>INDEX</i>	<i>PART NUMBER</i>	<i>DESCRIPTION</i>	<i>QTY.</i>
1	1572397	LEVER - HANDLE	1
2	1572199	RETAINING RING - LOCK ACTUATOR	1
3	6104218	ROLL PIN 1/8" X 1"	1
4	1572396	BASE - LOCK HANDLE	1
5	1572203	SPRING - LOCK	1
6	1572398	ACTUATOR - LOCK	1
7	1572204	SPRING - LIFT - ACTUATOR	1



797p0001

Figure 20. Door Lock and Handle Assembly

Expanded Refreshment Center Parts Manual

TABLE 19. DOOR LOCK AND HANDLE ASSEMBLY

<i>INDEX</i>	<i>PART NUMBER</i>	<i>DESCRIPTION</i>	<i>QTY.</i>
1	1172190	LEVER - LOCK	1
2	1302291	PIVOT - LEVER LOCK	1
3	1172191	BASE - LEVER LOCK	1
4	2272052	ACTUATOR ASSEMBLY - LOCK BAR	1
5	1302289	CUP SPACER	1
6	1302326	SHIELD - LATCH	1
7	1302324	CATCH - DOOR LATCH	1
8	1302290	LATCH - LOCK LOWER	1
9	9992400	CYLINDER - LOCK	1
	3112163	VAN LOCK	OPT.
-	3112164	KEY (NOT SHOWN) VAN LOCK APPLICATION (NOT SHOWN)	1 OPT.

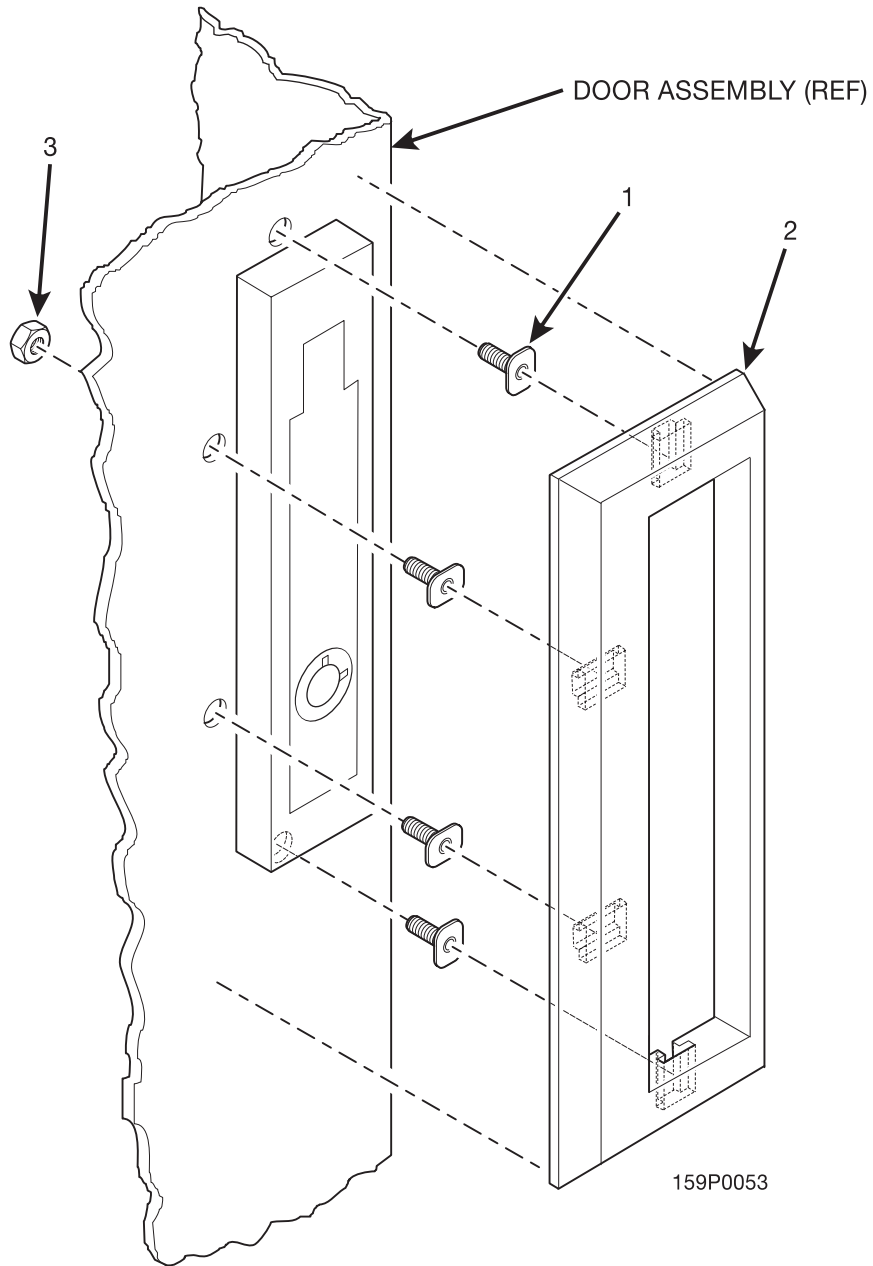


Figure 21. Door Lock Guard Accessory

Expanded Refreshment Center Parts Manual

TABLE 20. DOOR LOCK GUARD ACCESSORY

<i>INDEX</i>	<i>PART NUMBER</i>	<i>DESCRIPTION</i>	<i>QTY.</i>
-	1572188	DOOR LOCK GUARD KIT (INCLUDES ALL THE FOLLOWING ITEMS)	-
1	2222031	T-BOLT - TRIM	4
2	1572186	GUARD - LOCK	1
3	9900081	NUT - #8-32 - KEPS - ZINC PLATE	4
-	1572187	TEMPLATE AND INSTRUCTIONS (NOT SHOWN)	1

NOTE

This accessory requires drilling holes for T-bolts.

Expanded Refreshment Center Parts Manual

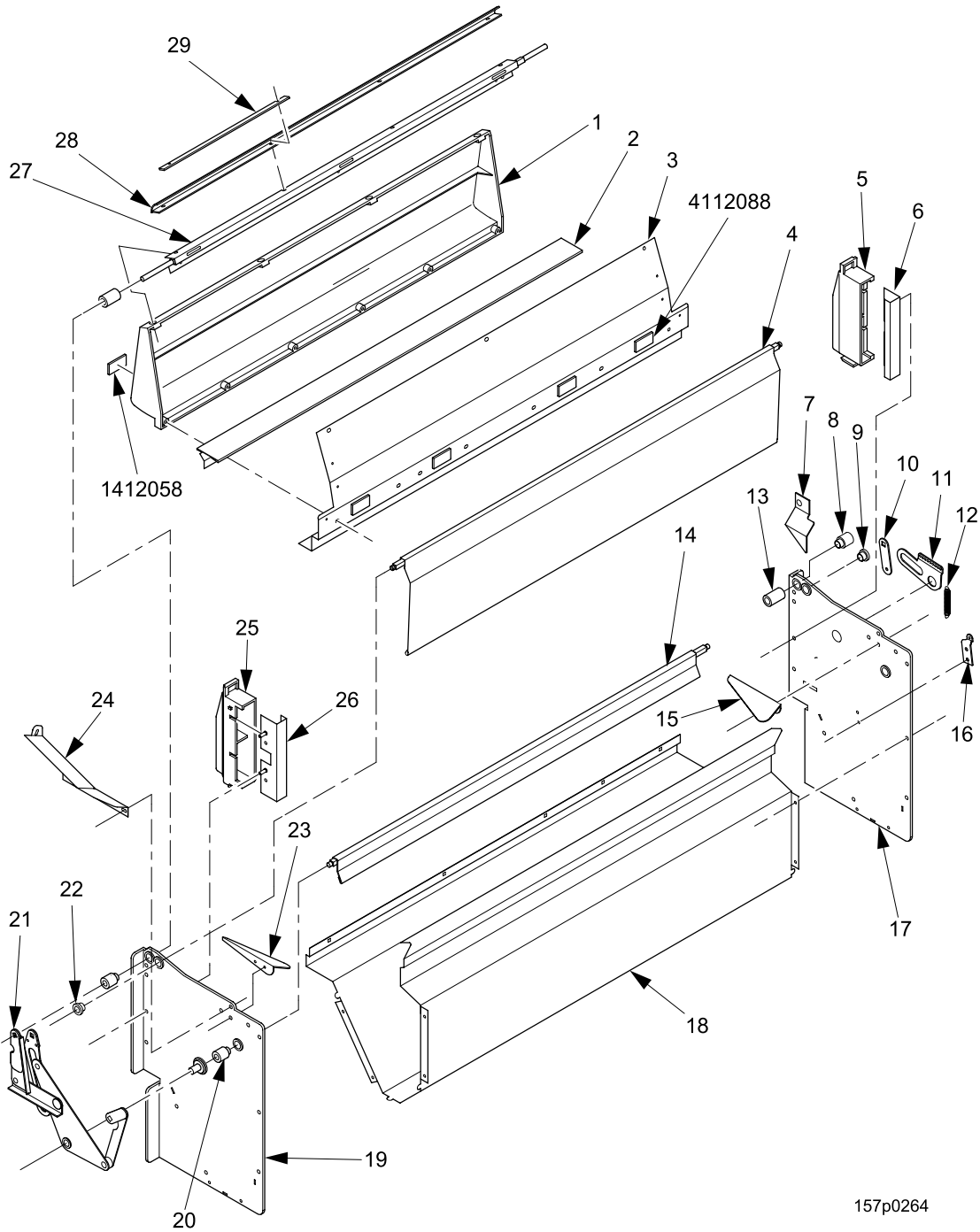


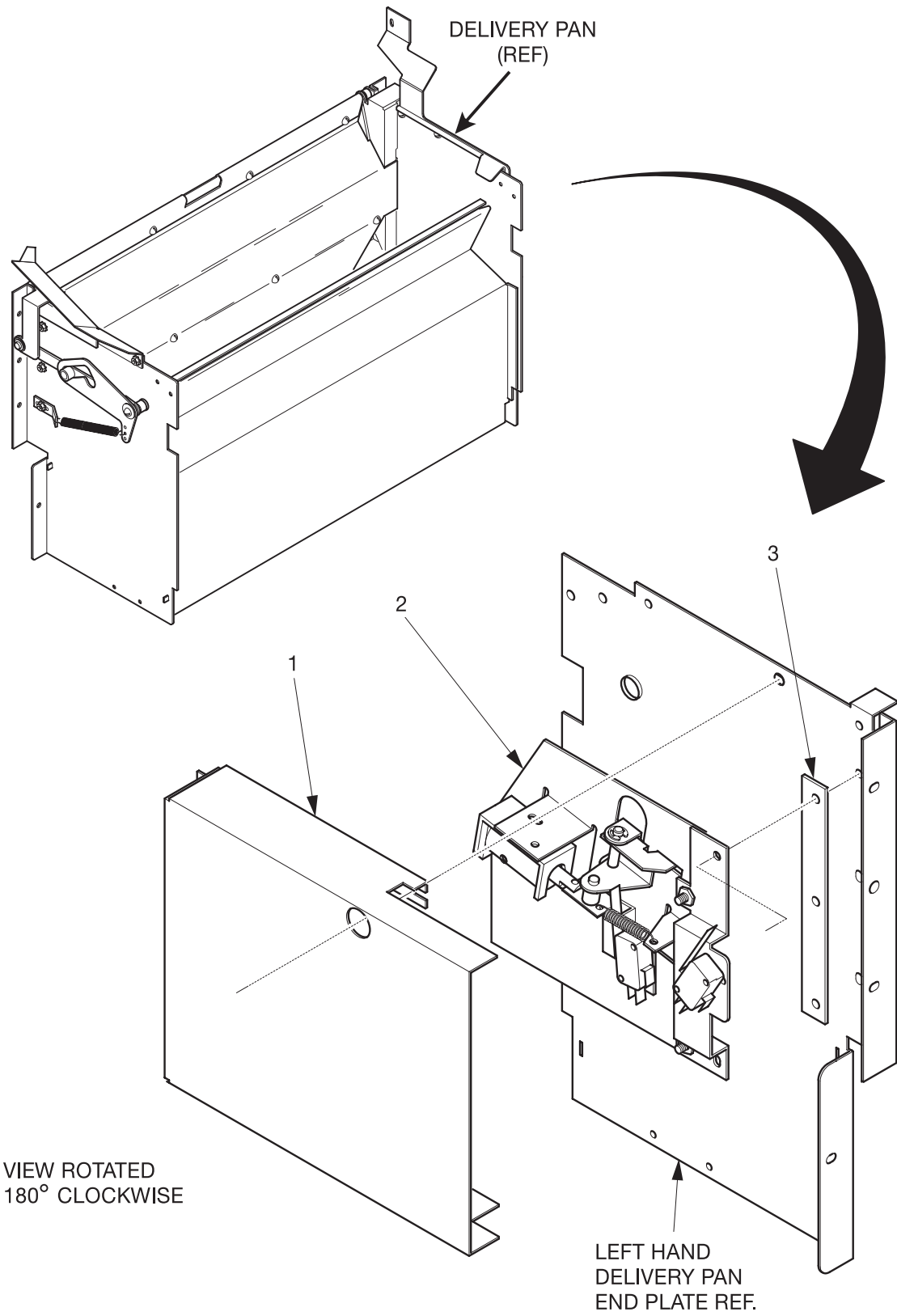
Figure 22. Delivery Pan Assembly (Part 1)

Expanded Refreshment Center Parts Manual

TABLE 21. DELIVERY PAN ASSEMBLY (PART 1)

INDEX	PART NUMBER	DESCRIPTION	QTY.
-	4972168	DELIVERY PAN ASSEMBLY - 40"	
1	4972102	DOOR - DELIVERY - 40"	
2	4972161	FILLER - FRONT - 40"	
3	4972160	BACK - DELIVERY DOOR - 40"	
4	4972205	DOOR ASSEMBLY - PILFERAGE - 40"	
5	1572229	FILLER - LEFT HAND	1
6	1572301	CHANNEL & STUD ASSEMBLY - L.H.	1
7	1582225	DEFLECTOR - L.H. - 32"	1
8	1572416	SLEEVE - DELIVERY DOOR	2
9	1572418	SLEEVE - PILFER & REAR DR. - L.H	2
10	1572353	ARM ASSEMBLY - SPRING ASSIST	1
11	1572423	ACTUATOR ASSEMBLY. - SPRING ASSIST	1
12	1572420	SPRING	1
13	1572315	SPACER - DELIVERY DOOR	2
14	4972183	DOOR ASSEMBLY - REAR - 40"	
15	1572322	DEFLECTOR - INNER - L.H.	1
16	1572421	ANCHOR - SPRING	1
17	1572425	SIDE PLATE ASSEMBLY - R.H.	1
18	4972190	WELD ASSEMBLY - DELIVERY PAN - 40"	
19	1572424	SIDE PLATE ASSEMBLY - L.H.	1
20	1572409	SPACER - SHAFT	1
21	1572410	LINKAGE ASSEMBLY - R.H.	1
22	1572417	SLEEVE - PILFER & REAR DR. - R.H	2
23	1572321	DEFLECTOR - INNER - R.H.	1
24	1572029	DEFLECTOR - PRODUCT - R.H.	1
25	1572230	FILLER - RIGHT HAND	1
26	1572300	CHANNEL & STUD ASSEMBLY - R.H.	1
27	4972211	CHANNEL ASSEMBLY - 40" - DELIVERY DO	
28	4972212	GUARD - DELIVERY DOOR - UPPER - 40	
29	4972213	STRIP - THREADED - 40"	

Expanded Refreshment Center Parts Manual



497p0082

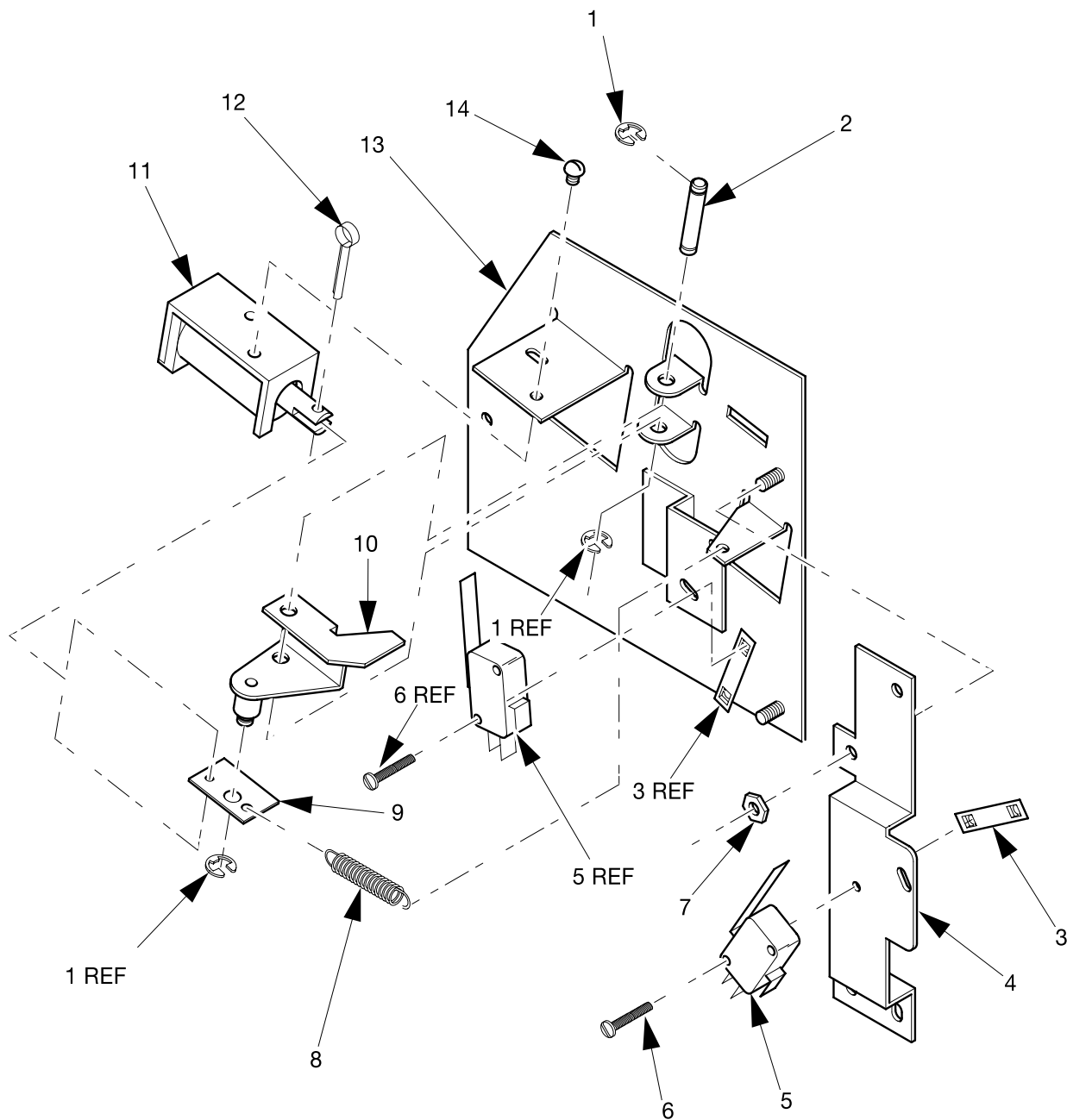
Figure 23. Delivery Pan Assembly (Part 2) - Food Option Only

Expanded Refreshment Center Parts Manual

TABLE 22. DELIVERY PAN ASSEMBLY (PART 2) - FOOD OPTION ONLY

<i>INDEX</i>	<i>PART NUMBER</i>	<i>DESCRIPTION</i>	<i>QTY.</i>
1	402027	COVER - LATCH MECHANISM	1
2	-	DELIVERY PAN SOLENOID LOCK ASSEMBLY (SEE FIGURE 24 FOR DETAILS)	OPT.
3	1572265	SPACER - SOLENOID LOCK	1

Expanded Refreshment Center Parts Manual



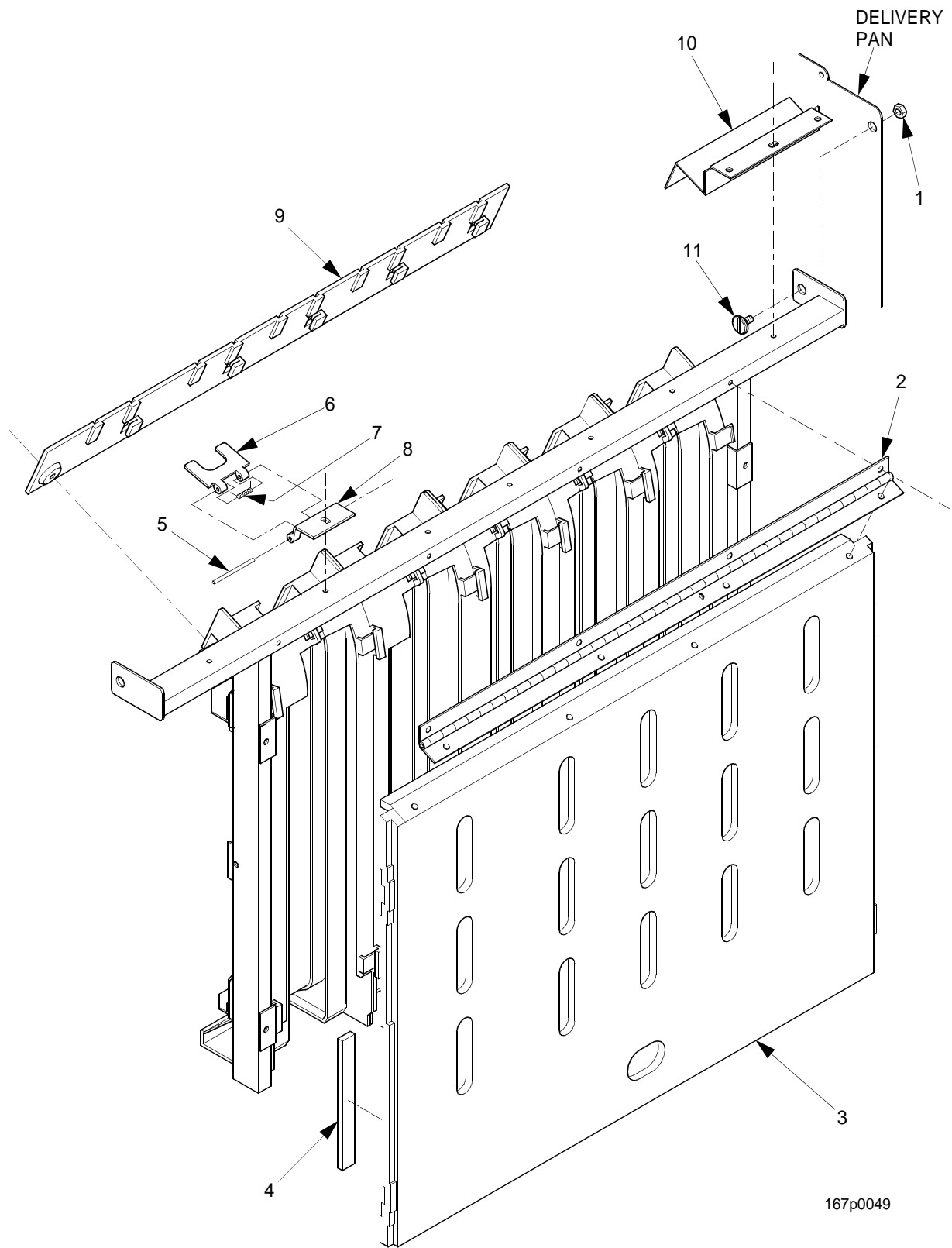
467p0008

Figure 24. Delivery Pan Solenoid Lock Assembly - Food Option Only

Expanded Refreshment Center Parts Manual

TABLE 23. DELIVERY PAN SOLENOID LOCK ASSEMBLY - FOOD OPTION ONLY

<i>INDEX</i>	<i>PART NUMBER</i>	<i>DESCRIPTION</i>	<i>QTY.</i>
1	9900418	RETAINING RING - REINF. E-TYPE .187	3
2	4402022	PIN - LATCH	1
3	4302316	FASTENER - TWIN TYPE	2
4	1572264	BRACKET - SWITCH MOUNTING	1
5	9984633	SWITCH - LEVER - 1 7/8	2
6	1217160	#4-40 X 5/8 RHS MACHINE SCREW Z/Y	4
7	9900081	NUT #8032 KEPS - Z/P	2
8	1127808	SPRING	1
9	4402047	LINK - SOLENOID	1
10	4402023	LATCH AND STUD ASSEMBLY	1
11	4252030	SOLENOID - 24 VDC	1
12	9900098	COTTER PIN 3/32 X 3/4	1
13	1572266	PLATE AND BRACKET ASSEMBLY	1
14	9900090	SCREW #6-32 X 3/16 RHS - W/LKW	2



167p0049

Figure 25. Gum and Mint Assembly (Part 1)

Expanded Refreshment Center Parts Manual

TABLE 24. GUM AND MINT ASSEMBLY (PART 1)

INDEX	PART NUMBER	DESCRIPTION	QTY.
-	1577000X	GUM & MINT COLUMN (167, 267, 764)	-
-	1587000X	GUM & MINT COLUMN (168, 268, 765, 784, 787)	-
1	1477048	SPIRAL-25 CT LH	1
2	1479104	HINGE - COVER	1
-	1479125	COVER ASSEMBLY (INCLUDES THE NEXT TWO ITEMS)	-
3	1479101	COVER - GUM & MINT	1
4	1479119	MAGNET - RETAINER	2
5	1479083	PIN - HINGE	5
6	1479081	HINGE - FRONT	5
7	1479084	SPRING - HINGE	5
8	1479082	HINGE - BACK	5
9	1479105	WINDOW - GUM & MINT	1
10	1479103	FILLER - GUM & MINT	2
11	1479052	STUD - PIVOT - G & M	2

Expanded Refreshment Center Parts Manual

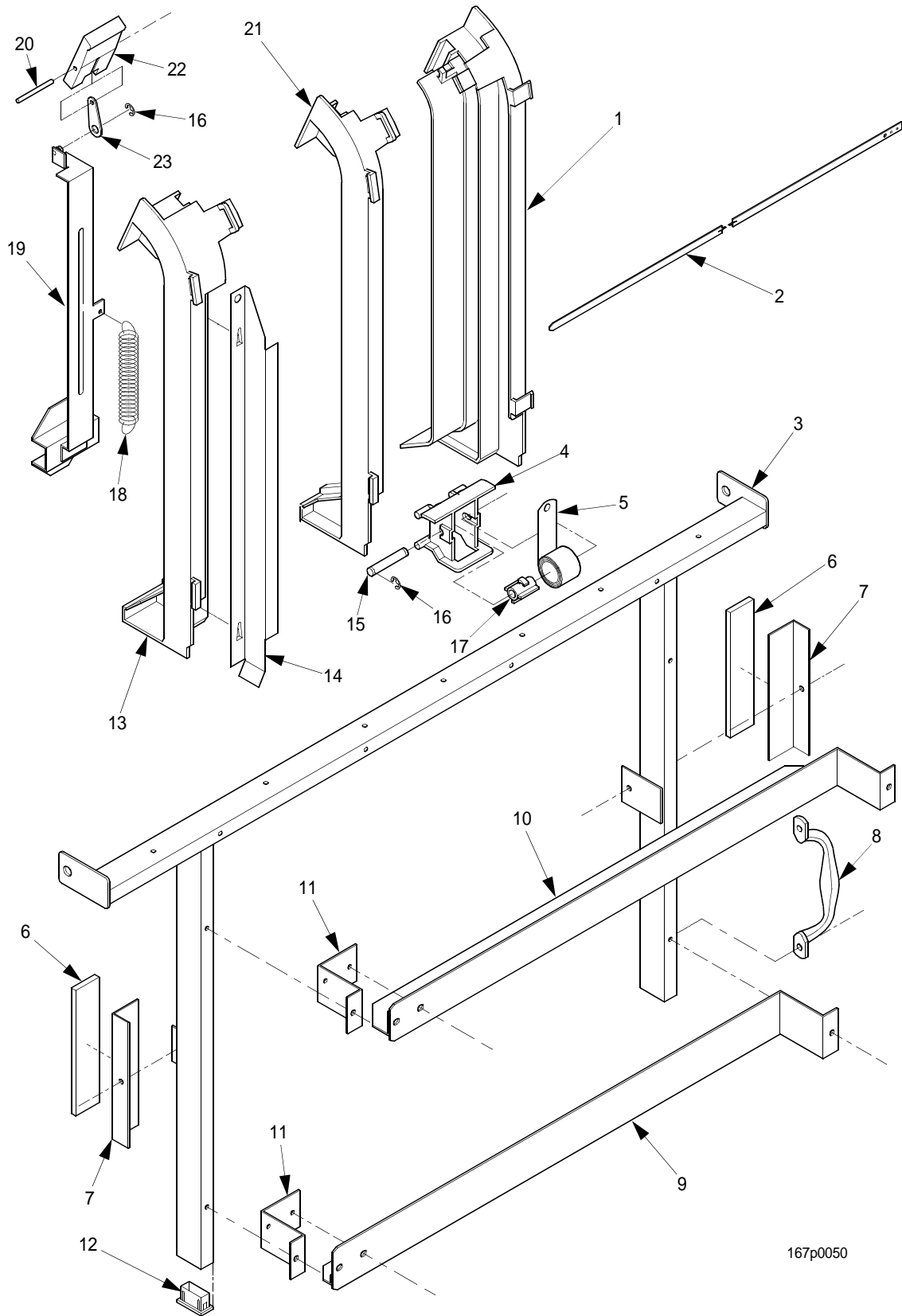


Figure 26. Gum and Mint Assembly (Part 2)

Expanded Refreshment Center Parts Manual

TABLE 25. GUM AND MINT ASSEMBLY (PART 2)

INDEX	PART NUMBER	DESCRIPTION	QTY.
1	1479075	CHANNEL - GUM & MINT - LEFT	5
2	1579053	RETAINER	3
3	1479136	FRAME ASSEMBLY - GUM & MINT (167, 267, 764)	1
	1489008	FRAME ASSEMBLY - GUM & MINT (168, 268, 765, 784, 787)	
4	1479079	PUSHER	5
5	1479106	SPRING - PUSHER	5
6	3122056	MAGNET RETAINER - COIN CHANGER	2
7	1479117	ANGLE - MAGNET	2
8	1479139	PULL - DOOR	1
9	1479092	SUPPORT ASSEMBLY - MAGAZINE - LOWER	1
10	1479089	SUPPORT ASSEMBLY - MAGAZINE - UPPER	1
11	1479095	BRACKET - MAGAZINE	2
12	1479120	CAPLUG - REC. ½ X 1	2
13	1479077	CHANNEL - GUM & MINT - RIGHT - LARGE	2
14	1479064	SPACER - COLUMN - G & M	2
15	1479099	PIN - PUSHER	5
16	9900425	RETAINING RING REINF E TYP. 250	15
17	1479080	SPOOL - SPRING	5
18	4246307	SPRING - HORIZONTAL SELECTOR ARM	5
19	1677171	DRIVE BAR & STUD ASSEMBLY	5
20	1479098	PIN - EJECTOR	5
21	1479076	CHANNEL - GUM & MINT - RIGHT - SMALL	3
22	1479078	EJECTOR - GUM & MINT	5
23	1479097	LINK - EJECTOR	5
-	1579012	HARNESS - GUM & MINT (NOT SHOWN)	1

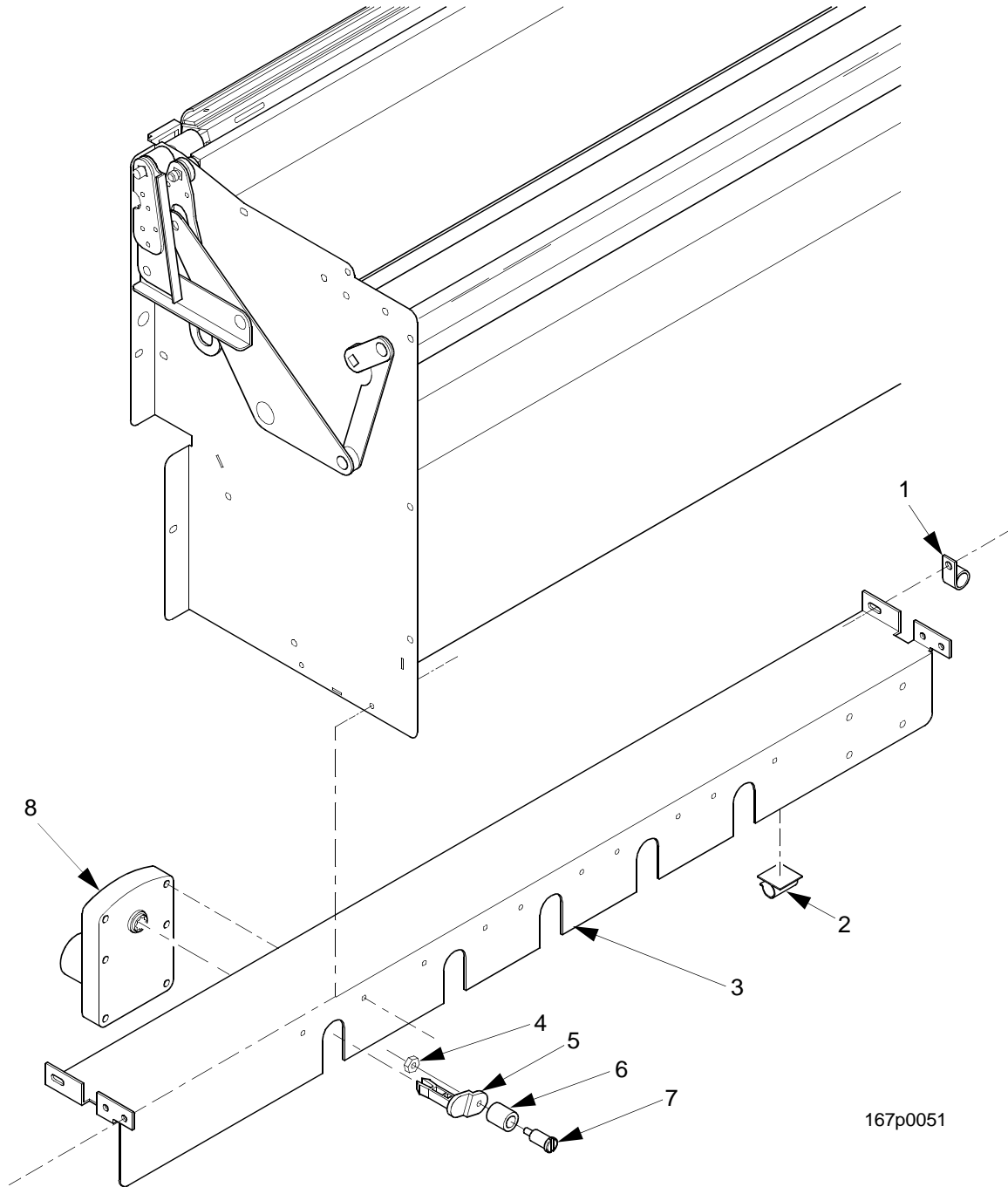


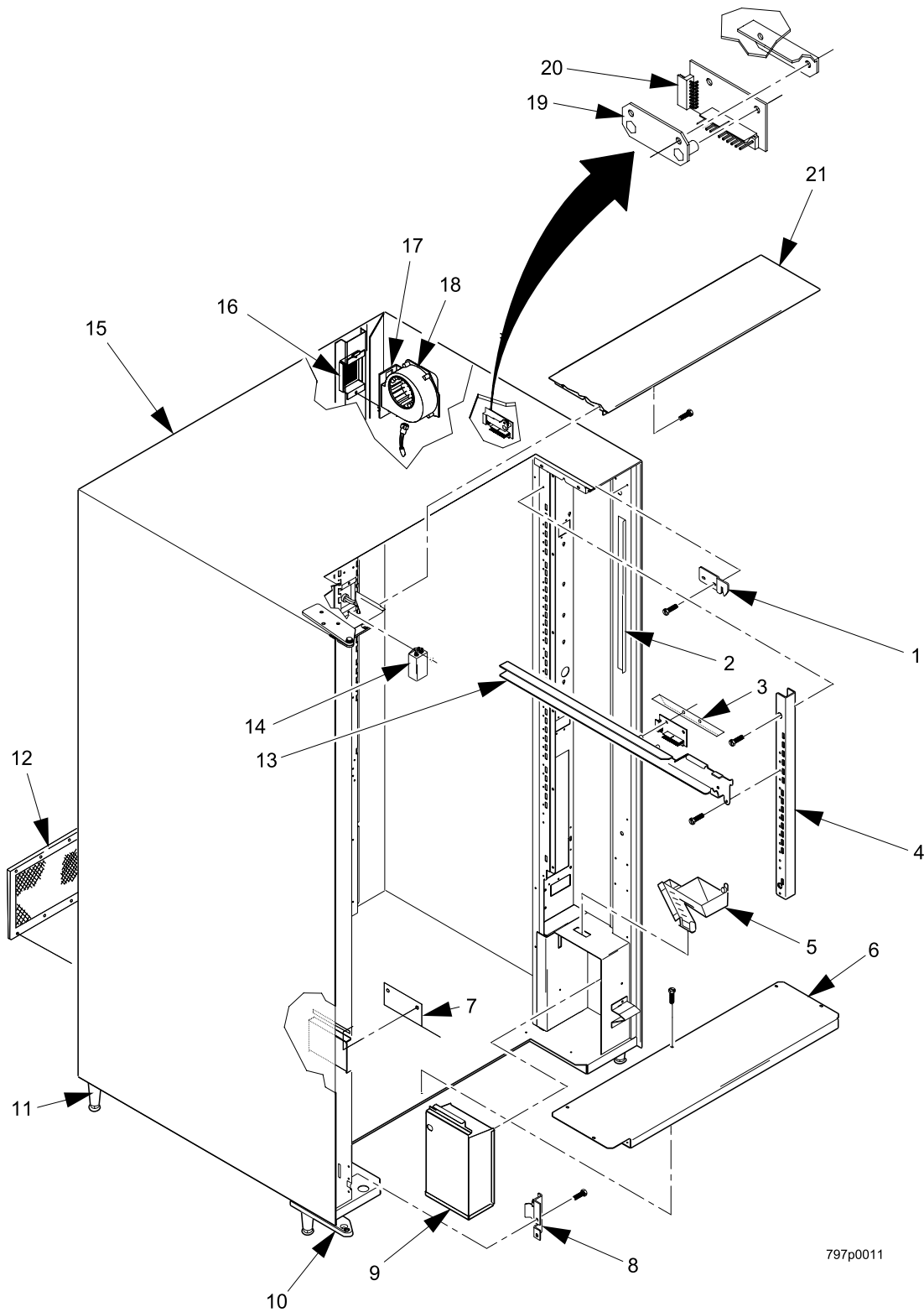
Figure 27. Gum and Mint Assembly (Part 3)

Expanded Refreshment Center Parts Manual

TABLE 26. GUM AND MINT ASSEMBLY (PART 3)

INDEX	PART NUMBER	DESCRIPTION	QTY.
1	1452139	RETAINER - HARNESS	1
2	6131143	CABLE CLAMP - RICHCO #KKC6	2
3	1489005	ANGLE - MOTOR (168, 268, 765, 784, 787)	1
	1572351	ANGLE - MOTOR (167, 267, 764)	
4	9900081	NUT #8-32 KEPS ZINC PLATE	5
5	1479145	ARM - DRIVE MOTOR	5
6	1479063	ROLLER - DRIVE ARM	5
7	1479062	STUD - DRIVE ARM	5
8	1577038	MOTOR & PC BOARD ASSEMBLY	5

Expanded Refreshment Center Parts Manual



797p0011

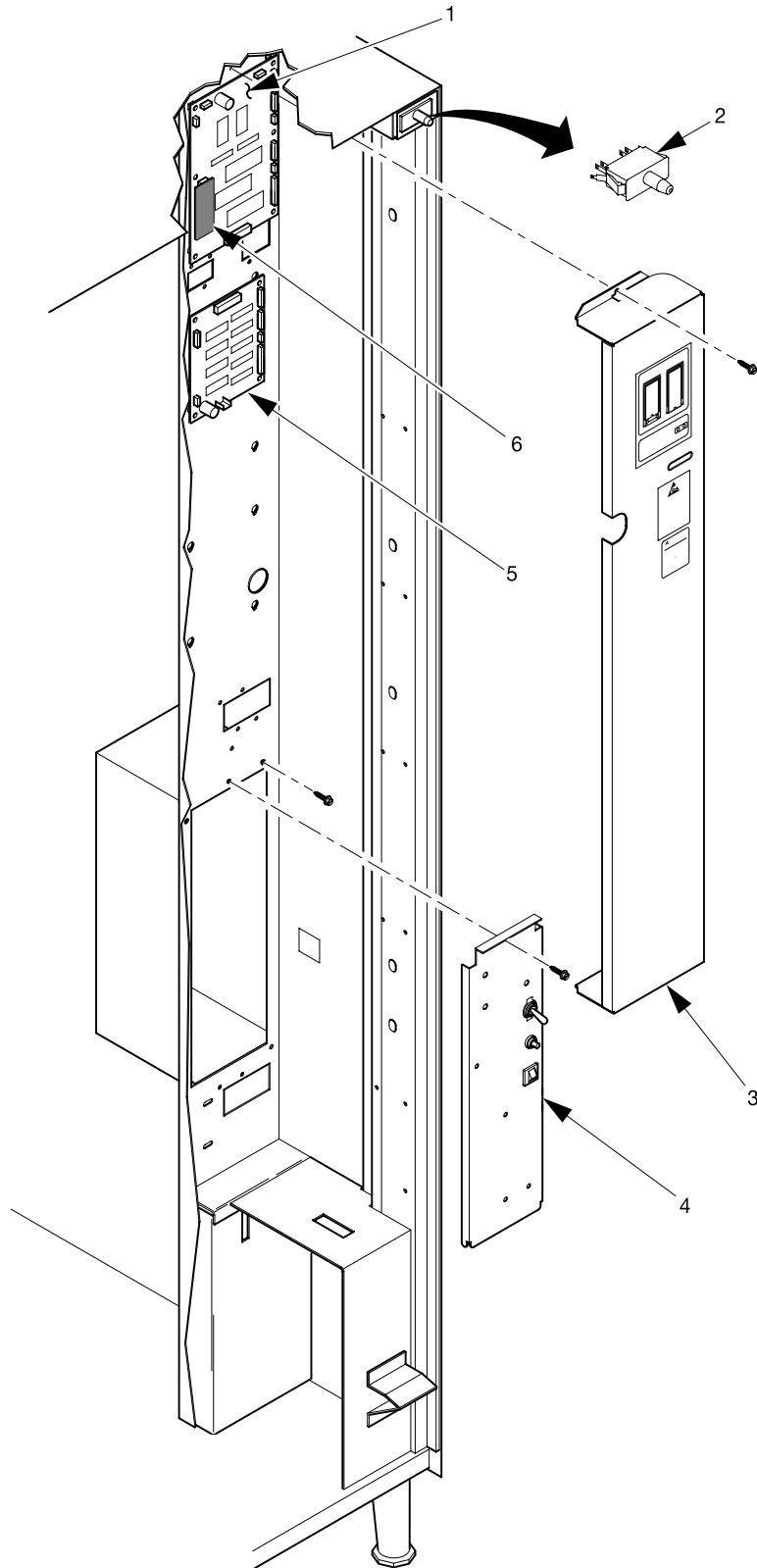
Figure 28. Common Cabinet (Part 1 of 2)

Expanded Refreshment Center Parts Manual

TABLE 27. COMMON CABINET (PART 1 OF 2)

INDEX	PART NUMBER	DESCRIPTION	QTY.
1	1571074	LOCK ARM - CABINET	2
2	1571022	STOP - MONETARY PANEL	2
3	1571229	SHIELD - TRAY RAIL/PCB	OPT.
4	4971022	SPACER - L.H.RAIL MOUNTING	
	4971025	SPACER - R.H.RAIL MOUNTING	
5	6231242	CHUTE - PAYOUT	1
6	4971042	BASE FILLER ASSEMBLY - N.V. BLACK	1
	4971044	BASE FILLER ASSEMBLY - MILLENNIA GRAY	
7	4841020	DEFLECTOR - RC-2 WITH MODULE	1
8	1571090	PLATE ASSEMBLY - DOOR CHECK	1
9	1571029	MONEY BOX ASSEMBLY	1
10	6231163	LEG, HINGE, AND LEVELER ASSEMBLY	1
11	1471237	LEG AND LEVELER ASSEMBLY - CABINET	3
12	4971007	SCREEN ASSEMBLY - VENT	1
13	1571235	TRAY GUIDE RAIL ASSEMBLY - R.H. (TOP AND MIDDLE)	2
	4971049	TRAY GUIDE RAIL ASSEMBLY - R.H. (BOTTOM)	1
	1571181	TRAY GUIDE RAIL ASSEMBLY - L.H. (TOP AND MIDDLE)	2
	4971026	TRAY GUIDE RAIL ASSEMBLY - L.H. (BOTTOM)	1
14	9989110	FILTER - PANEL LINE - 3MI	1
15	4971047	CABINET WELD - N.V. BLACK	1
	4971048	CABINET WELD - MILLENNIA GRAY	
16	9989637	JUMPER - BLOWER	1
	1471054	BRACKET & SCREEN ASSEMBLY - EXHAUST	
17	1471398	BRACKET - EXHAUST FAN	1
	6231548	BLOWER ASSEMBLY - 115 V	1
18	6401088	BLOWER ASSEMBLY - 230 V	
19	1571175	PLATE - PCB RAIL - MOUNTING	1
20	1596012	PCB ASSEMBLY - TRAY	1
	4971041	TOP FILLER ASSEMBLY - N.V. BLACK	1
21	4971043	TOP FILLER ASSEMBLY - MILLENNIA GRAY	
<i>THE MONEY BOX LOCK ACCESSORY INCLUDES THE FOLLOWING:</i>			
-	1101906	MONEY BOX LOCK - CHICAGO - LK #1801	1
-	2221920	KEY - CHICAGO LOCK - #1801	1
-	2222603	NUT - LOCK RETAINING	1
-	2222604	WASHER - LOCK BARREL - #2693	1

Expanded Refreshment Center Parts Manual



785p0007

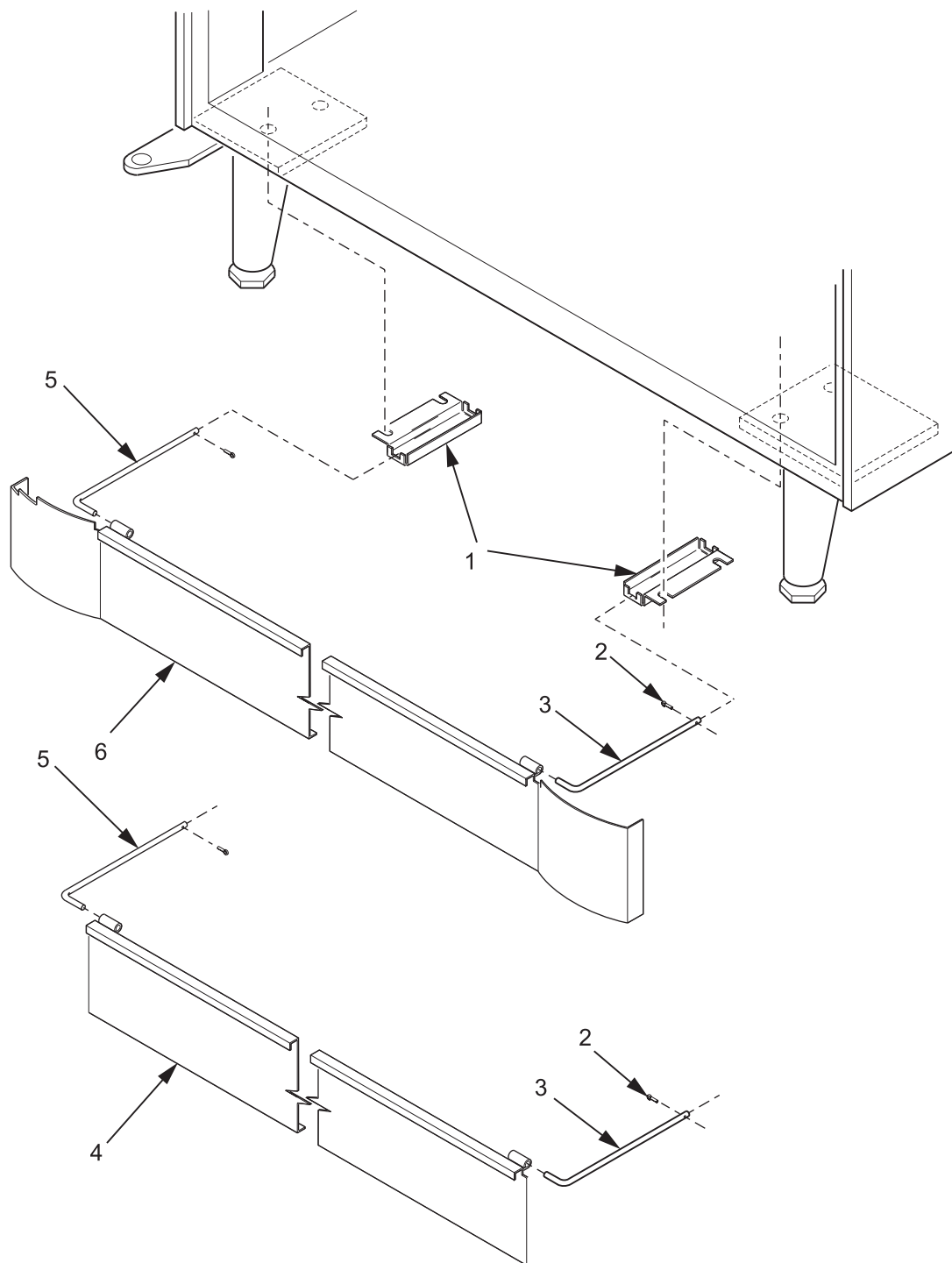
Figure 29. Common Cabinet (Part 2 of 2)

Expanded Refreshment Center Parts Manual

TABLE 28. COMMON CABINET (PART 2 OF 2)

<i>INDEX</i>	<i>PART NUMBER</i>	<i>DESCRIPTION</i>	<i>QTY.</i>
1	1586017	MAIN CONTROLLER WITH EPROM	1
2	1211141	SWITCH INTERLOCK (115V MACHINES)	1
	2366135	SWITCH INTERLOCK (230V MACHINES)	
3	1571112	COVER - CONTROL/INTERFACE PCB	1
4	-	POWER PANEL ASSEMBLY	1
5	1576008	PCB ASSEMBLY - SNACK INTERFACE	1
6	9989687	PCB ASSEMBLY - EXECUTIVE INTERFACE (USED WITH EXEC COIN MECH. OPTION)	1

Expanded Refreshment Center Parts Manual



797p0008

Figure 30. Base Plate Assembly

Expanded Refreshment Center Parts Manual

TABLE 29. BASE PLATE ASSEMBLY

<i>INDEX</i>	<i>PART NUMBER</i>	<i>DESCRIPTION</i>	<i>QTY.</i>
1	6231087	BASE PLATE BRACKET	2
2	9900098	COTTER PIN	2
3	1411194	SLIDE - R.H.	1
4	4851082	BASE PLATE ASSEMBLY - MILLENNIA	1
	4111091	BASE PLATE ASSEMBLY - STANDARD	
5	1411195	SLIDE - L.H.	1

TABLE 30. CABINET INSULATION (MODEL 798 ONLY)

<i>PART NUMBER</i>	<i>DESCRIPTION</i>	<i>QTY.</i>
1451097	SCREW - #8-32 X .31 - HEX HD - T/F - BLACK	
4611007	SHUTTER - AIR DUCT	
4611013	RETAINER - TOP INSULATION	1
4614126	GASKET - AIR DUCT	
4641025	COVER - AIR DUCT - BLACK	
4641054	INSULATION - AIR DUCT - RIGHT SIDE - BLACK	
4641059	EXTENSION - AIR DUCT - WHITE	
4774204	SEAL - 4614927 - 18" LONG	1
4911004	COVER AND DUCT ASSEMBLY - BLACK INSULATION	1
4911005	INSULATION - BLACK - LEFT HAND SIDE - FULL	1
4981001	ANGLE - INSULATION - REAR	2
4981002	SEAL - CABINET BACK - VERTICAL	2
4981004	SEAL - CABINET SIDE	2
4981006	GASKET - AIR DUCT - .38 THICK	
4981010	SEAL - CABINET BACK - HORIZONTAL	2
4981021	INSULATION - CABINET TOP - BLACK	1
4981025	INSULATION - R.H. SIDE PIECE - BLACK - 4 INCHES WIDE	1
4991022	INSULATION - CABINET BACK - 40 INCH - BLACK	1

Expanded Refreshment Center Parts Manual

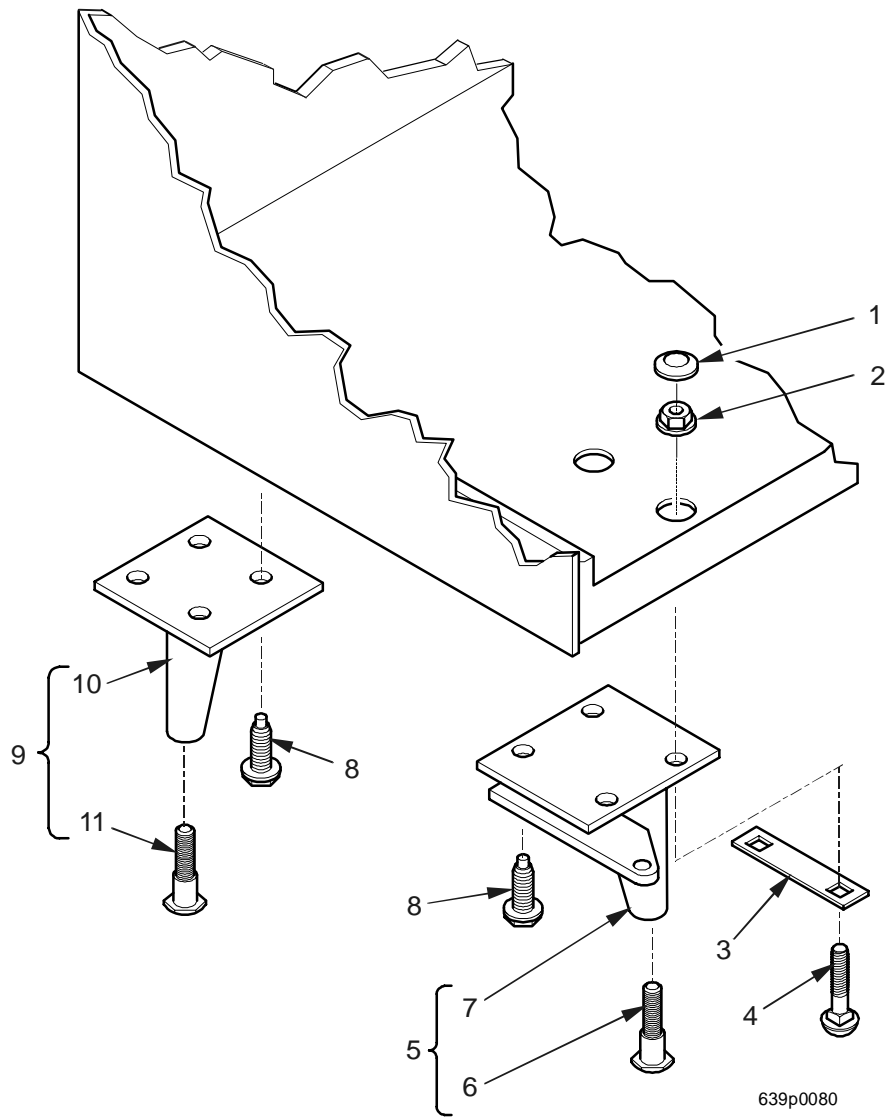


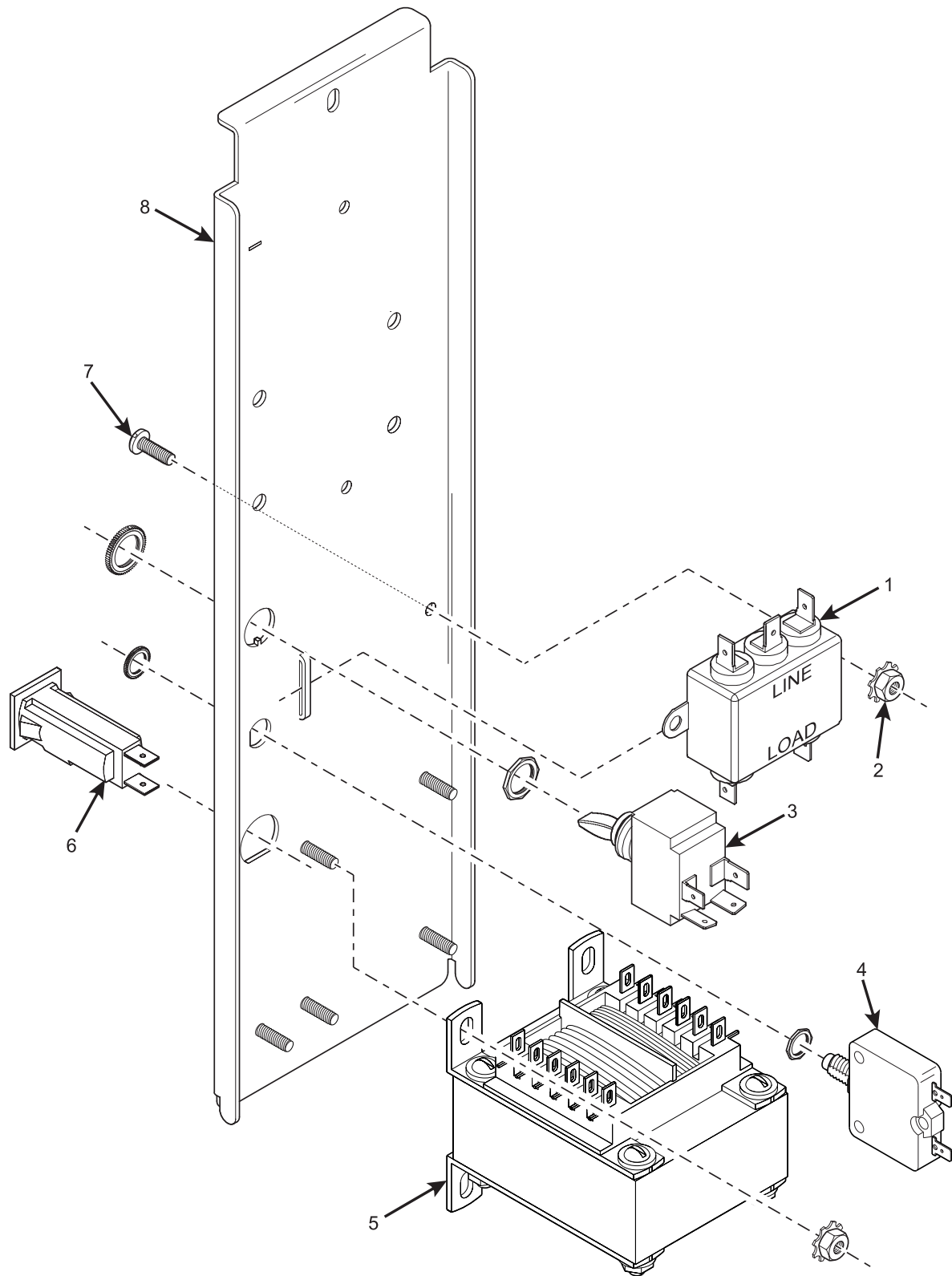
Figure 32. Leg, Leveler, and Leg and Hinge Assemblies

Expanded Refreshment Center Parts Manual

TABLE 31. LEG, LEVELER, AND LEG AND HINGE ASSEMBLIES

<i>INDEX</i>	<i>PART NUMBER</i>	<i>DESCRIPTION</i>	<i>QTY.</i>
1	6231034	PLUG - HOLE (NOT USED IN ALL APPLICATIONS)	2
2	1172021	NUT - 1/4-20 WHIZ-LOCK	2
3	6231203	PLATE - HINGE LEG BOLT	1
4	1211112	TRAY BOLT	2
5	6231163	LEG, HINGE, AND LEVELER ASSEMBLY	1
6	1471098	LEVELER - CABINET	1
7	1571115	LEG AND HINGE ASSEMBLY	1
8	9900218	SCREW - # 5/16 X 1 W/LOCKING RING	14
9	1471237	LEG AND LEVELER ASSEMBLY - CABINET	3
10	1571127	LEG ASSEMBLY - CABINET	1
11	1471098	LEVELER - CABINET	1

Expanded Refreshment Center Parts Manual



170P0036

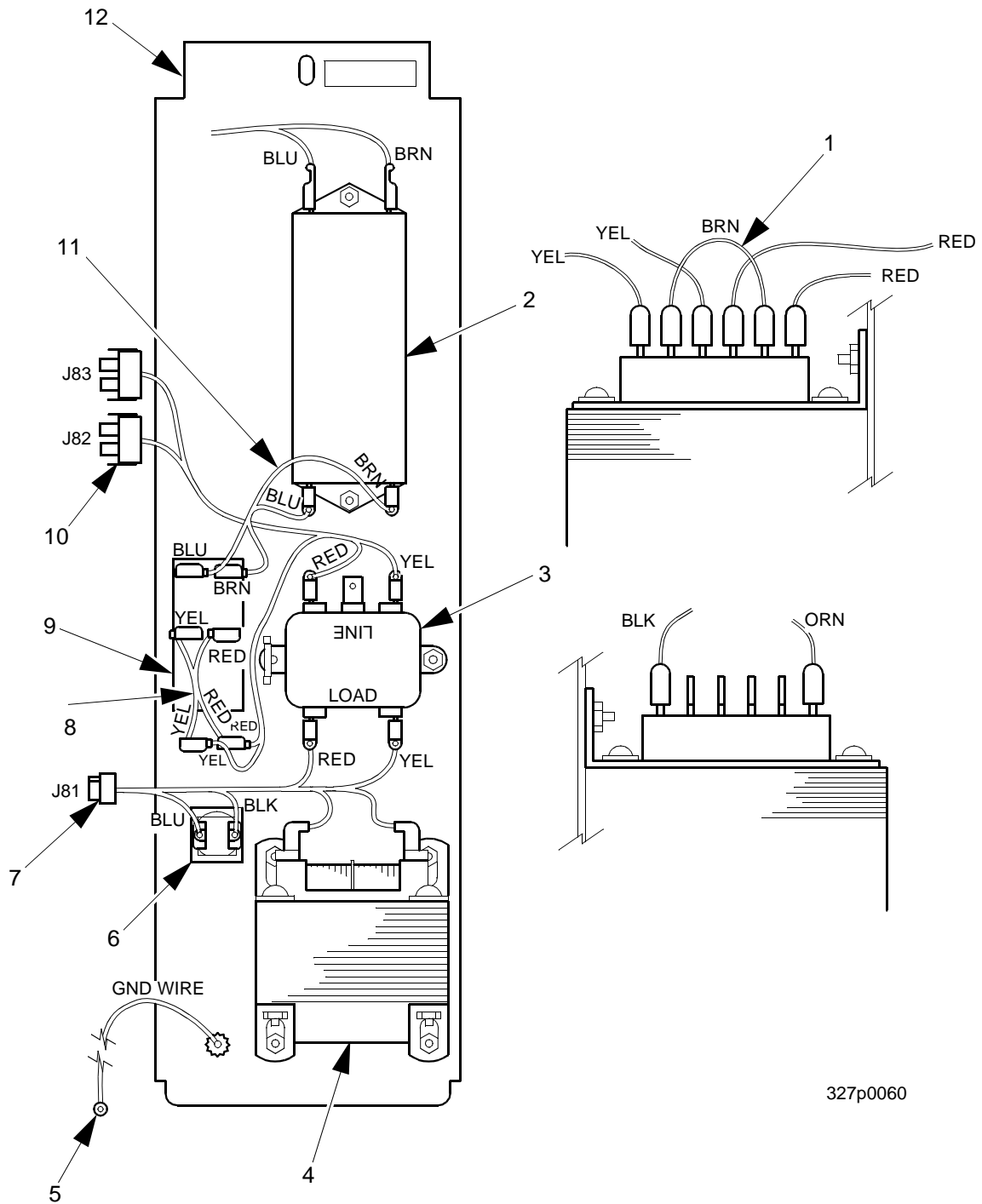
Figure 33. Power Panel Assembly - All 115 V

Expanded Refreshment Center Parts Manual

TABLE 33. POWER PANEL ASSEMBLY - ALL 115 V

INDEX	PART NUMBER	DESCRIPTION	QTY
-	1701015	POWER PANEL ASSEMBLY - DOMESTIC	-
1	9989100	INTERFERENCE FILTER	1
2	9900081	NUT - #8-32 KEPS ZINC PLATE	6
3	9984629	SWITCH - TOGGLE - DPST - 20 AMP	1
4	9989672	BREAKER - 15 AMP	1
5	9989046	24 V TRANSFORMER - DUAL PRI. - .187 TERM	1
6	9989674	CIRCUIT BREAKER - 4 AMP	1
7	1211110	8-32 X 1/4 RHS MACH SCREW - Z.P.	6
8	1701025	PLATE - HOUSING - PANEL	1
-	6849015	JUMPER - POWER SWITCH	1
-	9989110	FILTER - POWER LINE - EMI	1

Expanded Refreshment Center Parts Manual



327p0060

Figure 34. Power Panel Assembly - 230 V - France, Germany, Sweden

Expanded Refreshment Center Parts Manual

TABLE 34. POWER PANEL ASSEMBLY - 230 V - FRANCE, GERMANY, SWEDEN

INDEX	PART NUMBER	DESCRIPTION	QTY
-	4521041	POWER PANEL ASSY-230V FR/GER	REF
1	4279001	JUMPER-230V-XFMR PRI	1
2	9989110	FILTER-POWER LINE-EMI	1
3	9989100	INTERFERENCE FILTER	1
4	9989046	24V XFMR-DUAL PIR.-.187 TERM	1
5	9984094	WIRE-GROUND-14"	1
6	9989674	CIRCUIT BREAKER-4 AMP	1
7	1709001	JUMPER-TRANSFORMER-FOREIGN	1
8	4529002	JUMPER-FRENCH/GERMAN SWITCH	1
9	9984627	CIRCUIT BREAKER/SWITCH-16 AM	1
10	1709000	HARNESS-POWER PANEL-FOREIGN	1
11	6849015	JUMPER-POWER SW	1
12	4521036	PLATE-HOUSING-PANEL-FR/GER.	1

Expanded Refreshment Center Parts Manual

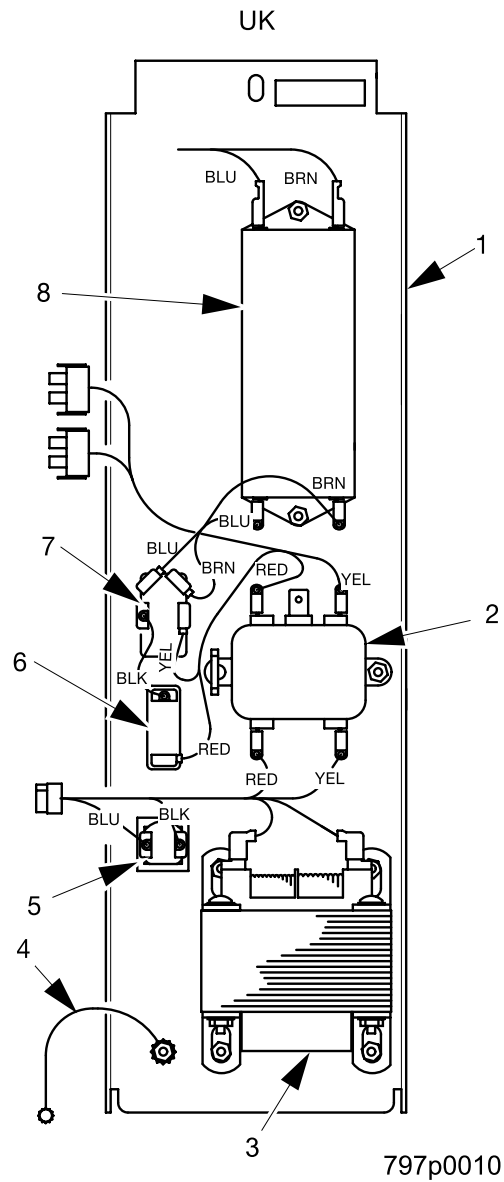


Figure 35. Power Panel Assembly - 230 Volt (Australia, Brazil, Latin America, New Zealand, South Africa, U.K., Navy Euro, China)

Expanded Refreshment Center Parts Manual

TABLE 32. POWER PANEL ASSEMBLY - 230 VOLT (AUSTRALIA, BRAZIL, LATIN AMERICA, NEW ZEALAND, SOUTH AFRICA, U.K., NAVY EURO, CHINA)

<i>INDEX</i>	<i>PART NUMBER</i>	<i>DESCRIPTION</i>	<i>QTY.</i>
-	4521020	POWER PANEL ASSEMBLY - 230 VOLT - U.K.	-
1	1701025	PLATE - HOUSING PANEL	1
2	9989100	INTERFACE FILTER	1
3	9989046	24 V XFMR - DUAL PRI. - .187 TERM.	1
4	9984165	JUMPER - GROUND WIRE	1
5	9989674	CIRCUIT BREAKER - 4 AMP	1
6	9989672	BREAKER - 15 AMP	1
7	9989629	SWITCH - TOGGLE - DPST - 20 AMP	1
8	9989100	FILTER - POWER LINE - EMI	1

Expanded Refreshment Center Parts Manual

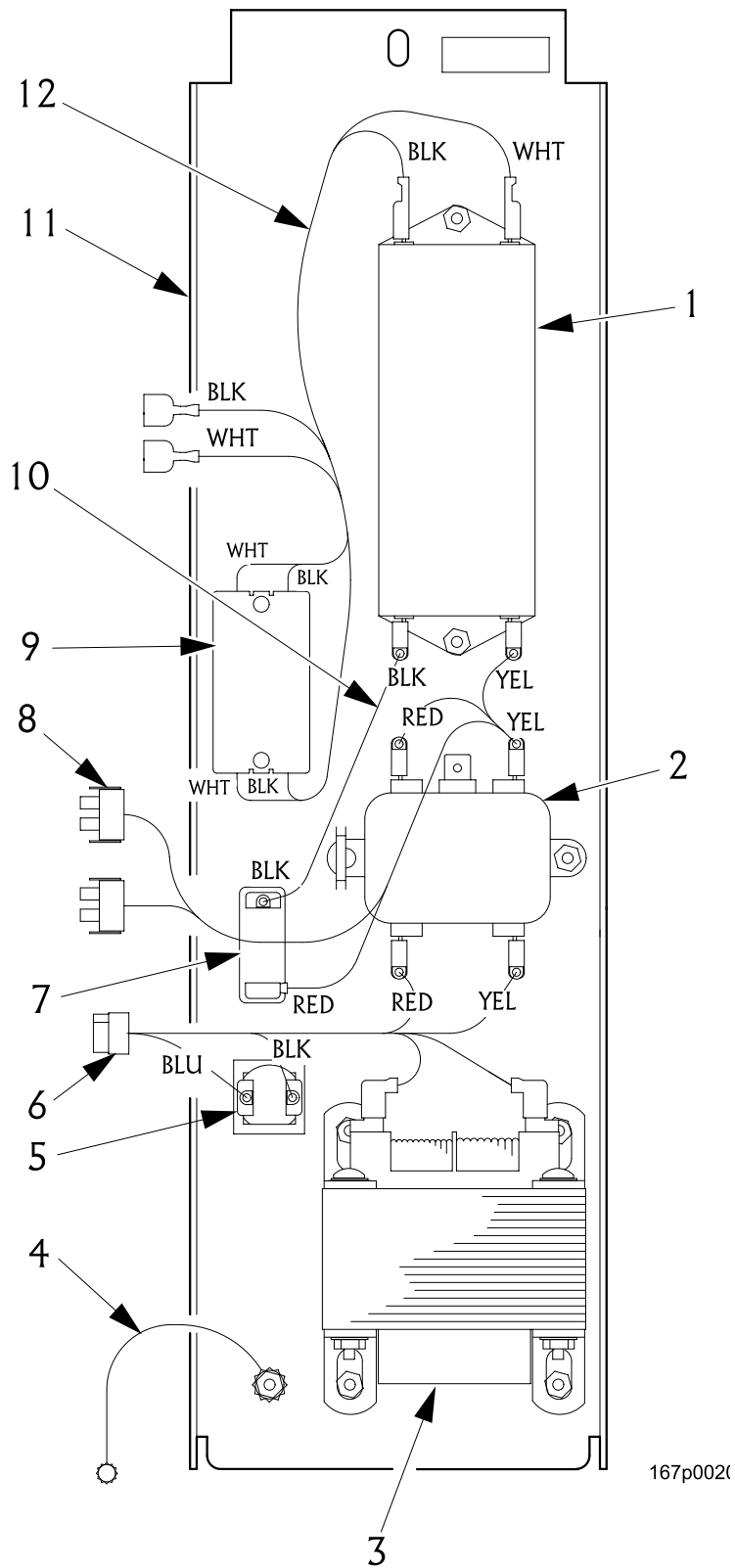


Figure 36. Power Panel Assembly - 100 Volt - 50/60 Hz. (Japan)

Expanded Refreshment Center Parts Manual

TABLE 33. POWER PANEL ASSEMBLY - 100 VOLT - 50/60 HZ. (JAPAN)

<i>INDEX</i>	<i>PART NUMBER</i>	<i>DESCRIPTION</i>	<i>QTY.</i>
-	1571203	POWER PANEL ASSEMBLY - 100 VOLT - 50/60 HZ	-
1	9989110	FILTER - POWER LINE - EMI	1
2	9989100	INTERFACE FILTER	1
3	9989046	24 V TRANSFORMER - DUAL POWER - .187 TERM.	1
4	9984165	JUMPER - GROUND WIRE	1
5	9989674	CIRCUIT BREAKER - 4 AMP	1
6	1709001	JUMPER - TRANSFORMER - INTERNATIONAL	1
7	9989672	BREAKER - 15A	1
8	1709000	HARNESS - POWER PANEL - INTERNATIONAL	1
9	9989529	LEAKAGE CURRENT BREAKER	1
10	1709006	JUMPER - MAIN SWITCH TO BREAKER	1
11	1571204	PLATE - HOUSING - PANEL - JAPANESE	1
12	1579051	JUMPER - GFI & FILTER	1

Expanded Refreshment Center Parts Manual

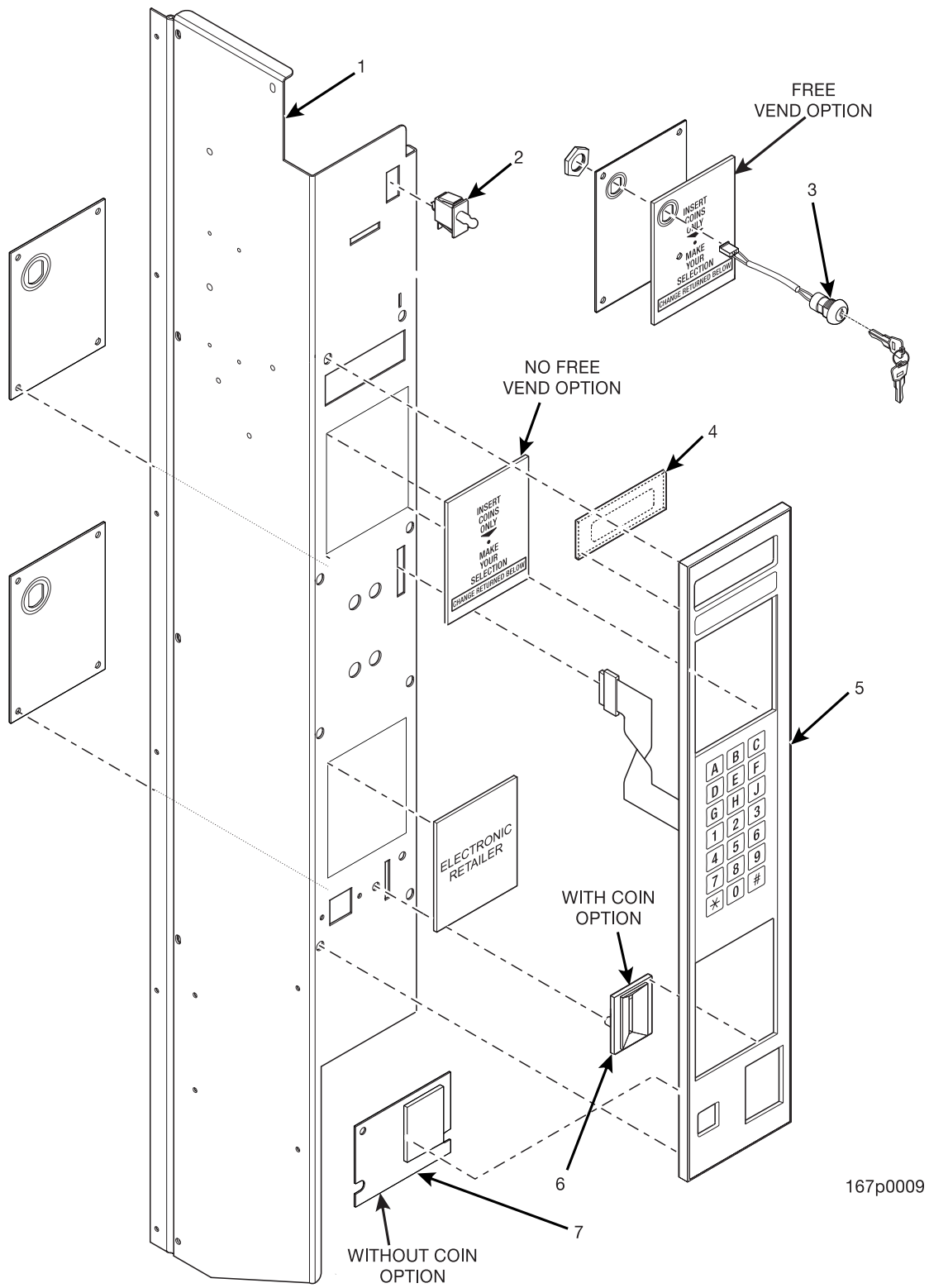


Figure 37. Monetary Panel Assembly (Part 1 of 3)

Expanded Refreshment Center Parts Manual

TABLE 34. MONETARY PANEL ASSEMBLY (PART 1 OF 3)

<i>INDEX</i>	<i>PART NUMBER</i>	<i>DESCRIPTION</i>	<i>QTY.</i>
1	1575094	MONETARY PANEL WELD ASSEMBLY - NV BLACK	1
	4875001	MONETARY PANEL WELD ASSEMBLY - SELECTA WHITE	
2	1401110	SWITCH - SERVICE	1
3	9989639	SWITCH ASSEMBLY - FREE VEND	1
4	1572013	LENS - DISPLAY	1
5	1575098	FACEPLATE ASSEMBLY (WITH COIN OPTION)	1
	1575099	FACEPLATE ASSEMBLY (NO COIN OPTION)	
6	1472223	COIN INSERT (WITH COIN OPTION)	1
7	-	LOWER MONETARY POSITION	-

Expanded Refreshment Center Parts Manual

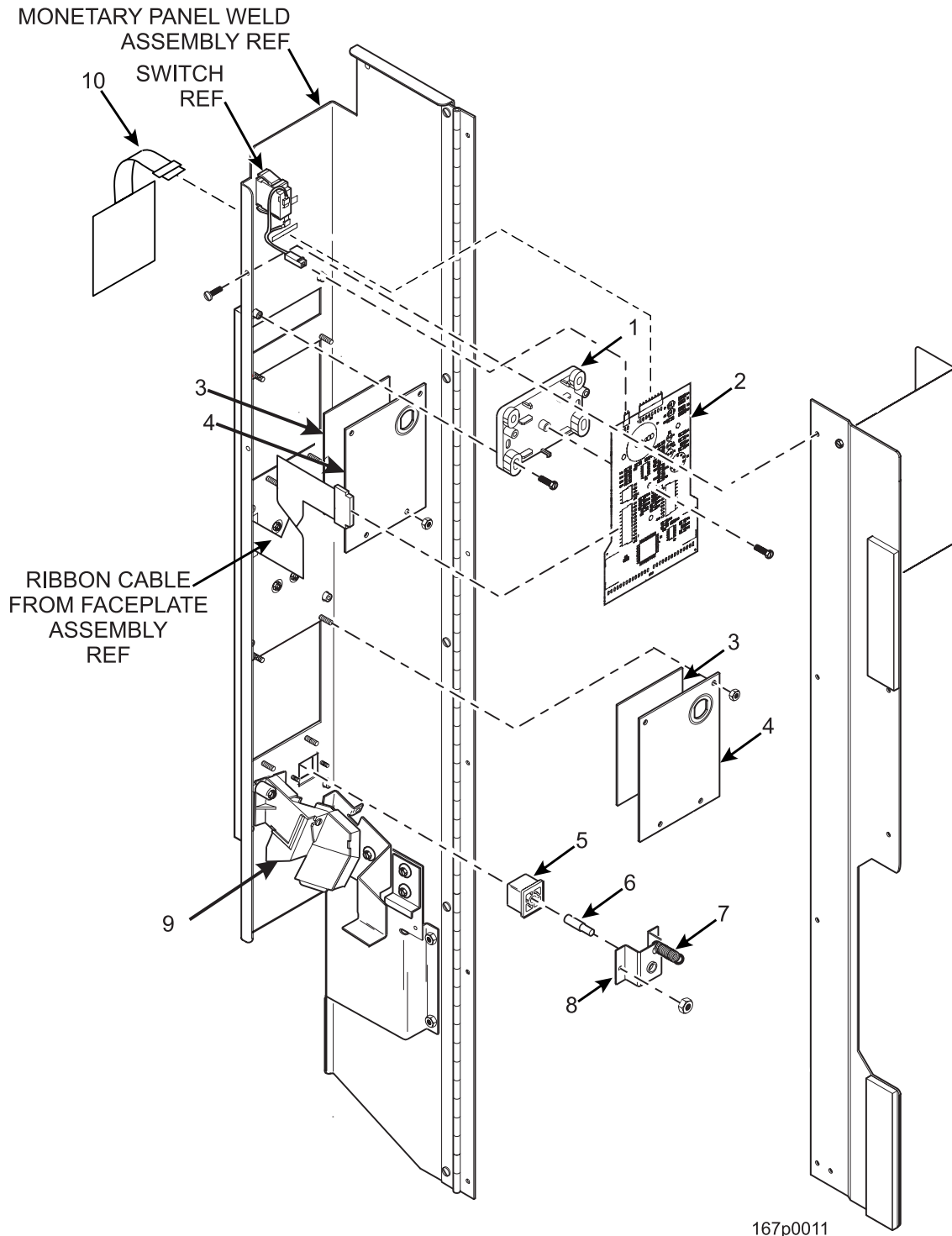


Figure 38. Monetary Panel Assembly (Part 2 of 3)

Expanded Refreshment Center Parts Manual

TABLE 35. MONETARY PANEL ASSEMBLY (PART 2 OF 3)

INDEX	PART NUMBER	DESCRIPTION	QTY.
1	1475099	BRACKET - PCB DISPLAY	1
2	9989685	PCB ASSEMBLY - DISPLAY	1
3	1575020	INSERT - INSTR - BILLS - ENGLISH (WITH BILL VALIDATOR OPTION) (U.S.)	1
	1575013	INSERT - INSTR - COINS ONLY - ENG (U.K.)	
	1575049	INSERT - INSTR - LOWER - UK - COINS (U.K.)	
	1572015	INSERT - INSTRUCTIONS - FRENCH	
	1672027	INSERT - INSTRUCTIONS - LOWER - EUROCOIN (W/NO BILL VALIDATOR OPTION)	
1572014	INSERT - INSTRUCTIONS - GERMAN		
4	1575048	PLATE - INSERT BACKING	OPT.
5	1475026	BUTTON - COIN RETURN	1
6	1475072	SHAFT - RETURN BUTTON	1
7	1127808	SPRING - SHELF RESET	1
8	1571079	BRACKET - COIN RETURN BUTTON	1
9	1575003	COIN CHUTE ASSEMBLY	1
10	6335002	SERVICE KEYPAD ASSEMBLY	1

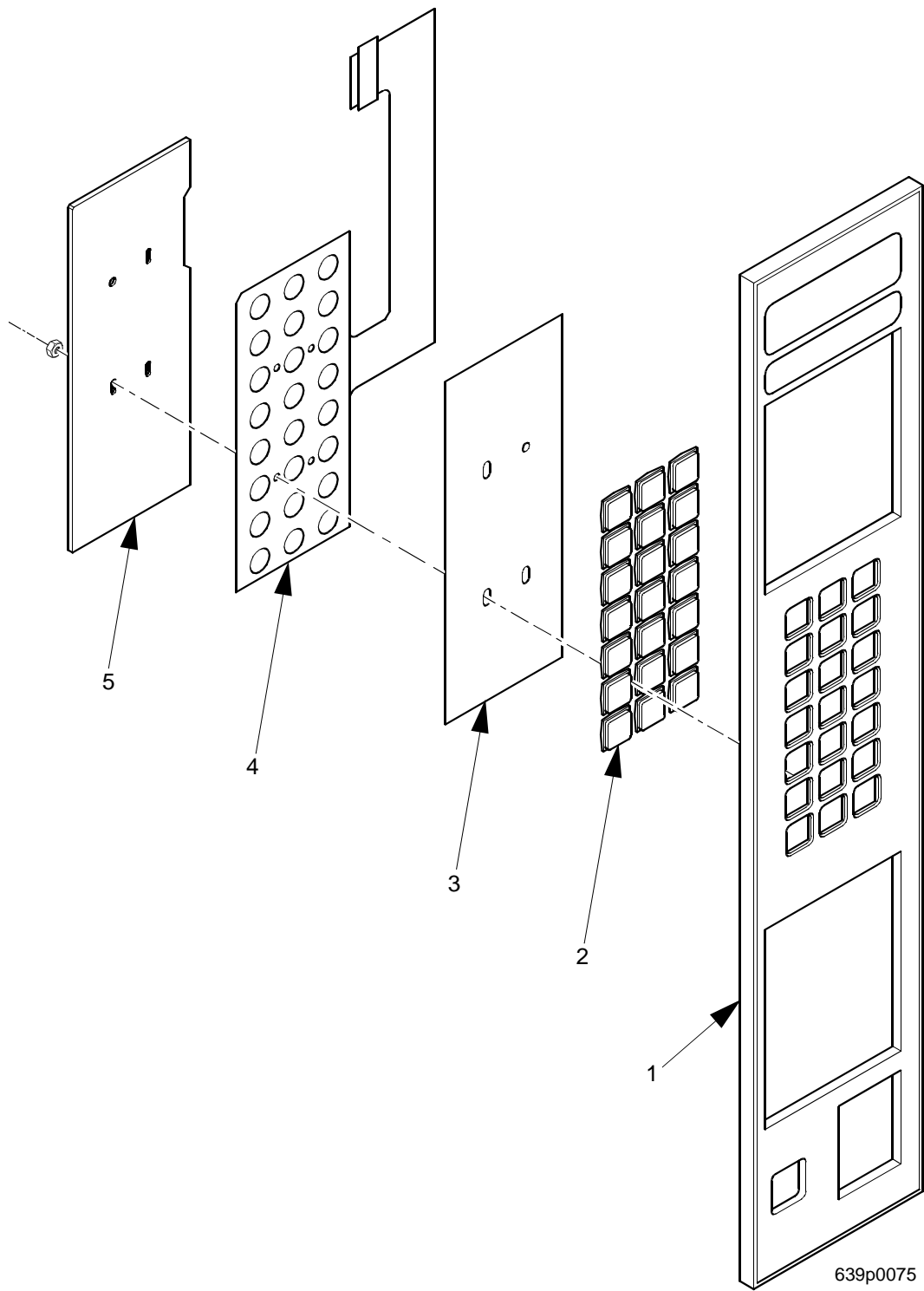


Figure 39. Monetary Panel Assembly (Part 3 of 3)

Expanded Refreshment Center Parts Manual

TABLE 36. MONETARY PANEL ASSEMBLY (PART 3 OF 3)

<i>INDEX</i>	<i>PART NUMBER</i>	<i>DESCRIPTION</i>	<i>QTY</i>
-	1575098	FACE PLATE ASSEMBLY - WITH COIN	-
	1575099	FACEPLATE ASSEMBLY - NO COIN	
1	1575001	SELECTION PANEL (WITH COIN OPTION)	1
	1575043	FACE PLATE ASSEMBLY (NO COIN OPTION)	
2	1472251	LENS - PUSHBUTTON	21
3	1575010	LETTER SHEET - SELECTION SWITCH	1
4	9984630	MEMBRANE SWITCH ASSEMBLY -SELECT	1
5	1575091	PLATE - SELECT SWITCH - BACK UP	1
6	1475089	1/8" NUT - SELF-THREADING	4

Expanded Refreshment Center Parts Manual

<p>INSERT COINS ONLY ▼ • MAKE YOUR SELECTION CHANGE RETURNED BELOW</p>	<p>COINS & BILLS: U.S., CHINA, SAUDI ARABIA</p>	<p>INTRODUZCA MONEDAS O BILLETES ▼ • HAGA SU SELECCIÓN CAMBIO DEVUELTO ABAJO</p>	<p>COINS & BILLS: SPANISH LANGUAGE</p>	<p>INSERT COINS ONLY ▼ • MAKE YOUR SELECTION CHANGE RETURNED BELOW</p>	<p>COINS ONLY: U.S., AUSTRALIA, NEW ZEALAND, U.K., SINGAPORE</p>
<p>1575012</p>		<p>1575018</p>		<p>1575013</p>	
<p>INSEREZ VOTRE MONNAIE • FAITES VOTRE CHOIX • RENDU MONNAIE CI-DESSOUS</p>	<p>COINS ONLY: FRANCE</p>	<p>lägg mynt ▼ Välj produkt Växel i retur skål</p>	<p>COINS ONLY: SWEDEN</p>	<p>INTRODUCIR MONEDAS UNICAMENTE ▼ • HAGA SU SELECCIONE Devolucion / Cambio En La Parte Inferior</p>	<p>COINS ONLY: SPANISH LANGUAGE</p>
<p>1572015</p>		<p>1575052</p>		<p>1575014</p>	
<p>DEPOSITE EL DINERO • SELECCIONE EL PRODUCTO • RECOJA EL CAMBIO</p>	<p>COINS ONLY: LATIN AMERICA, ARGENTINA, MEXICO</p>	<p>GELD INWERPEN • MAAK UW KEUSE GELDTERUGGAVE HIERONDER</p>	<p>COINS ONLY: BELGIUM</p>	<p>ご利用方法 1. お好みの商品を選んで下さい。 2. お金を下の投入口から入れて下さい。 3. お好みの商品番号のボタン(アルファベット+数字)を押して下さい。 4. 下の取出口を押して商品を取り出して下さい。 5. 釣銭・資金は下のコイン返却口から取って下さい。 6. 有り難う御座いました。</p>	<p>COINS ONLY: JAPAN</p>
<p>1575015</p>		<p>1575082</p>		<p>1575066</p>	
<p>AUTOMATEN VERKAUF 0,10 0,50 1 DM 2DM 5DM</p>	<p>COINS ONLY: GERMANY</p>	<p>INTRODUZCA BILLETES ▼ • HAGA SU SELECCIÓN</p>	<p>BILLS ONLY: VENEZUELA</p>	<p>INSERT BILLS ▼ • MAKE YOUR SELECTION</p>	<p>BILLS ONLY: KUWAIT</p>
<p>1575038</p>		<p>1575017</p>		<p>1575020</p>	
<p>INSERT 500 LIVRES OR 1000 LIVRES NOTES ONLY ▼ • MAKE YOUR SELECTION PLEASE USE EXACT AMOUNT ONLY</p>	<p>BILLS ONLY: LEBANON</p>	<p>INSTRUÇÕES • INTRODUZA SOMENTE FICHAS</p>	<p>NO VALIDATOR; TOKENS: BRAZIL</p>	<p>497P0100</p>	
<p>1575021</p>		<p>1575016</p>			

Figure 40. Monetary Inserts - Upper Position

Expanded Refreshment Center Parts Manual

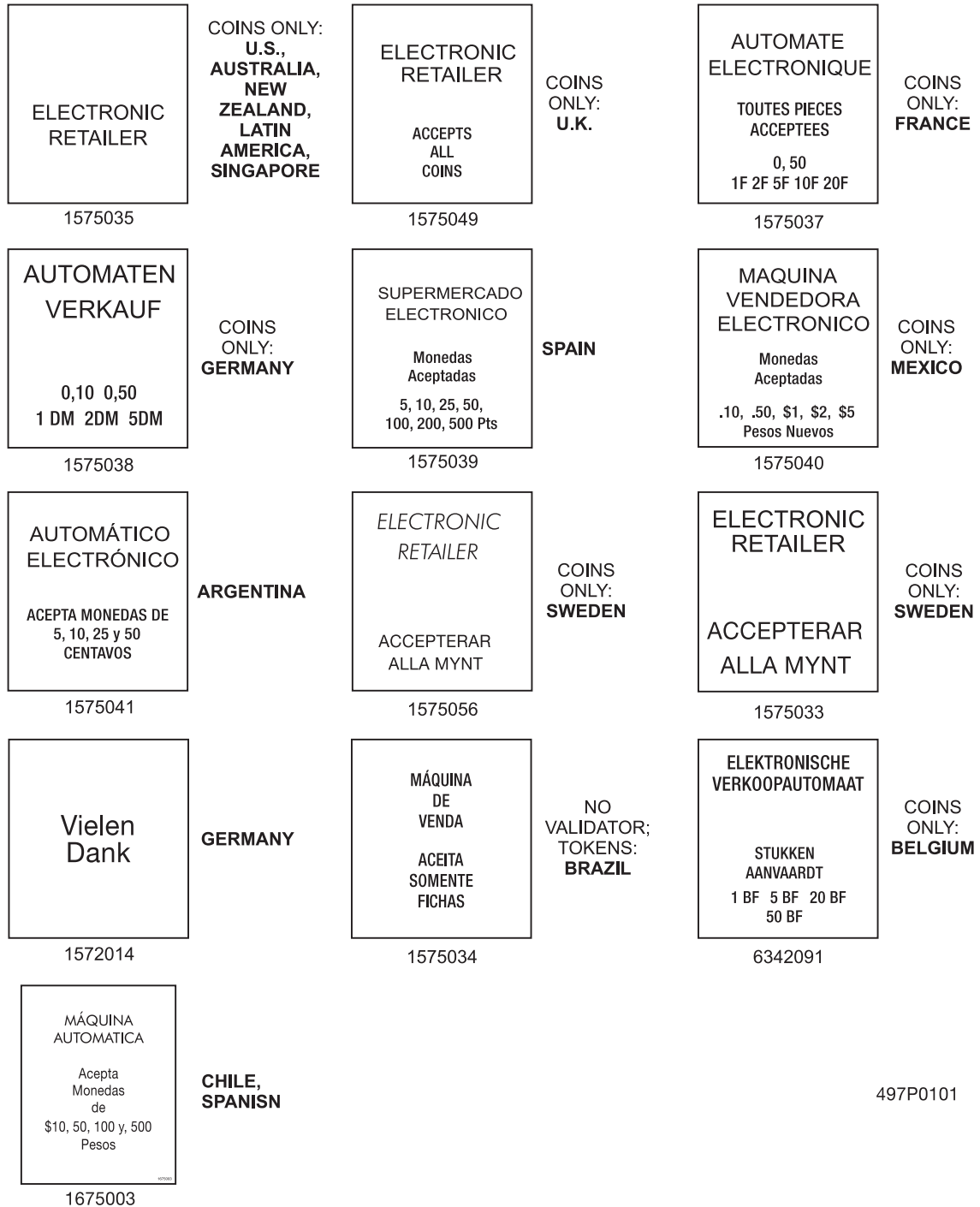
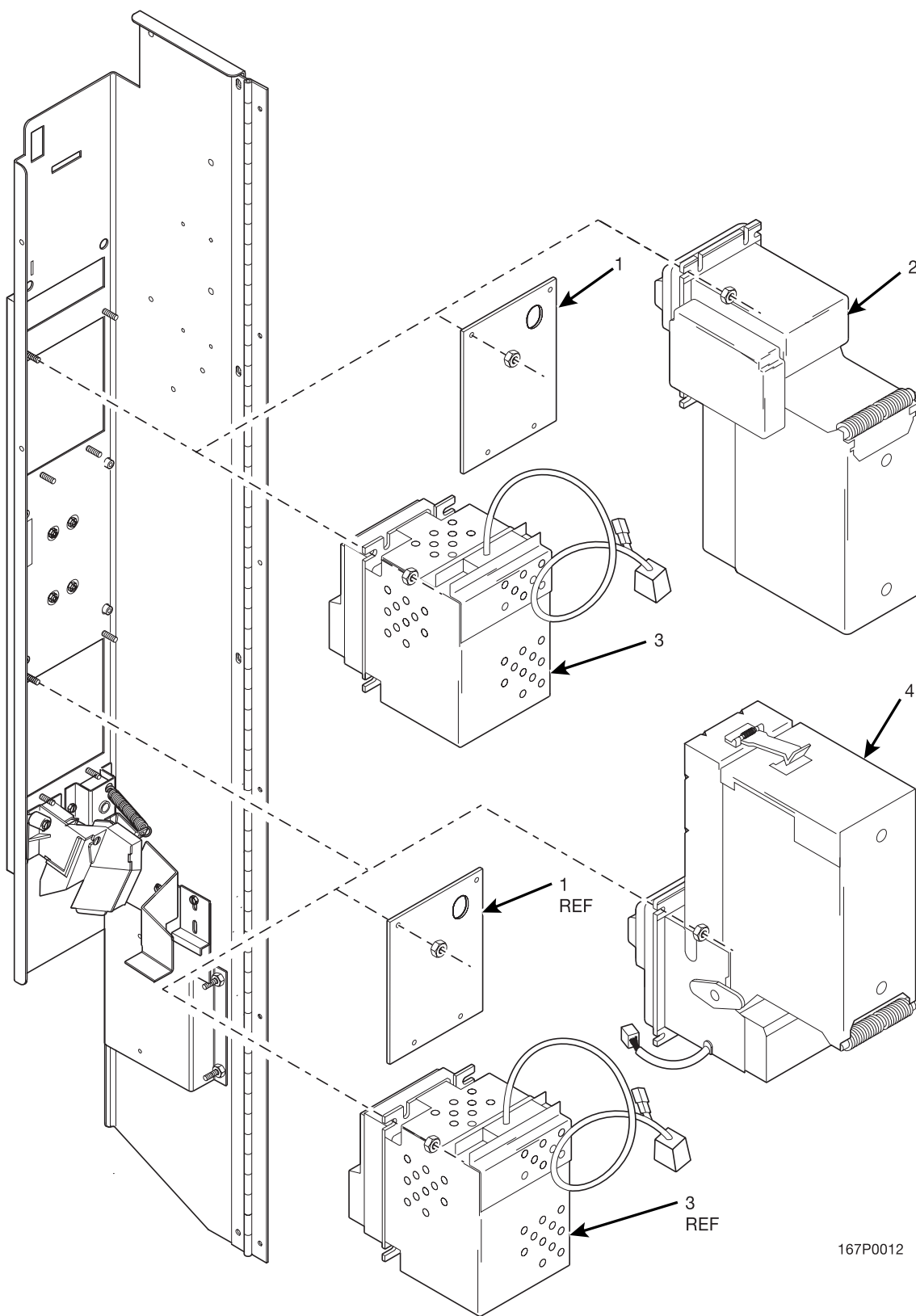


Figure 41. Monetary Inserts - Lower Position



167P0012

Figure 42. Card Reader and Bill Validator Combinations

Expanded Refreshment Center Parts Manual

TABLE 39. CARD READER AND BILL VALIDATOR COMBINATIONS

<i>INDEX</i>	<i>PART NUMBER</i>	<i>DESCRIPTION</i>
1	1575048	INSTRUCTION INSERT BACKING PLATE
2	9900081	NUT
3	-	DEBIT CARD READER (SEE TABLE 39 A FOR DETAILS)
4	-	UPSTACK BILL VALIDATOR (SEE TABLE 39 A FOR DETAILS)

TABLE 39 A. MONETARY LOCATION OPTIONS

<i>MONETARY CAPABILITY</i>	<i>MONETARY PANEL LOCATION</i>		<i>WITH COIN?</i>
	<i>UPPER</i>	<i>LOWER</i>	
COIN - VAL - CARD	CARD READER	UPSTACK VALIDATOR	YES
COIN - VAL	INSERT INSTRUCTIONS BACK-UP PLATE (1575048)	UPSTACK VALIDATOR	YES
COIN - CARD	INSERT INSTRUCTIONS BACK-UP PLATE (1575048)	CARD READER	YES
COIN - CARD	CARD READER	INSERT INSTRUCTIONS BACK-UP PLATE (1575048)	YES
VAL - CARD	CARD READER	UPSTACK VALIDATOR	NO
COIN ONLY	INSERT INSTRUCTIONS BACK-UP PLATE (1575048)	INSERT INSTRUCTIONS BACK-UP PLATE (1575048)	YES
VAL ONLY	INSERT INSTRUCTIONS BACK-UP PLATE (1575048)	UPSTACK VALIDATOR	NO
CARD ONLY	CARD READER	INSERT INSTRUCTIONS BACK-UP PLATE (1575048)	NO
CARD ONLY	INSERT INSTRUCTIONS BACK-UP PLATE (1575048)	CARD READER	NO

Expanded Refreshment Center Parts Manual

TABLE 39 B. COIN MECHANISM OPTIONS

<i>PART NUMBER</i>	<i>DESCRIPTION</i>
1600851	MARS CASH FLOW - MDB - CHINA
5307321	COINTRON 3000 - US COIN VAL
5900094	COINCO 9300L COIN UNIT
5900096	COINCO 9340L COIN UNIT
5900112	MARS MC5000 COIN UNIT
5900116	MARS TRC6000 COIN UNIT
5900192	COIN UNIT - CONLUX USLX 00401F
5900209	COIN UNIT - CONLUX - USLZ - 001 - MDB
5900213	COIN UNIT - COINCO - 9302 - GX - MDB
5900214	COIN UNIT - MARS - VN 4510 - MDB
5900216	COIN UNIT - MARS - VN 4000, 110V
5900217	COIN UNIT - MARS - VN 4010 XV - 24V
5900222	COIN UNIT - MARS - TRC 6000 - ASV
5900237	COIN UNIT - CONLUX USLX - 001 120V
5900240	COIN UNIT - C.F. MDB - CUSTOMER SUPPLIED
5900242	COIN UNIT - CASH FLOW - CHINA - MDB
5900243	COIN UNIT - TRC 6512 MDB - 1195500
5900244	COIN UNIT - COINCO - USD - G701 - MDB
6400002	COIN CHANGER - MARS #TRC 6010XV
6400003	COIN CHANGER - COINCO # 9302LF-24

Expanded Refreshment Center Parts Manual

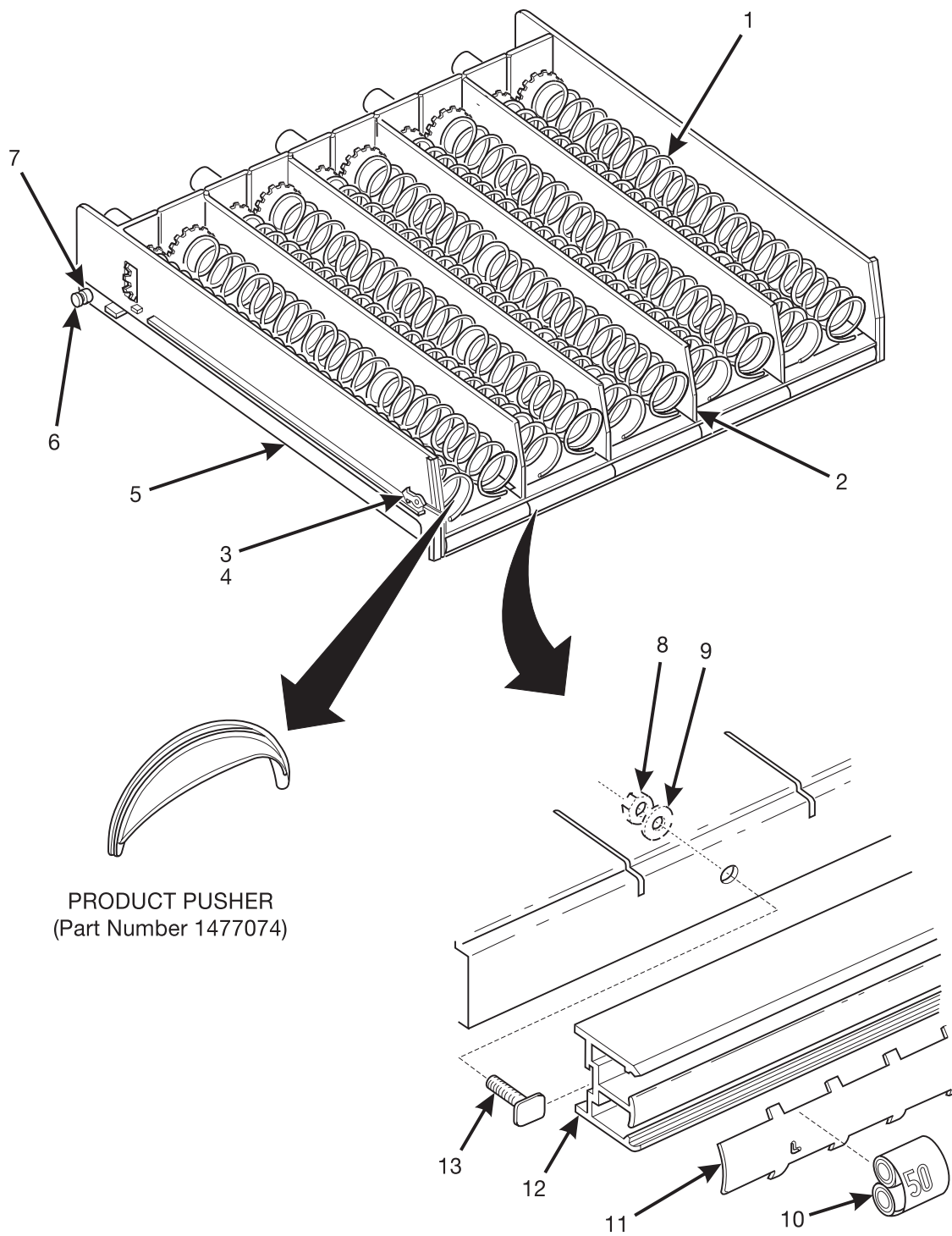
TABLE 39 C. BILL VALIDATOR OPTIONS

<i>PART NUMBER</i>	<i>DESCRIPTION</i>	<i>USE WITH HARNESS PART NUMBER</i>
5900198	VALIDATOR - MARS - S2000 - VN 2311 - U5E	1579005
5900182	VALIDATOR - COINCO - BA305A	1579028
5900193	VALIDATOR - MARS - S2000 - VN 2511 - U5E - CN5	
5900233	VALIDATOR - CONLUX MKA 2152-12B 120V	
5900245	STACKER - CASH CODE - 400 BILL CAPACITY - WITH LOCK (CHINA)	-
5900205	VALIDATOR - MARS - VN2512-U5E - 24V	1579032 (HARNESS) 9989718 (JUMPER)
5900221	VALIDATOR - COINCO - BA32SA - 24V	
5900234	VALIDATOR - CONLUX - 2162 - 24V - 300	
1475053	VALIDATOR - MAKA - NB - 1KB - 400 WITH MASK "K" INSTALLED	1579006
5900248	VALIDATOR - MARS - AG2611 - U5B - SERIAL	1579028
<i>MDB VALIDATOR OPTIONS</i>		
5900182	VALIDATOR - COINCO - BA 30SA	1579034
5900210	VALIDATOR - MARS - VN 2512 - USM/500 - MDB	-
5900234	VALIDATOR - CONLUX - 2162 - 24V - 300	1579050
5900242	VALIDATOR - CASH CODE - CHINA - MDB	-
5900247	VALIDATOR - MARS - AE2612 - U5M - MDB	-

TABLE 39 D. CARD READER OPTIONS

<i>PART NUMBER</i>	<i>DESCRIPTION</i>
1475107	DEBITEK #VIS-MM-NAT SYSTEM III
1575050	BRACKET - DEBITEK CONTROLLER

Expanded Refreshment Center Parts Manual



497p0078

Figure 43. Snack Tray Assembly (Part 1 of 2)

Expanded Refreshment Center Parts Manual

TABLE 40. SNACK TRAY ASSEMBLY (PART 1 OF 2)

<i>INDEX</i>	<i>PART NUMBER</i>	<i>DESCRIPTION</i>	<i>QTY.</i>
-	1597001	TRAY ASSEMBLY - 5 SNACK	1
1	-	SPIRAL (OPTIONAL) (SEE TABLE 45 A FOR DETAILS)	-
2	1477175	WALL - TRAY	4
3	1477017	LATCH	2
4	5201267	PUSH ON RETAINER - .312	2
5	1577040	TRAY - 5 & 10 DIVISION	1
6	1477097	AXLE - TRAY ROLLER	2
7	1477148	ROLLER - TRAY	2
8	9900030	NUT #8-32 SELF-LOCKING	3
9	5560113	WASHER - HOPPER RELEASE	3
10	1477014	ROLL - PRICE - CENTS	5
11	1477157	HOLDER - PRICE & SELECTION	1
12	1477134	RAIL - PRICE & SELECTION	1
13	2222031	TEE BOLT - TRIM	3

Expanded Refreshment Center Parts Manual

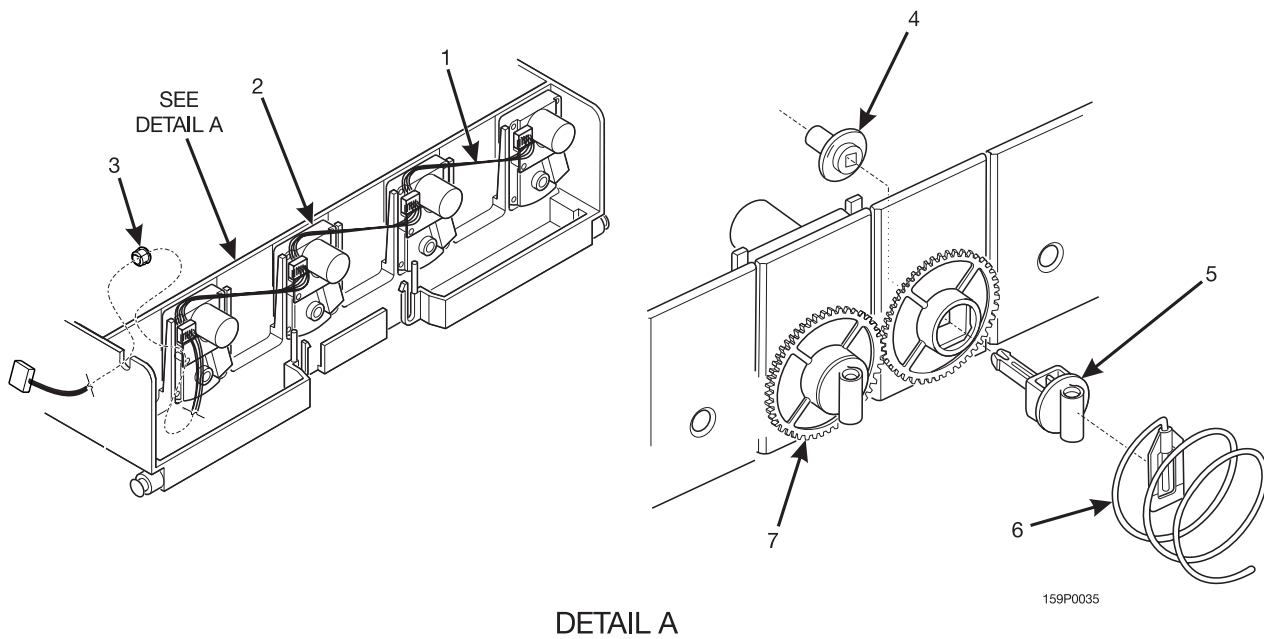


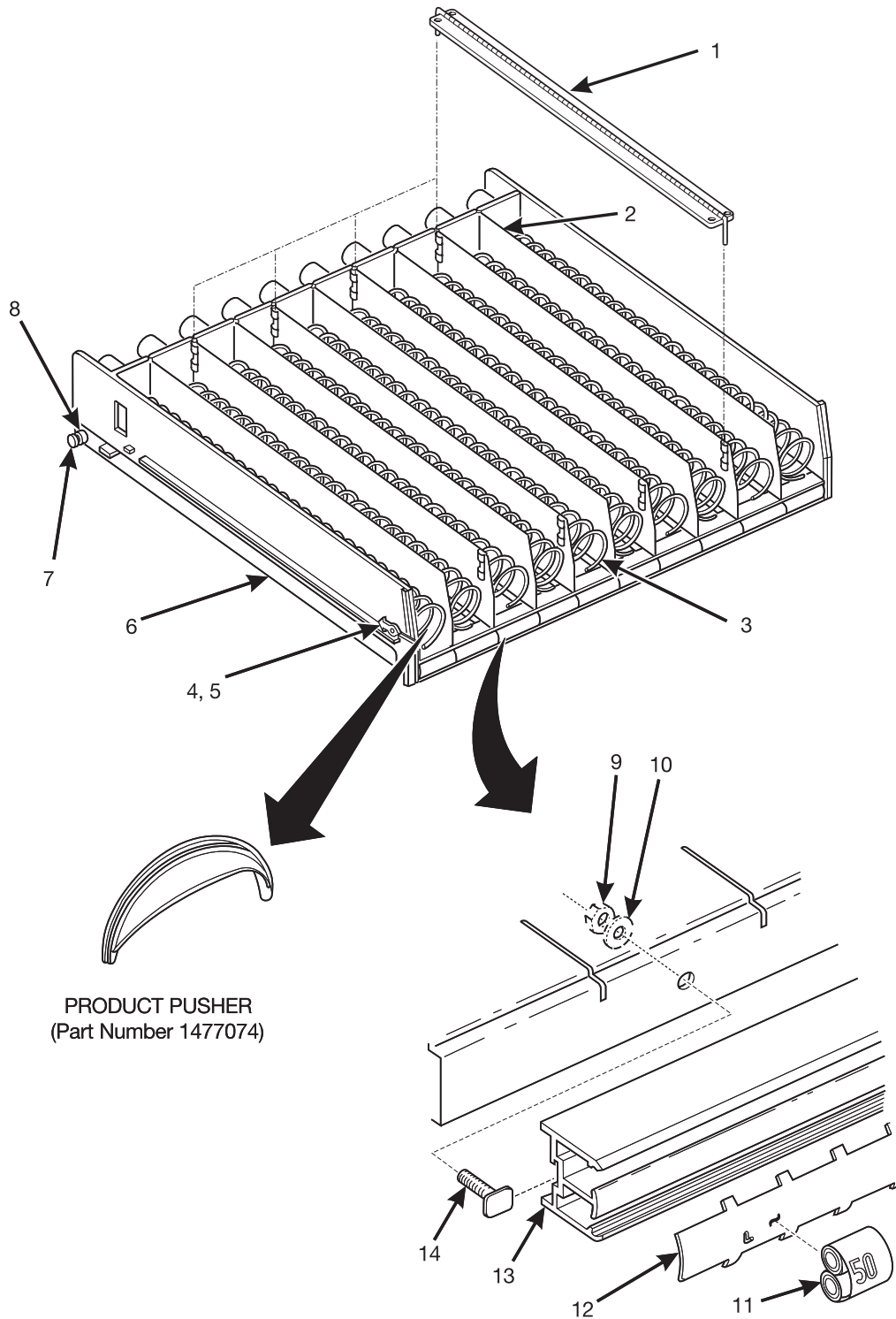
Figure 44. Snack Tray Assembly (Part 2 of 2)

Expanded Refreshment Center Parts Manual

TABLE 41. SNACK TRAY ASSEMBLY (PART 2 OF 2)

<i>INDEX</i>	<i>PART NUMBER</i>	<i>DESCRIPTION</i>	<i>QTY.</i>
1	1599012	HARNESS - 5 MOTOR TRAY	1
2	1577035	MOTOR & PCB ASSEMBLY	5
3	3502097	BUSHING	1
4	1477022	BEARING - COUPLER	5
5	1477113	COUPLING - SPIRAL	10
6	-	SPIRALS (SEE TABLE 45 A FOR DETAILS)	-
7	1477020	GEAR - TRAY	10

Expanded Refreshment Center Parts Manual



497p0079

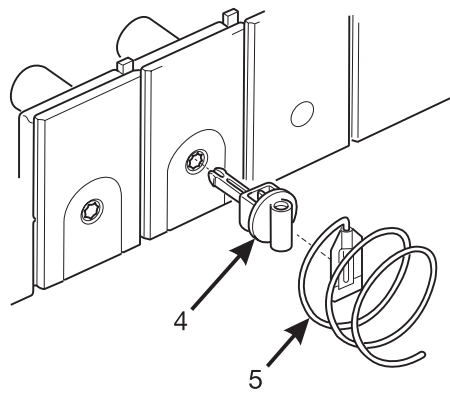
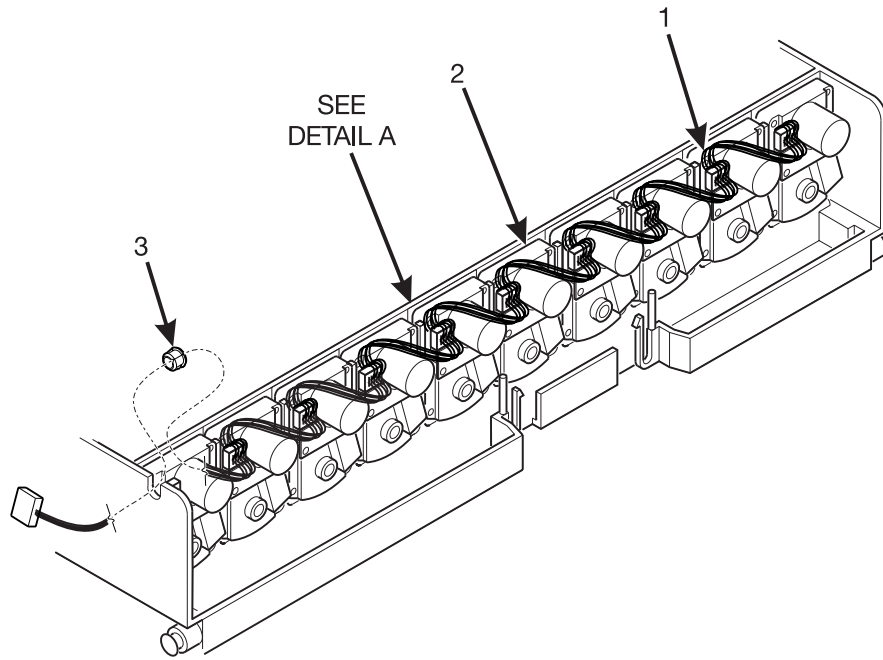
Figure 45. Candy Tray Assembly (Part 1 of 2)

Expanded Refreshment Center Parts Manual

TABLE 42. CANDY TRAY ASSEMBLY (PART 1 OF 2)

<i>INDEX</i>	<i>PART NUMBER</i>	<i>DESCRIPTION</i>	<i>QTY.</i>
-	1597002	TRAY ASSEMBLY - 10 CANDY	1
1	1677193	SPACER - ADJUSTABLE	4
2	1477175	WALL - TRAY	9
3	-	SPIRAL (OPTIONAL) (SEE TABLE 45 A FOR DETAILS)	-
4	1477017	LATCH	2
5	5201267	PUSH ON RETAINER - .312	2
6	1577040	TRAY - 5 & 10 DIVISION	1
7	1477097	AXLE - TRAY ROLLER	2
8	1477148	ROLLER - TRAY	2
9	9900030	NUT #8-32 SELF-LOCKING	3
10	5560113	WASHER - HOPPER RELEASE	3
11	1477014	ROLL - PRICE - CENTS	10
12	1477157	HOLDER - PRICE & SELECTION	1
13	1477134	RAIL - PRICE & SELECTION	1
14	2222031	TEE BOLT - TRIM	3

Expanded Refreshment Center Parts Manual



159PO025

DETAIL A

Figure 46. Candy Tray Assembly (Part 2 of 2)

Expanded Refreshment Center Parts Manual

TABLE 43. CANDY TRAY ASSEMBLY (PART 2 OF 2)

<i>INDEX</i>	<i>PART NUMBER</i>	<i>DESCRIPTION</i>	<i>QTY.</i>
1	1599013	HARNESS - 10 MOTOR TRAY	1
2	1577035	MOTOR & PCB ASSEMBLY	10
3	3502907	BUSHING	1
4	1477113	COUPLING - SPIRAL	10
5	-	SPIRALS (SEE TABLE 45 A FOR DETAILS)	-

Expanded Refreshment Center Parts Manual

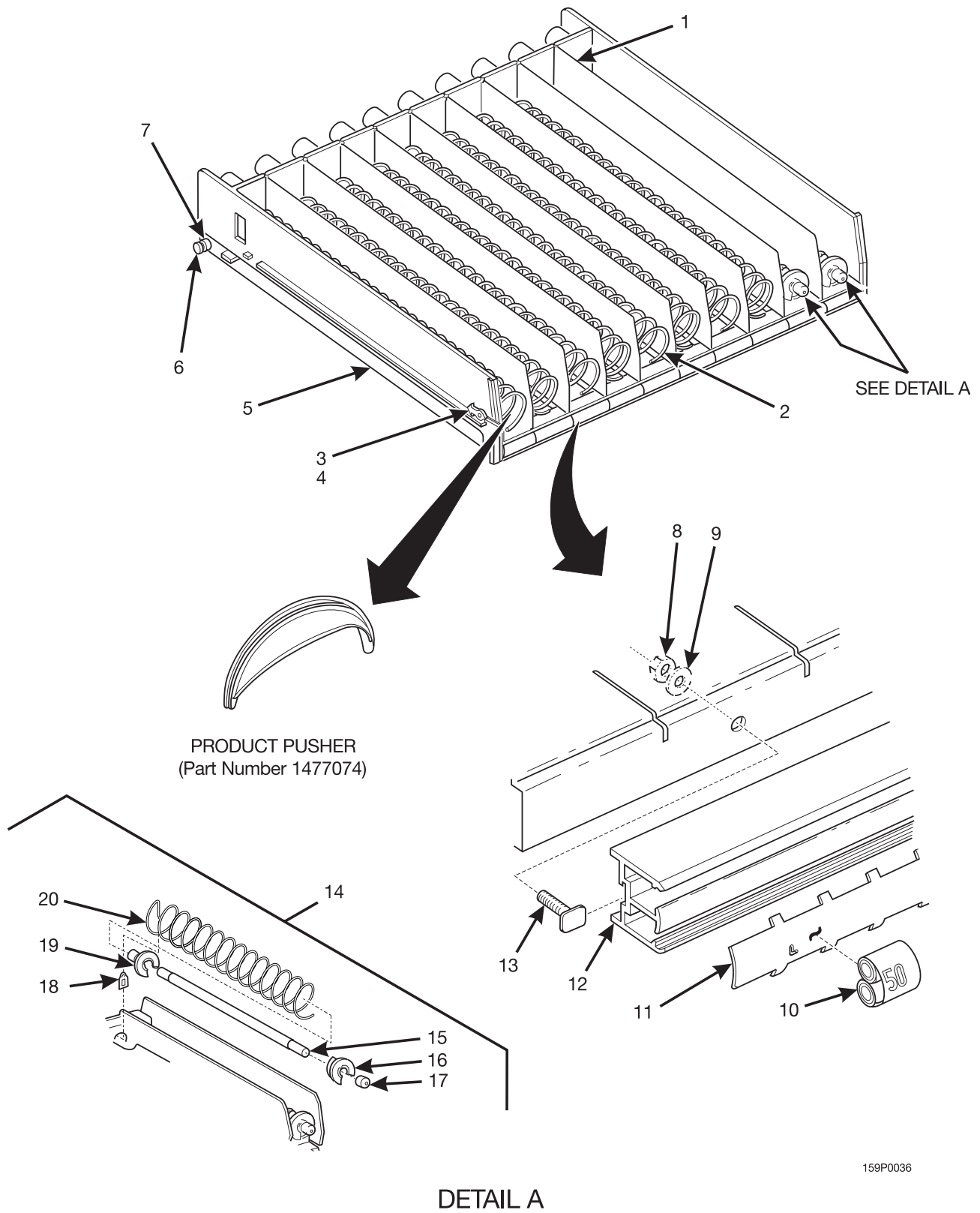


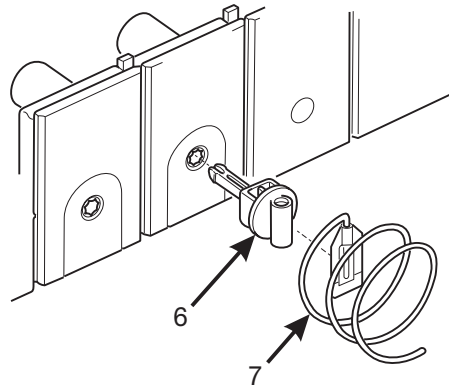
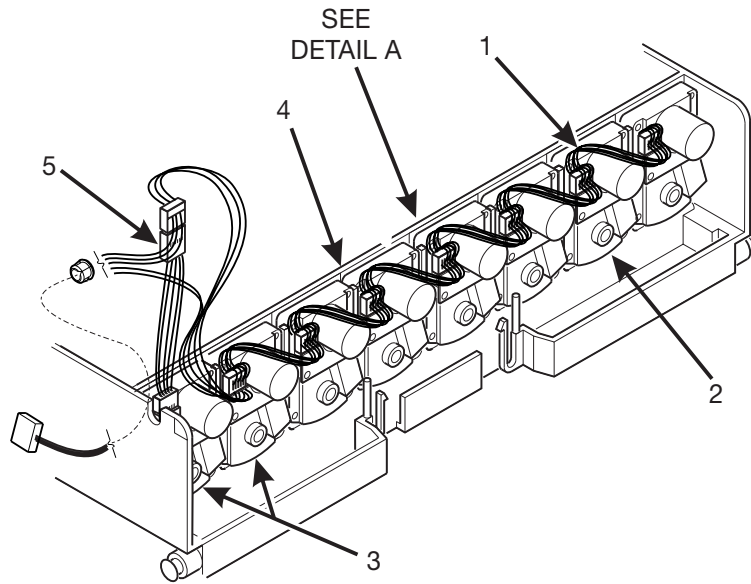
Figure 47. Gum and Mint Tray Assembly (Part 1 of 2)

Expanded Refreshment Center Parts Manual

TABLE 44. GUM AND MINT TRAY ASSEMBLY (PART 1 OF 2)

INDEX	PART NUMBER	DESCRIPTION	QTY.
-	1597003	TRAY ASSEMBLY - 8 CANDY - 2 GUM	1
1	1477175	WALL - TRAY	9
2	-	SPIRAL (OPTIONAL) (SEE TABLE 45 A FOR DETAILS)	-
3	1477017	LATCH	2
4	5201267	PUSH ON RETAINER - .312	2
5	1577040	TRAY - 5 & 10 DIVISION	1
6	1477097	AXLE - TRAY ROLLER	2
7	1477148	ROLLER - TRAY	2
8	9900030	NUT #8-32 SELF-LOCKING	3
9	5560113	WASHER - HOPPER RELEASE	3
10	1477014	ROLL - PRICE - CENTS	10
11	1477157	HOLDER - PRICE & SELECTION	1
12	1477134	RAIL - PRICE & SELECTION	1
13	2222031	TEE BOLT - TRIM	3
14	1467127	SPIRAL ASSEMBLY - DUAL GUM & MINT (INCLUDES INDEX NUMBERS 15 - 20)	2
15	1467131	SPIRAL INSERT ASSEMBLY	1
16	1467129	DISC - SPIRAL INSERT	1
17	1467136	CAP - SPIRAL INSERT	2
18	1467130	DISC - SPIRAL INSERT	1
19	1467137	RETAINER - SPIRAL - ORANGE	1
20	1467128	SPIRAL - 2.65 DIAMETER - DUAL GUM & MINT	1

Expanded Refreshment Center Parts Manual



DETAIL A

159P0038

Figure 48. Gum and Mint Tray Assembly (Part 2 of 2)

Expanded Refreshment Center Parts Manual

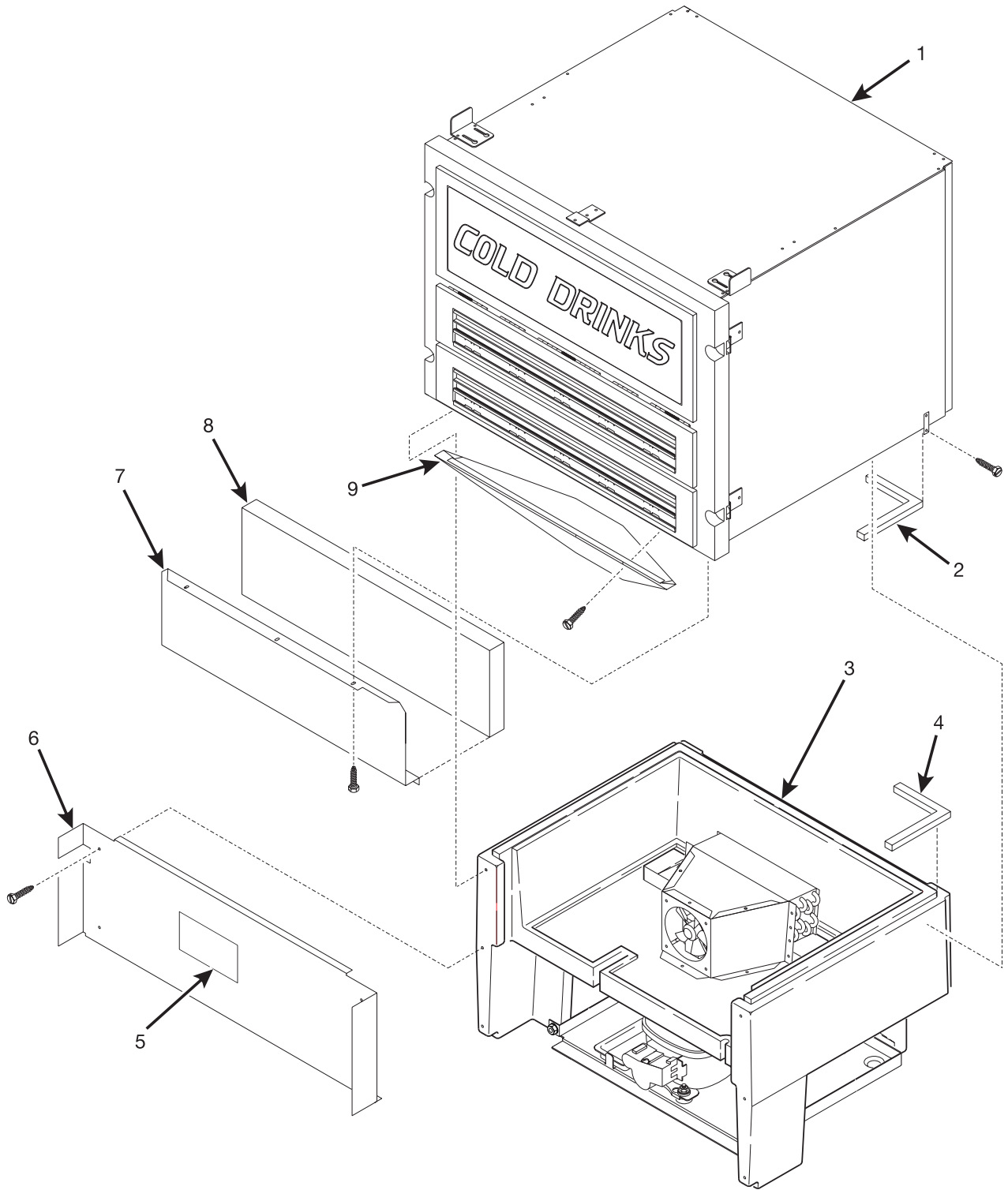
TABLE 45. GUM AND MINT TRAY ASSEMBLY (PART 2 OF 2)

INDEX	PART NUMBER	DESCRIPTION	QTY.
1	1599013	HARNESS - 10 MOTOR TRAY	1
2	1577035	MOTOR & PCB ASSEMBLY	8
3	1477114	MOTOR & PCB ASSEMBLY	2
4	3502097	BUSHING	1
5	1477156	JUMPER ASSEMBLY - MOTOR REVERSING	1
6	1477113	COUPLING - SPIRAL	10
7	-	SPIRALS (SEE TABLE 45 A FOR DETAILS)	-

TABLE 45 A. SPIRAL OPTIONS

			PART NUMBERS			
			LEFT HAND		RIGHT HAND	
Spiral Count	Retainer Color	Retainer	Assembly	Spiral	Assembly	Spiral
5	-	-	-	1477178	-	1477179
6	PURPLE	1477107	1477103	1477102	1477105	1477104
9	GRAY	1477155	1477149	1477150	1477152	1477153
11	BLUE	1457061	1477023	1477024	1477026	1477027
13	YELLOW	1457062	1477029	1477030	1477032	1477033
15	RED	1457063	1477035	1477063	1477038	1477039
17	BROWN	1477106	1477101	1477100	1477099	1477098
20	WHITE	1457064	1477041	1477042	1477044	1477045
25	GREEN	1457065	1477047	1477048	1477050	1477051
30	BLACK	1477073	1477053	1477054	1477056	1477057
38	ORANGE	1467137	1477059	1477060	1477062	1477063

Expanded Refreshment Center Parts Manual



497p0104

Figure 49. 10-Select Can Option

Expanded Refreshment Center Parts Manual

TABLE 46. 10-SELECT CAN OPTION

<i>INDEX</i>	<i>PART NUMBER</i>	<i>DESCRIPTION</i>	<i>QTY.</i>
1	4977000	CAN MODULE ASSEMBLY - 10 SELECT - 115 V XREF	1
	4987000	CAN MODULE ASSEMBLY - 10 SELECT - 230 V XREF	
2	4974016	GASKET - REFRIGERATION MODULE - INSIDE	1
3	4974000	REFRIGERATION MODULE ASSEMBLY - CAN - 115 V - AMBIENT XREF	1
	4974022	REFRIGERATION MODULE ASSEMBLY - CAN - 230 V - AMBIENT XREF	
		REFRIGERATION MODULE ASSEMBLY - CAN - 230 V - CHILLED XREF	
4	4974015	GASKET - REFRIGERATION MODULE - OUTSIDE	1
5	6231189	LABEL - WARNING - HIGH VOLTAGE - ENGLISH	1
	6231216	LABEL - WARNING - HIGH VOLTAGE - GERMAN	
	6231229	LABEL - WARNING - HIGH VOLTAGE - FRENCH	
	6232290	LABEL - WARNING - HIGH VOLTAGE - SPANISH	
6	4974009	COVER AND SEAL ASSEMBLY - COMPRESSOR	1
7	4974012	RETAINER - DOOR	1
8	4974007	DOOR - REFRIGERATION MODULE	1
9	4974019	DUCT AND GASKET ASSEMBLY	1

Expanded Refreshment Center Parts Manual

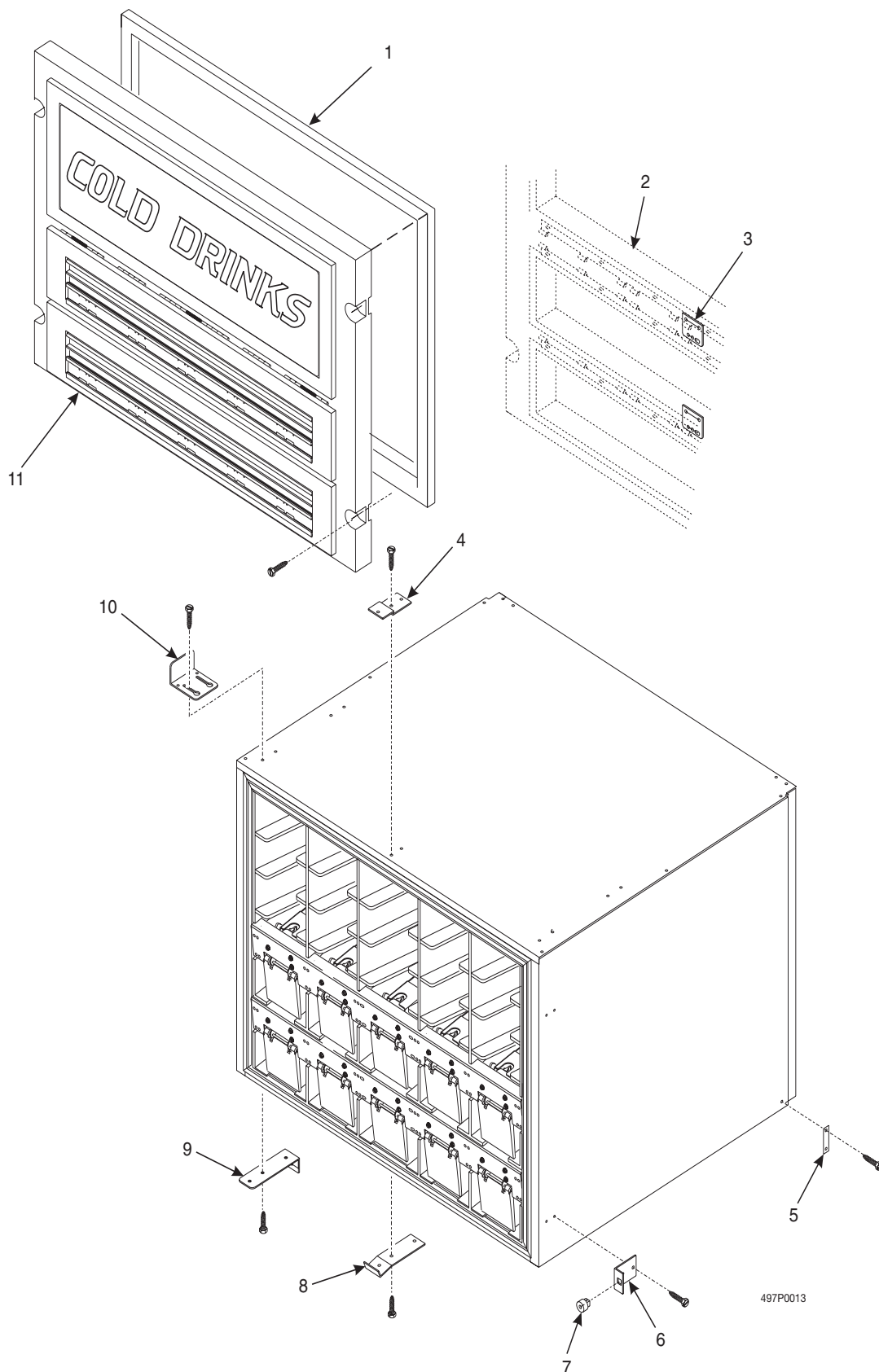


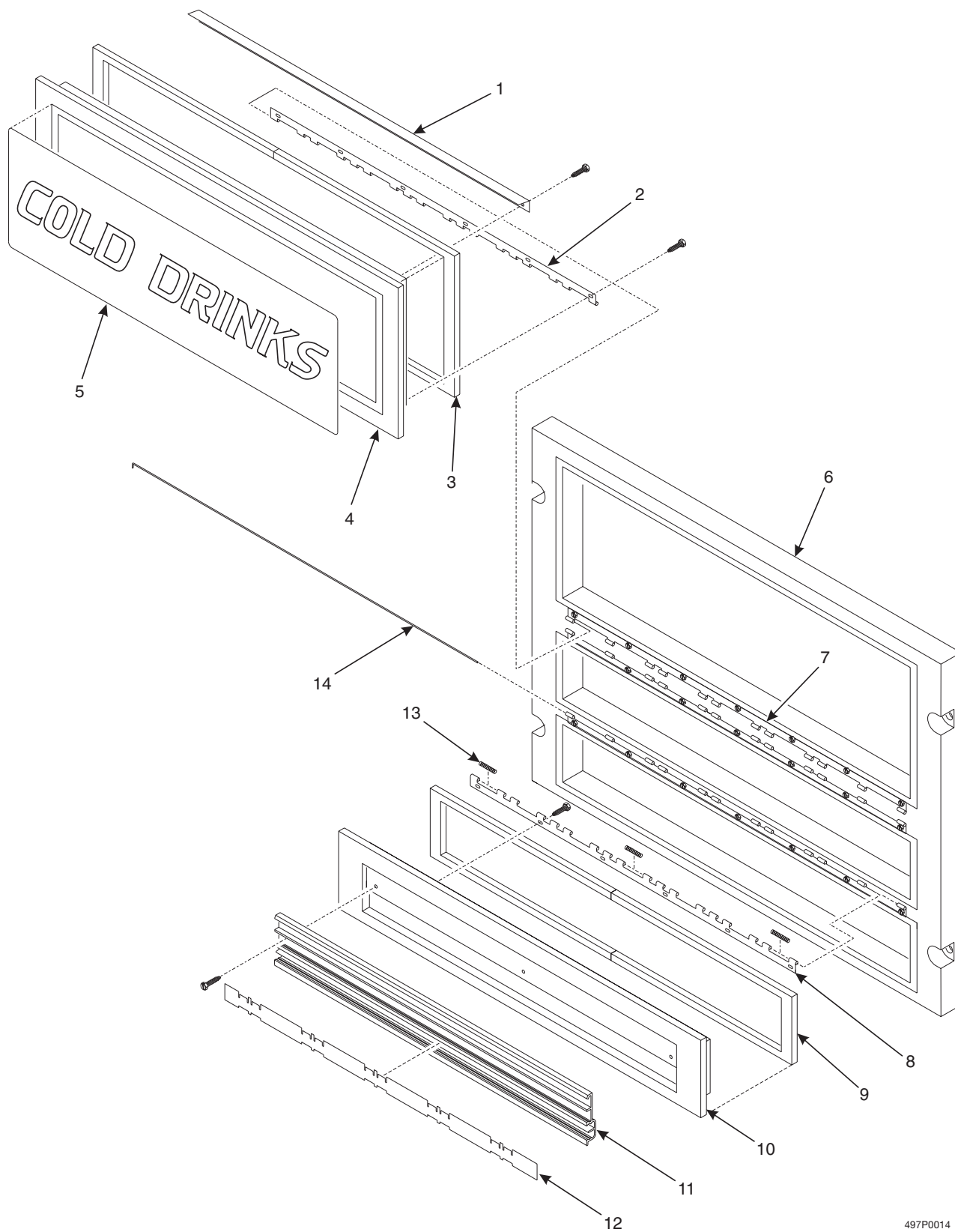
Figure 50. Can Module Assembly

Expanded Refreshment Center Parts Manual

TABLE 47. CAN MODULE ASSEMBLY

INDEX	PART NUMBER	DESCRIPTION	QTY.
1	4976042	GASKET - 10 SELECT FRAME	1
2	4976002	FRAME & SUPPORT ASSEMBLY	1
3	4976001	BRACKET - SUPPORT - FRAME	2
4	4977036	BRACKET - SUPPORT - TOP	1
5	4747062	MOUNTING STRAP - CAN MODULE	2
-	4977052	BRACKET & GROMMET ASSEMBLY (INCLUDES INDEX NUMBERS 6 AND 7)	4
6	4977053	BRACKET - FRAME - MOUNTING	
7	4977054	GROMMET - SCREW - .38	
8	4977065	BRACKET - SUPPORT - BOTTOM	1
9	4977059	BRACKET - FRAME SUPPORT	1
10	4747715	BRACKET - CABINET SUPPORT	1
11	4976000	FRAME ASSEMBLY - 10 SELECT+	1

Expanded Refreshment Center Parts Manual



497P0014

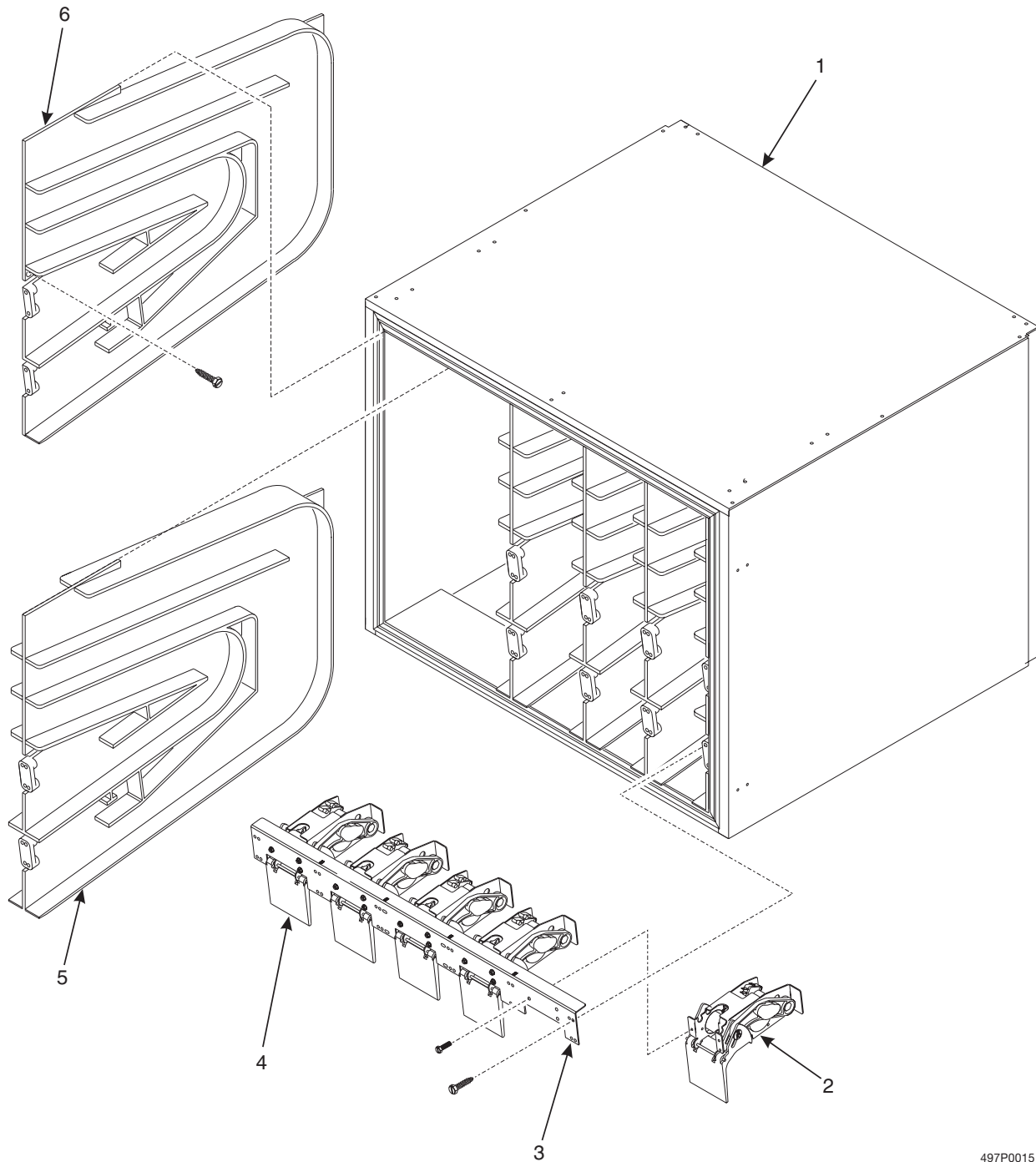
Figure 51. Frame Assembly

Expanded Refreshment Center Parts Manual

TABLE 48. FRAME ASSEMBLY

INDEX	PART NUMBER	DESCRIPTION	QTY.
-	4976030	LOADING DOOR ASSEMBLY (INCLUDES INDEX NUMBERS 1 - 5)	1
1	4976037	ANGLE - LOADING DOOR	1
2	4976046	HINGE - DOOR - PAINTED	1
3	4976031	GASKET - LOADING DOOR	1
4	4976044	DOOR - LOADING - FOAMED	1
5	4976024	LABEL / INSERT - "COLD DRINKS"	1
	4976048	PHOTO - P.O.P. - LOADING DOOR	
-	1472454	SCREW - #6-20 X .31 PHILLIPS TRUSS	6
-	4047056	SCREW - SHEET METAL #8X3/8 PHS	-
6	4976038	FRAME - CAN MODULE - 10 SELECT - FOAMED	1
7	4976045	HINGE - FRAME - PAINTED	3
-	4976028	DELIVERY DOOR ASSEMBLY (INCLUDES INDEX NUMBERS 8 - 12)	2
8	4976046	HINGE - DOOR - PAINTED	1
9	4976029	GASKET - DELIVERY DOOR	1
10	4976039	DOOR - DELIVERY - FOAMED	1
11	4976040	RAIL -PRICE & SELECTION	1
12	4976014	HOLDER - PRICE & SELECTION	1
-	1472454	SCREW-#6-20 X.31 PHIL.TRUSS	6
-	1477014	ROLL-PRICE CENTS	5
-	1477015	ROLL-PRICE DOLLARS	5
-	4721035	SCREW-#8-18 X .38-LGM	11
13	4976015	SPRING - DOOR RETURN	13
14	4976032	PIN - HINGE	3
-	1577051	LABEL-ITEM LETTERS E0-E9	1
-	1577052	LABEL-ITEM LETTERS-F0-F9	1
-	2226380	SCREW-#6-19X.38 PHS T/C	-
-	4976025	LABEL - LOADING DIAGRAM - 10 SELECT CAN MODULE (NOT SHOWN - ON REAR OF LOADING DOOR)	1

Expanded Refreshment Center Parts Manual



497P0015

Figure 52. Miscellaneous Internal Parts

Expanded Refreshment Center Parts Manual

TABLE 49. MISCELLANEOUS INTERNAL PARTS

INDEX	PART NUMBER	DESCRIPTION	QTY.
1	4975056	BOX ASSEMBLY - REFRIGERATION - FOAMED	1
2	4977049	EJECTOR & MOTOR ASSEMBLY	5
3	4977040	CHANNEL - MOTOR BRACKET MOUNTING	1
4	4977048	MOTOR & EJECTOR MOUNTING CHANNEL ASSEMBLY	2
5	4977030	TRACK - CAN - CENTER (ARG./BRZ./L.A./MEX./N.Z./S.A./U.S.)	4
		TRACK - CAN - CENTER (FR./GER./U.K.)	2
6	4977031	TRACK - CAN - LEFT (ARG./BRZ./L.A./MEX./N.Z./S.A./U.S.)	1
-	4977032	TRACK - CAN - LEFT (FR./GER./U.K.)	3

Expanded Refreshment Center Parts Manual

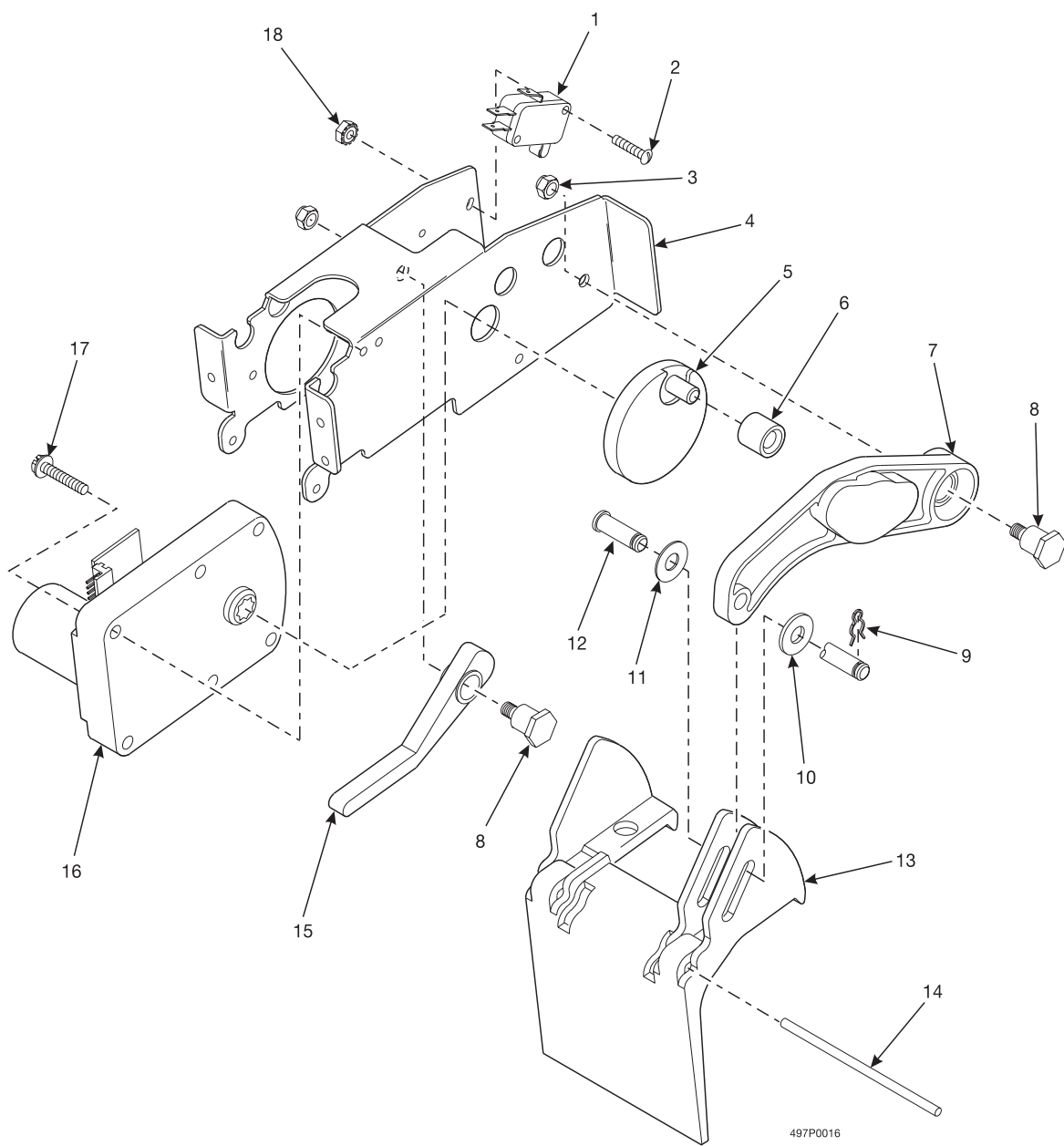


Figure 53. Ejector and Motor Assembly

Expanded Refreshment Center Parts Manual

TABLE 50. EJECTOR AND MOTOR ASSEMBLY

INDEX	PART NUMBER	DESCRIPTION	QTY.
1	2366091	SWITCH - ROLLER LEVER V3L-2103-D8	1
2	9900206	NUT #10-32 SELF - LOCKING	-
3	1217160	4-40X5/8 RHS M SCREW Z/Y	-
4	4977039	BRACKET - MOTOR MOUNTING	1
5	4977035	CAM - DRIVE MOTOR	1
6	4977056	ROLLER - MOTOR CAM	1
7	4977034	ARM - GATE EJECTOR	1
8	1457099	STUD - TRAY ROLLER	2
9	2204092	COTTER HAIR - PIN	1
10	5305318	WASHER - .257X.50X.062	1
11	4977041	WASHER - DRIVE PIN	1
12	4747031	PIVOT PIN - EJECTOR CAM	1
13	4977033	GATE - EJECTOR	1
14	4977038	PIN - PIVOT - GATE EJECTOR	1
15	4747036	SWITCH - ACTUATOR - SOLD OUT	1
16	1577035	MOTOR & PCB ASSEMBLY	1
17	1457027	SCREW-#8-32 X .81 HEX HD.-T/	2
18	1217159	4-40 KEPS W/EXT L/WAS H ZP	-

Expanded Refreshment Center Parts Manual

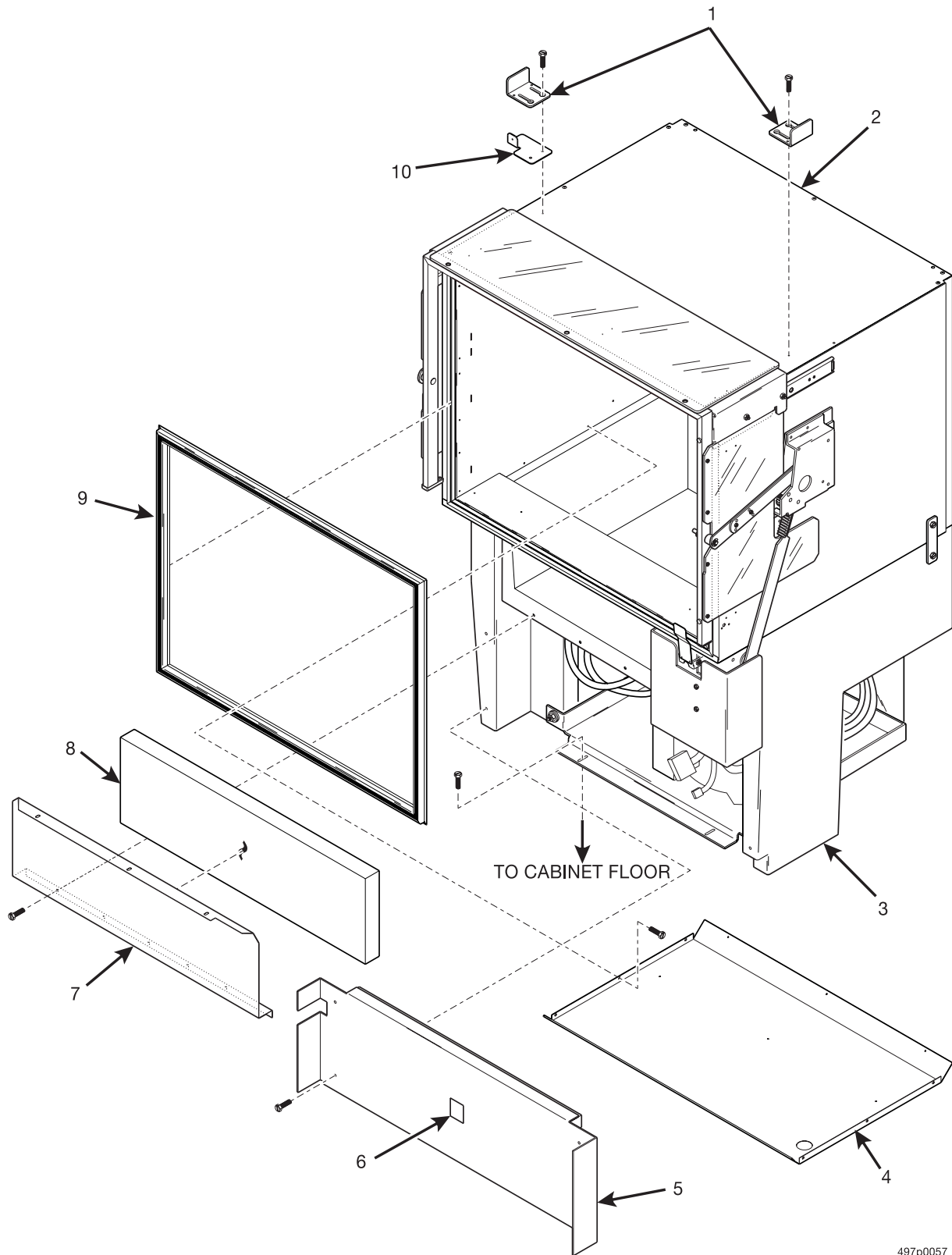


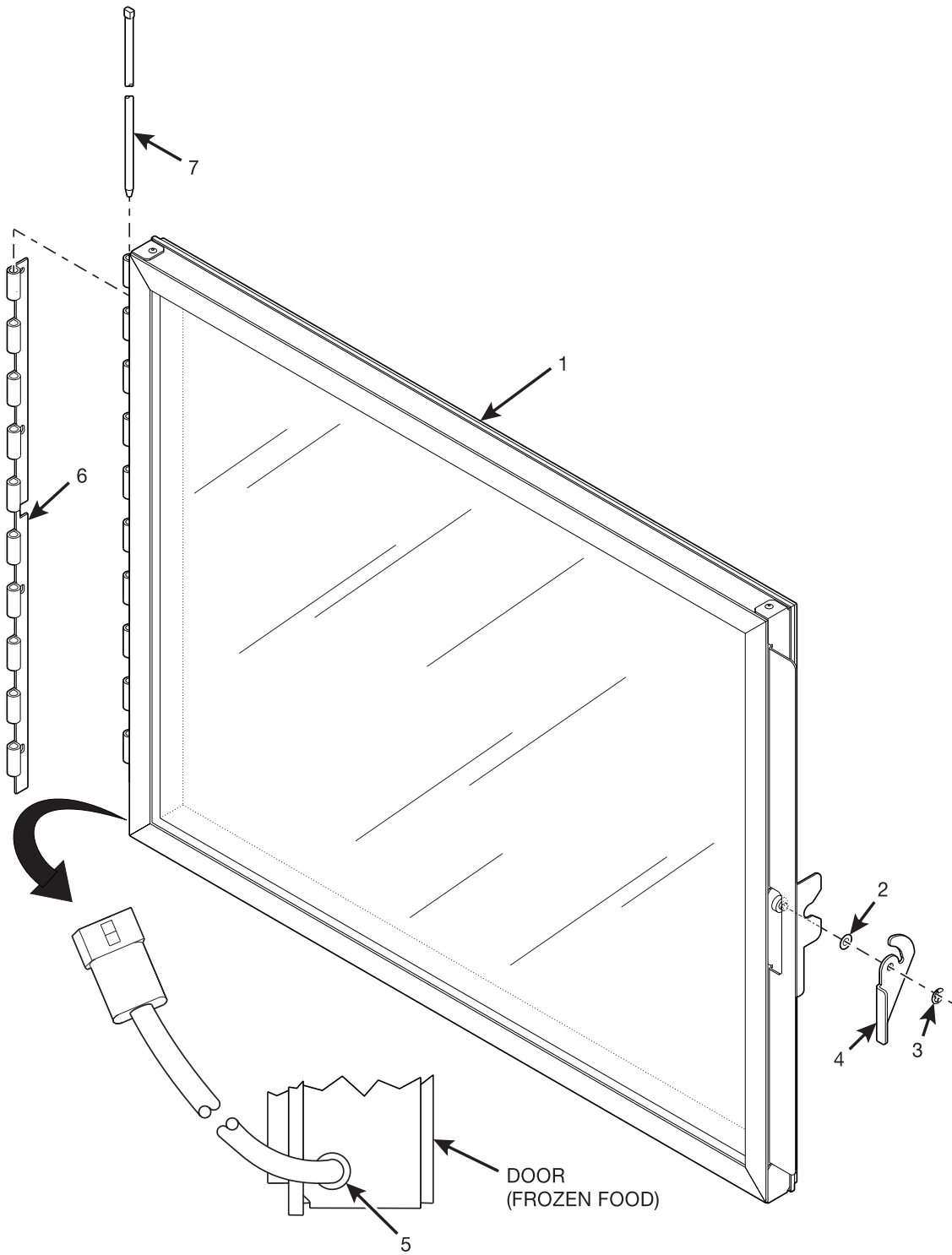
Figure 54. Cabinet Parts - Expanded Food

Expanded Refreshment Center Parts Manual

TABLE 51. CABINET PARTS - EXPANDED FOOD

INDEX	PART NUMBER	DESCRIPTION	QTY
1	4747715	BRACKET - CABINET SUPPORT	2
2	4977075	FROZEN FOOD MODULE ASSEMBLY - 115 V	1
	4977001	COLD FOOD MODULE ASSEMBLY - 115 V	
	4987003	COLD FOOD MODULE ASSEMBLY - 230 V	
3	4974045	REFRIGERATION MODULE ASSEMBLY - COLD FOOD - 115 V	1
	4974025	REFRIGERATION MODULE ASSEMBLY - FROZEN FOOD - 115 V	
	4984048	REFRIGERATION MODULE ASSEMBLY - COLD FOOD - 230 V	
4	4975021	PANEL - LINEAR - BOTTOM	1
5	4974009	COVER AND SEAL ASSEMBLY - COMPRESSOR	1
6	6231189	LABEL - WARNING - HIGH VOLTAGE - ENGLISH	1
	6231216	LABEL - WARNING - HIGH VOLTAGE - GERMAN	
	6231229	LABEL - WARNING - HIGH VOLTAGE - FRENCH	
	6232290	LABEL - WARNING - HIGH VOLTAGE - SPANISH	
7	4974012	RETAINER - DOOR	1
8	4974007	DOOR - REFRIGERATION MODULE	1
9	4976050	DOOR ASSEMBLY - COLD FOOD (SEE FIGURE 55 FOR DETAILS)	1
	4977060	DOOR ASSEMBLY - 115 V - FROZEN FOOD (SEE FIGURE 55 FOR DETAILS)	
10	4977066	BRACKET - WIRE CLAMP MOUNTING - FROZEN FOOD	1

Expanded Refreshment Center Parts Manual



497p0056

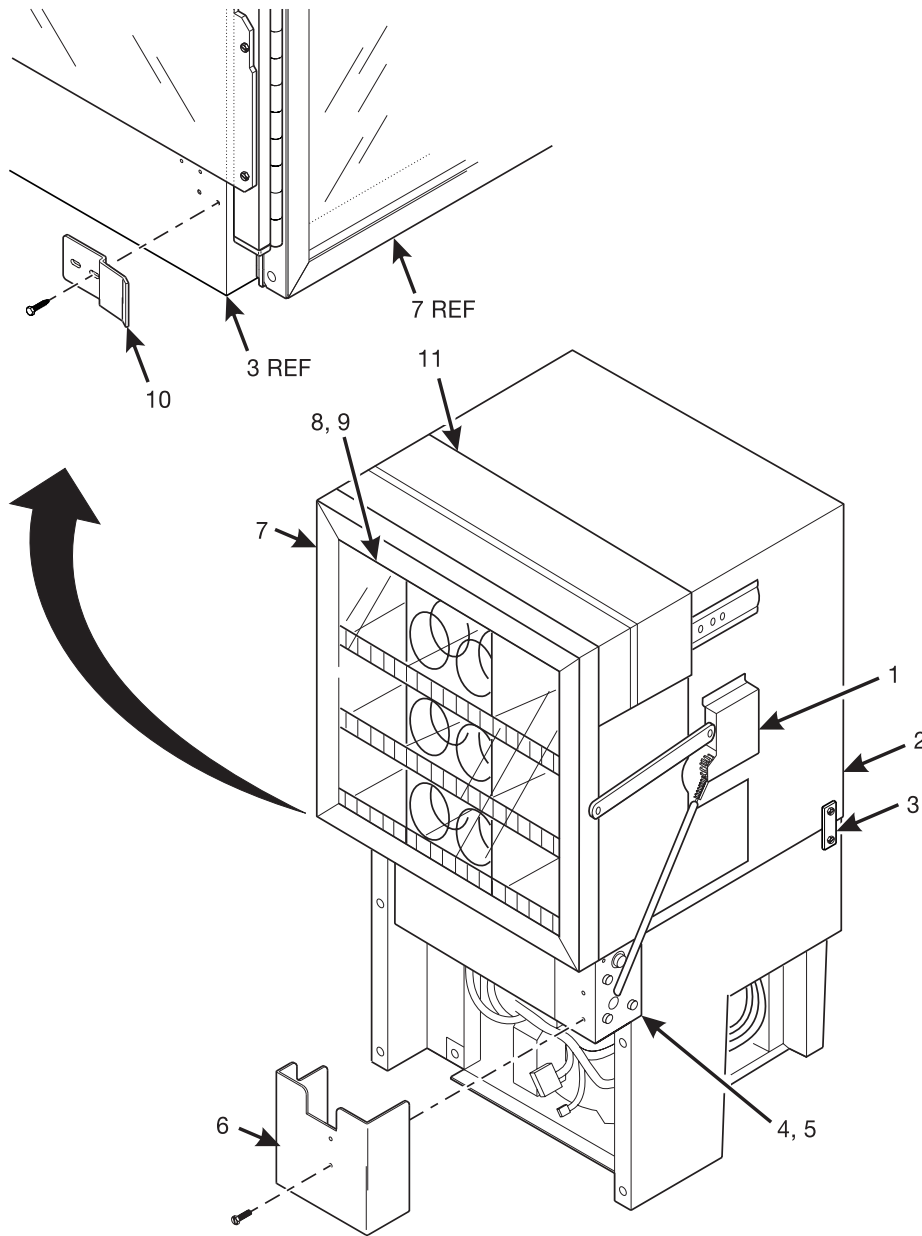
Figure 55. Door Assembly - Food Module

Expanded Refreshment Center Parts Manual

TABLE 52. DOOR ASSEMBLY - FOOD MODULE

INDEX	PART NUMBER	DESCRIPTION	QTY
1	4976050	DOOR ASSEMBLY - COLD FOOD	1
	4977060	DOOR ASSEMBLY - 115 V - FROZEN FOOD	
2	5220113	SPRING WASHER .500 X .254 X .006	1
3	9900425	RETAINING RING REINF. E TYP. 250	1
4	4976055	LEVER - LATCH	1
5	4747718	HEYCO - .281 ID X .250 LG (FROZEN FOOD)	1
6	4976070	HINGE - FOOD MODULE DOOR - PAINTED	1
7	4976058	PIN - HINGE	1

Expanded Refreshment Center Parts Manual



497p0055

Figure 56. Cold Food Module Assembly

Expanded Refreshment Center Parts Manual

TABLE 53. COLD FOOD MODULE ASSEMBLY

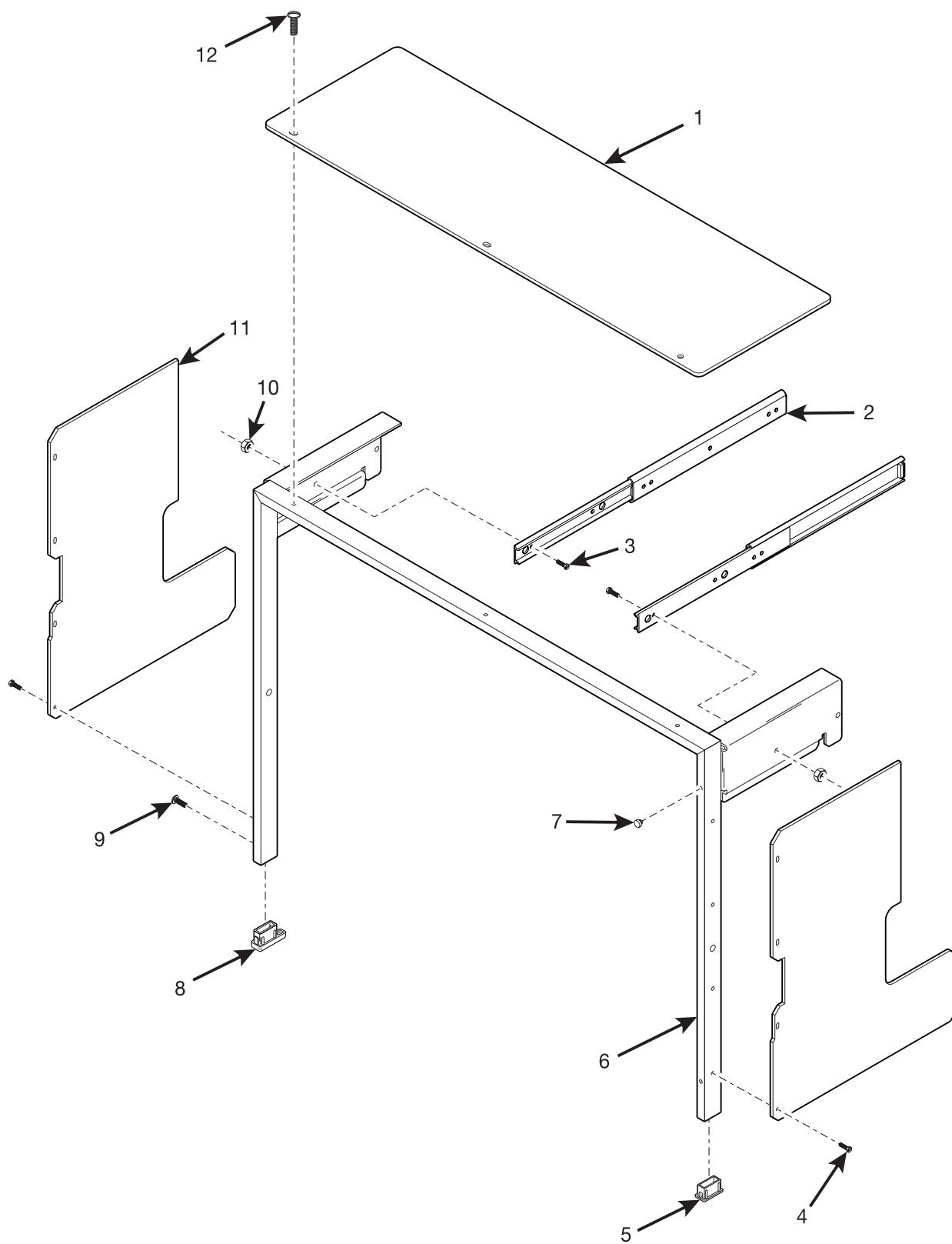
INDEX	PART NUMBER	DESCRIPTION	QTY
1	4975017	DRIVE ARM ASSEMBLY - R.H. (SEE FIGURE 60 FOR DETAILS)	1
	4975010	DRIVE ARM ASSEMBLY - L.H. (SEE FIGURE 59 FOR DETAILS)	
2	4975052	REFRIGERATION BOX ASSEMBLY - FOAMED	1
3	4747062	MOUNTING STRAP - CAN MODULE	2
4	4407077	MOTOR MOUNTING BRACKET ASSEMBLY - 110 V (SEE FIGURE 62 FOR DETAILS)	1
5	-	MOTOR TO DRIVE ARM ASSEMBLIES CONNECTION DETAIL (SEE FIGURE 57 FOR DETAILS)	-
6	4747725	COVER - MOTOR ASSEMBLY	1
7	4976050	DOOR ASSEMBLY - COLD FOOD (SEE FIGURE 56 FOR DETAILS)	1
	4977060	DOOR ASSEMBLY - 115 V - FROZEN FOOD (SEE FIGURE 56 FOR DETAILS)	
8	4612001	DECAL "CHILLED FOR FRESHNESS"	1
9	4741223	DECAL "COLD/FROZEN FOOD"	1
10	4975002	BRACKET - FRAME SUPPORT	1
11	4976066	DOOR FRAME ASSEMBLY (SEE FIGURE 58 FOR DETAILS)	1

Expanded Refreshment Center Parts Manual

TABLE 54. MOTOR TO DRIVE ARM ASSEMBLIES CONNECTION DETAIL

INDEX	PART NUMBER	DESCRIPTION	QTY
1	9900098	COTTER PIN - 3/32 X 3/4 IN	3
2	4975023	SHAFT - DRIVE	1
3	3127034	ROLL PIN - 1/8 X 13/16	2
4	9900425	RETAINING RING - REINF. E TYP .250	2
5	4047012	SHOULDER BUSHING	1
6	4407088	BRACKET - DRIVE SHAFT	1
7	4407079	ARM - DRIVE	1

Expanded Refreshment Center Parts Manual



497p0030

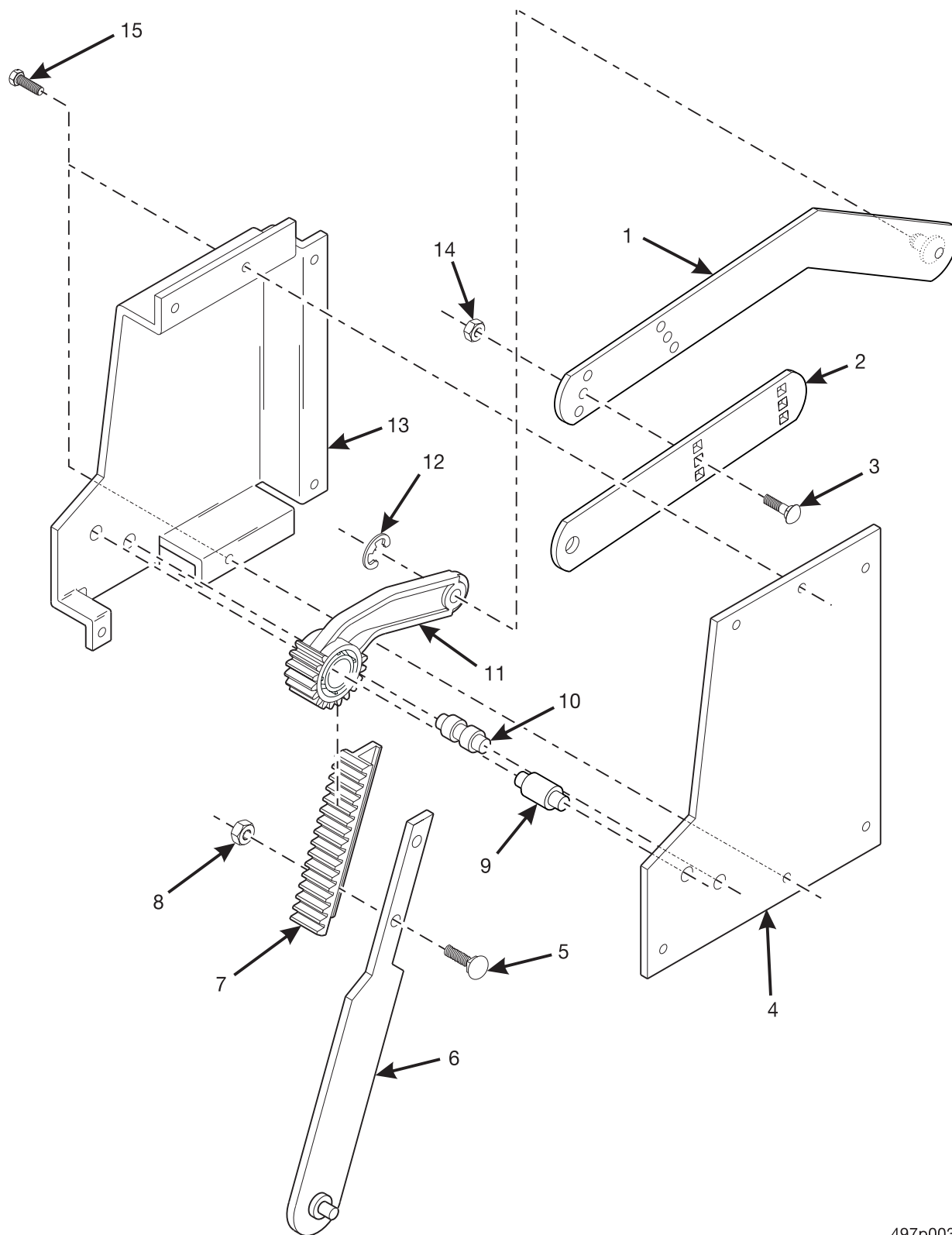
Figure 58. Food Module Door Frame Assembly

Expanded Refreshment Center Parts Manual

TABLE 55. FOOD MODULE DOOR FRAME ASSEMBLY

INDEX	PART NUMBER	DESCRIPTION	QTY
-	4976066	DOOR FRAME ASSEMBLY - FOOD MODULE	-
1	4976067	SHIELD - TOP	1
2	4407103	SLIDE - 10"	2
3	1451097	SCREW - #8-32 X .31 HEX HD - T/F - BLACK	4
4	9900118	SCREW - #8-32 X 3/8 PHS	4
5	1479120	CAP PLUG - RECTANGULAR - 1/2 X 1	1
6	4976081	DOOR FRAME WELD ASSEMBLY - FIXED	1
7	4976072	GROMMET	2
8	4407101	SUPPORT - DOOR FRAME	1
9	9900166	SCREW - #80-32 X 5/16 THS S/T	1
10	1412046	8-32 NUT 23TW832 BLOX	4
11	4976069	SHIELD - SIDE	2
12	1452312	SCREW - #10-32 X .31 THS - 5/F - BLACK	3

Expanded Refreshment Center Parts Manual



497p0031

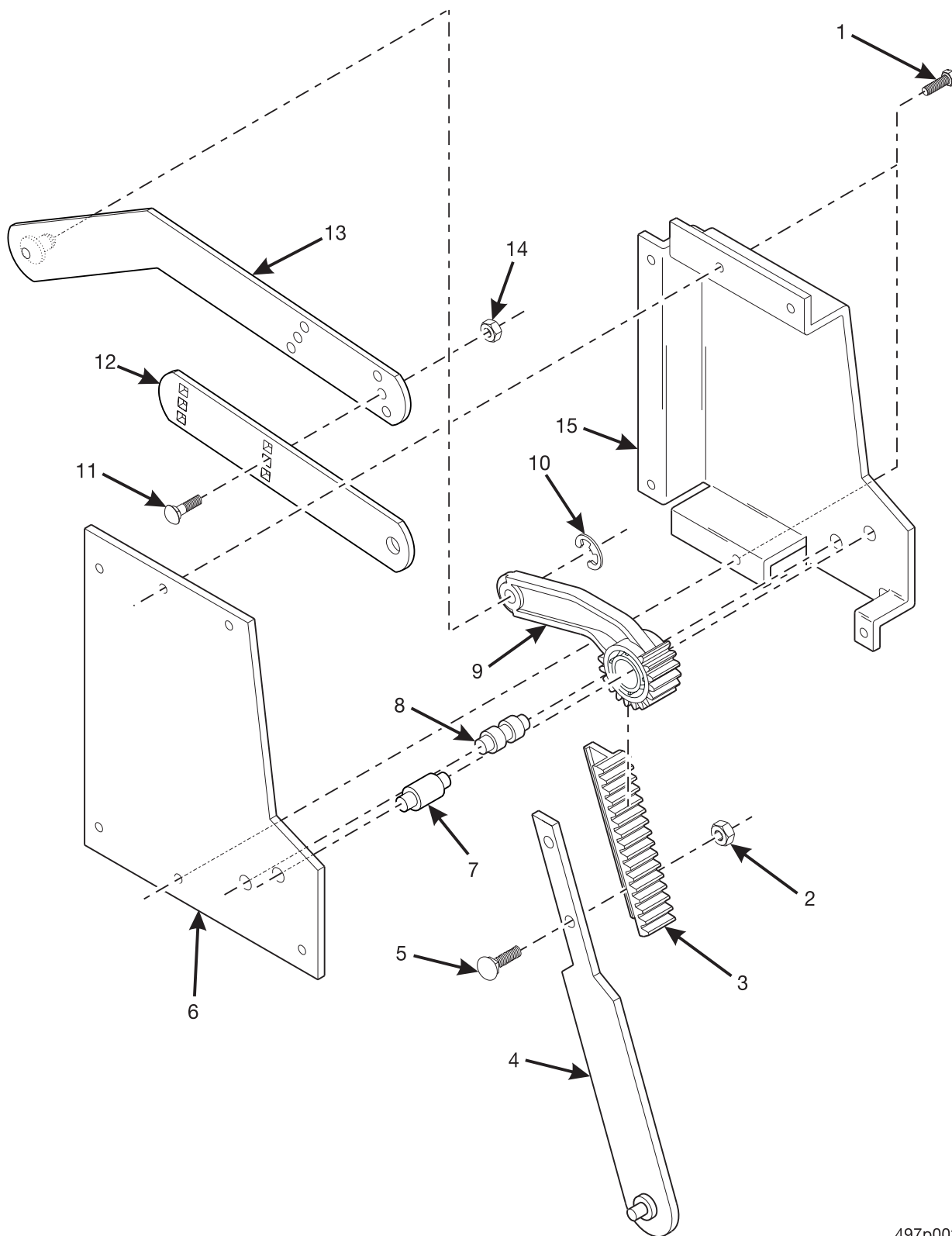
Figure 59. Left Hand Drive Arm Assembly

Expanded Refreshment Center Parts Manual

TABLE 56. LEFT HAND DRIVE ARM ASSEMBLY

INDEX	PART NUMBER	DESCRIPTION	QTY
1	4975015	DRIVE ARM AND STUD ASSEMBLY L.H.	1
2	4975014	ARM - DOOR DRIVE - SHORT	1
3	1106656	CARRIAGE BOLT - #8-32 X 5/16 ZP	2
4	4407053	PLATE - TOGGLE - L.H.	1
5	1306140	8-32 X 3/8 CARR BOLT BLK/OX	2
6	4407067	DRIVE RACK ARM ASSEMBLY	1
7	4407066	RACK - DRIVE	1
8	9900072	NUT - #8-32 SELF-LOCKING	2
9	4975013	PIVOT - TOGGLE ARM	1
10	4407055	ROLLER - DRIVE RACK	1
11	4975011	ARM - TOGGLE	1
12	9900425	RETAINING RING REINF E TYP .250	1
13	4407133	COVER - TOGGLE - L.H.	1
14	1412046	8-32 NUT MF 23TW832 BLOX	2
15	1451097	SCREW - #8-32 X .31 HEX HD TF-BLK	1

NOTE: FOR ATTACHMENT DETAILS, SEE FIGURE 61.



497p0032

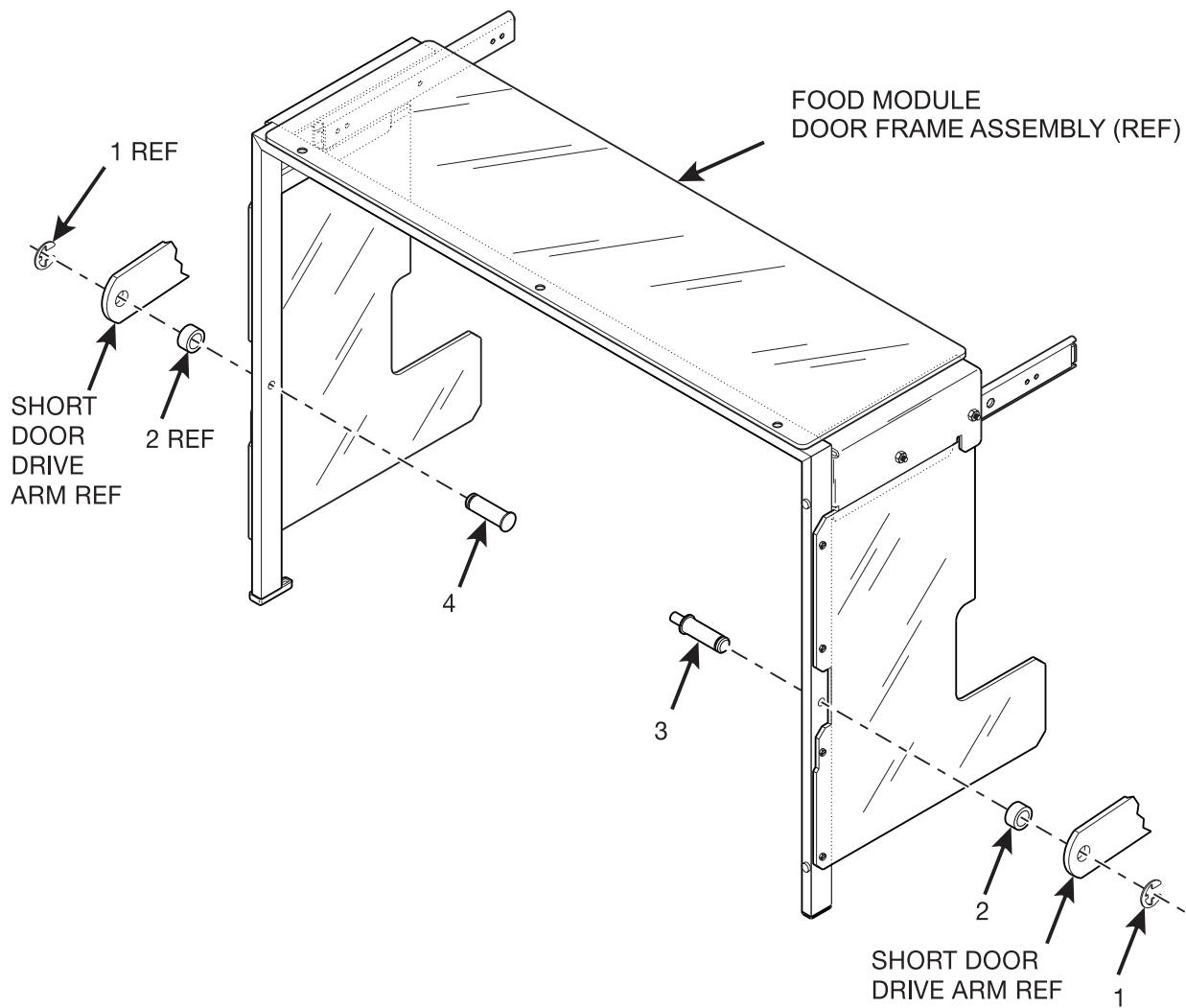
Figure 60. Right Hand Drive Arm Assembly

Expanded Refreshment Center Parts Manual

TABLE 57. RIGHT HAND DRIVE ARM ASSEMBLY

INDEX	PART NUMBER	DESCRIPTION	QTY
1	1451097	SCREW - #8-32 X .31 HEX HD TF-BLK	1
2	9900072	NUT - #8-32 SELF-LOCKING	2
3	4407066	RACK - DRIVE	1
4	4407067	DRIVE RACK ARM ASSEMBLY	1
5	1306140	8-32 X 3/8 CARR BOLT BLK/OX	2
6	4407070	PLATE - TOGGLE - R.H.	1
7	4975013	PIVOT - TOGGLE ARM	1
8	4407055	ROLLER - DRIVE RACK	1
9	4975011	ARM - TOGGLE	1
10	9900425	RETAINING RING REINF E TYP .250	1
11	1106656	CARRIAGE BOLT - #8-32 X 5/16 ZP	2
12	4975014	ARM - DOOR DRIVE - SHORT	1
13	4975019	DRIVE ARM AND STUD ASSEMBLY R.H.	1
14	1412046	8-32 NUT MF 23TW832 BLOX	2
15	4407134	COVER - TOGGLE - R.H.	1
NOTE: FOR ATTACHMENT DETAILS, SEE FIGURE 61.			

Expanded Refreshment Center Parts Manual



497P0051

Figure 61. Drive Arm Assembly Attachment Details

Expanded Refreshment Center Parts Manual

TABLE 58. DRIVE ARM ASSEMBLY ATTACHMENT DETAILS

INDEX	PART NUMBER	DESCRIPTION	QTY
1	9900431	RETAINING RING - REINF. E TYP .312	2
2	4977003	SPACER	2
3	4977004	STUD - FRAME DRIVE ARM - R.H.	1
4	4977002	STUD - FRAME DRIVE ARM - L.H.	1

Expanded Refreshment Center Parts Manual

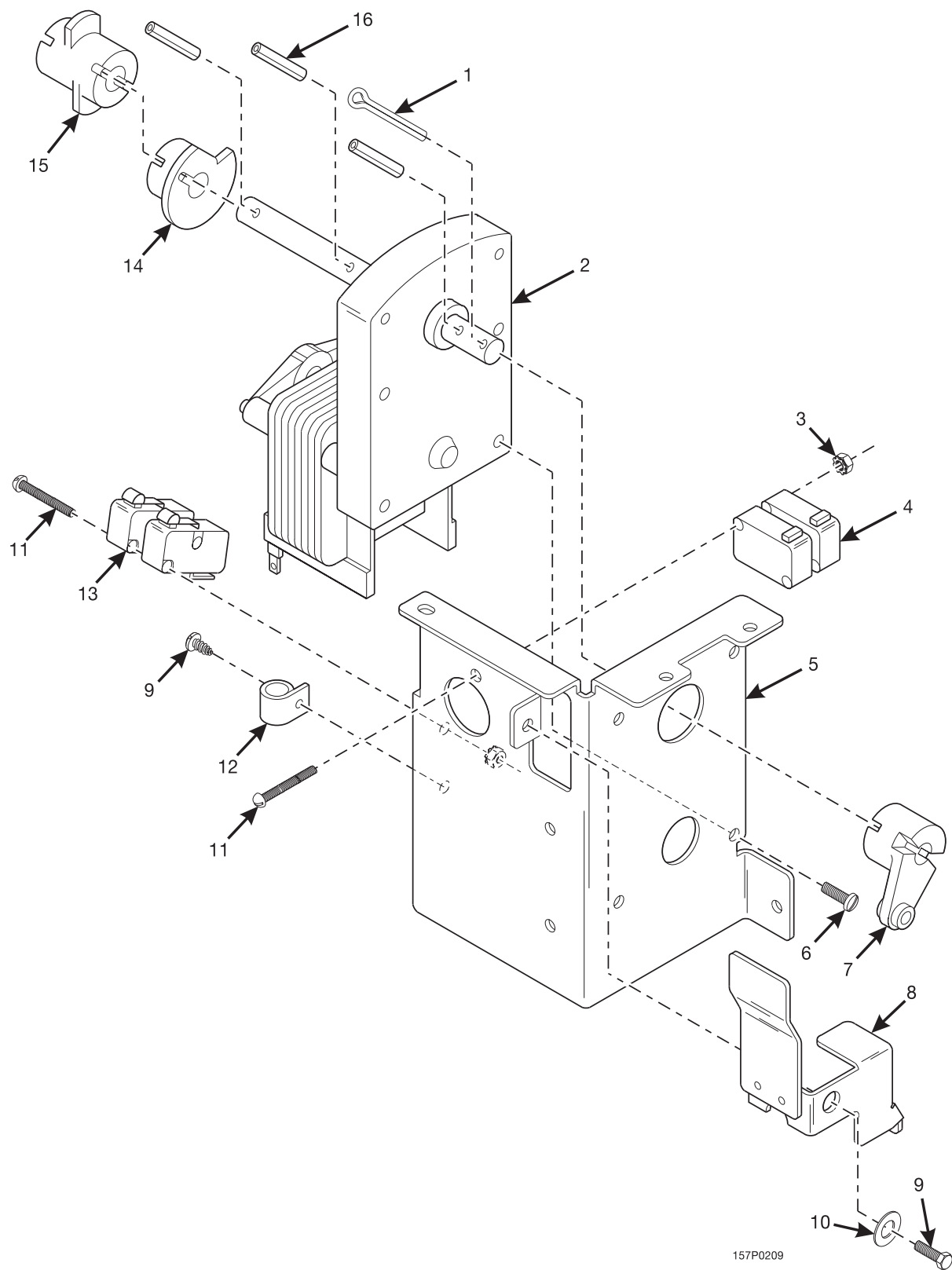


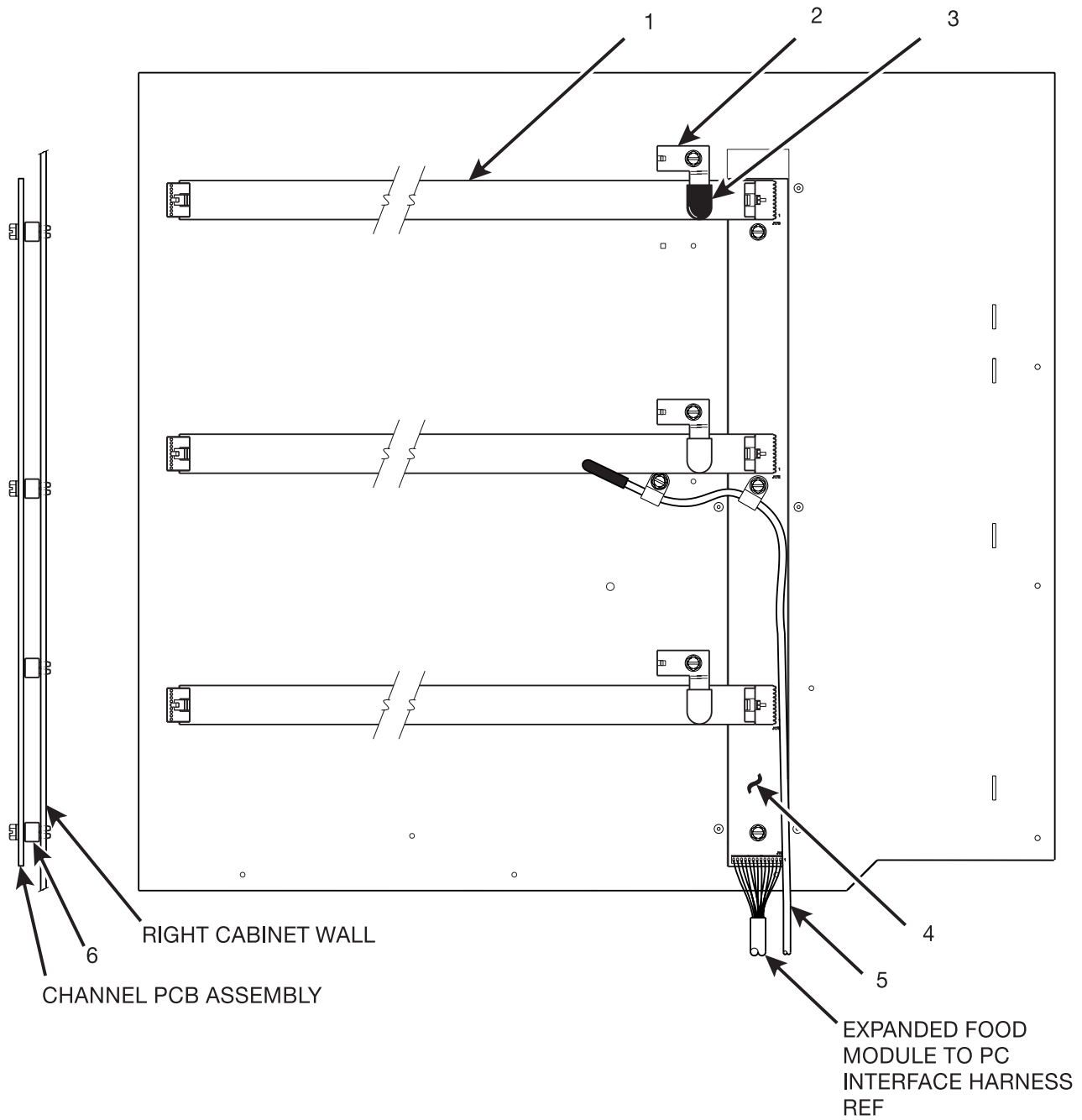
Figure 62. Motor Mounting Bracket Assembly

Expanded Refreshment Center Parts Manual

TABLE 59. MOTOR MOUNTING BRACKET ASSEMBLY

INDEX	PART NUMBER	DESCRIPTION	QTY.
-	4407077	MOTOR MOUNTING BRACKET ASSEMBLY	-
1	9900098	COTTER PIN - 3/32 X 3/4 IN	1
2	4407157	MOTOR - FOOD MODULE	1
3	1217159	4-40 KEPS W/EXT L/WAS H ZP	4
4	9984632	SWITCH - BASIC	2
5	4407131	MOUNTING BRACKET - MOTOR	1
6	9900023	SCREW #8-32 X .37 PHS W/LW	4
7	4407079	ARM - DRIVE	1
8	4407084	ACTUATOR ASSEMBLY - H.C. SWITCH	1
9	1451097	SCREW - #8-32X.31 HEX HD.TF - BLK.	2
10	2228011	SPACER RELEASE ARM	1
11	5201086	SCREW #4 40 X 1 RHS	4
12	1452139	RETAINER HARNESS	1
13	9984634	SWITCH ROLLER LEVER	2
14	4407093	CAM - H.C.SWITCH OVERRIDE	1
15	4407080	COUPLING - MOTOR & DRIVE SHAFT	1
16	3127034	ROLL PIN 1/8 X 13/16	3

Expanded Refreshment Center Parts Manual



CABINET INTERIOR- RIGHT SIDE VIEW
(SHOWN WITH TRAY RAILS REMOVED)

497P0062

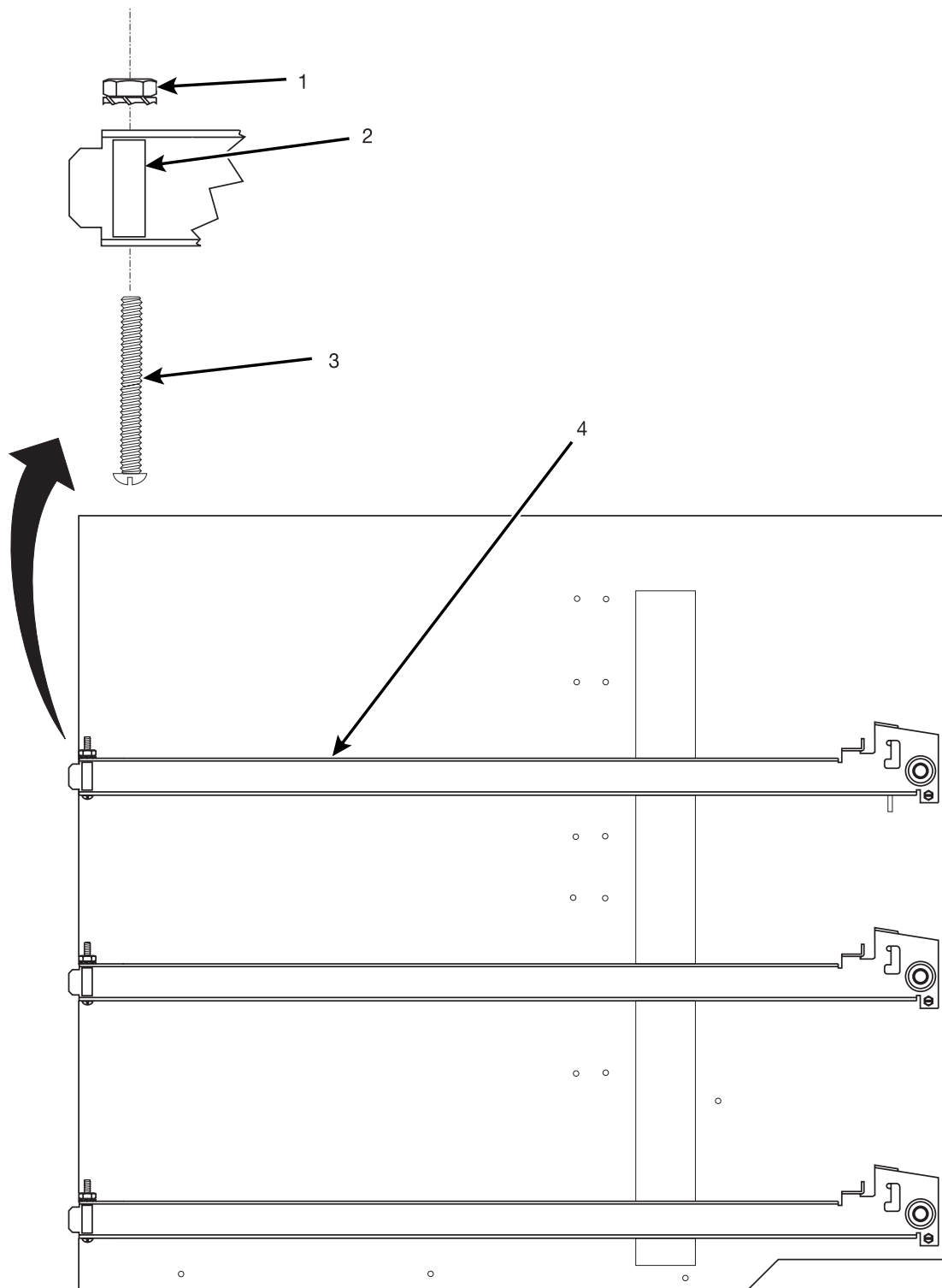
Figure 63. Food Module Cabinet Interior - Right Side (Part 1 of 2)

Expanded Refreshment Center Parts Manual

TABLE 60. FOOD MODULE CABINET INTERIOR - RIGHT SIDE (PART 1 OF 2)

INDEX	PART NUMBER	DESCRIPTION	QTY.
1	4979000	FLAT CABLE ASSEMBLY	3
2	4407156	KEEPER - HARNESS	3
3	4407014	RECTANGULAR CLOSURE	3
4	4976103	PCB ASSEMBLY - CHANNEL - EXPANDED FOOD	1
5	4119013	PROBE - TEMPERATURE SENSOR	1
6	4041049	SPACER - PRICE BOARD	4

Expanded Refreshment Center Parts Manual



CABINET INTERIOR - RIGHT SIDE VIEW

497p0063

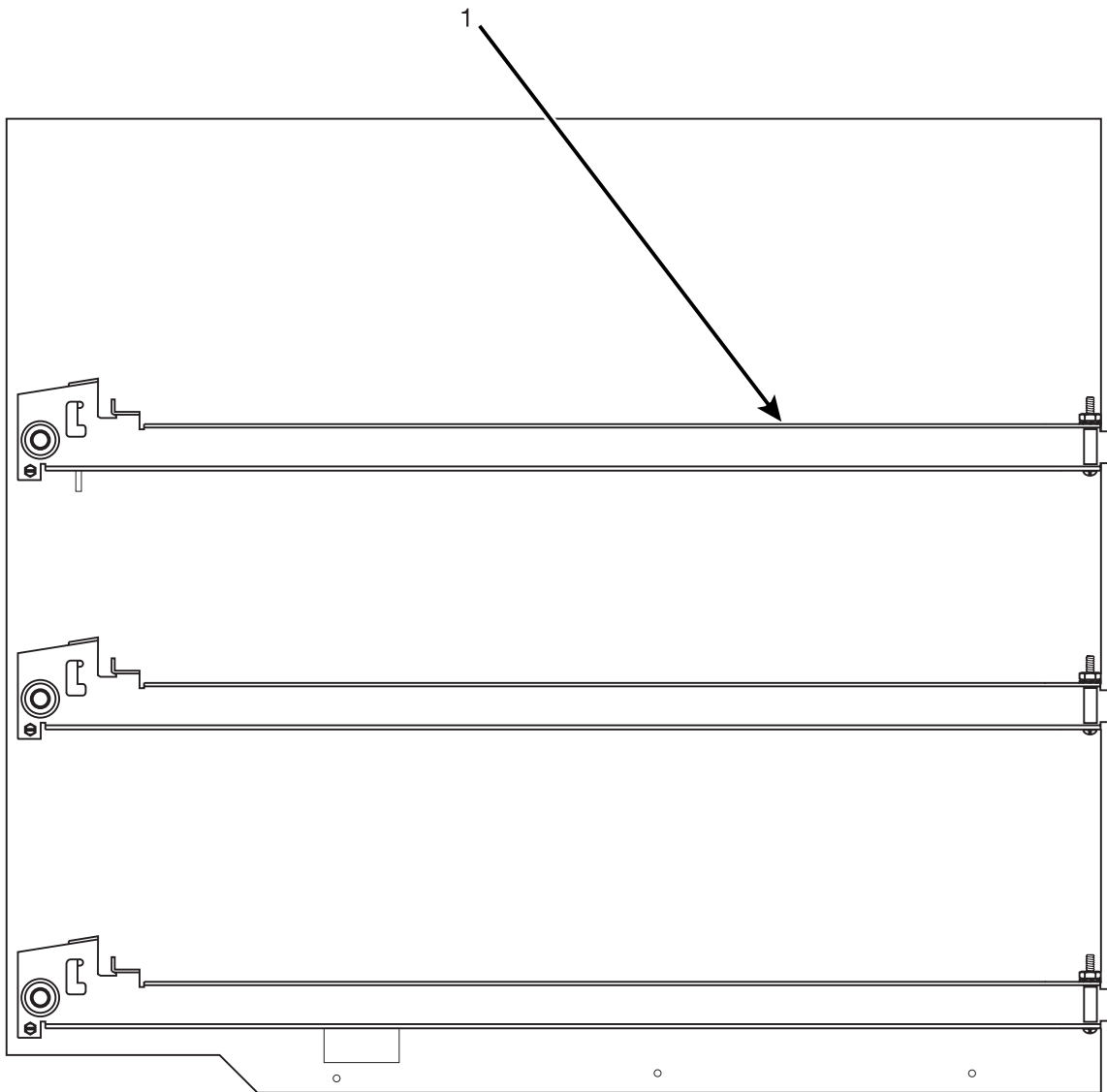
Figure 64. Food Module Cabinet Interior - Right Side (Part 2 of 2)

Expanded Refreshment Center Parts Manual

TABLE 61. FOOD MODULE CABINET INTERIOR - RIGHT SIDE (PART 2 OF 2)

INDEX	PART NUMBER	DESCRIPTION	QTY.
1	6104424	NUT - #10-32 SS EXT. LW	3
2	4407016	WIRE COVER - 6138236 - .208 X .88	3
3	4402037	SCREW - #10-32 X 1-1/2 RHS - SS	3
4	4407020	RAIL AND STOP ASSEMBLY - R.H.	3

Expanded Refreshment Center Parts Manual



CABINET INTERIOR - LEFT SIDE VIEW

497p0061

Figure 65. Cabinet Interior - Left Side View

Expanded Refreshment Center Parts Manual

TABLE 62. CABINET INTERIOR - LEFT SIDE VIEW

INDEX	PART NUMBER	DESCRIPTION	QTY.
1	4407015	RAIL AND STOP ASSEMBLY - L.H.	3

Expanded Refreshment Center Parts Manual

FOOD MODULE - CABINET INTERIOR

INNER CEILING AND WALL OF FOAM BOX ASSEMBLY

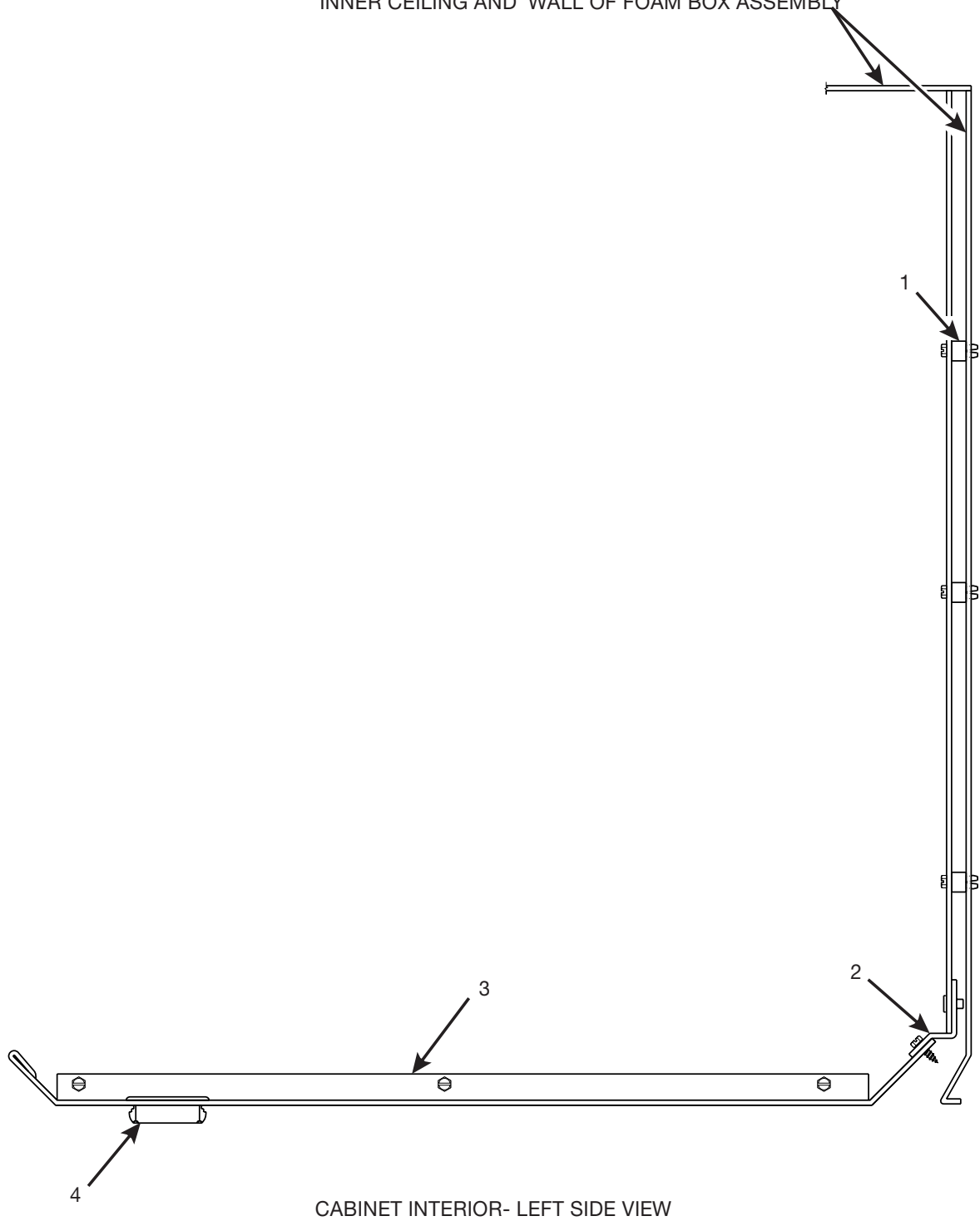


Figure 66. Food Module Cabinet Interior - Section

497P0064

Expanded Refreshment Center Parts Manual

TABLE 63. FOOD MODULE CABINET INTERIOR - SECTION

INDEX	PART NUMBER	DESCRIPTION	QTY.
1	4241165	SPACER - LINER .375 LG X .500 DIA	5
2	4975048	SUPPORT - AIR DUCT - COLD FOOD	1
	4975050	AIR DUCT ASSEMBLY - FROZEN FOOD	
3	4975021	PANEL - LINER - BOTTOM	1
4	3106186	BUSHING #SB1187-15	1

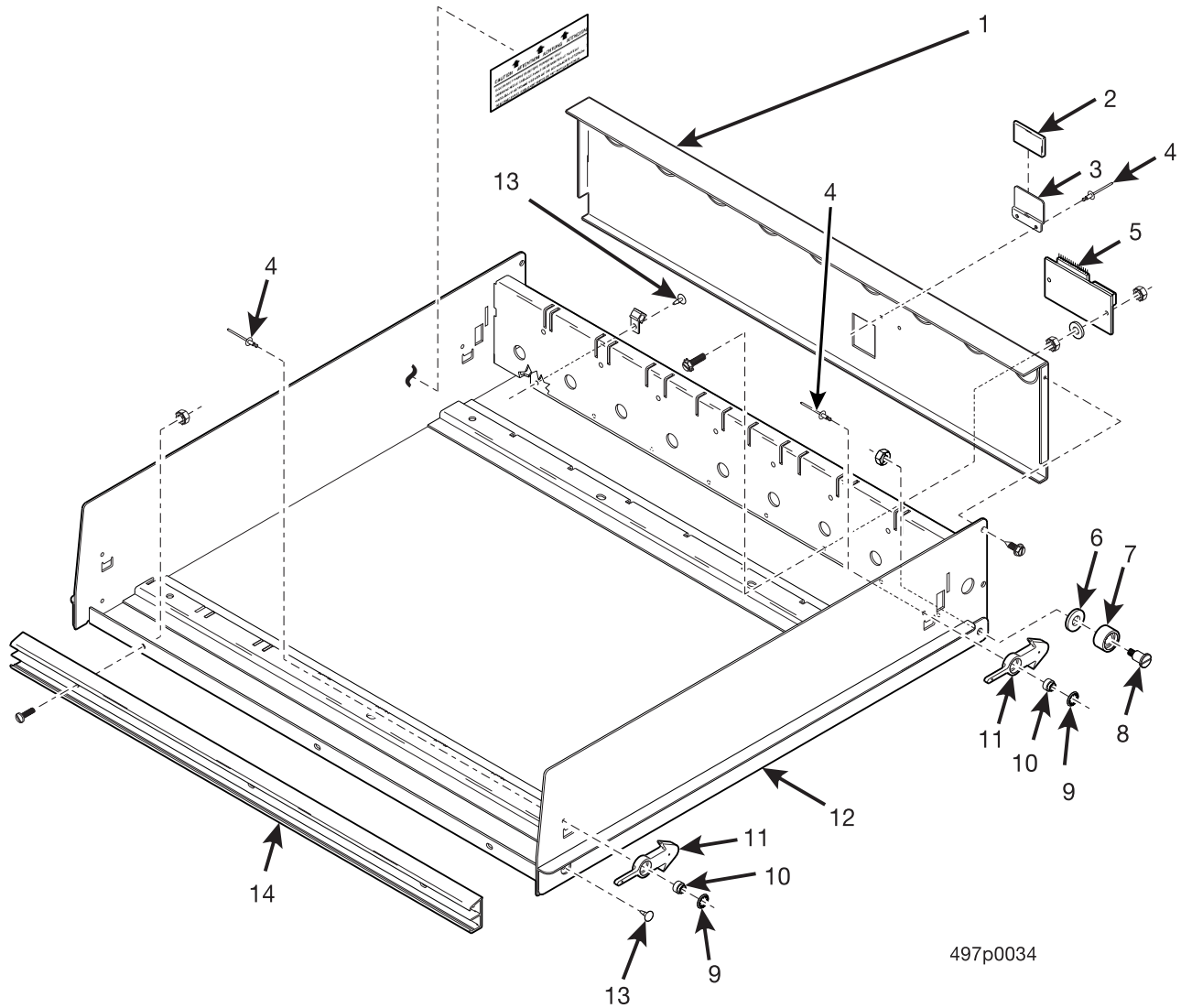


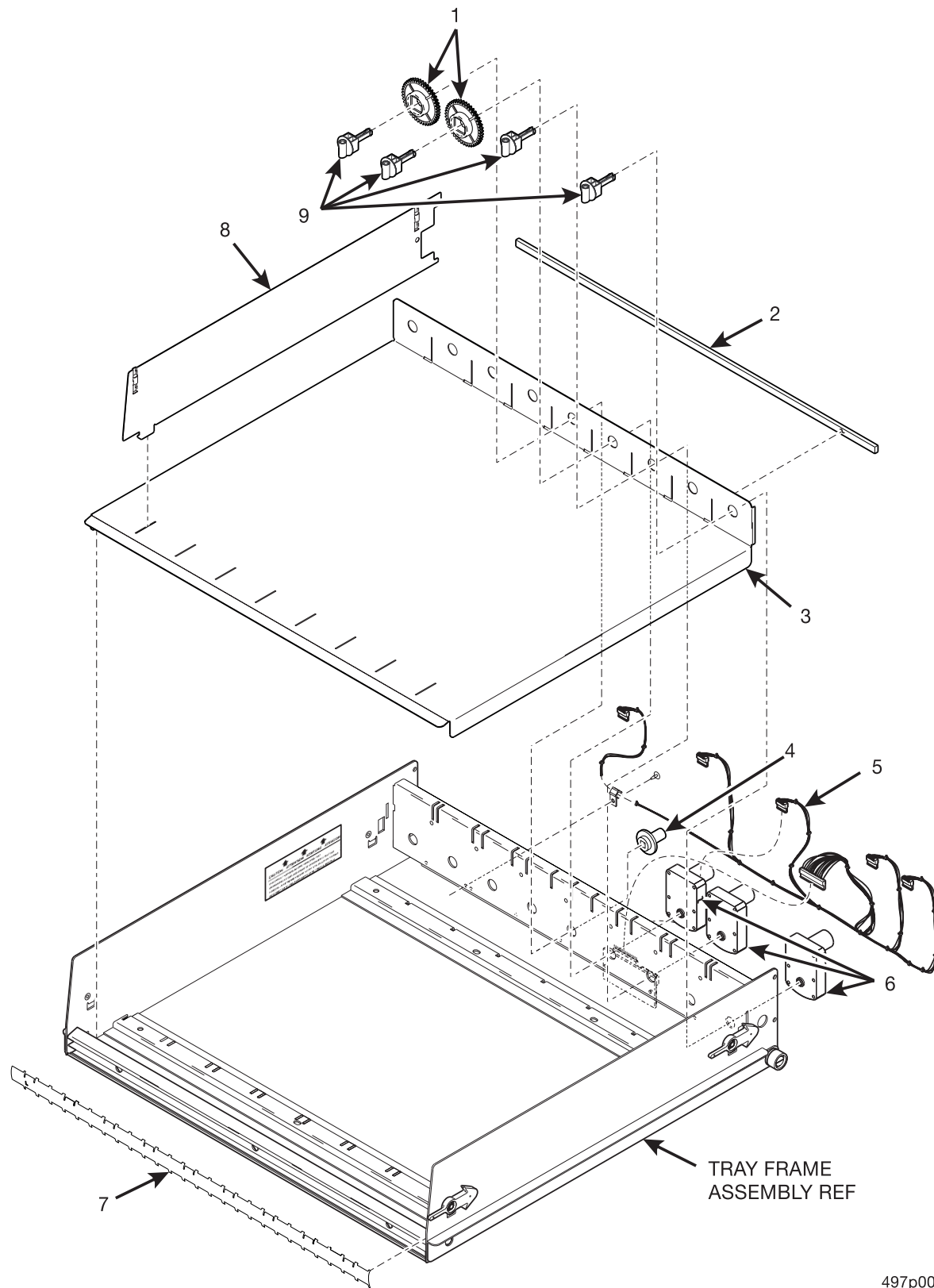
Figure 67. Food Module Tray Frame Assembly

Expanded Refreshment Center Parts Manual

TABLE 64. FOOD MODULE TRAY FRAME ASSEMBLY

INDEX	PART NUMBER	DESCRIPTION	QTY.
-	4977220	TRAY FRAME ASSEMBLY	-
1	4977221	COVER - TRAY MOTORS	1
2	4977212	RECTANGULAR CLOSURE	1
3	4977214	BRACKET - CABLE CLAMP	1
4	3502078	RIVET - POP - .125 DIA X.265	-
5	4976105	PCB ASSEMBLY - TRAY - EXPANDED FOOD	1
6	5220042	NYLON WASHER	2
7	4407019	ROLLER - TRAY	2
8	4407514	STUD - TRAY ROLLER	2
9	5201267	PUSH-ON RETAINER .312	4
10	4977208	STUD - LATCH - TRAY	4
11	1477017	LATCH	4
12	4977218	TRAY ASSEMBLY - WELD	1
13	4042556	CANOE CLIP	7
14	4975026	RAIL - PRICE AND SELECTION	1

Expanded Refreshment Center Parts Manual



497p0036

Figure 68. Spiral Tray Assembly - 5, 6, and 9 Motor

Expanded Refreshment Center Parts Manual

TABLE 65. SPIRAL TRAY ASSEMBLY - 5, 6, AND 9 MOTOR

INDEX	PART NUMBER	DESCRIPTION	# OF MOTORS IN TRAY			
			5	6	8	9
-	4977431	SPIRAL MODULE ASSEMBLY - 5 MOTOR	X			
-	4977430	SPIRAL MODULE ASSEMBLY - 6 MOTOR		X		
-	4977433	SPIRAL MODULE ASSEMBLY - 8 MOTOR			X	
-	4977432	SPIRAL MODULE ASSEMBLY - 9 MOTOR				X
1	1477020	GEAR - TRAY	6	-	-	-
2	4977405	GASKET - FOAM TAPE - .38	1	1	1	1
3	4977401	BASE - SPIRAL TRAY	1	1	1	1
4	1477022	BEARING - COUPLER	3	-	-	-
5	4979002	HARNESS - TRAY EXPAN. MOD - 5 SELECT	1	-	-	-
	4979001	HARNESS - TRAY - EXPAN. MOD - 9 SELECT	-	1	1	1
6	4744555	MOTOR AND PCB ASSEMBLY	5	6	8	9
7	4977402	HOLDER - PRICE/SELECTION - SPIRAL	1	1	1	1
8	4977404	WALL - SPIRAL TRAY	3	2	3	8
9	1477113	COUPLING - SPIRAL	9	6	8	9

TABLE 65 A. SPIRAL OPTIONS

Spiral Count	Retainer Color	Retainer	PART NUMBERS			
			LEFT HAND		RIGHT HAND	
			Assembly	Spiral	Assembly	Spiral
5	TAN	4407817	4977410	4977411	4977412	4977413
6	DARK GREEN	4407822	4977414	4977415	4977416	4977417
7	MAUVE	4407827	4977418	4977419	4977420	4977421
9	AQUA	4407833	4977422	4977423	4977424	4977425
12	BLACK	1477073	4977426	4977427	4977428	4977429

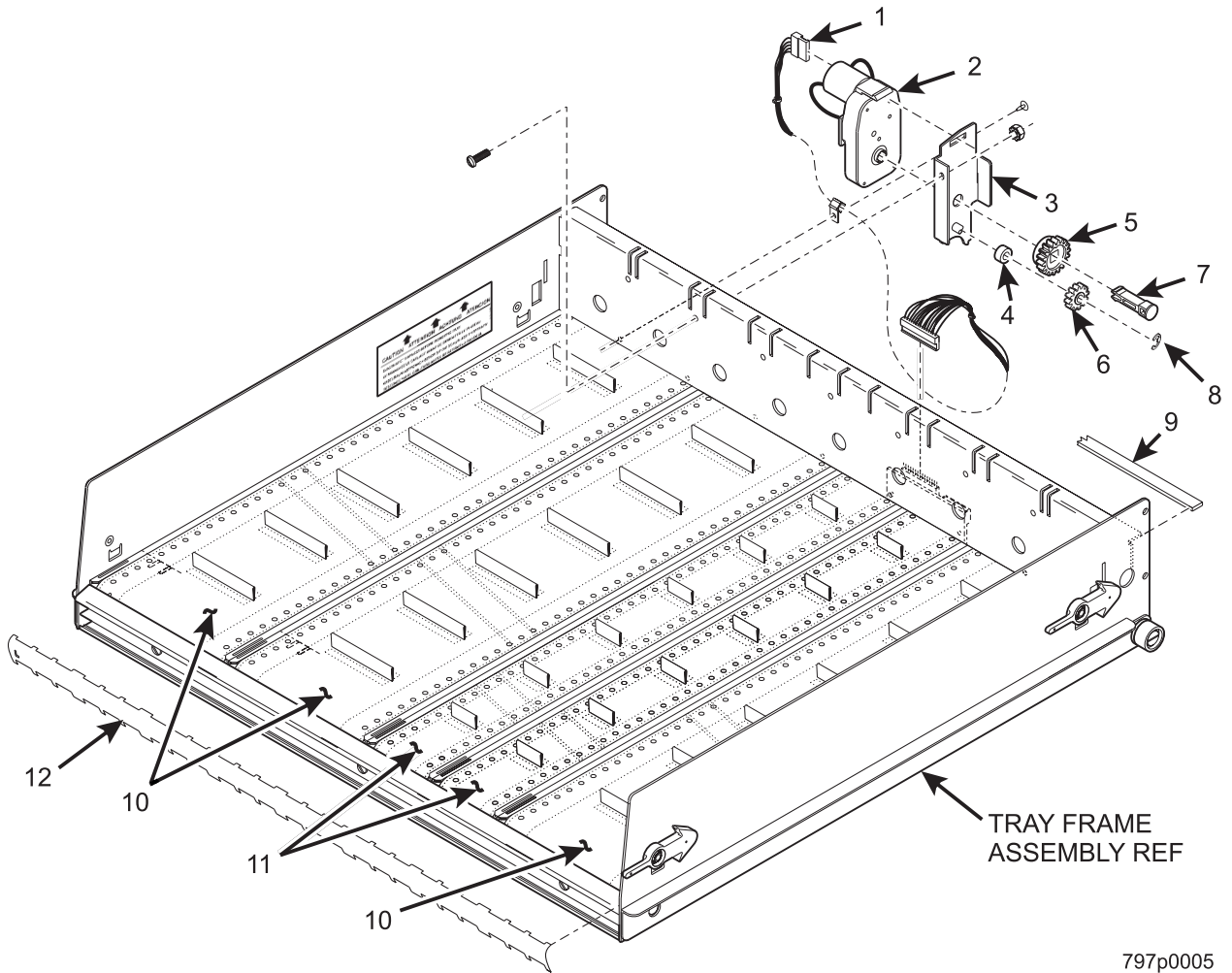


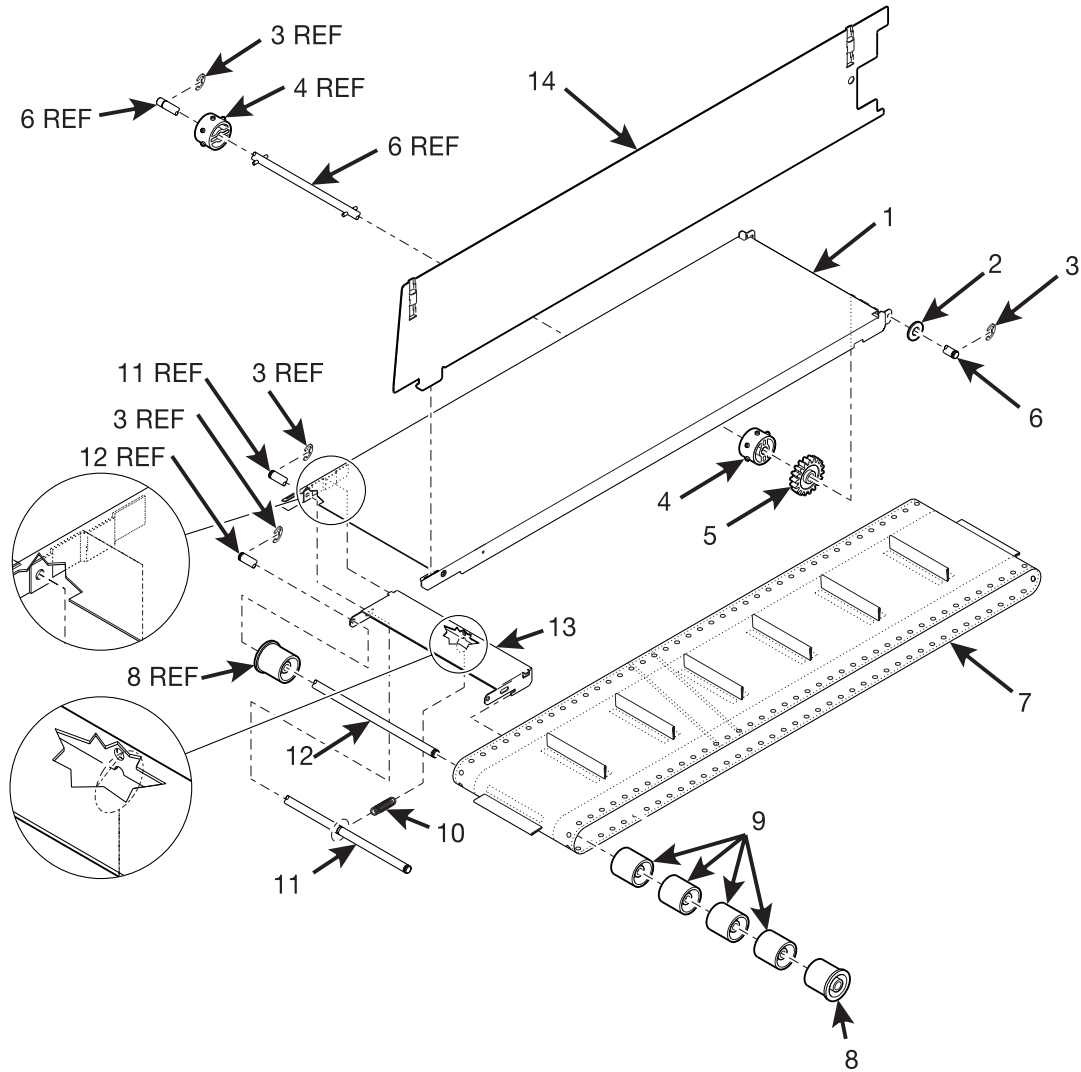
Figure 69. Belt Module Tray Assembly

Expanded Refreshment Center Parts Manual

TABLE 66. BELT MODULE TRAY ASSEMBLY

INDEX	PART NUMBER	DESCRIPTION	QTY.
-	4977335	BELT MODULE AND TRAY ASSEMBLY - 5 MOTOR	-
	4977334	BELT MODULE AND TRAY ASSEMBLY - 4 MOTOR (NOT SHOWN)	
	4977349	BELT MODULE AND TRAY ASSEMBLY - 8 MOTOR (NOT SHOWN)	
1	4979006	HARNESS - TRAY - EXPAN. MOD - 8 SELECT (USED IN 5 AND 8 MOTOR TRAY ASSEMBLIES)	1
	4979003	HARNESS - TRAY - EXPAN. MOD - 4 SELECT (4 MOTOR TRAY ONLY)	
2	4977312	MOTOR AND PCB ASSEMBLY	OPT.
3	4977347	BRACKET/MOTOR AND STUD MOUNTING ASSEMBLY	OPT.
4	4977325	SPACER	OPT
5	4977316	GEAR - DRIVE - MOTOR	OPT
6	4407712	COUPLING - MOTOR	OPT
7	3103029	WALDES TRUARC RING	OPT
8	4977315	RETAINER - DIVIDER - WALL	1
9	4407616	GEAR - IDLER - BELT MODULE	5
10	4977322	BELT AND SUPPORT ASSEMBLY - SINGLE (SEE FIGURE 70 FOR DETAILS)	OPT
11	4977323	BELT AND SUPPORT ASSEMBLY - DUAL (SEE FIGURE 71 FOR DETAILS)	OPT.
12	4977310	HOLDER - PRICE AND SELECTION	1

Expanded Refreshment Center Parts Manual



497p0087

Figure 70. Belt and Support Assembly - Single

Expanded Refreshment Center Parts Manual

TABLE 67. BELT AND SUPPORT ASSEMBLY - SINGLE

INDEX	PART NUMBER	DESCRIPTION	QTY.
-	4977322	BELT AND SUPPORT ASSEMBLY - SINGLE	-
1	4977318	BELT AND SUPPORT ASSEMBLY WELD - SINGLE	1
2	9900041	WASHER - BRASS - 9/16 X .260 X .040	1
3	3103029	WALDES TRUARC RING	4
4	4407619	SPROCKET - DRIVE	2
5	4407618	GEAR - BELT DRIVE	1
6	4977341	DRIVE SHAFT ASSEMBLY	1
7	4977337	BELT - CONVEYOR - SINGLE	1
8	4407611	ROLLER - BELT - OUTSIDE	2
9	4407612	ROLLER - BELT - INSIDE	4
10	3108221	SCREW - #8-32 X 3/8 PHS ST. STL	-
11	4977343	SHAFT - BELT TENSIONER - DUAL	1
12	4977340	SHAFT BELT - FRONT	1
13	4977339	SUPPORT - BELT END	1
14	4977404	WALL - SPIRAL TRAY (4-BELT TRAY)	3
		WALL - SPIRAL TRAY (5-BELT TRAY)	4
		WALL - SPIRAL TRAY (8-BELT TRAY)	7

Expanded Refreshment Center Parts Manual

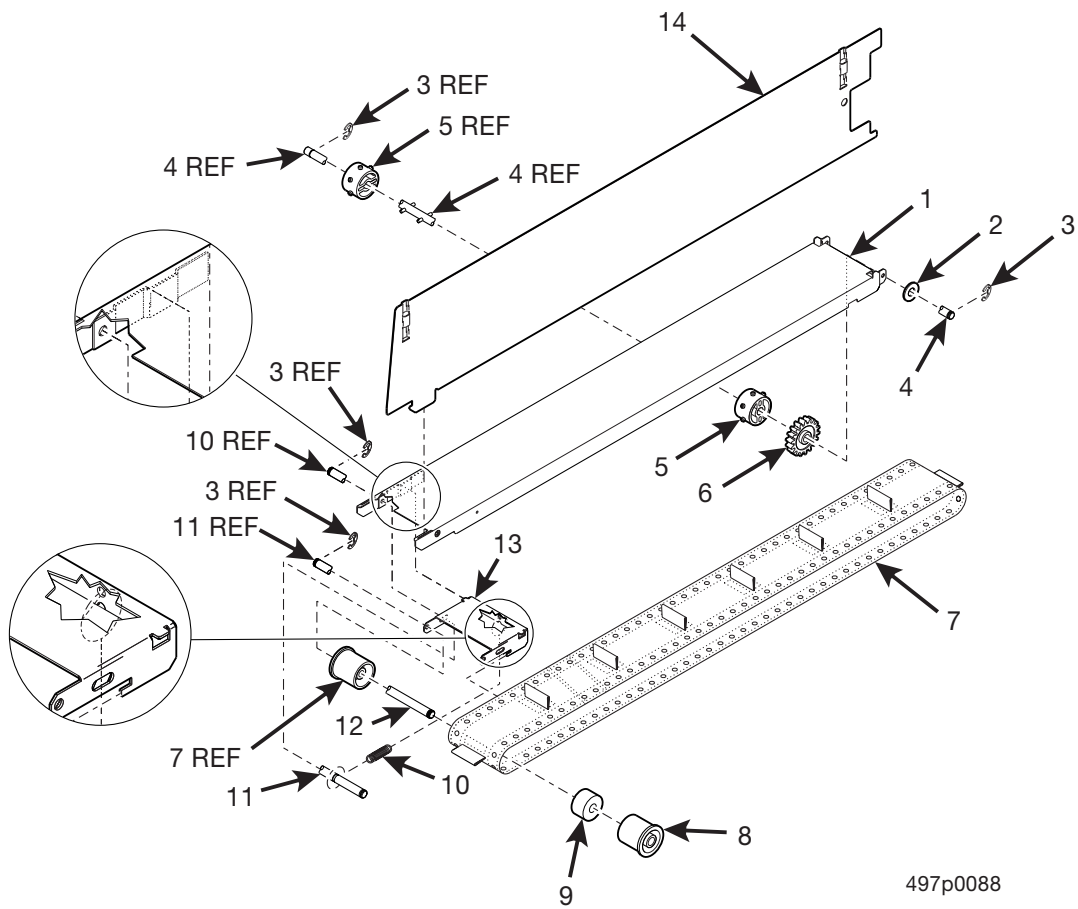


Figure 71. Belt and Support Assembly - Dual

Expanded Refreshment Center Parts Manual

TABLE 68. BELT AND SUPPORT ASSEMBLY - DUAL

INDEX	PART NUMBER	DESCRIPTION	QTY.
-	4977323	BELT AND SUPPORT ASSEMBLY - DUAL	-
1	4977319	BELT AND SUPPORT ASSEMBLY WELD - DUAL	1
2	9900041	WASHER - BRASS - 9/16 X .260 X .040	1
3	3103029	WALDES TRUARC RING	4
4	4977328	DRIVE SHAFT ASSEMBLY - DUAL	1
5	4407619	SPROCKET - DRIVE	2
6	4407618	GEAR - BELT DRIVE	1
7	4977326	BELT - CONVEYOR - DUAL	1
8	4407611	ROLLER - BELT - OUTSIDE	2
9	4977329	SPACER	2
10	4407607	SPRING - BELT TENSION	1
11	4977343	SHAFT - BELT TENSIONER - DUAL	1
12	4977330	SHAFT BELT - FRONT - DUAL	1
13	4977326	SUPPORT - BELT END - DUAL	1
14	4977404	WALL - SPIRAL TRAY (4-BELT TRAY)	3
		WALL - SPIRAL TRAY (5-BELT TRAY)	4
		WALL - SPIRAL TRAY (8-BELT TRAY)	7

Expanded Refreshment Center Parts Manual

TABLE 69. REFRIGERATION UNIT COMPONENTS

MACHINE CONFIGURATION	797 AMBIENT SNACK AND CAN (115 V DOMESTIC)	797 AMBIENT SNACK AND REFRIGERATED FOOD (115 V DOMESTIC)	797 AMBIENT SNACK AND FRO- ZEN FOOD (115 V DOMESTIC)	797 AMBIENT SNACK AND CAN (230 V INTERNATIONAL)	798 CHILLED SNACK AND CAN (230 V INTERNATIONAL)	798 CHILLED SNACK AND REFRIGERATED FOOD (230 V INTERNATIONAL)
	PART NUMBER					
PART DESCRIPTION	PART NUMBER					
REFRIGERATION UNIT ASSEMBLY	4974000	4974045	4974025	4974022	4984047	4984048
COMPRESSOR	4744108	4744108	7974008	4844014	4984016	4984016
COMPRESSOR COMPONENTS	4744106	4744106	7974009	4844015	4984015	4984015
CONDENSER	4744109	4744109	4984022	4744109	4984022	4984022
CONDENSER FAN MOTOR	4744112	4744112	4304092	3618157	4774122	4774122
CONDENSER FAN BLADE	3608149	3608149	4774027	3608149	4774027	4774027
EXPANSION DEVICE					4774087	4774087
EVAPORATOR - CHILLED SNACK					4984023	4984023
EVAPORATOR FAN ASSEMBLY					4874002	4874002
EXPANSION DEVICE	4844024	4844024		4844024	4774087	4774087
EVAPORATOR - CAN & REFRIGER- ATED FOOD	4744044	4744044		4744044	4984024	4984024
EVAPORATOR FAN ASSEMBLY	4724124	4724124		4844001	4844001	4844001
EXPANSION DEVICE			4744573			
EVAPORATOR - FROZEN FOOD			4974040			
EVAPORATOR FAN ASSEMBLY			4844000			
RETURN AIR TEMPERATURE PROBE	4119013	4119013	4119013	4119013	4119013	4119013
EPR VALVE					4774089	4774089
TRIAC	4646004	4846005	4644007	4646004	4646004	4846005

Expanded Refreshment Center Parts Manual

TABLE 70. BAG ASSEMBLY B4970000

PART NUMBER	DESCRIPTION	QTY.
B4970000	BAG ASSEMBLY-CAN:15 (U.S.)	-
WD167002	W.D.115V SNK.-CHIL/CAN/COF/M	1
WD497000	W.D.-10 SEL.CAN MOD.-W/G&M	1
1477015	ROLL-PRICE DOLLARS KB	12
1477071	PACKAGE ASSY-PRODUCT PUSHER	
1477083	RETAINER-SPIRAL-WALL	10
1575107	TAG-PRICE-G&M-.25-1.55	1
1577047	LABEL-ITEM LETTERS-A0-A9	1
1577048	LABEL-ITEM LETTERS-B0-B9	1
1577049	LABEL-ITEM LETTERS-C0-C9	1
1670001	MAIN SNACK SET-UP GUIDE	1
1670024	SNACK/RC PROGRAMMING GUIDE	1
1679059	LIST-HARNESSES	1
2360036	BAG PACKING	2
4747091	FLAVOR STRIPS-10	1
4747097	PROD.ID LBL/FLAVR STRIP INST	1
4770039	BAG-PLASTIC-10"X13	1
4840053	SET UP GUIDE-CAN/COLD FD/FZN	1
4970022	LIST-BAG ASSY B4970000-CONTE	

Expanded Refreshment Center Parts Manual

TABLE 71. BAG ASSEMBLY B4970006

PART NUMBER	DESCRIPTION	QTY.
B4970006	BAG ASSEMBLY-FOOD:15 (U.S.)	-
WD167002	W.D.115V SNK.-CHIL/CAN/COF/M	1
WD497001	W.D.-FOOD MODULE-EXPANDED	1
1477014	ROLL-PRICE CENTS (KB)	10
1477015	ROLL-PRICE DOLLARS KB	12
1477071	PACKAGE ASSY-PRODUCT PUSHER	
1477083	RETAINER-SPIRAL-WALL	10
1575107	TAG-PRICE-G&M-.25-1.55	1
1577047	LABEL-ITEM LETTERS-A0-A9	1
1577048	LABEL-ITEM LETTERS-B0-B9	1
1577049	LABEL-ITEM LETTERS-C0-C9	1
1577050	LABEL-ITEM LETTERS-D0-D9	1
1577051	LABEL-ITEM LETTERS-E0-E9 KB	1
1577052	LABEL-ITEM LETTERS-F0-F9 KB	1
1670001	MAIN SNACK SET-UP GUIDE	1
1670024	SNACK/RC PROGRAMMING GUIDE	1
1679059	LIST-HARNESSES	1
2360036	BAG PACKING	3
4612001	DECAL-"CHILLED FOR FRESHNESS	1
4840053	SET UP GUIDE-CAN/COLD FD/FZN	1
5920012	BAG-PLASTIC-12 X 15	1

Expanded Refreshment Center Parts Manual

TABLE 72. BAG ASSEMBLY B4980001

PART NUMBER	DESCRIPTION	QTY.
B4980001	BAG ASSEMBLY:CAN-1 (U.K.)	-
WD487001	W.D.-SNACK-3 TRAY-230V-EXEC	1
WD497000	W.D.-10 SEL.CAN MOD.-W/G&M	1
1472273	PRICE ROLL-UK-1L/10L,35P/95P	5
1472274	PRICE ROLL-UK-1L/10L,8P/35P	32
1477014	ROLL-PRICE CENTS (KB)	40
1477071	PACKAGE ASSY-PRODUCT PUSHER	
1477083	RETAINER-SPIRAL-WALL	10
1477123	PRICE ROLL-0TO25-UK/GER/FR(K)	42
1572205	ROLL-PRICE-UK-36PTO62P+FREE	10
1572206	ROLL-PRICE-UK,63P TO 90P, KB	5
1575083	COIN CHUTE & BRACKET ASSEMBL	1
1575086	INSTR.SHEET-COIN CHUTE & BRK	1
1577061	LABEL-ITEM LETTERS-A0-A9-U.K	1
1577062	LABEL-ITEM LETTERS-B0-B9-U.K	1
1577063	LABEL-ITEM LETTERS-C0-C9-U.K	1
1577064	LABEL-ITEM LETTERS-D0-D9-U.K	1
1577065	LABEL-ITEM LETTERS-E0-E9-U.K	1
1577066	LABEL-ITEM LETTERS-F0-F9-U.K	1
1670001	MAIN SNACK SET-UP GUIDE	1
1670024	SNACK/RC PROGRAMMING GUIDE	1
1672027	INSERT-INSTR-LOWER-EUROCOIN	1
2360036	BAG PACKING	3
4612001	DECAL-"CHILLED FOR FRESHNESS	1
4747091	FLAVOR STRIPS-10	1
4747097	PROD.ID LBL/FLAVR STRIP INST	1
4840053	SET UP GUIDE-CAN/COLD FD/FZN	1
5920012	BAG-PLASTIC-12 X 15	1

Expanded Refreshment Center Parts Manual

TABLE 73. BAG ASSEMBLY B4980007

PART NUMBER	DESCRIPTION	QTY.
B4980007	BAG ASSEMBLY-FOOD-1 (U.K.)	-
WD487001	W.D.-SNACK-3 TRAY-230V-EXEC	1
WD497000	W.D.-10 SEL.CAN MOD.-W/G&M	1
1472273	PRICE ROLL-UK-1L/10L,35P/95P	5
1472274	PRICE ROLL-UK-1L/10L,8P/35P	32
1477071	PACKAGE ASSY-PRODUCT PUSHER	
1477083	RETAINER-SPIRAL-WALL	10
1572205	ROLL-PRICE-UK-36PTO62P+FREE	10
1572206	ROLL-PRICE-UK,63P TO 90P, KB	5
1575083	COIN CHUTE & BRACKET ASSEMBL	1
1575086	INSTR.SHEET-COIN CHUTE & BRK	1
1577061	LABEL-ITEM LETTERS-A0-A9-U.K	1
1577062	LABEL-ITEM LETTERS-B0-B9-U.K	1
1577063	LABEL-ITEM LETTERS-C0-C9-U.K	1
1577064	LABEL-ITEM LETTERS-D0-D9-U.K	1
1577065	LABEL-ITEM LETTERS-E0-E9-U.K	1
1577066	LABEL-ITEM LETTERS-F0-F9-U.K	1
1670001	MAIN SNACK SET-UP GUIDE	1
1670024	SNACK/RC PROGRAMMING GUIDE	1
2360036	BAG PACKING	3
4612001	DECAL-"CHILLED FOR FRESHNESS	1
4840053	SET UP GUIDE-CAN/COLD FD/FZN	1
4980025	LIST-BAG ASSY B4980007-CONTE	1
5920012	BAG-PLASTIC-12 X 15	1

Expanded Refreshment Center Parts Manual

TABLE 74. BAG ASSEMBLY B7980001

PART NUMBER	DESCRIPTION	QTY.
B7980001	BAG ASSY-CAN: 5-6-7-8 (MEXICO, FRANCE, GERMANY, SWEDEN)	-
WD167002	W.D.115V SNK.-CHIL/CAN/COF/M	1
WD487001	W.D.-SNACK-3 TRAY-230V-EXEC	1
WD497000	W.D.-10 SEL.CAN MOD.-W/G&M	1
1477083	RETAINER-SPIRAL-WALL	10
1477123	PRICE ROLL-0TO25-UK/GER/FR(K	42
1577054	LABEL-ITEM LETTERS-A0-A9-GER	1
1577055	LABEL-ITEM LETTERS-B0-B9-GER	1
1577056	LABEL-ITEM LETTERS-C0-C9-GER	1
1577057	LABEL-ITEM LETTERS-D0-D9-GER	1
1577058	LABEL-ITEM LETTERS-E0-E9-GER	1
1577059	LABEL-ITEM LETTERS-F0-F9-GER	1
1670001	MAIN SNACK SET-UP GUIDE	1
1670024	SNACK/RC PROGRAMMING GUIDE	1
1679059	LIST-HARNESSES	1
2360036	BAG PACKING	3
4747091	FLAVOR STRIPS-10	1
4747097	PROD.ID LBL/FLAVR STRIP INST	1
4840053	SET UP GUIDE-CAN/COLD FD/FZN	1
5920012	BAG-PLASTIC-12 X 15	1

Expanded Refreshment Center Parts Manual

TABLE 75. BAG ASSEMBLY B4980004

PART NUMBER	DESCRIPTION	QTY.
B4980004	BAG ASSEMBLY-FOOD-6-7 (FRANCE, GERMANY)	-
WD487001	W.D.-SNACK-3 TRAY-230V-EXEC	1
WD497000	W.D.-10 SEL.CAN MOD.-W/G&M	1
1477083	RETAINER-SPIRAL-WALL	10
1477123	PRICE ROLL-0TO25-UK/GER/FR(K	42
1577054	LABEL-ITEM LETTERS-A0-A9-GER	1
1577055	LABEL-ITEM LETTERS-B0-B9-GER	1
1577056	LABEL-ITEM LETTERS-C0-C9-GER	1
1577057	LABEL-ITEM LETTERS-D0-D9-GER	1
1577058	LABEL-ITEM LETTERS-E0-E9-GER	1
1577059	LABEL-ITEM LETTERS-F0-F9-GER	1
1670001	MAIN SNACK SET-UP GUIDE	1
1670024	SNACK/RC PROGRAMMING GUIDE	1
2360036	BAG PACKING	3
4840053	SET UP GUIDE-CAN/COLD FD/FZN	1
5920012	BAG-PLASTIC-12 X 15	1

Expanded Refreshment Center Parts Manual

TABLE 76. BAG ASSEMBLY B7970005

PART NUMBER	DESCRIPTION	QTY.
B7970005	BAG ASSY-CAN: 14-17 (ARGENTINA, TAIWAN)	1
WD167002	W.D.115V SNK.-CHIL/CAN/COF/M	1
WD487001	W.D.-SNACK-3 TRAY-230V-EXEC	1
WD497000	W.D.-10 SEL.CAN MOD.-W/G&M	1
1477015	ROLL-PRICE DOLLARS KB	30
1477071	PACKAGE ASSY-PRODUCT PUSHER	
1477083	RETAINER-SPIRAL-WALL	10
1575107	TAG-PRICE-G&M-.25-1.55	1
1577047	LABEL-ITEM LETTERS-A0-A9	1
1577048	LABEL-ITEM LETTERS-B0-B9	1
1577049	LABEL-ITEM LETTERS-C0-C9	1
1670034	LABEL-SUREVEND LOGO-3.75"WID	1
1679059	LIST-HARNESSES	1
2360036	BAG PACKING	1
4747091	FLAVOR STRIPS-10	1
4747097	PROD.ID LBL/FLAVR STRIP INST	3
4870040	DOCUMENTATION PACKAGE	1
5920012	BAG-PLASTIC-12 X 15	1

Expanded Refreshment Center Parts Manual

TABLE 77. BAG ASSEMBLY B4980005

PART NUMBER	DESCRIPTION	QTY.
B4980005	BAG ASSEMBLY-FOOD-14 (ARGENTINA)	-
WD487001	W.D.-SNACK-3 TRAY-230V-EXEC	1
WD497000	W.D.-10 SEL.CAN MOD.-W/G&M	1
1477015	ROLL-PRICE DOLLARS KB	24
1477071	PACKAGE ASSY-PRODUCT PUSHER	
1477083	RETAINER-SPIRAL-WALL	10
1577047	LABEL-ITEM LETTERS-A0-A9	1
1577048	LABEL-ITEM LETTERS-B0-B9	1
1577049	LABEL-ITEM LETTERS-C0-C9	1
1670001	MAIN SNACK SET-UP GUIDE	1
1670024	SNACK/RC PROGRAMMING GUIDE	1
2360036	BAG PACKING	3
4840053	SET UP GUIDE-CAN/COLD FD/FZN	1
4980023	LIST-BAG ASSY B4980005-CONTE	1
5920012	BAG-PLASTIC-12 X 15	1

Expanded Refreshment Center Parts Manual

TABLE 78. BAG ASSEMBLY B7970003

PART NUMBER	DESCRIPTION	QTY.
B7970003	BAG ASSY-CAN: 3-4-5 (LATIN AMERICA, BRAZIL, MEXICO)	-
WD167002	W.D.115V SNK.-CHIL/CAN/COF/M	1
WD487001	W.D.-SNACK-3 TRAY-230V-EXEC	1
WD497000	W.D.-10 SEL.CAN MOD.-W/G&M	1
1477071	PACKAGE ASSY-PRODUCT PUSHER	
1477083	RETAINER-SPIRAL-WALL	10
1477123	PRICE ROLL-0TO25-UK/GER/FR(K	42
1577061	LABEL-ITEM LETTERS-A0-A9-U.K	1
1577062	LABEL-ITEM LETTERS-B0-B9-U.K	1
1577063	LABEL-ITEM LETTERS-C0-C9-U.K	1
1577064	LABEL-ITEM LETTERS-D0-D9-U.K	1
1577065	LABEL-ITEM LETTERS-E0-E9-U.K	1
1577066	LABEL-ITEM LETTERS-F0-F9-U.K	1
1670001	MAIN SNACK SET-UP GUIDE	1
1670024	SNACK/RC PROGRAMMING GUIDE	1
1670034	LABEL-SUREVEND LOGO-3.75"WID	1
1679059	LIST-HARNESSES	1
2360036	BAG PACKING	3
4747091	FLAVOR STRIPS-10	1
4747097	PROD.ID LBL/FLAVR STRIP INST	1
4840053	SET UP GUIDE-CAN/COLD FD/FZN	1
5920012	BAG-PLASTIC-12 X 15	1

Expanded Refreshment Center Parts Manual

TABLE 79. BAG ASSEMBLY B4970007

PART NUMBER	DESCRIPTION	QTY.
B4970007	BAG ASSEMBLY-FOOD-5 (MEXICO)	-
WD167002	W.D.115V SNK.-CHIL/CAN/COF/M	1
WD487001	W.D.-SNACK-3 TRAY-230V-EXEC	1
WD497000	W.D.-10 SEL.CAN MOD.-W/G&M	1
1477014	ROLL-PRICE CENTS (KB)	10
1477071	PACKAGE ASSY-PRODUCT PUSHER	
1477083	RETAINER-SPIRAL-WALL	10
1477123	PRICE ROLL-0TO25-UK/GER/FR(K	40
1577054	LABEL-ITEM LETTERS-A0-A9-GER	1
1577055	LABEL-ITEM LETTERS-B0-B9-GER	1
1577056	LABEL-ITEM LETTERS-C0-C9-GER	1
1577057	LABEL-ITEM LETTERS-D0-D9-GER	1
1577058	LABEL-ITEM LETTERS-E0-E9-GER	1
1577059	LABEL-ITEM LETTERS-F0-F9-GER	1
1670001	MAIN SNACK SET-UP GUIDE	1
1670024	SNACK/RC PROGRAMMING GUIDE	1
1679059	LIST-HARNESSES	1
2360036	BAG PACKING	3
4612001	DECAL-"CHILLED FOR FRESHNESS	1
4840053	SET UP GUIDE-CAN/COLD FD/FZN	1
5920012	BAG-PLASTIC-12 X 15	1

Expanded Refreshment Center Parts Manual

TABLE 80. BAG ASSEMBLY B4980006

PART NUMBER	DESCRIPTION	QTY.
B4980006	BAG ASSEMBLY-FOOD-4 (BRAZIL)	-
WD487001	W.D.-SNACK-3 TRAY-230V-EXEC	1
WD497000	W.D.-10 SEL.CAN MOD.-W/G&M	1
1477071	PACKAGE ASSY-PRODUCT PUSHER	
1477083	RETAINER-SPIRAL-WALL	10
1477123	PRICE ROLL-0TO25-UK/GER/FR(K	40
1577061	LABEL-ITEM LETTERS-A0-A9-U.K	1
1577062	LABEL-ITEM LETTERS-B0-B9-U.K	1
1577063	LABEL-ITEM LETTERS-C0-C9-U.K	1
1670001	MAIN SNACK SET-UP GUIDE	1
1670024	SNACK/RC PROGRAMMING GUIDE	1
2360036	BAG PACKING	3
4840053	SET UP GUIDE-CAN/COLD FD/FZN	1
4980024	LIST-BAG ASSY B4980006-CONTE	1
5920012	BAG-PLASTIC-12 X 15	1

Expanded Refreshment Center Parts Manual

TABLE 81. BAG ASSEMBLY B7970004

PART NUMBER	DESCRIPTION	QTY
B7970004	BAG ASSY-CAN: 11-12-31 (AUSTRALIA, NEW ZEALAND, CHINA)	-
WD487001	W.D.-SNACK-3 TRAY-230V-EXEC	1
WD497000	W.D.-10 SEL.CAN MOD.-W/G&M	1
1477071	PACKAGE ASSY-PRODUCT PUSHER	
1477083	RETAINER-SPIRAL-WALL	10
1477123	PRICE ROLL-0TO25-UK/GER/FR(K	42
1577047	LABEL-ITEM LETTERS-A0-A9	1
1577048	LABEL-ITEM LETTERS-B0-B9	1
1577049	LABEL-ITEM LETTERS-C0-C9	1
1670001	MAIN SNACK SET-UP GUIDE	1
1670024	SNACK/RC PROGRAMMING GUIDE	1
2360036	BAG PACKING	3
4612001	DECAL-"CHILLED FOR FRESHNESS	1
4747091	FLAVOR STRIPS-10	1
4747097	PROD.ID LBL/FLAVR STRIP INST	1
4840053	SET UP GUIDE-CAN/COLD FD/FZN	1
4977228	SPACER-PROD.LABEL-AUSTRALIA	3
5920012	BAG-PLASTIC-12 X 15	1

Expanded Refreshment Center Parts Manual

TABLE 82. BAG ASSEMBLY B4640011

PART NUMBER	DESCRIPTION	QTY.
B4640011	BAG ASSEMBLY: 27 (SOUTH AFRICA)	-
WD167003	W.D.230V SNK.-CHIL/CAN/COF/M	1
1470041	PLASTIC BAG	1
1472274	PRICE ROLL-UK-1L/10L,8P/35P	32
1477071	PACKAGE ASSY-PRODUCT PUSHER	1
1477083	RETAINER-SPIRAL-WALL	10
1477123	PRICE ROLL-0TO25-UK/GER/FR(K	32
1572205	ROLL-PRICE-UK-36PTO62P+FREE	32
1572206	ROLL-PRICE-UK,63P TO 90P, KB	32
1575083	COIN CHUTE & BRACKET ASSEMBL	1
1575086	INSTR.SHEET-COIN CHUTE & BRK	1
1577061	LABEL-ITEM LETTERS-A0-A9-U.K	1
1577062	LABEL-ITEM LETTERS-B0-B9-U.K	1
1577063	LABEL-ITEM LETTERS-C0-C9-U.K	1
1577064	LABEL-ITEM LETTERS-D0-D9-U.K	1
1577065	LABEL-ITEM LETTERS-E0-E9-U.K	1
1577066	LABEL-ITEM LETTERS-F0-F9-U.K	1
1670001	MAIN SNACK SET-UP GUIDE	1
1670024	SNACK/RC PROGRAMMING GUIDE	1
1670034	LABEL-SUREVEND LOGO-3.75"WID	1
1679057	LIST-HARNESSES	1
2360036	BAG PACKING	1
4612001	DECAL-"CHILLED FOR FRESHNESS	1

Expanded Refreshment Center Parts Manual

TABLE 83. BAG ASSEMBLY B4840001

<i>PART NUMBER</i>	<i>DESCRIPTION</i>	<i>QTY</i>
B4840001	BAG ASSEMBLY-FOOD-11-12 (AUSTRALIA, NEW ZEALAND)	-
WD167003	W.D.230V SNK.-CHIL/CAN/COF/M	1
WD484012	W.D.-COLD/FROZEN MODULE	1
1477015	ROLL-PRICE DOLLARS KB	12
1477083	RETAINER-SPIRAL-WALL	10
1575107	TAG-PRICE-G&M-.25-1.55	1
1577047	LABEL-ITEM LETTERS-A0-A9	1
1577048	LABEL-ITEM LETTERS-B0-B9	1
1577049	LABEL-ITEM LETTERS-C0-C9	1
1577050	LABEL-ITEM LETTERS-D0-D9	1
1577051	LABEL-ITEM LETTERS-E0-E9 KB	1
1577052	LABEL-ITEM LETTERS-F0-F9 KB	1
1670001	MAIN SNACK SET-UP GUIDE	1
1670024	SNACK/RC PROGRAMMING GUIDE	1
1679057	LIST-HARNESSES	1
2360036	BAG PACKING	3
3158008	ELBOW W/TAPE ASSEMBLY	1
4840042	LIST-BAG ASSY B4840001-CONTE	1
4840053	SET UP GUIDE-CAN/COLD FD/FZN	1
5920012	BAG-PLASTIC-12 X 15	1

Expanded Refreshment Center Parts Manual

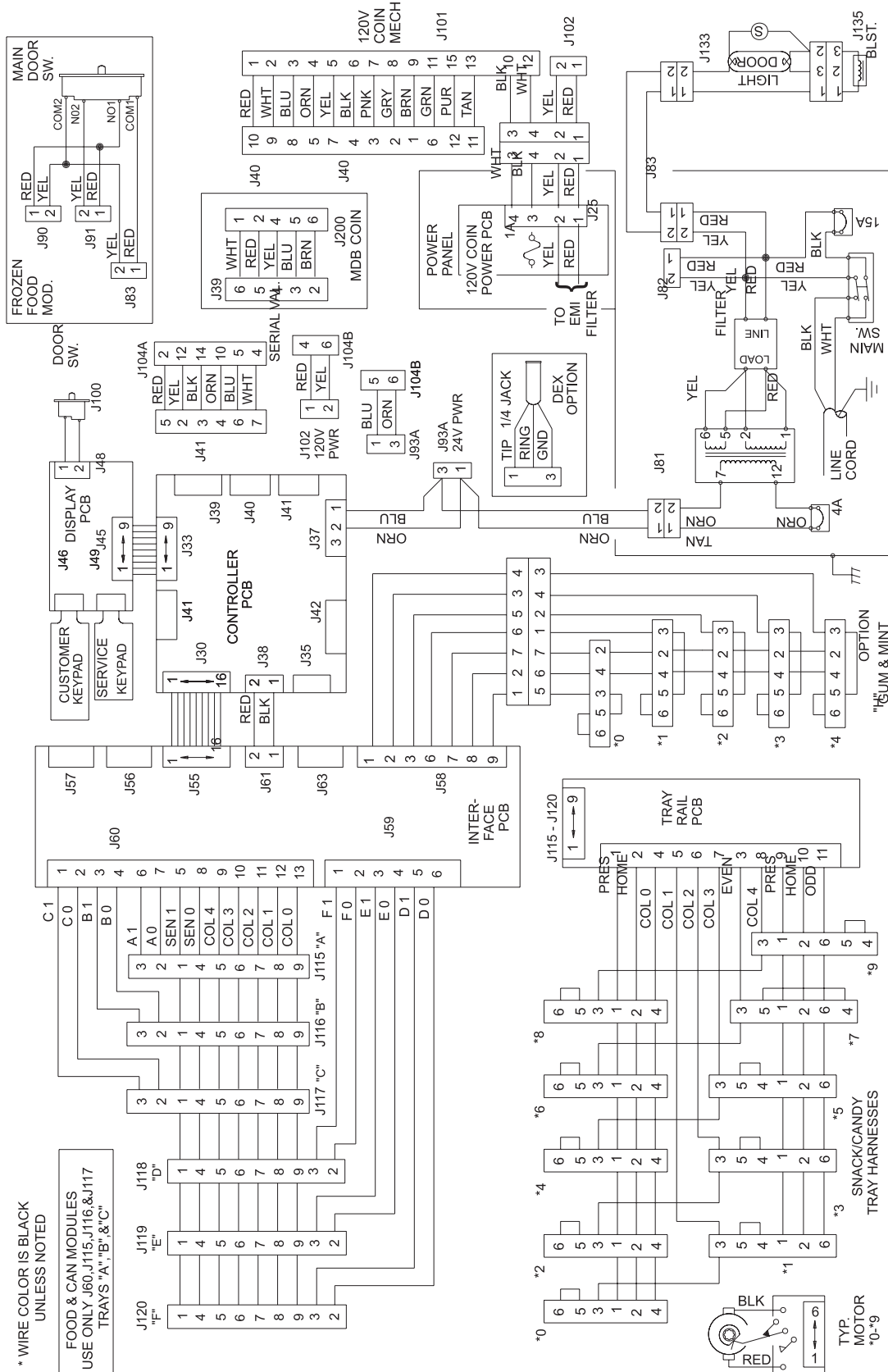


Figure 72. Wiring Diagram (Part 1)

Expanded Refreshment Center Parts Manual

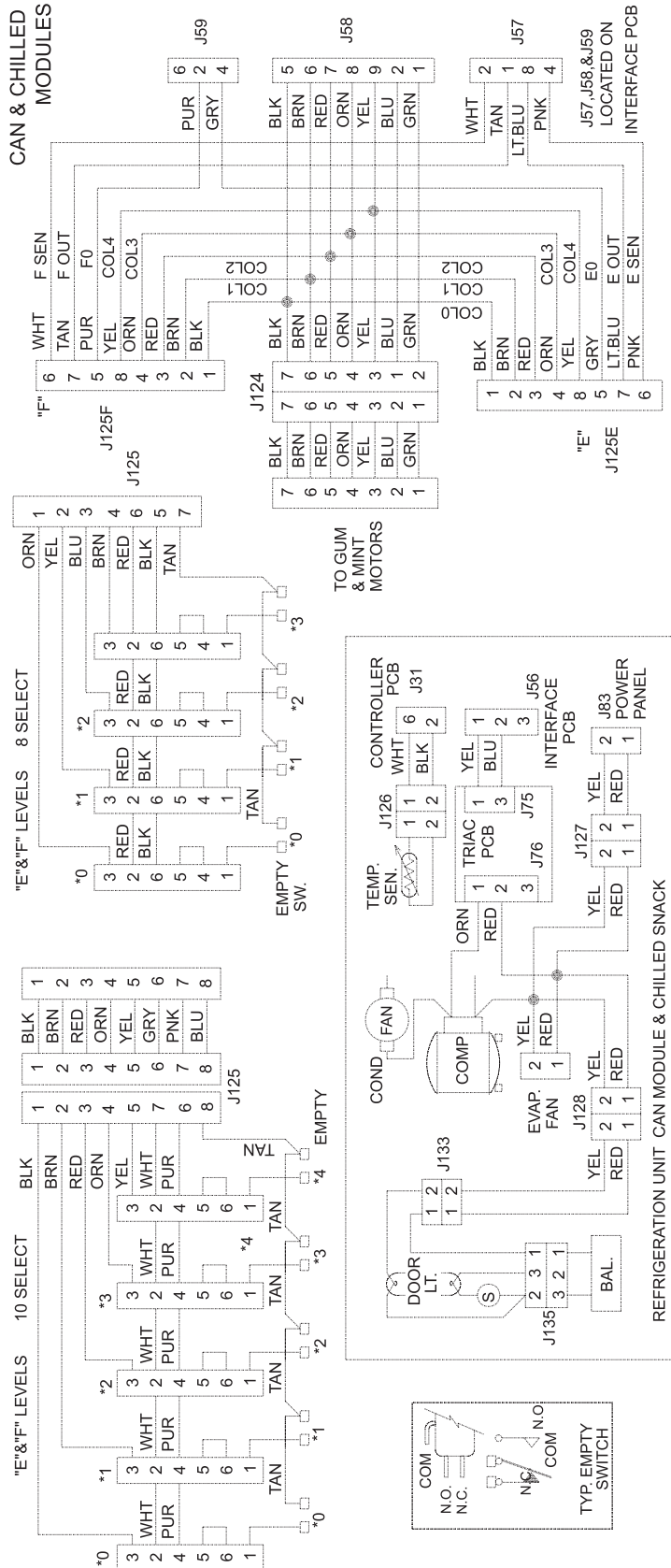


Figure 73. Wiring Diagram (Part 2)

Expanded Refreshment Center Parts Manual

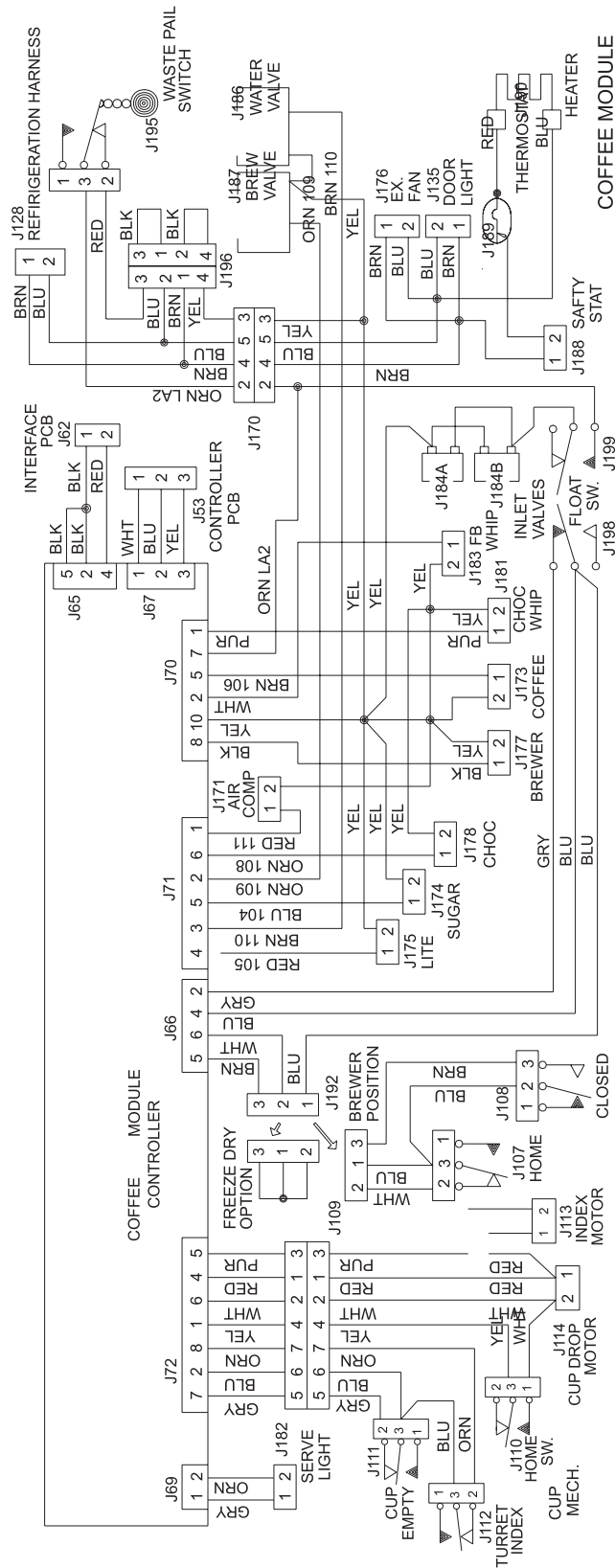


Figure 74. Wiring Diagram (Part 3)

Expanded Refreshment Center Parts Manual

TABLE 74. WIRE HARNESESSES

CONNECTOR	DESCRIPTION	PART NUMBER
J23A	HARNESS JAPAN	1579048
J23B	HARNESS JAPAN	1579048
J27	HARNESS EXEC	1679050
J30	CABLE RIBBON	1579008
J33	HARNESS DISPLAY TO CNTRL	1599200
J34	HARNESS SUREVEND	1679012
J35	HARNESS POWER	4859002
J36	HARNESS IR DATA / DEX	1679056 / 1689054
J37	24VAC	9989750
J38	24VDC	9989750
J39	HARNESS MDB	9989706
J40	HARNESS DUMB MECH	1671011
J41	SERIAL VAL	1679053
J42	HARNESS - MARS PULSE	1679052
J45	HARNESS DISPLY TO CNTRL	1599200
J46	CUSTOMER KEY PAD	7215019
J47	FREE VEND KEYSWITCH	9989639
J48	JUMPER DOOR SWITCH	1579009
J49	SERVICE KEYPAD	1575046
J50	HARNESS IR DATA	1689094
J55	CABLE RIBBON	1579008
J57	JUMPER - CAN/ G&M	4974023
J58	JUMPER - CAN/ G&M	4974023
J59	HARNESS CHANNEL 6 TRAY	1599009
J60	HARNESS CHANNEL 6 TRAY	1599009
J61	HARNESS PCB & COIN	9989750
J63	NOT USED	----
J65	HARNESS POWER	4859002
J66	HARNESS BREWER	4859003
J67	HARNESS POWER	4859002
J69	HARNESS COFFEE	4859000
J70	HARNESS COFFEE	4859000
J71	HARNESS COFFEE	4859000
J72	JUMPER MOD TO BREWER	4859005
J76	HARNESS PWR TO COFFEE	4751082
J81	HARNESS 24V PCB	9989750
J82	JUMPER POWER TO EX. FAN	1579021

Expanded Refreshment Center Parts Manual

TABLE 74. WIRE HARNESES (CONTINUED)

CONNECTOR	DESCRIPTION	PART NUMBER
J83	JUMPER, POWER TO DOOR LT	1579022
J87	HARNESS 120 COIN ADAPTER	1679002
J90	JUMPER INTERLOCK	1579010
J91	JUMPER INTERLOCK	1579010
J93A	HARNESS - PCB & COIN	9989750
J94	HARNESS POWER PANEL	1709001
J97	JUMPER GFI & FILTER	1579051
J100	JUMPER DOOR SWITCH	1579009 / RC3 4751082
J102	HARNESS - SERIAL VAL	1679053
J105	HARNESS - MARS PULSE	1679052
J107	HARNESS BREWER	4731096
J108	HARNESS BREWER	4731096
J109	HARNESS CUP MECH	4733039
J110	HARNESS CUP MECH	4733039
J111	HARNESS CUP MECH	4733039
J112	HARNESS CUP MECH	4733039
J113	HARNESS CUP MECH	4733039
J114	HARNESS CUP MECH	4733039
J121	JUMPER GUM & MINT	1579024
J124	JUMPER - CAN/ G&M	4974023
J125	HARNESS CAN EJECTOR 5 CAN	4977050
J125	HARNESS CAN EJECTOR 4 CAN	4849028
J125E	JUMPER - CAN/ G&M	4974023
J125F	JUMPER - CAN/ G&M	4974023
J125H	JUMPER - CAN/ G&M	4974023
J126	JUMPER TEMP, CAN	4979005
J127	JUMPER PWR TO COMP	4849002
J128	JUMPER 120V	1579052 / CAN 4849025
J133	HARNESS LIGHT & FILTER	1679006
J135	HARNESS SIDE PANEL	4849015
J151	HARNESS - EXEC LONG	1679050
J153	HARNESS EVAP FAN	4982002
J170	HARNESS COFFEE	4859000
J171	HARNESS COFFEE	4859000
J173	HARNESS COFFEE	4859000
J174	HARNESS COFFEE	4859000

Expanded Refreshment Center Parts Manual

TABLE 74. WIRE HARNESES (CONTINUED)

CONNECTOR	DESCRIPTION	PART NUMBER
J175	HARNESS COFFEE	4859000
J176	HARNESS COFFEE	4859000
J177	HARNESS COFFEE	4859000
J178	HARNESS COFFEE	4859005
J181	HARNESS COFFEE	4859000
J182	INDICATOR	4852084
J183	HARNESS COFFEE	4859000
J184A	HARNESS COFFEE	4859000
J184B	HARNESS COFFEE	4859000
J186	HARNESS COFFEE	4859000
J187	HARNESS COFFEE	4859000
J188	HARNESS COFFEE	4859000
J189	HARNESS COFFEE	4859000
J190	HARNESS COFFEE	4859000
J192	HARNESS BREWER	4859003
J195	HARNESS PWR TO COFFEE	4859005
J196	HARNESS COFFEE MOD	4859005
J199	HARNESS COFFEE	4859000
J200	HARNESS MUG SWITCH	4751184
J201A	JUMPER BOOST TRANSFORMER	1579052
J201B	JUMPER BOOST TRANSFORMER	1579052
J228A	JUMPER JAPAN	1579048
J228B	JUMPER JAPAN	1579048
J231	HARNESS SUREVEND EMIT TO DET	1679013
J232	HARNESS SUREVEND EMIT TO DET	1679013

Expanded Refreshment Center Parts Manual

<p>Symbols</p> <p>14111091 65</p> <p>Numerics</p> <p>1 67</p> <p>1127808 53, 87</p> <p>1172190 45</p> <p>1172191 45</p> <p>1211112 67</p> <p>1211141 63</p> <p>1217159 117, 135</p> <p>1217160 117</p> <p>1302289 45</p> <p>1302290 45</p> <p>1302291 45</p> <p>1302324 45</p> <p>1302326 45</p> <p>1401110 85</p> <p>1412046 127</p> <p>1451097 127, 135</p> <p>1451124 155</p> <p>1452139 135</p> <p>1452312 127</p> <p>1457027 117</p> <p>1457061 107</p> <p>1457062 107</p> <p>1457063 107</p> <p>1457064 107</p> <p>1457065 107</p> <p>1457099 117</p> <p>1467127 105</p> <p>1467128 105</p> <p>1467129 105</p> <p>1467130 105</p> <p>1467131 105</p> <p>1467136 105</p> <p>1467137 105, 107</p> <p>1471098 67</p> <p>1471237 67</p> <p>1472048 37</p> <p>1472222 7</p> <p>1472223 85</p> <p>1472251 89</p> <p>1472454 113</p> <p>1475026 87</p> <p>1475053 95</p> <p>1475072 87</p> <p>1475089 89</p>	<p>1475099 87</p> <p>1475107 95</p> <p>1475119 155</p> <p>1477014 97, 101, 105, 113</p> <p>1477015 113</p> <p>1477017 97, 101, 105</p> <p>1477020 99</p> <p>1477022 99</p> <p>1477023 107</p> <p>1477024 107</p> <p>1477026 107</p> <p>1477027 107</p> <p>1477029 107</p> <p>1477030 107</p> <p>1477032 107</p> <p>1477033 107</p> <p>1477035 107</p> <p>1477038 107</p> <p>1477039 107</p> <p>1477041 107</p> <p>1477042 107</p> <p>1477044 107</p> <p>1477045 107</p> <p>1477047 107</p> <p>1477048 107</p> <p>1477050 107</p> <p>1477051 107</p> <p>1477053 107</p> <p>1477054 107</p> <p>1477056 107</p> <p>1477057 107</p> <p>1477059 107</p> <p>1477060 107</p> <p>1477062 107</p> <p>1477063 107</p> <p>1477073 107</p> <p>1477097 97, 101, 105</p> <p>1477098 107</p> <p>1477099 107</p> <p>1477100 107</p> <p>1477101 107</p> <p>1477102 107</p> <p>1477103 107</p> <p>1477104 107</p> <p>1477105 107</p> <p>1477106 107</p> <p>1477107 107</p>
---	--

Expanded Refreshment Center Parts Manual

1477113	99, 103, 107	1571035	69
1477114	107	1571040	69
1477134	97, 101, 105	1571079	87
1477141	101	1571112	63
1477148	97, 101, 105	1571115	67
1477149	107	1571127	67
1477150	107	1572013	85
1477152	107	1572014	87
1477153	107	1572015	87
1477155	107	1572020	37
1477156	107	1572186	47
1477157	97, 101, 105	1572187	47
1477175	97, 101, 105	1572188	47
1477178	107	1572209	7
1477179	107	1572210	7
1479052	55	1572213	7
1479053	57	1572243	37
1479064	57	1572323	7
1479075	57	1575001	89
1479076	57	1575003	87
1479077	57	1575010	89
1479078	57	1575013	87
1479079	57	1575020	87
1479080	57	1575043	89
1479081	55	1575048	87, 93
1479082	55	1575049	87
1479083	55	1575050	95
1479084	55	1575091	89
1479089	57	1575094	85
1479092	57	1575098	85, 89
1479095	57	1575099	85, 89
1479097	57	1576008	63
1479098	57	1577000	55
1479099	57	1577013	113
1479101	55	1577014	113
1479103	55	1577035	99, 103, 107, 117
1479104	55	1577040	97, 101, 105
1479105	55	1577061	18
1479106	57	1577062	18
1479117	57	1577063	18
1479119	55	1577064	18
1479120	57, 127	1577065	18
1479125	55	1577066	18
1479136	57	1579003	155
1479139	57	1579005	95, 156
1489005	59	1579006	95, 156
1489008	57	1579008	156

Expanded Refreshment Center Parts Manual

1579009 156	3122056 57
1579010 157	3127034 135
1579012 57, 157	3502097 99, 107
1579013 69, 158	3502907 103
1579017 69, 158	3608149 154
1579021 159	3618157 154
1579028 95, 159	4047056 113
1579032 95, 160	4119013 154
1579034 95, 160	4246307 57
1579050 95, 160	4279001 165
1582005 161	4304092 154
1582084 36	4407077 135
1582093 36	4407079 135
1582095 36	4407080 135
1582141 36	4407084 135
1582201 36	4407093 135
1587000 55	4407101 127
1597001 97	4407103 127
1597002 101	4407131 135
1597003 105	4407157 135
1599010 161	4407616 149
1599012 99	4407712 149
1599013 103, 107	4644007 154
1599017 161	4646004 154
1599019 159, 162	4721035 113
1600851 94	4724124 154
1602026 36	4744044 154
1672027 87	4744106 154
1677171 57	4744108 154
1679056 159	4744109 154
1709000 163	4744112 154
1709001 164	4744573 154
1709002 165	4747031 117
1709006 165	4747036 117
2204092 117	4747062 111
2222031 47, 97, 101, 105	4747715 111
2226380 113	4747718 121
2228011 135	4774027 154
2272052 45	4774087 154
2302053 7	4774089 154
2304109 135	4774122 154
2306488 135	4841012 69
2366091 117	4844000 154
2366135 63	4844001 154
3103029 149	4844014 154
3112163 45	4844015 154
3112164 45	4844024 154

Expanded Refreshment Center Parts Manual

4846005	154	4976044	113
4849002	165	4976045	113
4849003	165	4976046	113
4849008	166	4976048	113
4849016	166	4976050	121
4849020	166	4976055	121
4849022	167	4976058	121
4849023	168	4976066	127
4849025	169	4976067	127
4849027	169	4976069	127
4874002	154	4976070	121
4875001	85	4976072	127
4972101	37	4976081	127
4972107	37	4976105	145
4974000	109, 154	4977000	109
4974007	109	4977030	115
4974009	109	4977031	115
4974012	109	4977032	115
4974015	109	4977033	117
4974016	109	4977034	117
4974019	109	4977035	117
4974022	109, 154	4977036	111
4974023	170	4977038	117
4974025	154	4977039	117
4974037	154	4977040	115
4974040	154	4977041	117
4974045	154	4977048	115
4974050	154	4977049	115
4974052	170	4977050	171
4975056	115	4977052	111
4976000	111	4977053	111
4976001	111	4977054	111
4976002	111	4977056	117
4976014	113	4977057	171
4976015	113	4977059	111
4976024	113	4977060	121
4976025	113	4977065	111
4976028	113	4977310	149
4976029	113	4977312	149
4976030	113	4977315	149
4976031	113	4977316	149
4976032	113	4977322	149
4976037	113	4977323	149
4976038	113	4977325	149
4976039	113	4977334	149
4976040	113	4977335	149
4976042	111	4977347	149

Expanded Refreshment Center Parts Manual

4979000 172	5900244 94
4979001 172	5900245 95
4979002 162	5900247 95
4979003 149, 173	5900248 95
4979004 173	6133152 55
4979005 174	6231034 67
4979006 149, 174	6231163 67
4979007 175	6231189 109
4979008 176	6231203 67
4979009 177	6231216 109
4984015 154	6231229 109
4984016 154	6232290 109
4984022 154	6335002 87
4984023 154	6339006 177
4984024 154	6339017 177
4984047 154	6400002 94
4984048 154	6400003 94
4987000 109	9900023 135
5201086 135	9900030 97, 101, 105
5201267 97, 101, 105	9900081 47, 53, 93
5220113 121	9900098 53, 135
5305318 117	9900118 127
5307321 94	9900166 127
5560113 97, 101, 105	9900206 117
5900094 94	9900218 67
5900096 94	9900425 57, 121
5900112 94	9984094 178
5900116 94	9984165 69, 178
5900182 95	9984625 89
5900192 94	9984629 69
5900193 95	9985043 178
5900198 95	9989042 69
5900205 95	9989100 69
5900209 94	9989117 178
5900210 95	9989336 69
5900213 94	9989560 179
5900214 94	9989576 179
5900216 94	9989577 179
5900217 94	9989639 85
5900221 95	9989659 69
5900222 94	9989672 69
5900233 95	9989685 87
5900234 95	9989687 63
5900237 94	9989706 179
5900240 94	9989712 180
5900242 94, 95	9989718 95, 180
5900243 94	9989750 180

Expanded Refreshment Center Parts Manual

9992400	45
B	
B4640011	21
b4970000	14
b4970003	18
b4970005	20
b4970006	14
b4970007	18
b4970008	21
b4980000	16
b4980001	15
b4980002	19
b4980003	17
b4980004	16
b4980005	17
b4980006	19
b4980007	15
N	
nb4970001	20