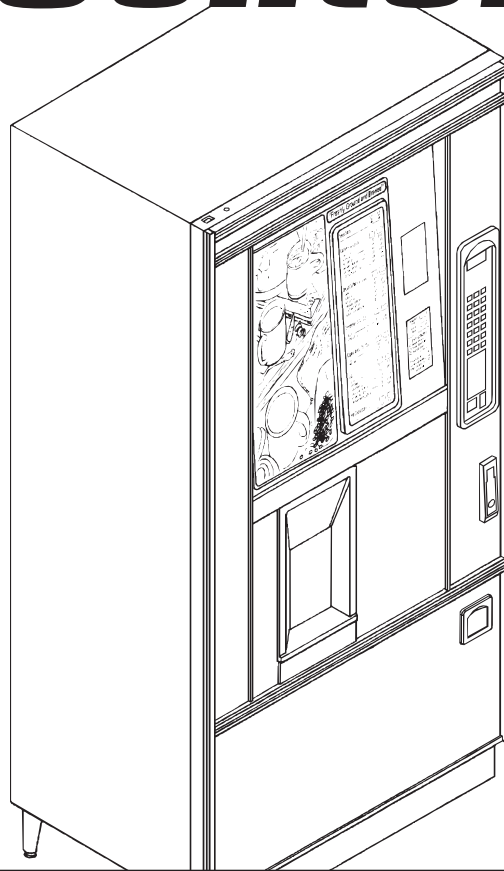


6530004

Model 653, 655, 657

Hot Drink Center



PARTS MANUAL

Hot Drink Center Parts Manual

List of Figures

Figure	Title	Page
1.	Hot Drink Center Merchandiser	1
2.	Trim Components	2
3.	Trim - Millennium Style (Part 1 of 3)	6
4.	Trim - Millennium Style (Part 2 of 3)	8
5.	Trim - Millennium Style (Part 3 of 3) - Monetary and Button Assembly	10
6.	Trim - Nestlé Full P.O.P.	12
7.	Door Assembly (Part 1 of 2)	14
8.	Door Assembly (Part 2 of 2)	15
9.	Miscellaneous Mounted Parts - Door Assembly	16
10.	Nestlé Style - Full P.O.P. - Door Assembly - Interior	18
11.	Coin Receptacle Assemblies	20
12.	Door Lock Assembly	22
13.	Door Lock and Handle Assembly - Standard Trim and Nestlé Full POP Style	24
14.	Millennia Door Lock and Handle Assembly	26
15.	Automatic Delivery Door	28
16.	Fluorescent Lamp Assembly and Ballast (Standard and Millennium Styles)	30
17.	Display Assembly - Part 1 of 2 (Standard and Millennium Style)	32
18.	Display Assembly - Part 2 of 2	34
19.	Door Hinge Assemblies	36
20.	Mech and Canister Assembly - 11 Column	38
21.	Turret and Canister Assembly - 4 Column	40
22.	Turret and Canister Assembly - 7 Column	42
23.	Mechanism Assembly	44
24.	Cup Ring Assembly	46
25.	Actuator Assembly - Cup Ring	47
26.	Mounting Bracket Assembly - Right	48
27.	Cabinet Assembly - Outer Layer	50
28.	Cabinet Assembly - Inner Layer	52
29.	Cabinet Assembly - Miscellaneous Mounted Parts	54
30.	Leg, Leveler, and Leg and Hinge Assemblies	56
31.	Cup Delivery Assembly	58
32.	Cup Station Support, Overflow Switch, and Cup Sensor	60
33.	Overflow Switch Assembly	62
34.	Filter Paper Housing and Cover	64
35.	Service Light/Bracket Assembly - U.S.	66
36.	Air Compressor Assembly - U.S.	68
37.	Monetary Panel Assembly (Part 1 of 3)	70
38.	Monetary Panel Assembly (Part 2 of 3)	72
39.	Monetary Panel Assembly (Part 3 of 3)	74
40.	Monetary Inserts	76
41.	Card Reader and Bill Validator Options	78
42.	Monetary Channel	82
43.	Power Panel Assembly (Brazil/U.S.)	84
44.	Single Brewer Assembly (No Filter)	86
45.	Single Brewer Assembly (With Filter)	88
46.	Dual Brewer Assembly (No Filter)	90
47.	Dual Brewer Assembly (With Filter)	92
48.	Barrel Assembly - Single Brewer	94
49.	Barrel Assembly - Dual Brewer	96

Hot Drink Center Parts Manual

Figure	Title	Page
50.	Rack Assembly - Single Brewer	98
51.	Rack Assembly - Dual Brewer	99
52.	Paper Mechanism Assembly - Single Brewer	100
53.	Paper Mechanism Assembly - Dual Brewer	102
54.	Brewer Drive Assembly	104
55.	Brewer Exhaust Filter Locator and Bracket Assembly	106
56.	Mixing Bowl Ventilation Assembly	108
57.	Rear Vent Assemblies	110
58.	Bracket, Blower, and Cover Assembly	112
59.	Vent Assembly - Front	114
60.	Water Supply - With Everpure Water Filter Option	116
61.	Water Supply - With Cuno Water Filter Option	118
62.	Water Supply - With Hydrolife Option	120
63.	Water Supply - Without Water Filter Option	122
64.	Hot Water Tank Assembly	124
65.	Water Tank Lid Assembly	126
66.	Bean Window Assemblies	128
67.	Dual Bean Window Assembly	130
68.	Single Bean Window Assembly - U.S.	132
69.	Canister Usage	134
70.	Canister Assembly 6237447	136
71.	Canister Assembly 6237448	138
72.	Canister Assembly 6237446	140
73.	Canister Assembly 6237445	142
74.	Canister Assembly 6337022	144
75.	Canister Assembly 6237422	146
76.	Canister Assembly 6237449	148
77.	Canister Assembly 6237450	150
78.	Grinder and Bracket Assembly - Bean	152
79.	Grinder Assembly - Bean	154
80.	Canister Support Channel Assembly	156
81.	Regulator Assembly	158
82.	Mixing Bowl and Whipper Positions	160
83.	Mixing Bowl and Whipper Assemblies	162
84.	Canister Motor and Plate Assemblies	164
85.	Product and Condiment Chutes (Part 1 of 2)	167
86.	Product and Condiment Chutes (Part 2 of 2)	168
87.	Wiring Harnesses	170
89.	Liquid Distribution and Drain System (Part 1 of 2)	174
90.	Liquid Distribution and Drain System (Part 2 of 2)	176
91.	Base Plate Accessory - Standard Style	178
92.	Base Plate Accessory - Millennia Style	179
93.	Ingredient Drain Tray Accessory	180
94.	Door Lock Guard Accessory	182

Hot Drink Center Parts Manual

List of Tables

Table	Title	Page
1.	Hot Drink Center Merchandiser	1
2.	Trim Components	3
2A.	Top Trim Panel (Index Number 5)	3
2B.	Right Hand Trim Panel (Index Number 11)	3
2C.	Right Center Trim Panel (Index Number 12)	4
2D.	Bottom Trim Panel (Index Number 15)	4
2E.	Left Center Trim Panel (Index Number 19)	4
2F.	Left Hand Trim Panel (Index Number 20)	5
3.	Trim - Millennium Style (Part 1 of 3)	7
4.	Trim - Millennium Style (Part 2 of 3)	9
5.	Trim - Millennium Style (Part 3 of 3) - Monetary and Button Assembly	11
6.	Trim - Nestlé Full P.O.P.	13
7.	Door Assembly (Part 1 of 2)	14
8.	Door Assembly (Part 2 of 2)	15
9.	Miscellaneous Mounted Parts - Door Assembly	17
10.	Nestlé Style - Full P.O.P. - Door Assembly - Interior	19
11.	Coin Receptacle Assemblies	21
12.	Door Lock Assembly	23
13.	Door Lock and Handle Assembly - Standard Trim and Nestlé Full POP Style	25
14.	Millennia Door Lock and Handle Assembly	27
15.	Automatic Delivery Door	29
16.	Fluorescent Lamp Assembly and Ballast (Standard and Millennium Styles)	31
17.	Display Assembly - Part 1 of 2 (Standard and Millennium Style)	33
18.	Display Assembly - Part 2 of 2	35
19.	Door Hinge Assemblies	37
20.	Mech and Canister Assembly - 11 Column	39
21.	Turret and Canister Assembly - 4 Column	41
22.	Turret and Canister Assembly - 7 Column	43
23.	Mechanism Assembly	45
24.	Cup Ring Assembly	46
25.	Actuator Assembly - Cup Ring	47
26.	Mounting Bracket Assembly - Right	49
27.	Cabinet Assembly - Outer Layer	51
28.	Cabinet Assembly - Inner Layer	53
29.	Cabinet Assembly - Miscellaneous Mounted Parts	55
30.	Leg, Leveler, and Leg and Hinge Assemblies	57
31.	Cup Delivery Assembly	59
32.	Cup Station Support, Overflow Switch, and Cup Sensor	61
33.	Overflow Switch Assembly	63
34.	Filter Paper Housing and Cover	65
35.	Service Light/Bracket Assembly - U.S.	67
36.	Air Compressor Assembly - U.S.	69
37.	Monetary Panel Assembly (Part 1 of 3)	71
38.	Monetary Panel Assembly (Part 2 of 3)	73
39.	Monetary Panel Assembly (Part 3 of 3)	75
41.	Card Reader and Bill Validator Options	79
41A.	Monetary Location Options	79
41B.	Coin Mech Options - "Dumb"	80
41C.	Coin Mech Options - "MDB"	80

Hot Drink Center Parts Manual

Table	Title	Page
41D.	Bill Validator Options - "Serial"	80
41E.	Bill Validator Options - "Pulse"	80
41F.	Bill Validator Options - "MDB"	81
41G.	Card Readers	81
42.	Monetary Channel.....	83
43.	Power Panel Assembly (Brazil/U.S.).....	85
44.	Single Brewer Assembly (No Filter)	87
45.	Single Brewer Assembly (With Filter)	89
46.	Dual Brewer Assembly (No Filter).....	91
47.	Dual Brewer Assembly (With Filter).....	93
48.	Barrel Assembly - Single Brewer	95
49.	Barrel Assembly - Dual Brewer.....	97
50.	Rack Assembly - Single Brewer.....	98
51.	Rack Assembly - Dual Brewer	99
52.	Paper Mechanism Assembly - Single Brewer	101
53.	Paper Mechanism Assembly - Dual Brewer	103
54.	Brewer Drive Assembly.....	105
55.	Brewer Exhaust Filter Locator and Bracket Assembly	107
56.	Mixing Bowl Ventilation Assembly	109
57.	Rear Vent Assemblies.....	111
58.	Bracket, Blower, and Cover Assembly.....	113
59.	Vent Assembly - Front.....	115
60.	Water Supply - With Everpure Water Filter Option.....	117
61.	Water Supply - With Cuno Water Filter Option.....	119
62.	Water Supply - With Hydrolife Option	121
63.	Water Supply - Without Water Filter Option	123
64.	Hot Water Tank Assembly	125
65.	Water Tank Lid Assembly	127
66.	Bean Window Assemblies	129
67.	Dual Bean Window Assembly.....	131
68.	Single Bean Window Assembly - U.S.....	133
69.	Canister Usage	135
70.	Canister Assembly 6237447	137
71.	Canister Assembly 6237448	139
72.	Canister Assembly 6237446	141
73.	Canister Assembly 6237445	143
74.	Canister Assembly 6337022	145
75.	Canister Assembly 6237422	147
76.	Canister Assembly 6237449	149
77.	Canister Assembly 6237450	151
78.	Grinder and Bracket Assembly - Bean	153
79.	Grinder Assembly - Bean	155
80.	Canister Support Channel Assembly	157
81.	Regulator Assembly.....	159
82.	Mixing Bowl and Whipper Positions.....	161
83.	Mixing Bowl and Whipper Assemblies.....	163
84.	Canister Motor and Plate Assemblies.....	165
84A.	Motor Position Usage	166
86.	Product Delivery Chute Assembly Usage	169
86A.	Delivery Chute 6237287 Parts	169
86B.	Delivery Chute 6237292 Parts	169
87.	Wiring Harnesses	171
88.	Usage Key For Bulk Tubing	173

Hot Drink Center Parts Manual

Table	Title	Page
89.	Liquid Distribution and Drain System (Part 1 of 2)	175
90.	Liquid Distribution and Drain System (Part 2 of 2)	177
90A.	Bulk Tubing for Interconnecting Water Valves, Mixing Bowls, and Dispensing Spouts.....	178
91.	Base Plate Accessory - Standard Style	179
92.	Base Plate Accessory - Millennia Style.....	180
93.	Ingredient Drain Tray Accessory.....	182
94.	Door Lock Guard Accessory	183
95.	Money Box lock accessory	184
96.	Bag Assembly B6550000 - Nestlé.....	185
97.	Bag Assembly B6550001	186

TABLE 1. HOT DRINK CENTER MERCHANDISER

INDEX	PART NUMBER	DESCRIPTION	QTY
1	-	CABINET ASSEMBLY (SEE FIGURES 27, 28, 29)	-
2	-	DOOR ASSEMBLY (SEE FIGURES 7, 8)	-
3	-	BASE PLATE ASSEMBLY (SEE FIGURES 91, 92)	OPT.

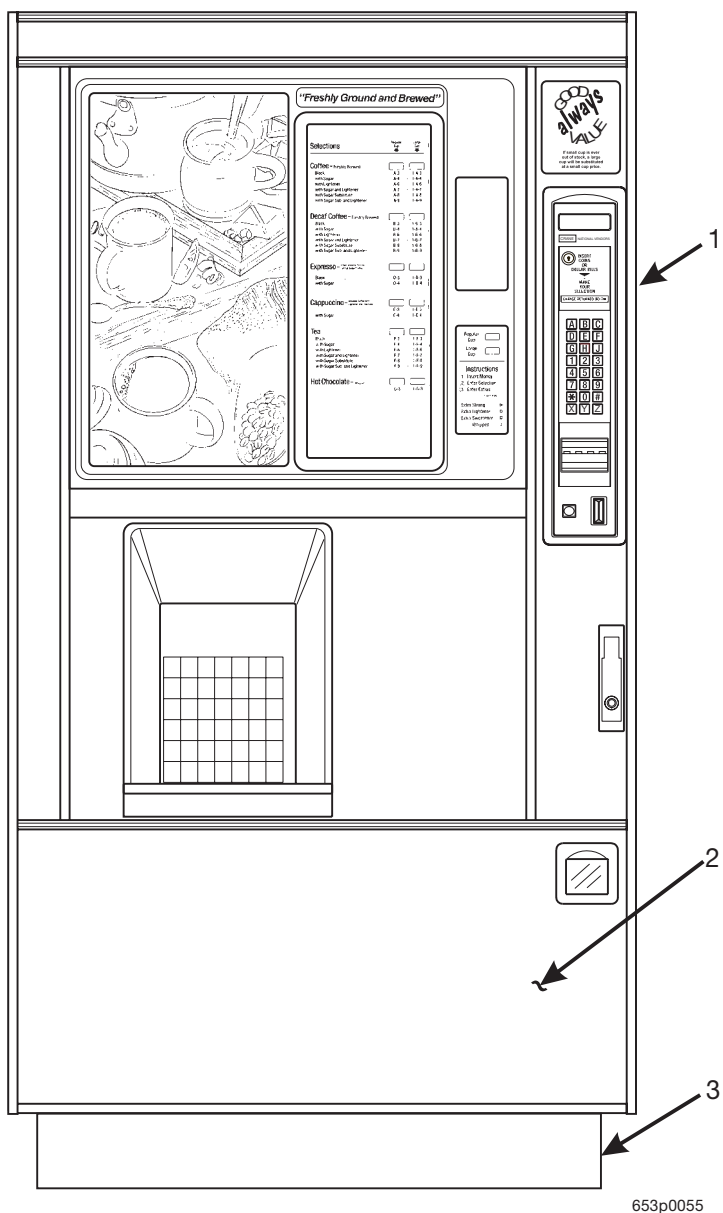


Figure 1. Hot Drink Center Merchandiser

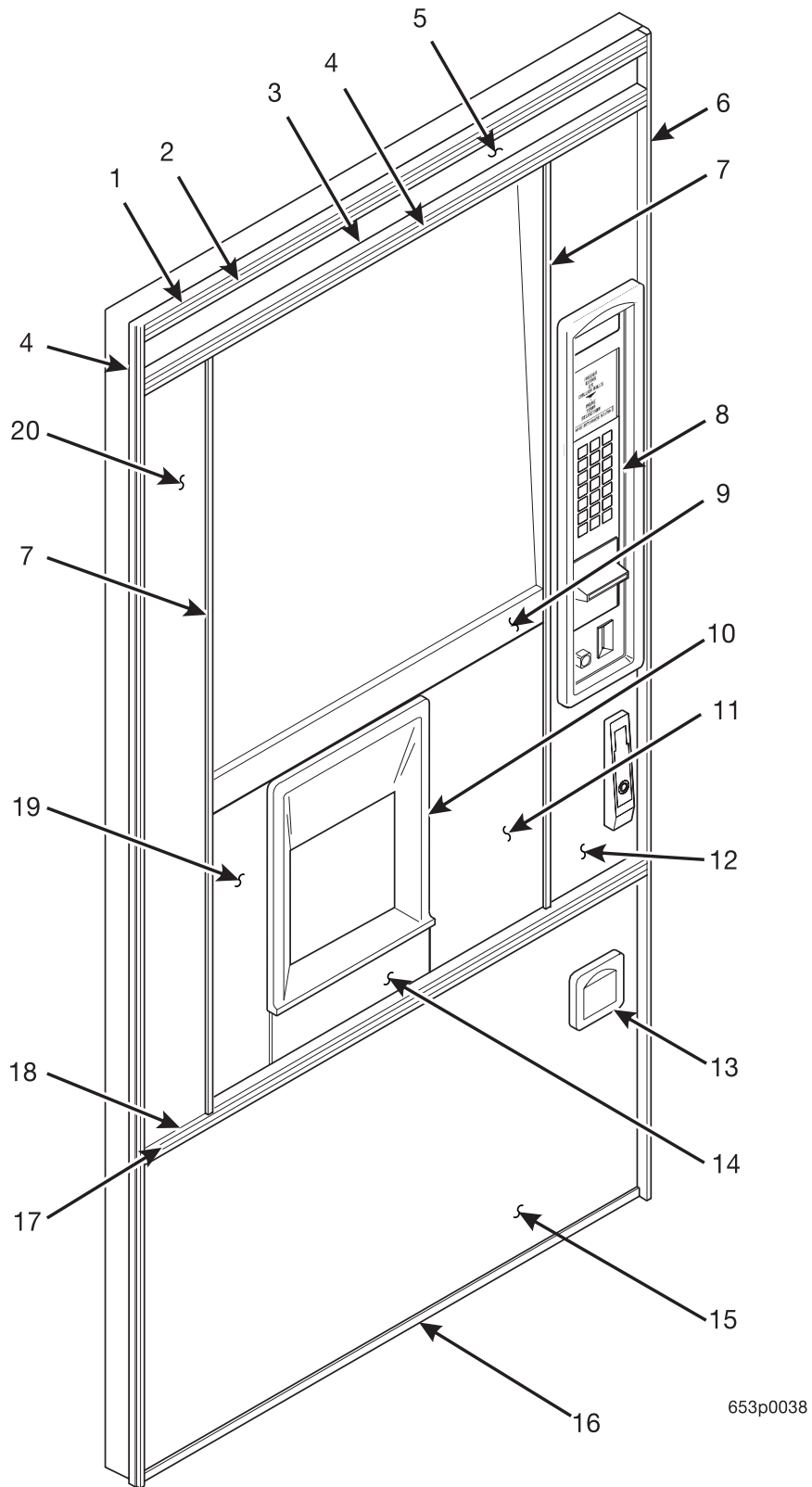


Figure 2. Trim Components

TABLE 2. TRIM COMPONENTS

INDEX	PART NUMBER	DESCRIPTION	QTY
1	1452229	TRIM-DOOR-TOP & BOTTOM-BLACK	1
	1302484	TRIM - DOOR - TOP & BOT - CLEAR	
2	1302479	TRIM INSERT-BLACK	1
3	1302478	TRIM-DOOR-HORIZ-CLEAR	1
4	1302479	TRIM INSERT-BLACK	1
5	-	PANEL - TOP TRIM (SEE TABLE 2A)	1
6	1452203	TRIM DOOR-SIDE-BLACK-IBM	2
	1302409	TRIM-DOOR-SIDE (CLEAR)	
7	3152560	TRIM - VERTICAL	2
8	1575047	CASTING - MONETARY FRAME - BLACK	1
-	1472132	SCREW #6-32 X 1/4 PHS, T/C, PHILLIPS	10
9	6232186	TRIM - HORIZONTAL - GLASS	1
10	3152045	FRAME - CUP DELIVERY DOOR	1
11	-	TRIM PANEL - CENTER - RIGHT (SEE TABLE 2B)	1
12	-	TRIM PANEL - RIGHT HAND (SEE TABLE 2C)	1
13	1572011	TRIM - COIN CUP - BLACK	1
14	6232012	TRIM - FILLER	1
15	-	TRIM PANEL - BOTTOM (SEE TABLE 2D)	1
16	6232099	EDGE PROTECTOR	1
17	1302479	TRIM INSERT-BLACK	1
	1302478	TRIM-DOOR-HORIZ-CLEAR	
18	1302478	TRIM-DOOR-HORIZ-CLEAR	1
19	-	TRIM PANEL - CENTER - LEFT (SEE TABLE 2E)	1
20	-	TRIM PANEL - LEFT HAND (SEE TABLE 2F)	1
-	2222110	T-BOLT - TRIM - 3/8" (NOT SHOWN)	4
-	3102162	T-BOLT - TRIM - 1/2" (NOT SHOWN)	7

TABLE 2A. TOP TRIM PANEL (INDEX NUMBER 5)

PART NUMBER	DESCRIPTION
1452062	PRESIDENTIAL WALNUT
1452117	SPECIAL FORMICA
1452118	TEAK VINYL
1452183	SPECIAL VINYL
1542225	BLACK HAIRCELL
1572128	NU-WHITE
3152447	STERLING VINYL
3152573	WHITE HAIRCELL
4302284	DOVE GREY
6232224	SLATE
6232309	BLACK PICA

TABLE 2B. RIGHT CENTER TRIM PANEL (INDEX NUMBER 11)

PART NUMBER	DESCRIPTION
6232015	STERLING
6232074	DOVE GREY
6232166	NUWHITE
6232182	TEAK
6232230	WHITE HAIRCELL

TABLE 2C. RIGHT HAND TRIM PANEL (INDEX NUMBER 12)

PART NUMBER	DESCRIPTION
6332100	STERLING
6332103	BLACK HAIRCELL
6332105	BLACK PICA
6332109	COMPOSTITION OAK
6332111	DOVE GREY
6332113	LAMINATE
6332117	NU WHITE
6332119	PEWTER
6332121	PORT AU PRINCE
6332122	PRESIDENTIAL WALNUT
6332124	SLATE
6332126	TEAK
6332128	SPECIAL VINYL
6332130	WHITE HAIRCELL

TABLE 2D. BOTTOM TRIM PANEL (INDEX NUMBER 15)

PART NUMBER	DESCRIPTION
1572325	BLACK
6232313	STERLING - DEBIT/VER - NO COIN MECH.
6332101	STERLING
6332102	BISON BLACK
6332104	BLACK HAIRCELL
6332106	BLACK PICA
6332108	BLANK
6332110	COMPOSITION OAK
6332112	DOVE GREY
6332114	LAMINATE
6332118	NU WHITE
6332120	PEWTER
6332123	PRESIDENTIAL WALNUT
6332125	SLATE
6332127	TEAK
6332129	SPECIAL VINYL
6332131	WHITE HAIRCELL

TABLE 2E. LEFT CENTER TRIM PANEL (INDEX NUMBER 19)

PART NUMEBR	DESCRIPTION
6232014	STERLING
6232073	DOVE GREY
6232167	NU-WHITE
6232181	TEAK
6232229	WHITE HAIRCELL

TABLE 2F. LEFT HAND TRIM PANEL (INDEX NUMBER 20)

PART NUMBER	DESCRIPTION
6232013	PORT-AU-PRINCE
6232017	COMPOSITION OAK
6232019	PRESIDENTIAL WALNUT
6232039	STERLING
6232072	DOVE GREY
6232165	NU-WHITE
6232180	TEAK
6232188	BLANK
6232192	LAMINATE
6232201	PEWTER
6232221	SPECIAL VINYL
6232225	SLATE
6232232	WHITE HAIRCELL
6232241	BLACK HAIRCELL
6232311	BLACK PICA
6232323	MOROCCO GREY

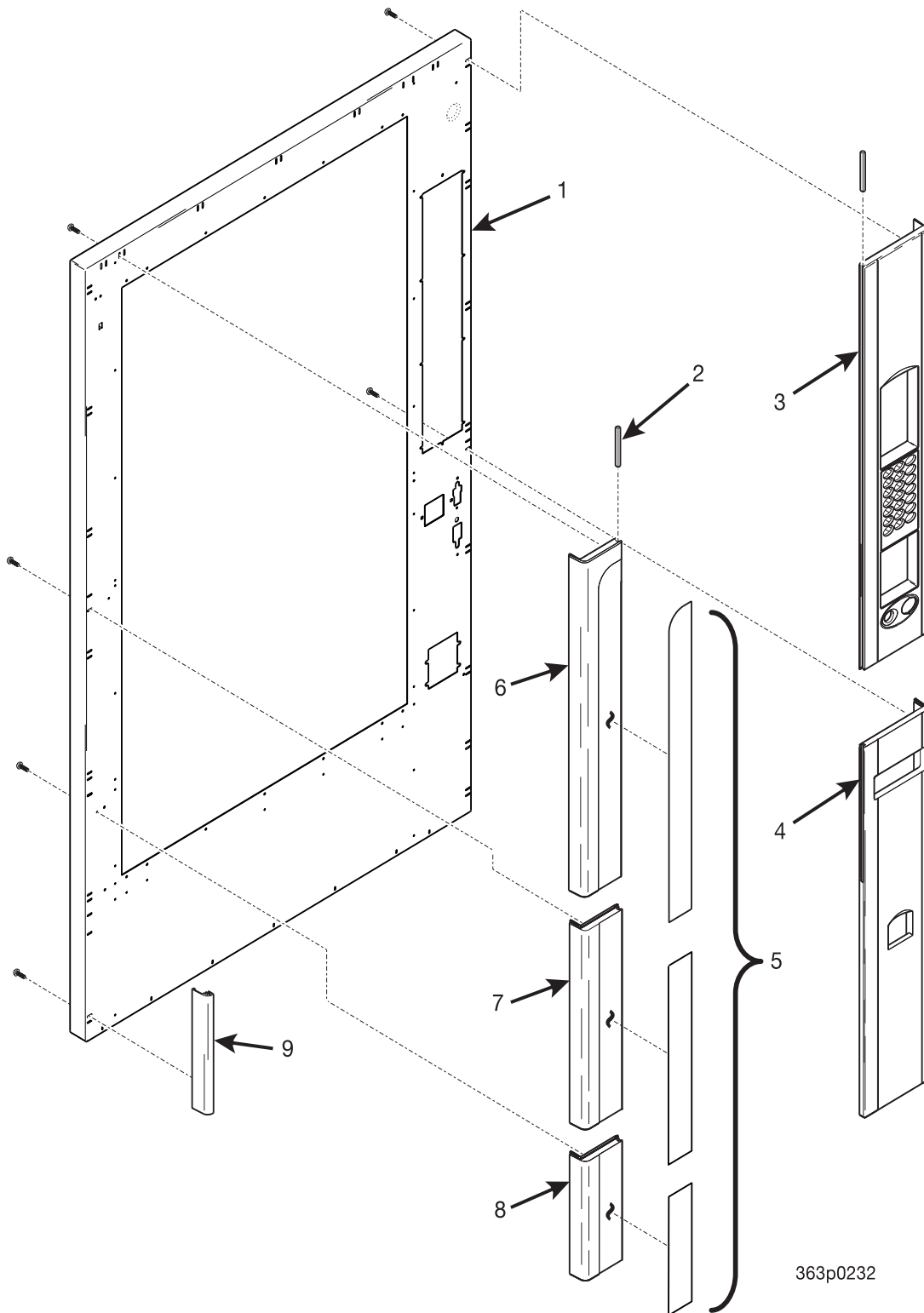
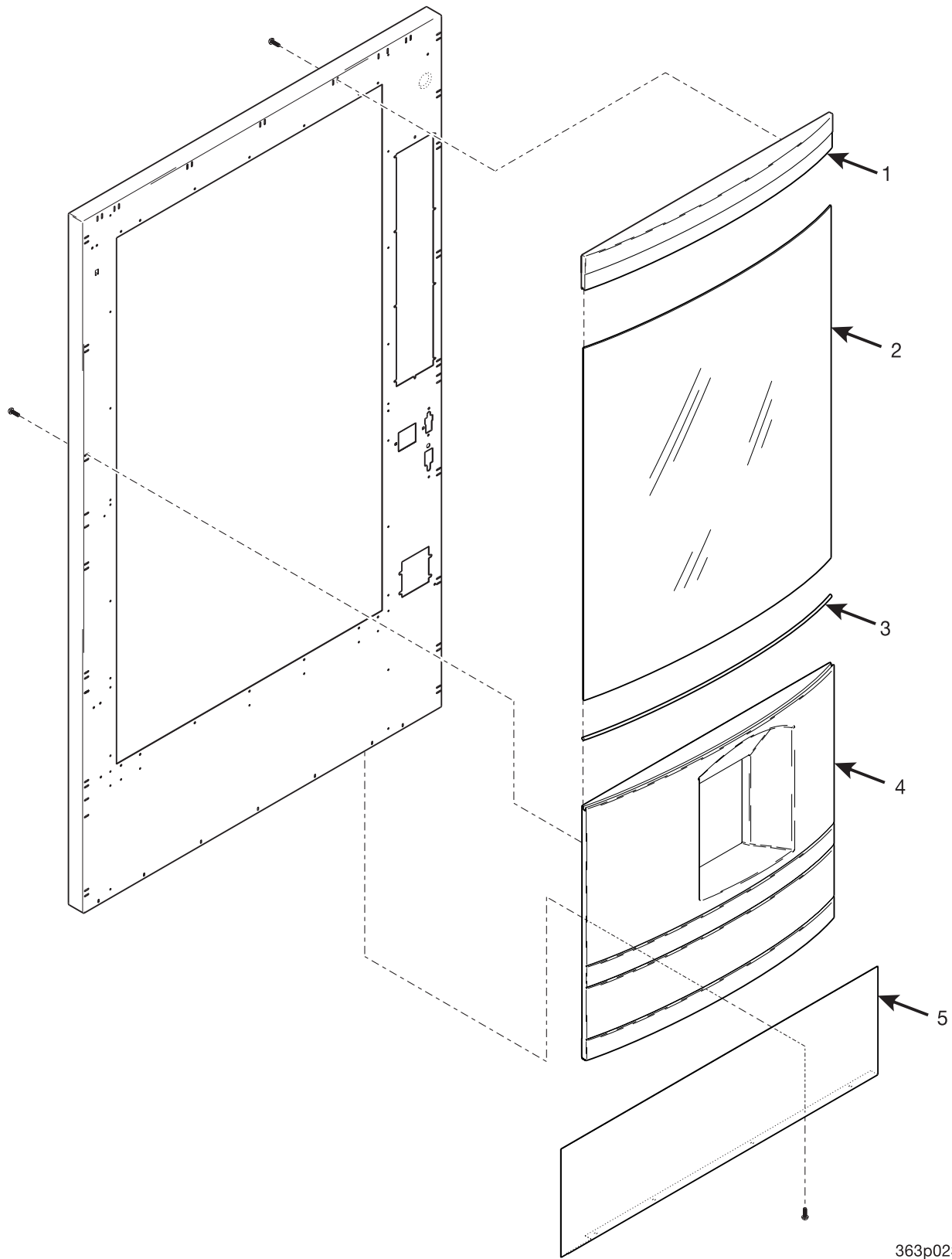


Figure 3. Trim - Millennium Style (Part 1 of 3)

TABLE 3. TRIM - MILLENNIA STYLE (PART 1 OF 3)

INDEX	PART NUMBER	DESCRIPTION	QTY
1	1572072	DOOR WELD ASSEMBLY - BLACK	1
2	1572259	FILLER - GROOVE - SHORT	2
3	1572254	RIGHT PANEL - MONETARY & BUTTON ASSEMBLY (SEE FIGURE 5)	1
4	1572214	RIGHT HAND TRIM - LOWER - "B"	1
5	1572258	DECAL - DOOR TRIM - VERTICAL ASSEMBLY	1
	1682034	DECAL - DOOR TRIM - VERTICAL ASSEMBLY (BLACK)	
6	4552058	TRIM - UPPER - LEFT HAND - "C"	1
	6312013	L.H. TRIM - UPPER - MILLENNIA BLACK	
7	4552059	TRIM - MIDDLE - LEFT HAND - "D"	1
	6312014	L.H. TRIM - MIDDLE - MILLENNIA BLACK	
8	4552060	TRIM - BOTTOM - LEFT HAND - "E"	1
	6312015	L.H. TRIM - BOTTOM - MILLENNIA BLACK	
9	1572267	TRIM - LOWER - DOOR SIDE - GRAY	1
	1572324	TRIM - LOWER - DOOR SIDE - BLACK	



363p0233

Figure 4. Trim - Millennium Style (Part 2 of 3)

TABLE 4. TRIM - MILLENNIA STYLE (PART 2 OF 3)

INDEX	PART NUMBER	DESCRIPTION	QTY
1	1572218	HORIZONTAL TRIM - TOP - 38" - "H-1	1
	1672018	HORIZONTAL TRIM - TOP - BLACK - 38"	
-	1572236	DECAL - DOOR TRIM - HORIZONTAL - 38" (NOT SHOWN) (USED WITH INDEX 1)	1
	1672021	DECAL - TRIM - HORIZONTAL - 38" - BLACK (NOT SHOWN) (USED WITH BLACK TRIM - INDEX 1)	
2	6332049	GLASS - CURVED FRONT - 38.31" - H.D.C.	1
3	1572235	GASKET - GLASS	1
4	6332141	HORIZONTAL TRIM - R1 - UPPER HOT DRINK	1
5	1572327	PANEL - BOTTOM TRIM - GRAY	1

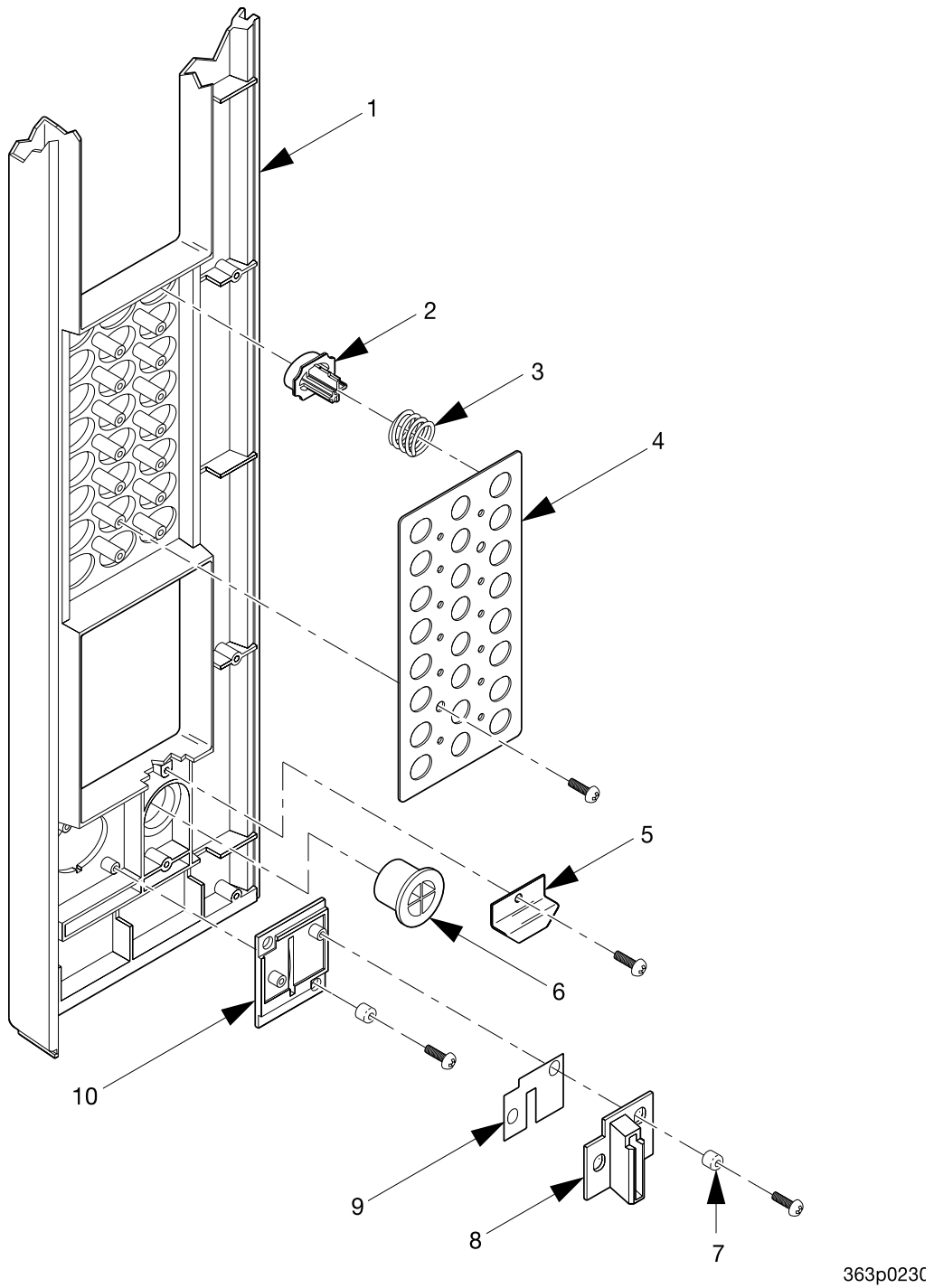


Figure 5. Trim - Millennium Style (Part 3 of 3) - Monetary and Button Assembly

TABLE 5. TRIM - MILLENNIA STYLE (PART 3 OF 3) - MONETARY AND BUTTON ASSEMBLY

INDEX	PART NUMBER	DESCRIPTION	QTY
1	1572213	R.H. TRIM - UPPPER - A21	1
	3632114	R.H. TRIM - UPPPER - A24	
2	1572212	ARRAY - PUSH BUTTON SELECTION	1
3	1572224	SPRING - PUSH BUTTON SELECTION	21
4	1572223	PLATE - STOP BUTTON	1
5	1572292	RETAINER - RETURN BUTTON	1
6	1572210	COIN RETURN BUTTON - "A-2	1
7	2302053	SPACER CUP	4
8	1572323	EXTENSION - COIN INSERT	1
9	1472222	COIN BLOCK	1
10	1572209	COIN INSERT - "A-1	1

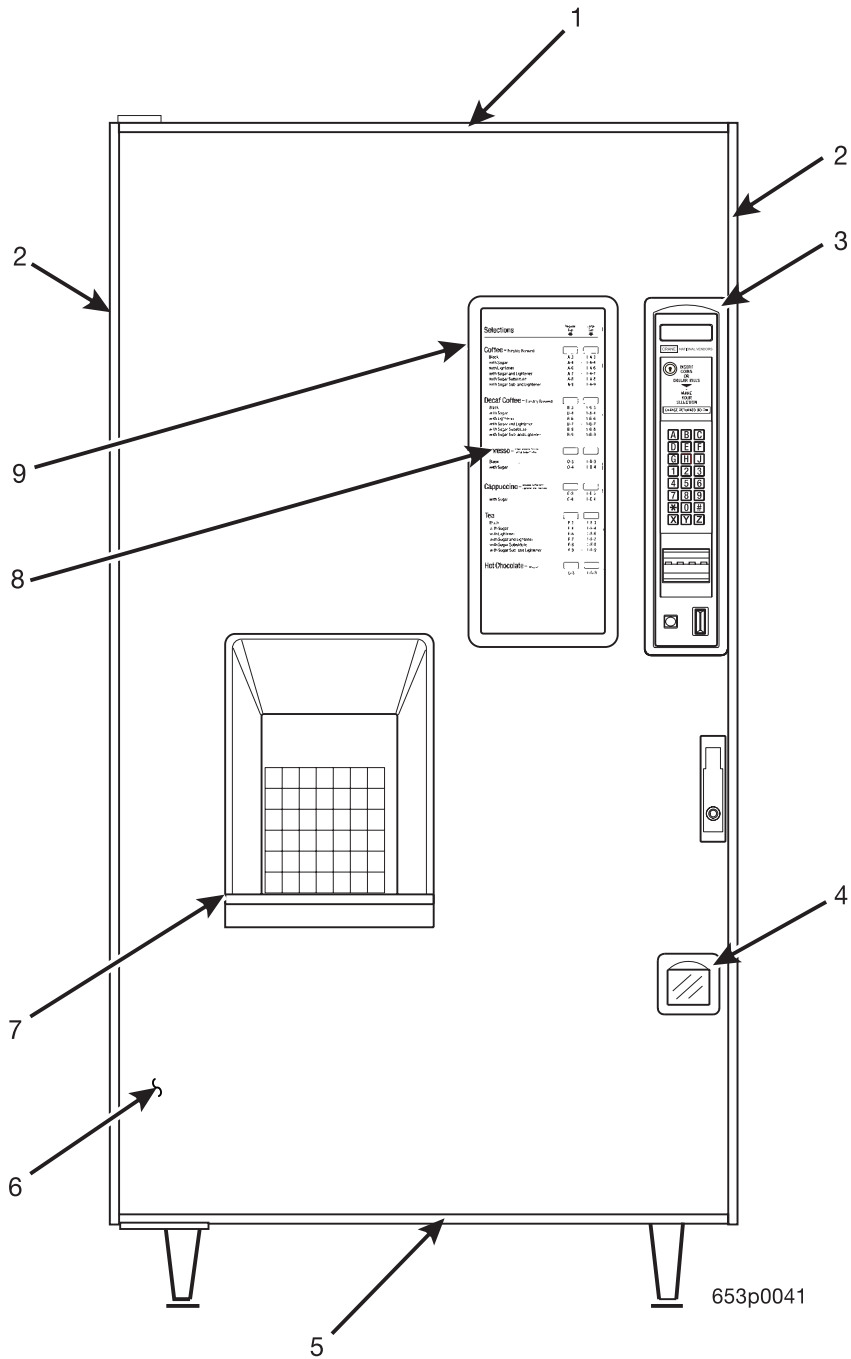


Figure 6. Trim - Nestlé Full P.O.P.

TABLE 6. TRIM - NESTLÉ FULL P.O.P.

INDEX	PART NUMBER	DESCRIPTION	QTY
1	1592067	TRIM - DOOR - HORIZONTAL - BLACK	1
2	1592069	TRIM - DOOR - SIDE - BLACK	2
3	1575047	CASTING - MONETARY FRAME - BLACK	1
4	1572011	TRIM - COIN CUP - BLACK	1
5	6232099	EDGE PROTECTOR - BOTTOM	1
6	6552000	PHOTO POP - DOOR - NESTLÉ USA (CUSTOMER SUPPLIED)	1
7	3152045	FRAME - CUP DELIVERY DOOR	1
8	6332083	LENS - SELECTION INSERT	1
9	6232044	FRAME - PRODUCT IDENTIFIER	1

TABLE 7. DOOR ASSEMBLY (PART 1 OF 2)

INDEX	PART NUMBER	DESCRIPTION	QTY
1	-	FLUORESCENT LAMP ASSEMBLY AND BALLAST (SEE FIGURE 16)	-
2	-	MECH AND CANISTER ASSEMBLY (SEE FIGURE 20)	-
3	-	DELIVERY DOOR (SEE FIGURE 15)	-

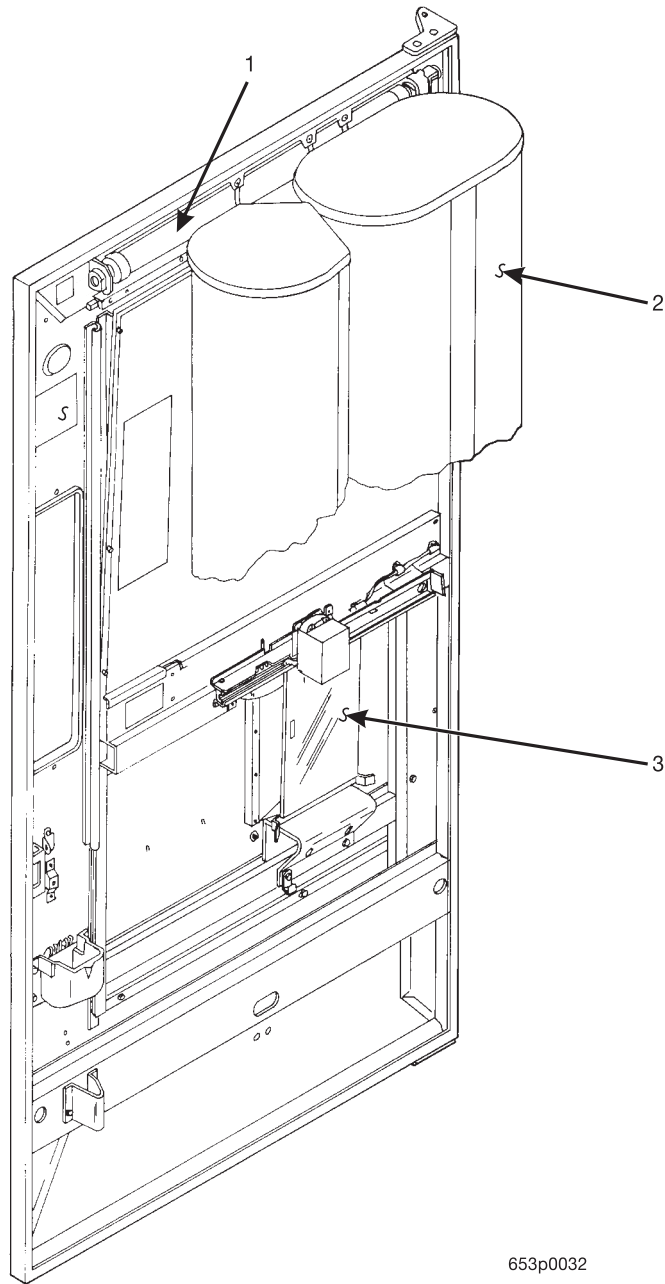
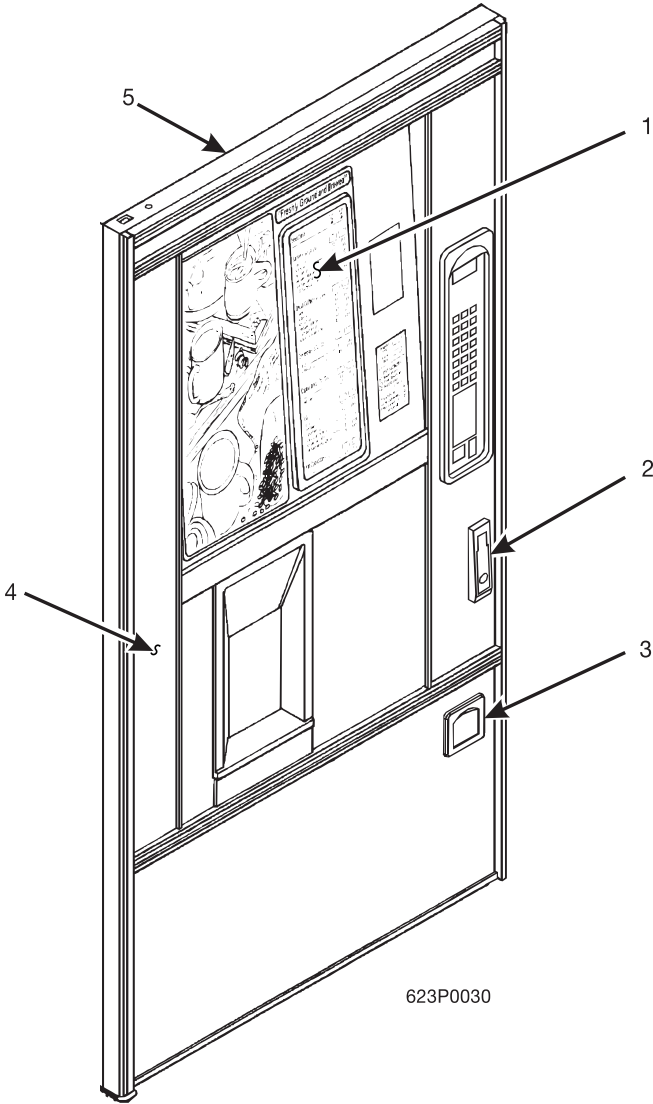


Figure 7. Door Assembly (Part 1 of 2)

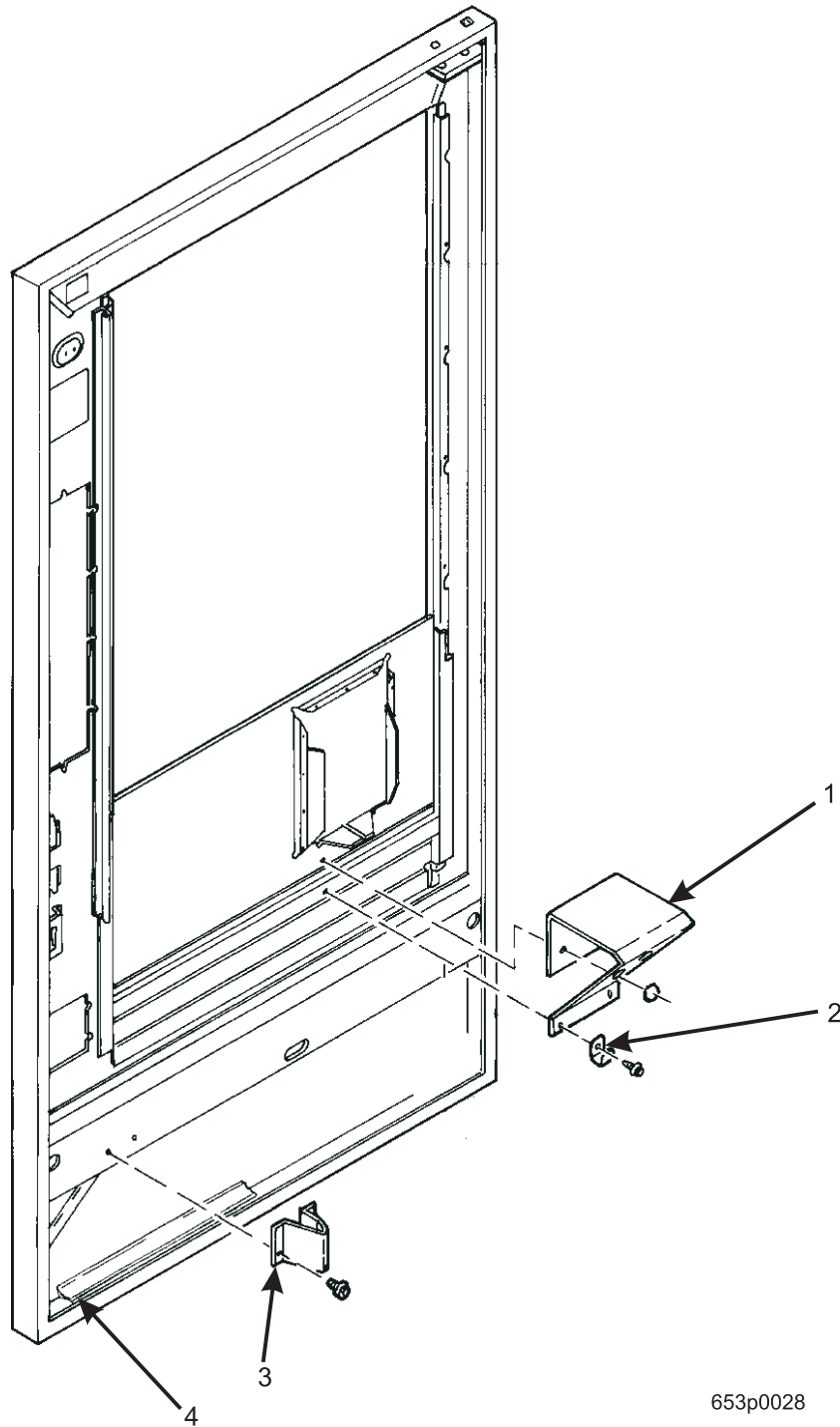
TABLE 8. DOOR ASSEMBLY (PART 2 OF 2)

INDEX	PART NUMBER	DESCRIPTION	QTY
1	-	DISPLAY ASSEMBLY (SEE FIGURES 17, 18)	-
2	-	DOOR LOCK AND HANDLE ASSEMBLY (SEE FIGURES 13, 14)	-
3	-	COIN RECEPTACLE ASSEMBLY (SEE FIGURE 11)	-
4	-	TRIM COMPONENTS (SEE FIGURE 2)	-
5	1572001	WELD ASSEMBLY - DOOR WELD	1



623P0030

Figure 8. Door Assembly (Part 2 of 2)



653p0028

Figure 9. Miscellaneous Mounted Parts - Door Assembly

TABLE 9. MISCELLANEOUS MOUNTED PARTS - DOOR ASSEMBLY

INDEX	PART NUMBER	DESCRIPTION	QTY
1	6332025	LIFT BRACKET - CUP STATION	1
2	3142138	HANGER - CUP STATION	1
3	6231164	BRACKET - DOOR SUPPORT	1
4	1452151	FILLER STRIP - SANITATION	1

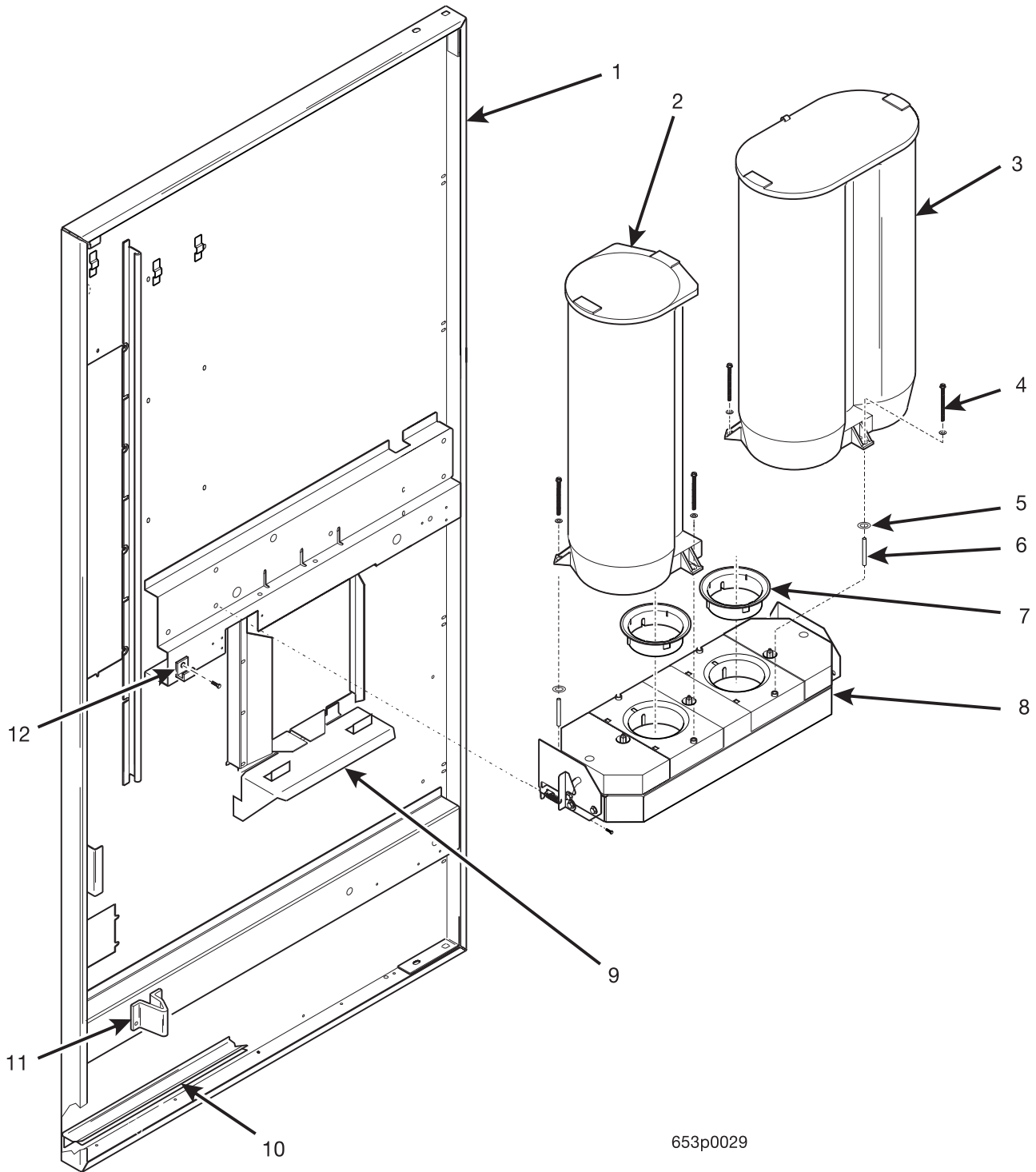
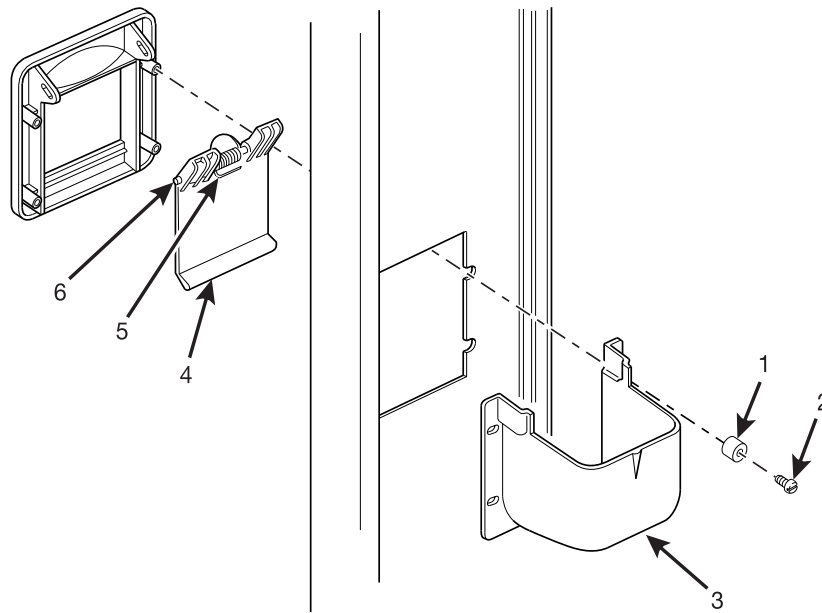


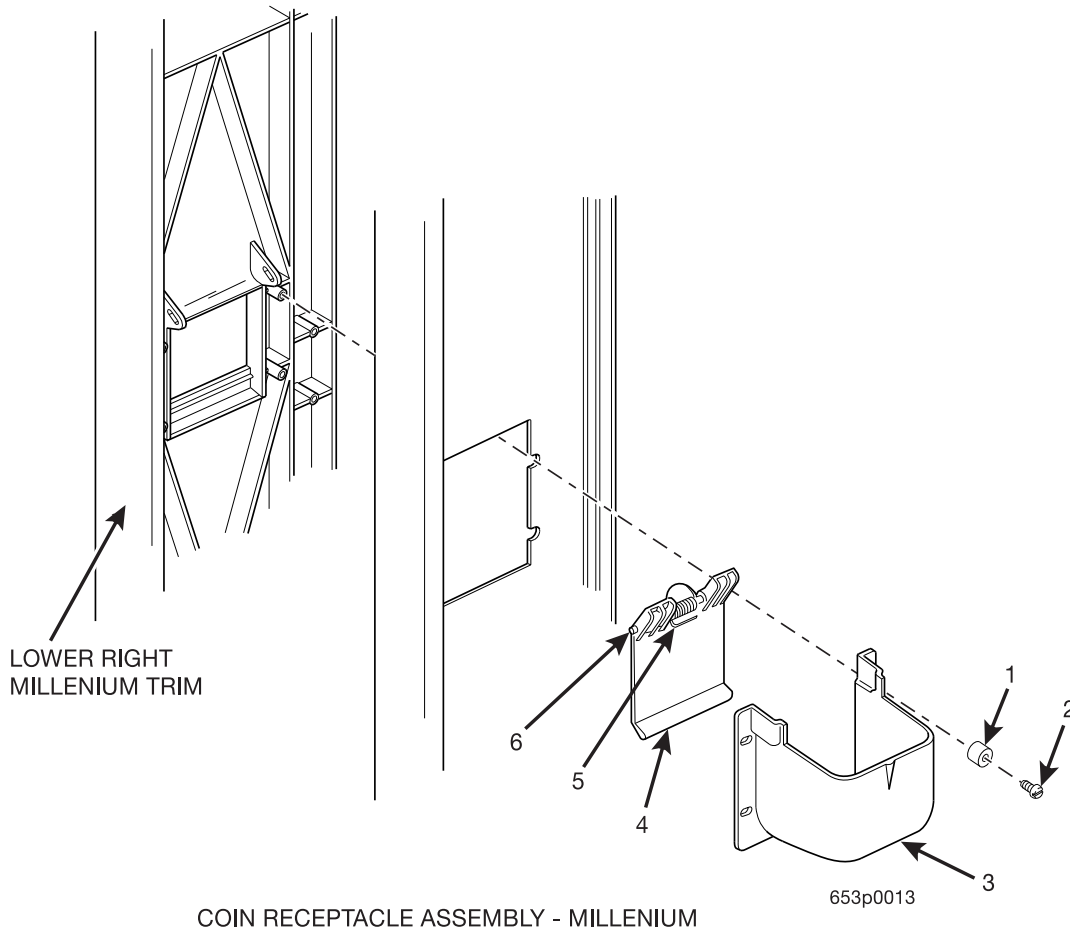
Figure 10. Nestlé Style - Full P.O.P. - Door Assembly - Interior

TABLE 10. NESTLÉ STYLE - FULL P.O.P. - DOOR ASSEMBLY - INTERIOR

INDEX	PART NUMBER	DESCRIPTION	QTY
1	6332005	DOOR WELD ASSY - PAINTED	1
2	6233103	TURRET & CSTR ASSY - 4 COL.	2
3	6233102	TURRET & CSTR ASSY - 7 COL.	1
4	6233077	BOLT - #1/4 X 20 X 2.38 HHS	7
5	6131066	WASHER 5/8 X .265 X .048 ZINC/YEL	7
6	6263002	SPACER - .227ID X .375OD X 1.94	7
7	6233007	FUNNEL - 3.25 CUP DIAMETER	2
8	6233101	MECHANISM ASSY - 11 COLUMN	1
9	6232040	CENTER PLATE & TRIM ASSY - STERL	1
10	1452151	FILLER STRIP - SANITATION	1
11	6231164	BRACKER - DOOR SUPPORT	1
12	3142138	HANGER CUP STATION	1



COIN RECEPTACLE ASSEMBLY - STANDARD
AND NESTLE FULL P.O.P. STYLE



COIN RECEPTACLE ASSEMBLY - MILLENIUM

Figure 11. Coin Receptacle Assemblies

TABLE 11. COIN RECEPTACLE ASSEMBLIES

INDEX	PART NUMBER	DESCRIPTION	QTY
1	2302053	SPACER - CUP	4
2	4042512	SCREW - #8-18 X 1/2 - PHS - TAPPING	4
3	1572010	CUP - COIN RETURN	1
4	4245082	GATE - COIN RETURN	1
5	4245083	SPRING - COIN RETURN DOOR	1
6	4245084	SHAFT - DOOR - COIN RETURN	1

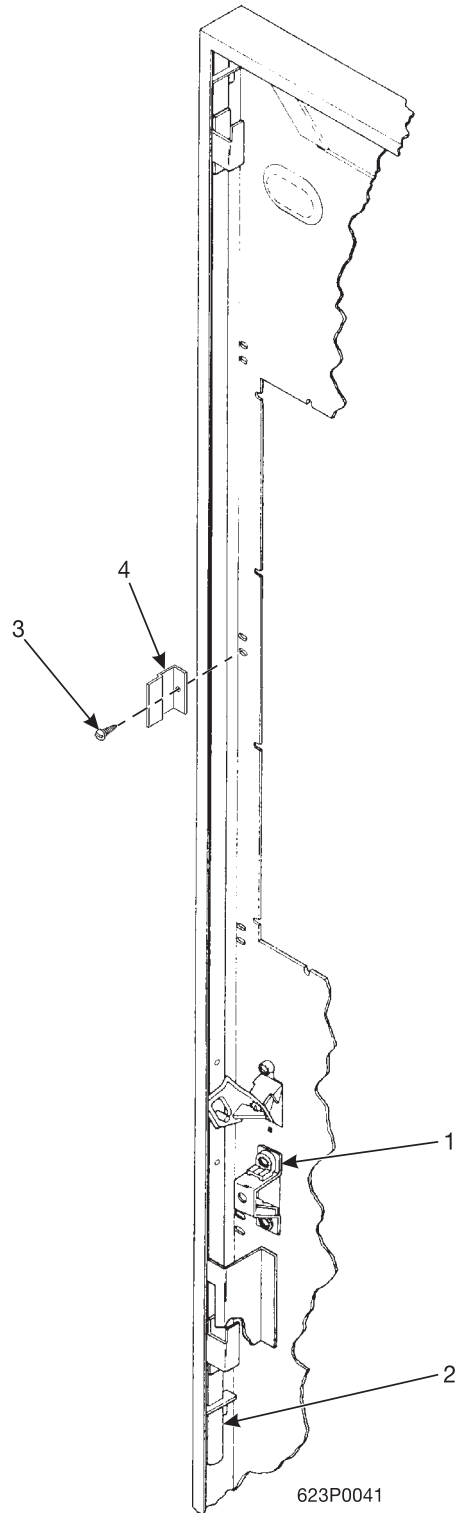


Figure 12. Door Lock Assembly

TABLE 12. DOOR LOCK ASSEMBLY

INDEX	PART NUMBER	DESCRIPTION	QTY
1	-	DOOR LOCK AND HANDLE ASSEMBLY (SEE FIGURES 13, 14)	1
2	1472178	LOCK BAR ASSEMBLY	1
3	-	SCREW	1
4	1472250	GUIDE - LOCK BAR	1

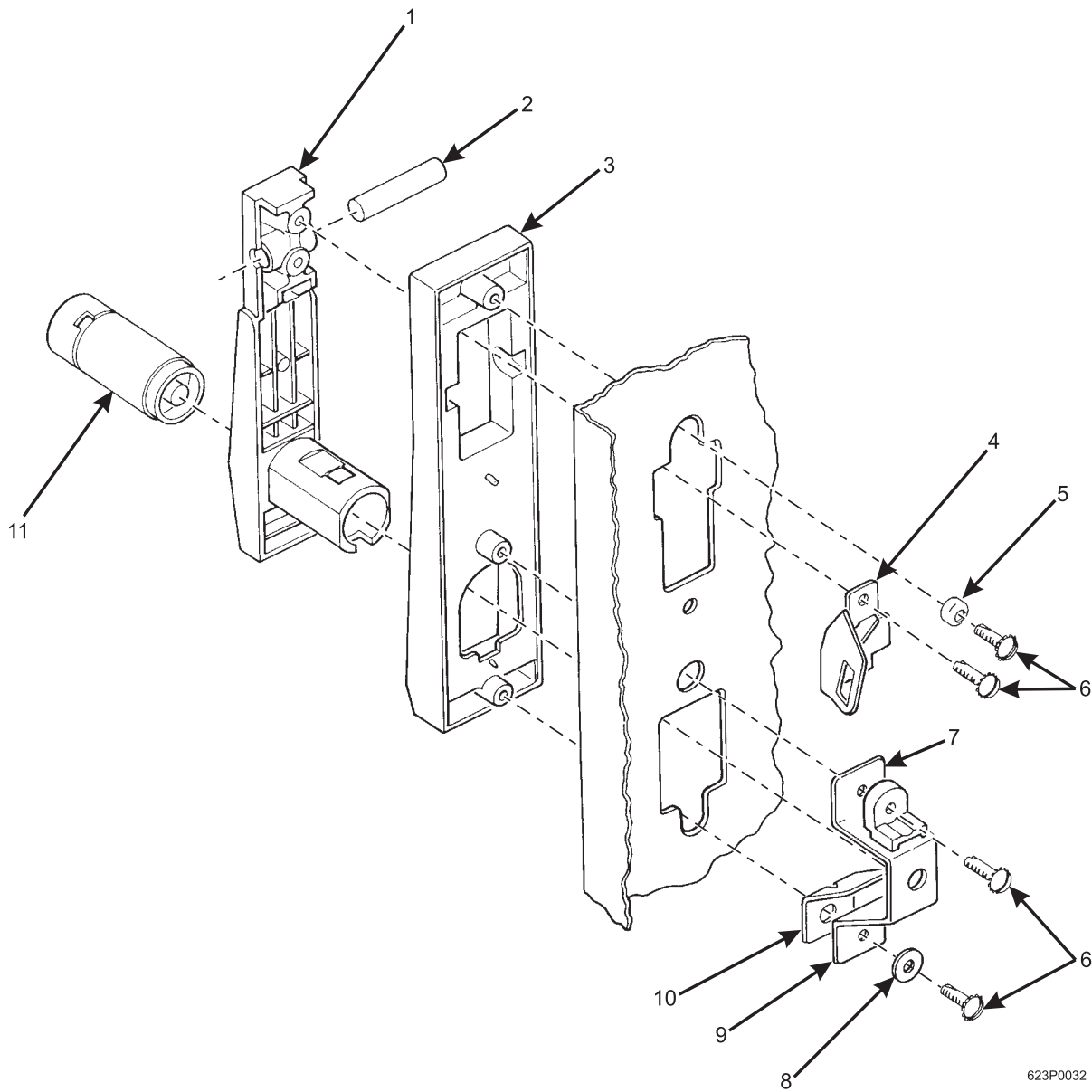


Figure 13. Door Lock and Handle Assembly - Standard Trim and Nestlé Full POP Style

TABLE 13. DOOR LOCK AND HANDLE ASSEMBLY - STANDARD TRIM AND NESTLÉ FULL POP STYLE

INDEX	PART NUMBER	DESCRIPTION	QTY
1	1172190	LEVER - LOCK	1
	8905012	LEVER - LOCK - BLACK (NESTLÉ FULL P.O.P. STYLE)	1
2	1302291	PIVOT - LEVER LOCK	1
3	1172191	BASE - LEVER LOCK	1
	8905011	BASE - LEVER LOCK - BLACK (NESTLÉ FULL P.O.P. STYLE)	1
4	2272052	ACTUATOR ASSEMBLY - LOCK BAR	5
5	1302289	CUP SPACER	1
6	1217161	SCREW #10-32 X 1/2 RHS W/LW	1
7	1302326	SHIELD - LATCH	1
8	9900121	WASHER - STEEL - 7/16 X .203 X .032	1
9	1302324	CATCH - DOOR LATCH	1
10	1302290	LATCH - LOCK LOWER	1
11	9992400	CYLINDER - LOCK - FLEX ACE	OPT
	3112163	CYLINDER - LOCK - VAN	
-	3112164	KEY - VAN LOCK (NOT SHOWN)	OPT
-	9994000	GENERIC KEY - FLEX ACE (NOT SHOWN)	-

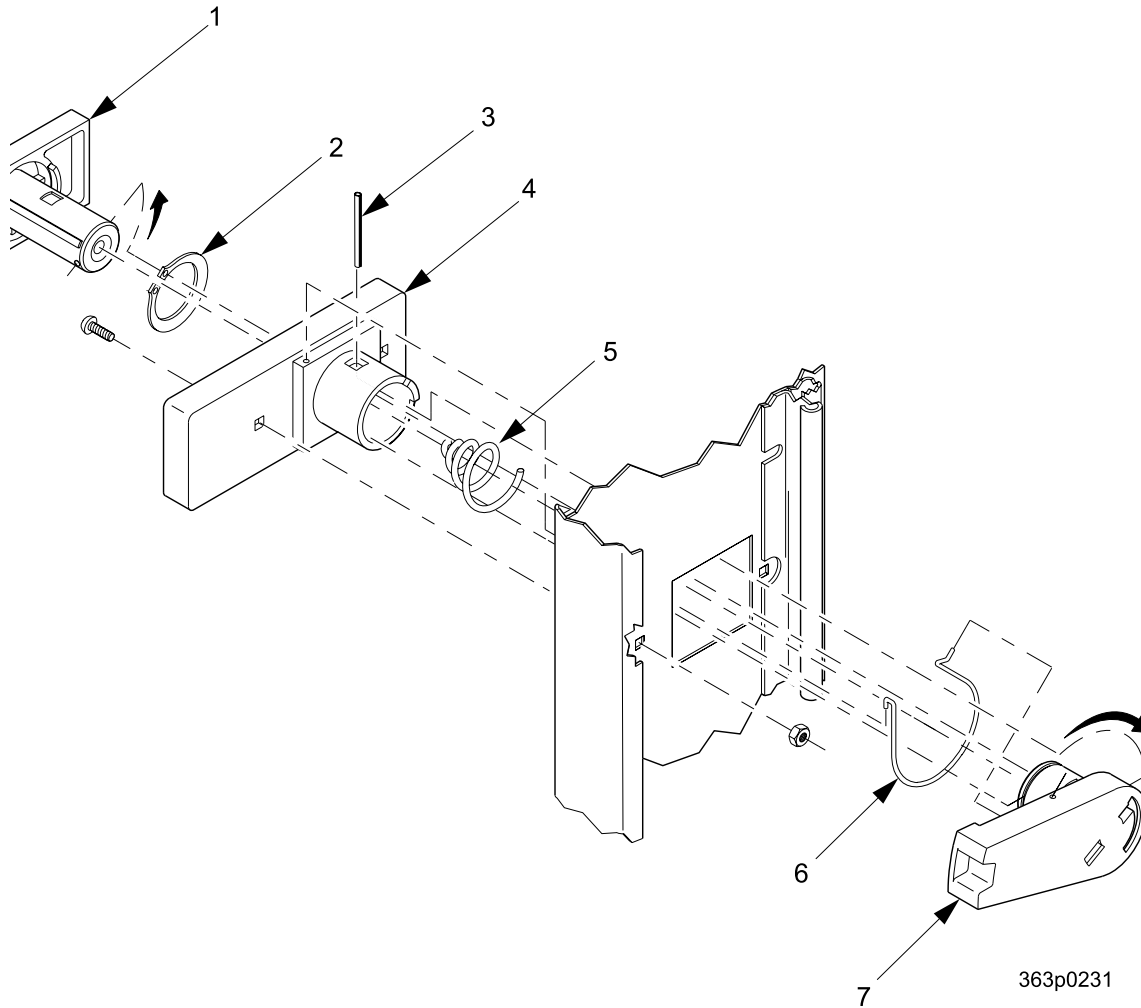


Figure 14. Millennium Door Lock and Handle Assembly

TABLE 14. MILLENNIA DOOR LOCK AND HANDLE ASSEMBLY

INDEX	PART NUMBER	DESCRIPTION	QTY
1	1572397	LEVER - HANDLE	1
2	1572199	RETAINING RING - LOCK ACTUATOR	1
3	6104218	ROLL PIN 1/8 X 1 1/8	1
4	1572396	BASE - LOCK HANDLE	1
5	1572203	SPRING - LOCK	1
6	1572398	ACTUATOR - LOCK BAR	1
7	1572204	SPRING - LIFT - ACTUATOR	1

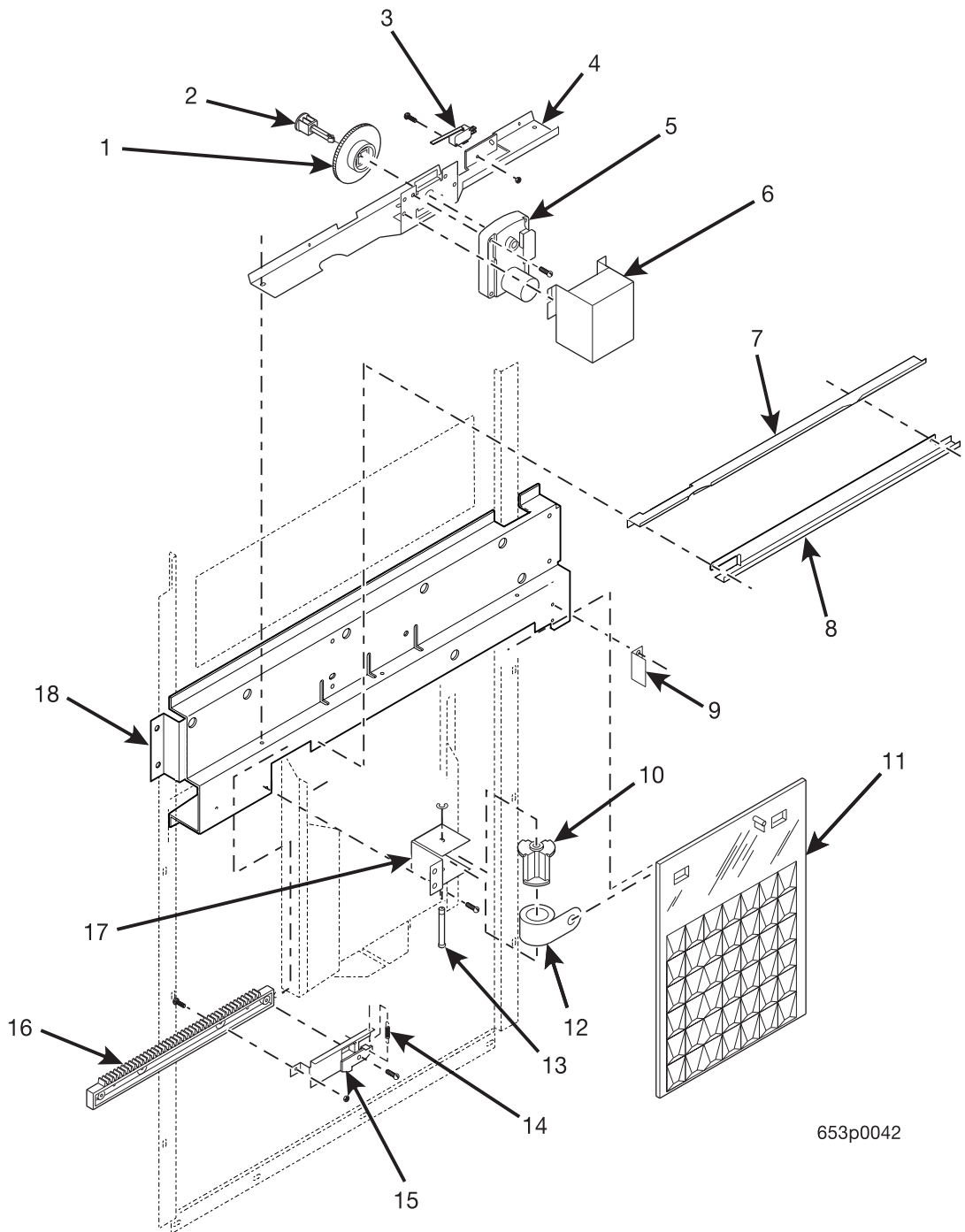
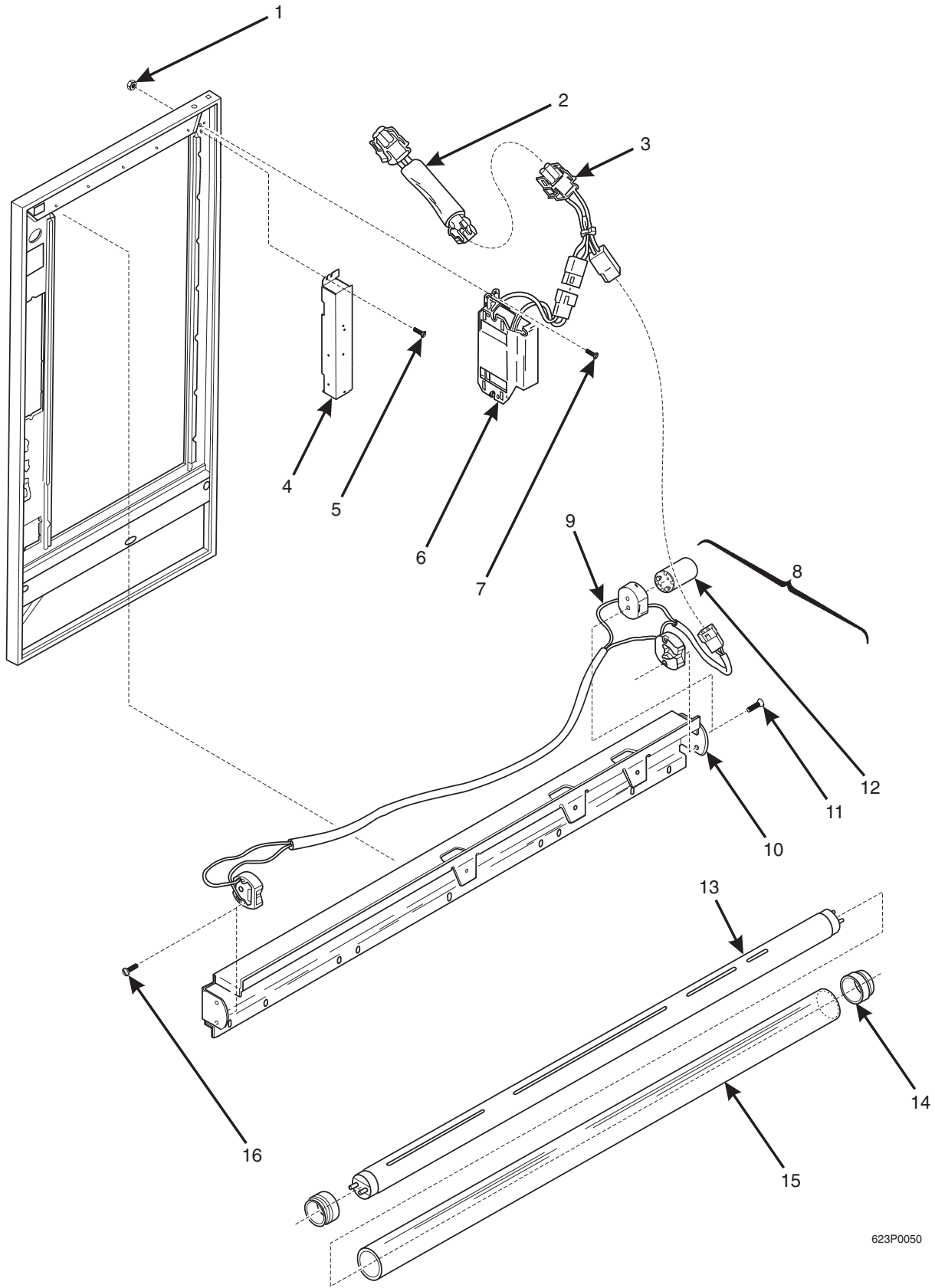


Figure 15. Automatic Delivery Door

TABLE 15. AUTOMATIC DELIVERY DOOR

INDEX	PART NUMBER	DESCRIPTION	QTY
-	6239026	HARNES - AUTO DOOR (NOT SHOWN) (SEE TABLE 87)	1
-	1452139	RETAINER - HARNES (NOT SHOWN)	3
1	1477020	GEAR - TRAY	1
2	1477113	COUPLING - SPIRAL	1
3	5220108	SWITCH	1
4	3282004	BRACKET - MOTOR - AUTO DOOR	1
5	1577035	MOTOR AND PCB ASSEMBLY	1
6	6232263	COVER - MOTOR - VEND DOOR	1
7	6532010	TRACK - GEAR RACK	1
8	6232172	TRACK - VEND DOOR	1
9	6232096	STOP - VEND DOOR	1
10	6232084	SPOOL - SPRING	1
11	6232065	DOOR - VEND	1
12	6232091	SPRING - VEND DOOR	1
13	6232085	SHAFT - SPOOL	1
14	3108141	SPRING COVER AIR GAP	1
15	6232160	PLATE ASSEMBLY - RACK	1
16	6234106	RACK - BREWER	1
17	6232089	HOUSING - SPRING	1
18	6332143	BRACE - CUP MECH	1



623P0050

Figure 16. Fluorescent Lamp Assembly and Ballast (Standard and Millennium Styles)

TABLE 16. FLUORESCENT LAMP ASSEMBLY AND BALLAST (STANDARD AND MILLENNIA STYLES)

INDEX	PART NUMBER	DESCRIPTION	QTY
1	-	MOUNTING HARDWARE	
2	1451124	SUPPRESSION NETWORK ASSEMBLY (BRZ/MEX/US)	1
3	3156032	JUMPER - FILTER AND FLUORESCENT LIGHT	1
4	-	NOT USED IN THIS APPLICATION	1
5	-	NOT USED IN THIS APPLICATION	1
6	3151058	BALLAST ASSEMBLY - 14-20 WATT (BRZ./MEX/U.S.)	1
	6332009	BALLAST ASSY - 18 WATT (ARG./AUS./FR./GER./N.Z./S.A./SP./U.K.)	1
7	-	MOUNTING HARDWARE	1
8	6332006	LIGHT BRACKET ASSEMBLY (INCLUDES INDEX NUMBERS 9 - 11, AND 16)	1
9	6339006	HARNESS - FLUORESCENT LAMP	1
10	6232068	BRACKET - LIGHT TUBE	1
11	1452076	SCREW #4-36 X .437 RHS	2
12	2222095	FLUORESCENT LAMP STARTER	1
13	2222535	FLUORESCENT LAMP	1
14	6232159	END CAP - SLEEVE	2
15	6232158	SAFETY SLEEVE - LAMP	1
16	3107171	SCREW #4-36 X 5/8 RHS	2

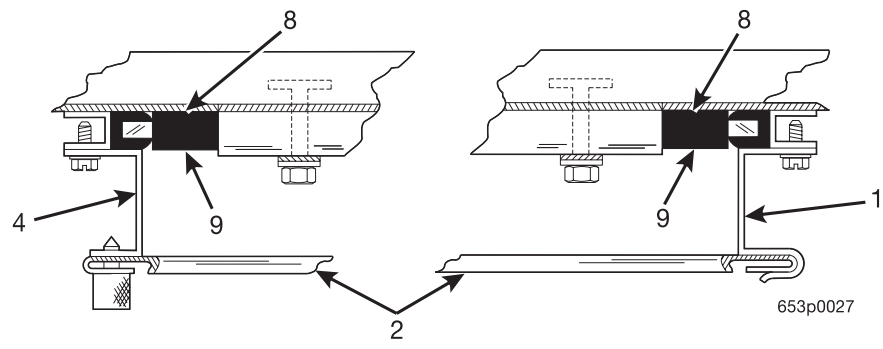
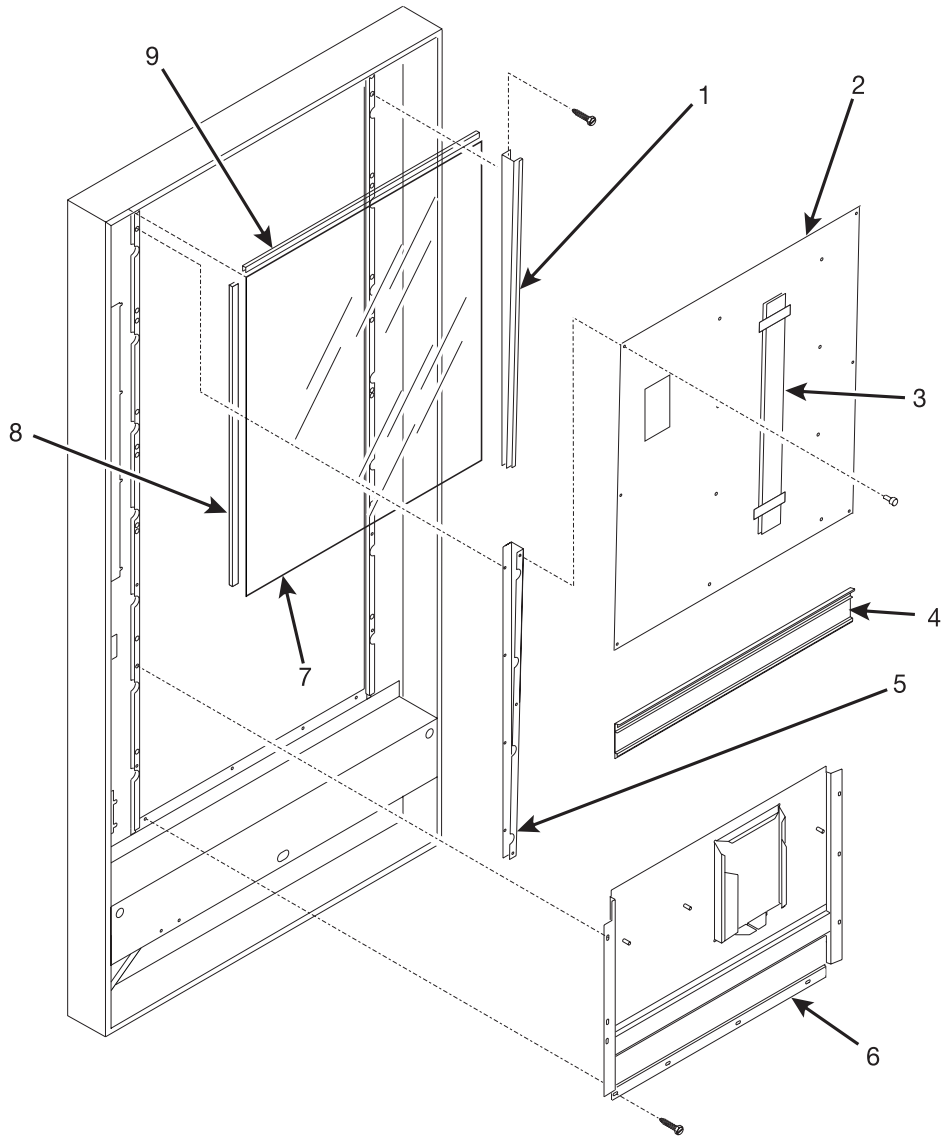


Figure 17. Display Assembly - Part 1 of 2 (Standard and Millennium Style)

TABLE 17. DISPLAY ASSEMBLY - PART 1 OF 2 (STANDARD AND MILLENNIA STYLE)

INDEX	PART NUMBER	DESCRIPTION	QTY
1	6232042	MOUNT - DISPLAY - LEFT	1
2	6232115	PANEL ASSEMBLY - DISPLAY (INCLUDES INDEX NUMBERS 13 THOUGH 16 AND 19) (SEE FIGURE 18)	1
3	6232093	OVERLAY - LARGE CUP	1
	6232219	FILLER-FRAME	
4	6232186	TRIM - HORIZONTAL - GLASS	1
5	6232043	MOUNT - DISPLAY - RIGHT	1
6	6332153	COVER PLATE ASSEMBLY	1
7	6232022	GLASS - DISPLAY	1
	6332085	DISPLAY - PANEL - POLYCARBONATE	
8	6232071	CHANNEL - GLASS - VERTICAL	1
9	6232070	CHANNEL - GLASS - HORIZONTAL	2

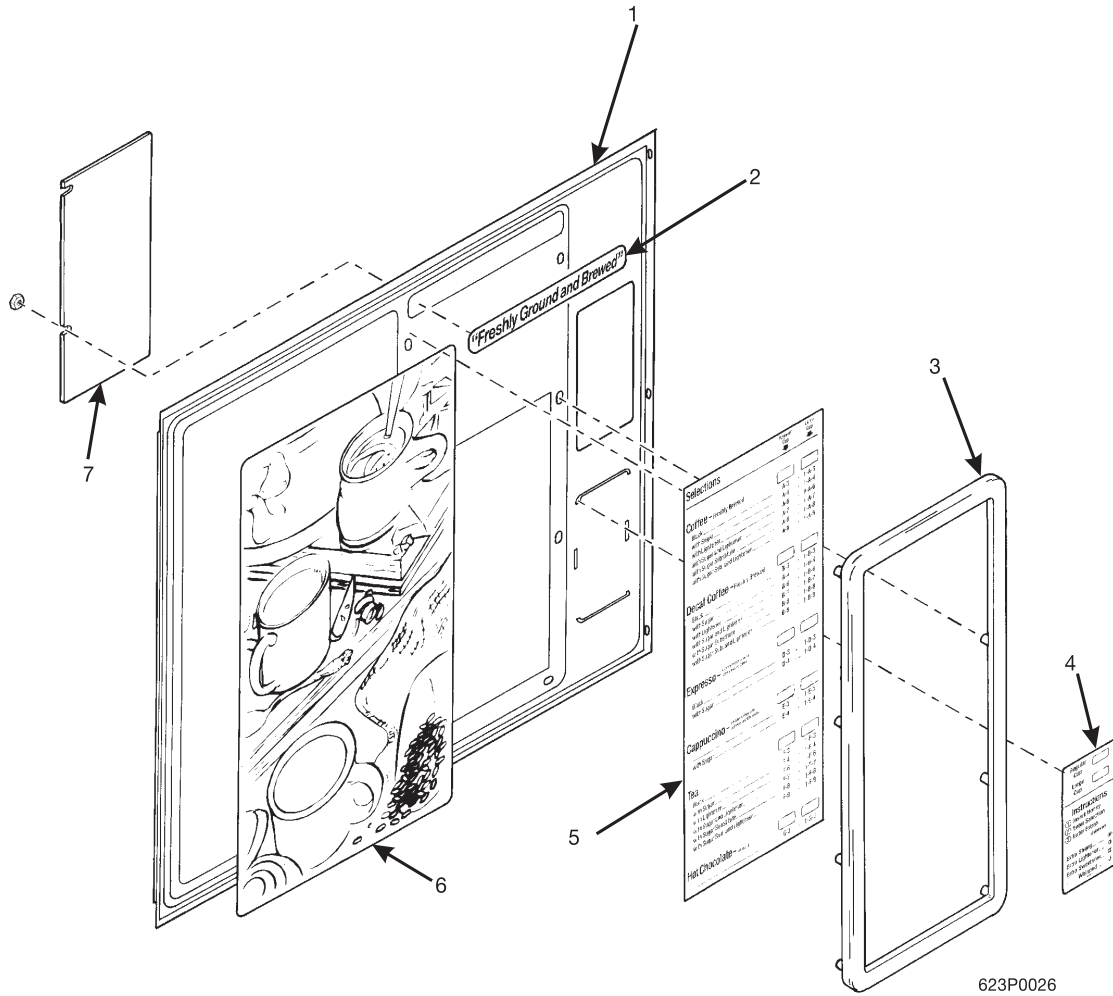
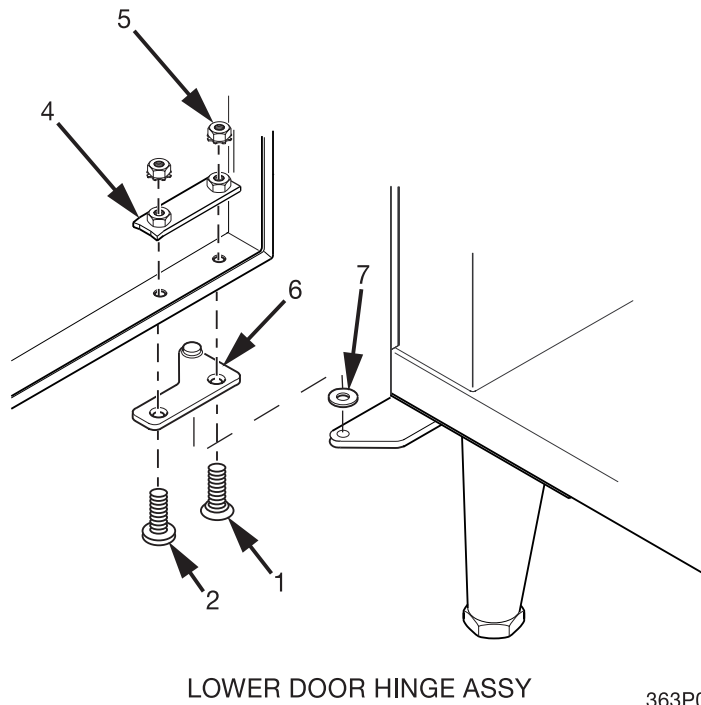
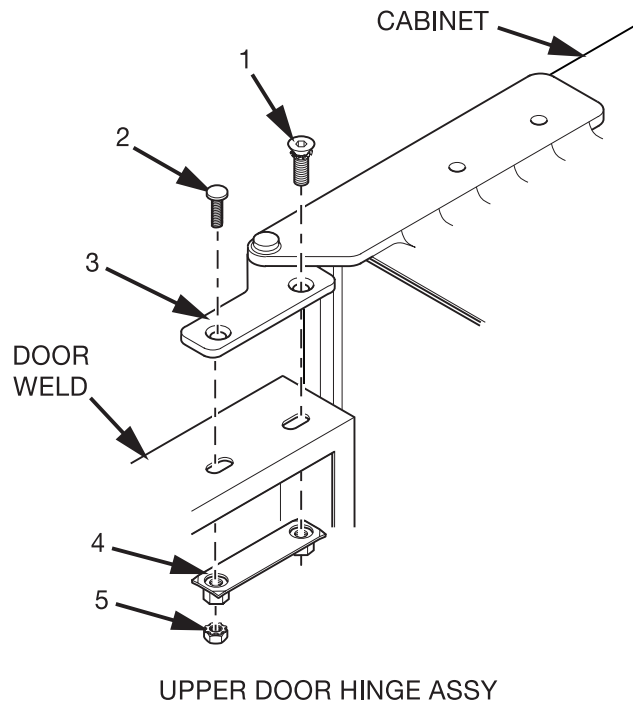


Figure 18. Display Assembly - Part 2 of 2

TABLE 18. DISPLAY ASSEMBLY - PART 2 OF 2

INDEX	PART NUMBER	DESCRIPTION	QTY
1	6232018	PANEL - DIPLAY - PRODUCT	1
2	6232132	LABEL - FRESHLY GROUND AND BREWED (657 ONLY) (U.S.)	1
3	6232044	FRAME - PRODUCT IDENTIFIER	1
4	6232060	LABEL - INSTRUCTION AND CUP SIZE (BRZ./U.S.)	1
5	-	SELECTION INSERTS (SEE BAG ASSEMBLY TABLE)	1
6	6232063	DISPLAY - PHOTO - POINT OF PURCHASE	1
7	6232069	BEAN WINDOW FILLER (653 AND 655 ONLY)	1



363P0113

Figure 19. Door Hinge Assemblies

TABLE 19. DOOR HINGE ASSEMBLIES

INDEX	PART NUMBER	DESCRIPTION	QTY
1	6232036	SCREW - 5/16 - 18 X .75 FLT.HD SOCKET	4
2	6232208	WELD SCREW - #1/4-20 X 1" LONG	2
3	6232028	PLATE ASSEMBLY - HINGE MOUNTING	2
4	1211105	1/4-KEPS NUT EXT LW ZP	2
5	6232031	HINGE ASSEMBLY - DOOR - LOWER	1
	4872016	HINGE ASSEMBLY - DOOR - LOWER - SELECTA WHITE	
6	4242145	BEARING - THRUST - LOWER HINGE	1

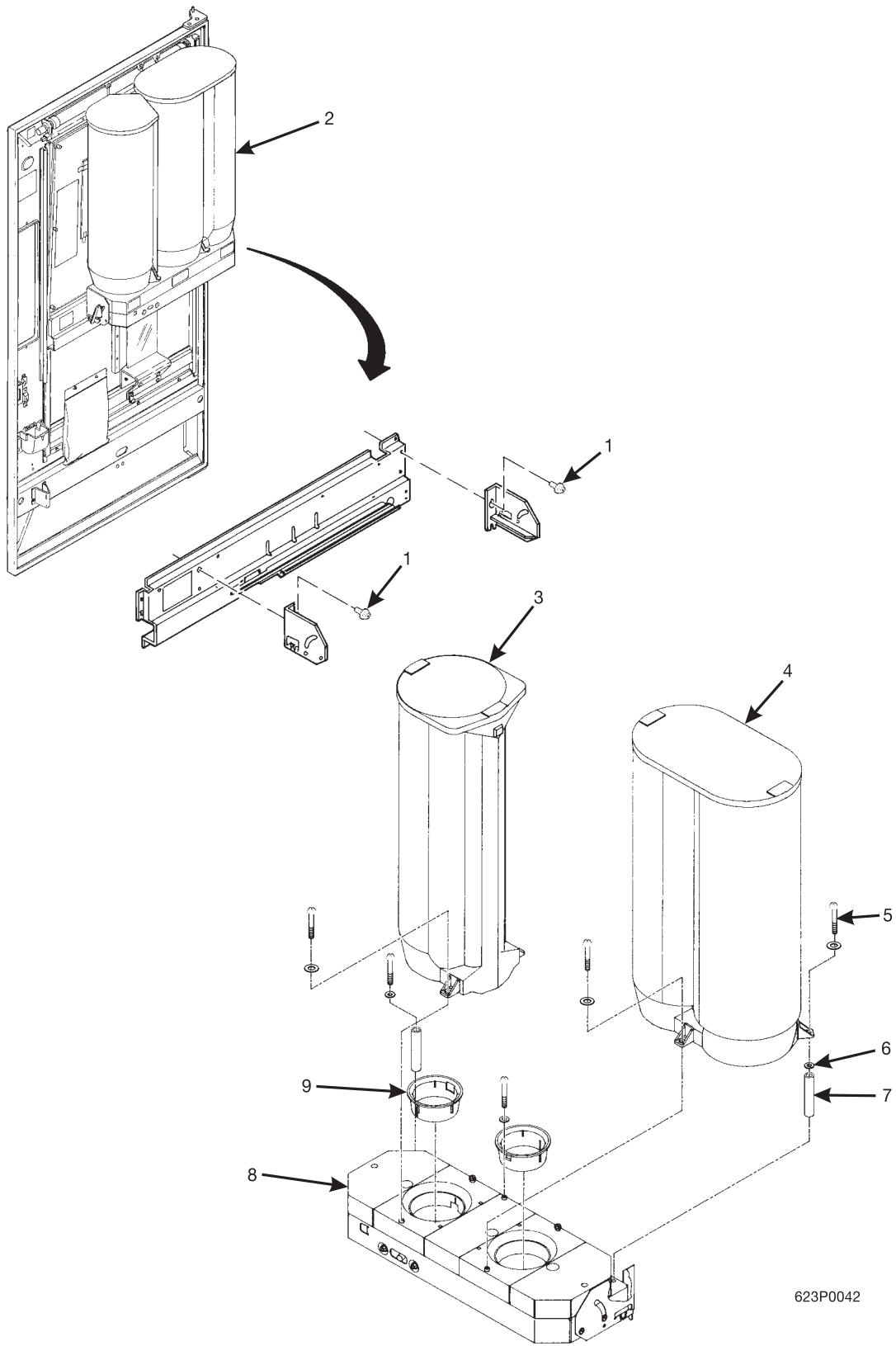


Figure 20. Mech and Canister Assembly - 11 Column

TABLE 20. MECH AND CANISTER ASSEMBLY - 11 COLUMN

INDEX	PART NUMBER	DESCRIPTION	QTY
1	-	BOLT	2
2	6233100	MECH AND CANISTER ASSEMBLY (INCLUDES INDEX NUMBERS 3 THROUGH 9)	1
3	6233103	TURRET AND CANISTER ASSEMBLY - 4 COLUMN (SEE FIGURE 21)	1
4	6233102	TURRET AND CANISTER ASSEMBLY - 7 COLUMN (SEE FIGURE 22)	1
5	6233077	BOLT - #1/4 X 20 X 2	4
6	6131066	5/8 X .265 X .048 WASHER - ZINC	7
7	6263002	SPACER - .277 ID X .37	2
8	6233101	MECHANISM ASSEMBLY (SEE FIGURE 23)	1
9	6233007	FUNNEL - 3.25	2

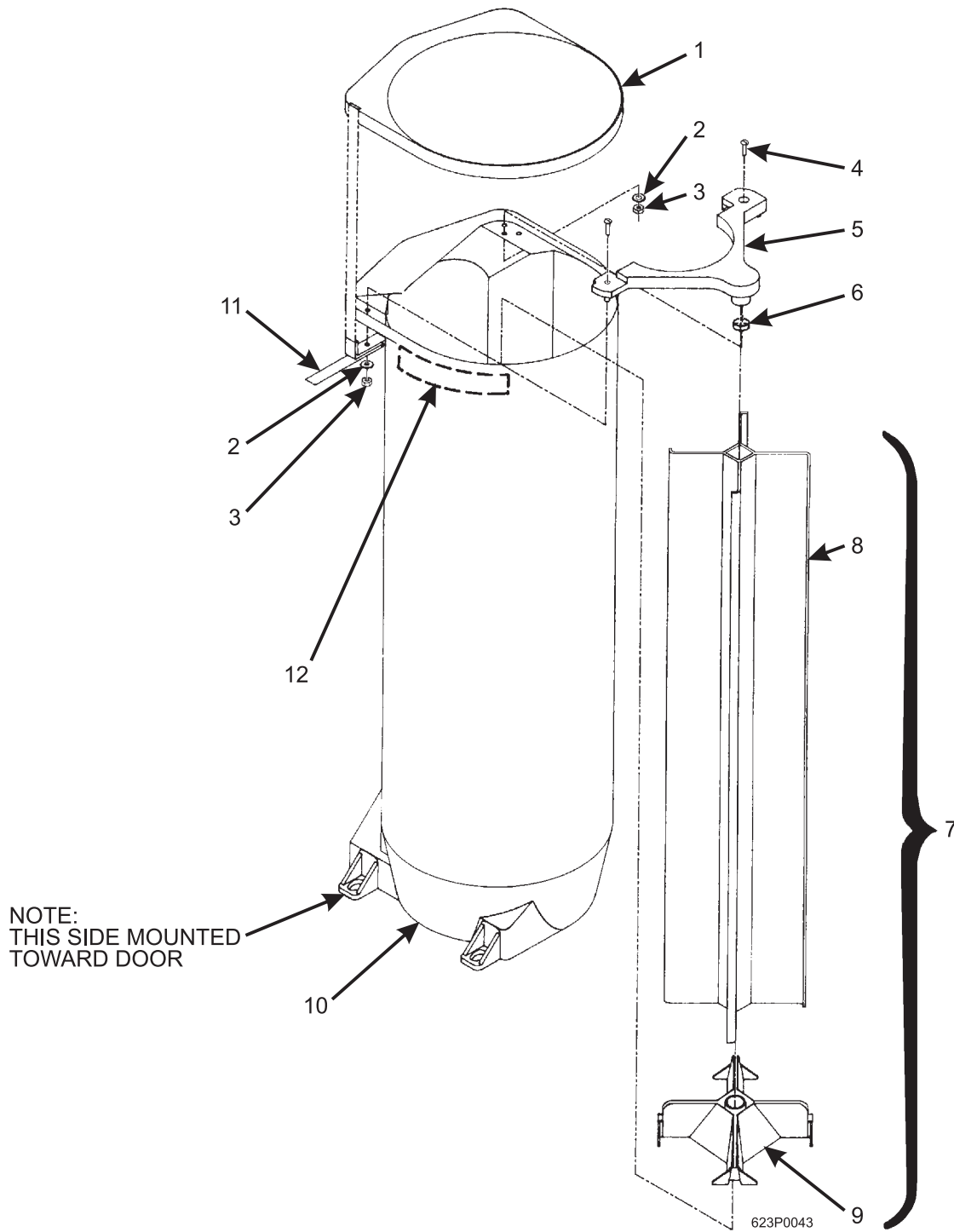


Figure 21. Turret and Canister Assembly - 4 Column

TABLE 21. TURRET AND CANISTER ASSEMBLY - 4 COLUMN

INDEX	PART NUMBER	DESCRIPTION	QTY
-	6233103	TURRET AND CANISTER ASSEMBLY - 4 COLUMN	REF
1	6233089	LID - CANISTER - 4	1
2	6138181	WASHER PLATE	2
3	9900081	NUT - #8-32 KEPS	2
4	9900115	SCREW - #8-32 X 3	2
5	6233030	BEARING TURRET	1
6	2302053	SPACER CUP	1
7	6233109	TURRET ASSEMBLY 1B (INCLUDES INDEX NUMBER 8 AND 9)	1
8	6233061	TURRET CENTER	1
9	6233048	BASE - TURRET	1
10	6233088	CANISTER - CUP -4	1
11	6333003	STRAP - CANISTER	1
12	6233095	LABEL - FILL LINE	1

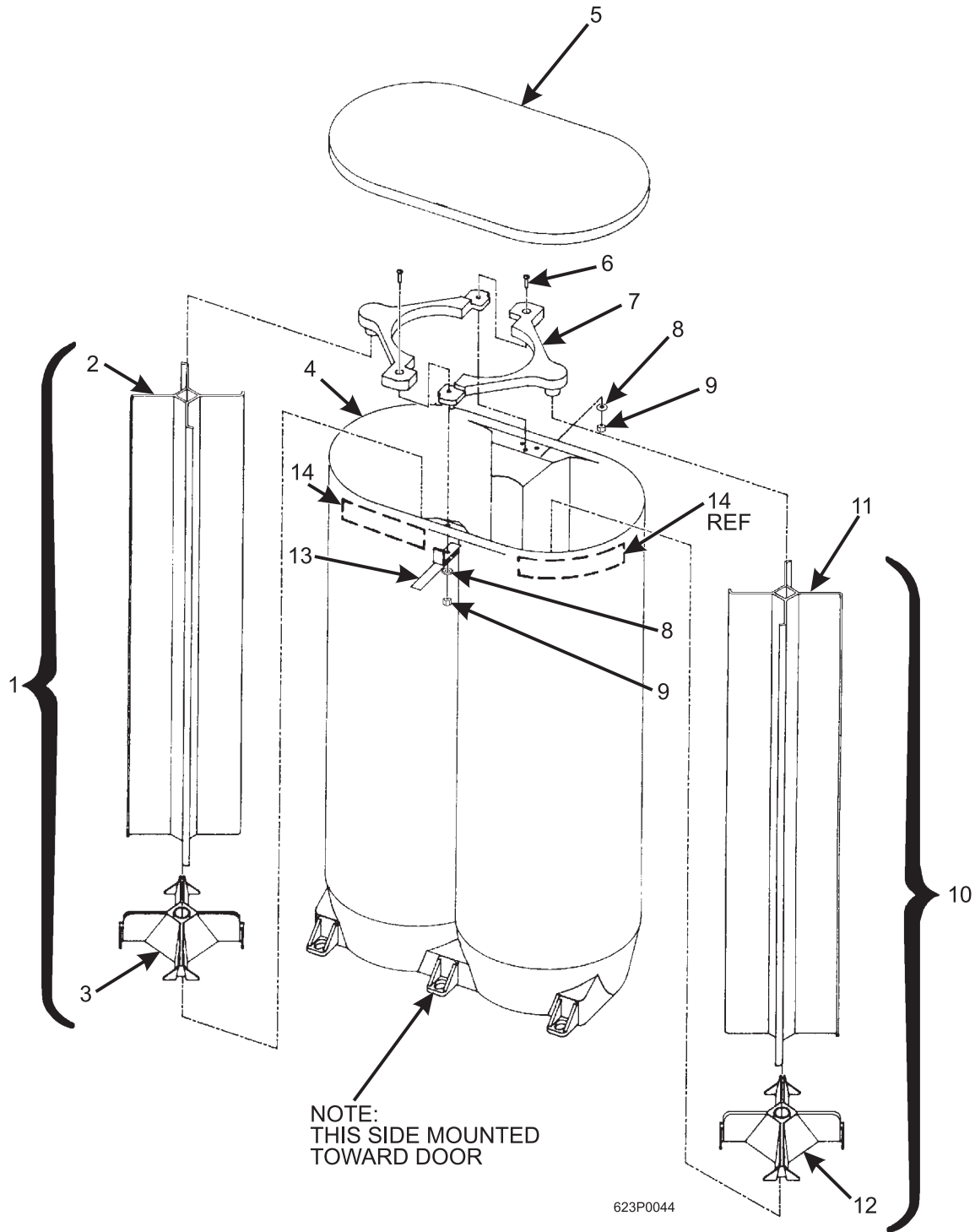


Figure 22. Turret and Canister Assembly - 7 Column

TABLE 22. TURRET AND CANISTER ASSEMBLY - 7 COLUMN

INDEX	PART NUMBER	DESCRIPTION	QTY
-	6233102	TURRET AND CANISTER ASSEMBLY - 7 COLUMN	REF
1	6233108	TURRET ASSEMBLY 1A (INCLUDES INDEX NUMBERS 2 AND 3)	1
2	6233061	TURRET CENTER	1
3	6233048	BASE - TURRET	1
4	6233092	CANISTER - CUP - 7	1
5	6233093	LID - CANISTER - 7	1
6	9900115	SCREW - #8-32 X 3	2
7	6233030	BEARING TURRET	2
8	6138181	WASHER PLATE	2
9	9900081	NUT - #8-32 KEPS	2
10	6233109	TURRET ASSEMBLY 1B (INCLUDES INDEX NUMBERS 11 AND 12)	1
11	6233061	TURRET CENTER	1
12	6233048	BASE - TURRET	1
13	6333003	STRAP - CANISTER	1
14	6233095	LABEL - FILL LINE	2

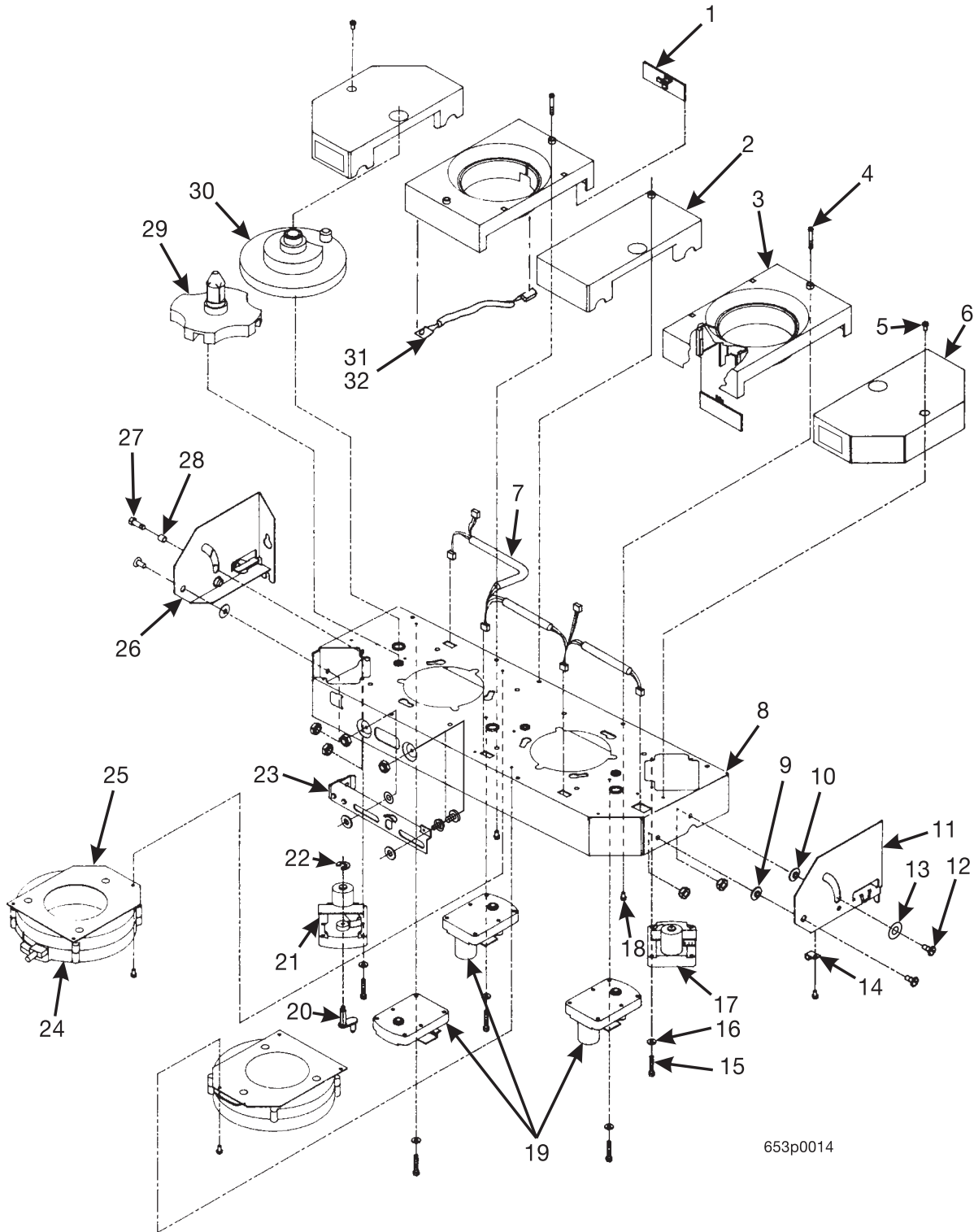


Figure 23. Mechanism Assembly

TABLE 23. MECHANISM ASSEMBLY

INDEX	PART NUMBER	DESCRIPTION	QTY
-	6233101	MECHANISM ASSEMBLY - 11 COLUMN	REF
1	6233105	PCB ASSEMBLY - DETECTOR - CUP SENSOR	2
2	6233082	COVER - CENTER - MOTOR	1
3	6233104	COVER AND LED ASSEMBLY	2
4	6233077	BOLT - #1/4 X 20 X 2.38 HHS	2
5	1451097	SCREW - #8-32 X .31 HEX T.F. - BLACK	9
6	6233010	COVER - END	2
7	6239048	HARNESS - CUP MECHANISM	1
8	6233016	BASE PLATE - 11 COLUMN	1
9	4041241	NUT - 1/4 20 SELF LOCKING	8
10	6233028	BUSHING	7
11	6233019	BRACKET - MECHANISM MOUNTING - LEFT	1
12	6233021	SCREW - 1/4 X 20 X .5 HEX HD	7
13	6404034	WASHER	5
14	1452139	RETAINER HARNESS	1
15	1457027	8-32 X .81 HHSI TAPTITE	15
16	9900034	WASHER - STEEL 3/8 X .170 X .032	15
17	6233056	MOTOR AND CRANK ARM ASSEMBLY	2
18	6233065	SCREW - #8-16 X .38 PLASTIC HHS	8
19	1577035	MOTOR AND PCB ASSEMBLY	3
20	3143005	CUP RING ASSEMBLY (SEE FIGURE 24)	2
21	6233058	CRANK ARM AND ROLLER ASSEMBLY	1
22	1577035	MOTOR AND PCB ASSEMBLY	1
23	9900113	RETAINING RING - E TYPE .21	1
24	6233031	ACTUATOR ASSEMBLY - CUP RING (SEE FIGURE 25)	2
25	6233057	MOUNTING BRACKET ASSEMBLY - RIGHT (SEE FIGURE 26)	1
26	1141054	1/4 - 20 X 3/4 HEX HEAD BOLT ZIP	1
27	6233062	SPACER - .260 ID X .34OD X .312	1
28	6233014	INDEX PLATE - GENEVA	3
29	6233013	DRIVER - GENEVA	3
30	6233012	COVER - CENTER	1
31	6233106	HARNESS - CUP DETECT/LED JUMPER	1
32	6233107	PCB ASSEMBLY - LED - CUP SENSOR	1
-	4733035	SPRING - CUP RELEASE ARM (NOT SHOWN)	2

TABLE 24. CUP RING ASSEMBLY

INDEX	PART NUMBER	DESCRIPTION	QTY
-	6333008	CUP RING ASSEMBLY - UNIVERSAL	-
1	3143011	NUT #8-32 SELF LOCKING	1
2	6332052	SCREW - #8-16 X 1.25 PHS - PLASTITE	4
3	6333004	HOUSING - CUP RING	1
4	6114121	WASHER ROLLER	1
5	6333011	ADJUSTER RING - INTERNAL	1
6	3143009	SCREW #8-32 X .50 PHS W/LW	1
7	6333007	CAM & GEAR ASSEMBLY	6
8	6333006	RETAINER - CAM	6
9	6333012	CAM - CUP - UNIVERSAL	6
10	6233126	GEAR - 18 TOOTH	6
11	6233127	GEAR - 10 TOOTH	6
12	6333005	ARM - CAM	6
13	6234628	WASHER - PAPER MECH.	6
14	6333010	GEAR RING - INTERNAL	1
15	6333009	HOUSING - CUP RING	1

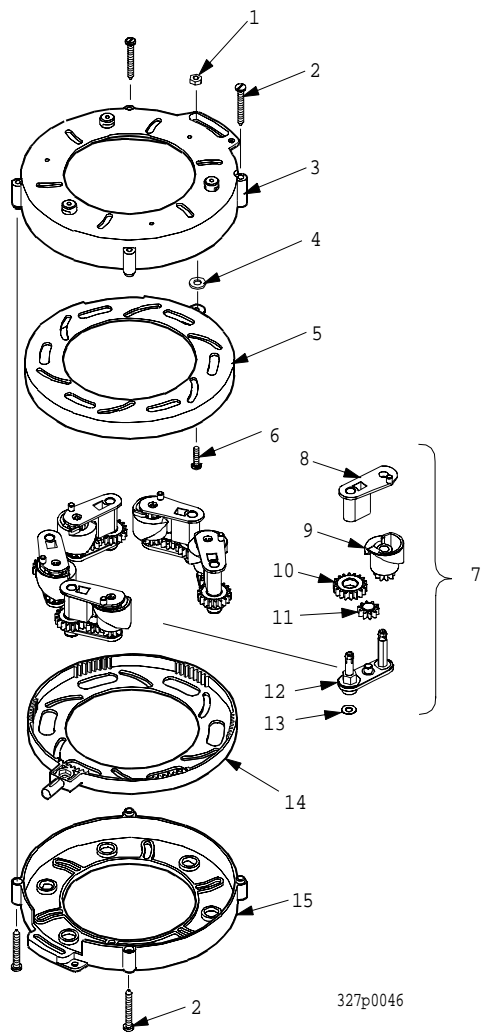


Figure 24. Cup Ring Assembly

TABLE 25. ACTUATOR ASSEMBLY - CUP RING

INDEX	PART NUMBER	DESCRIPTION	QTY
	6233031	ACTUATOR ASSEMBLY - CUP RING	REF
1	1451097	SCREW - #8-32 X .31 HEX HD T.F. - BLACK	2
2	6233040	RAMP - ACTUATOR	1
3	6233009	CAM - ACTUATOR	1
4	6233032	ACTUATOR - CUP RING	1

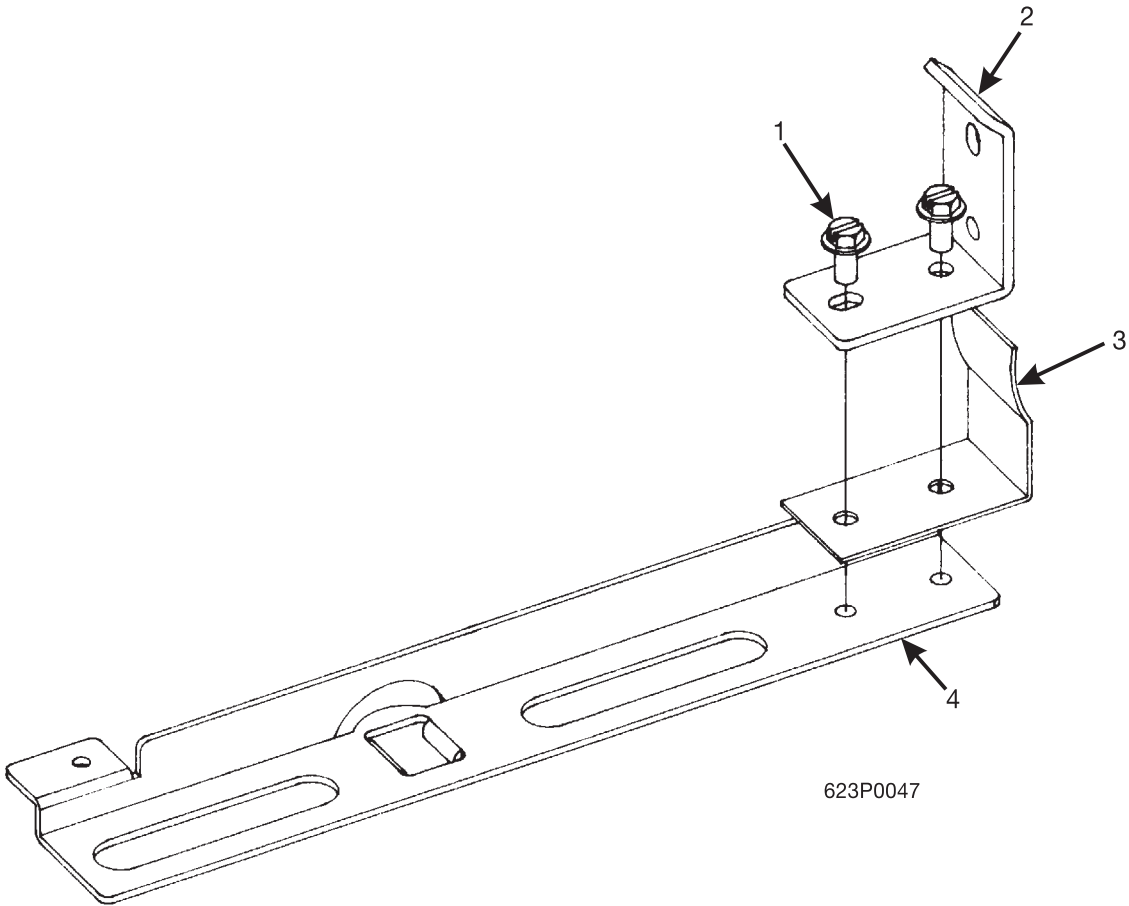


Figure 25. Actuator Assembly - Cup Ring

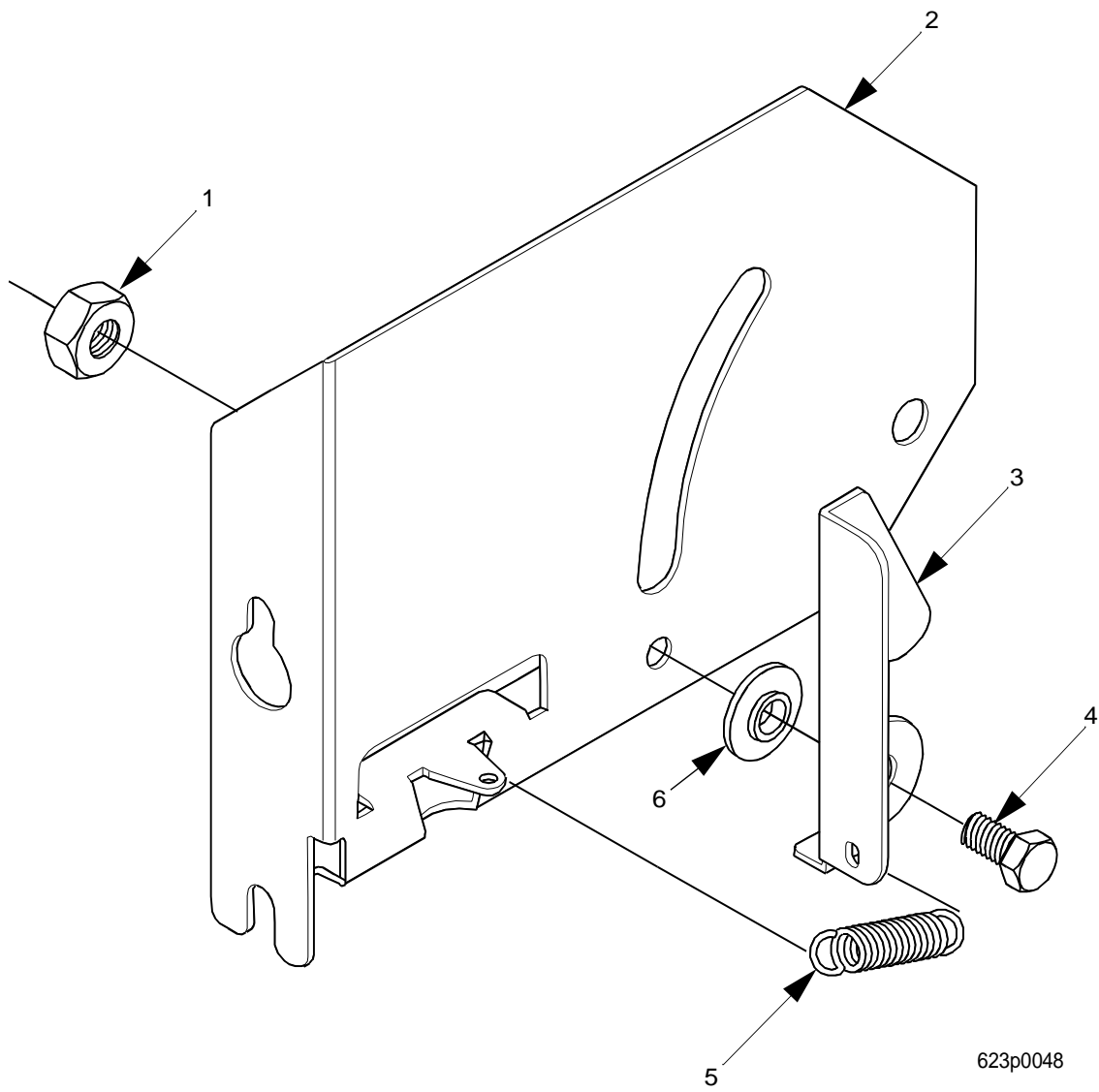


Figure 26. Mounting Bracket Assembly - Right

TABLE 26. MOUNTING BRACKET ASSEMBLY - RIGHT

INDEX	PART NUMBER	DESCRIPTION	QTY
-	6233057	MOUNTING BRACKET ASSEMBLY - RIGHT	REF
1	4041241	NUT - 1/4 20 SELF LOCKING	1
2	6233018	BRACKET - MECH MOUNTING - RIGHT	1
3	6233037	LATCH	1
4	6233021	SCREW -1 1/4 X 20 X .5 HEX HD	1
5	2301057	SPRING ELEVATOR STOP	1
6	6233028	BUSHING	1

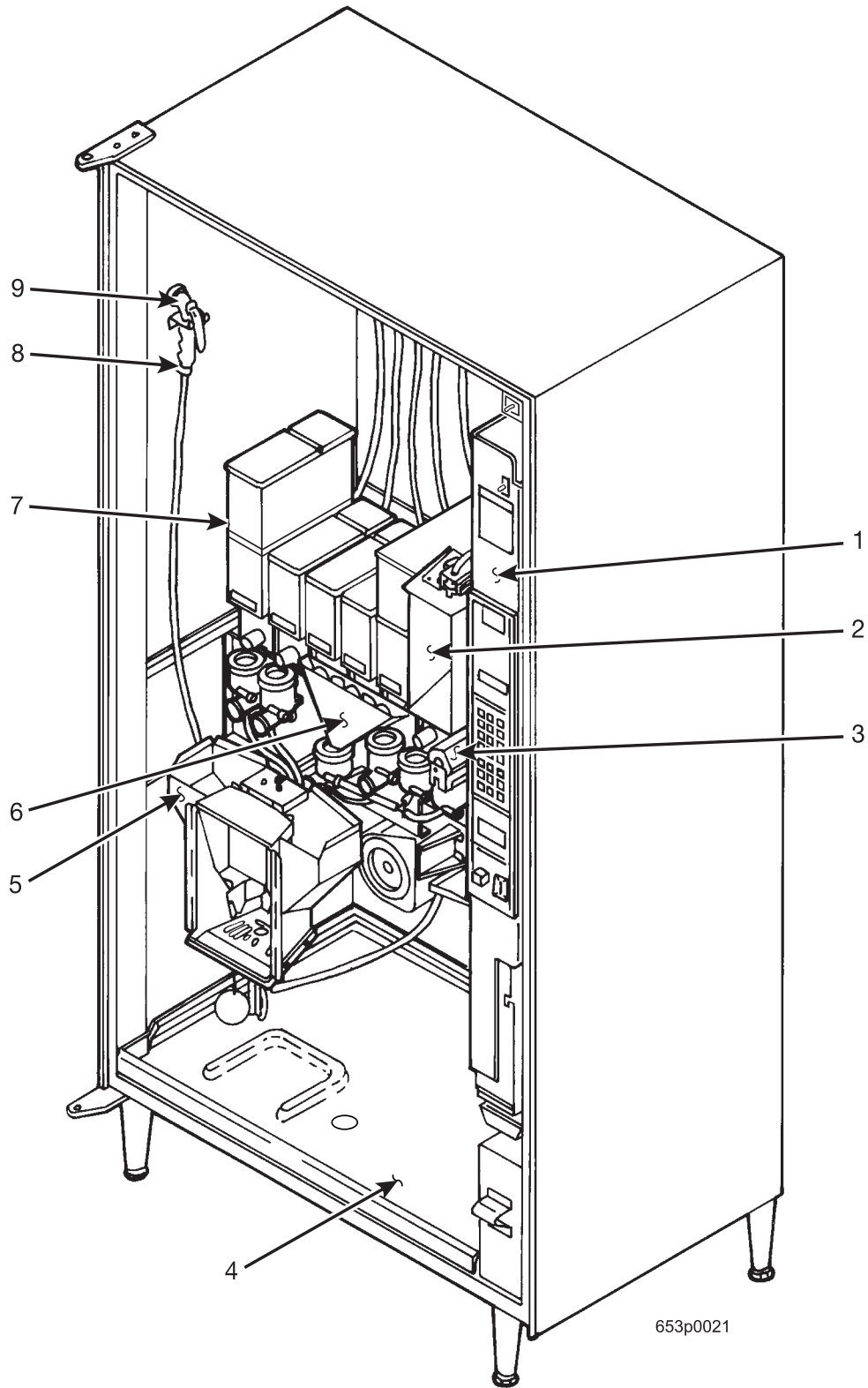


Figure 27. Cabinet Assembly - Outer Layer

TABLE 27. CABINET ASSEMBLY - OUTER LAYER

INDEX	PART NUMBER	DESCRIPTION	QTY
1	-	MONETARY PANEL ASSEMBLY (SEE FIGURE 37)	-
2	-	BEAN WINDOW ASSEMBLIES (MODEL 657 ONLY) (SEE FIGURE 66)	OPT
3	-	BEAN GRINDER ASSEMBLY (MODEL 657 ONLY) (SEE FIGURE 78)	OPT
4	6231476	LINER - FLOOR	1
5	-	CUP DELIVERY ASSEMBLY (SEE FIGURE 31)	1
6	-	PRODUCT AND CONDIMENT CHUTES (SEE FIGURE 84)	-
7	-	INGREDIENT CANISTER ASSEMBLIES (SEE FIGURE 69)	-
8	6238051	FITTING - SPRAY HOSE	1
9	6238050	SPRAY HEAD	1
-	6201025	WASTE BUCKET (NOT SHOWN)	1
-	7851006	BUCKET - GROUNDS - SHORT (NOT SHOWN)	1
-	6231230	BRUSH - 1/2" DIAMETER (NOT SHOWN)	1
-	6231231	BRUSH - 1 1/4" DIAMETER (NOT SHOWN)	1
-	1571029	MONEY BOX ASSEMBLY (NOT SHOWN)	1

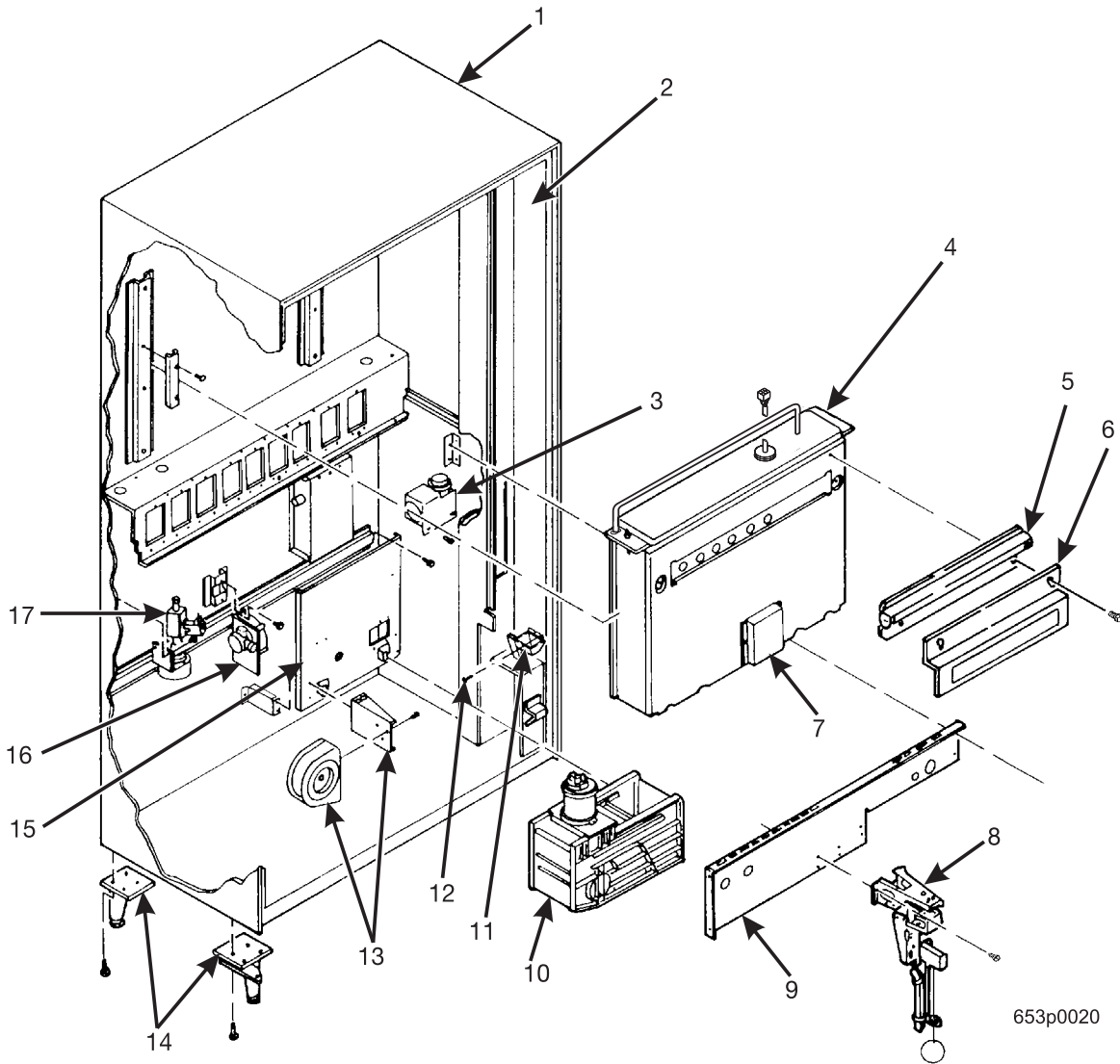
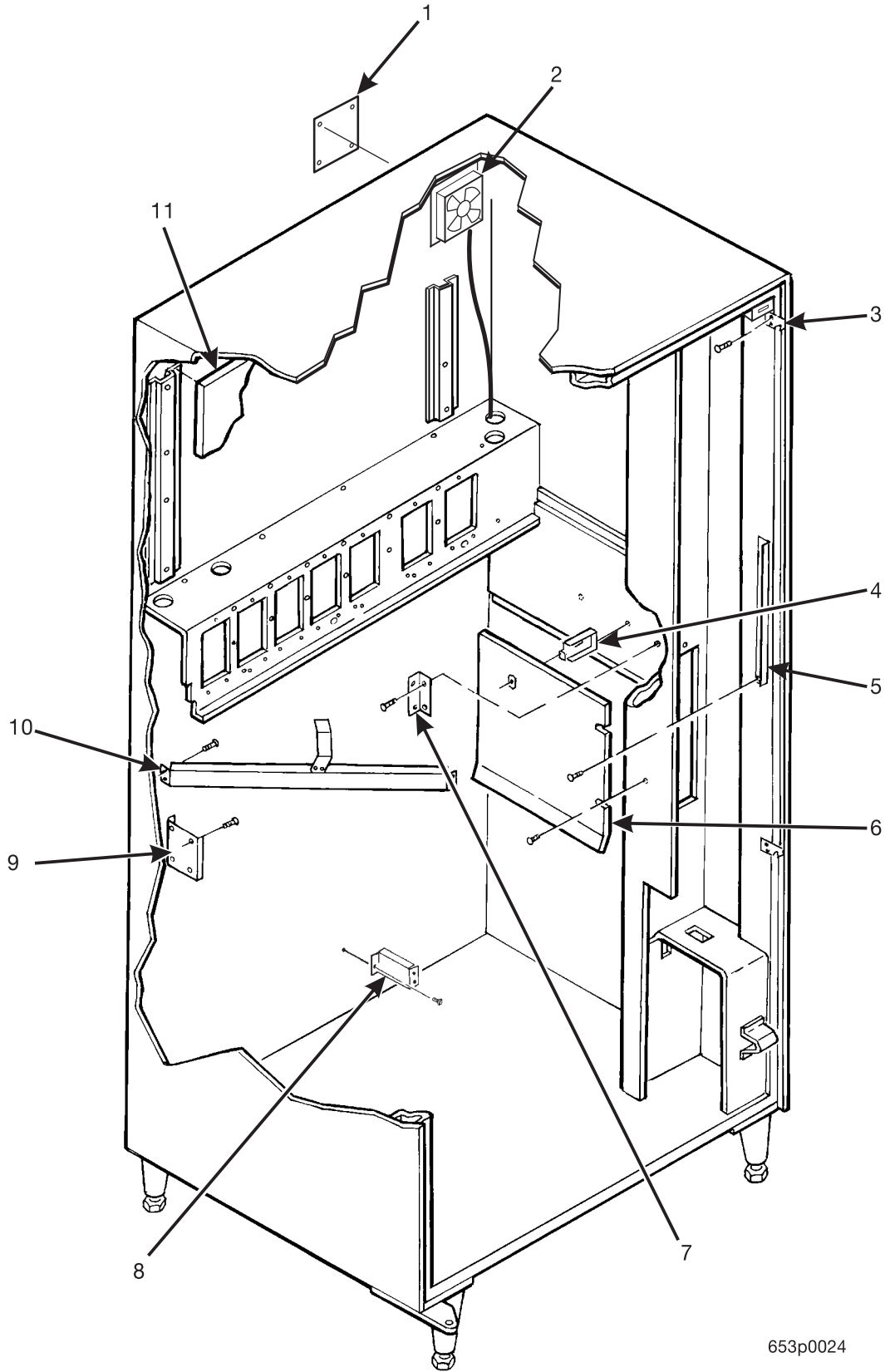


Figure 28. Cabinet Assembly - Inner Layer

TABLE 28. CABINET ASSEMBLY - INNER LAYER

INDEX	PART NUMBER	DESCRIPTION	QTY
1	6551011	CABINET WELD ASSEMBLY - N.V. BLACK	1
	6331062	CABINET WELD ASSEMBLY - MILLENNIA GRAY	
2	-	MONETARY CHANNEL ASSEMBLY (SEE FIGURE 42)	1
3	-	AIR COMPRESSOR (SEE FIGURE 36)	1
4	-	WATER TANK ASSEMBLY (SEE FIGURE 64)	1
5	-	SERVICE LIGHT AND BRACKET ASSEMBLY (SEE FIGURE 35)	1
6	6338058	COVER - HOT WATER VALVES (U.S.)	1
7	6238104	COVER - HEATER - WATER TANK	1
8	-	CUP STATION SUPPORT, OVERFLOW SWITCH AND CUP SENSOR (SEE FIGURE 32)	
9	-	CANISTER SUPPORT CHANNEL (SEE FIGURE 79)	
10	6234010	SINGLE BREWER ASSEMBLY (WITHOUT FILTER) (SEE FIGURE 44)	1 (OPT)
	6234000	SINGLE BREWER ASSEMBLY (WITH FILTER) (SEE FIGURE 45)	
	6234917	DUAL BREWER ASSEMBLY (WITHOUT FILTER) (SEE FIGURE 46)	
	6234900	DUAL BREWER ASSEMBLY (WITH FILTER) (SEE FIGURE 47)	
11	6231242	CHUTE - PAYOUT	1
12	-	MOUNTING HARDWARE	2
13	-	FILTER PAPER HOUSING COVER (SEE FIGURE 34)	(OPT)
14	-	LEG, LEVELER, AND LEG AND HINGE ASSEMBLIES (SEE FIGURE 30)	
15	-	BREWER DRIVE ASSEMBLY (SEE FIGURE 54)	1
16	-	VENILATION ASSEMBLY (SEE FIGURE 56)	
17	-	WATER SUPPLY (SEE FIGURE 60) (SEE FIGURE 61) (SEE FIGURE 62)	
-	6551007	PHOTO P.O.P. - CABINET - NESTLÉ USA (ADHERED TO SIDE OF CABINET) (NOT SHOWN)	2



653p0024

Figure 29. Cabinet Assembly - Miscellaneous Mounted Parts

TABLE 29. CABINET ASSEMBLY - MISCELLANEOUS MOUNTED PARTS

INDEX	PART NUMBER	DESCRIPTION	QTY
-	6231528	SCREEN - EXHAUST FAN (WITH FAN OPTION) (NOT SHOWN)	(OPT)
-	6339000	HARNESS - INTERLOCK TO EXHAUST (WITH FAN OPTION) (NOT SHOWN)	(OPT)
1	6231529	COVER - EXHAUST FAN (WITHOUT FAN OPTION)	(OPT)
2	6231526	EXHAUST FAN - 115V (WITH FAN OPTION)	1
3	1571074	LOCK ARM - CABINET	2
4	6231143	BRACKET - POWER PANEL RETAINER	1
5	1571022	STOP - MONETARY PANEL	1
6	6231138	WATER SHIELD	1
7	6231033	BRACKET - CANISTER SUPPORT	1
8	6234516	BRACKET - MOUNTING PLATE (WITH BREW MODES ONLY)	2
9	6231142	PLATE - WATER FILTER (WITH WATER FILTER OPTION)	(OPT)
10	6331009	BRACE - CANISTER SUPPORT	1
11	6238138	INSULATION - BACK - HOT WATER TANK	1

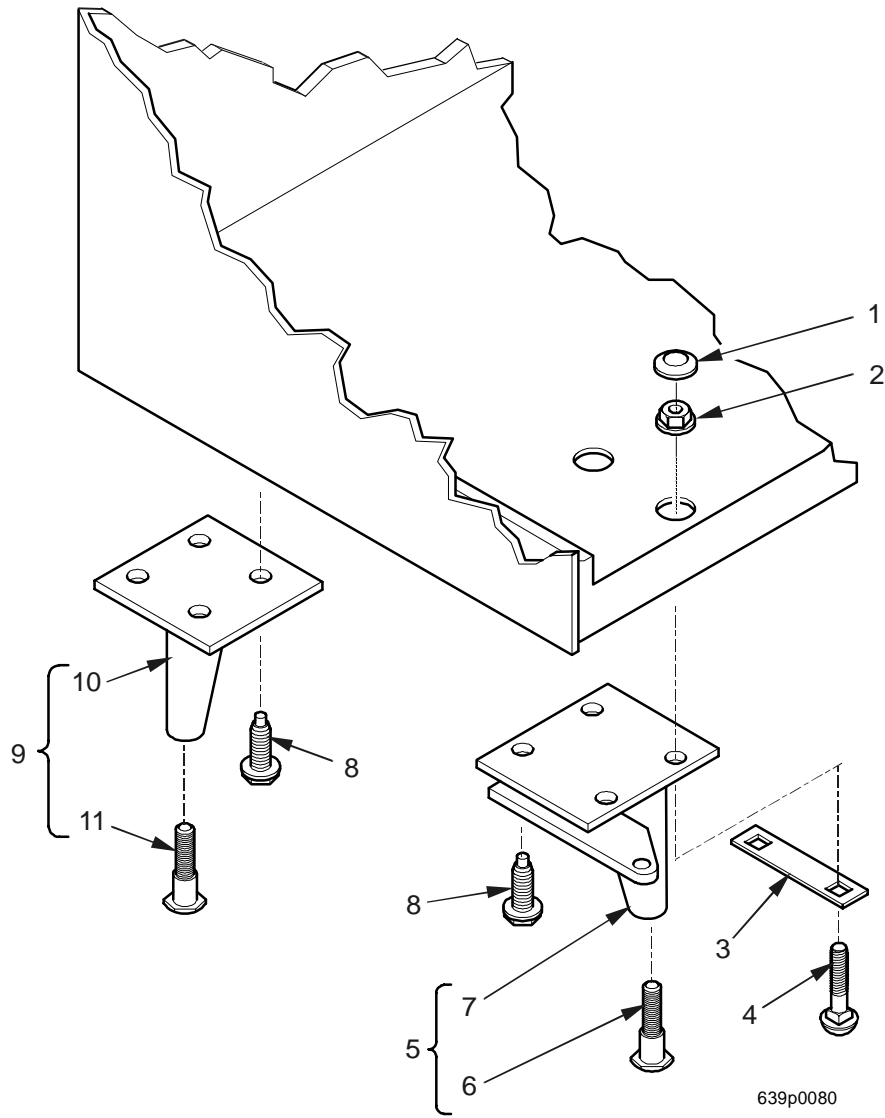


Figure 30. Leg, Leveler, and Leg and Hinge Assemblies

TABLE 30. LEG, LEVELER, AND LEG AND HINGE ASSEMBLIES

INDEX	PART NUMBER	DESCRIPTION	QTY
1	6231034	PLUG - HOLE (NOT USED IN ALL APPLICATIONS)	2
2	1172021	NUT - 1/4-20 WHIZ-LOCK	2
3	6231203	PLATE - HINGE LEG BOLT	1
4	1211112	TRAY BOLT	2
5	6231163	LEG, HINGE, AND LEVELER ASSEMBLY	1
6	1471098	LEVELER - CABINET	1
7	1571115	LEG AND HINGE ASSEMBLY	1
8	9900218	SCREW - # 5/16 X 1 W/LOCKING RING	14
9	1471237	LEG AND LEVELER ASSEMBLY - CABINET	3
10	1571127	LEG ASSEMBLY - CABINET	1
11	1471098	LEVELER - CABINET	1

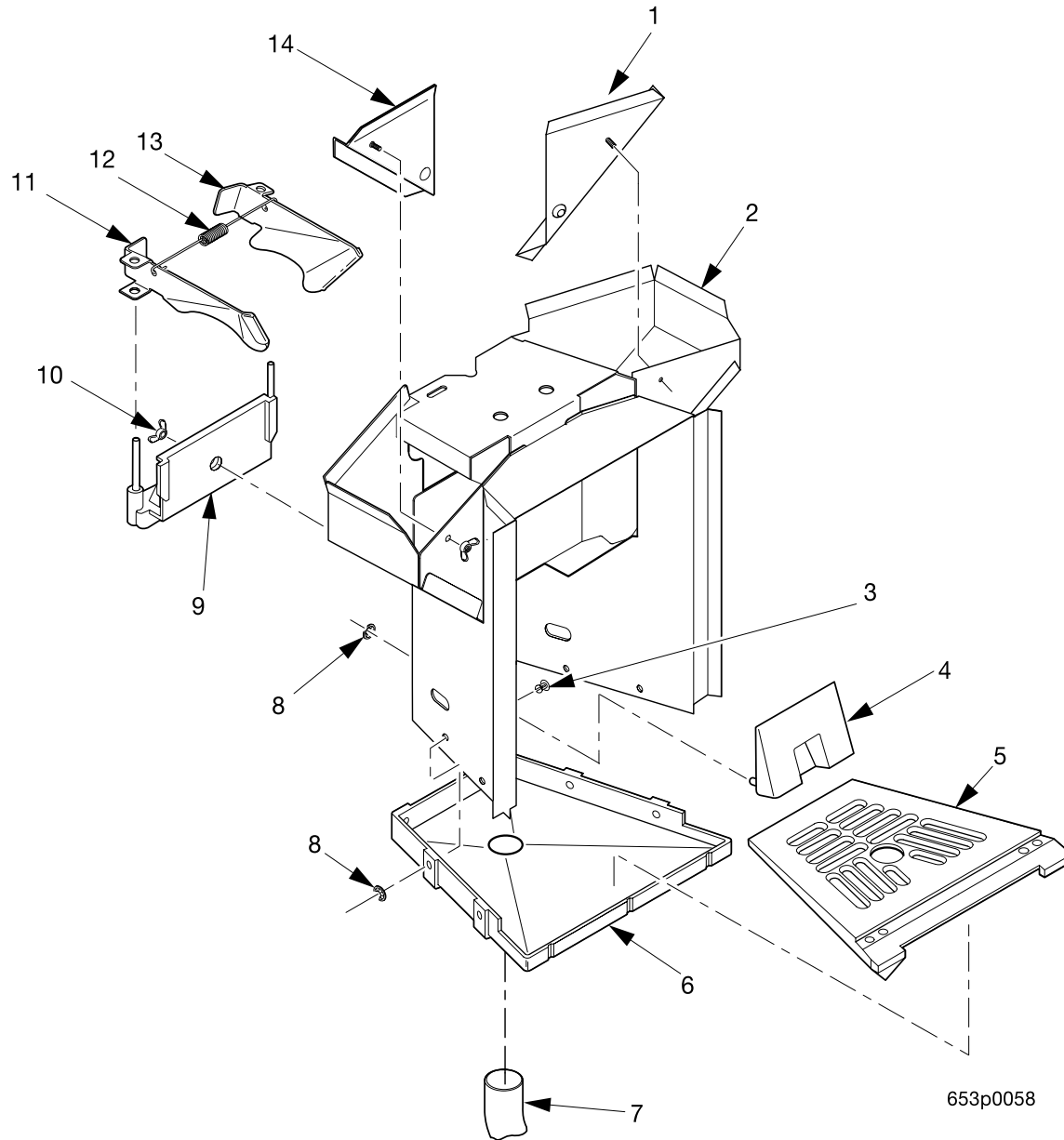
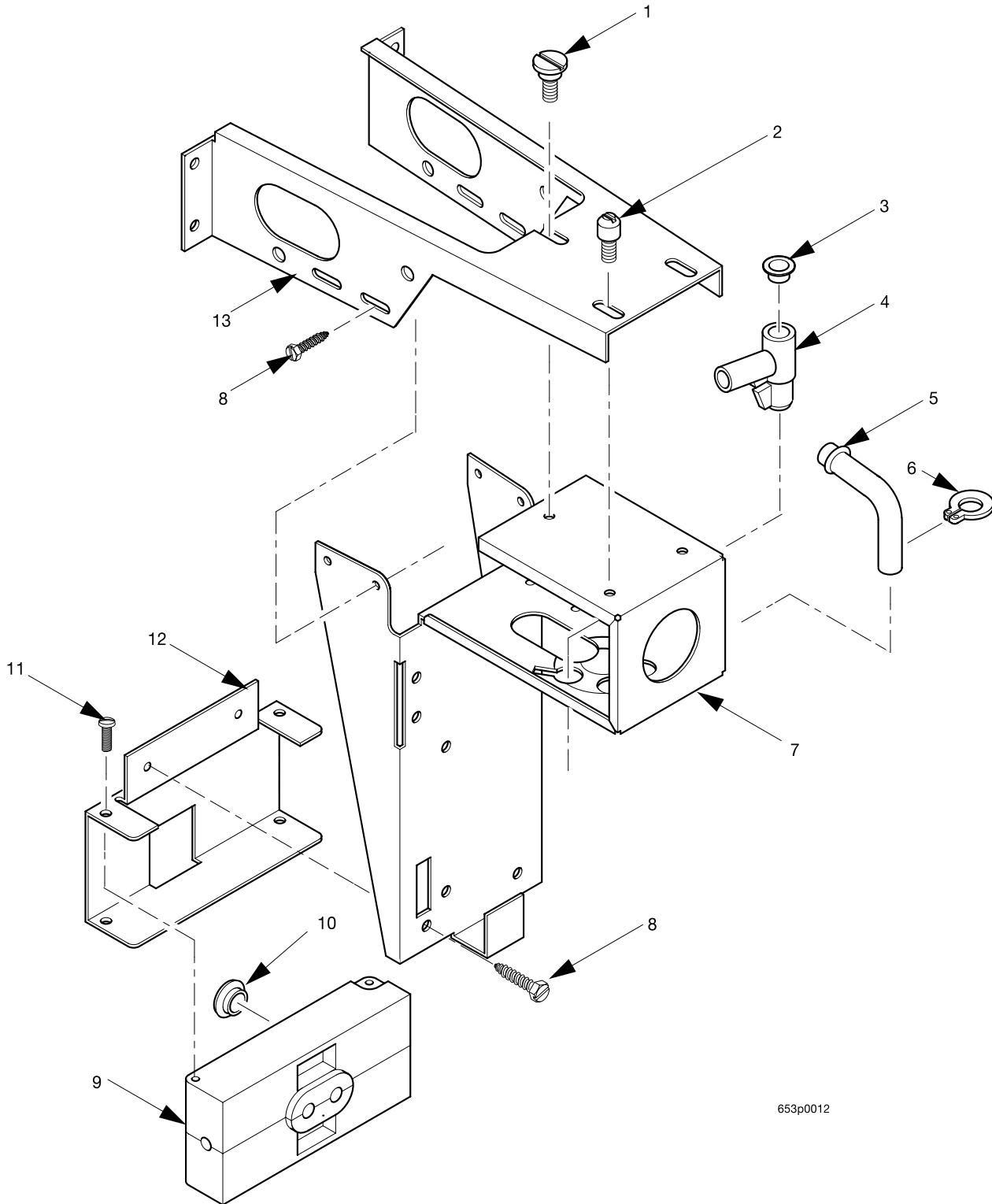


Figure 31. Cup Delivery Assembly

TABLE 31. CUP DELIVERY ASSEMBLY

INDEX	PART NUMBER	DESCRIPTION	QTY
-	6231544	CUP DELIVERY ASSEMBLY - SV	1
1	6231413	CHUTE ADAPTER ASSEMBLY - RIGHT (ARG./AUS./BRZ./FR./MEX./N.Z./S.A./SP./U.K./U.S.)	1
2	6231545	WELD ASSEMBLY - CUP DELIVERY - SV	1
3	6231492	PUSH-IN FASTENER	6
4	6231443	CUP SPACER/SENSOR LENS	1
5	6231432	DRAIN TRAY	1
6	6231489	BASE - CUP DELIVERY STATION	1
7	6231430	TUBE - DRAIN	1
8	6231431	RETAINER - .188	10
9	6231488	MOUNTING ASSEMBLY - CUP DEFLECTOR	1
10	3103133	WING NUT - #8-32 STAINLESS	1
11	6231438	CUP DEFLECTOR - R.H.	1
12	6231495	SPRING - CUP DEFLECTOR	1
13	6231439	CUP DEFLECTOR - L.H.	1
14	6231411	CHUTE ADAPTER ASSEMBLY - LEFT (ARG./AUS./BRZ./FR./MEX./N.Z./S.A./SP./U.K./U.S.)	1

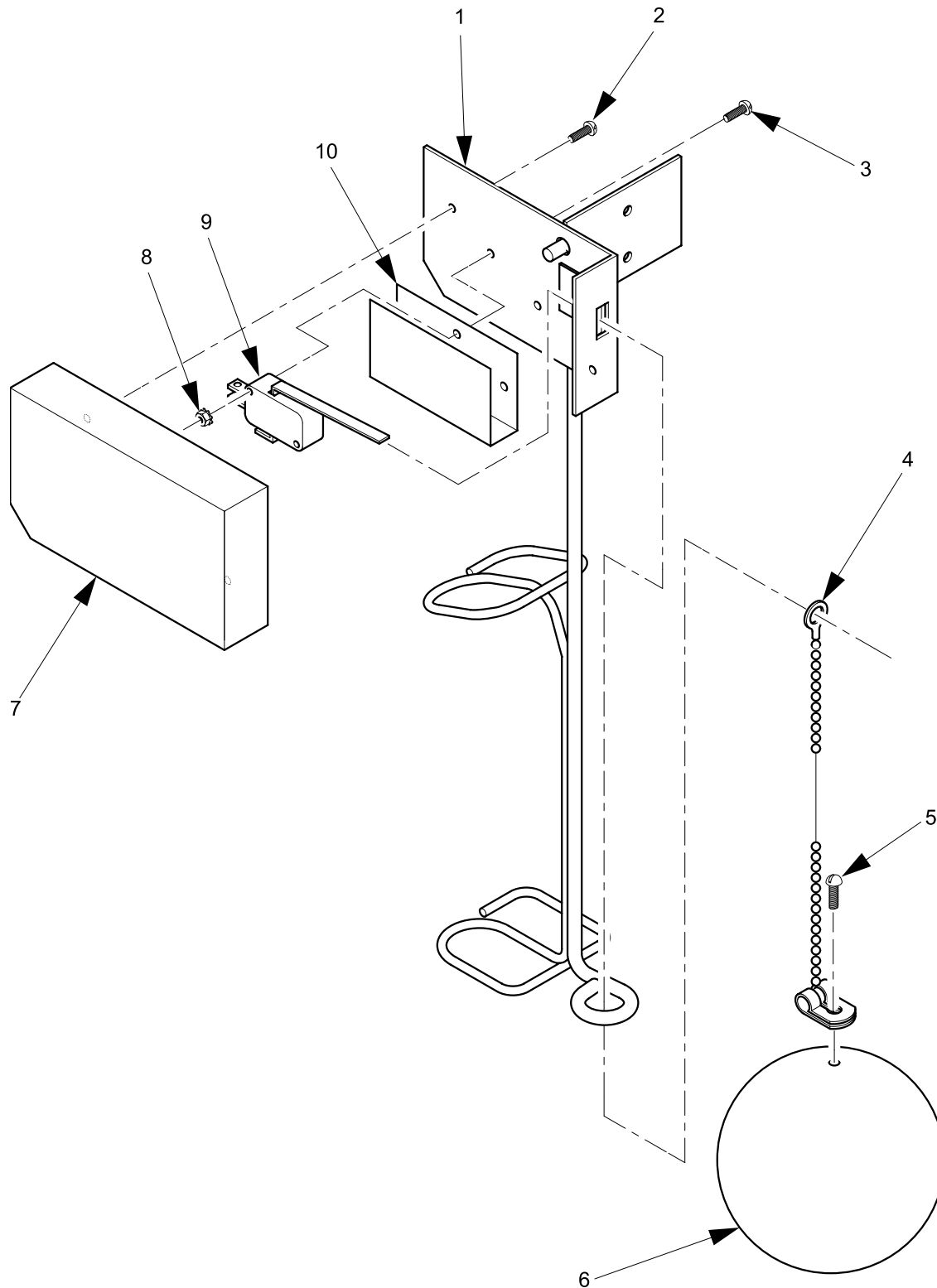


653p0012

Figure 32. Cup Station Support, Overflow Switch, and Cup Sensor

TABLE 32. CUP STATION SUPPORT, OVERFLOW SWITCH, AND CUP SENSOR

INDEX	PART NUMBER	DESCRIPTION	QTY
1	4247204	STUD - STORAGE TRAY	1
2	4041102	STUD - COLUMN LOCATOR	1
3	4711020	CAPLUG - SPOUT	-
4	6117010	SPOUT - DISPENSING	-
5	6558006	DISPENSING NOZZLE	1
6	6407030	RETAINING RING	2
7	6551006	CUP STATION SUPPORT	1
8	1451097	SCREW - #8-32 X .31 HEX HD	2
9	6231537	SENSOR - ASSEMBLY - MUG	1
10	9989641	CAPLUG - 3/8" - FLUSH TYPE	1
11	2226380	SCREW - #6 - 19 X .38 PHS T/C	1
12	6231539	BRACKET - CUP SENSOR	1
13	6398136	SUPPORT - CUP STATION - EUROTWIN	1



630p004

Figure 33. Overflow Switch Assembly

TABLE 33. OVERFLOW SWITCH ASSEMBLY

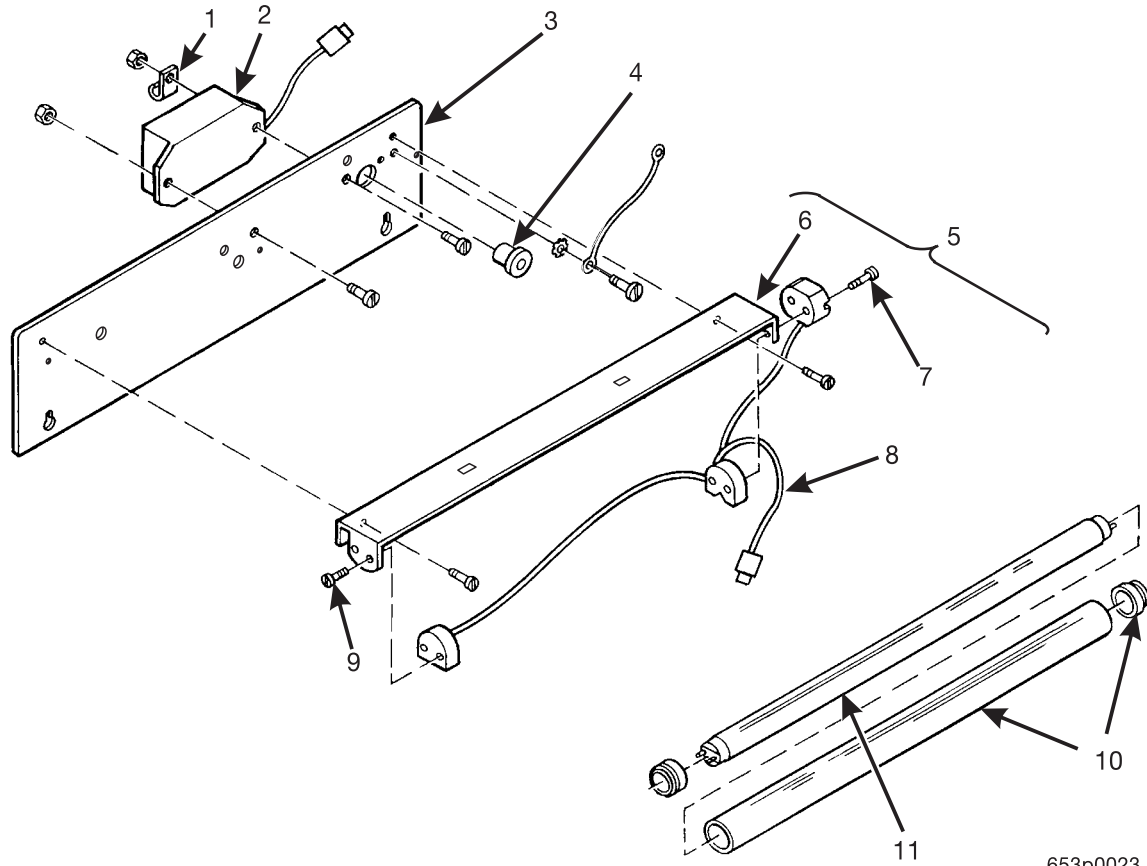
INDEX	PART NUMBER	DESCRIPTION	QTY
-	6231223	OVERFLOW SWITCH ASSEMBLY (INDEX NUMBERS 3 AND 7 NOT INCLUDED)	REF
1	6231507	BRACKET ASSEMBLY - OVERFLOW SWITCH	1
2	9900012	SCREW - #6-32 X 1/4 THS S/T	2
3	1217160	SCREW - 4-40 X 5/8 RHS	2
4	6151131	CHAIN - OVERFLOW SWITCH	1
5	4047054	SCREW - #8-18 X 1/2 RHS T/C	2
6	3116127	FLOAT - OVERFLOW SWITCH	1
7	6231135	COVER - OVERFLOW SWITCH	1
8	3116127	NUT - 4-40 KEPS W/EXT L/WASHER	2
9	2304108	SWITCH LEVER V3L -131-D8	1
10	3121150	INSULATION - OVERFLOW SWITCH	1



Figure 34. Filter Paper Housing and Cover

TABLE 34. FILTER PAPER HOUSING AND COVER

INDEX	PART NUMBER	DESCRIPTION	QTY
-	6234622	PAPER ROLL ASSEMBLY (INCLUDES INDEX NUMBER 1, 2, 3, AND 5)	1
1	6234625	BRACKET - PAPER ROLL	1
2	9900020	SCREW - #8-32 X 1/2 RHS MACH. ZINC	3
3	9900081	NUT - #8-32 KEPS ZINC PLATE	3
4	6154238	COVER ASSEMBLY - FILTER PAPER HOUSING	1
5	6234630	HOUSING ASSEMBLY - FILTER PAPER	1
*	P6104459	FILTER PAPER PACKAGE ASSEMBLY	*



653p0023

Figure 35. Service Light/Bracket Assembly - U.S.

TABLE 35. SERVICE LIGHT/BRACKET ASSEMBLY - U.S.

INDEX	PART NUMBER	DESCRIPTION	QTY
-	6231372	SERVICE LIGHT/BRACKER ASSEMBLY - 115V	1
1	1452139	RETAINER - HARNESS	1
2	3151058	BALLAST ASSEMBLY	1
3	6231559	BRACKET - SERVICE LIGHT	1
4	3106154	BUSHING - #SB875	1
5	6231232	LIGHT ASSEMBLY - FLUORESCENT (INCLUDES INDEX NUMBERS 6-9)	1
6	2272036	BRACKER - LOWER LIGHT	1
7	3107171	SCREW - #4-36 X 5/8	2
8	2346016	HARNESS - FLUORESCENT LIGHT	1
9	1452076	SCREW - #4-36 X .437	2
10	6232305	LAMP SLEEVE AND END CAPS ASSEMBLY	1
11	2222096	FLUORESCENT LAMP	1

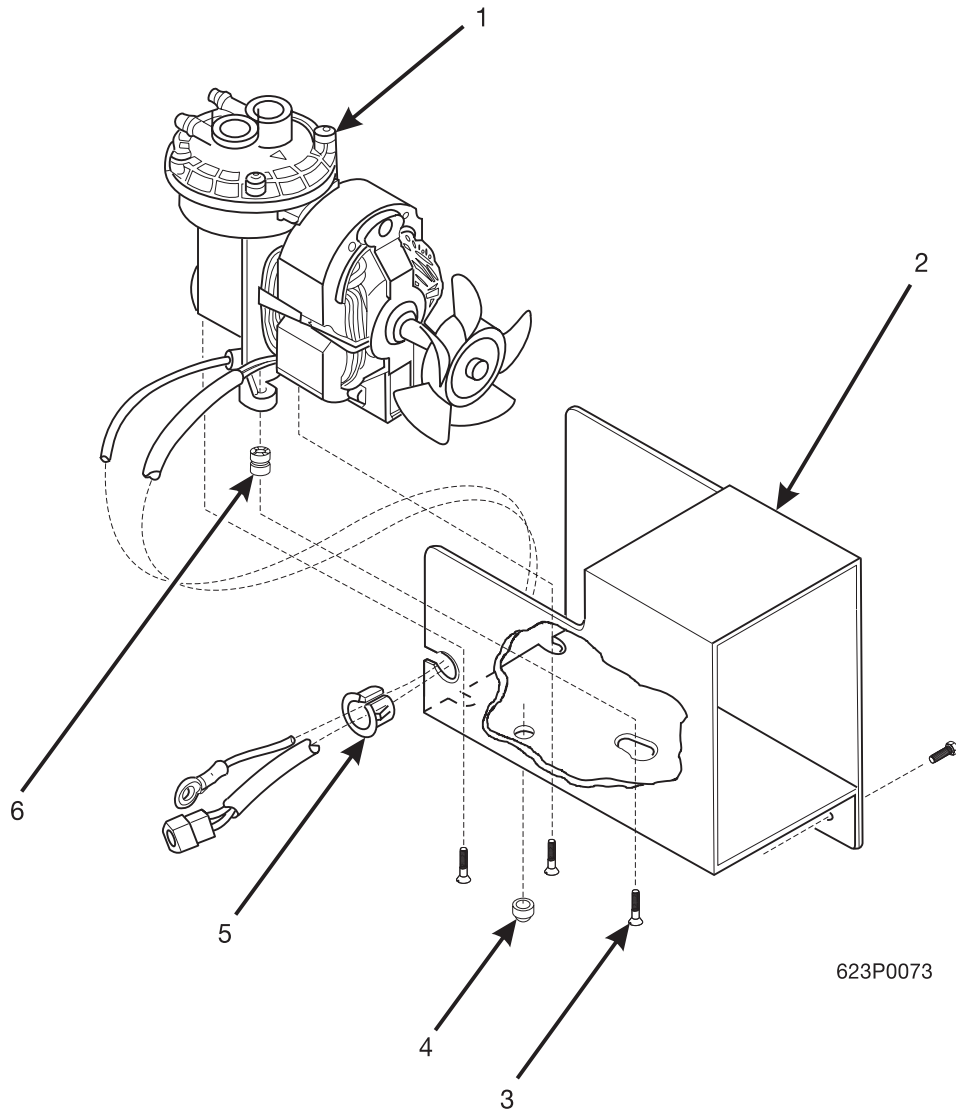


Figure 36. Air Compressor Assembly - U.S.

TABLE 36. AIR COMPRESSOR ASSEMBLY - U.S.

INDEX	PART NUMBER	DESCRIPTION	QTY
-	6234357	AIR COMPRESSOR ASSEMBLY (INCLUDES INDEX NUMBERS 2 THROUGH 7)	1
1	6234359	AIR COMPRESSOR - BREWER	1
2	6231210	SUPPORT - COMPRESSOR	1
3	6231178	SHOULDER SCREW	3
4	6231319	BUMPER - PLUG	1
5	3502097	BUSHING #OCB-500	1
6	6237205	VIBRATION ISOLATOR - .250 DIAMETER	3

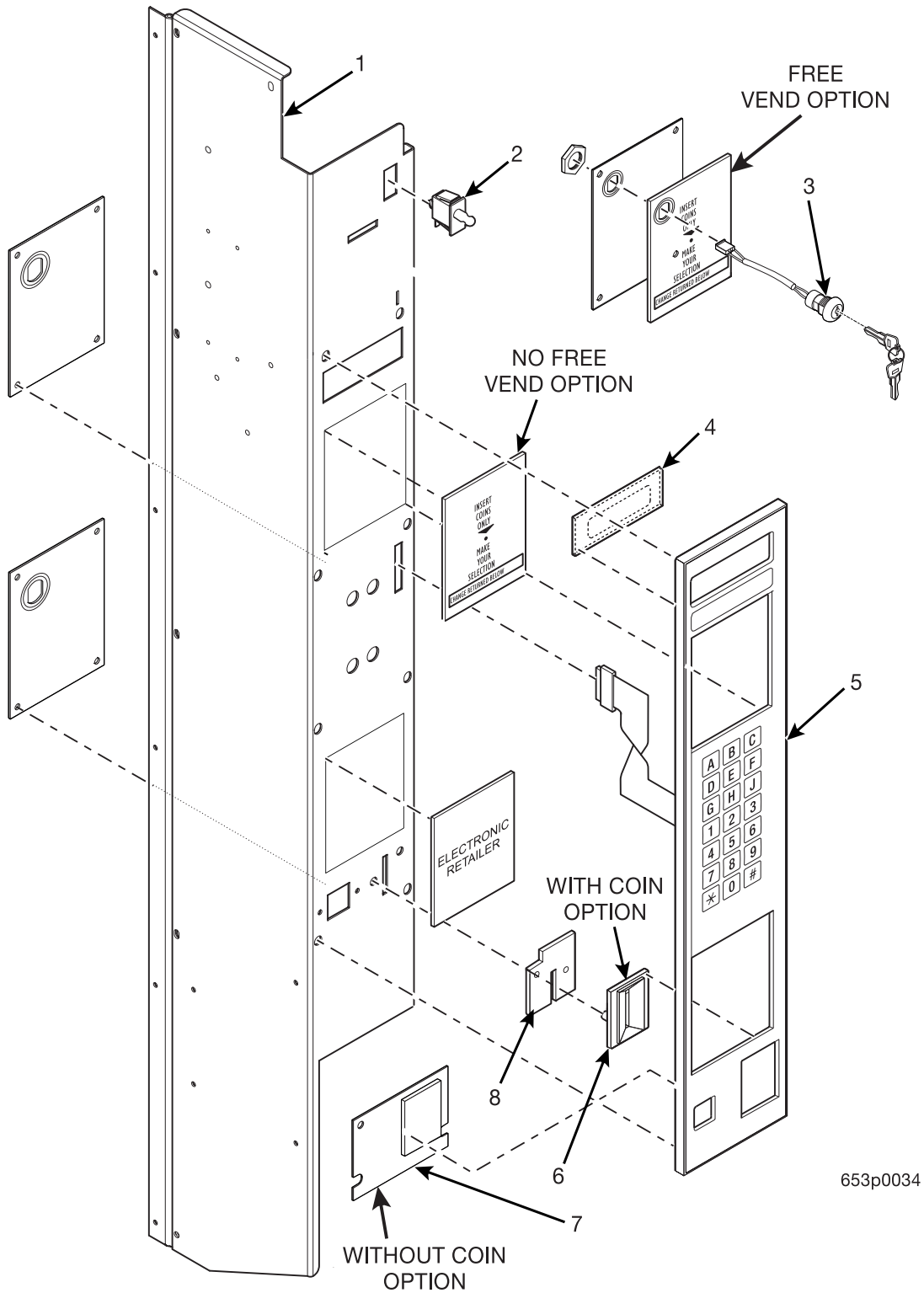


Figure 37. Monetary Panel Assembly (Part 1 of 3)

TABLE 37. MONETARY PANEL ASSEMBLY (PART 1 OF 3)

INDEX	PART NUMBER	DESCRIPTION	QTY
1	1575094	MONETARY PANEL WELD ASSEMBLY - NV BLACK	1
2	141110	SWITCH SERVICE	1
3	9989639	SWITCH ASSEMBLY - FREE VEND	1
4	1572013	LENS - DISPLAY	1
5	3635015	FACEPLATE ASSEMBLY (WITH COIN OPTION)	1
6	1472223	COIN INSERT (WITH COIN OPTION)	1
7	-	LOWER MONETARY POSITION	-
8	1472222	COIN BLOCK	1

SOME OF THE FOLLOWING ITEMS ARE INCLUDED WITH THE APPROPRIATE FREE VEND OPTIONS (NOT SHOWN):

1575012	INSERT-INSTR-COINS/BILLS-U.S
1575013	INSERT-INSTR-COINS ONLY-ENG.
1575025	INSERT-INSTR-FREE VEND-COIN/
1575026	INSERT-INSTR-FREE VEND-COINS
1575049	INSERT-INSTRU-LOWER-UK-COINS
2342315	CLIP-WIRE HARNESS
9989639	SWITCH ASSY-FREE VEND

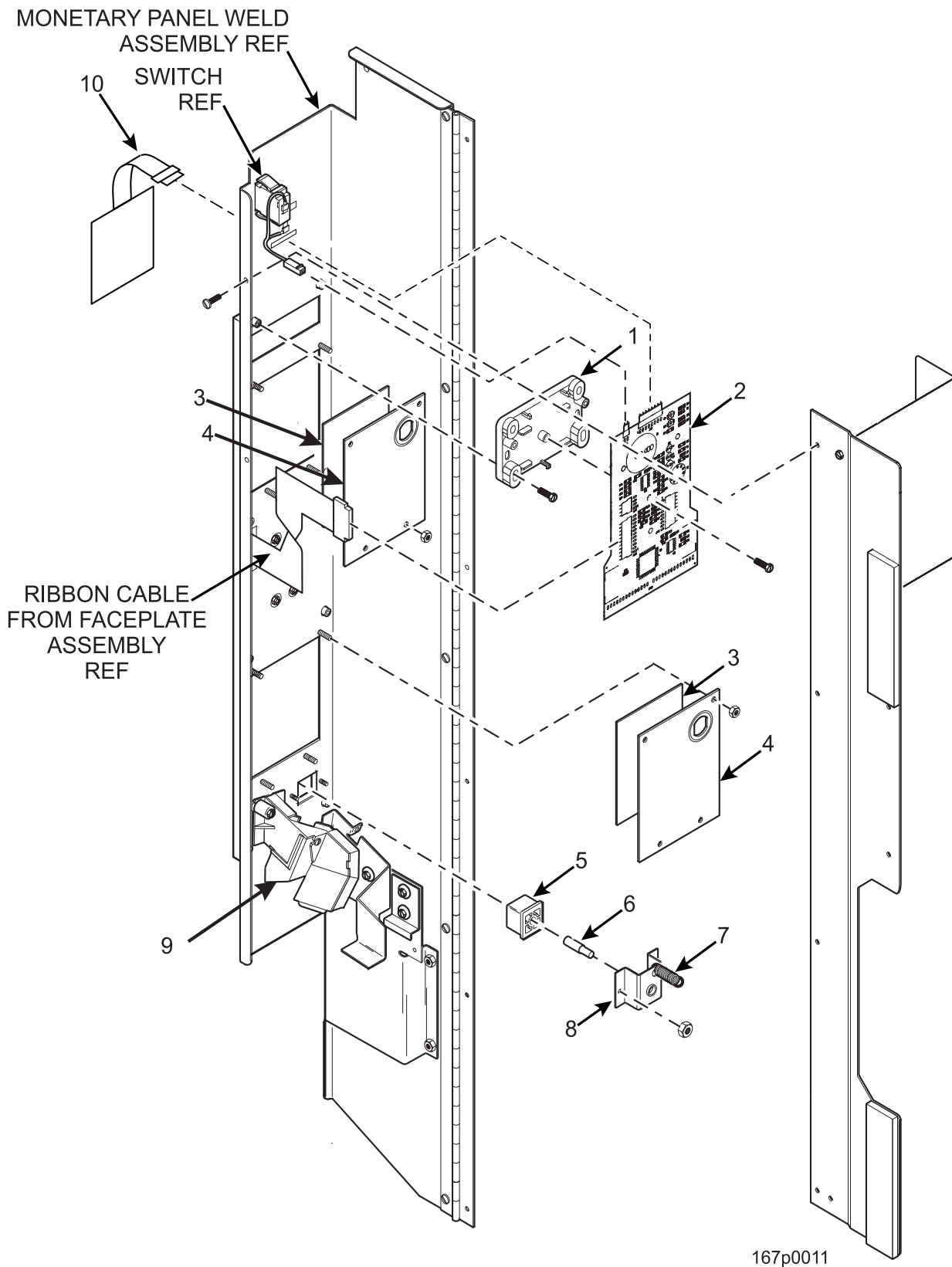


Figure 38. Monetary Panel Assembly (Part 2 of 3)

TABLE 38. MONETARY PANEL ASSEMBLY (PART 2 OF 3)

INDEX	PART NUMBER	DESCRIPTION	QTY
1	1475099	BRACKET - PCB DISPLAY	1
2	9989685	PCB ASSEMBLY - DISPLAY	1
3	-	INSERT - INSTRUCTIONS- LOWER (SEE FIGURE 40)	1
4	1575048	PLATE - INSERT BACKING	OPT.
5	1475026	BUTTON - COIN RETURN	1
6	1475072	SHAFT - RETURN BUTTON	1
7	1127808	SPRING - SHELF RESET	1
8	1571079	BRACKET - COIN RETURN BUTTON	1
9	1575003	COIN CHUTE ASSEMBLY	1
10	-	INSERT - INSTRUCTIONS - UPPER (SEE FIGURE 40)	OPT.
11	6335002	SERVICE KEYPAD ASSEMBLY	1

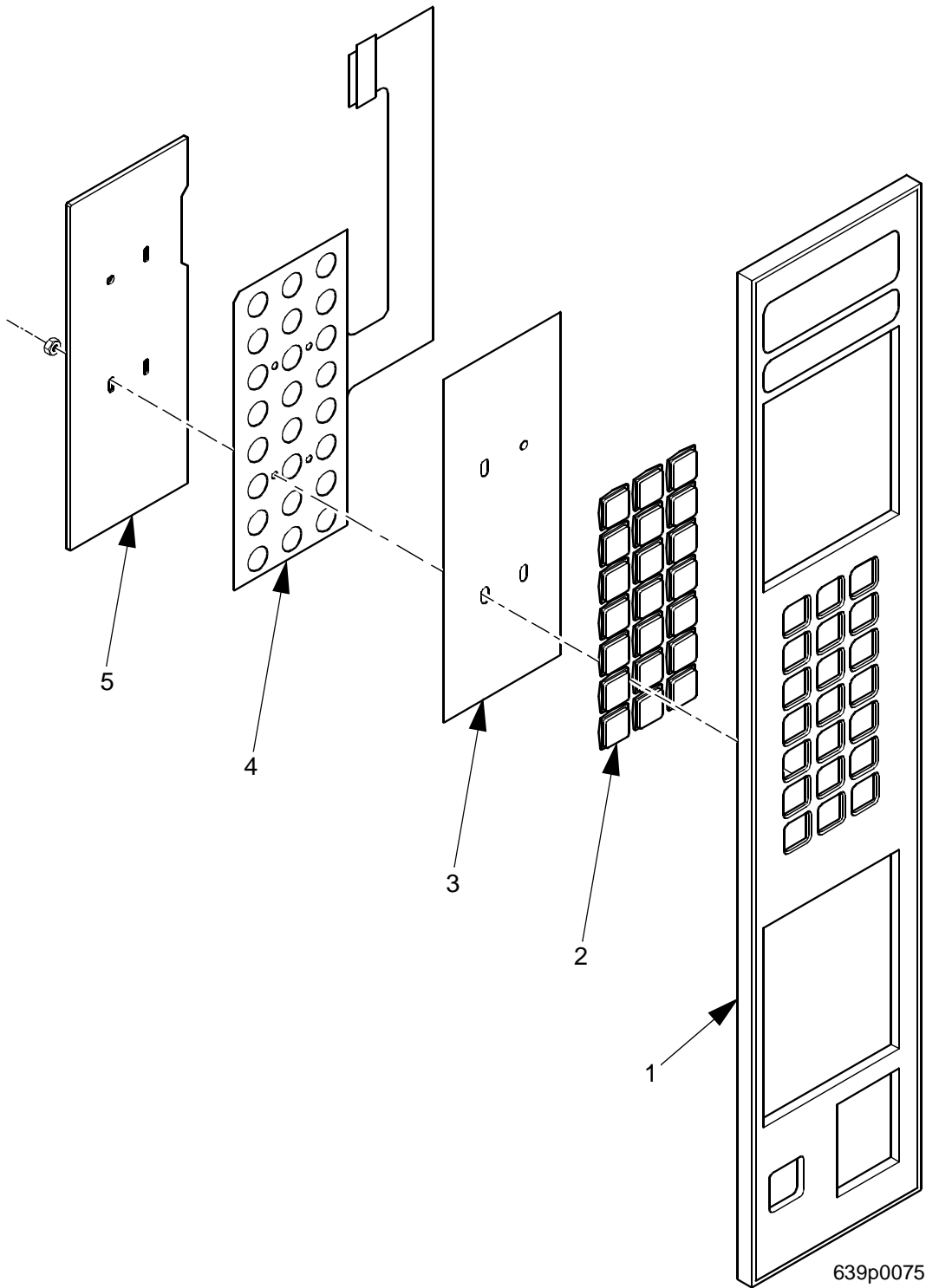
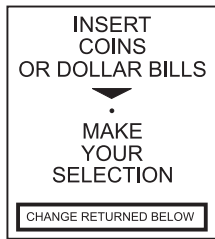


Figure 39. Monetary Panel Assembly (Part 3 of 3)

TABLE 39. MONETARY PANEL ASSEMBLY (PART 3 OF 3)

INDEX	PART NUMBER	DESCRIPTION	QTY
-	1575098	FACE PLATE ASSEMBLY - WITH COIN	-
	1575099	FACE PLATE ASSEMBLY - NO COIN	
1	1575001	SELECTION PANEL (WITH COIN OPTION)	1
	1575043	FACE PLATE ASSEMBLY (NO COIN OPTION)	
2	1472251	LENS - PUSHBUTTON	21
3	1575010	LETTER SHEET - SELECTION SWITCH	1
4	9984630	MEMBRANE SWITCH ASSEMBLY - SELECT	1
5	1575091	PLATE - SELECT SWITCH - BACK UP - W/STUD	1
6	1475089	1/8" NUT - SELF-THREADING	4

UPPER INSERT



COINS & BILLS:
U.S.

1575012 NO FREE VEND
1575025 FREE VEND *



COINS ONLY:
U.S.

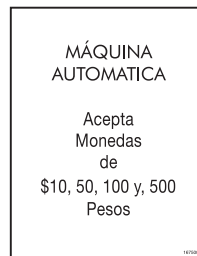
1575013 NO FREE VEND
1575026 FREE VEND *

LOWER INSERT



COINS ONLY:
U.S.

1575035



SPANISH

1675003

* THE FACE VEND INSERT IS THE SAME AS SHOWN WITH THE ADDITION OF A HOLE IN THE UPPER RIGHT CORNER FOR THE FREE VEND KEY SWITCH

653p0051

Figure 40. Monetary Inserts

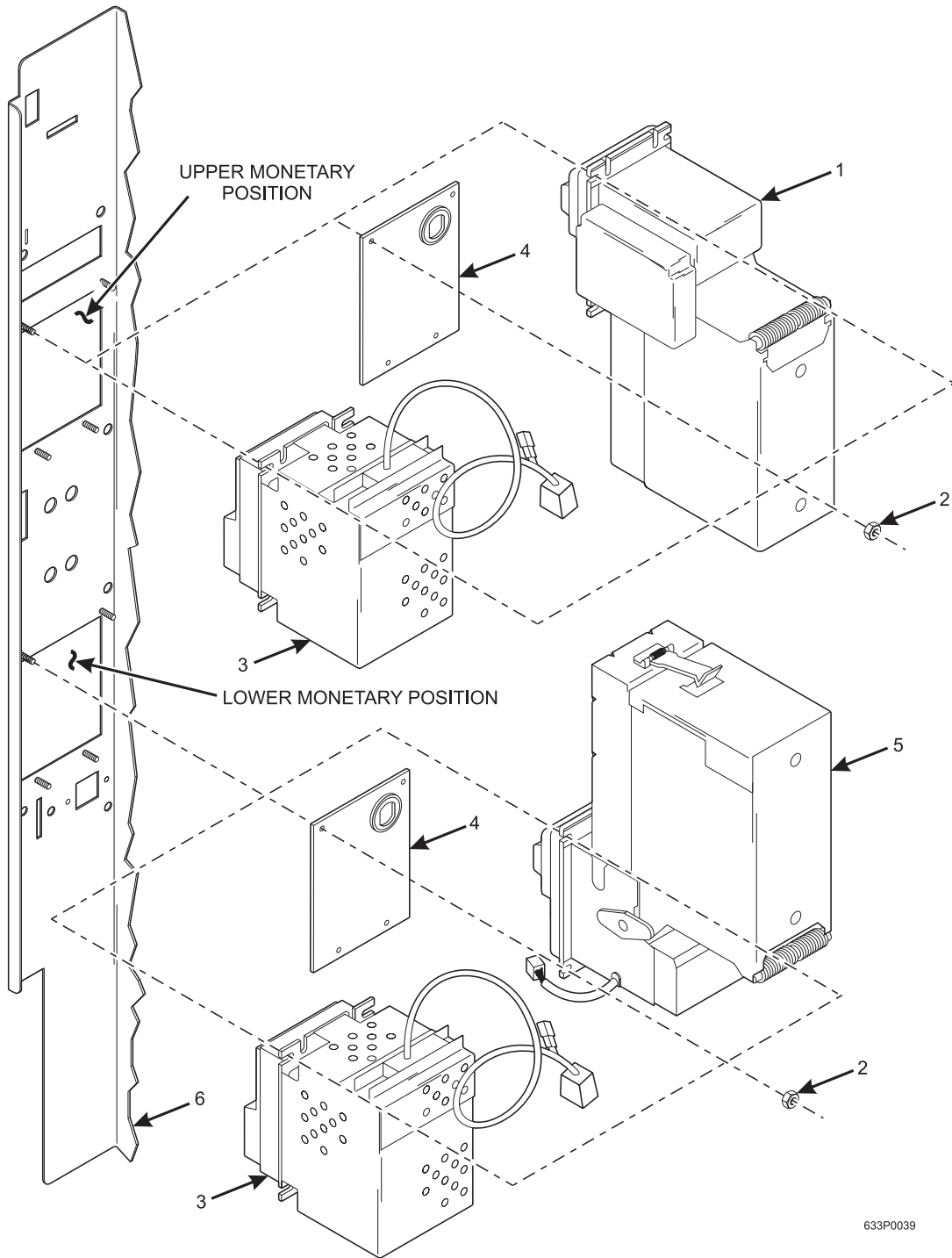


Figure 41. Card Reader and Bill Validator Options

TABLE 41. CARD READER AND BILL VALIDATOR OPTIONS

INDEX	DESCRIPTION	QTY
1	DOWNSTACK BILL VALIDATOR	OPT
2	NUT	8
3	DEBIT CARD READER	OPT
4	INSTRUCTION INSERT BACKING PLATE	0, 1, 2*
5	UPSTACK BILL VALIDATOR	OPT
6	MONETARY PANEL WELD ASSEMBLY	REF.

*QUANTITY VARIES WITH MONETARY CAPABILITY

TABLE 41A. MONETARY LOCATION OPTIONS

MONETARY CAPABILITY	UPPER	LOWER	WITH COIN?
COIN - VAL -CARD	CARD READER	UPSTACK VALIDATOR	YES
COIN - VAL -CARD	DOWNSTACK VALIDATOR	CARD READER	YES
COIN - VAL	INSERT INSTRUCTIONS BACK-UP PLATE (1575011)	UPSTACK VALIDATOR	YES
COIN - VAL	DOWNSTACK VALIDATOR	INSERT INSTRUCTIONS BACK-UP PLATE (1575011)	YES
COIN - CARD	INSERT INSTRUCTIONS BACK-UP PLATE (1575011)	CARD READER	YES
COIN - CARD	CARD READER	INSERT INSTRUCTIONS BACK-UP PLATE (1575011)	YES
VAL- CARD	DOWNSTACK VALIDATOR	CARD READER	NO
VAL- CARD	CARD READER	DOWNSTACK VALIDATOR	NO
COIN ONLY	INSERT INSTRUCTIONS BACK-UP PLATE (1575011)	INSERT INSTRUCTIONS BACK-UP PLATE (1575011)	YES
VAL ONLY	INSERT INSTRUCTIONS BACK-UP PLATE (1575011)	UPSTACK VALIDATOR	NO
VAL ONLY	DOWNSTACK VALIDATOR	INSERT INSTRUCTIONS BACK-UP PLATE (1575011)	NO
CARD ONLY	CARD READER	INSERT INSTRUCTIONS BACK-UP PLATE (1575011)	NO
CARD ONLY	INSERT INSTRUCTIONS BACK-UP PLATE (1575011)	CARD READER	NO

NOTES

ALL ITEMS ARE SECURED WITH FOUR NUTS (P/N 9900081). SHADED ITEMS REPRESENT ALTERNATE CONFIGURATIONS.

TABLE 41B. COIN MECH OPTIONS - "DUMB"

PART NUMBER	DESCRIPTION
5900116	MARS - TRC 6000
5307321	COINTRON 3000
5900096	COINCO 9340 L
5900096	COINCO 9340 L - BRC
5900112	MARS - MC5000
6400002	MARS - TRC 6010 XV - 24V - W/15 PIN PLUG
6400003	COINCO - 9302 LF - 24 V - W/15 PIN PLUG
5900192	CONLUX - USLX0041F
5900094	COINCO 9300 L

TABLE 41C. COIN MECH OPTIONS - "MDB"

PART NUMBER	DESCRIPTION
5900244	COINCO - USD - G701 "MDB"
5900243	MARS - TRC6512 "MDB"
5900209	CONLUX - USLZ - 001 "MDB"

TABLE 41D. BILL VALIDATOR OPTIONS - "SERIAL"

PART NUMBER	DESCRIPTION	HARNESS P/N
5900182	VALIDATOR - COINCO BA20SA	1579028
5900248	VALIDATOR - MARS AE2611 - U5E	1579028
5900193	VALIDATOR - MARS S2000 - VN2511 - U5E	1579028
5900205	VALIDATOR - MARS - VN 2512 - U5E 24V	1579032 1579031 9989718
5900221	VALIDATOR - COINCO - BA 32 SA - 24V	1579032 9989718
5900233	VALIDATOR - CONLUX - MKA 2152 - 12B - 120V	1579028
5900234	VALIDATOR - CONLUX - MKA 2162 - 12B - 24V	1579032 9989718

TABLE 41E. BILL VALIDATOR OPTIONS - "PULSE"

PART NUMBER	DESCRIPTION	HARNESS P/N
1475053	MAKA VAL - MASK K (NB - 1KB - 400)	1579006

TABLE 41E. BILL VALIDATOR OPTIONS - "PULSE"

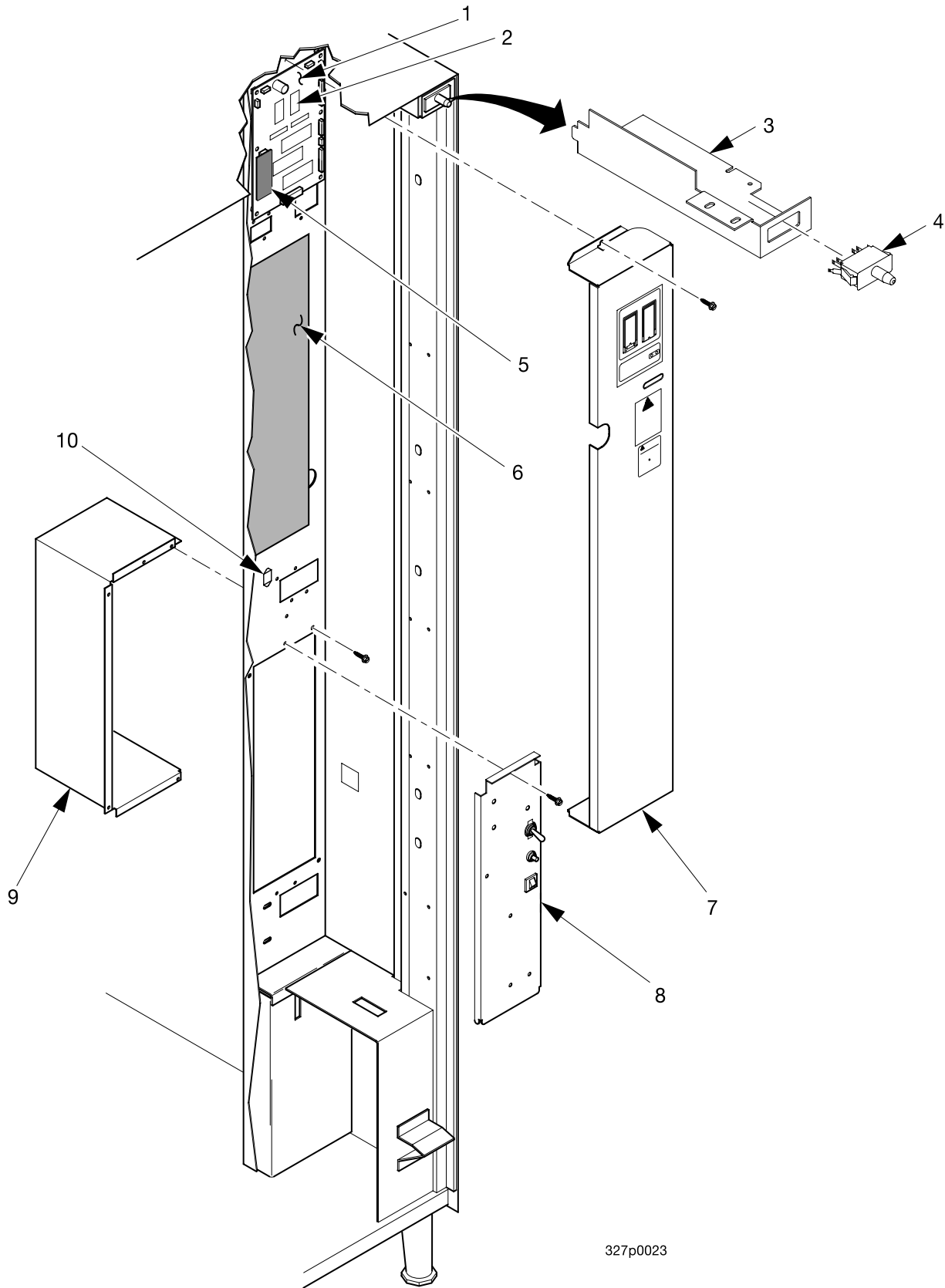
PART NUMBER	DESCRIPTION	HARNESS P/N
5900198	VALIDATOR - MARS - S2000 - VN2311 - U5E - 110V	1579005

TABLE 41F. BILL VALIDATOR OPTIONS - "MDB"

PART NUMBER	DESCRIPTION	HARNESS P/N
5900182	VALIDATOR - COINCO BA30SA	1579034
5900210	VALIDATOR - MARS - VN 2512 - U5M/500	-
5900234	VALIDATOR - CONLUX - MKA 2162 - 12B - 24V	1579050
5900247	VALIDATOR - AE2612 - U5M "MDB"	-

TABLE 41G. CARD READERS

PART NUMBER	DESCRIPTION	HARNESS P/N
1475107	DEBITEK #V15 - MM - NAT SYSTEM III	1579003 9989631
6331052	BRACKET - DEBITEK CONTROLLER	-

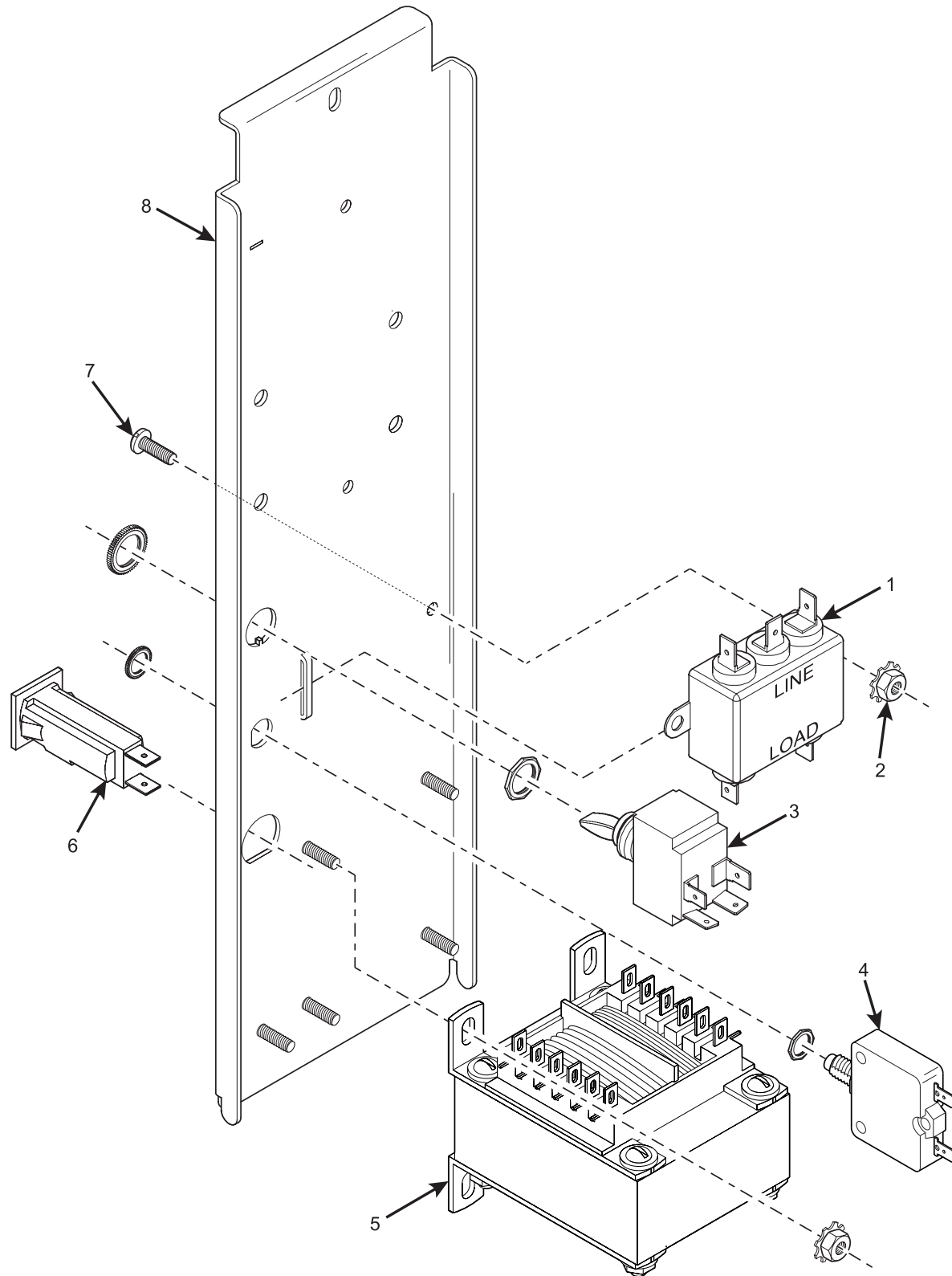


327p0023

Figure 42. Monetary Channel

TABLE 42. MONETARY CHANNEL

INDEX	PART NUMBER	DESCRIPTION	QTY
1	9989755	PCB ASSEMBLY - MAIN CONTROLLER	1
2	SEE LABEL	IC ASSEMBLY	1
3	1571074	LOCK ARM-CABINET	2
4	1211141	SWITCH - 115V	1
5	-	NOT USED IN THIS APPLICATION	-
6	6336022	PCB ASSEMBLY - HOT DRINK INTERFACE	1
7	1571112	COVER - CONTROLLER / INTERFACE PCB	1
8	1701015	POWER PANEL ASSY - DOMESTIC	1
9	1571032	HOUSING - POWER PANEL	1
10	9983778	TRIAC - 35AMP - 600V	1



170P0036

Figure 43. Power Panel Assembly - 115 V

TABLE 43. POWER PANEL ASSEMBLY - 115 V

INDEX	PART NUMBER	DESCRIPTION	QTY
-	1701015	POWER PANEL ASSEMBLY - DOMESTIC	-
1	9989100	INTERFERENCE FILTER	1
2	9900081	NUT - #8-32 KEPS ZINC PLATE	6
3	9984629	SWITCH - TOGGLE - DPST - 20 AMP	1
4	9989672	BREAKER - 15 AMP	1
5	9989046	24 V TRANSFORMER - DUAL PRI. - .187 TERM	1
6	9989674	CIRCUIT BREAKER - 4 AMP	1
7	1211110	8-32 X 1/4 RHS MACH SCREW - Z.P.	6
8	1701025	PLATE - HOUSING - PANEL	1
-	6849015	JUMPER - POWER SWITCH (MEXICO) - (NOT SHOWN)	1
-	9989110	FILTER - POWER LINE - EMI (MEXICO) - (NOT SHOWN)	1

Figure 44. Single Brewer Assembly (No Filter)

TABLE 44. SINGLE BREWER ASSEMBLY (NO FILTER)

INDEX	PART NUMBER	DESCRIPTION	QTY
1	6234328	BARREL ASSEMBLY - BREWER (SEE FIGURE 48)	REF
2	6234301	BARREL SUPPORT - BREWER	1
3	6234288	BOLT - 1/4-20 X 1 1/2	1
4	6234001	RACK ASSEMBLY (SEE FIGURE 50)	2
5	6234271	SHAFT - FLIP STOP	1
6	6234104	BASKET - BREWER	1
7	6234270	ROLLER - STOP	2
8	6234225	SPRING - BREWER	2
9	6234215	WALL ASSEMBLY - REAR	1
10	6234295	SCREW - #8-32 X .38 HHS W/LW	12
11	6234273	SIDEWALL - BREWER	2
12	6234223	PIN-ROLLER - SIDEWALL	2
13	4234308	SHAFT - SWING ARM	1
14	6234289	LOCKNUT - #1/4-20	2
15	6234008	GEAR & CAM ASSEMBLY	1
16	6234220	WALL ASSEMBLY - BOTTOM - FRONT	1
17	6234293	SPACER - SINGLE BREWER	1
18	6234205	SPRING	2
19	6234200	SWING ARM ASSEMBLY (INCLUDES INDEX NUMBERS 20 THROUGH 25)	1
20	6234205	EXT. SPRING - SWING ARM	2
21	6234243	SHAFT - RETAINER - .125 DIA	2
22	6234002	SWING ARM ASSEMBLY	1
23	6234240	FUNNEL - COFFEE	1
24	6234375	SEAL - BREWER	1
25	6334019	FILTER SUPPORT - 30 MESH	1
26	6234310	DRIVE CONNECTION - BREWER	1
27	6234303	RETAINING RING - .375 DIA	1
28	6234222	ROLLER - BREWER	2
29	6234803	SPACER - CAM	1
30	6234007	PINION GEAR ASSEMBLY	1
-	6231197	LABEL - CAUTION: HOT WATER HAZARD (AUS./N.Z./U.K./U.S.)	1
-	6231213	LABEL - CAUTION: HOT WATER HAZARD (GER)	
-	6232293	LABEL - CAUTION: HOT WATER HAZARD (ARG./MEX./SP.)	
-	6231220	LABEL - CAUTION: HOT WATER HAZARD (FR.)	

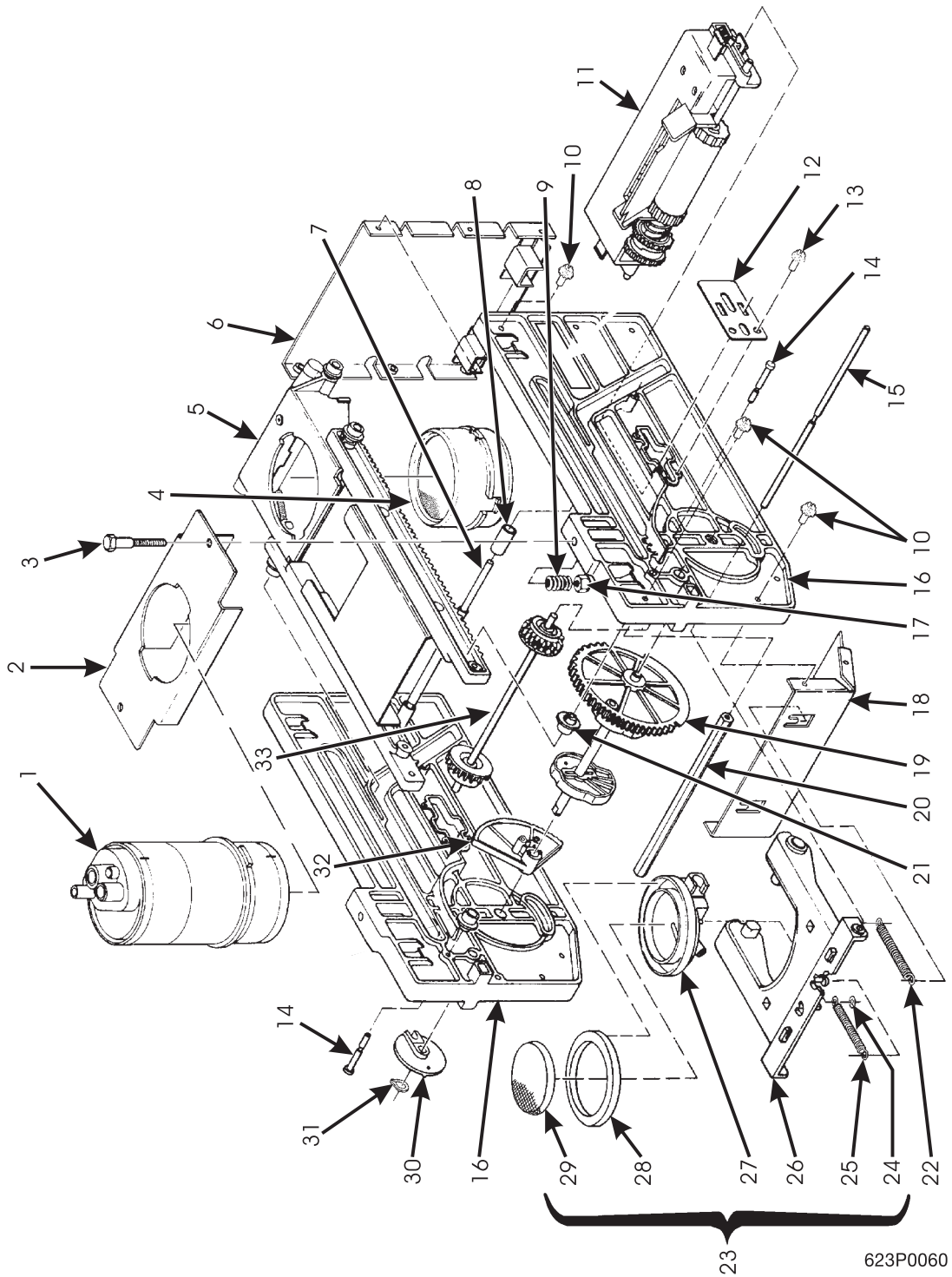


Figure 45. Single Brewer Assembly (With Filter)

TABLE 45. SINGLE BREWER ASSEMBLY (WITH FILTER)

INDEX	PART NUMBER	DESCRIPTION	QTY
-	6234000	SINGLE BREWER ASSEMBLY - WITH FILTER	REF.
1	6234328	BARREL ASSEMBLY - BREWER (SEE FIGURE 48)	1
2	6234301	BARREL SUPPORT - BREWER	1
3	6234288	BOLT - 1/4-20 1 1/2	2
4	6234297	BASKET - BREWER PAPER	1
5	6234001	RACK ASSEMBLY - BREWER (SEE FIGURE 50)	1
6	6234215	WALL ASSEMBLY - REAR	1
7	6234271	SHAFT - FLIP STOP	1
8	6234270	ROLLER - STOP	2
9	6234225	SPRING - BREWER	2
10	6234295	SCREW - #8-32 X .38 HHS W/LW	12
11	6234600	PAPER MECHANISM ASSEMBLY (SEE FIGURE)	1
12	6234608	SPRING COVER - PAPER MECH	2
13	6234616	SCREW - #10-32 X 3/8 HHS SL W/ EA	4
14	6234223	PIN - ROLLER - SIDEWALL	2
15	6234308	SHAFT - SWING ARM	1
16	6234273	SIDEWALL - BREWER	2
17	6234289	LOCKNUT - #1/4-20	2
18	6234220	WALL ASSEMBLY - BOTTOM FRONT	1
19	6234008	GEAR & CAM ASSEMBLY	1
20	6234293	SPACER - SINGLE BREW	1
21	6234222	ROLLER - BREWER	2
22	6234205	SPRING	1
23	6234200	SWING ARM ASSEMBLY (INCLUDES INDEX NUMBERS 24 THROUGH 29)	1
24	6234243	SHAFT - RETAINER - .125 DIA	2
25	6234205	EXT. SPRING - SWING ARM	2
26	6234002	SWING ARM ASSEMBLY	1
27	6234240	FUNNEL - COFFEE	1
28	6234375	SEAL - BREWER	1
29	6334019	FILTER SUPPORT - 30 MESH	1
30	6234310	DRIVE CONNECTION - BREWER	1
31	6234303	RETAINING RING - .375	1
32	6234601	RATCHET DRIVE - PAPER MECH.	1
33	6234007	PINION GEAR ASSEMBLY	1

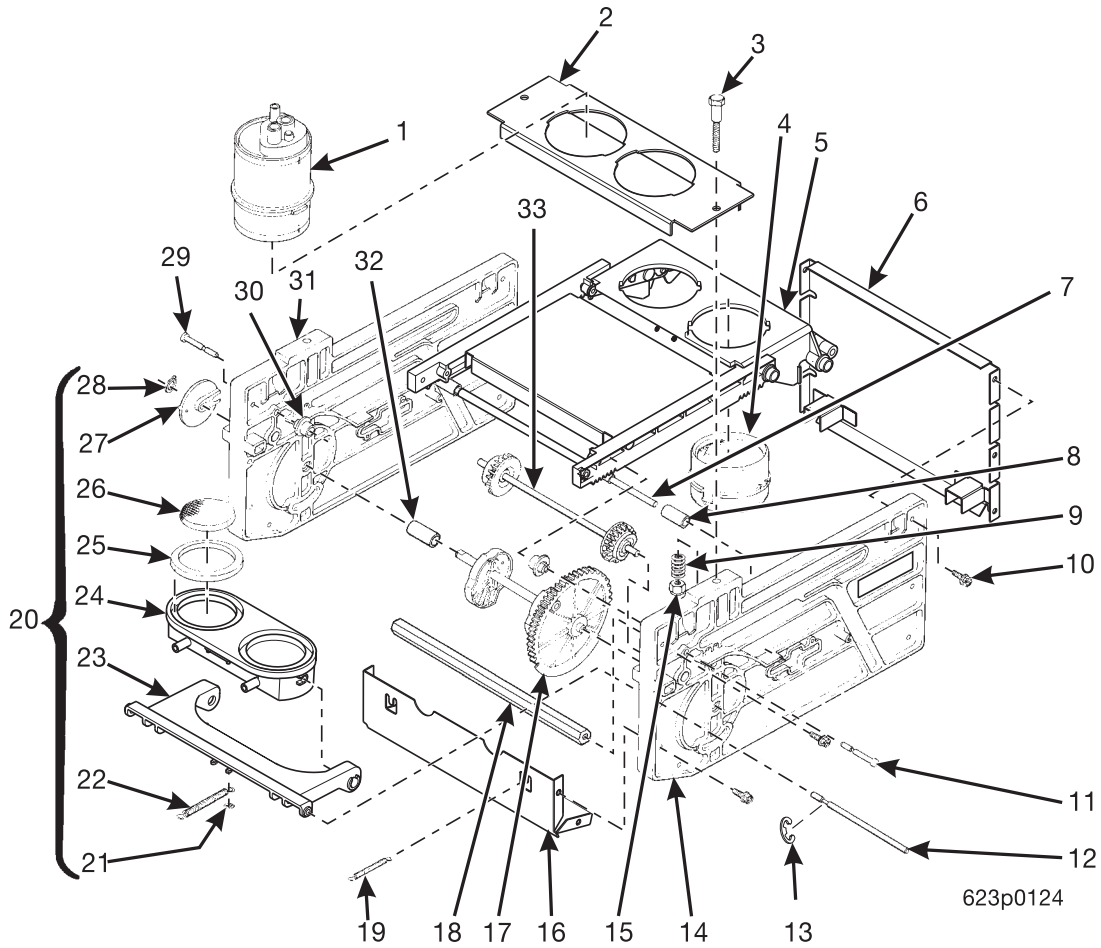


Figure 46. Dual Brewer Assembly (No Filter)

TABLE 46. DUAL BREWER ASSEMBLY (NO FILTER)

INDEX	PART NUMBER	DESCRIPTION	QTY
-	6234917	DUAL BREWER ASSEMBLY - NO FILTER - TEA	REF
1	6234300	BARREL ASSEMBLY - BREWER (SEE FIGURE 46)	2
2	6234923	BARREL SUPPORT - DUAL BREWER	1
3	6234288	BOLT 1/4-20 X 1 1/2	2
4	6234104	BASKET - BREWER	1
5	6234296	TEA BASKET ASSEMBLY (NOT SHOWN)	1
-	6234901	RACK ASSEMBLY - DUAL BREWER (SEE FIGURE 51)	1
6	6234915	REAR WALL ASSEMBLY - DUAL BREWER	1
7	6234924	SHAFT - FLIP STOP - DUAL BREWER	1
8	6234270	ROLLER - STOP	2
9	6234225	SPRING - BREWER	2
10	6234295	SCREW - #8-32 X .38 HHS W/LW	12
11	6234223	PIN - ROLLER - SIDEWALL	1
12	6234914	SHAFT - SWING ARM - DUAL BREWER	2
13	6104220	RETAINING RING	1
14	6234273	SIDEWALL - BREWER	1
15	6234289	LOCKNUT - #1/4-20	2
16	6234919	BOT FRT WALL ASSEMBLY - DUAL BREWER	1
17	6234966	TIME GEAR/CAM ASSEMBLY - DUAL BREWER	1
18	6234944	SPACER - DUAL BREWER	1
19	6234205	EXTERNAL SPRING	2
20	6234905	SWING ARM ASSEMBLY - DUAL BREWER - NO FILTER	1
21	6234243	SHAFT-RETAINER - .125 DIA	2
22	6234205	EXT. SPRING - SWING ARM	2
23	6234906	SWING ARM ASSEMBLY - DUAL BREWER	1
24	6234913	FUNNEL - DUAL BREWER	2
25	6234375	SEAL - BREWER	2
26	6334019	FILTER SUPPORT - 30 MESH	2
27	6234310	DRIVE CONNECTION - BREWER	1
28	6234303	RETAINING RING - .375 DIA	1
29	6234223	PIN-ROLLER - SIDEWALL	1
30	6234222	ROLLER - BREWER	2
31	6234273	SIDEWALL - BREWER	1
32	6234803	SPACER - CAM	1
33	6234009	PINION GEAR ASSEMBLY - DUAL BREWER	1

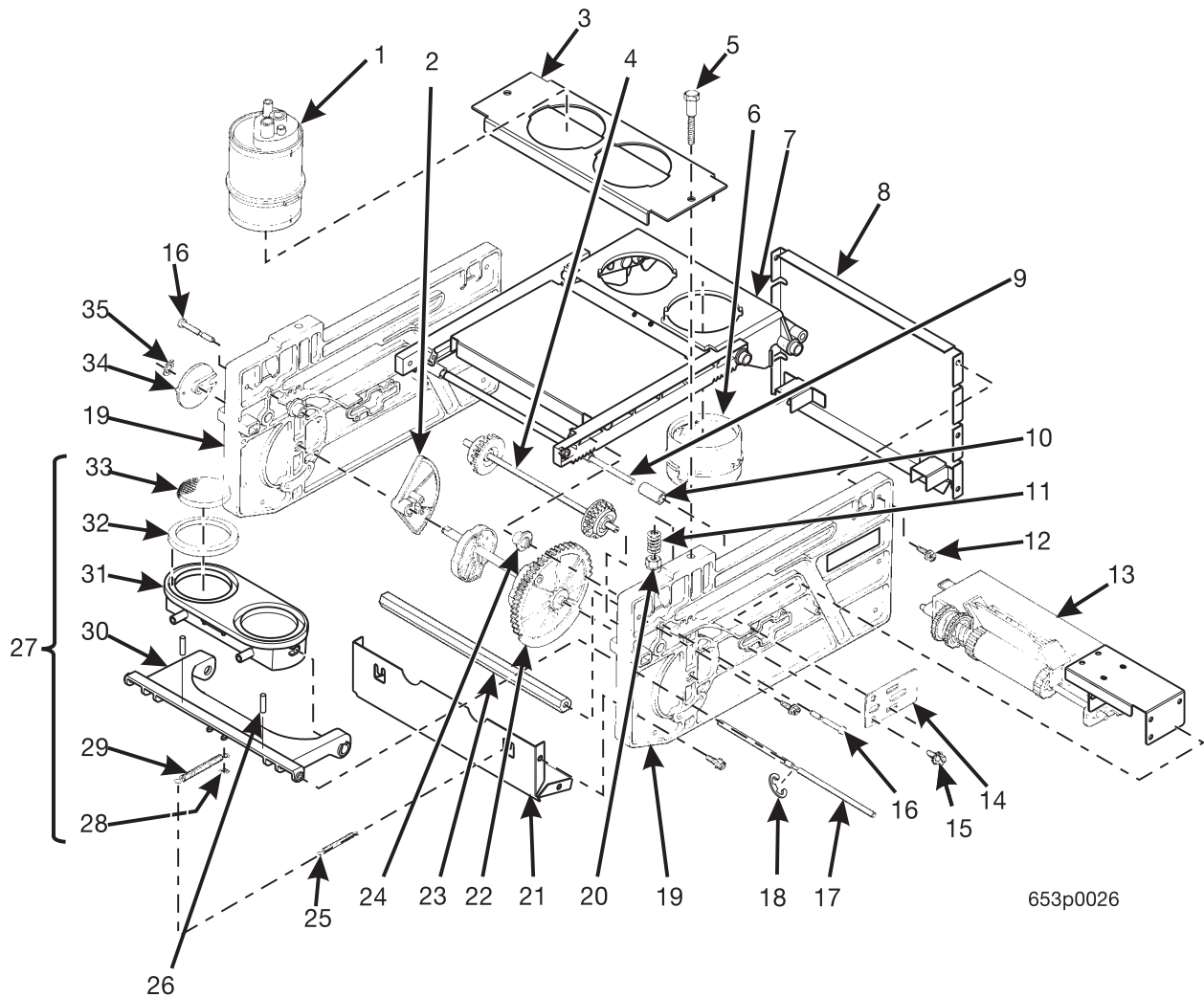


Figure 47. Dual Brewer Assembly (With Filter)

TABLE 47. DUAL BREWER ASSEMBLY (WITH FILTER)

INDEX	PART NUMBER	DESCRIPTION	QTY
-	6234900	DUAL BREWER ASSEMBLY WITH FILTER	REF.
1	6234300	BARREL ASSEMBLY - BREWER (SEE FIGURE 49)	2
2	6234601	RATCHER DRIVE - PAPER MECH.	1
3	6234923	BARREL SUPPORT - DUAL BREWER	1
4	6234009	PINION GEAR ASSEMBLY - DUAL BREWER	1
5	6234288	BOLT - 1/4-20 X 1 1/2	2
6	6234297	BASKET - BREWER PAPER	1
-	6234296	TEA BASKET ASSEMBLY (NOT SHOWN)	1
7	6234901	RACK ASSEMBLY - DUAL BREWER (SEE FIGURE 51)	1
8	6234915	REAR WALL ASSEMBLY - DUAL BREWER	1
9	6234924	SHAFT - FLIP STOP - DUAL BREWER	1
10	6234270	ROLLER - STOP	2
11	6234225	SPRING - BREWER	2
12	6234295	SCREW - #8-32 X .38 HHS W/LW	14
13	6234907	PAPER MECHANISM ASSEMBLY - DUAL BREWER (SEE FIGURE 53)	1
14	6234608	SPRING COVER - PAPER MECH	3
15	9900021	SCREW #8-32 X 5/8 RHS	A/R
16	6234223	PIN - ROLLER - SIDEWALL	2
17	6234914	SHAFT - SWING ARM - DUAL BREWER	2
18	6104220	RETAINING RING	2
19	6234273	SIDEWALL - BREWER	2
20	6234289	LOCKNUT - #1/4-20	2
21	6234919	BOTTOM FRONT WALL ASSEMBLY - DUAL BREWER	1
22	6234966	TIME GEAR/CAM ASSEMBLY - DUAL BREWER	1
23	6234944	SPACER - DUAL BREWER	1
24	6234222	ROLLER - BREWER	2
25	6234205	SPRING	2
26	3127034	ROLL PIN 1/8 X 13/16	2
27	6234905	SWING ARM ASSEMBLY - W/PAPER (INCLUDES INDEX NUMBERS 28 THROUGH 33)	1
28	6234205	EXT. SPRING - SWING ARM	2
29	6234243	SHAFT - RETAINER - .125 DIA	2
30	6234906	SWING ARM ASSEMBLY - DUAL BREWER	1
31	6234913	FUNNEL - DUAL BREWER	2
32	6234375	SEAL - BREWER	2
33	6334019	FILTER SUPPORT - 30 MESH	2
34	6234310	DRIVE CONNECTION - BREWER	1
35	6234303	RETAINING RING - .375 DIA.	1

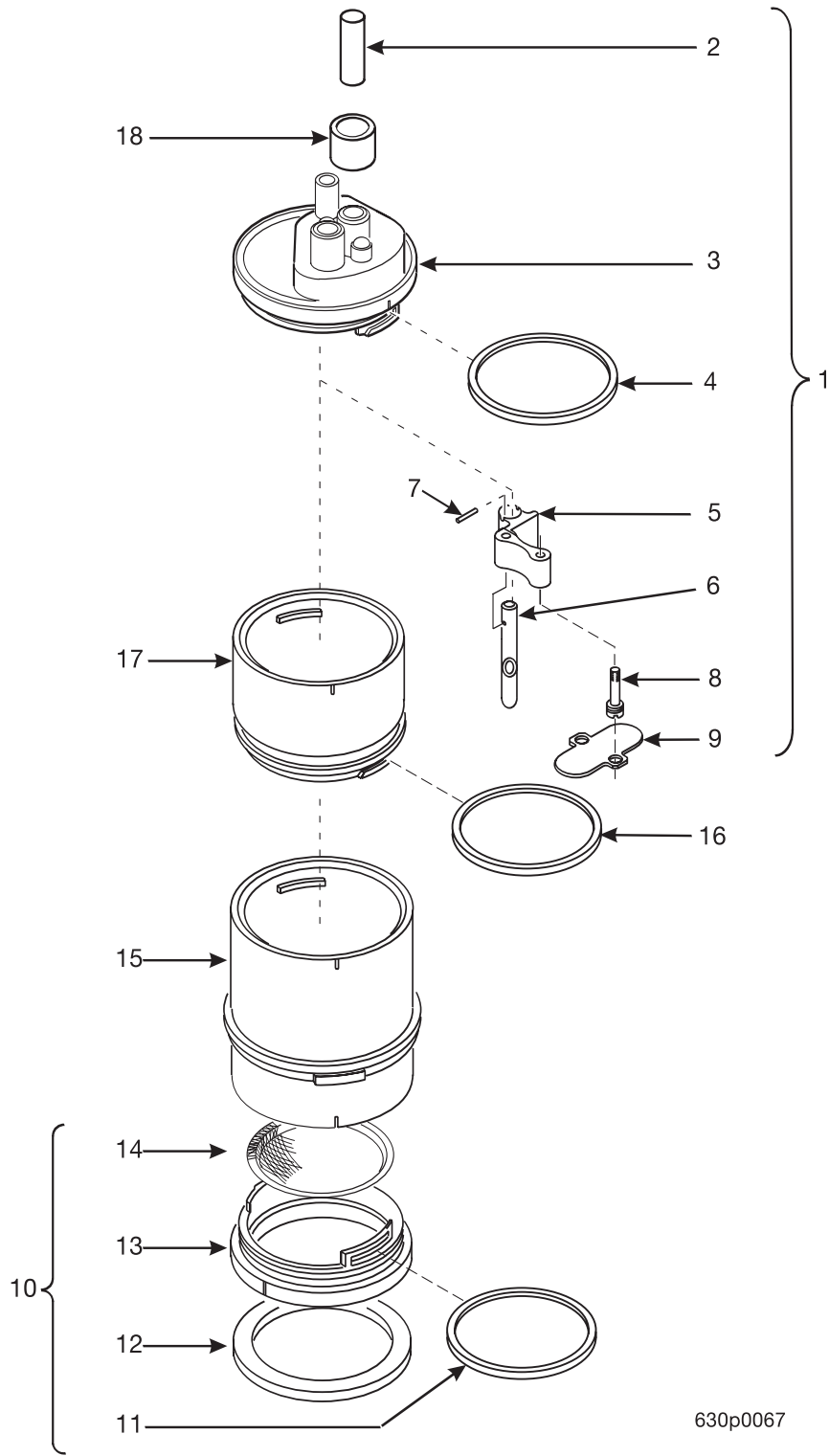


Figure 48. Barrel Assembly - Single Brewer

TABLE 48. BARREL ASSEMBLY - SINGLE BREWER

INDEX	PART NUMBER	DESCRIPTION	QTY
-	6234328	BARREL ASSEMBLY - SINGLE BREWER	REF
1	6134152	MANIFOLD ASSEMBLY - HOSE-BREW BARREL (INCLUDES INDEX NUMBERS 2 THROUGH 9)	1
2	6134192	PLUG BREWER MANIFOLD	1
3	6134178	MANIFOLD & INSERT ASSEMBLY - BREWER	1
4	6104193	QUAD RING SEAL	1
5	6204229	DEFLECTOR - MANIFOLD	1
6	6134197	TUBE - AIR JET	1
7	6106107	ROLL PIN	1
8	6134173	SHOULDER SCREW	2
9	6134155	VALVE - MANIFOLD - BREWER BARREL	1
10	6234305	LOWER INSERT ASSEMBLY - BREWER BARREL (INCLUDES INDEX NUMBERS 11 THROUGH 14)	1
11	6104193	QUAD RIND SEAL	1
12	6234375	SEAL - BREWER	1
13	6104181	LOWER INSERT BREWER BARREL	1
14	6234302	SCREEN - BREWER BARREL	1
15	6104184	BREWER BARREL	1
16	6104193	QUAD RING SEAL	1
17	6234213	EXTENTION - BREWER BARREL	1
18	6234207	TUBE - .375 ID X .562 OD X .75 L	1

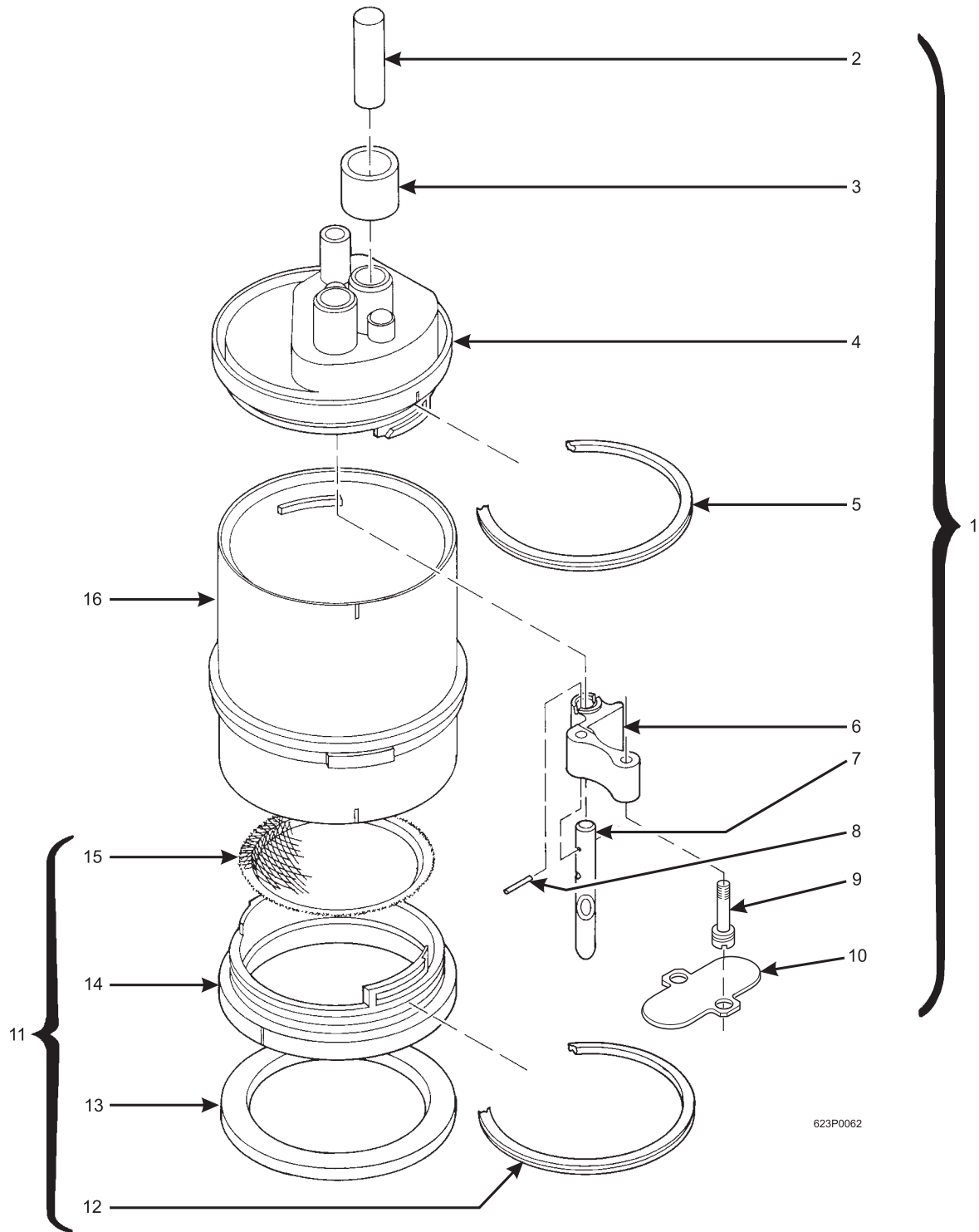


Figure 49. Barrel Assembly - Dual Brewer

TABLE 49. BARREL ASSEMBLY - DUAL BREWER

INDEX	PART NUMBER	DESCRIPTION	QTY
-	6234300	BARREL ASSEMBLY - DUAL BREWER	REF
1	6234306	MANIFOLD ASSEMBLY - HOSE-BREW BARREL (INCLUDES INDEX NUMBERS 2 THROUGH 10)	1
2	6134192	PLUG BREWER MANIFOLD	1
3	6234207	TUBE - .375 ID X .562 OD X .75 L	1
4	6134178	MANIFOLD & INSERT ASSEMBLY - BREWER	1
5	6104193	QUAD RING SEAL	1
6	6204229	DEFLECTOR - MANIFOLD	1
7	6234304	TUBE - AIR JET	1
8	6106107	ROLL PIN	1
9	6134173	SHOULDER SCREW	2
10	6134155	VALVE - MANIFOLD - BREWER BARREL	1
11	6234305	LOWER INSERT ASSEMBLY - BREWER BARREL (INCLUDES INDEX NUMBERS 12 THROUGH 15)	1
12	6104193	QUAD RING SEAL	1
13	6234375	SEAL - BREWER	1
14	6104181	LOWER INSERT BREWER BARREL	1
15	6234302	SCREEN - BREWER BARREL	1
16	6104184	BREWER BARREL	1

TABLE 50. RACK ASSEMBLY - SINGLE BREWER

INDEX	PART NUMBER	DESCRIPTION	QTY
-	6234001	RACK ASSEMBLY - BREWER	REF
1	6234222	ROLLER - BREWER	4
2	6234116	BASKET HOUSING ASSEMBLY (INCLUDES INDEX NUMBERS 3 THROUGH 6)	1
3	6234250	BASKET HOUSING & WIPER ASSEMBLY	1
4	6234278	BEARING - RETURN LEVER ROLLER	2
5	6234118	FLAT SPRING - BASKET HOUSING	1
6	6204211	SCREW - #6-32 X 1/4 PHS T/C SS	1
7	6234256	SPRING - FLIP	2
8	6234261	ROLLER LINKAGE ASSEMBLY - RIGHT	1
9	6234275	RACK ASSEMBLY - RIGHT - BREWER	1
10	6234110	SHAFT - FLIP	1
11	6234295	SCREW - #8-32 X .38 HHS W/LW	4
12	6234120	BRACKER ASSEMBLY - RACK	1
13	6234274	RACK ASSEMBLY - LEFT - BREWER	1
14	6234260	ROLLER LINKAGE ASSEMBLY - LEFT	1
15	6234292	RETURN LEVER ROLLER ASSEMBLY	2

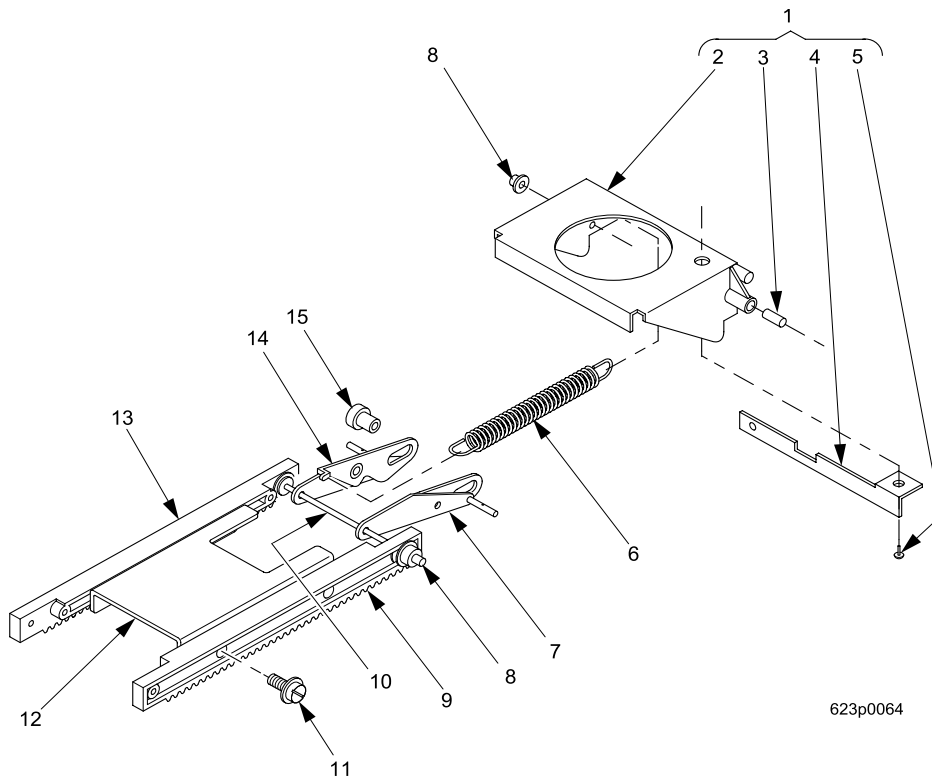


Figure 50. Rack Assembly - Single Brewer

TABLE 51. RACK ASSEMBLY - DUAL BREWER

INDEX	PART NUMBER	DESCRIPTION	QTY
-	6234901	RACK ASSEMBLY - DUAL BREWER	REF
1	6234222	ROLLER - BREWER	4
2	6234902	BASKET HOUSING ASSEMBLY - DUAL BREWER (INCLUDES INDEX NUMBERS 3 THROUGH 7)	1
3	6234281	PIN - BASKET HOUSING - D.B.	1
4	6234928	BASKET HOUSING & WIPER ASSEMBLY	2
5	6234278	BEARING - RETURN LEVER ROLLER	2
6	6234118	FLAT SPRING - BASKET HOUSING	2
7	6204211	SCREW - #6-32 X 1/4 PHS T/C SS	2
8	6234256	SPRING - FLIP	2
9	6234962	ROLLER LINK ASSEMBLY - RIGHT	1
10	6234275	RACK ASSEMBLY - RIGHT	1
11	6234910	SHAFT - FLIP - DUAL BREW	1
12	6234295	SCREW - #8-32 X .38 HHS W/LW	4
13	6234926	BRKT ASSEMBLY - RACK - DUAL BREW	1
14	6234274	RACK ASSEMBLY - LEFT	1
15	6234958	ROLLER LINK ASSEMBLY - LEFT	1
16	6234292	RETURN LEVER ROLLER ASSEMBLY	2

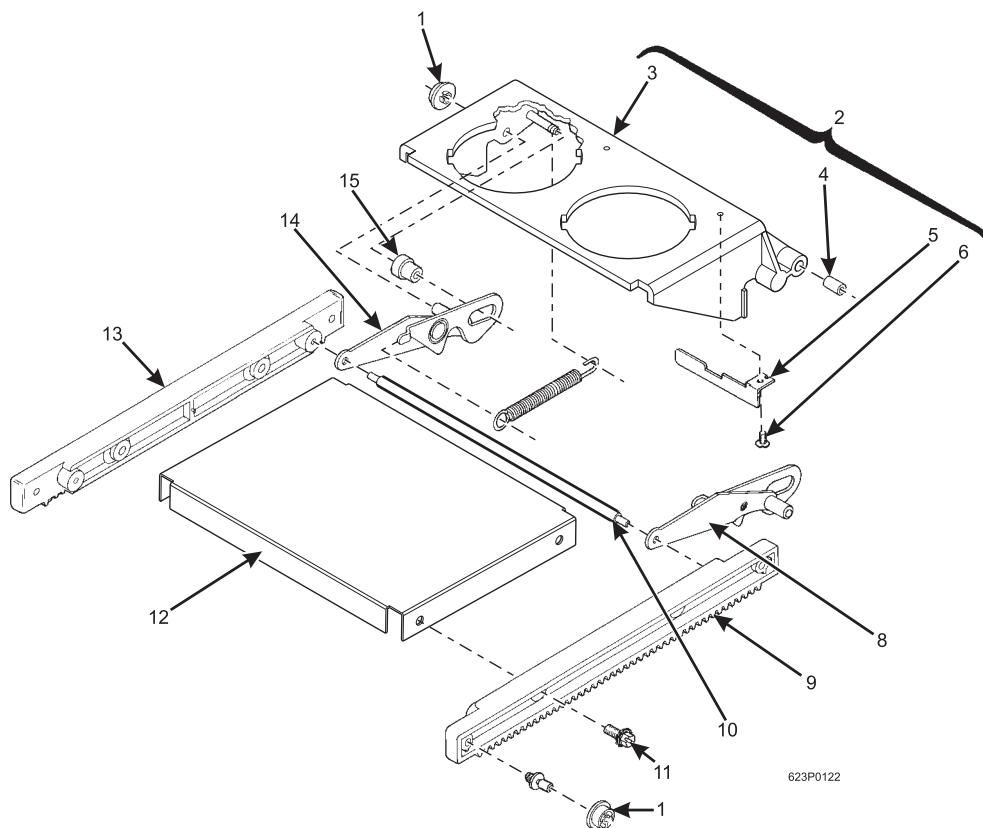


Figure 51. Rack Assembly - Dual Brewer

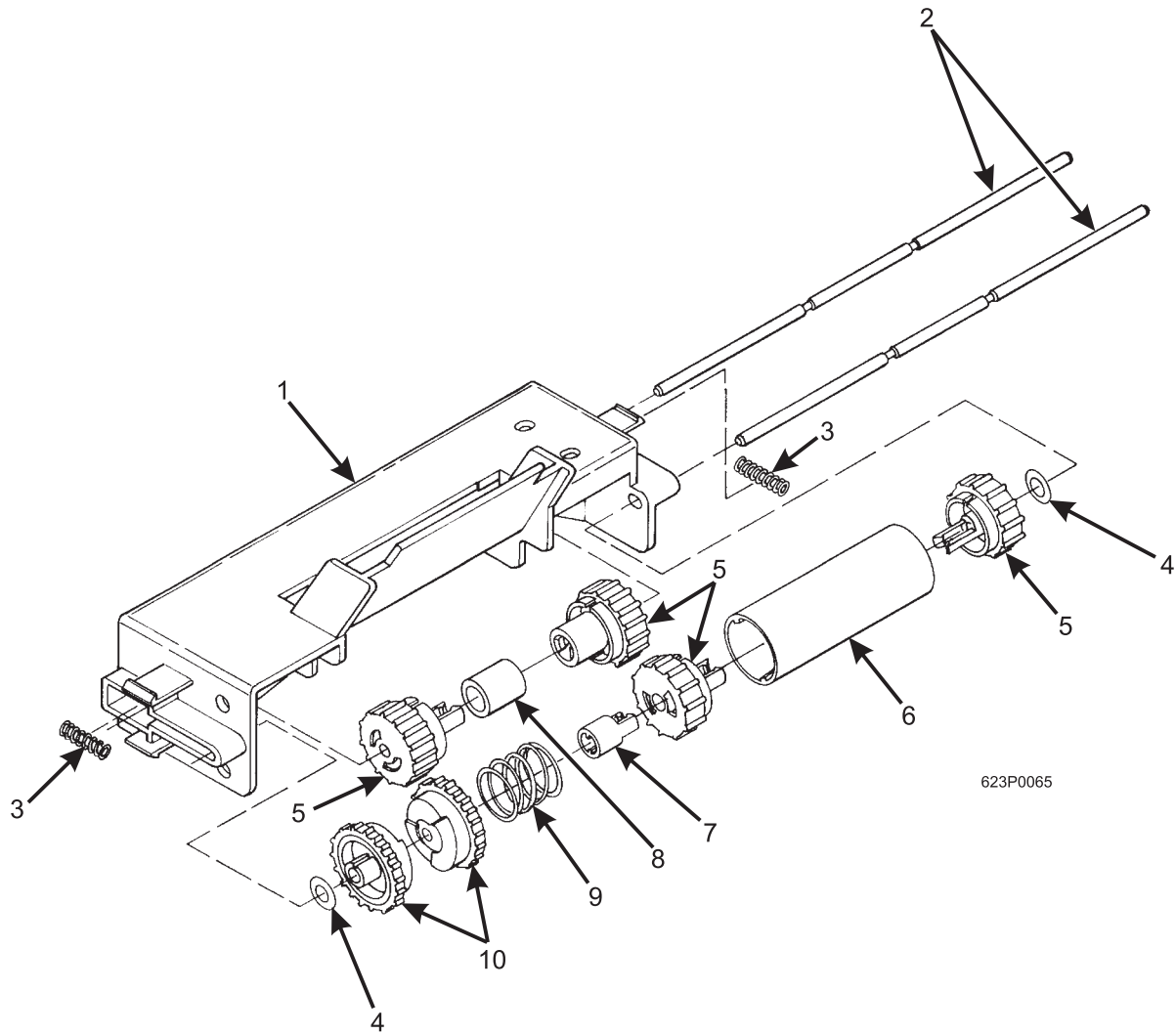


Figure 52. Paper Mechanism Assembly - Single Brewer

TABLE 52. PAPER MECHANISM ASSEMBLY - SINGLE BREWER

INDEX	PART NUMBER	DESCRIPTION	QTY
-	6234600	PAPER MECHANISM ASSEMBLY - SINGLE BREWER	REF
1	6234626	PAPER MECH. HOUSING	1
2	6234612	SHAFT - PAPER MECH.	2
3	6234614	COMPRESSION SPRING - PAPER MECH SHAFT (NOT PART OF ASSEMBLY)	2
4	6234628	WASHER-PAPER MECH.	2
5	6234620	ROLLER END CAP - PAPER MECH	4
6	6234619	PAPER ROLLER EXTRUSION	1
7	6234603	ROLLER DRIVE - PAPER MECH	1
8	6234634	TUBE-6108089 - .50 LG.	2
9	6234615	SPRING - PAPER MECH RATCHET	1
10	6234607	RATCHET - PAPER MECH.	2

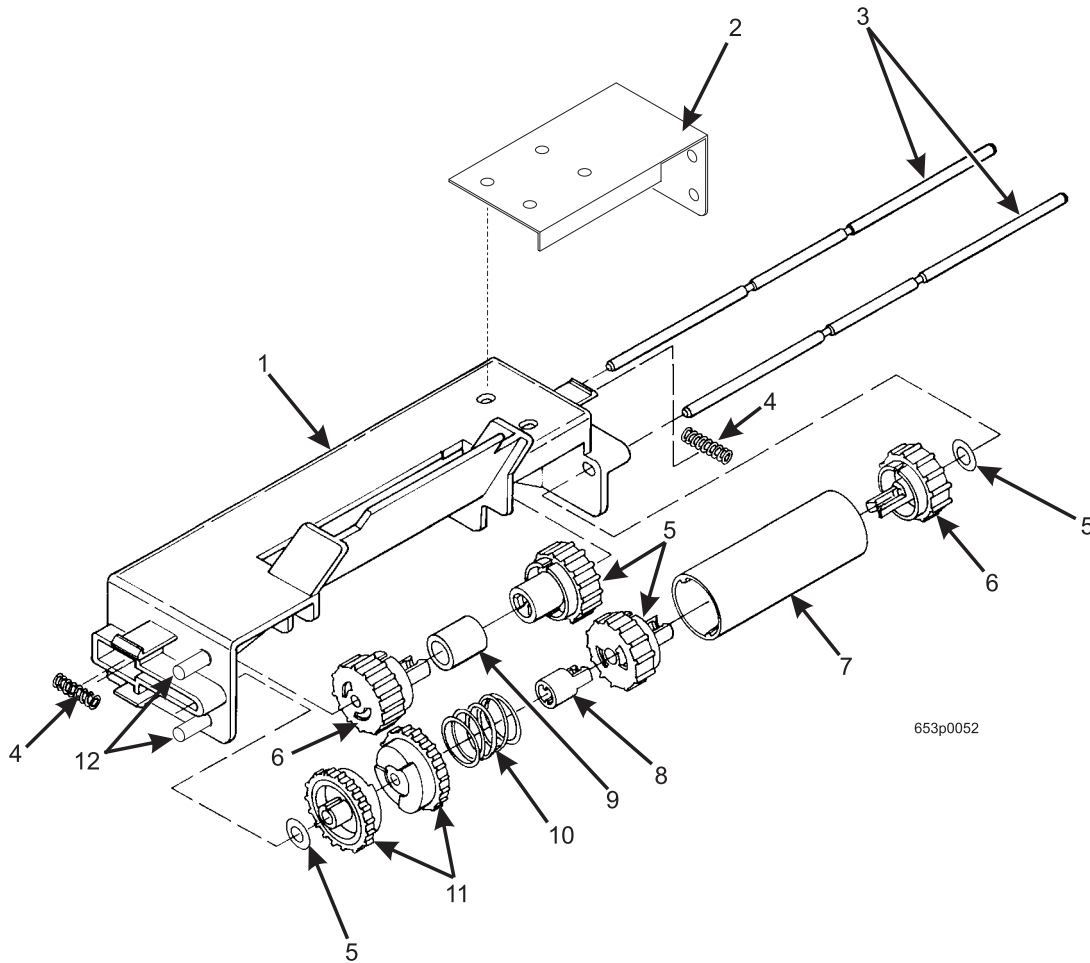


Figure 53. Paper Mechanism Assembly - Dual Brewer

TABLE 53. PAPER MECHANISM ASSEMBLY - DUAL BREWER

INDEX	PART NUMBER	DESCRIPTION	QTY
-	6234907	PAPER MECHANISM ASSEMBLY - DUAL BREWER	REF
1	6234626	PAPER MECH. HOUSING	1
2	6234948	BRACKER ASSEMBLY - PAPER MECH (NOT PART OF ASSEMBLY)	1
3	6234612	SHAFT - PAPER MECH.	2
4	6234614	COMPRESSION SPRING - PAPER MECH SHAFT (NOT PART OF ASSEMBLY)	2
5	6234628	WASHER - PAPER MECH.	2
6	6234620	ROLLER END CAP - PAPER MECH	4
7	6234619	PAPER ROLLER EXTRUSION	1
8	6234603	ROLLER DRIVE - PAPER MECH	1
9	6234634	TUBE-6108090 - .50 LG	2
10	6234615	SPRING - PAPER MECH RATCHET	1
11	6234607	RATCHER - PAPER MECH	2
12	6234942	PIN - PAPER MECH - DUAL BREW	2

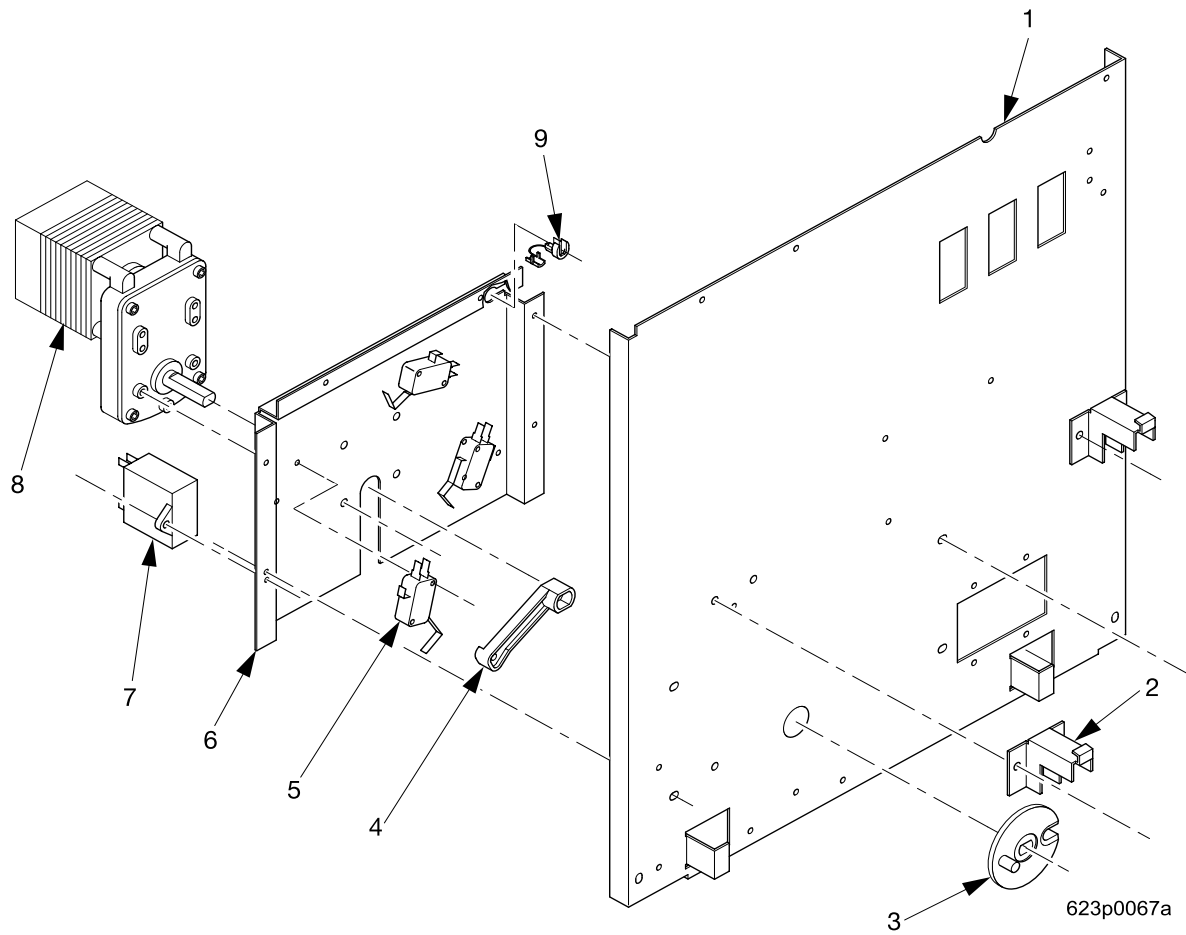


Figure 54. Brewer Drive Assembly

TABLE 54. BREWER DRIVE ASSEMBLY

INDEX	PART NUMBER	DESCRIPTION	QTY
-	6334005	BREWER DRIVE ASSEMBLY - SINGLE - 115 V	REF.
1	6734012	PANEL MOUNTING - BREWER	1
2	6234294	MOUNTING BRACKET - BREWER	2
3	1451097	SCREW - #8-32 X .31 HEX HD T.F. - BLACK BRACKET	10
4	6234310	DRIVE CONNECTION - BREWER	1
5	6234303	RETAINING RING - .375 DIA.	1
6	6334007	SWITCH/MOTOR ASSEMBLY - 115V (INCLUDES INDEX NUMBERS 7 THROUGH 17) (U.S.)	1
7	1217159	#4-40 KEPS NUT (2 EACH SWITCH)	6
8	6234279	SWITCH - BREWER	3
9	9988208	CAPACITOR - MOTOR RUN - 17 MF (115V)	1
10	1217160	SCREW, #4-40 X 5.8 RHS (2 EACH SWITCH)	6
11	6239016	HARNESS - SWITCH - BREWER	1
12	9985887	BUSHING - STRAIN RELIEF	1
13	6334012	MOTOR - BREWER - 115V (U.S.)	1
14	3157060	SCREW, #8-32 X .31 HEX HD - T/F - W/LOCKING SERRATIONS	2
15	6334018	HOUSING - SWITCHES AND BREWER MOTOR	1
16	4245186	SCREW, #8-32 X 1/4 PHS -T/F	4
17	6234515	SWITCH - ACTUATOR	1

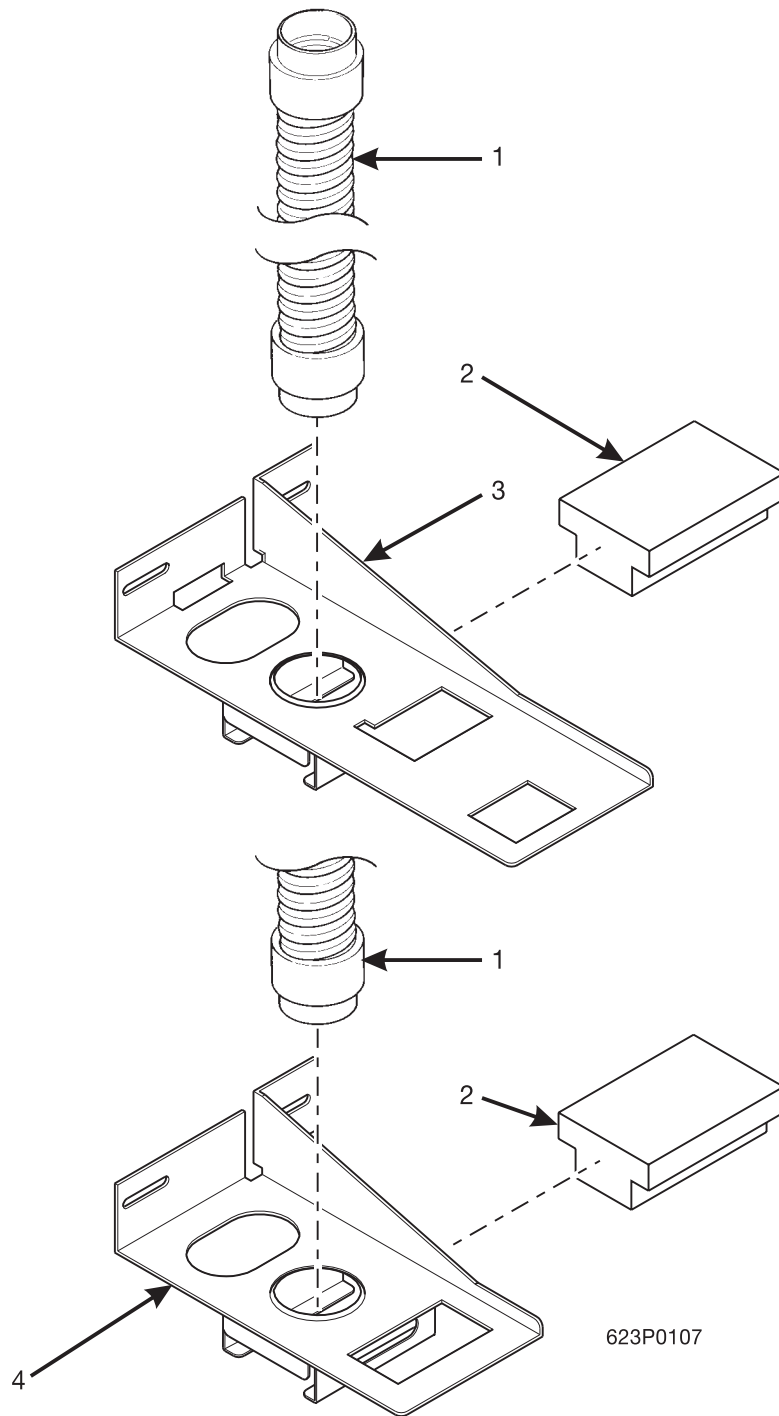
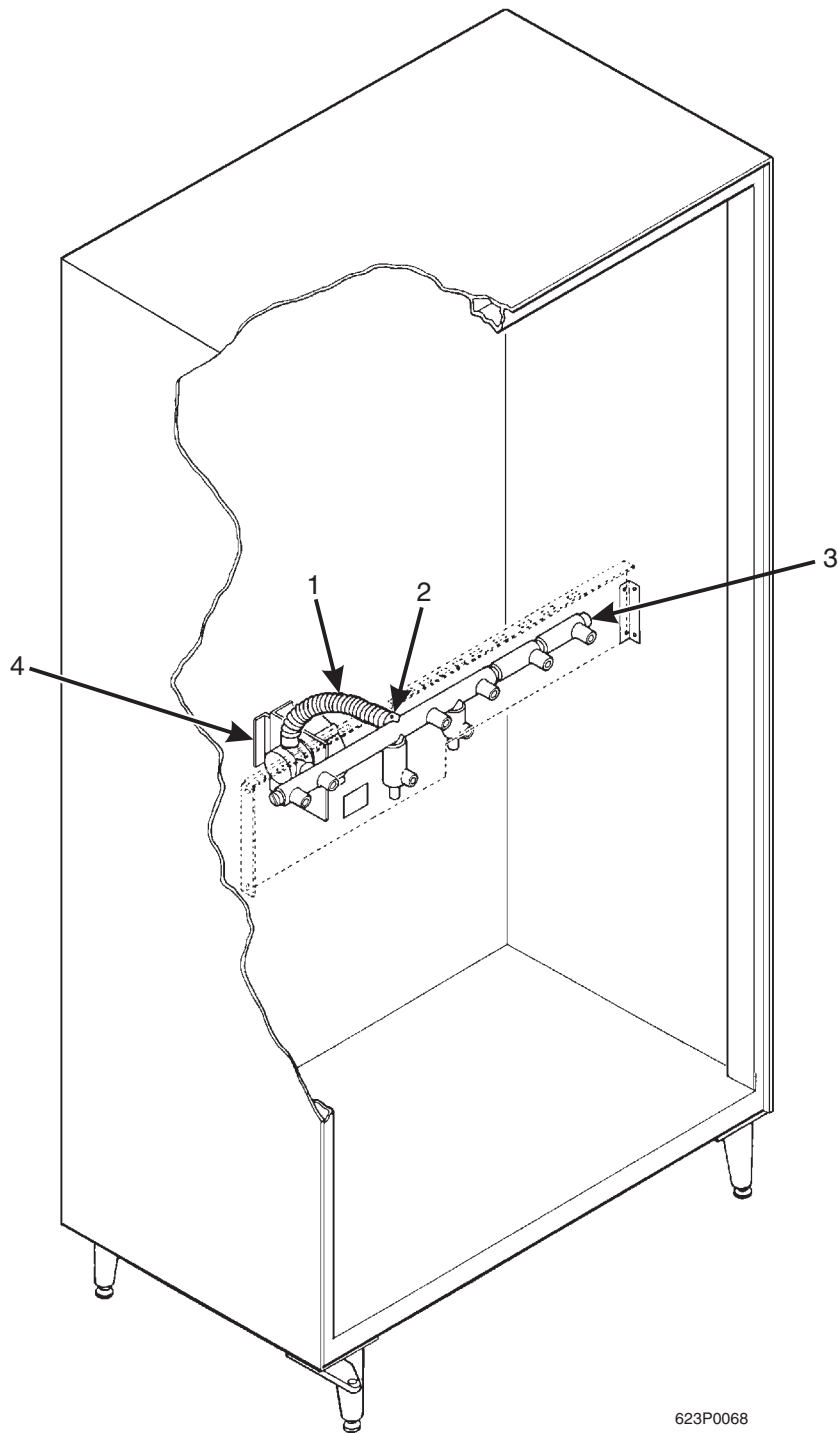


Figure 55. Brewer Exhaust Filter Locator and Bracket Assembly

TABLE 55. BREWER EXHAUST FILTER LOCATOR AND BRACKET ASSEMBLY

INDEX	PART NUMBER	DESCRIPTION	QTY
1	6237354	HOSE ASSEMBLY - EXHAUST - COFFEE CHUTE	1
2	6237353	FILTER - EXHAUST - CHUTE	1
3	6234979	LOCATOR AND BRACKET ASSY - DUAL BREWER	OPT
4	6237352	LOCATOR AND BRACKET ASSY - SINGLE BREWER	OPT

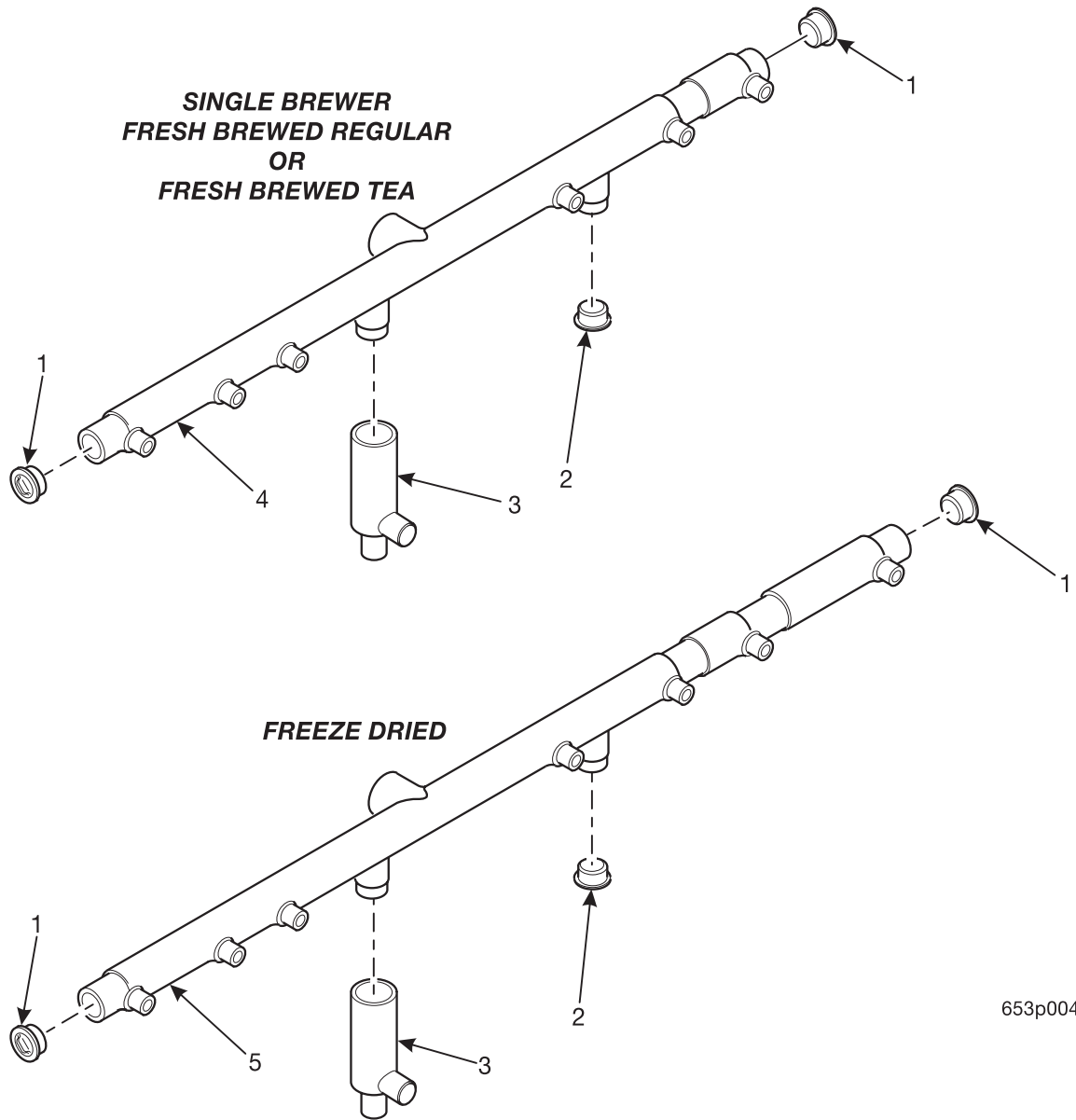


623P0068

Figure 56. Mixing Bowl Ventilation Assembly

TABLE 56. MIXING BOWL VENTILATION ASSEMBLY

INDEX	PART NUMBER	DESCRIPTION	QTY
1	6237355	HOSE - EXHAUST - 29.5 " LONG	1
2	6137157	COUPLING VENT HOSE	2
3	-	SHELF VENT ASSEMBLY (SEE FIGURE 59)	-
4	-	BRACKET, BLOWER, AND COVER ASSEMBLY (SEE FIGURE 58)	1

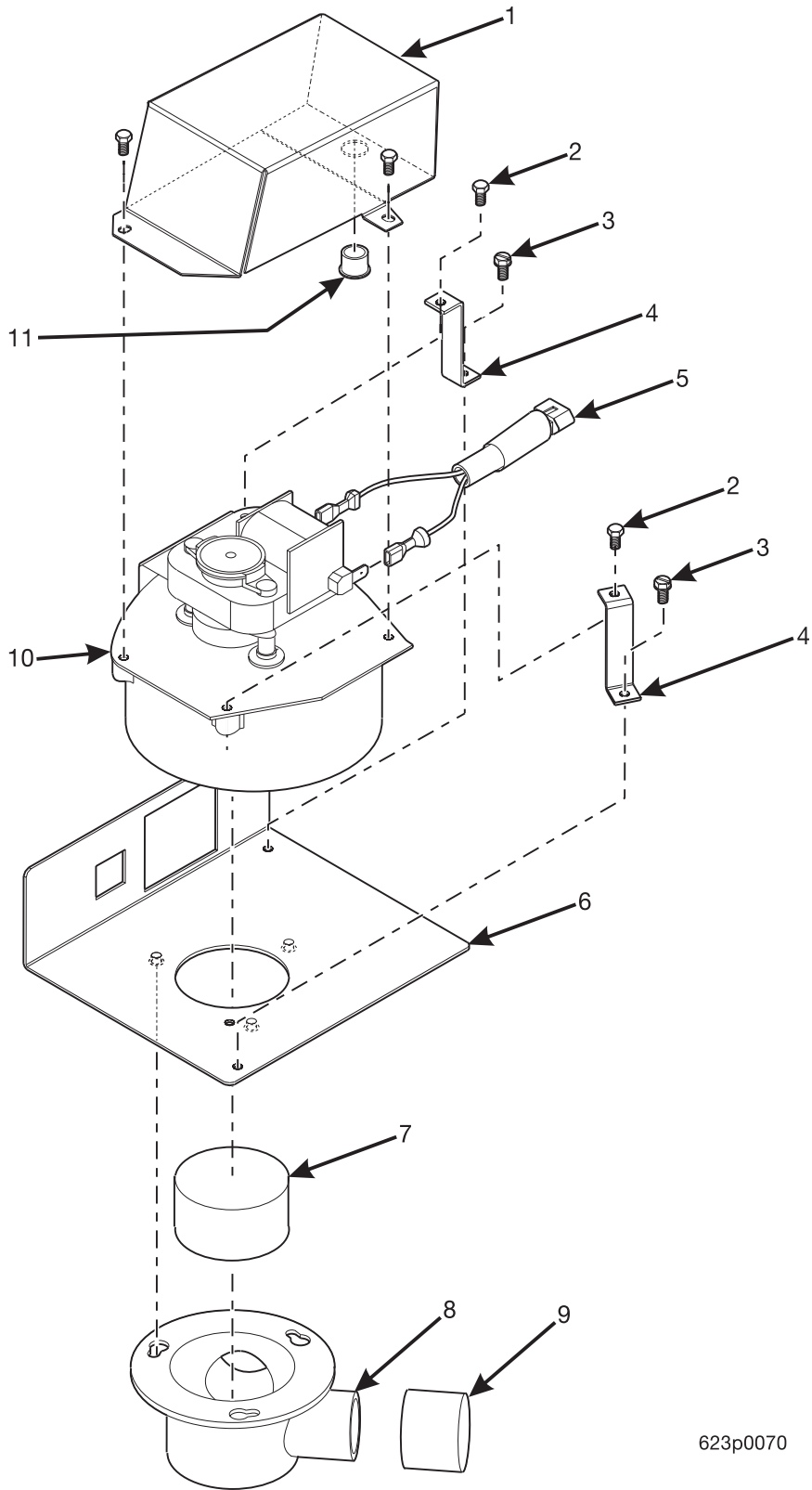


653p0048

Figure 57. Rear Vent Assemblies

TABLE 57. REAR VENT ASSEMBLIES

INDEX	PART NUMBER	DESCRIPTION	QTY
1	6237335	VINYL CAP - 1.00 I.D X .50 LONG - .38 HOLE	2
2	6237301	PLUG - CENTER PULL - .93	1
3	6237336	VENT - EXTENSION - SUGAR/LIGHTENER	1
4	6337109	VENT - SHELF - SINGLE FRESH BREW	(OPT)
5	6551004	VENT - SHELF - FREEZE DRY	(OPT)



623p0070

Figure 58. Bracket, Blower, and Cover Assembly

TABLE 58. BRACKET, BLOWER, AND COVER ASSEMBLY

INDEX	PART NUMBER	DESCRIPTION	QTY
-	6331089	BRACKET, BLOWER, AND COVER ASSEMBLY (110 V)	OPT
	6331090	BRACKET, BLOWER, AND COVER ASSEMBLY (230 V)	
1	6231074	GUARD - BLOWER MOTOR	1
2	1437204	SCREW - #8-10 X .38 HEX HD.TF	2
3	1451097	SCREW - #8-32 X .31 HEX HD.TF-BL	2
4	6231553	TIE DOWN - BLOWER ASSEMBLY	2
5	9989676	JUMPER - BLOWER	1
6	6231550	BRACKET ASSEMBLY - BLOWER MOUNTING (U.S.)	1
7	6237340	FILTER - EXHAUST BLOWER	1
8	6237342	HOUSING - EXHAUST BLOWER	1
9	6237305	VINYL CAP - 1.25 I.D (FREEZE DRY APPLICATIONS)	1
10	4312210	BLOWER ASSEMBLY - 120V	1
	4312211	BLOWER ASSEMBLY - 230V	
11	6502097	BUSHING #OCB-500	1

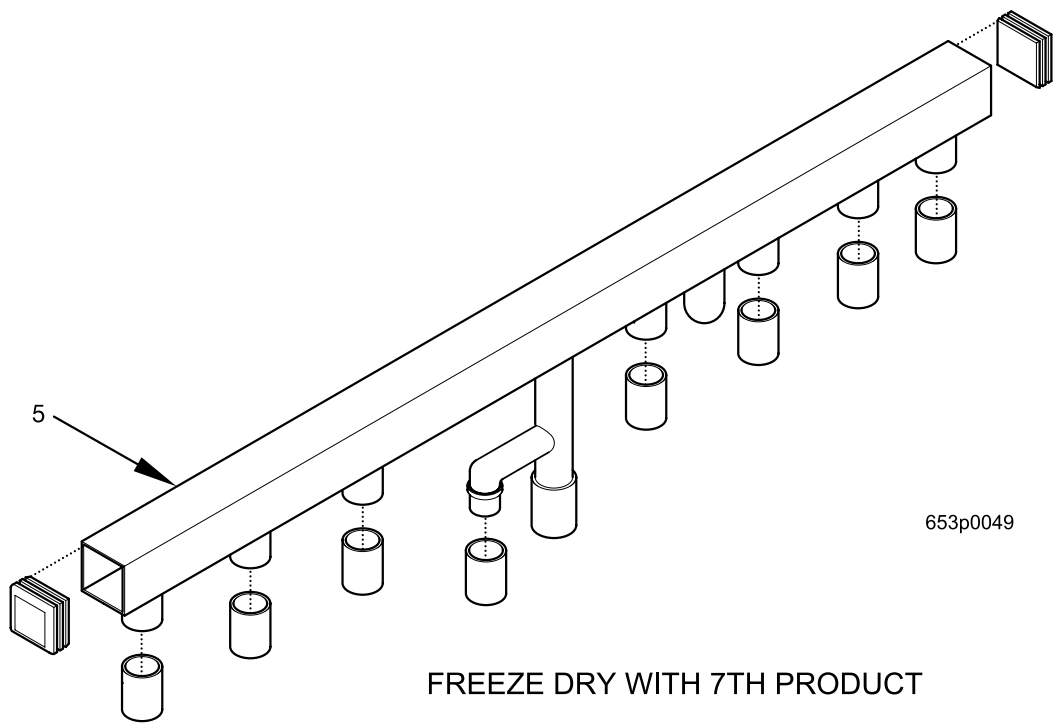
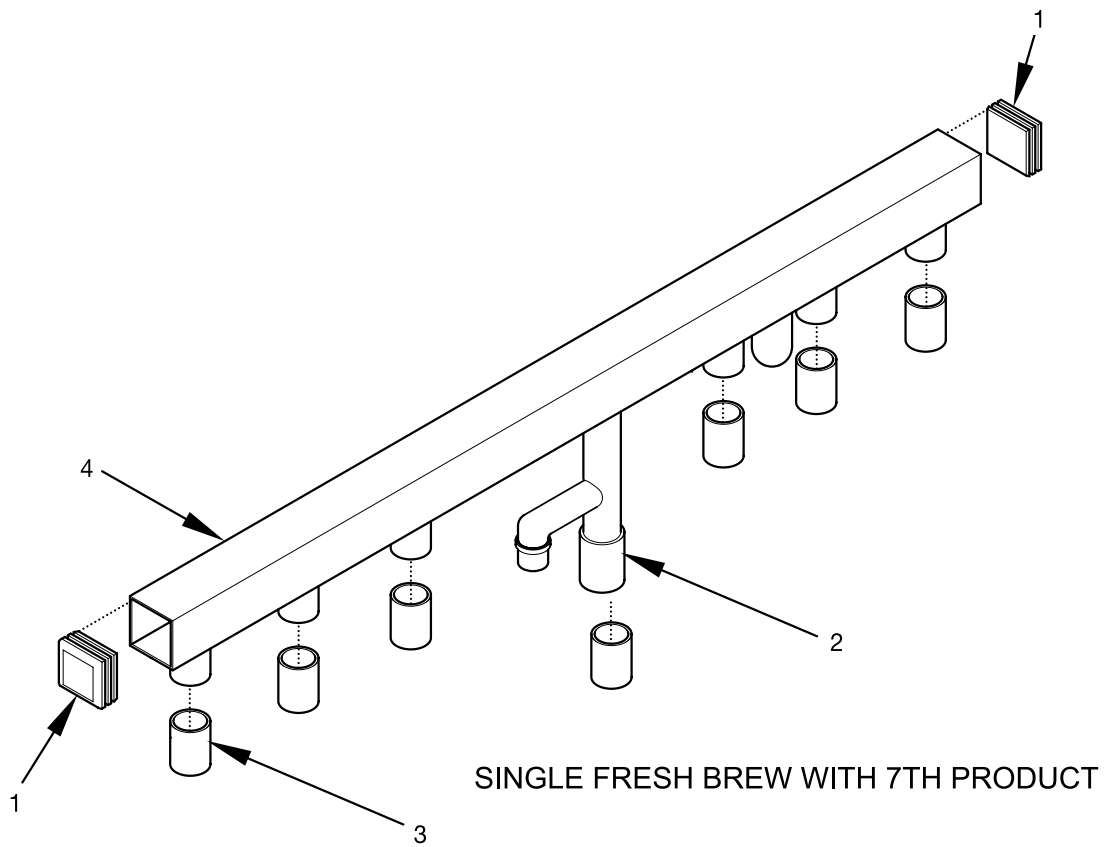


Figure 59. Vent Assembly - Front

TABLE 59. VENT ASSEMBLY - FRONT

INDEX	PART NUMBER	DESCRIPTION	QTY
-	6537002	VENT ASSEMBLY - SINGLE FRESH BREW -W/7TH PROD (INCLUDES INDEX NUMBERS 1 THROUGH 4)	REF
-	6557001	VENT ASSEMBLY - FREEZE DRY -W/7TH PROD (INCLUDES INDEX NUMBERS 1 THROUGH 3 AND 5)	REF
1	6337082	CAP - MANIFOLD	2
2	6337044	VENT - SUGAR/LIGHTENER - ADAPTOR	1
3	6337049	TUBE - EXTENSION - SILICONE - SINGLE FRESH BREW	7
		TUBE - EXTENSION - SILICONE - FREEZE DRY	8
4	6537001	VENT - FRONT - SINGLE FRESH BREW	1
5	6551005	VENT - FRONT - FREEZE DRY	1

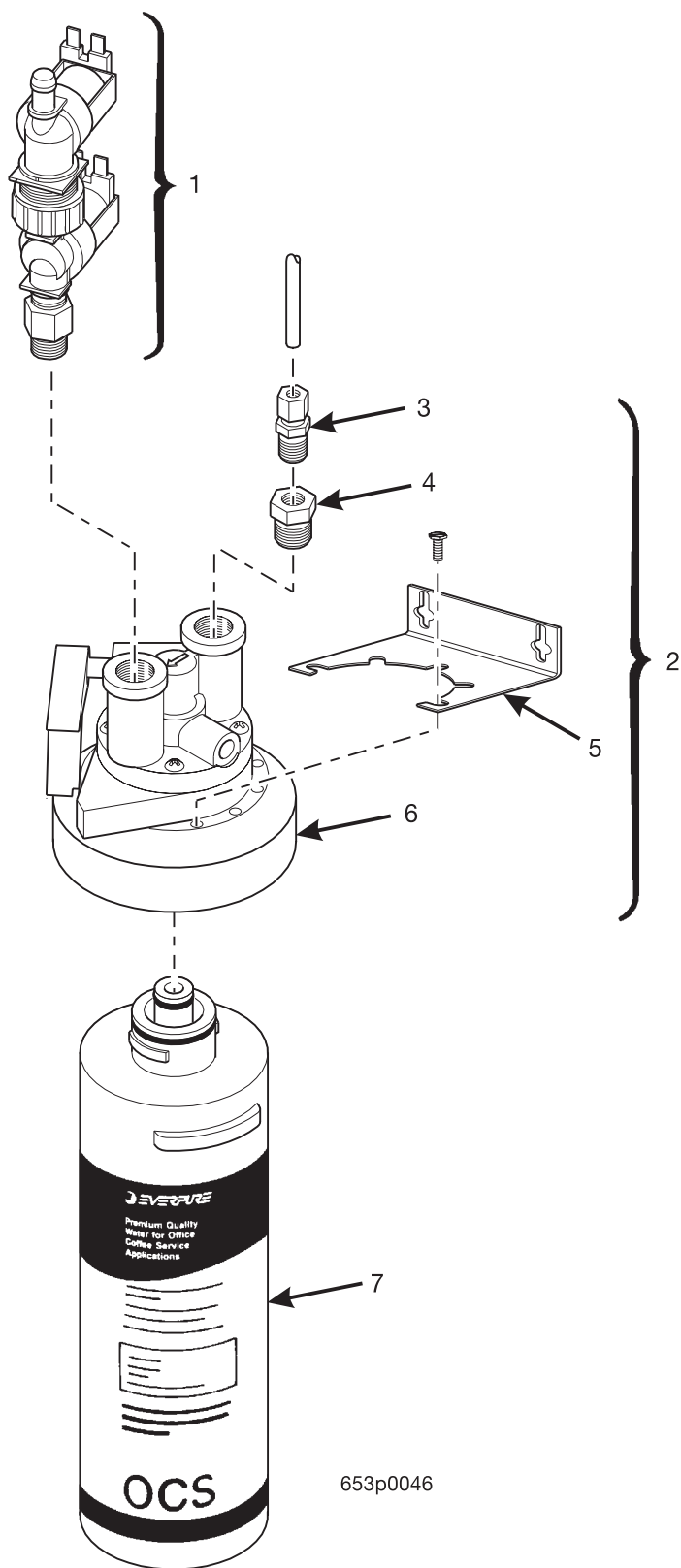


Figure 60. Water Supply - With Everpure Water Filter Option

TABLE 60. WATER SUPPLY - WITH EVERPURE WATER FILTER OPTION

INDEX	PART NUMBER	DESCRIPTION	QTY
1	3158061	VALVE ASSEMBLY - WATER INLET - U.S.	1
2	6408025	FILTER HEAD ASSEMBLY - EVERPURE - 115V (INCLUDES INDEX NUMBERS 1 AND 3 THROUGH 6) (U.S.)	1
3	6408119	MALE CONNECTOR - BRASS #4-4 FBI 12-B PARKER	1
4	6408117	BUSHING - 1/4 X 3/8 - BRASS - 209P-6-4	1
5	3158023	BRACKET - MOUNTING - WATER FILTER #3046 44	1
6	6408134	FILTER HEAD - EVERPURE #9257-12	1
7	6118071	CARTRIDGE - WATER FILTER #9604-12 EVERPURE	1

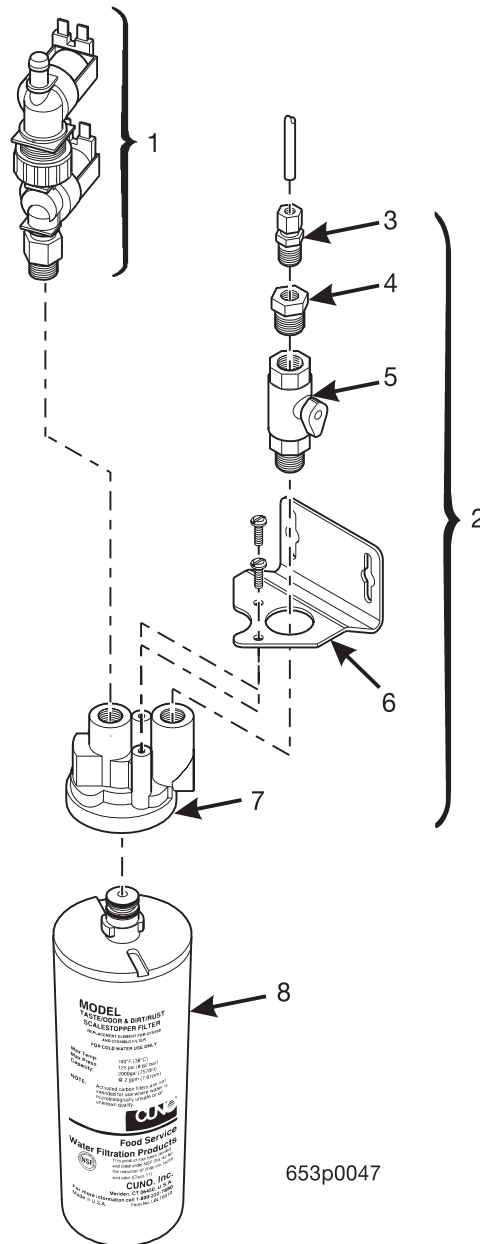
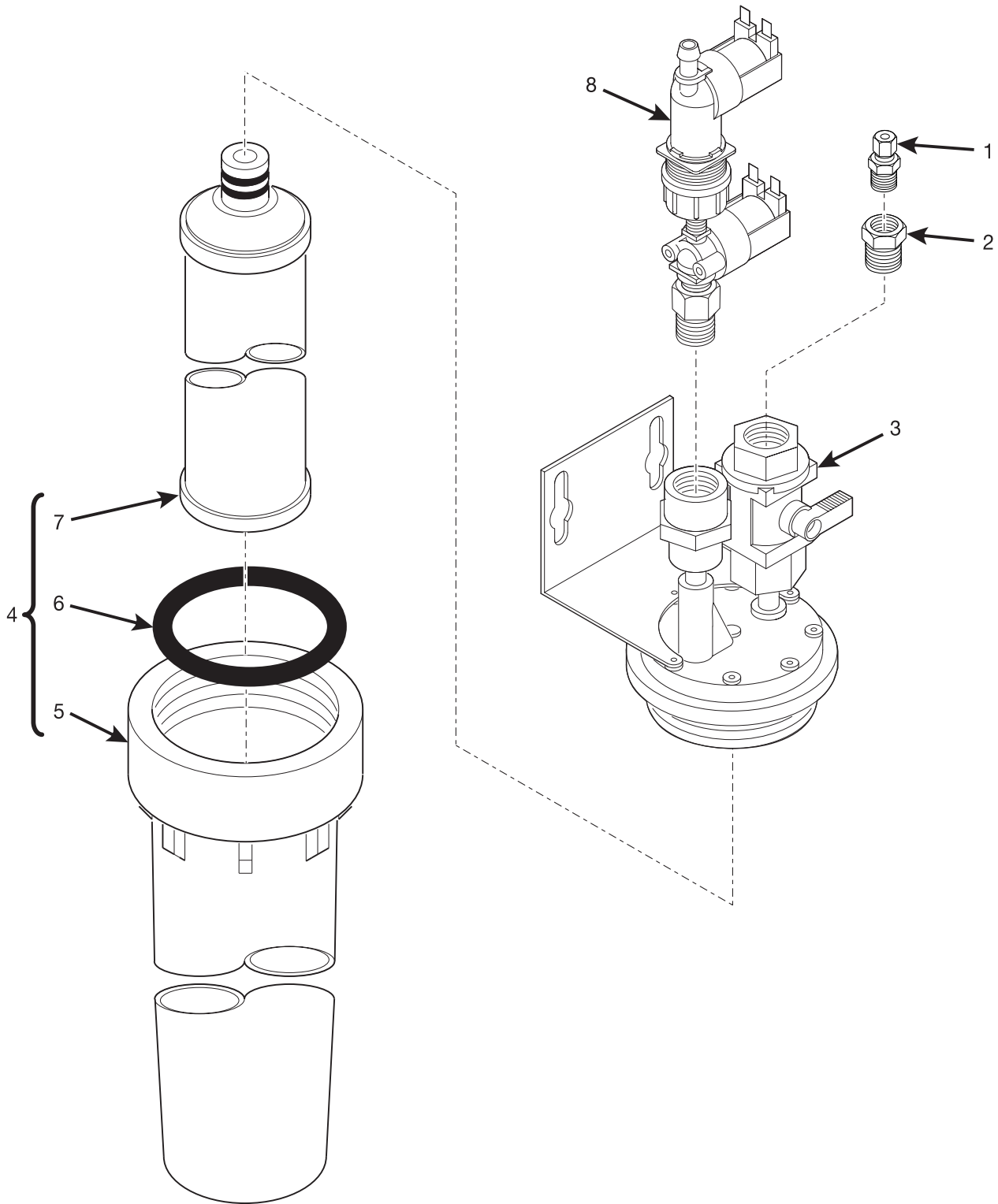


Figure 61. Water Supply - With Cuno Water Filter Option

TABLE 61. WATER SUPPLY - WITH CUNO WATER FILTER OPTION

INDEX	PART NUMBER	DESCRIPTION	QTY
1	3158061	VALVE ASSEMBLY - WATER INLET - U.S.	1
2	6338018	FILTER HEAD ASSEMBLY - CUNO - 115V (INCLUDES INDEX NUMBERS 1 AND 3 THROUGH 7) (U.S.)	1
3	6408119	MALE CONNECTOR - BRASS #4-4 FBI 12-B PARKER	1
4	6408117	BUSHING - 1/4 X 3/8 - BRASS - 209P-6-4	1
5	6408113	BALL VALVE - 3/8" - TTC	1
6	6408115	BRACKET - CUNO WATER FILTER HEAD #69682-31 MODEL CFS570	1
7	6408114	FILTER HEAD - CUNO #68375-01	1
8	6338015	WATER FILTER - CUNO - HOT - 12/CD MODEL CD-71	1



634p0017

Figure 62. Water Supply - With Hydrolife Option

TABLE 62. WATER SUPPLY - WITH HYDROLIFE OPTION

INDEX	PART NUMBER	DESCRIPTION	QTY
1	6408119	MALE CONNECTOR - BRASS #4-4 - FBI 2-B	1
2	6408117	BUSING - 1/4 X 3/8 - BRASS - 209P-6-4	1
3	6338027	HEAD - BRACKET ASSEMBLY	1
4	6408028	HOUSING, CARTRIDGE "O" RING	1
5	-	HOUSING (NOT AVAILABLE SEPERATELY)	1
6	-	"O" RING (NOT AVAILABLE SEPERATELY)	1
7	6408027	WATER FILTER CARTRIDE - HYDROLIFE	1
8	3158061	VALVE ASSEMBLY - WATER INLET - 115V	1

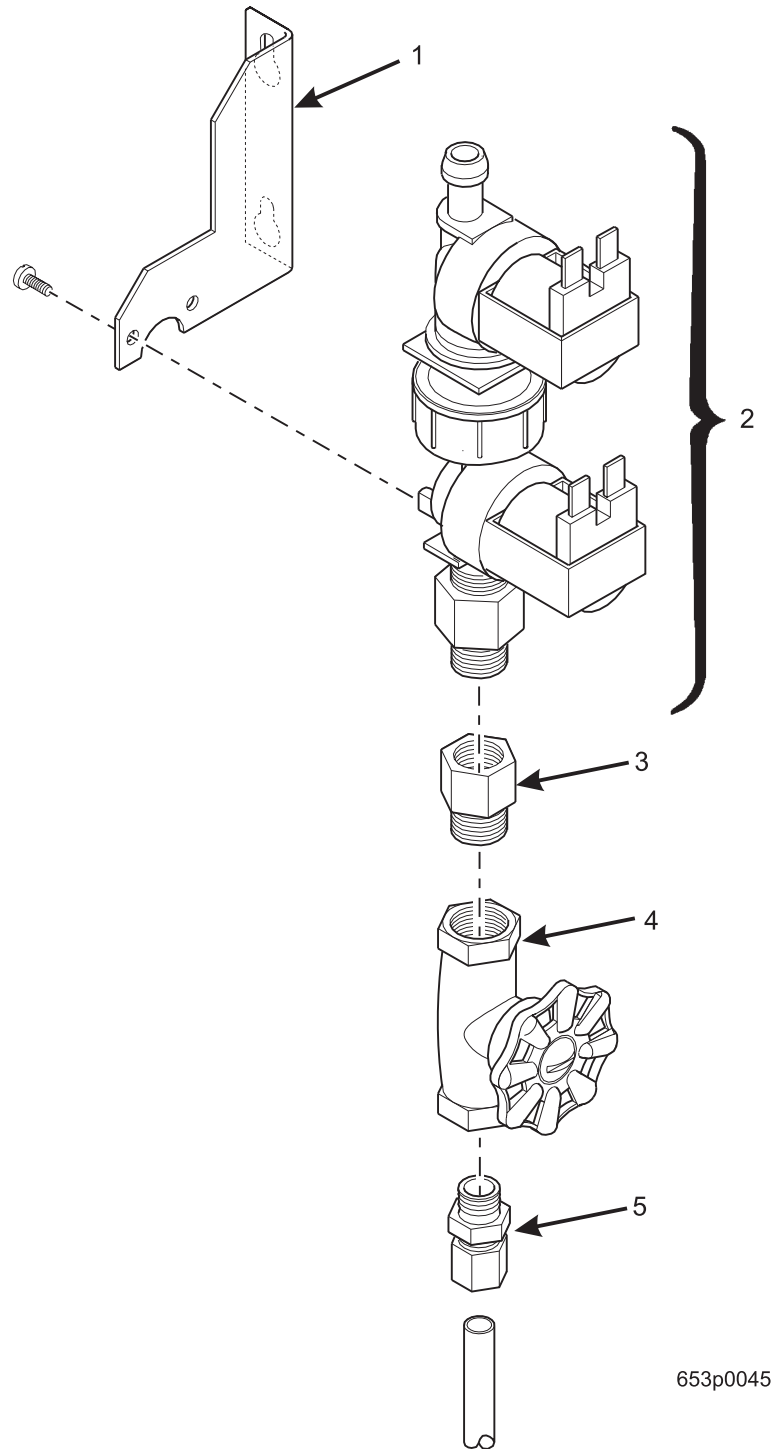


Figure 63. Water Supply - Without Water Filter Option

TABLE 63. WATER SUPPLY - WITHOUT WATER FILTER OPTION

INDEX	PART NUMBER	DESCRIPTION	QTY
1	6231501	SUPPORT - INLET WATER VALVE	1
2	3158061	VALVE ASSEMBLY - WATER INLET (U.S.)	1
3	6231503	ADAPTER - 3/8-1/4 #120B 06 X 0	1
4	3108048	VALVE WATER - CONBRACO #57-001-	1
5	6408119	MALE CONNECTOR - BRASS - #4-4-FBI12	1

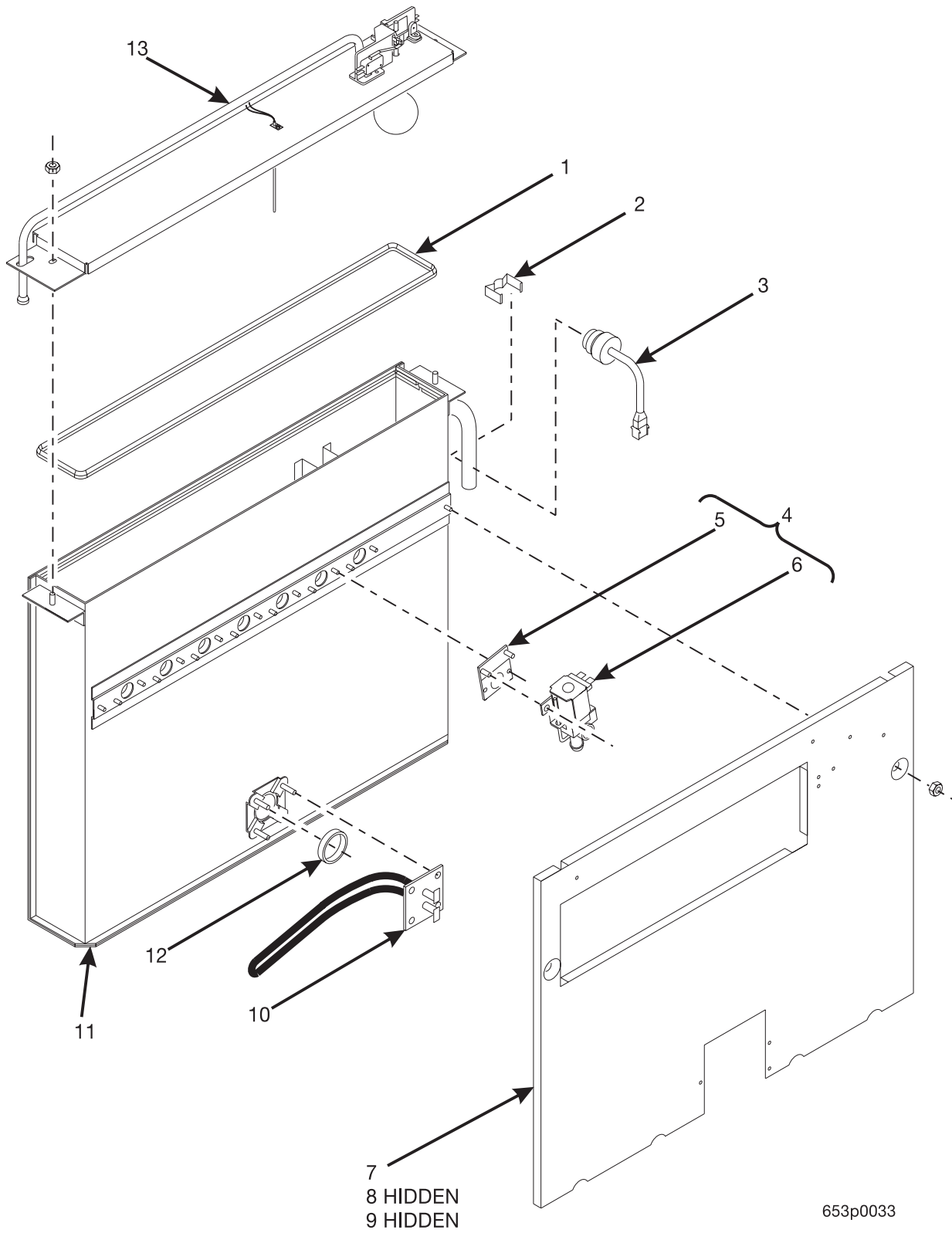


Figure 64. Hot Water Tank Assembly

TABLE 64. HOT WATER TANK ASSEMBLY

INDEX	PART NUMBER	DESCRIPTION	QTY
-	6558007	WATER TANK ASSEMBLY - BASIC - DOM	1
1	6238026	GASKET - VULCANIZED - WATER TANK	1
2	6338002	CLAMP - THERMOSTAT - 5/8 O.D.	1
3	6338003	THERMOSTAT ASSEMBLY - AUTO RESET	1
4	6238112X	VALVE ASSEMBLY - H.W.T. - 115V (INCLUDES THE FOLLOWING 5 ITEMS)	OPT.
5	6238113	VALVE - MOUNTING PLATE & STUD ASSEMBLY	1
6	6338053	VALVE - 120V - H.W.T.	1
-	6338054	VENT - ELBOW - SIEBE K72876	1
-	6238074	"O" RING - .48 ID X .10 (NOT SHOWN)	1
-	9900081	NUT - #8-32 KEPS ZINC PLATE (NOT SHOWN)	1
7	6238075	COVER - FRONT - WATER TANK	1
8	6238137	INSULATION - TOP - HOT WATER TANK (NOT SHOWN)	1
9	6238136	INSULATION - BOTTOM - HOT WATER TANK (NOT SHOWN)	1
10	6338041	HEATER - 1250W - 120V	1
11	6558004	WELD ASSEMBLY - WATER TANK	1
12	6238042	GASKET - HEATER	1
13	6338046	LID ASSEMBLY - FINAL - H.W.T.	1

ALSO AVAILABLE

-	9905010	REPL. PKG - WATER VALVE - HOT DRINK (CONTAINS 10 EACH OF "O" RING PART NUMBER 6238074)	
---	---------	--	--

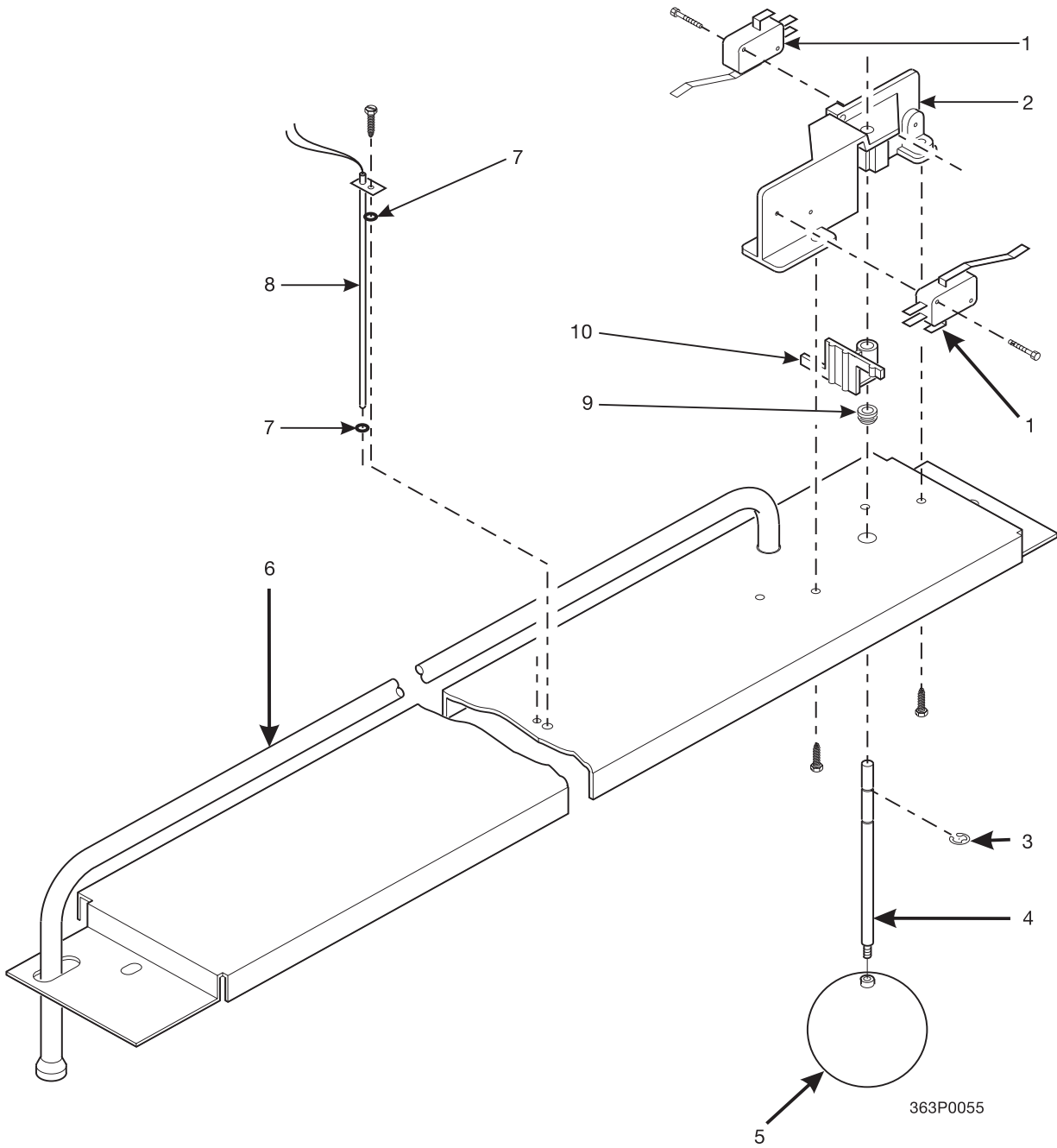
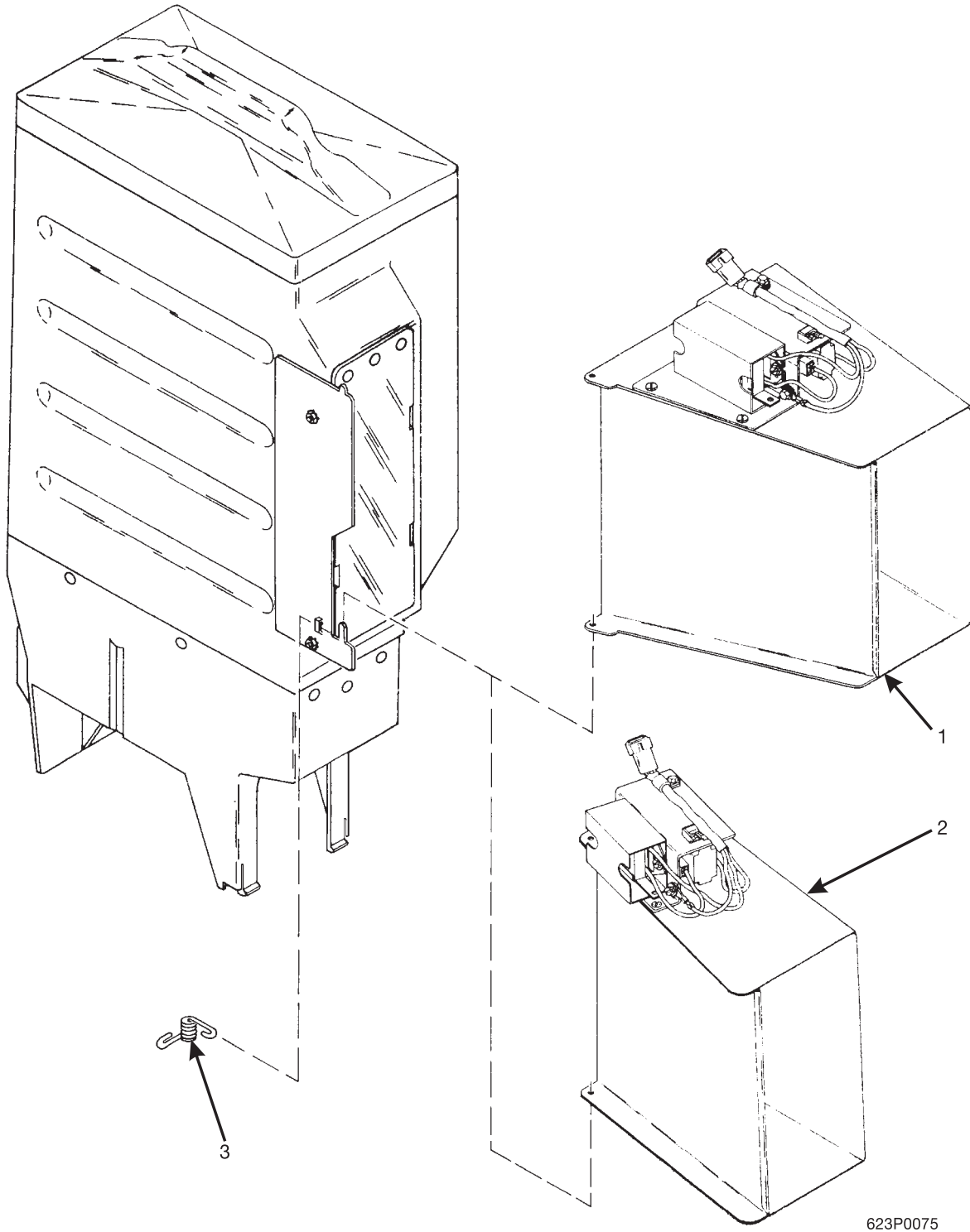


Figure 65. Water Tank Lid Assembly

TABLE 65. WATER TANK LID ASSEMBLY

INDEX	PART NUMBER	DESCRIPTION	QTY
-	6338046	LID ASSEMBLY - FINAL - H.W.T.	-
1	6238084	SWITCH - LEVER - 10 GRAM	2
2	6238068	BRACKET - MOUNTING - SWITCH	1
3	6124073	RETAINING RING REINF. E TYP.156	1
4	6338049	SHAFT - FLOAT	1
5	6508033	FLOAT - WATER TANK	1
6	6338047	WELD ASSEMBLY - COVER - LG. INLET - W.T.	1
7	6138287	O RING	2
8	6338051	SENSOR - TEMPERATURE - H.W.T.	1
9	6338050	BEARING - LID - HOT WATER TANK	1
10	6138183	ACTUATOR - SWITCH	1



623P0075

Figure 66. Bean Window Assemblies

TABLE 66. BEAN WINDOW ASSEMBLIES

INDEX	PART NUMBER	DESCRIPTION	QTY
1	6237519	DUAL BEAN WINDOW ASSEMBLY - FINAL (SEE FIGURE 67) (U.S.)	OPT.
	6337007	DUAL BEAN WINDOW ASSEMBLY - FINAL (SEE FIGURE 67) (GER.)	OPT.
2	6237520	SINGLE BEAN WINDOW ASSEMBLY - FINAL (SEE FIGURE 68) (U.S.)	OPT.
	6337006	SINGLE BEAN WINDOW ASSEMBLY - FINAL (SEE FIGURE 68) (ARG./AUS./FR./N.Z./S.A./SP./U.K.)	OPT.
3	6237098	SPRING - BEAN WINDOW	OPT.

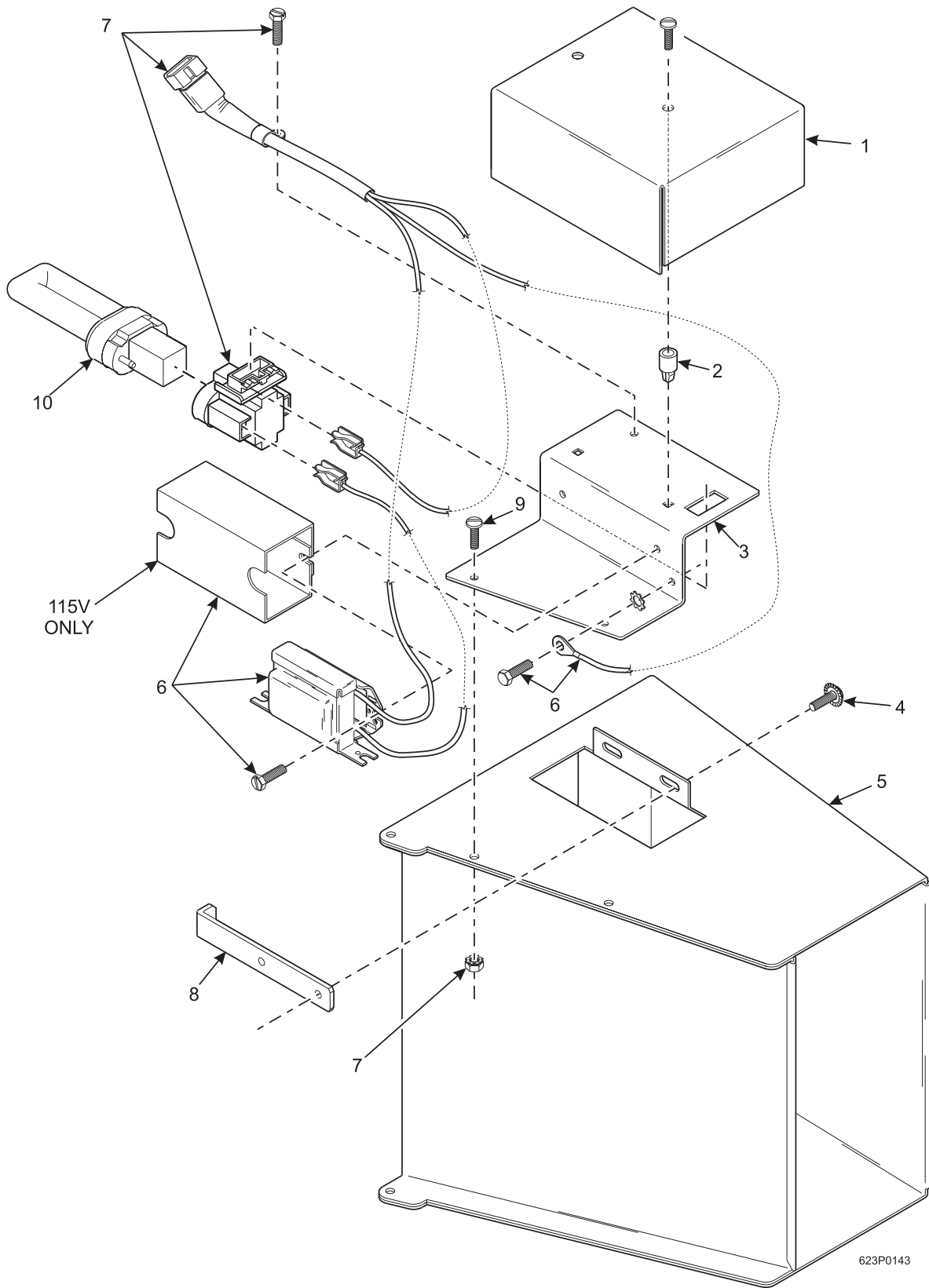
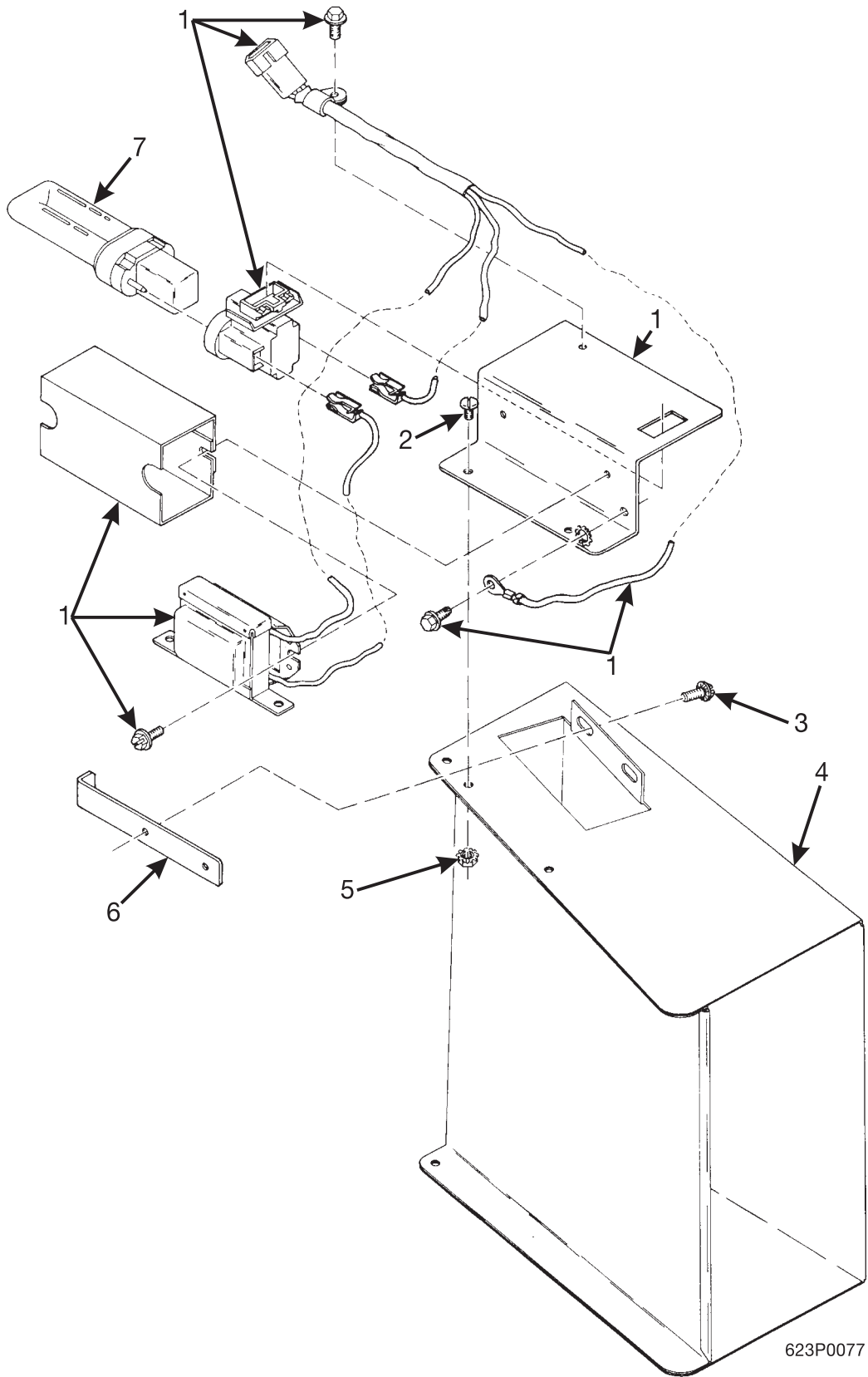


Figure 67. Dual Bean Window Assembly

TABLE 67. DUAL BEAN WINDOW ASSEMBLY

INDEX	PART NUMBER	DESCRIPTION	QTY
-	6237519	DUAL BEAN ASSEMBLY - FINAL (U.S.)	REF
1	-	NOT USED WITH THIS APPLICATION	1
2	-	NOT USED WITH THIS APPLICATION	2
3	6337009	BRACKET - LIGHT - DUAL BEAN WINDOW	1
4	3157060	SCREW - #8-32 X .31 HEX W/HD. SLOTTED - T/F - ZINC PL	2
5	6237530	BEAN WINDOW ASSEMBLY - DUAL	1
6	6237514	BRACKET AND BALLAST ASSEMBLY (SHOWN EXPLODED FOR CLARITY) (U.S.)	1
7	9900081	NUT, #8-32 KEPS ZINC PLATE	2
8	6237512	STOP - BEAN WINDOW	1
9	9900118	SCREW #8-32 X 3/8 PHS	2
10	6222011	TWIN TUBE - FLUORESCENT LAMP	1

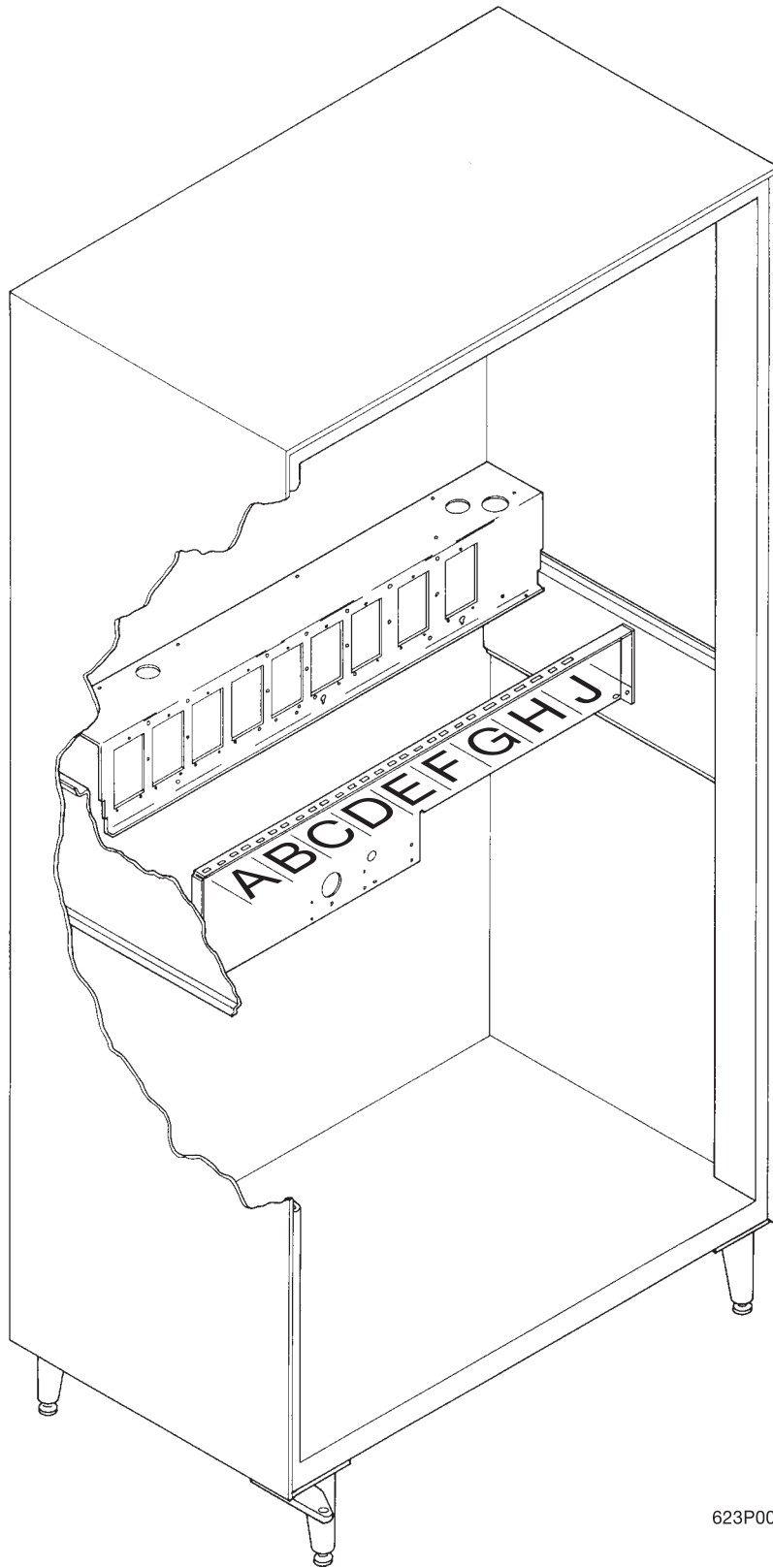


623P0077

Figure 68. Single Bean Window Assembly - U.S.

TABLE 68. SINGLE BEAN WINDOW ASSEMBLY - U.S.

INDEX	PART NUMBER	DESCRIPTION	QTY
-	6237520	SINGLE BEAN WINDOW ASSEMBLY - FINAL (U.S.)	REF
1	6237513	BRACKET AND BALLAST ASSEMBLY (SHOWN EXPLODED FOR CLARITY) (U.S.)	1
2	9900118	SCREW, #8-32 X 3/8 PHS	2
3	3157060	SCREW, #8-32 X .31 HEX W/HD SLOTTED	2
4	6237528	BEAN WINDOW ASSEMBLY - SINGLE	1
5	9900081	NUT, #8-32 KEPS ZINC PLATE	2
6	6237512	STOP - BEAN WINDOW	1
7	6222011	TWIN TUDE - FLUORESCENT LAMP	1



623P0078

Figure 69. Canister Usage

TABLE 69. CANISTER USAGE

CANISTER POSITION	DETAIL FIGURE	INGREDIENT	QTY	CANISTER ASSEMBLY PART NUMBER
A	70	CHOCOLATE	1	6537023
B	71	SOLUBLE PRODUCT	1	6597024
C	71	SOLUBLE PRODUCT	1	6597024
D	72	LIGHTENER	1	6237446
E	76	SUGAR	1	6537025
F	71	SOLUBLE PRODUCT	1	6537024
G	73	INSTANT TEA	1	6537022
	73	F.D. COFFEE	1	6537022
H	73	FREEZE DRY DECAF OR COFFEE	1	6537022
J	73	FREEZE DRY DECAF OR COFFEE	1	6537022
	75	BEAN DECAF OR COFFEE (WITH SINGLE GRINDER WINDOW)	1	6237422
	74	PRE-GROUND COFFEE OR DECAF	1	6337022

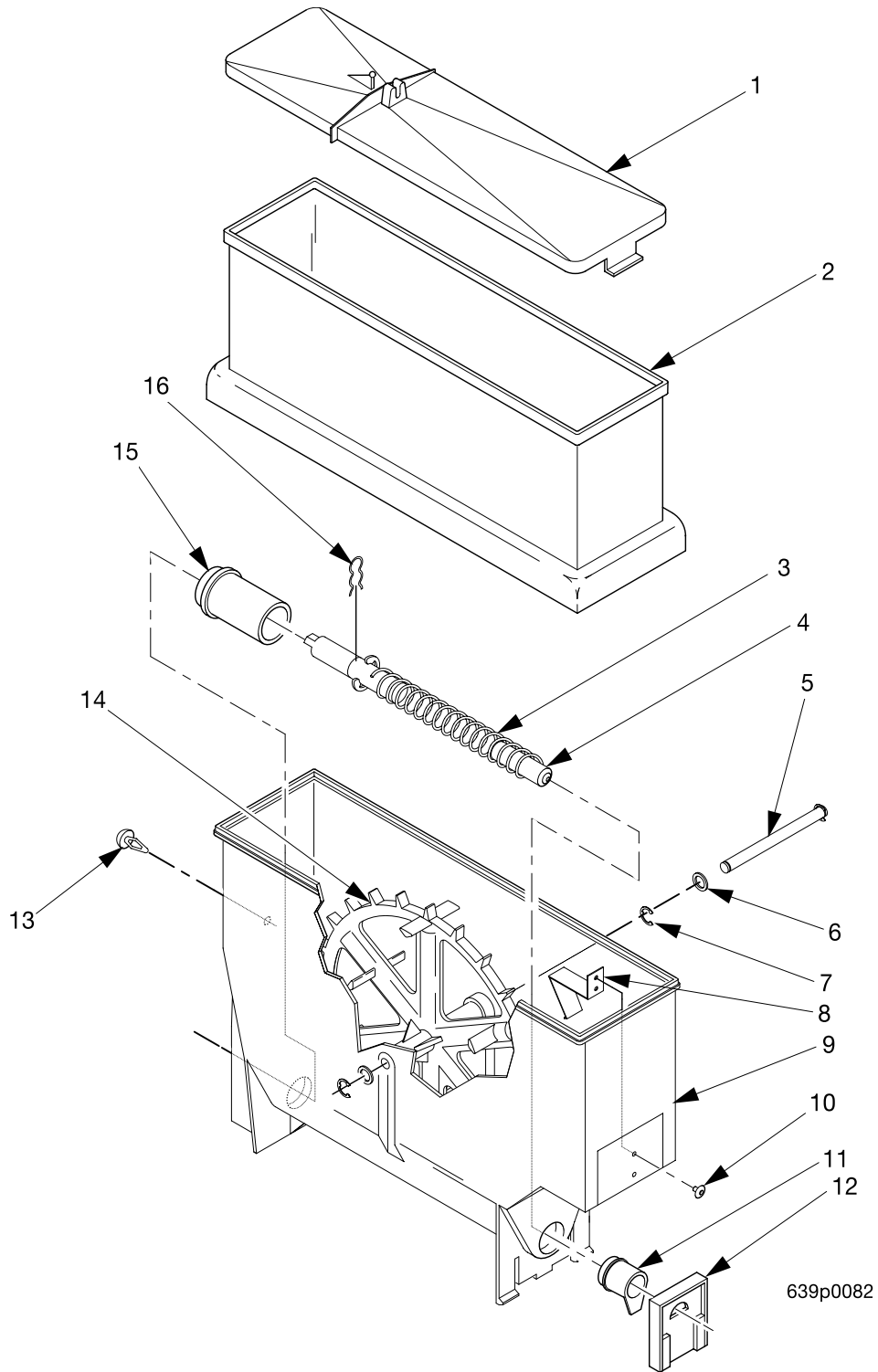


Figure 70. Canister Assembly 6537023

TABLE 70. CANISTER ASSEMBLY 6537023

INDEX	PART NUMBER	DESCRIPTION	QTY
-	6537023	CANISTER ASSEMBLY - CHOCOLATE	-
1	6237023	LID - CANISTER	1
2	6237439	SLEEVE - CANISTER	1
3	6537018	AUGER AND SHAFT ASSEMBLY (INCLUDES THE NEXT 3 ITEMS)	1
-	6237025	RETAINING RING-"E"-.500	1
4	6537021	PLUG - AUGER	1
5	6237167	SHAFT - CANISTER	1
6	6237116	WASHER - SEAL - WEAR PLATE	2
7	9900415	RETAINING RING REINF E TYP.1	2
8	6237108	SPRING - THUMPER	1
9	6237177	BASE - CANISTER - THUMPER	1
10	6537026	ALUMINUM CAP RIVET-.187 DIA	2
11	6537014	NOZZLE - DISPENSING - F.D. COFFEE	1
12	6537013	GATE - NOZZLE - PLASTIC	1
13	6237053	FASTENER - PUSH IN	1
14	6237181	MIXING WHEEL	1
15	6237014	BEARING - CANISTER	1
16	6337020	CLIP - SPRING	1

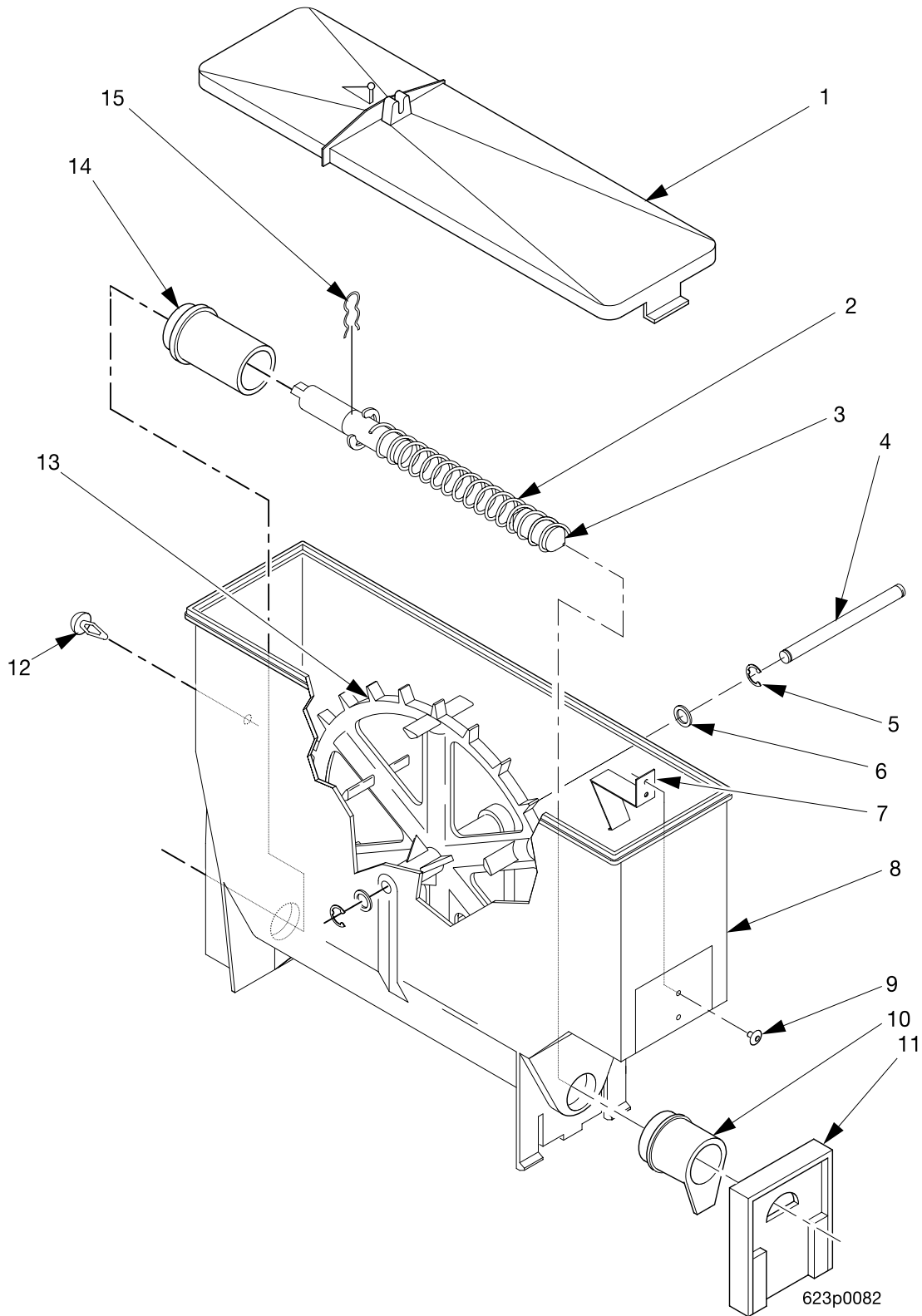


Figure 71. Canister Assembly 6537024

TABLE 71. CANISTER ASSEMBLY 6537024

INDEX	PART NUMBER	DESCRIPTION	QTY
-	6537024	CANISTER ASSEMBLY - SOUP/6TH PRODUCT	-
1	6237023	LID - CANISTER	1
2	6537018	AUGER AND SHAFT ASSEMBLY (INCLUDES THE NEXT 3 ITEMS)	1
-	6537017	AUGER-CANISTER	1
-	6237025	RETAINING RING-"E"-.500	1
-	6337016	SHAFT-AUGER-LONG	1
3	6537021	PLUG - AUGER	1
4	6237167	SHAFT - CANISTER	1
5	9900415	RETAINING RING REINF E TYP.1	2
6	6237116	WASHER - SEAL - WEAR PLATE	2
7	6237108	SPRING - THUMPER	1
8	6237177	BASE - CANISTER - THUMPER	1
9	6537026	ALUMINUM CAP RIVET - .187 DIA	2
10	6537014	NOZZLE - DISPENSING - CANISTER	1
11	6537013	GATE - NOZZLE - PLASTIC	1
12	6237053	FASTENER - PUSH IN	1
13	6237181	MIXING WHEEL	1
14	6237014	BEARING - CANISTER	1
15	6337020	CLIP - SPRING	1

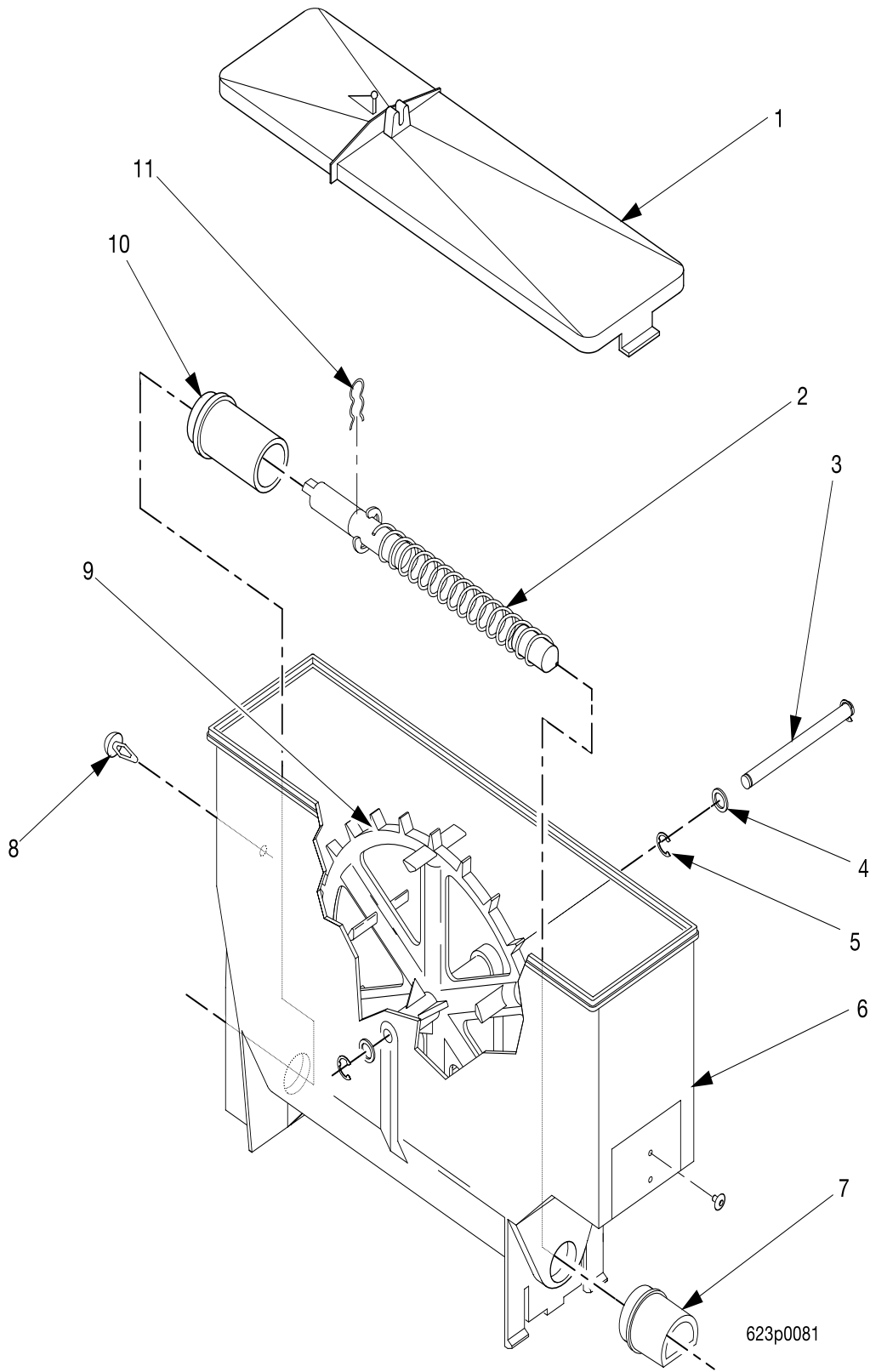


Figure 72. Canister Assembly 6237446

TABLE 72. CANISTER ASSEMBLY 6237446

INDEX	PART NUMBER	DESCRIPTION	QTY
-	6237446	CANISTER ASSEMBLY - LIGHTENER	-
1	6237023	LID - CANISTER	1
2	6237176	SPRING - THUMPER	1
3	6237106	NOZZLE - DISPENSING - CANISTER	1
4	6237180	PLUG AND AUGER ASSEMBLY (INCLUDES INDEX NUMBERS 5 AND 6)	1
5	6237046	PLUG - AUGER	1
6	6237179	AUGER ASSEMBLY (INCLUDES THE NEXT 3 ITEMS)	1
-	6237025	RETAINING RING-"E"-.500	1
-	6237129	AUGER-CANISTER	1
-	6337016	SHAFT-AUGER-LONG	1
7	6237020	CLIP - SPRING	1
8	9900415	RETAINING RING REINF E TYP.1	2
9	6237116	WASHER - SEAL - WEAR PLATE	2
10	6237167	SHAFT - CANISTER	1
11	6237053	FASTENER - PUSH IN	1
12	6237014	BEARING - CANISTER	1
13	6237181	MIXING WHEEL	1

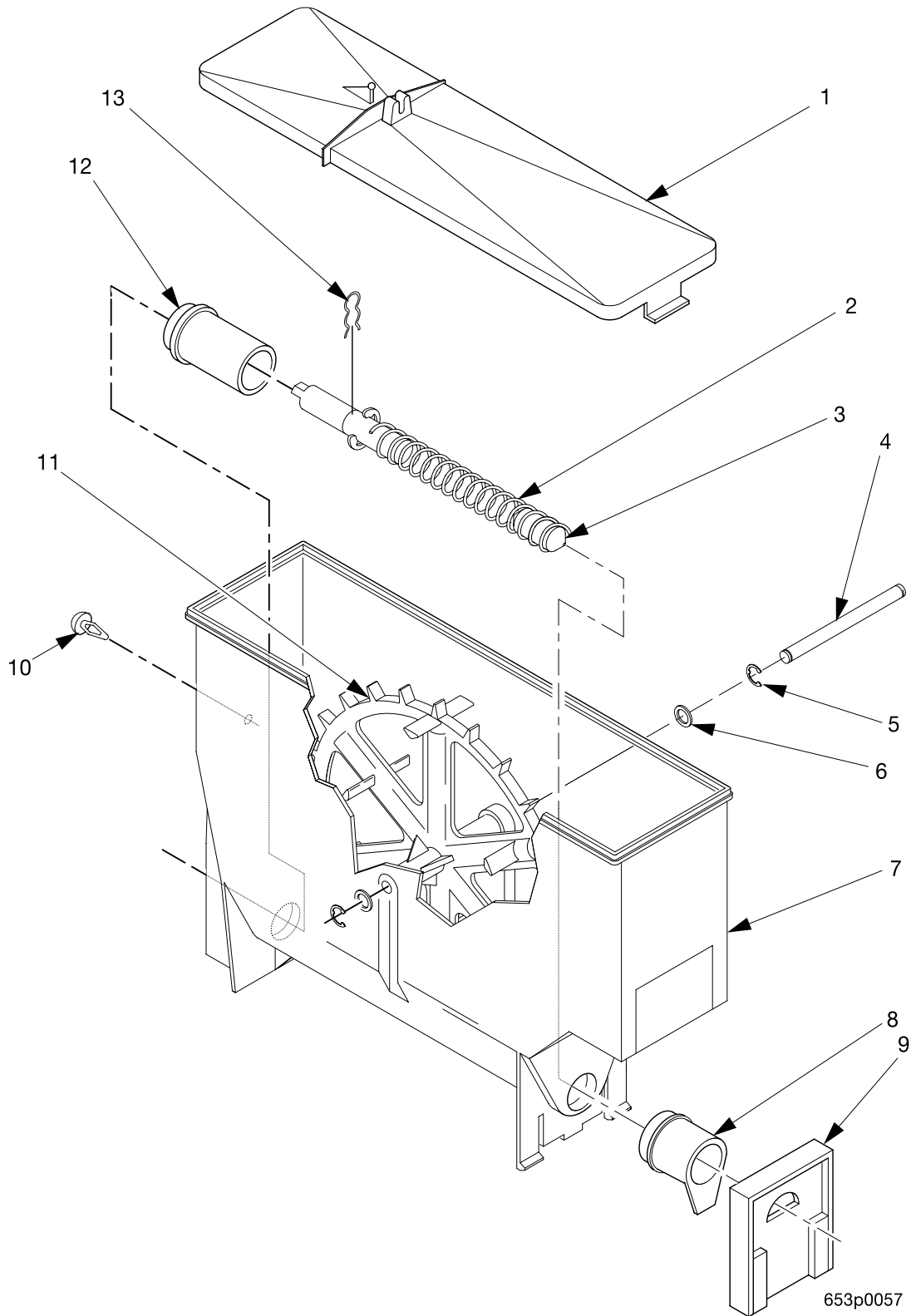
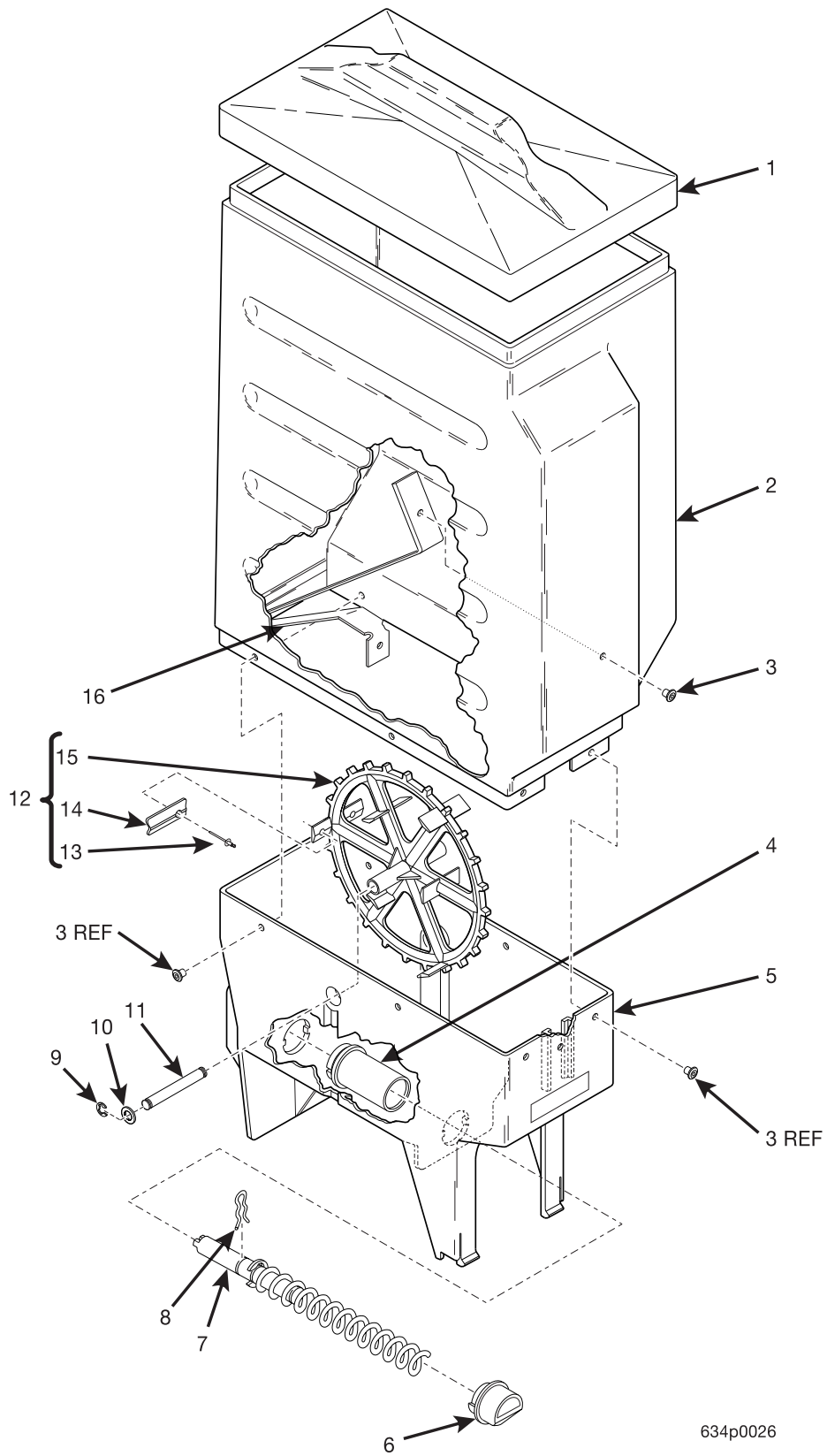


Figure 73. Canister Assembly 6537022

TABLE 73. CANISTER ASSEMBLY 6537022

INDEX	PART NUMBER	DESCRIPTION	QTY
-	6537022	CANISTER ASSEMBLY - FREEZE DRY COFFEE	-
1	6237023	LID - CANISTER	1
2	6537018	AUGER AND SHAFT ASSEMBLY (INCLUDES THE NEXT 3 ITEMS)	1
3	6537021	PLUG - AUGER	1
4	6237167	SHAFT - CANISTER	1
5	9900415	RETAINING RING REINF TYP.1	2
6	6237116	WASHER - SEAL - WEAR PLATE	2
7	6237176	BASE - CANISTER	1
8	6537014	NOZZLE - DISPENSING - CANISTER	1
9	6537013	GATE - NOZZLE - PLASTIC	1
10	6237053	FASTENER - PUSH IN	1
11	6237181	MIXING WHEEL	1
12	6237014	BEARING - CANISTER	1
13	6337020	CLIP - SPRING	1

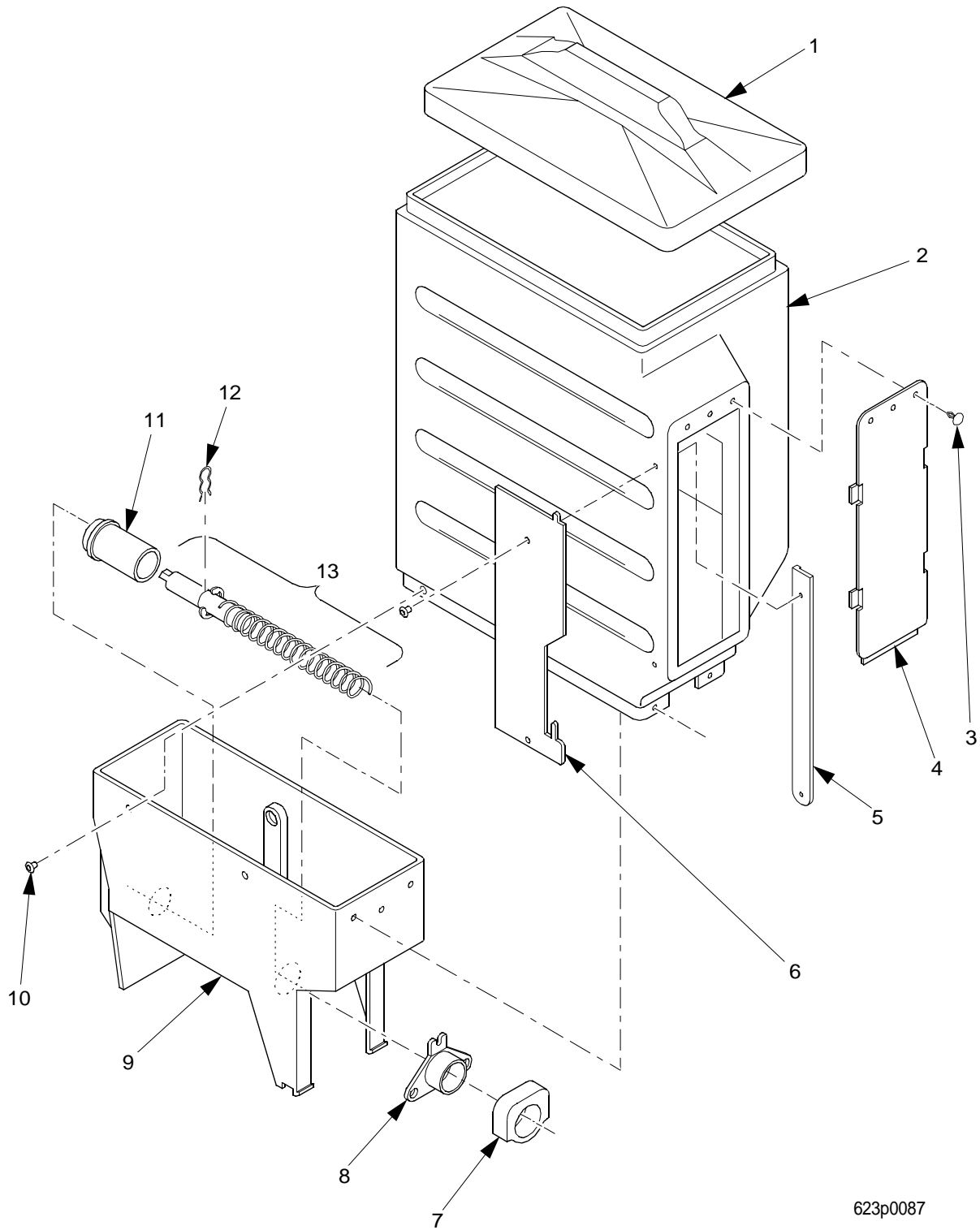


634p0026

Figure 74. Canister Assembly 6337022

TABLE 74. CANISTER ASSEMBLY 6337022

INDEX	PART NUMBER	DESCRIPTION	QTY
-	6337022	CANISTER ASSEMBLY - COFFEE - FRESH BREW	-
1	6237066	LID - CANISTER	1
2	6337024	SLEEVE - CAN. - PUNCHED - PRE GROUND COFFEE	1
3	6237019	ALUMINUM "POP: RIVETS - .187 DIA	8
4	6237014	BEARING - CANISTER	1
5	6337021	CANISTER BASE - F.B. COFFEE	1
6	6237063	NOZZLE - DISPENSING - CANISTER	1
7	6237095	AUGER AND SHAFT ASSEMBLY (INCLUDES THE NEXT 3 ITEMS)	1
-	6237025	RETAINING RING-"E"-.500	1
-	6237045	AUGER-CANISTER-COFFEE	1
-	6237097	SHAFT-AUGER	1
8	6337020	CLIP - SPRING	1
9	9900415	RETAINING RING - REINFORCED "E" TYPE - .156	2
10	6237116	WASHER - SEAL - WEAR PLATE	2
11	6337032	SHAFT - CANISTER - COFFEE	1
12	6337030	MIXING WHEEL ASSEMBLY (INCLUDES INDEX NUMBERS 13 THROUGH 16)	1
13	6237019	ALUMINUM "POP: RIVETS - .187 DIA	2
14	6337087	EXTENSION - WHEEL - F.B.	2
15	6337086	MIXING WHEEL - F.B. COFFEE	1
16	6237020	THUMPER SPRING - GROUND COFFEE	1



623p0087

Figure 75. Canister Assembly 6237422

TABLE 75. CANISTER ASSEMBLY 6237422

INDEX	PART NUMBER	DESCRIPTION	QTY
-	6237422	CANISTER ASSEMBLY - COFFEE BEAN	-
1	6237066	LID - CANISTER	1
2	6237065	SLEEVE - CANISTER	1
3	6237053	FASTENER - PUSH IN	4
4	6237087	WINDOW INSERT	1
5	6237518	STIFFENER - HINGE PLATE	1
6	6237517	HINGE PLATE - BEAN WINDOW	1
7	6237288	GASKET - GRINDER	1
8	6237031	NOZZLE	1
9	6237064	CANISTER BASE	1
10	6237019	ALUMINUM "POP" RIVETS - .187 DIA	8
11	6237014	BEARING - CANISTER	1
12	6337020	CLIP - SPRING	1
13	6237095	AUGER AND SHAFT ASSEMBLY (INCLUDES THE NEXT 3 ITEMS)	1
-	6237025	RETAINING RING-"E"-.500	1
-	6237045	AUGER-CANISTER-COFFEE	1
-	6237097	SHAFT-AUGER	1

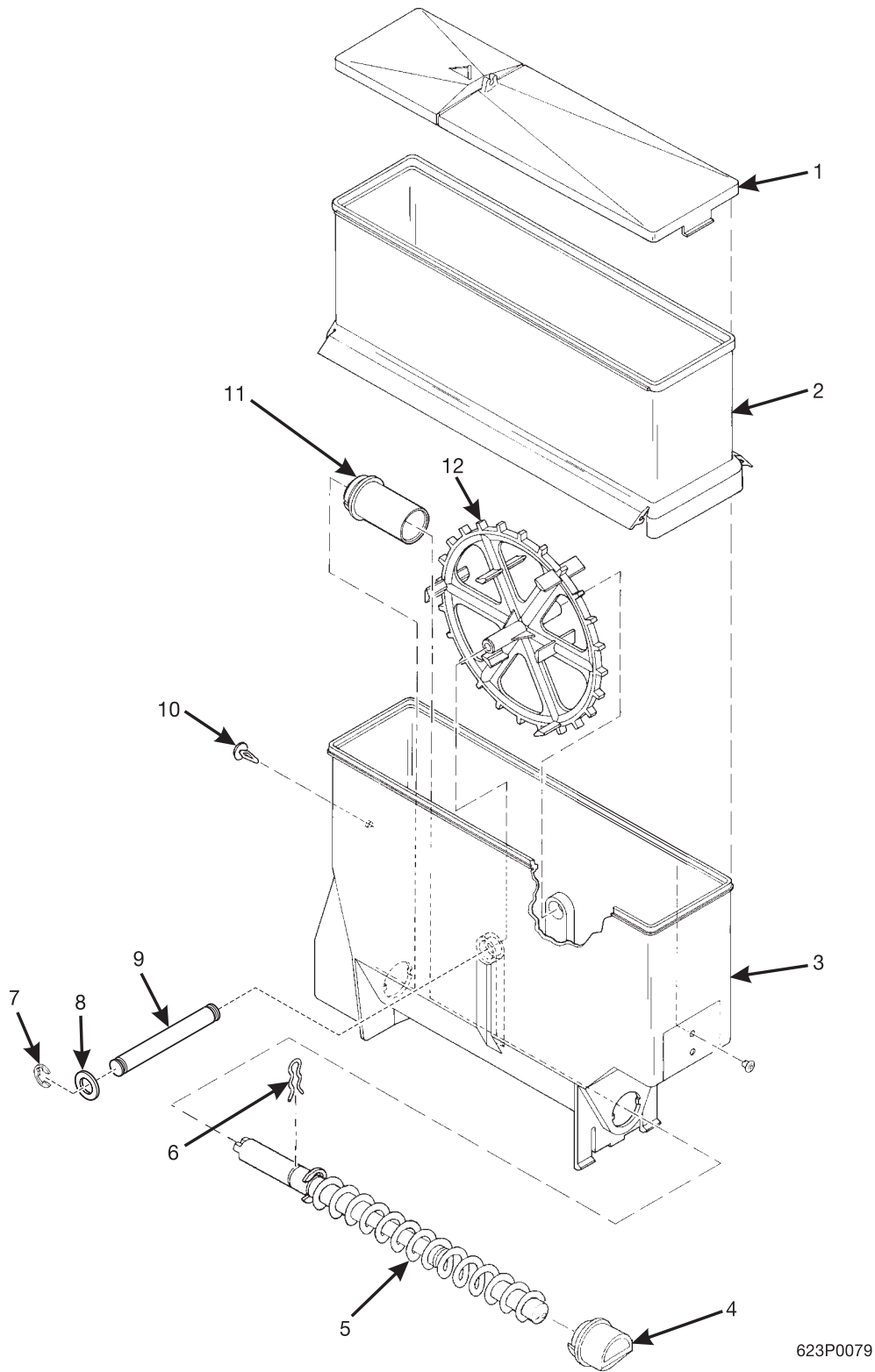


Figure 76. Canister Assembly 6537025

TABLE 76. CANISTER ASSEMBLY 6537025

INDEX	PART NUMBER	DESCRIPTION	QTY
-	6237449	CANISTER ASSEMBLY - 1 SLV - W/MIXING	-
1	6237023	LID - CANISTER	1
2	6237008	SLEEVE - CANISTER 4 IN	1
3	6237176	BASE - CANISTER	1
4	6237063	NOZZLE - DISPENSING - CANISTER	1
5	6537018	AUGER AND SHAFT ASSEMBLY (INCLUDES THE NEXT 3 ITEMS)	1
-	6537017	AUGER-CANISTER	1
-	6237025	RETAINING RING-"E"-.500	1
-	6337016	SHAFT-AUGER-LONG	1
6	6337020	CLIP - SPRING	1
7	9900415	RETAINING RING REINF E TYP.1	2
8	6237116	WASHER - SEAL - WEAR PLATE	2
9	6237167	SHAFT - CANISTER	1
10	6237053	FASTENER - PUSH IN	1
11	6237014	BEARING - CANISTER	1
12	6237181	MIXING WHEEL	1

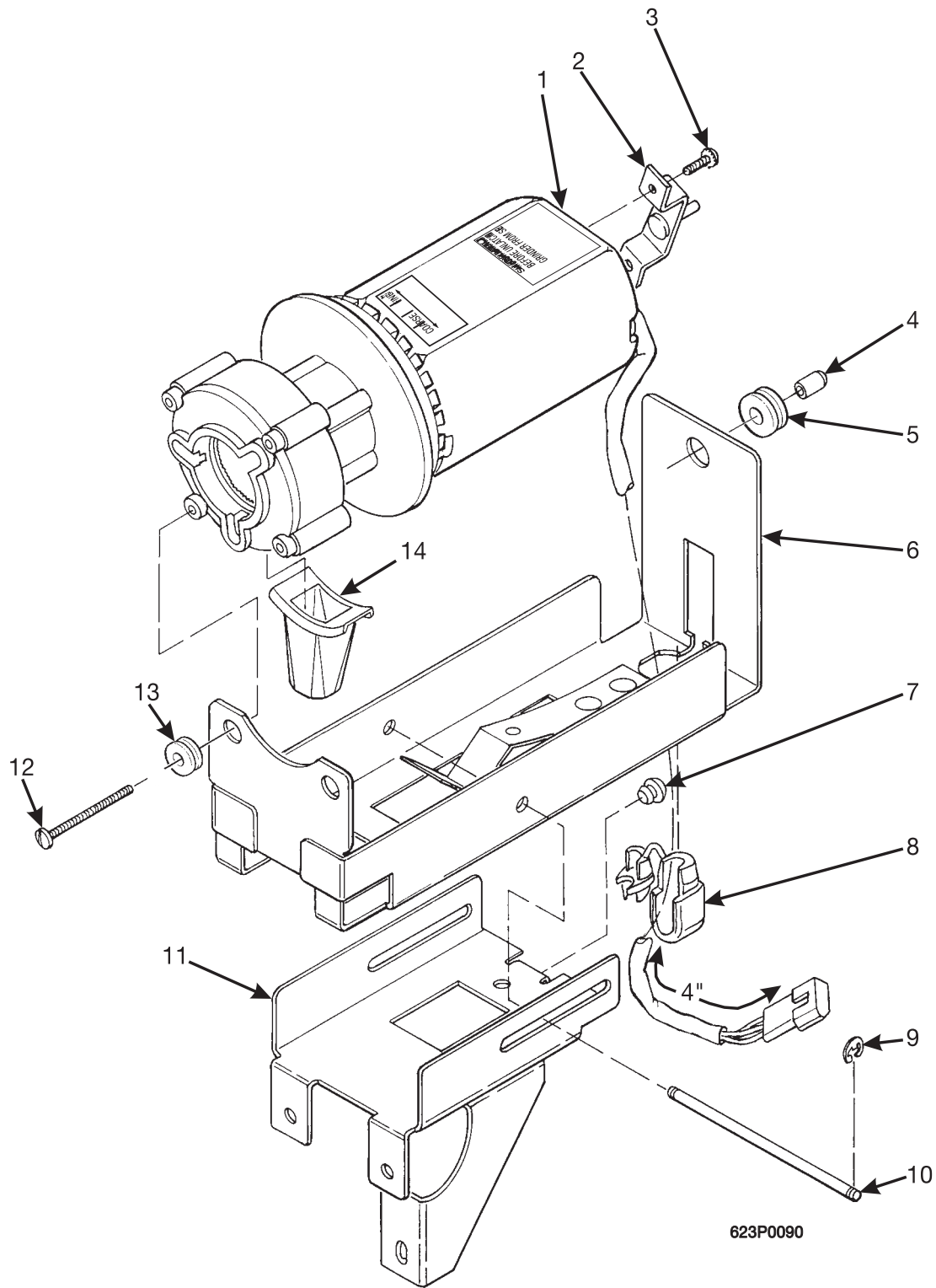


Figure 77. Grinder and Bracket Assembly - Bean

TABLE 77. GRINDER AND BRACKET ASSEMBLY - BEAN

INDEX	PART NUMBER	DESCRIPTION	QTY
-	6237378	GRINDER AND BRACKET ASSEMBLY - BEAN	REF.
1	6237202	GRINDER ASSEMBLY - BEAN - U.S. - (SEE FIGURE 78)	1
2	6237206	BRACKET ASSEMBLY - GRINDER MOTOR	1
3	9900138	SCREW, #8-32 X 1/4 PHS, W/LOCKWASHER	2
4	6237381	COVER - GRINDER SHAFT	1
5	6237213	GROMMET - 3/16	1
-	6237016	EYELET - FLAT FLANGE - .155 DIA (NOT SHOWN)	2
6	6237377	BRACKET ASSEMBLY - GRINDER	1
7	6224010	PLUG - BUMPER	1
8	7101028	HEYCO - RIGHT ANGLE	1
9	9900418	RETAINING RING REINF E TYPE - .187	2
10	6237221	SHAFT - GRINDER BRACKET	1
11	6237291	BRACKET ASSEMBLY - GRINDER SHELF	1
12	6237214	SCREW, #4-40 X 1.50 PHS, W/LW	2
13	6237030	GROMMET - 5/32	2
14	6237252	CHUTE - GRINDER	1

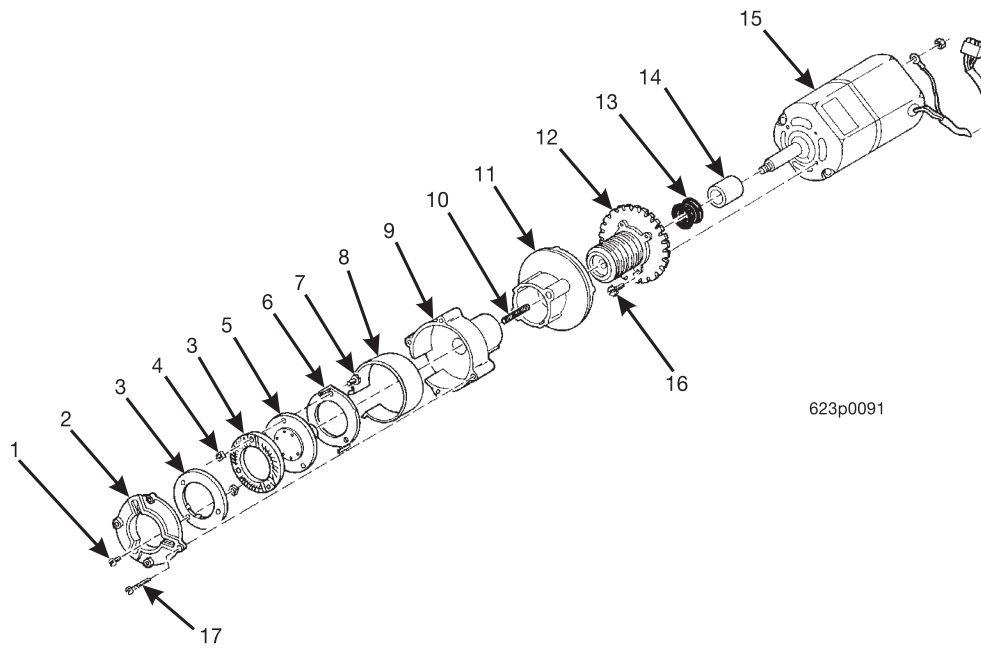


Figure 78. Grinder Assembly - Bean

TABLE 78. GRINDER ASSEMBLY - BEAN

INDEX	PART NUMBER	DESCRIPTION	QTY
-	6237202	GRINDER ASSEMBLY - BEAN - U.S.	REF
1	6207518	SCREW, #4-40 X .312 PHS W/LW	3
2	6237224	COVER - GRINDER HOUSING	1
3	6277202	GRINDING WHEEL - MACHINED	2
4	6207519	NUT - GRINDING WHEEL	6
5	6237223	ROTOR - GRIND WHEEL	1
6	6237271	DISPENSING BLADE - GRIND WHEL	1
7	6237272	SCREW, #4-40 X 5/16 PHS	3
8	6224035	LINER - GRINDER HOUSING	1
9	6237225	GRINDER HOUSING ASSEMBLY	1
10	6207515	SPRING - INDEX	2
11	6237222	COLLAR - LOCKING	1
12	6237227	PLATE - MOTOR MOUNTING	1
13	6227513	RUBBER GROMMET	1
14	6227514	BEARING - GRINDER	1
15	6237201	MOTOR - UNIVERSAL - U.S.	1
16	9900023	SCREW, #8-32 X .38 PHS W/LW	4
17	6207516	SCREW, #4-40 X 1.25 PHS W/LW	2
AVAILABLE KITS			
	6220002	GRINDER WHEEL REPLACEMENT KIT (INCLUDES ITEM 3)	
	6237273	DISPENSING BLADE REPLACEMENT KIT (INCLUDES ITEMS 6 AND 7)	

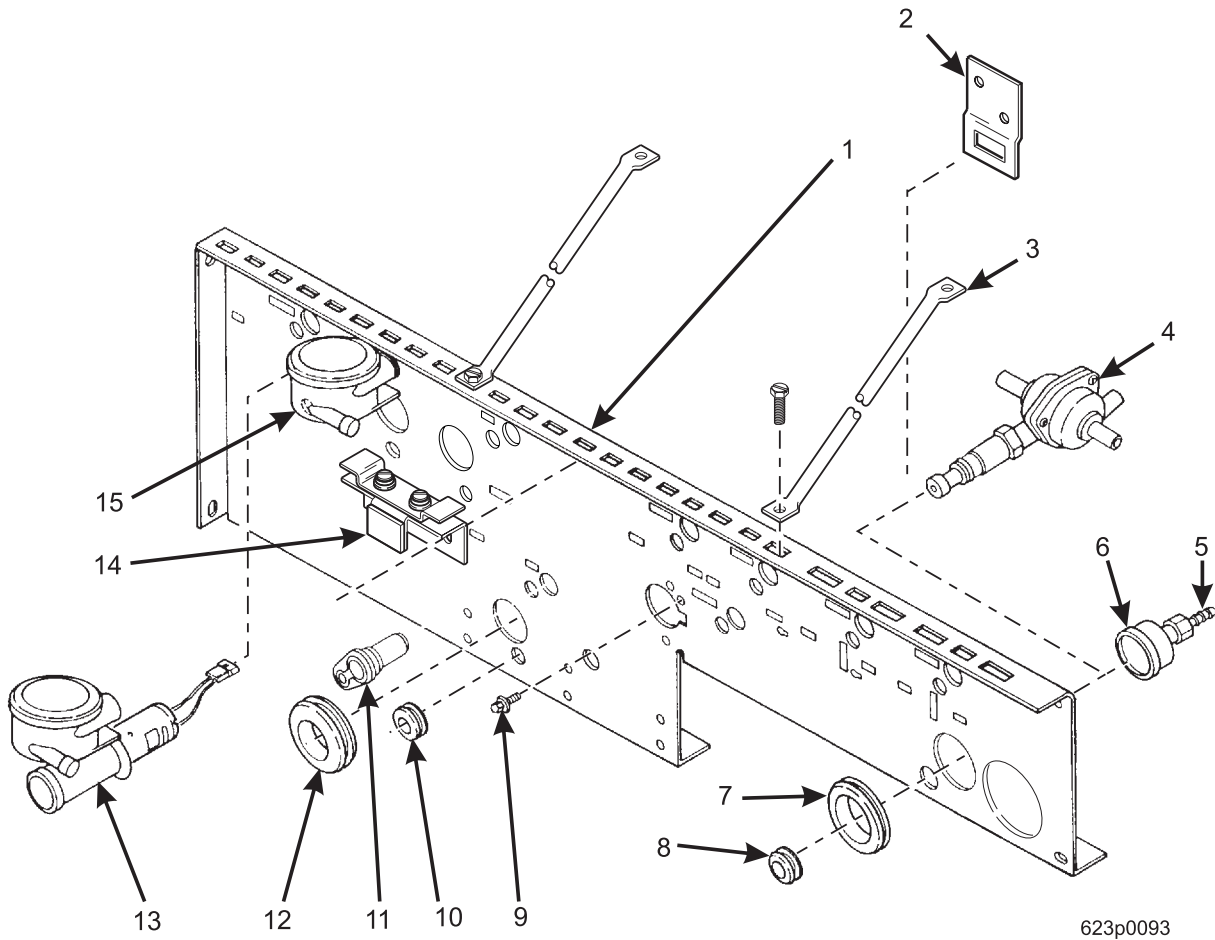


Figure 79. Canister Support Channel Assembly

TABLE 79. CANISTER SUPPORT CHANNEL ASSEMBLY

INDEX	PART NUMBER	DESCRIPTION	QTY
1	6551002	CHANNEL ASSEMBLY - CANISTER SUPPORT	1
2	6231533	BRACE CANISTER SUPPORT - UPPER	2
3	6234981	REGULATOR ASSEMBLY (SEE FIGURE 80) *	1
4	6204215	FITTING - 1/4 BARB X 1/8 FEMALE - NPT *	1
5	6108065	GAUGE - COMPRESSOR *	1
6	6237051	GROMMET - GAGE MOUNTING *	1
7	6237052	GROMMET - REGULATOR MOUNTING *	1
8	1451097	SCREW - #8-32 X .31 HEX HD T.F. - BLACK	5
9	2302223	GROMMET - 3/16	OPT
10	6237315	RETAINER - TUBE - MIXING BOWL	OPT
11	6237115	GROMMET - WHIPPER MOUNTING	OPT
12	-	MIXING BOWL AND WHIPPER ASSEMBLY (SEE FIGURE 82)	-
13	6337057	CANISTER SUPPORT ASSEMBLY - LIGHTENER (CONSISTS OF THE FOLLOWING PARTS)	1
-	3102447	8-32 X 3/4 PHS TYPE 23 T/C-Z	2
-	6237170	BUSHING - CANISTER	2
-	6337058	BRACKET - CANISTER FRONT	1
-	6237174	SUPPORT - CANISTER FRON	1
-	6237356	VIBRATION ISOLATOR - .375 DIA	2
14	-	MIXING BOWL ASSEMBLY	-

* USED ON FRESH BREW (653) AND BEAN (657) MODELS ONLY

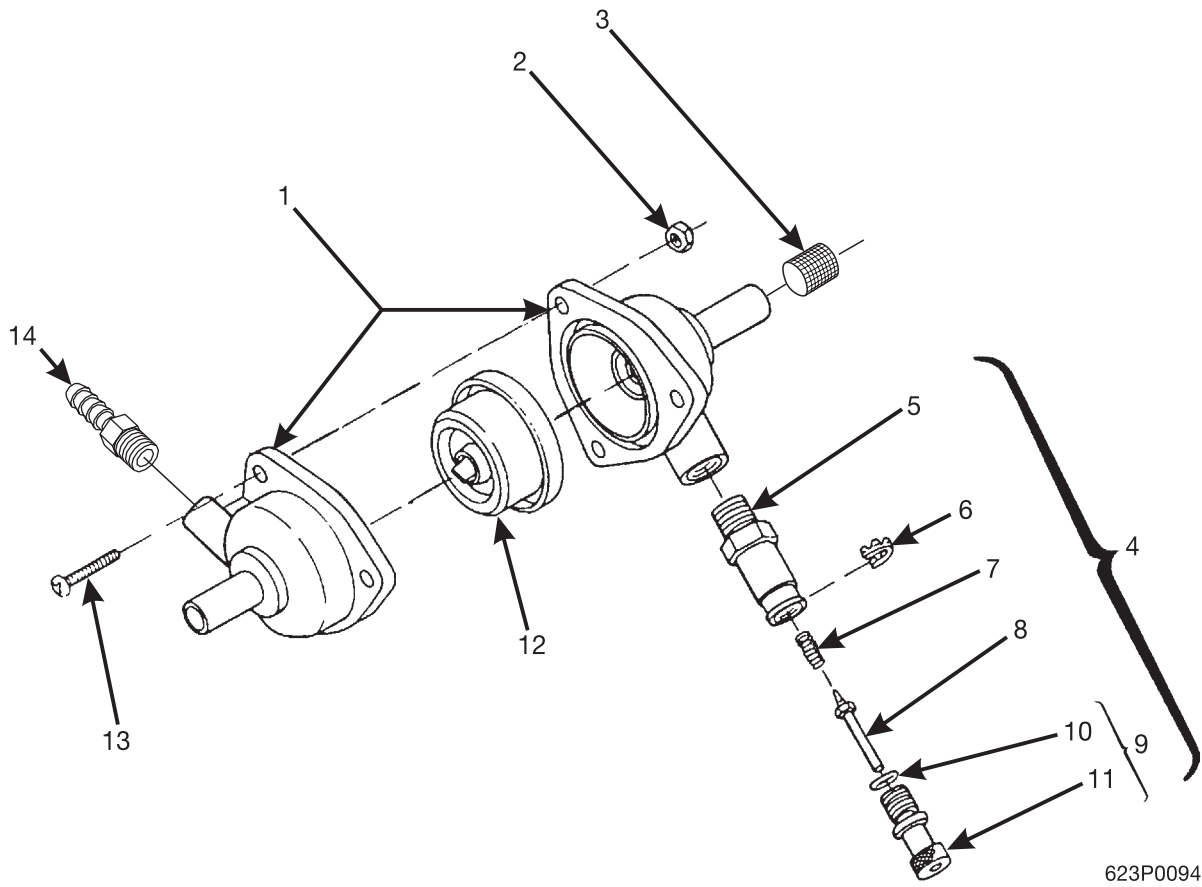


Figure 80. Regulator Assembly

TABLE 80. REGULATOR ASSEMBLY

INDEX	PART NUMBER	DESCRIPTION	QTY
-	6234981	REGULATOR ASSEMBLY	REF
1	6154214	BODY - REGULATOR	2
2	9900081	NUT, #8-32 X 3/4 RHS	3
3	6234335	FILTER - AIR REGULATOR	1
4	6154284	CONTROL ASSEMBLY (INCLUDES INDEX NUMBER 4 - 9)	1
5	6154288	BODY - PRESSURE CONTROL	1
6	6154285	RETAINER - ADJUSTER	1
7	6154286	SPRING - PRESSURE CONTROL	1
8	6154287	PLUNGER - PRESSURE CONTROL	1
9	6154289	ADJUSTER ASSEMBLY (INCLUDES INDEX NUMBERS 9 & 10)	1
10	6154232	O RING - .239 X .07	1
11	6154290	ADJUSTER - CONTROL	1
12	6334016	DIAPHRAGM AND RESTICTOR ASSEMBLY	1
13	9900115	SCREW, #8-32 X 3/4 RHS	3
14	3167128	FITTING - PARKER #P4MCB2	1

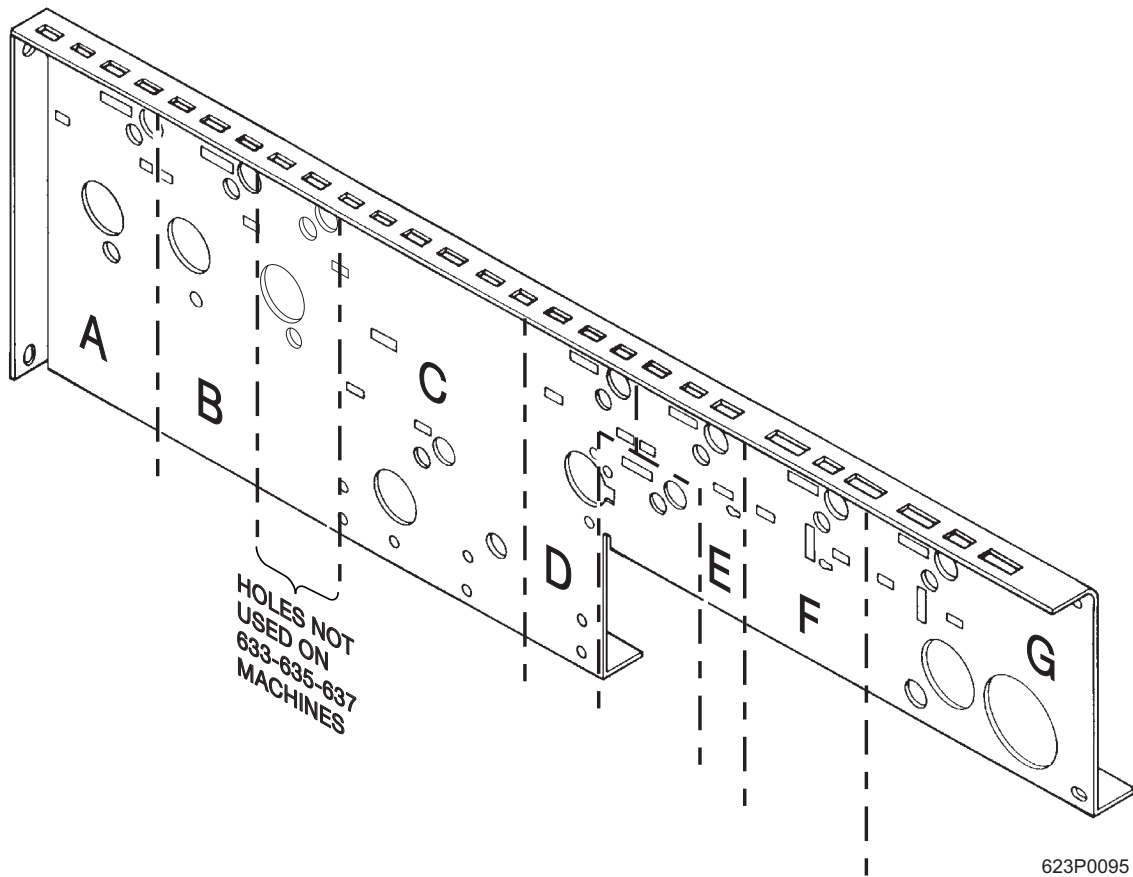


Figure 81. Mixing Bowl and Whipper Positions

TABLE 81. MIXING BOWL AND WHIPPER POSITIONS

POSITION	SELECTION	WHIPPER	COMPONENT	QTY	PART NUMBER
A	CHOCOLATE	YES	MIXING BOWL ASSEMBLY	1	6337078
			RETAINER TUBE - MIXING BOWL	1	6237315
			GROMMET - WHIPPER MOUNTING	1	6237115
			GROMMET 3/16	1	2302223
			WHIPPER ASSEMBLY	1	6237195
B	SOLUBLE PRODUCTS	YES	MIXING BOWL ASSEMBLY	1	6337078
			RETAINER TUBE - MIXING BOWL	1	6237315
			GROMMET - WHIPPER MOUNTING	1	6237115
			GROMMET 3/16	1	2302223
			WHIPPER ASSEMBLY	1	6237195
C	SOLUBLE PRODUCTS	YES	MIXING BOWL ASSEMBLY	1	6337078
			RETAINER TUBE - MIXING BOWL	1	6237315
			GROMMET - WHIPPER MOUNTING	1	6237115
			GROMMET 3/16	1	2302223
			WHIPPER ASSEMBLY	1	6237195
D - E	SUGAR AND LIGHTENER	YES	MIXING BOWL ASSEMBLY	1	6337079
			RETAINER TUBE - MIXING BOWL	1	6237315
			GROMMET - WHIPPER MOUNTING	1	6237115
			GROMMET 3/16	1	2302223
			WHIPPER ASSEMBLY	1	6237195
F	SOLUBLE PRODUCTS	YES	MIXING BOWL ASSEMBLY	1	6337078
			RETAINER TUBE - MIXING BOWL	1	6237315
			GROMMET - WHIPPER MOUNTING	1	6237115
			GROMMET 3/16	1	2302223
			WHIPPER ASSEMBLY	1	6237195
G	FREEZE DRY TEA	NO	MIXING BOWL ASSEMBLY	1	6337076
			RETAINER TUBE - MIXING BOWL	1	6237315
	FREEZE DRY COFFEE	NO	MIXING BOWL ASSEMBLY	1	6337078
			RETAINER TUBE - MIXING BOWL	1	6237315
H	FREEZE DRY COFFEE	NO	MIXING BOWL ASSEMBLY	1	6337076
			RETAINER TUBE - MIXING BOWL	1	6237315
J	FRESH BREW COFFEE	NO	NONE	-	-
	BEAN COFFEE	NO	NONE	-	-
-	FREEZE DRY COFFEE	NO	MIXING BOWL ASSEMBLY	-	6337076

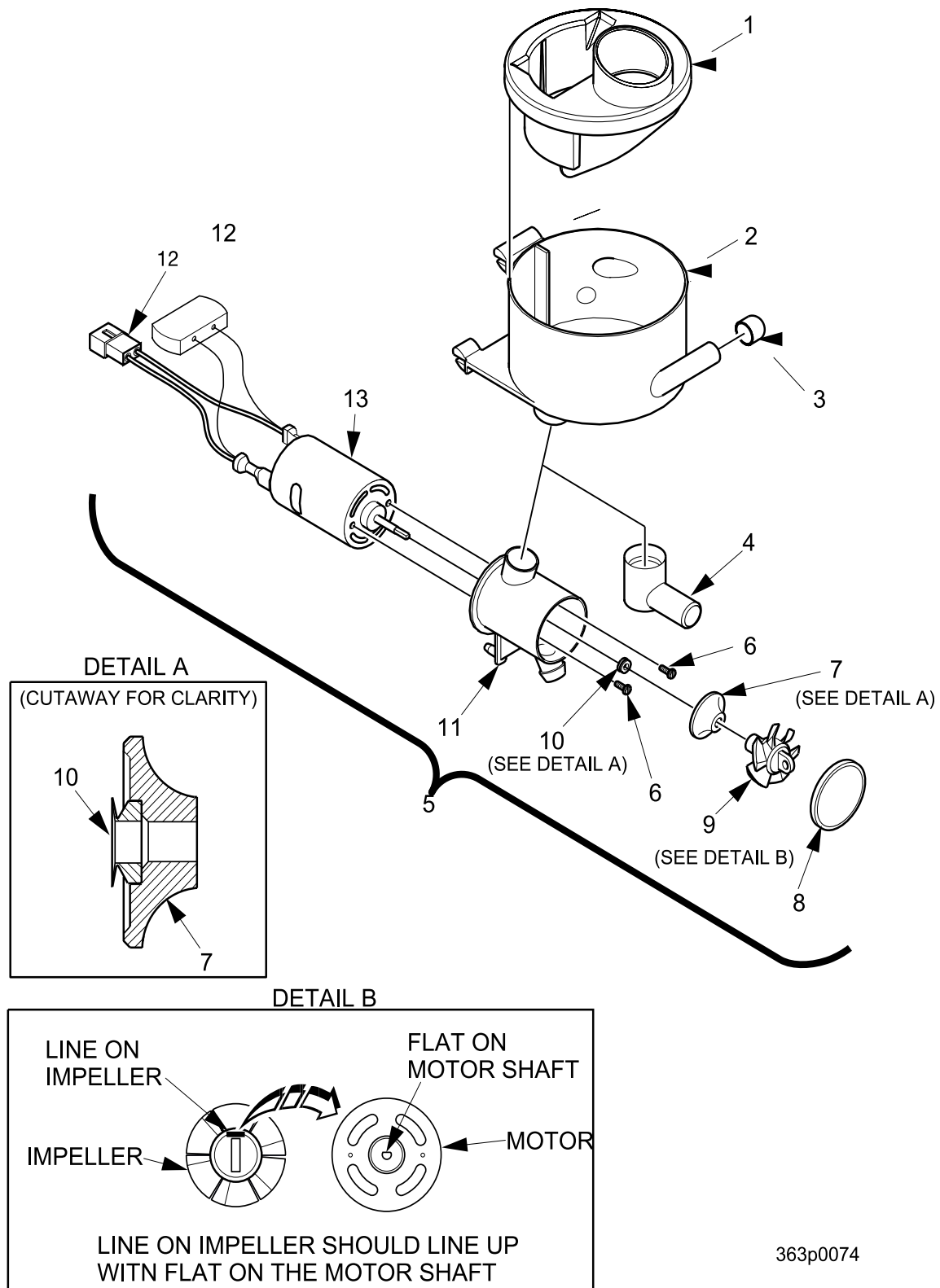
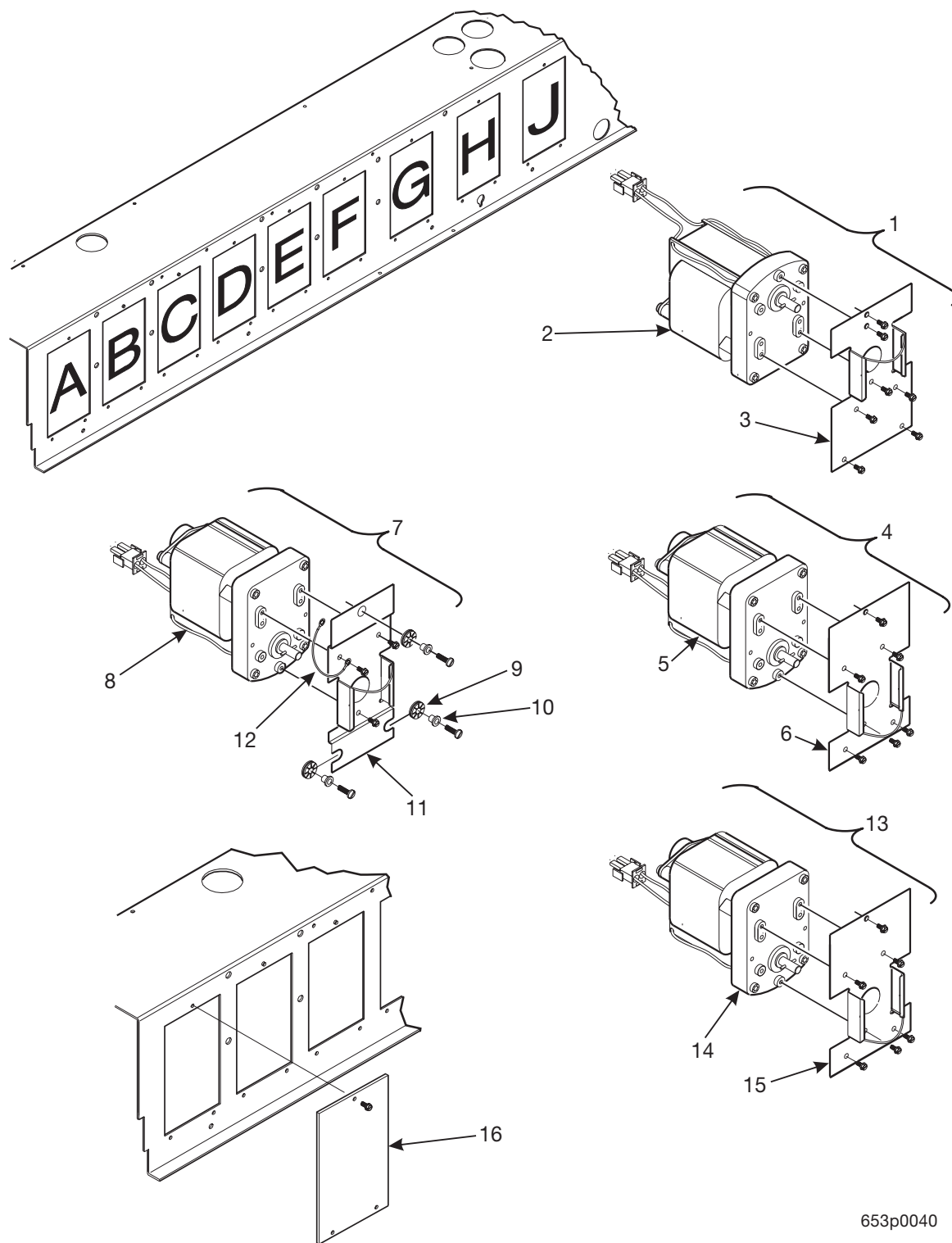


Figure 82. Mixing Bowl and Whipper Assemblies

TABLE 82. MIXING BOWL AND WHIPPER ASSEMBLIES

INDEX	PART NUMBER	DESCRIPTION	QUANTITY PER MIXING BOWL ASSEMBLY (BY PART NUMBER)			
			6337078	6337076	6337077	6337079
1	6537019	VENT AND DIVIDER ASSEMBLY	1	1	1	1
2	6537030	MIXING BOWL	1	1	1	1
3	6237306	VINYL CAP - .38 I.D.	1	1	-	-
4	6237312	SPOUT - MIXING BOWL	-	1	1	-
5	6237195	WHIPPER ASSEMBLY (INCLUDES INDEX NUMBERS 6 THROUGH 13)	1	-	-	1
6	6237119	SCREW, MSXL.5-6FX6MM - SPH	1	-	-	1
7	6237192	SPACER WHIPPER	1	-	-	1
8	6337085	COVER - WHIPPER	1	-	-	1
9	6237194	IMPELLER - WHIPPER	1	-	-	1
10	6237110	V RING - SHAFT SEAL	1	-	-	1
11	6237193	HOUSING - IMPELLER	1	-	-	1
12	6237157	HARNESS - WHIPPER MOTOR	1	-	-	1
13	6237111	MOTOR ASSEMBLY - WHIPPER	1	-	-	1
-	6237117	IMPELLER REMOVAL TOOL (NOT SHOWN)	-	-	-	-



653p0040

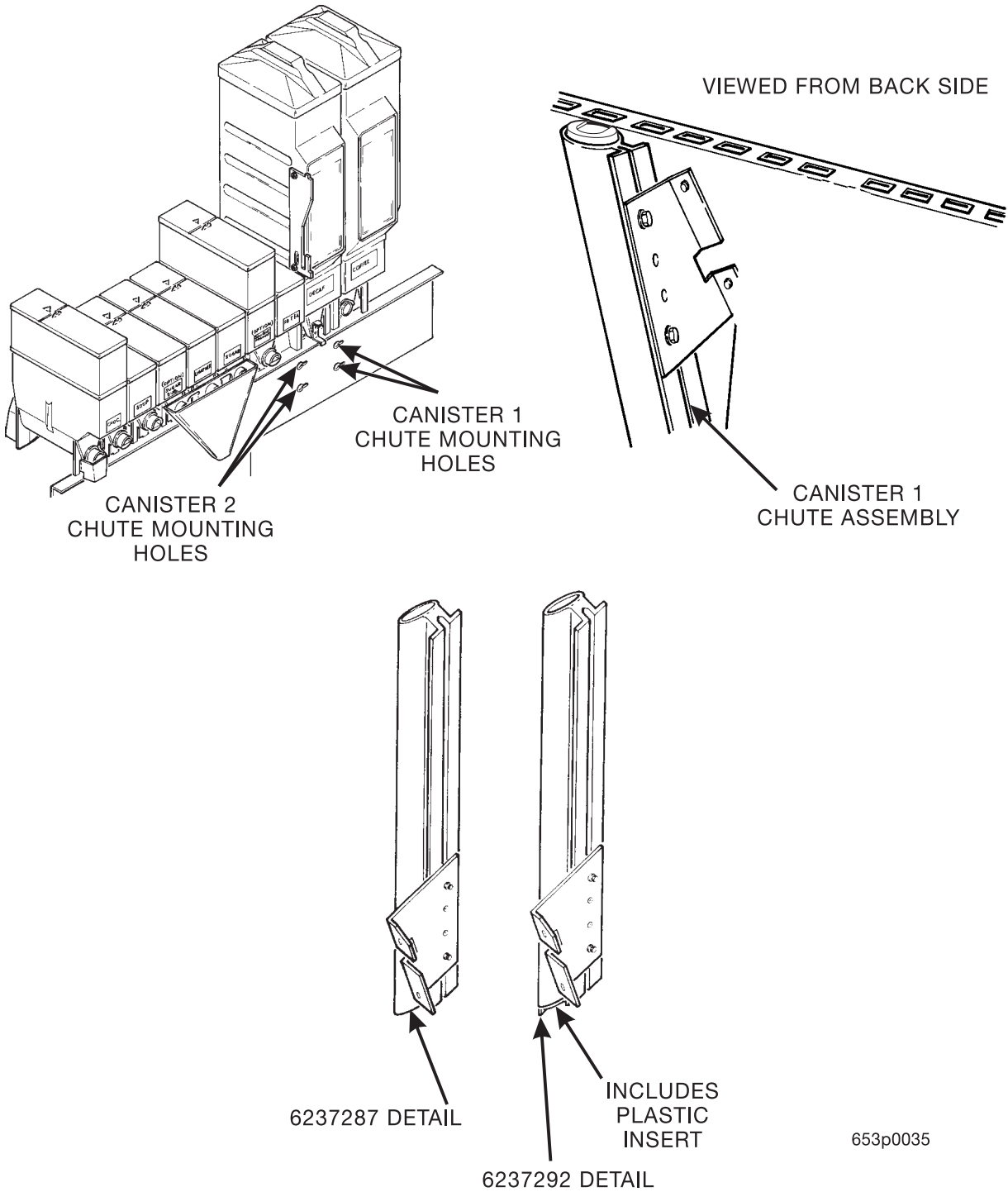
Figure 83. Canister Motor and Plate Assemblies

TABLE 83. CANISTER MOTOR AND PLATE ASSEMBLIES

INDEX	PART NUMBER	DESCRIPTION	QTY
1	6237438	MOTOR AND PLATE ASSEMBLY - 115V AC - COFFEE (INCLUDES ITEMS 2 AND 3)	-
2	6237165	MOTOR - CANISTER - 200 RPM - 115V	1
3	6237077	PLATE - MOTOR MOUNTING - COFFEE	1
4	6237436	MOTOR AND PLATE ASSEMBLY - 200 RPM - 115V (INCLUDES ITEMS 5 AND 6)	-
5	6237165	MOTOR - CANISTER - 200 RPM - 115V	1
6	6237074	PLATE - MOTOR MOUNTING	1
7	6237184	MOTOR AND PLATE ASSEMBLY - LIGHTENER - 115V (INCLUDES ITEMS 8, 11, AND 12)	1
8	6237165	MOTOR - CANISTER - 200 RPM - 115V	1
9	6237356	VIBRATION ISOLATOR	3
10	6237170	BUSHING - CANISTER	3
11	6237172	PLATE - MOTOR MOUNTIN	1
12	1475119	JUMPER - GROUND WIRE	1
13	6237437	MOTOR AND PLATE ASSEMBLY - 60 RPM - 115V (INCLUDES ITEMS 14 AND 15)	-
14	6237057	MOTOR - CANISTER - 61 RPM - 115V	1
15	6237074	PLATE - MOTOR MOUNTING	1
16	6231376	MOTOR CHANNEL COVER (USED WHEN THERE IS NOT A MOTOR IN A POSITION)	OPT

TABLE 83A. MOTOR POSITION USAGE

MOTOR POSITION	INGREDIENT	DESCRIPTION	QTY	PART NUMBER
A	CHOCOLATE	MOTOR AND PLATE ASSEMBLY - 200 RPM	1	6237436
		SCREW	3	1451097
B	SOLUBLE PRODUCT	MOTOR AND PLATE ASSEMBLY - 200 RPM	1	6237436
		SCREW	3	1451097
C	SOLUBLE PRODUCT	MOTOR AND PLATE ASSEMBLY - RPM	1	6237436
		SCREW	3	1451097
D	WHITENER	MOTOR AND PLATE ASSEMBLY - 200 RPM	1	6237184
		SCREW	3	1451097
		CANISTER BUSHING	3	6237170
		VIBRATION ISOLATOR	3	6237356
E	SUGAR	MOTOR AND PLATE ASSEMBLY - 200 RPM	1	6237436
		SCREW	3	1451097
F	SOLUBLE PRODUCT	MOTOR AND PLATE ASSEMBLY - 200 RPM	1	6237436
		SCREW	3	1451097
G	INSTANT TEA	MOTOR AND PLATE ASSEMBLY - 60 RPM	1	6237437
		SCREW	3	1451097
	FREEZE DRY COFFEE/ DECAF	MOTOR AND PLATE ASSEMBLY - 200 RPM	1	6237436
		SCREW	3	1451097
H	FREEZE DRIED DECAF OR COFFEE	MOTOR AND PLATE ASSEMBLY - 200 RPM	1	6237436
		SCREW	3	1451097
J	FREEZE DRIED COFFEE	MOTOR AND PLATE ASSEMBLY - 200 RPM	1	6237436
		SCREW	3	1451097
	FRESH BREW COFFEE	MOTOR AND PLATE ASSEMBLY - 200 RPM	1	6237438
		SCREW	3	1451097
	BEAN COFFEE	MOTOR AND PLATE ASSEMBLY - 200 RPM	1	6237438
		SCREW	3	1451097



COFFEE BREWER DELIVERY CHUTES - SEE TABLE FOR USAGE

Figure 84. Product and Condiment Chutes (Part 1 of 2)

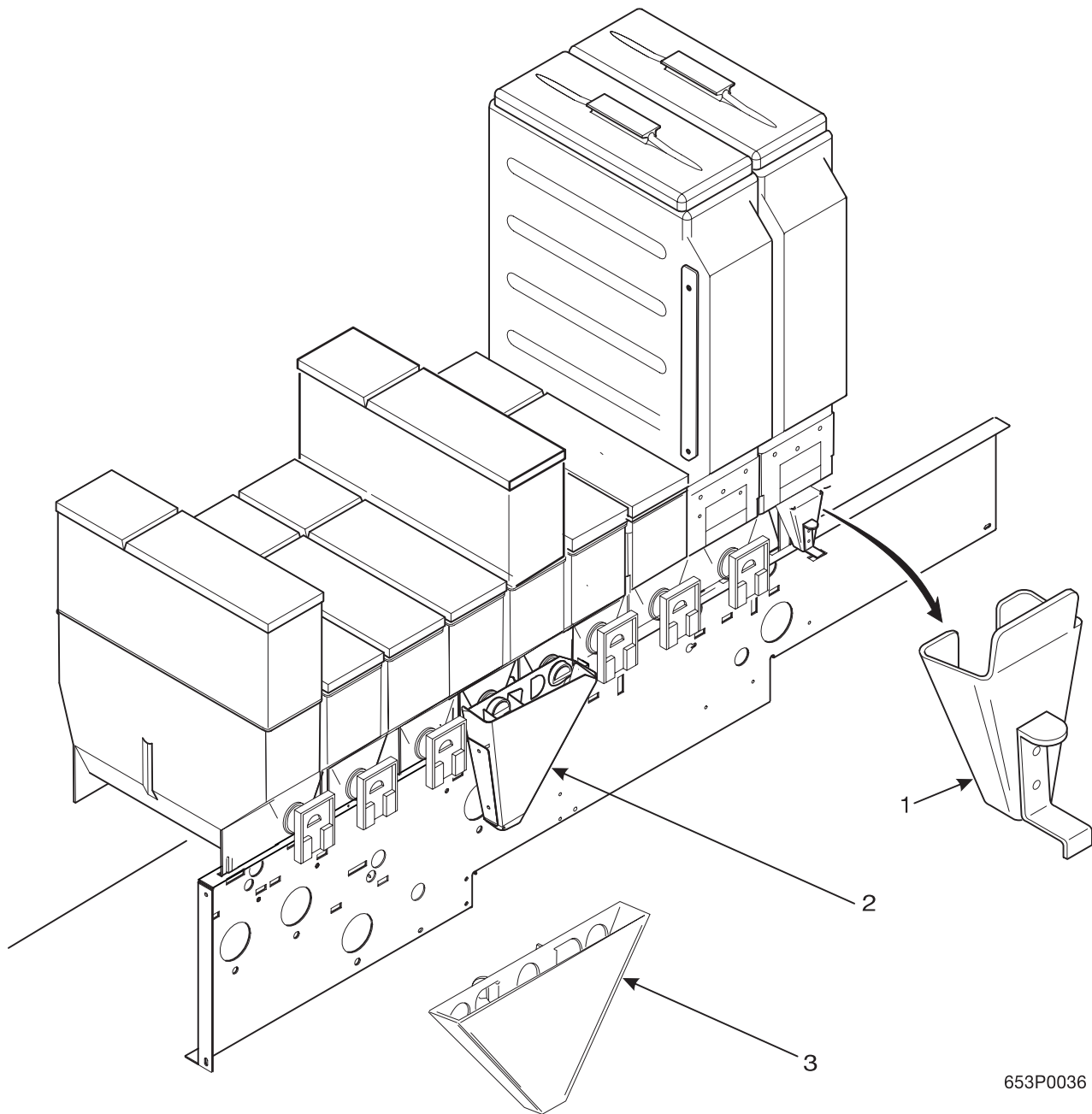


Figure 85. Product and Condiment Chutes (Part 2 of 2)

TABLE 85. PRODUCT AND CONDIMENT CHUTES (PART 2 OF 2)

INDEX	PART NUMBER	DESCRIPTION	QTY
1	6237241	CHUTE ASSY - PREGROUND COFFEE	1
2	6367018	CHUTE ASSY - 2 INGREDIENT	1
3	6337080	CHUTE ASSY - 3 INGREDIENT	1

TABLE 86. PRODUCT DELIVERY CHUTE ASSEMBLY USAGE

NOTE: SEE REFERENCED TABLES FOR BREAKDOWN OF SELECTED ASSEMBLIES

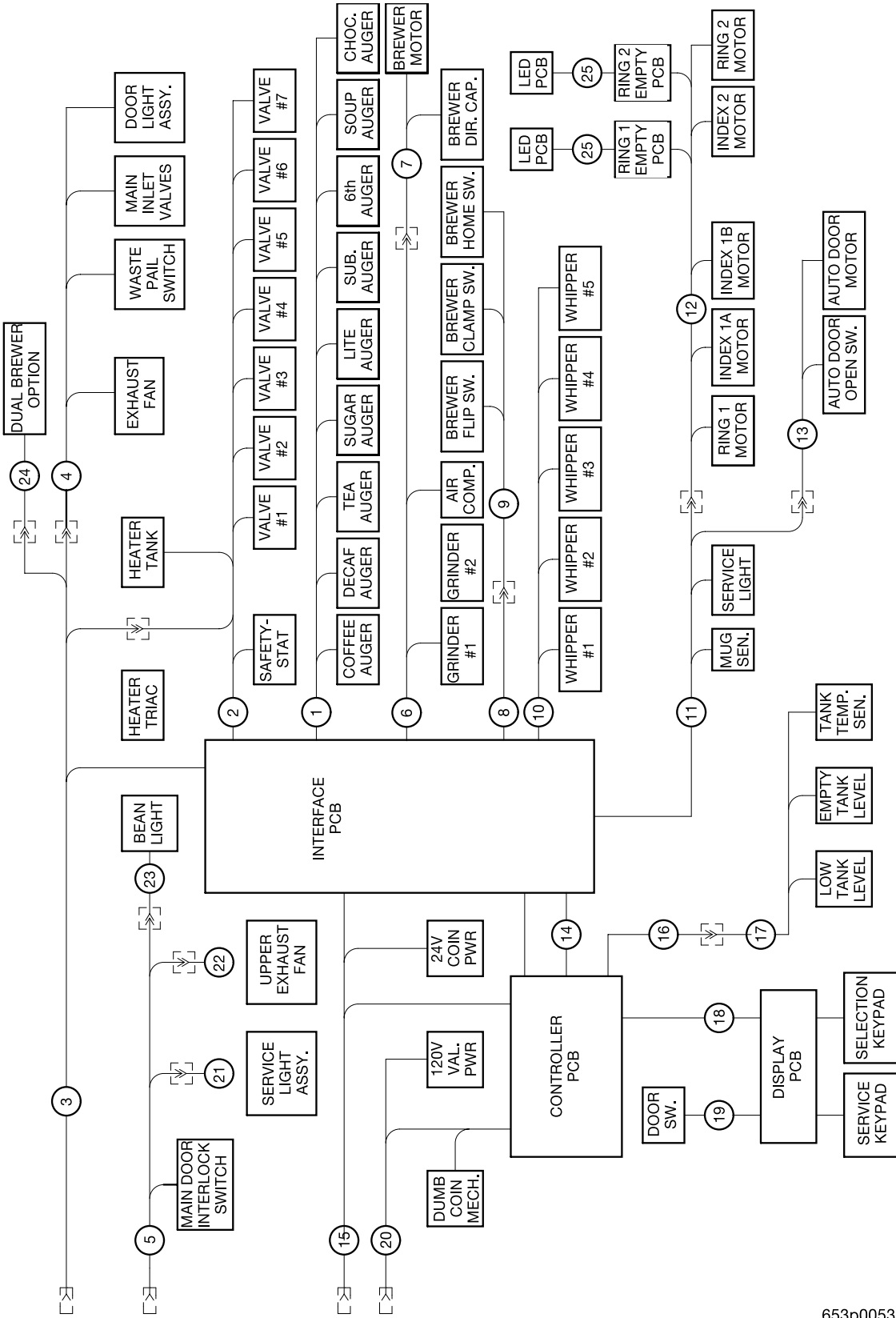
	CANISTER 2	CANISTER 1
TYPE OF PRODUCT	FREEZE DRIED COFFEE OR FREEZE DRIED TEA	PRE-GROUD COFFEE OR LEAF TEA
CHUTES USED (BY PART NUMBER)	6337015	6237241 6237287 (SEE TABLE 86A)
TYPE OF PRODUCT	FREEZE DRIED COFFEE OR FREEZE DRIED TEA	FREEZE DRIED COFFEE OR FREEZE DRIED TEA
CHUTES USED (BY PART NUMBER)	6337015	6337015
TYPE OF PRODUCT	FREEZE DRIED COFFEE OR FREEZE DRIED TEA	COFFEE BEANS
CHUTES USED (BY PART NUMBER)	6337015	6237292 (SEE TABLE 86A)

TABLE 86A. DELIVERY CHUTE 6237287 PARTS

PART NUMBER	DESCRIPTION	QTY
3128092	SCREW HILO 7/19 X 3/8	2
6237277	TUBE BRACKET - R.H.	1
6237286	CHUTE - DOUBLE BREWER - R.H.	1

TABLE 86B. DELIVERY CHUTE 6237292 PARTS

PART NUMBER	DESCRIPTION	QTY
3128092	SCREW HILO 7/19 X 3/8	2
6237275	CHUTE - DUAL - R.H.	1
6237277	TUBE BRACKET - R.H.	1
6237286	CHUTE - DOUBLE BREWER - R.H.	1



653p0053

Figure 87. Wiring Harnesses

TABLE 87. WIRING HARNESSSES

INDEX	PART NUMBER	DESCRIPTION	653	655	657
1	6339001	HARNESS - HDC AUGERS			
2	6559000	HARNESS - HEATER AND VALVE			
3	6339004	HARNESS - HDC - AC1			
4	6559007	HARNESS - HDC - AC2			
5	1579010	JUMPER - INTERLOCK - DOMESTIC			
6	6339003	HARNESS - BREW AND GRIND			
7	6239016	HARNESS - BREWER			
8	3639015	HARNESS - PCB TO BREW SWITCHES			
9	6239016	HARNESS - BREWER			
10	6559002	HARNESS - WHIPPERS			
11	6559001	HARNESS - DOOR TO DOOR PCB - DC			
12	6239048	HARNESS - CUP MECHANISM			
13	6239026	HARNESS - AUTO DOOR			
14	1579008	CABLE - RIBBON - 16 CONDUCTOR			
15	9989750	HARNESS - 24 VAC - PCB & COIN POWER			
16	6339009	JUMPER - PCB TO FLOAT SWITCHES			
17	6339021	HARNESS - FLOAT SWITCHES			
18	6339017	FLAT CABLE - DISPLAY TO CONTROLLER			
19	1579009	JUMPER - MONETARY DOOR SWITCH			
20	1579003	HARNESS - COIN MECHANISM			
21	6339007	JUMPER - CABINET SERVICE LIGHT			
22	6339000	HARNESS - INTERLOCK TO EXHAUST			
23	6339008	JUMPER - FLOAT SWITCH ASSEMBLY			
24	6239013	HARNESS - DUAL BREWER			
25	6233106	HARNESS - CUP DETECTOR LED			
-	1451124	SUPPRESSION NETWORK ASSEMBLY			
-	1475117	HARNESS - INTERFACE - DEB - VALIDATOR - COIN MECH			
-	1475119	JUMPER - GROUND WIRE			
-	1579005	HARNESS - MARS PULSE VALIDATOR			
-	1579006	HARNESS - MAKA PULSE VALIDATOR			
-	1579013	HARNESS - POWER PANEL DOMESTIC			
-	1579017	HARNESS - COIN HANDLING - POWER			
-	1579018	HARNESS - DATA PRINTER INTERFACE			
-	1679056	HARNESS - DEX PRINTER INTERFACE			
-	1579028	HARNESS - SERIAL VALIDATOR			
-	1579031	JUMPER - VALIDATOR - MARS - 24V			
-	1579032	HARNESS - SERIAL VALIDATOR - 24V			

TABLE 87. WIRING HARNESES (CONTINUED)

INDEX	PART NUMBER	DESCRIPTION	653	655	657
-	1579034	HARNESS - FOR BA30/32 A - MDB			
-	1579050	HARNESS - MDB - FOR CONLUX 2000			
-	2346016	HARNESS - FLUORESCENT LIGHT			
-	3156032	JUMPER - FILTER & FLUORESCENT LIGHT			
-	5307302	POWER CORD - 12 PIN			
-	6237157	HARNESS - WHIPPER MOTOR			
-	6339006	HARNESS - FLUORESCENT LIGHT			
-	6339008	JUMPER - BEAN LIGHT			
-	6369015	HARNESS - BREW SWITCHES - TWIN			
-	9559002	HARNESS - WHIPPERS			
-	9984094	WIRE - GROUND - 14 INCH			
-	9984165	JUMPER - GROUND WIRE			
-	9985042	CORD SET - POLARIZED - GROUNDED			
-	9989631	JUMPER - DEBIT CARD - SHOPPER			
-	9989676	JUMPER - BLOWER			
-	9989706	HARNESS - MONETARY - MDB			
-	9989712	JUMPER - EXEC. MECH.			
-	9989718	JUMPER - VALIDATOR - 24V			

TABLE 88. USAGE KEY FOR BULK TUBING

CODE (SEE TABLES 89, 90)	PART NUMBER	DESCRIPTION
A	6338021	TUBING - SILICONE - .375 I.D. X .562 O.D.
B	6238090	TUBING - BLACK - 5/8 X 13/16 O.D.
C	6208037	TUBING - SILICONE - .250 I.D. X .437 O.D.

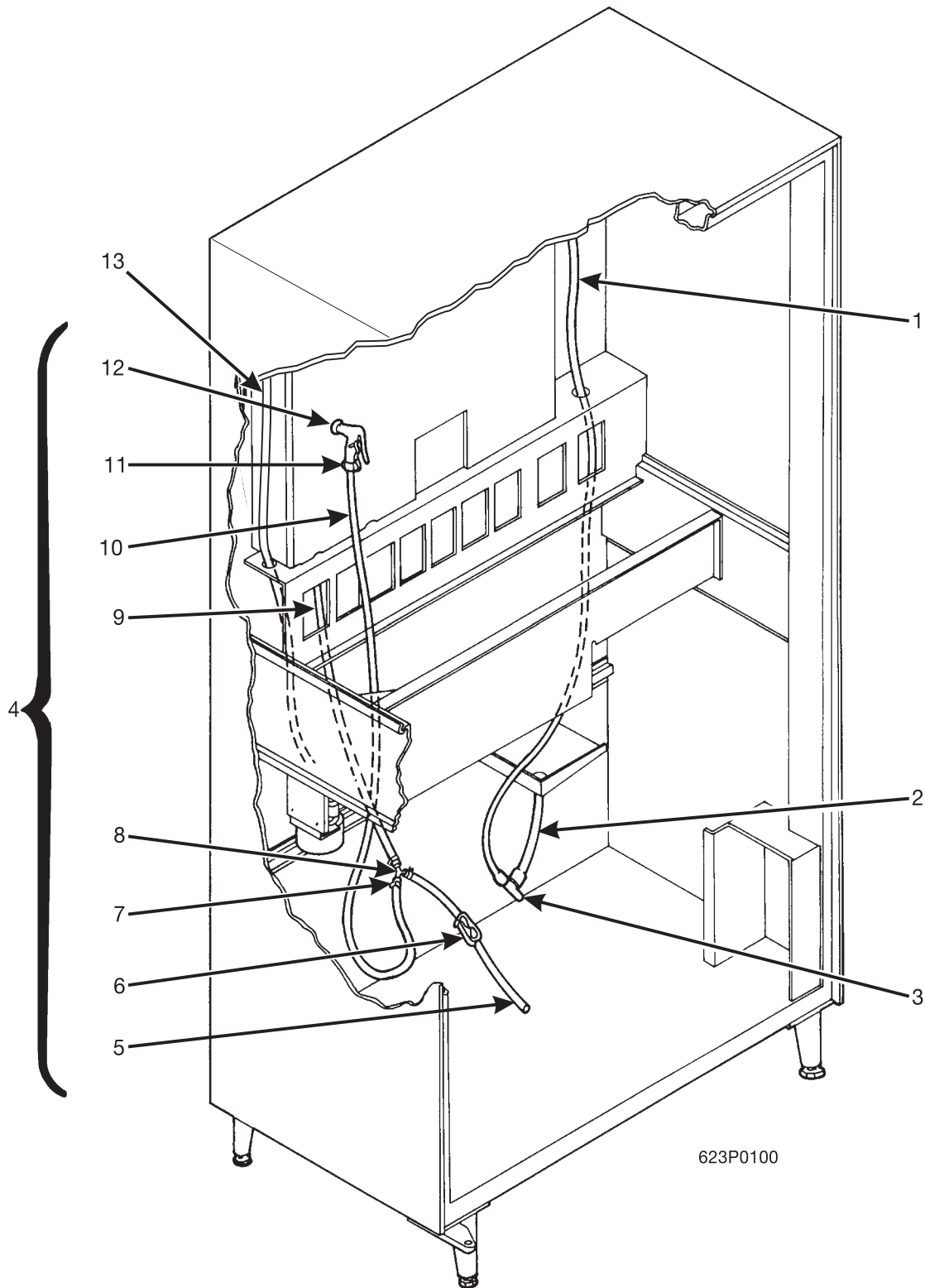


Figure 89. Liquid Distribution and Drain System (Part 1 of 2)

TABLE 89. LIQUID DISTRIBUTION AND DRAIN SYSTEM (PART 1 OF 2)

INDEX	PART NUMBER	DESCRIPTION	QTY.	BULK (SEE USAGE KEY, TABLE 88)
1	-	TUBE - 62" LG	1	B
2	-	TUBE - 12" LG (623/627 ONLY)	1	B
3	6108057	TEE (623/627 ONLY)	1	-
4	6238071	SPRAY HOSE ASSEMBLY (INCLUDES INDEX NUMBERS 5 THROUGH 12)	1	-
5	-	TUBE, .38 X .56 X 20.0	1	A
6	6238154	CLAMP - PLASTIC - THROTTLING	1	-
7	6158063	CLAMP HOSE	3	-
8	6138094	Y CONNECTOR - 3/8 OD 1/4 ID	1	-
9	-	TUBE 18.0	1	A
10	-	TUBE 60.0	1	A
11	6238051	FITTING - SPRAY HOSE	1	-
12	6238050	SPRAY HEAD	1	-
13	3618123	TUBING - U.K. - AQUAVEND - .375 ID	31"	-

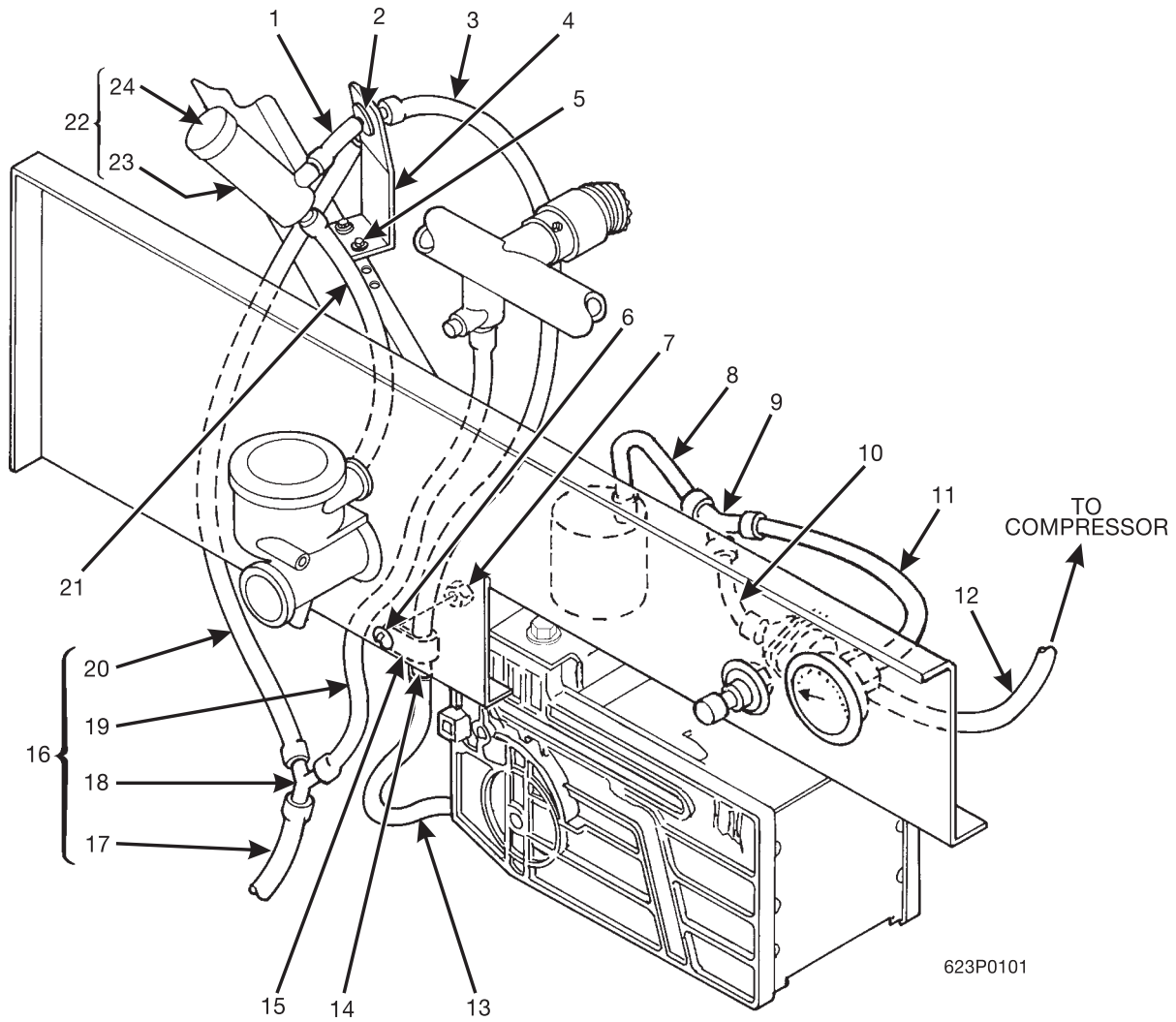


Figure 90. Liquid Distribution and Drain System (Part 2 of 2)

TABLE 90. LIQUID DISTRIBUTION AND DRAIN SYSTEM (PART 2 OF 2)

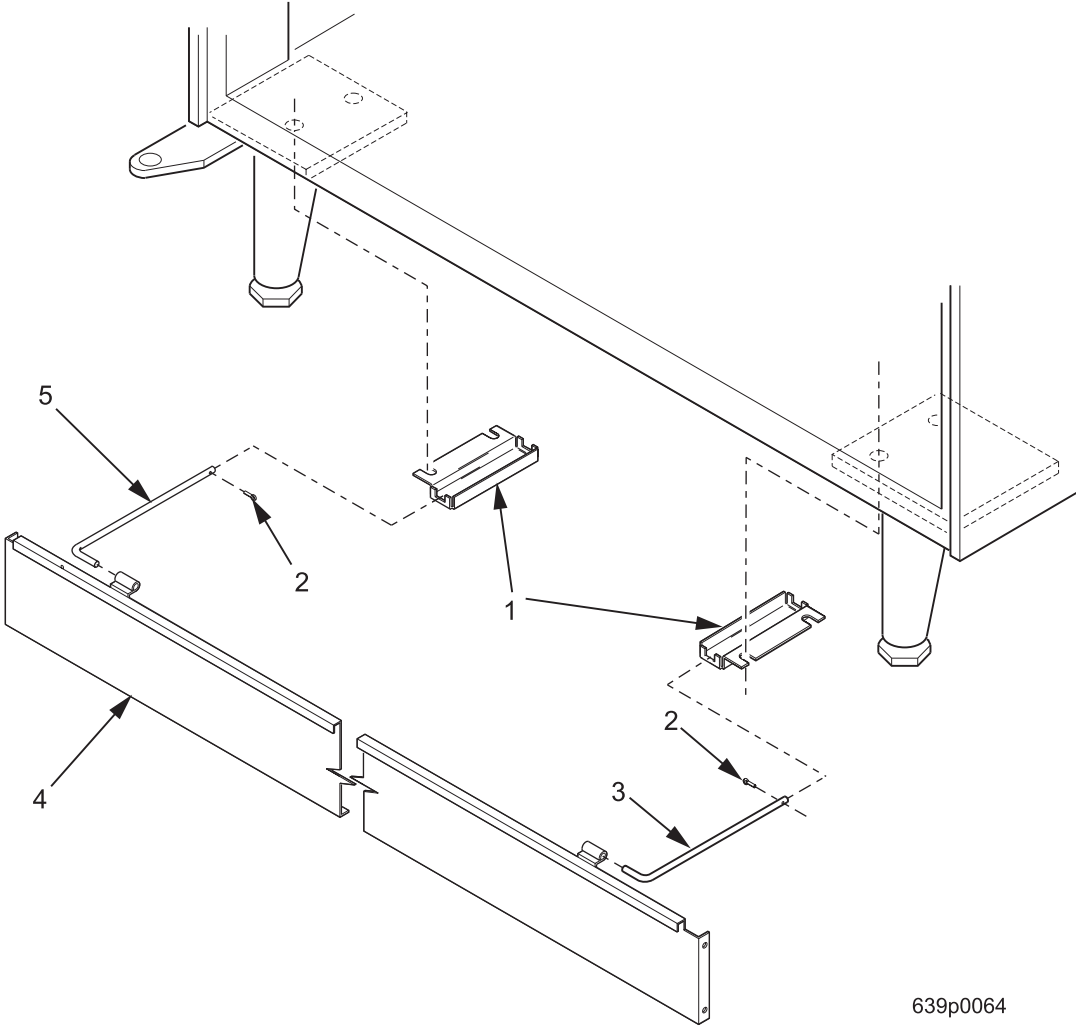
INDEX	PART NUMBER	DESCRIPTION	QTY.	BULK (SEE USAGE KEY)
1	6237134	TUBE - .38 I.D. X .56 O.D. X 4.5" LONG	1	A
2	6237311	FLOW RESTICTOR	1	-
3	-	TUBE - 6108097 - 12.5" LG	1	A
4	6237359	BRACKET - FLOW RESTRICTOR	1	-
5	1451097	SCREW, #8-32 X .31 HEX HD. TF. - BLACK	2	-
6	9900118	SCREW, #8-32 X 3/8 PHS	1	-
7	9900081	NUT, #8-32 KEPS ZINC PLATE	1	-
8	-	TUBE - 6208036 - 4.5" LG	1	A
9	3017006	SYRUP TUBE TEE SPLICE	1	-
10	-	6108098 TUBE 7.0 LONG	1	C
11	-	6108097 TUBE 10.0	1	A
12	-	TUBE - .44 O.D. X .25 I.D. X 17" LONG	1	C
13	-	61080970 TUBE 6108097	1	C
14	3638079	FITTING - BARBED - #5/16 X 3/8	1	-
-	3102491	CLAMP - WIRE (NOT SHOWN)	1	
15	3102348	CABLE CLAMP RICHCO #N8	1	-
16	6238038	TUBE AND Y ASSEMBLY (INCLUDES INDEX NUMBERS 17 THROUGH 21)	1	-
17	-	TUBE - .56 X .37 X 10.0	1	A
18	6138094	Y CONNECTOR - 3/8 OD 1/4 ID	1	-
19	6237037	61080970 TUBE 9.5 LONG	1	A
20	-	TUBE .56 X .37 X 18.0	1	A
21	-	TUBE	1	A
22	6237349	CHAMBER ASSEMBLY - EXPANSION (INCLUDES INDEX NUMBERS 23 AND 24)	1	-
23	6237316	TUBE AND EXTENSION ASSEMBLY	1	-
24	6237347	VINYL CAP - 1.00 ID . .50 LG	1	-

TABLE 90A. BULK TUBING FOR INTERCONNECTING WATER VALVES, MIXING BOWLS, AND DISPENSING SPOUTS

APPLICATION	PART NUMBER	DESCRIPTION
U.S.	6108097	TUBING - SANTOPRENE - .375 I.D. X .562 O.D.
FR./GER./SP./ U.K.	6208036	TUBING - SILICONE - .375 I.D. X .562 O.D.

TABLE 91. BASE PLATE ACCESSORY - STANDARD STYLE

INDEX	PART NUMBER	DESCRIPTION	QTY.
	1571085	BASE PLATE AND ACCESSORY ASSEMBLY	-
1	6231087	BRACKET - BASE PLATE	2
2	9900098	COTTER PIN 3/32 X 3/4 IN	2
3	1411194	SLIDE - BASE PLATE - RIGHT HAND	1
4	2271408	BASE PLATE ASSEMBLY	1
5	1411195	SLIDE - BASE PLATE - LEFT HAND	1

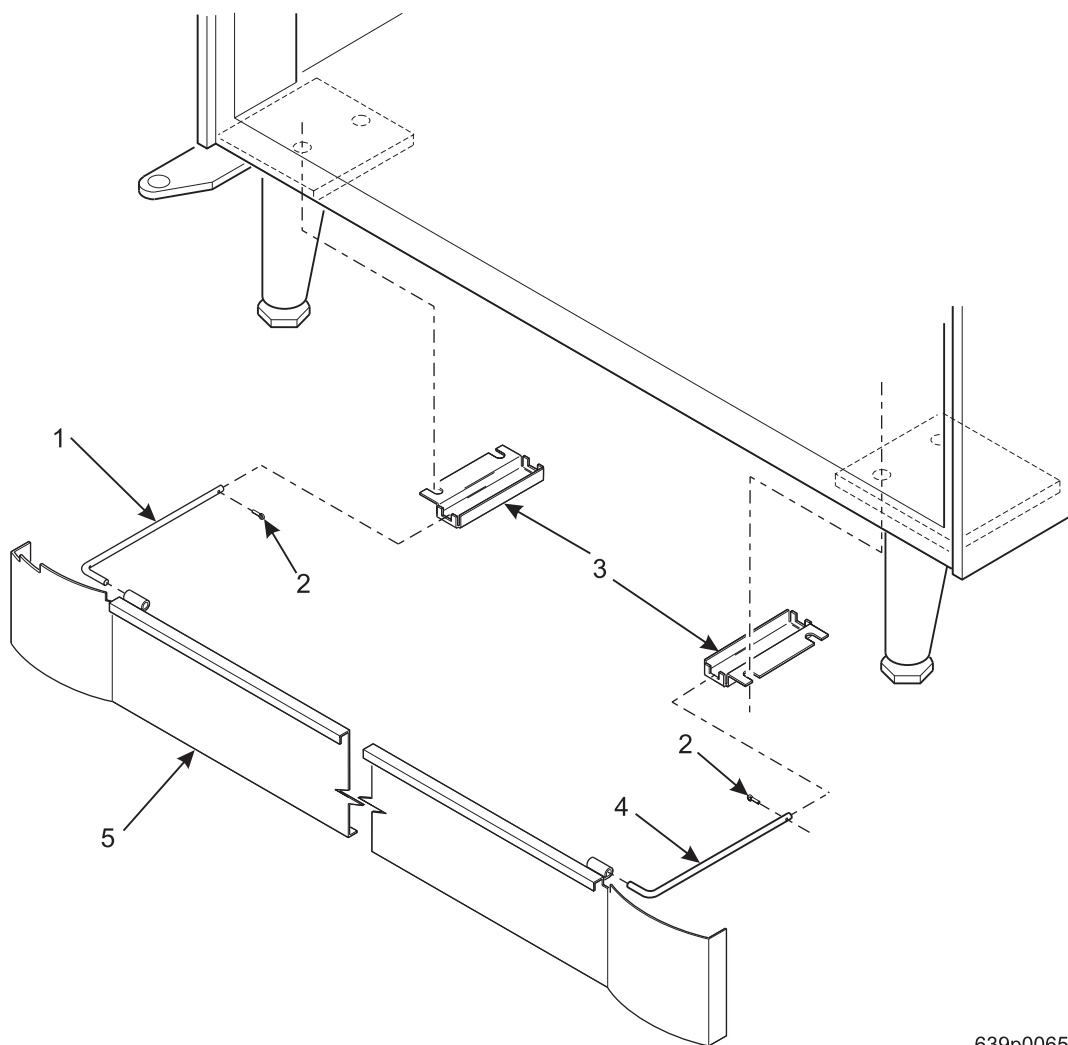


639p0064

Figure 91. Base Plate Accessory - Standard Style

TABLE 92. BASE PLATE ACCESSORY - MILLENNIA STYLE

INDEX	PART NUMBER	DESCRIPTION	QTY.
-	1571159	BASE PLATE AND ACCESSORY ASSEMBLY - MILLENNIA	-
1	1411195	SLIDE - BASE PLATE - LEFT HAND	1
2	9900098	COTTER PIN 3/32 X 3/4 IN	2
3	6231087	BRACKET - BASE PLATE	2
4	1411194	SLIDE - BASE PLATE - RIGHT HAND	1
5	1571161	BASE PLATE ASSEMBLY - 42" - MILLENNIA	1



639p0065

Figure 92. Base Plate Accessory - Millennium Style

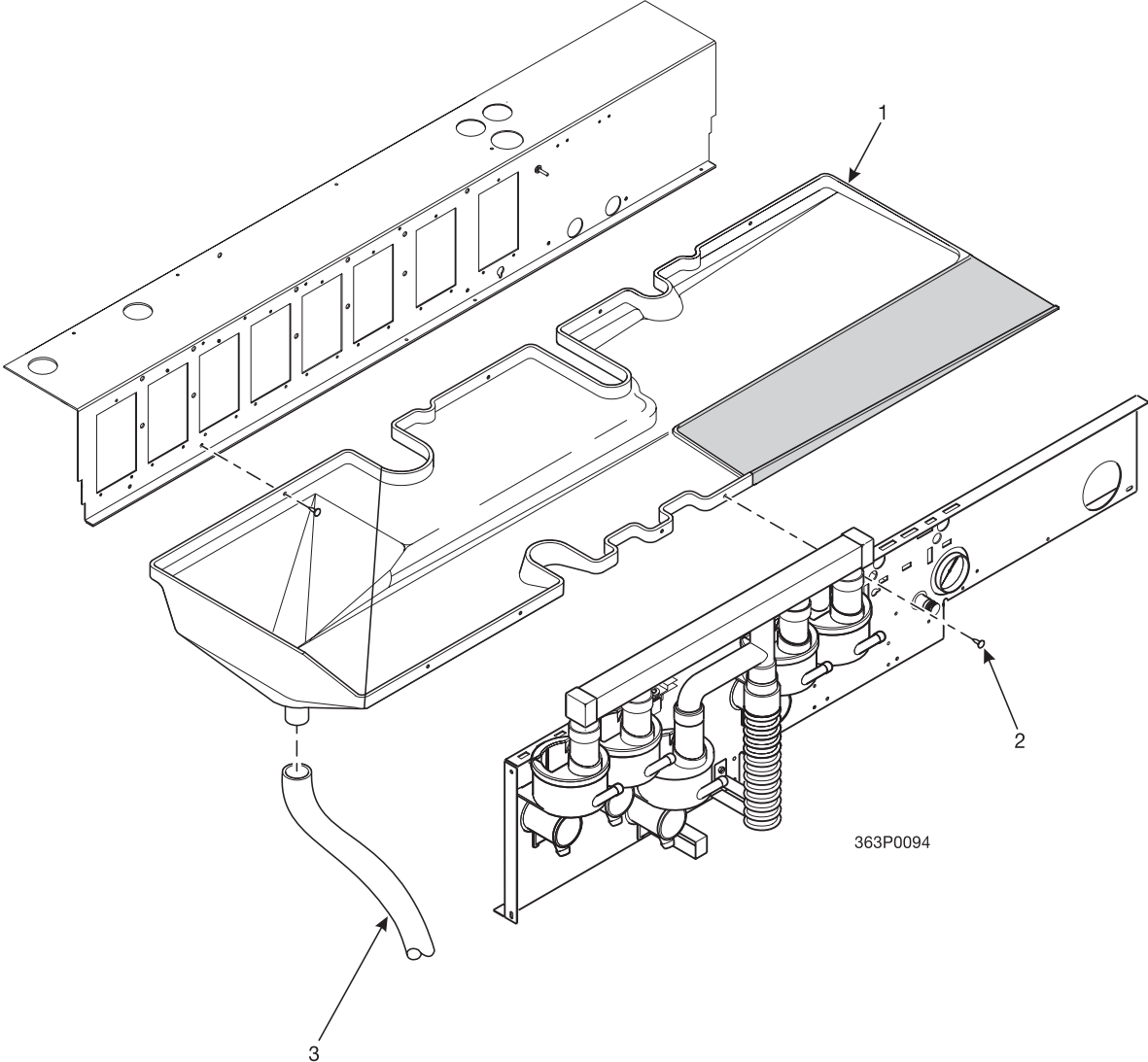


Figure 93. Ingredient Drain Tray Accessory

TABLE 93. INGREDIENT DRAIN TRAY ACCESSORY

INDEX	PART NUMBER	DESCRIPTION	QTY
*	6240823	INGREDIENT DRAIN TRAY ACCESSORY	REF
1	6231481	INGREDIENT DRAIN TRAY - 32" (FRESH BREW - SHADED AREA IS REMOVED)	1
	6231479	INGREDIENT DRAIN TRAY - 32" (FREEZE DRIED - SHADED AREA IS PRESENT)	1
2	6237053	FASTENER - PUSH IN	8
3	6238090	TUBE - 13/16 OD X 5/8 ID - BLACK	23 IN.

TABLE 94. DOOR LOCK GUARD ACCESSORY

INDEX	PART NUMBER	DESCRIPTION	QTY
-	1570763	DOOR LOCK GUARD	-
1	2222031	TEE BOLT - TRIM	4
2	1572186	GUARD-LOCK-COMMON	1
3	9900081	NUT - #8-32 KEPS ZINC PLATE	4

NOTE: Also available as a kit - part number 1572188.

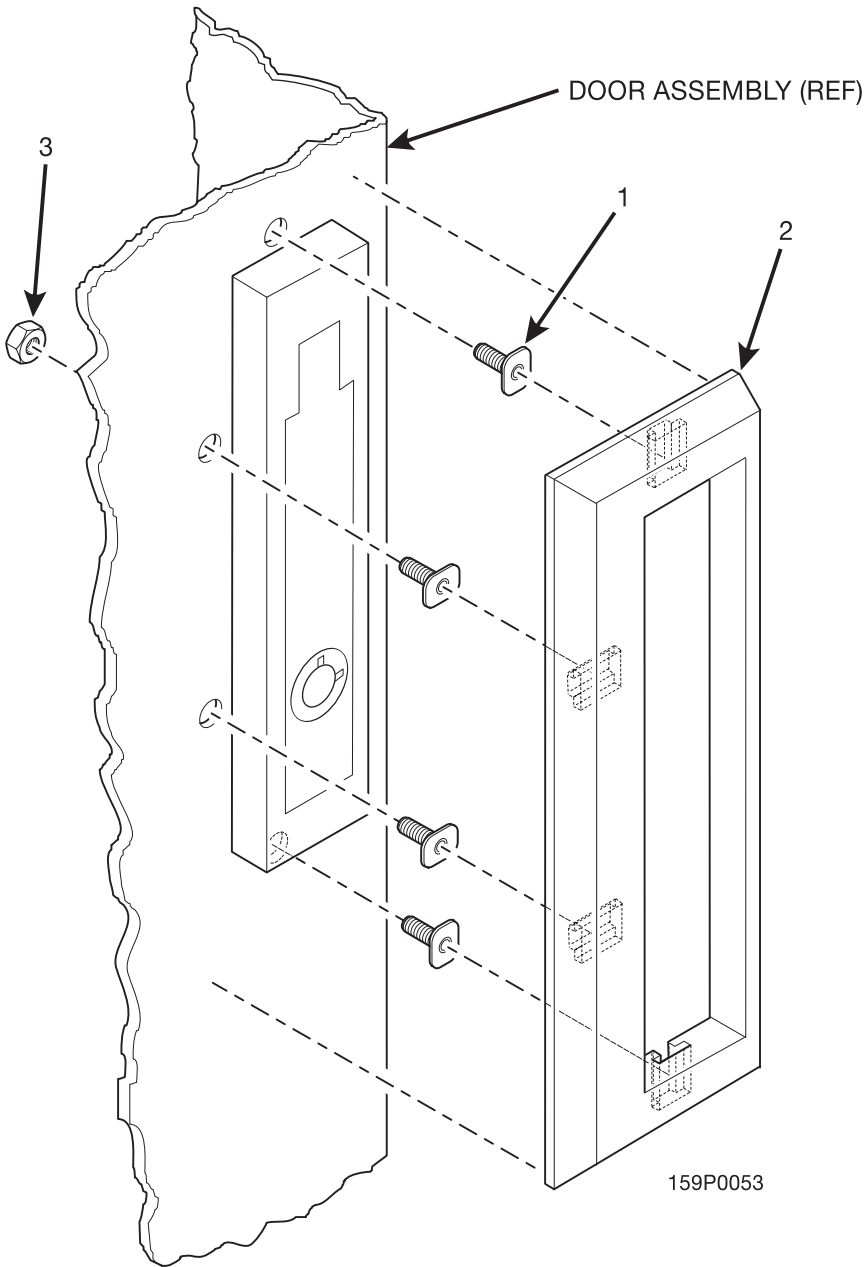


Figure 94. Door Lock Guard Accessory

TABLE 95. MONEY BOX LOCK ACCESSORY

PART NUMBER	DESCRIPTION	QTY
-	MONEY BOX LOCK ACCESSORY INCLUDES THE FOLLOWING ITEMS - NOT SHOWN:	OPT
1101906	MONEY BOX LOCK - #1801, KA, NV407	1
2221920	KEY - CHICAGO LOCK #1801, NV407	1
2222603	NUT - LOCK RETAINING	1
2222604	WASHER - LOCK BARRER - #2693	1

TABLE 96. BAG ASSEMBLY B6550000 - NESTLÉ

PART NUMBER	DESCRIPTION	QTY.
3158026	LABEL - EVERPURE - SMALL - 7001 - 07	1
6230007	FEATURE EXPLANATION SHEET	1
6230066	LABEL - "SAVE \$.05 USING MUG - DOM	1
6230067	LABEL - "ALWAYS GOOD VALUE	1
6232041	PLATE - DISPLAY LABEL	1
6232061	LABEL - MUG OPTION	1
6232062	LABEL - WINNERS MODE	1
6232080	LABEL - PRICE, CUP SIZE, BLNK	1
6237063	NOZZLE - DISPENSING - CANISTER	2
6237117	REMOVAL TOOL - IMPELLER	1
6237347	VINYL CAP - 1.00 ID X .50 LG	9
6550000	DOCUMENTATION PACKAGE	1
6550002	W.D. PACKAGE - 115V - DOM.	1
6552015	LABELS - SELECTION STICKERS	1
6552090	INSERT - CHOC. RASPBERRY, NESTLÉ	1
6552091	INSERT - HAZELNUT, NESTLÉ	1
6552093	INSERT - IRISH CREAM, NESTLÉ	1
6552096	INSERT - BABY RUTH - NESTLE	1
STANDARD SELECTION INSERTS - NOT PART OF BAG ASSEMBLY - FACTORY INSTALLED - NESTLÉ USA		
6552002	INSERT - HEADER - NESCAFE/INSTR.	1
6552082	INSERT - 100% COLUMBIAN, NESTLÉ	1
6552083	INSERT - 100% COLUMBIAN DECAF	1
6552084	INSERT - ESPRESSO ROAST, NESTLÉ	1
6552085	INSERT - FRENCH VANILLA, NESTLÉ	1
6552086	INSERT - MOCHA, NESTLÉ	1
6552087	INSERT - LATTE, NESTLÉ	1
6552088	INSERT - HOT COCOA, NESTLÉ	1

TABLE 97. BAG ASSEMBLY B6550001 - U.S.

PART NUMBER	DESCRIPTION	QTY.
3158026	LABEL - EVERPURE - SMALL - 7001 - 07	1
6230007	FEATURE EXPLANATION SHEET	1
6230066	LABEL - "SAVE \$.05 USING MUG" - DOM	1
6230067	LABEL - "ALWAYS GOOD VALUE	1
6230071	LABEL - FRENCH VANILLA CAFE	1
6232041	PLATE - DISPLAY LABEL	1
6232061	LABEL - MUG OPTION	1
6232062	LABEL - WINNER MODE	1
6232080	LABEL - PRICE, CUP SIZE, BLNK	1
6232086	LABEL - SELECTION - BLANK	1
6232088	LABEL - 1/2 COVERUP - LABEL - INSTR.	1
6237063	NOZZLE - DISPENSING - CANISTER	2
6237117	REMOVAL TOOL - IMPELLER	1
6237347	VINYL CAP - 1.00 ID X .50 LG	9
6550000	DOCUMENTATION PACKAGE	1
6550002	W.D. PACKAGE - 115V - DOM.	1
6552017	INSERT - SELECTIONS	1
6552018	INSERT - COFFEE	1
6552019	INSERT - DECAF COFFEE	1
6552020	INSERT - TEA	1
6552021	INSERT - CAPPUCINO	1
6552022	INSERT - INT'L COFFEE - POS. C	1
6552023	INSERT - HOT CHOCOLATE	1
6552024	INSERT - SOUP - CHICKEN / BEEF	1
6552025	INSERT - ESPRESSO	1
6552026	INSERT - ESPRESSO / CAFE LATTE	1
6552027	INSERT - INT'L COFFEE - POS. X	1
6552029	INSERT - BLANK - 1.52	2
6552030	INSERT - EUROPEAN CAPPUCINO	1

TABLE 98. BAG ASSEMBLY B6530005 - GERMANY

PART NUMBER	DESCRIPTION	QTY.
WD655001	WIRING DIAGRAM-230V	1
1672027	INSERT-INSTR-LOWER-EUROCOIN	1
6232041	PLATE-DISPLAY LABEL	1
6232064	LABEL-COF COVER UPS-GER	1
6232088	LABEL-1/2 COVERUP-LABEL-INST	1
6232128	LABEL-WINNERS MODE-GERMAN	1
6232173	LABEL-MUG OPTION-GERMAN	1
6232176	LABEL-PRICE-GER-.05/1.00	1
6232184	LABEL-SOUP-ALT CHOICE-GER.	1
6232198	LABEL-SAVE 5PF USING MUG-GER	1
6232218	LABEL-SAVE 10PF USING MUG-GE	1
6232510	HIGH PRICE LABEL-GERMAN	1
6233115	FUNNEL & INSERT ASSEMBLY	1
6237063	NOZZLE-DISPENSING-CANISTER	2
6237117	REMOVAL TOOL-IMPELLER	1
6237347	VINYL CAP-1.00 ID.X.50 LG	9
6530006	HDC SET-UP MANUAL	1
6530007	HDC PROGRAMMING GUIDE	1
6532008	LABELS-EUROCOIN-,05/1,00	1
6532009	LABELS-EUROCOIN-1,05/2,00	1
6532012	LABELS - EUROCOIN - 2,05/3,00	1
6552029	INSERT-BLANK-1.52	1
6552033	INSERT-SEL HEADER-7 SEL-GERM	1
6552034	INSERT-COFFEE-7 SEL-GERMAN	1
6552035	INSERT-DECAF COF-7 SEL-GERMA	1
6552036	INSERT-ZITRONENTEE-GERMAN(C)	1
6552037	INSERT-BLANK-7 SELECT(F)	1
6552038	INSERT-AM.CAPPUCCINO-GERMAN(1
6552039	INSERT-TEA-7 SEL-GERMAN	1
6552040	INSERT-HOT CHOC-GERMAN(G)	1
6552041	INSERT-EURO CAPPU.-GERMAN(H)	1
6552042	INSERT-RINDFLEISCHSUPPE-GER(1
6552043	INSERT-BLANK-7 SEL(X)	1
6552044	INSERT-ESPRESSO-7 SEL-GERMAN	1
6552045	LABEL-COFFEE-COVERUPS-GERMAN	1

TABLE 99. BAG ASSEMBLY B6530006 - FRANCE

PART NUMBER	DESCRIPTION	QTY.
WD655001	WIRING DIAGRAM-230V	1
1672027	INSERT-INSTR-LOWER-EUROCOIN	1
6232041	PLATE-DISPLAY LABEL	1
6232088	LABEL-1/2 COVERUP-LABEL-INST	1
6232130	LABEL-MUG OPTION-FR.	1
6232131	LABEL-WINNERS MODE-FR.	1
6232161	LABEL-SOUP-ALT CHOICE-FR.	1
6232228	LABEL-SEL.-ALTER.-FRENCH	1
6232258	LABEL-DRINK TYPES-FRENCH	1
6232259	LABELS-VOL.4CL TO 16CL-FR	1
6232260	LABELS-COFF GRNDS-TYPE-FR	1
6232509	LABEL-PRICE RANGE-1.00 TO2.3	1
6237063	NOZZLE-DISPENSING-CANISTER	2
6237117	REMOVAL TOOL-IMPELLER	1
6237347	VINYL CAP-1.00 ID.X.50 LG	9
6332051	LABEL-WHITENER NOTES-FRENCH	1
6332091	INSERT-SELECTIONS-FRENCH	1
6530006	HDC SET-UP MANUAL	1
6530007	HDC PROGRAMMING GUIDE	1
6532001	LABEL-SEL.ALTERNATIVES-FRENC	1
6532008	LABELS-EUROCOIN-,05/1,00	1
6532009	LABELS-EUROCOIN-1,05/2,00	1
6532012	LABELS - EUROCOIN - 2,05/3,00	1
6552029	INSERT-BLANK-1.52	1
6552043	INSERT-BLANK-7 SEL(X)	1
6552047	INSERT-SELECTIONS-TOP-FRENCH	1
6552048	INSERT-COFFEE-"A"SEL-FRENCH	1
6552054	INSERT-DECAF COF-"A"SEL-FREN	1
6552057	INSERT-COFFEE-"C"SEL-FRENCH	1
6552061	INSERT-COFFEE-"F"SEL-FRENCH	1
6552066	INSERT-AMER.CAPP-"E"SEL-FREN	1
6552067	INSERT-EURO CAPP-"H"SEL-FREN	1
6552069	INSERT-BLANK-"C"SEL-FRENCH	1
6552072	INSERT-HOT CHOC-"G"SEL-FRENC	1
6552075	INSERT-SOUP-"H"SEL-FRENCH	1
6552079	INSERT-ESPRESO-"D"-7 SEL-FR	1

TABLE 100. BAG ASSEMBLY B6530008 - SPAIN

PART NUMBER	DESCRIPTION	QTY.
WD655001	WIRING DIAGRAM-230V	1
1672027	INSERT-INSTR-LOWER-EUROCOIN	1
6230090	LABEL-"ALWAYS GOOD VALUE"SPA	1
6230091	LABEL-PRICE-SPANISH-RANGE25-	1
6232041	PLATE-DISPLAY LABEL	1
6232088	LABEL-1/2 COVERUP-LABEL-INST	1
6232259	LABELS-VOL.4CL TO 16CL-FR	1
6232271	INSERT-SEL. (2ND)-SPANISH	1
6232296	LABEL-MUG OPTION-SPANISH	1
6232297	LABEL-WINNERS MODE-SPANISH	1
6232298	LABEL-SAVE()WHEN USING MUG-S	1
6232300	LABEL-COFFEE GROUNDS TYPE-SP	1
6232302	LABEL-DRINK TYPES-SPANISH	1
6232303	LABEL-SOUP-ALT.CHOICES-SPANI	1
6237063	NOZZLE-DISPENSING-CANISTER	2
6237117	REMOVAL TOOL-IMPELLER	1
6237347	VINYL CAP-1.00 ID.X.50 LG	9
6530006	HDC SET-UP MANUAL	1
6530007	HDC PROGRAMMING GUIDE	1
6532004	LABELS-SEL.ALTERNATIVE-SPANI	1
6532008	LABELS-EUROCOIN-,05/1,00	1
6532009	LABELS-EUROCOIN-1,05/2,00	1
6532012	LABELS - EUROCOIN - 2,05/3,00	1
6552029	INSERT-BLANK-1.52	1
6552043	INSERT-BLANK-7 SEL(X)	1
6552046	INSERT-SELECTION-TOP-SPANISH	1
6552051	INSERT-COFFEE-"A"SEL-SPANISH	1
6552052	INSERT-COFFEE-"B"SEL-SPANISH	1
6552056	INSERT-COFFEE-"C"SEL-SPANISH	1
6552058	INSERT-COFFEE-"F"SEL-SPANISH	1
6552059	INSERT-TEA-LARGE CUP-SPANISH	1
6552063	INSERT-CAPPU-"E"SEL-SPANISH	1
6552070	INSERT-HOT CHOC-"G"SEL-SPANI	1
6552073	INSERT-SOUP-TOMATO-SPANISH	1

TABLE 101. BAG ASSEMBLY B6530004 - AUSTRALIA/NEW ZEALAND

PART NUMBER	DESCRIPTION	QTY.
WD655003	W.D.-HOT BEVERAGE-230V	1
6230007	FEATURE EXPLANATION SHEET	1
6230067	LABEL-"ALWAYS GOOD VALUE	"1
6232041	PLATE-DISPLAY LABEL	1
6232061	LABEL-MUG OPTION	1
6232062	LABEL-WINNERS MODE	1
6232080	LABEL-PRICE,CUP SIZE,BLNK	1
6232086	LABEL-SELECTION-BLANK	1
6232088	LABEL-1/2 COVERUP-LABEL-INST	1
6232175	LABEL-COVER-UPS-HOT DRINK-U.	1
6232177	LABELS-SEL-ALT-SOUPS&TEAS-UK	1
6237046	PLUG-AUGER	2
6237063	NOZZLE-DISPENSING-CANISTER	2
6237080	NOZZLE-DISPENSING-F.D.COFFEE	5
6237117	REMOVAL TOOL-IMPELLER	1
6237347	VINYL CAP-1.00 ID.X.50 LG	9
6530006	HDC SET-UP MANUAL	1
6530008	HDC PROGRAMMING GUIDE	1
6552017	INSERT-SELECTIONS	1
6552018	INSERT-COFFEE	1
6552019	INSERT-DECAF COFFEE	1
6552022	INSERT-INT'L COFFEE-POS.C	1
6552023	INSERT-HOT CHOCOLATE-7 SEL.	1
6552024	INSERT-SOUP-CHICKEN/BEEF	1
6552025	INSERT-ESPRESSO	1
6552027	INSERT-INT'L COFFEE-POS.X	1
6552030	INSERT-EUROPEAN CAPPUCINO	1
6552062	INSERT-FB TEA-F SEL-7 SEL-U.	1
6552065	INSERT-CAPPU.-E SEL-7 SEL-UK	1

TABLE 102. BAG ASSEMBLY B6530010 - MEXICO

PART NUMBER	DESCRIPTION	QTY.
WD655000	W.D.-HOT BEVERAGE-115V (OBS)	1
WD655001	WIRING DIAGRAM-230V (OBS)	1
6230007	FEATURE EXPLANATION SHEET	1
6230090	LABEL-"ALWAYS GOOD VALUE"SPA	1
6230091	LABEL-PRICE-SPANISH-RANGE25-	1
6232041	PLATE-DISPLAY LABEL	1
6232088	LABEL-1/2 COVERUP-LABEL-INST	1
6232268	INSERT-ESPRESSO-"D" SEL.-SP.	1
6232271	INSERT-SEL. (2ND)-SPANISH	1
6232296	LABEL-MUG OPTION-SPANISH	1
6232297	LABEL-WINNERS MODE-SPANISH	1
6232298	LABEL-SAVE()WHEN USING MUG-S	1
6232299	LABEL-SELECTION-SPANISH	1
6232300	LABEL-COFFEE GROUNDS TYPE-SP	1
6232302	LABEL-DRINK TYPES-SPANISH	1
6232303	LABEL-SOUP-ALT.CHOICES-SPANI	1
6232509	LABEL-PRICE RANGE-1.00 TO2.3	1
6232524	LABEL-PRICE SHEET-HIGH-CUP S	1
6237117	REMOVAL TOOL-IMPELLER	1
6237347	VINYL CAP-1.00 ID.X.50 LG	9
6530006	HDC SET-UP MANUAL	1
6530008	HDC PROGRAMMING GUIDE	1
6552029	INSERT-BLANK-1.52	1
6552043	INSERT-BLANK-7 SEL(X)	1
6552046	INSERT-SELECTION-TOP-SPANISH	1
6552051	INSERT-COFFEE-"A"SEL-SPANISH	1
6552052	INSERT-COFFEE-"B"SEL-SPANISH	1
6552056	INSERT-COFFEE-"C"SEL-SPANISH	1
6552058	INSERT-COFFEE-"F"SEL-SPANISH	1
6552059	INSERT-TEA-LARGE CUP-SPANISH	1
6552063	INSERT-CAPPU-"E"SEL-SPANISH	1
6552070	INSERT-HOT CHOC-"G"SEL-SPANI	1
6552073	INSERT-SOUP-TOMATO-SPANISH	1

TABLE 103. BAG ASSEMBLY B6530011 - SWEDEN

PART NUMBER	DESCRIPTION	QTY.
WD655001	WIRING DIAGRAM-230V (OBS)	1
1300018	BAG PLASTIC	1
6230007	FEATURE EXPLANATION SHEET	1
6230067	LABEL-"ALWAYS GOOD VALUE	"1
6232041	PLATE-DISPLAY LABEL	1
6232062	LABEL-WINNERS MODE	1
6232080	LABEL-PRICE,CUP SIZE,BLNK	1
6232086	LABEL-SELECTION-BLANK	1
6232088	LABEL-1/2 COVERUP-LABEL-INST	1
6237063	NOZZLE-DISPENSING-CANISTER	2
6237117	REMOVAL TOOL-IMPELLER	1
6237347	VINYL CAP-1.00 ID.X.50 LG	9
6332011	INSERT-COFFEE-SWEDEN-2/S	1
6332012	INSERT-DECAF COFFEE-SWEDN 2/	1
6332013	INSERT-INTL COFFEE-SWEDEN 1/	1
6332014	INSRT-HOTWTR/CUPONLY-SWDN 2/	1
6332015	INSERT-ESPRESSO-SWEDEN-2/S	1
6332016	INSERT-ESPR/CAFELATTE-SWDN2/	1
6332017	INSERT-CAPPUCCINO-SWEDEN-1/S	1
6332018	INSERT-TEA-SWEDEN-2/S	1
6332019	INSERT-HOT CHOCOLAT-SWEDN 1/	1
6332020	INSERT-SOUP-SWEDEN-2/S	1
6332021	LABEL-MUG OPTION-SWEDEN	1
6332022	INSERT-SELECTIONS-SWEDEN-1/S	1
6332026	LABEL-INSTR/CUP SIZE-SWEDEN	1
6332027	INSERT-EUROPEAN CAPUCCINO-2/	1
6530006	HDC SET-UP MANUAL	1
6530008	HDC PROGRAMMING GUIDE	1

TABLE 104. LABELS (U.S./CANADA)

PART NUMBER	DESCRIPTION	MODEL	QTY
1570057	LABEL - COIN MECH FUSE - ENG. KB	ALL	1
1570123	LABEL - COIN MECHANISM - 120VDC	ALL	1
1571042	LABEL - LED & EPROM - ENGLISH K	ALL	1
1571154	LABEL - CAUTION - STATIC/ELECT*	ALL	2
1571202	LABEL - U.L.& U.L.CANADA	ALL	1
1575058	LETTER SHEET - SELECT SWITCH	ALL	-
1670018	LABEL - QUALITY - UNIVERSAL	ALL	1
1670038	CARD - CUSTOMER COMMENT	ALL	1
2220108	LABEL CONCEALED DAMAGE	ALL	1
2221039	LABEL - UNION #MM090160N SMALL	ALL	1
2221095	LABEL - PATENT	ALL	1
3611082	LABEL - BREWER COVER - WARNING	653/657	1
4311117	LABEL - POWER CONTROL PNL - ENGL	ALL	1
4761148	LABEL - EARTHING KB	ALL	1
5580121	LABEL - FCC APPROVAL	ALL	1
6230021	LABEL - NAMA LISTED PRODUCT	ALL	1
6231169	LABEL - EXHAUST - FILTER INSP	ALL	1
6231187	LABEL - HOSE - HOT WATER	ALL	1
6231188	LABEL - CAUTION - HOT SURFACE	ALL	1
6231189	LABEL - WARNING - HIGH VOLTAGE -	ALL	3
6231191	LABEL - CAUTION - SHARP BLADE	657	2
6231197	LABEL - CAUTION - H.W. HAZARD - U.	653/ 657	1
6232060	LABEL - INSTR. - CUP SIZE	ALL	1
6232132	LABEL - DISPLAY - FILLER - FG&B - EN	657	1
6232170	LABEL - LATCH RELEASE	ALL	1
6232513	LABEL - SANITATION	ALL	1
6233073	LABEL - CUP SIZE	ALL	2
6233074	LABEL - CUP TURRET LOADING	ALL	1
6233095	LABEL - FILL LINE	ALL	3
6237270	LABEL - GRIND SETTING	657	2
6272001	LABEL - CAUTION - HOT BEVERAGES	ALL	1
6335001	LABEL - SERVICE KEYPAD - EMBOSS	ALL	-
6531000	TAG - ELECTRICAL RATING - 115V	653	1
6531001	LABEL - MODEL DESIGNATION - 115V	653	1
6551000	TAG - ELECTRICAL RATING - 115V	655	1
6551001	LABEL - MODEL DESIGNATION - 115V	655	1
6552002	INSERT - HEADER - NESCAFE/INSTR.	U.S. NESTLE	1
6552016	LABEL - MENU - U.S./U.K.	ALL	1
6552082	INSERT - 100% COLOMBIAN - NESCAF	ALL	1
6552084	INSERT - ESPRESSO ROAST - NESCAF	U.S. NESTLE	1
6552085	INSERT - FRENCH VANILLA - NESCAF	U.S. NESTLE	1
6552086	INSERT - MOCHA - NESCAFE	U.S. NESTLE	1
6552087	INSERT - LATTE' - NESCAFE	U.S. NESTLE	1
6552088	INSERT - HOT COCOA - NESCAFE	U.S. NESTLE	1
6557003	LABEL - CANISTER	ALL	1
6558000	LABEL - WATER VALVE POSITION	ALL	1
6571000	TAG - ELECTRICAL RATING - 115V	657	1
6571001	LABEL - MODEL DESIGNATION - 115V	657	1
9989545	LABEL - WARNING - POWER CORD	ALL	1

TABLE 105. LABELS - U.K./N.Z./AUSTRALIA

PART NUMBER	DESCRIPTION	MODEL	QTY
1571042	LABEL - LED & EPROM - ENGLISH K	ALL	1
1571065	LABEL - POWER CONTROL PANEL - U.	ALL	1
1571100	LABEL - SWITCH - LINE/NEUTRAL KB	ALL	1
1571154	LABEL - CAUTION - STATIC/ELECT*	ALL	2
1575010	LETTER SHEET - SELECT SWITCH	ALL	-
1670018	LABEL - QUALITY - UNIVERSAL	ALL	1
1671021	LABEL - DEGREE OF PROTECTION	ALL	1
2220108	LABEL CONCEALED DAMAGE	ALL	1
2221039	LABEL - UNION #MM090160N SMALL	ALL	1
2221095	LABEL - PATENT	ALL	1
3611082	LABEL - BREWER COVER - WARNING	653/657	1
4110042	LABEL - CE CERTIFICATION - EMC	ALL	2
4761148	LABEL - EARTHING KB	653/657	1
6231169	LABEL - EXHAUST - FILTER INSP	ALL	1
6231187	LABEL - HOSE - HOT WATER	ALL	1
6231188	LABEL - CAUTION - HOT SURFACE	ALL	1
6231189	LABEL - WARNING - HIGH VOLTAGE -	ALL	4
6231191	LABEL - CAUTION - SHARP BLADE	657	1
6231197	LABEL - CAUTION - H.W. HAZARD - U.	653/657	1
6232148	LABEL - INSTR - CUP SIZE - U.K.	ALL	1
6232170	LABEL - LATCH RELEASE	ALL	1
6232513	LABEL - SANITATION	ALL	1
6233073	LABEL - CUP SIZE	ALL	2
6233074	LABEL - CUP TURRET LOADING	ALL	1
6233095	LABEL - FILL LINE	ALL	3
6237270	LABEL - GRIND SETTING	657	1
6335001	LABEL - SERVICE KEYPAD - EMBOSSÉ	ALL	-
6531003	TAG - ELECTRICAL RATING - 230V	653	1
6531004	LABEL - MODEL DESIGNATION - 230V	653	1
6551017	TAG - ELECTRICAL RATING - 230V	655	1
6551018	LABEL - MODEL DESIGNATION - 230V	655	1
6552016	LABEL - MENU - U.S./U.K.	ALL	1
6557003	LABEL - CANISTER	ALL	1
6558000	LABEL - WATER VALVE POSITION	ALL	1
6571002	TAG - ELECTRICAL RATING - 230V	657	1
6571003	LABEL - MODEL DESIGNATION - 230V	657	1

TABLE 106. LABELS - FRANCE

PART NUMBER	DESCRIPTION	MODEL	QTY
1571044	LABEL - LED & EPROM - FRENCH KB	ALL	1
1571100	LABEL - SWITCH - LINE/NEUTRAL KB	ALL	1
1571166	LABEL - CAUTION - STATIC/ELECT - F	ALL	2
1575010	LETTER SHEET - SELECT SWITCH	ALL	-
1670018	LABEL - QUALITY - UNIVERSAL	ALL	1
1671021	LABEL - DEGREE OF PROTECTION	ALL	1
2220108	LABEL CONCEALED DAMAGE	ALL	1
2221039	LABEL - UNION #MM090160N SMALL	ALL	1
2221095	LABEL - PATENT	ALL	1
4110042	LABEL - CE CERTIFICATION - EMC	ALL	2
4311120	LABEL - PWR CONT PNL - 220V - FRNC	ALL	1
4761148	LABEL - EARTHING KB	ALL	1
6231204	LABEL - HOSE - HOT WATER - FR.	ALL	1
6231205	LABEL - CAUTION - SHARP BLADES - F	657	1
6231207	LABEL - CAUTION - HOT SURFACE - FR	ALL	1
6231214	LABEL - EXH.FILTER INSP - FR.	ALL	1
6231218	LABEL - CUP SIZE - FRENCH	ALL	2
6231220	LABEL - CAUTION - HOT WATER HAZA	ALL	1
6231229	LABEL - WARNING - HIGH VOLTAGE - F	ALL	4
6232127	LABEL - LATCH RELEASE - FR.	ALL	1
6232143	LABEL - SANITATION - FRENCH	ALL	1
6232257	LABEL - INSTRUCTION - FR.	ALL	1
6233069	LABEL - CUP TURRET LOADING - FR.	ALL	1
6233096	LABEL - FILL - FRENCH	ALL	3
6237270	LABEL - GRIND SETTING	657	1
6335001	LABEL - SERVICE KEYPAD - EMBOSSE	ALL	-
6531003	TAG - ELECTRICAL RATING - 230V	653	1
6531004	LABEL - MODEL DESIGNATION - 230V	653	1
6531011	LABEL - CANISTERS - FRENCH	ALL	1
6532002	LABEL - MENU - FRANCE	ALL	1
6551017	TAG - ELECTRICAL RATING - 230V	655	1
6551018	LABEL - MODEL DESIGNATION - 230V	655	1
6558012	LABEL - WATER VALVE POS. - FRENC	ALL	1
6571002	TAG - ELECTRICAL RATING - 230V	657	1
6571003	LABEL - MODEL DESIGNATION - 230V	657	1

TABLE 107. LABELS - GERMANY

PART NUMBER	DESCRIPTION	MODEL	QTY
1571043	LABEL - LED & EPROM - GERMAN KB	ALL	1
1571100	LABEL - SWITCH - LINE/NEUTRAL KB	ALL	1
1571168	LABEL - CAUTION - STATIC/ELEC - GE	ALL	2
1575010	LETTER SHEET - SELECT SWITCH	ALL	-
1670018	LABEL - QUALITY - UNIVERSAL	ALL	1
1671021	LABEL - DEGREE OF PROTECTION	ALL	1
2220108	LABEL CONCEALED DAMAGE	ALL	1
2221039	LABEL - UNION #MM090160N SMALL	ALL	1
2221095	LABEL - PATENT	ALL	1
3611096	LABEL - BREWER COVER - GER.	653/657	1
4110042	LABEL - CE CERTIFICATION - EMC	ALL	2
4311119	LABEL - PWR CONT PNL - 220V - GRMA	ALL	1
4761148	LABEL - EARTHING KB	ALL	1
6231192	LABEL - CAUTION - HOT SURFACE - GE	ALL	1
6231193	LABEL - CAUTION - SHARP BLADE - GE	657	1
6231209	LABEL - HOSE - HOT WATER - GER.	ALL	1
6231212	LABEL - EXHAUST FILTER INSP - GE	ALL	1
6231213	LABEL - WARNING - PRESSURIZED HO	653/657	1
6231216	LABEL - WARNING - HI VOLTAGE - GER	ALL	4
6232126	LABEL - LATCH RELEASE - GER.	ALL	1
6232142	LABEL - SANITATION - GERMAN	ALL	1
6232194	LABEL - INSTR - CUP SIZE - XTRA - GE	ALL	1
6233066	LABEL - CUP SIZE - GERMAN	ALL	2
6233071	LABEL - CUP TURRET LOADING - GER	ALL	1
6233097	LABEL - FILL - GERMAN	ALL	3
6237270	LABEL - GRIND SETTING	657	1
6335001	LABEL - SERVICE KEYPAD - EMBOSS	ALL	-
6531003	TAG - ELECTRICAL RATING - 230V	653	1
6531004	LABEL - MODEL DESIGNATION - 230V	653	1
6551017	TAG - ELECTRICAL RATING - 230V	655	1
6551018	LABEL - MODEL DESIGNATION - 230V	655	1
6552032	LABEL - MENU - GERMANY	ALL	1
6557007	LABELS - CANISTERS - GERMAN KB	ALL	1
6558008	LABEL - WATER VALVE POS. - GERMA	ALL	1
6571002	TAG - ELECTRICAL RATING - 230V	657	1
6571003	LABEL - MODEL DESIGNATION - 230V	657	1

TABLE 108. LABELS - SPAIN

PART NUMBER	DESCRIPTION	MODEL	QTY
1571045	LABEL - LED & EPROM - SPANISH	ALL	1
1571100	LABEL - SWITCH - LINE/NEUTRAL KB	ALL	1
1571167	LABEL - CAUTION - STATIC/ELEC.CO	ALL	2
1575010	LETTER SHEET - SELECT SWITCH	ALL	-
1670018	LABEL - QUALITY - UNIVERSAL	ALL	1
1671021	LABEL - DEGREE OF PROTECTION	ALL	1
2220108	LABEL CONCEALED DAMAGE	ALL	1
2221039	LABEL - UNION #MM090160N SMALL	ALL	1
2221095	LABEL - PATENT	ALL	1
4110042	LABEL - CE CERTIFICATION - EMC	ALL	2
4311121	LABEL - PWR CONT PNL - 220V - SPAN	ALL	1
4761148	LABEL - EARTHING KB	ALL	1
6232276	LABEL - CAUTION - SHARP BLADES - S	657	1
6232281	LABEL - LATCH RELEASE - SPANISH	ALL	1
6232282	LABEL - CUP TURRET - LOADING - SP.	ALL	1
6232284	LABEL - GRINDER SETTING - SPANIS	657	1
6232285	LABEL - CUP SIZE - SPANISH	ALL	2
6232286	LABEL - SANITATION - SPANISH	ALL	1
6232287	LABEL - EXHAUST FILTER INSP - SP	ALL	1
6232288	LABEL - CAUTION - HOT SURFACE - SP	ALL	1
6232289	LABEL - HOSE - HOT WATER - SPANISH	ALL	1
6232290	LABEL - WRNG - HI VOLTAGE - SPANIS	ALL	4
6232293	LABEL - CAU. - H.W. HAZARD - SPANI	ALL	1
6232294	LABEL - INSTRUCTION - SPANISH	ALL	1
6233098	LABEL - FILL LINE - SPANISH	ALL	3
6234635	LABEL - BREWER COVER - SPANISH	653/657	1
6335004	LABEL - SERVICE KEYPAD - SPANISH	ALL	-
6531003	TAG - ELECTRICAL RATING - 230V	653	1
6531004	LABEL - MODEL DESIGNATION - 230V	653	1
6531012	LABELS - CANISTERS - SPANISH	ALL	1
6532003	LABEL - MENU - SPANISH	ALL	1
6551017	TAG - ELECTRICAL RATING - 230V	655	1
6551018	LABEL - MODEL DESIGNATION - 230V	655	1
6558013	LABEL - WATER VALVE POS. - SPAIN	ALL	1
6571002	TAG - ELECTRICAL RATING - 230V	657	1
6571003	LABEL - MODEL DESIGNATION - 230V	657	1

TABLE 109. LABELS - SWEDEN

PART NUMBER	DESCRIPTION	MODEL	QTY
1571042	LABEL - LED & EPROM - ENGLISH K	653	1
1571065	LABEL - POWER CONTROL PANEL - U.	653	1
1571100	LABEL - SWITCH - LINE/NEUTRAL KB	653	1
1571154	LABEL - CAUTION - STATIC/ELECT*	653	2
1575010	LETTER SHEET - SELECT SWITCH	653	-
1670018	LABEL - QUALITY - UNIVERSAL	653	1
1671021	LABEL - DEGREE OF PROTECTION	653	1
2220108	LABEL CONCEALED DAMAGE	653	1
2221039	LABEL - UNION #MM090160N SMALL	653	1
2221095	LABEL - PATENT	653	1
3611082	LABEL - BREWER COVER - WARNING	653	1
4110042	LABEL - CE CERTIFICATION - EMC	653	2
4761148	LABEL - EARTHING KB	653	1
6231169	LABEL - EXHAUST - FILTER INSP	653	1
6231187	LABEL - HOSE - HOT WATER	653	1
6231188	LABEL - CAUTION - HOT SURFACE	653	1
6231189	LABEL - WARNING - HIGH VOLTAGE -	653	4
6231197	LABEL - CAUTION - H.W. HAZARD - U.	653	1
6232148	LABEL - INSTR - CUP SIZE - U.K.	653	1
6232170	LABEL - LATCH RELEASE	653	1
6232513	LABEL - SANITATION	653	1
6233073	LABEL - CUP SIZE	653	2
6233074	LABEL - CUP TURRET LOADING	653	1
6233095	LABEL - FILL LINE	653	3
6272001	LABEL - CAUTION - HOT BEVERAGES	653	1
6335001	LABEL - SERVICE KEYPAD - EMBOSSE	653	-
6531003	TAG - ELECTRICAL RATING - 230V	653	1
6531004	LABEL - MODEL DESIGNATION - 230V	653	1
6552016	LABEL - MENU - U.S./U.K.	653	1
6557003	LABEL - CANISTER	653	1
6558000	LABEL - WATER VALVE POSITION	653	1

TABLE 110. LABELS - MEXICO

PART NUMBER	DESCRIPTION	MODEL	QTY
1571045	LABEL - LED & EPROM - SPANISH	653/657	1
1571128	LABEL - POWER CONTROL PANEL - SP	653/657	1
1571167	LABEL - CAUTION - STATIC/ELEC.CO	653/657	2
1575010	LETTER SHEET - SELECT SWITCH	653/657	-
1670018	LABEL - QUALITY - UNIVERSAL	653/657	1
2221039	LABEL - UNION #MM090160N SMALL	653/657	1
2221095	LABEL - PATENT	653/657	1
4761148	LABEL - EARTHING KB	653/657	1
6232276	LABEL - CAUTION - SHARP BLADES - S	657	1
6232281	LABEL - LATCH RELEASE - SPANISH	653/657	1
6232282	LABEL - CUP TURRET - LOADING - SP.	653/657	1
6232284	LABEL - GRINDER SETTING - SPANIS	657	1
6232285	LABEL - CUP SIZE - SPANISH	653/657	2
6232286	LABEL - SANITATION - SPANISH	653/657	1
6232287	LABEL - EXHAUST FILTER INSP - SP	653/657	1
6232288	LABEL - CAUTION - HOT SURFACE - SP	653/657	1
6232289	LABEL - HOSE - HOT WATER - SPANISH	653/657	1
6232290	LABEL - WRNG - HI VOLTAGE - SPANIS	653/657	4
6232292	LABEL - DISPLAY FILLER - FG & B - S	657	1
6232293	LABEL - CAU. - H.W. HAZARD - SPANI	653/657	1
6232294	LABEL - INSTRUCTION - SPANISH	653/657	1
6232520	LABEL - INSTR - CUP SIZE - ARG.	653/657	1
6233098	LABEL - FILL LINE - SPANISH	653/657	3
6234635	LABEL - BREWER COVER - SPANISH	657	1
6335004	LABEL - SERVICE KEYPAD - SPANISH	653/657	-
6531000	TAG - ELECTRICAL RATING - 115V	653	1
6531001	LABEL - MODEL DESIGNATION - 115V	653	1
6531012	LABELS - CANISTERS - SPANISH	653/657	1
6532003	LABEL - MENU - SPANISH	653/657	1
6558013	LABEL - WATER VALVE POS. - SPAIN	653/657	1
6571000	TAG - ELECTRICAL RATING - 115V	657	1
6571001	LABEL - MODEL DESIGNATION - 115V	657	1
9989583	LABEL - WARNING - PWR CORD - MEXIC	653/657	1

TABLE 111. LABELS - SINGAPORE

PART NUMBER	DESCRIPTION	MODEL	QTY
1571042	LABEL - LED & EPROM - ENGLISH K	655	1
1571065	LABEL - POWER CONTROL PANEL - U.	655	1
1571100	LABEL - SWITCH - LINE/NEUTRAL KB	655	1
1571154	LABEL - CAUTION - STATIC/ELECT*	655	2
1575010	LETTER SHEET - SELECT SWITCH	655	-
1670018	LABEL - QUALITY - UNIVERSAL	655	1
1671021	LABEL - DEGREE OF PROTECTION	655	1
2220108	LABEL CONCEALED DAMAGE	655	1
2221039	LABEL - UNION #MM090160N SMALL	655	1
2221095	LABEL - PATENT	655	1
4110042	LABEL - CE CERTIFICATION - EMC	655	2
6231169	LABEL - EXHAUST - FILTER INSP	655	1
6231187	LABEL - HOSE - HOT WATER	655	1
6231188	LABEL - CAUTION - HOT SURFACE	655	1
6231189	LABEL - WARNING - HIGH VOLTAGE -	655	4
6232060	LABEL - INSTR. - CUP SIZE	655	1
6232170	LABEL - LATCH RELEASE	655	1
6232513	LABEL - SANITATION	655	1
6233073	LABEL - CUP SIZE	655	2
6233074	LABEL - CUP TURRET LOADING	655	1
6233095	LABEL - FILL LINE	655	3
6335001	LABEL - SERVICE KEYPAD - EMBOSSE	655	-
6551017	TAG - ELECTRICAL RATING - 230V	655	1
6551018	LABEL - MODEL DESIGNATION - 230V	655	1
6552016	LABEL - MENU - U.S./U.K.	655	1
6557003	LABEL - CANISTER	655	1
6558000	LABEL - WATER VALVE POSITION	655	1

TABLE 112. LABELS - NAVY

PART NUMBER	DESCRIPTION	MODEL	QTY
1571042	LABEL - LED & EPROM - ENGLISH K	657	1
1571065	LABEL - POWER CONTROL PANEL - U.	657	1
1571100	LABEL - SWITCH - LINE/NEUTRAL KB	657	1
1571154	LABEL - CAUTION - STATIC/ELECT*	657	2
1571202	LABEL - U.L.& U.L.CANADA	657	1
1575010	LETTER SHEET - SELECT SWITCH	657	-
1670018	LABEL - QUALITY - UNIVERSAL	657	1
1671021	LABEL - DEGREE OF PROTECTION	657	1
2220108	LABEL CONCEALED DAMAGE	657	1
2221039	LABEL - UNION #MM090160N SMALL	657	1
2221095	LABEL - PATENT	657	1
3611082	LABEL - BREWER COVER - WARNING	657	1
4761148	LABEL - EARTHING KB	657	1
5580121	LABEL - FCC APPROVAL	657	1
6230021	LABEL - NAMA LISTED PRODUCT	657	1
6231169	LABEL - EXHAUST - FILTER INSP	657	1
6231187	LABEL - HOSE - HOT WATER	657	1
6231188	LABEL - CAUTION - HOT SURFACE	657	1
6231189	LABEL - WARNING - HIGH VOLTAGE -	657	4
6231191	LABEL - CAUTION - SHARP BLADE	657	1
6231197	LABEL - CAUTION - H.W. HAZARD - U.	657	1
6232060	LABEL - INSTR. - CUP SIZE	657	1
6232132	LABEL - DISPLAY - FILLER - FG&B - EN	657	1
6232170	LABEL - LATCH RELEASE	657	1
6232513	LABEL - SANITATION	657	1
6233073	LABEL - CUP SIZE	657	2
6233074	LABEL - CUP TURRET LOADING	657	1
6233095	LABEL - FILL LINE	657	3
6237270	LABEL - GRIND SETTING	657	1
6272001	LABEL - CAUTION - HOT BEVERAGES	657	1
6335001	LABEL - SERVICE KEYPAD - EMBOSSE	657	-
6552016	LABEL - MENU - U.S./U.K.	657	1
6557003	LABEL - CANISTER	657	1
6558000	LABEL - WATER VALVE POSITION	657	1
6571002	TAG - ELECTRICAL RATING - 230V	657	1
6571003	LABEL - MODEL DESIGNATION - 230V	657	1

