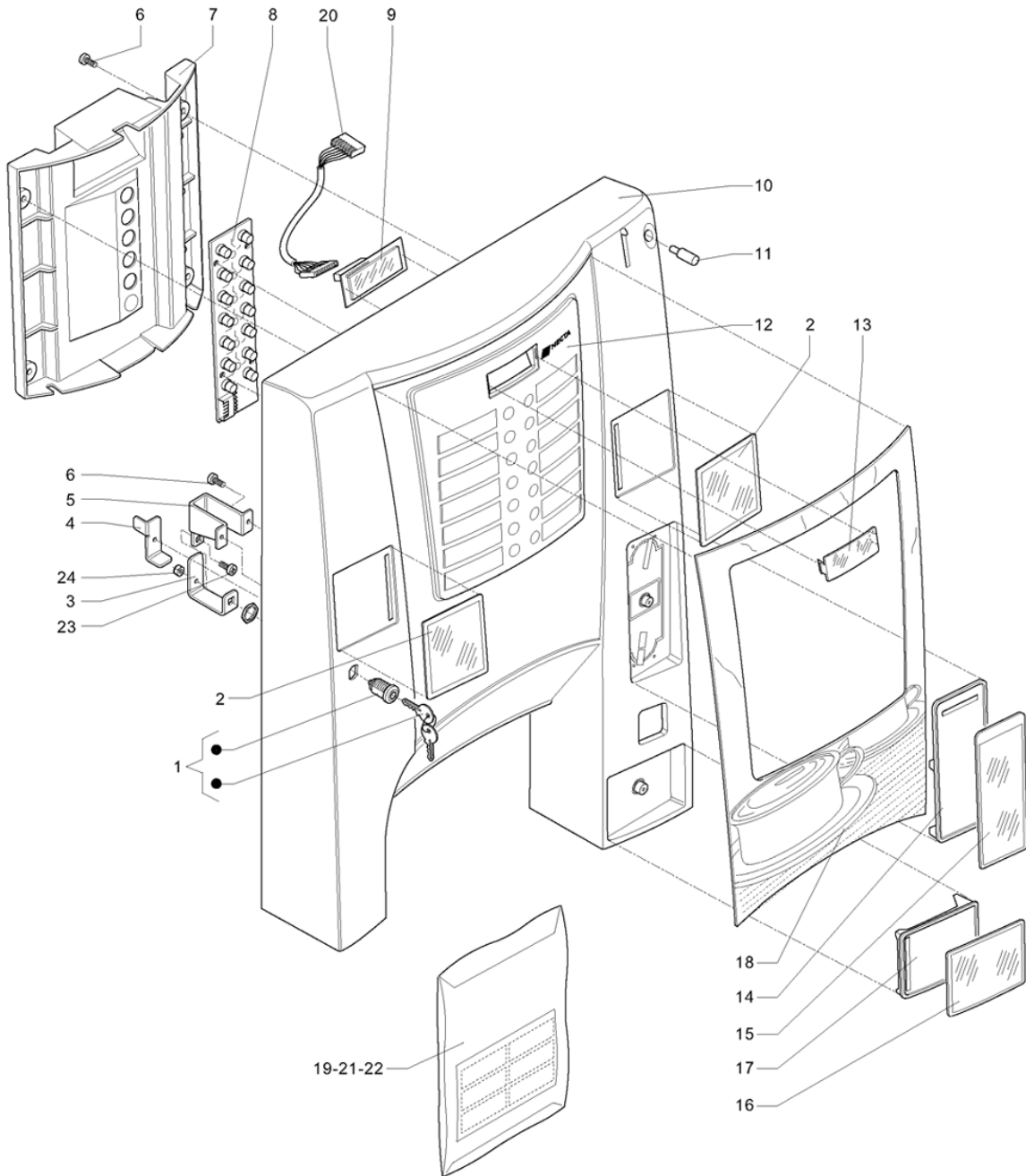
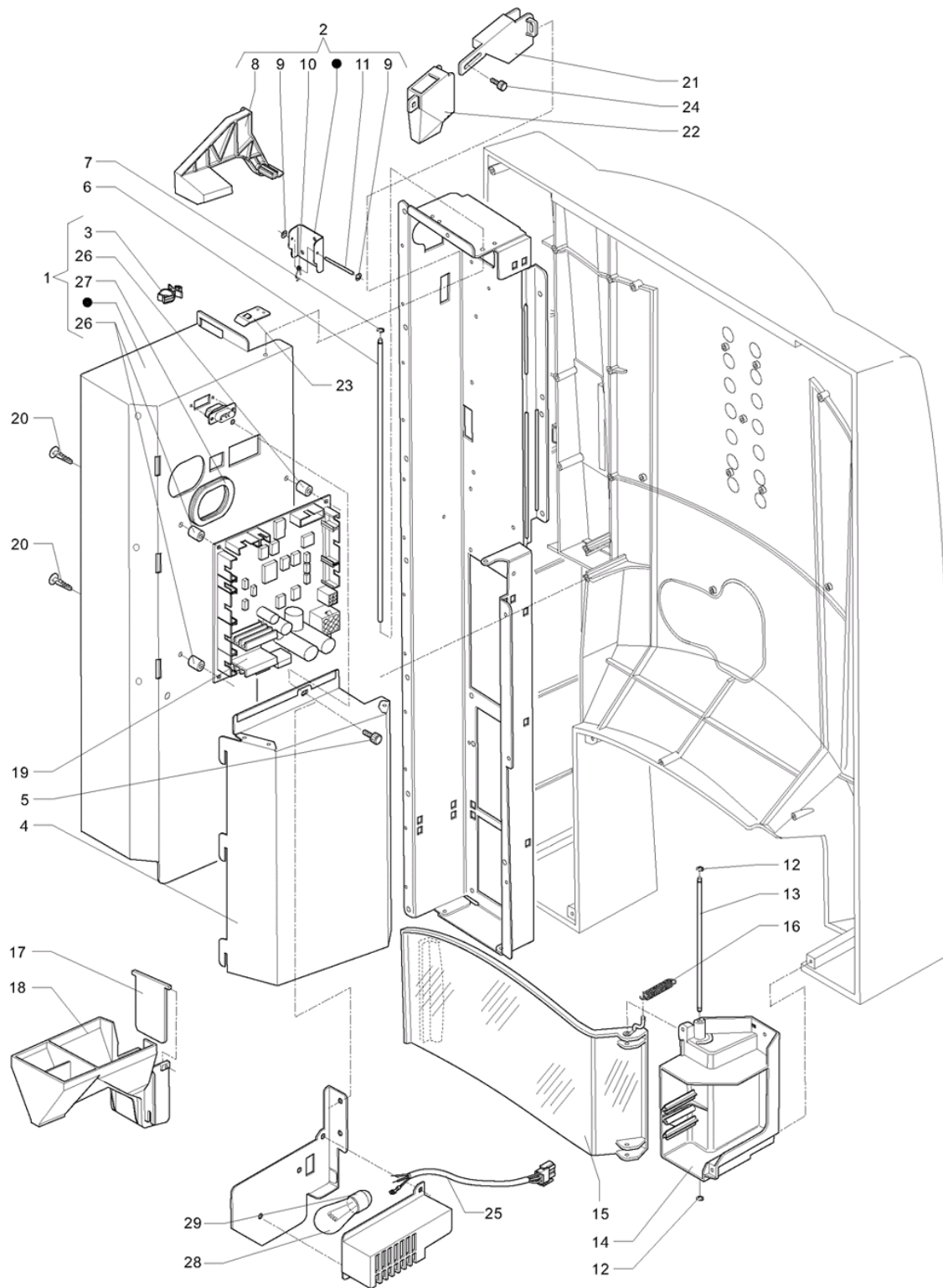


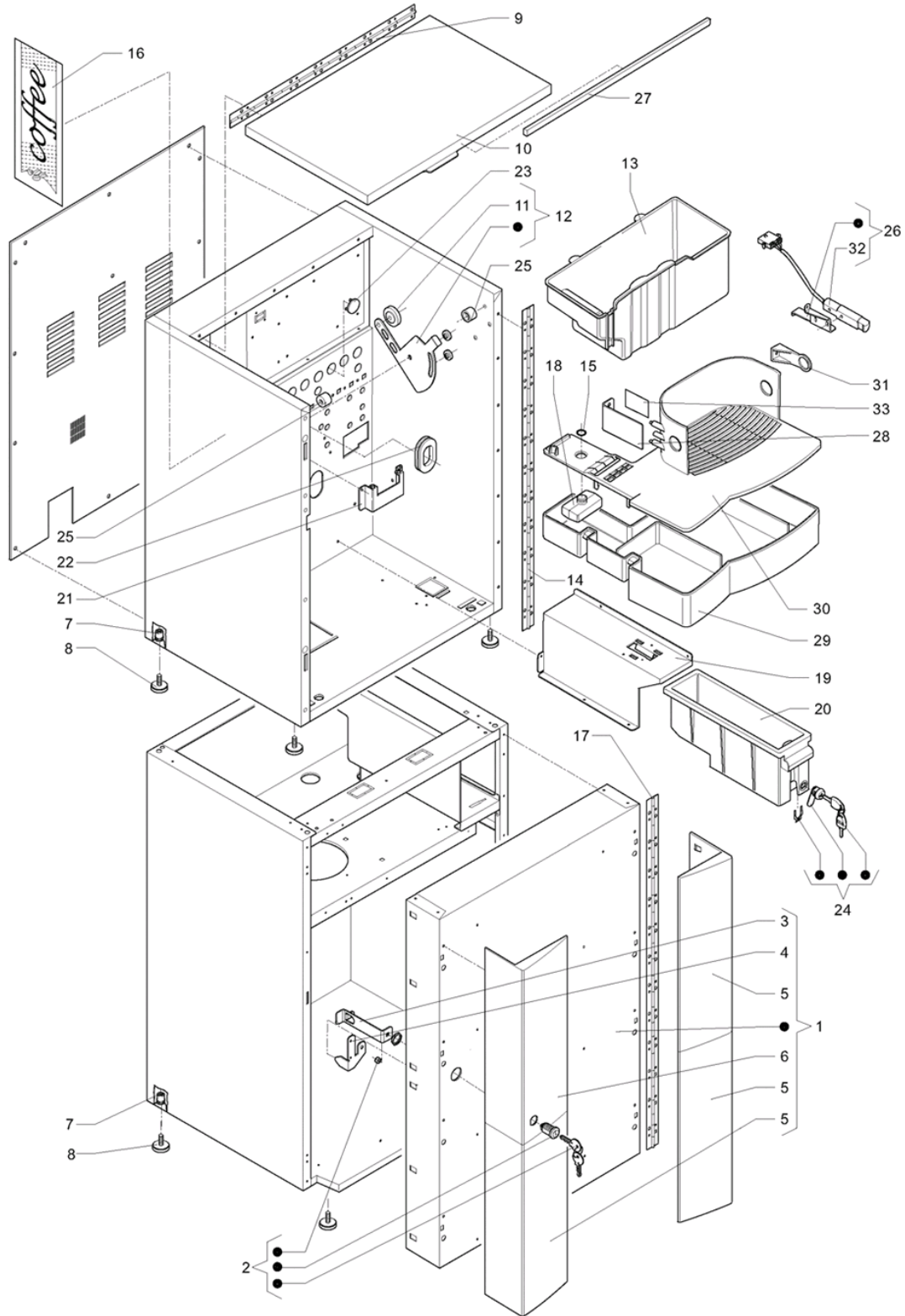
Brio 3 - Espresso - UL



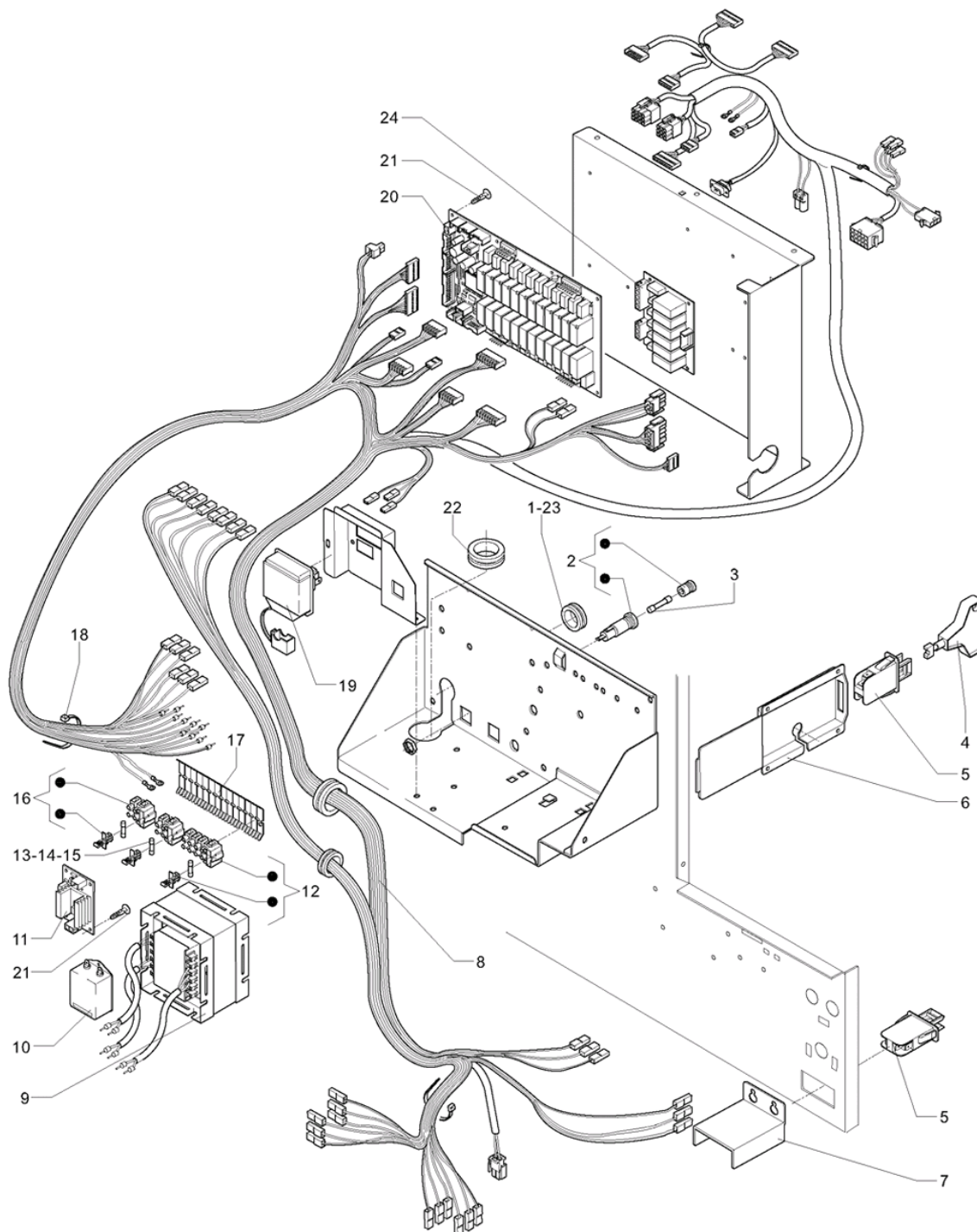
	Code	Description	Notes
1	099905	LOCK RIELDA	
2	252527	UPPER LABEL HOLDER -BLACK-	
3	252206	LATCH	
4	252208	DOOR ELEVATION	
5	252207	LATCH GUIDE	
6	097879	NICKELPLATED SCREW	
7	252220	PUSH-BUTTON BOARD COVER	
8	252257	SELECTION BOARD	
9	251653	DISPLAY 2X16 BLUE	
10	253574	12OZ VERSION DOOR -BLACK-	
11	0V4264	BLACK MONEY RETURN BUTTON	
12	252524	SELECTION PANEL -BLACK-	
13	252245	DISPLAY GLASS	
14	252517	COIN VERIFIER STOPPER -BLACK-	
15	252526	MIDDLE LABEL HOLDER -BLACK-	
16	252525	LOWER LABEL HOLDER -BLACK-	
17	252518	STOPPER -BLACK-	
18	252788	PHOTOGRAPHIC PANEL -USA-	
19	252703	PRODUCT PLATE -USA-	
20	250961	DISPLAY WIRING	
21	250802	INSTRUCTION PLATE '-BRIO 250 USA-	
22	252528	INSTRUCTIONS LABEL -BLACK-	
23	252501	SCREW WITH COLLAR	
24	091703	SELF-BLOCKING NUT M4	



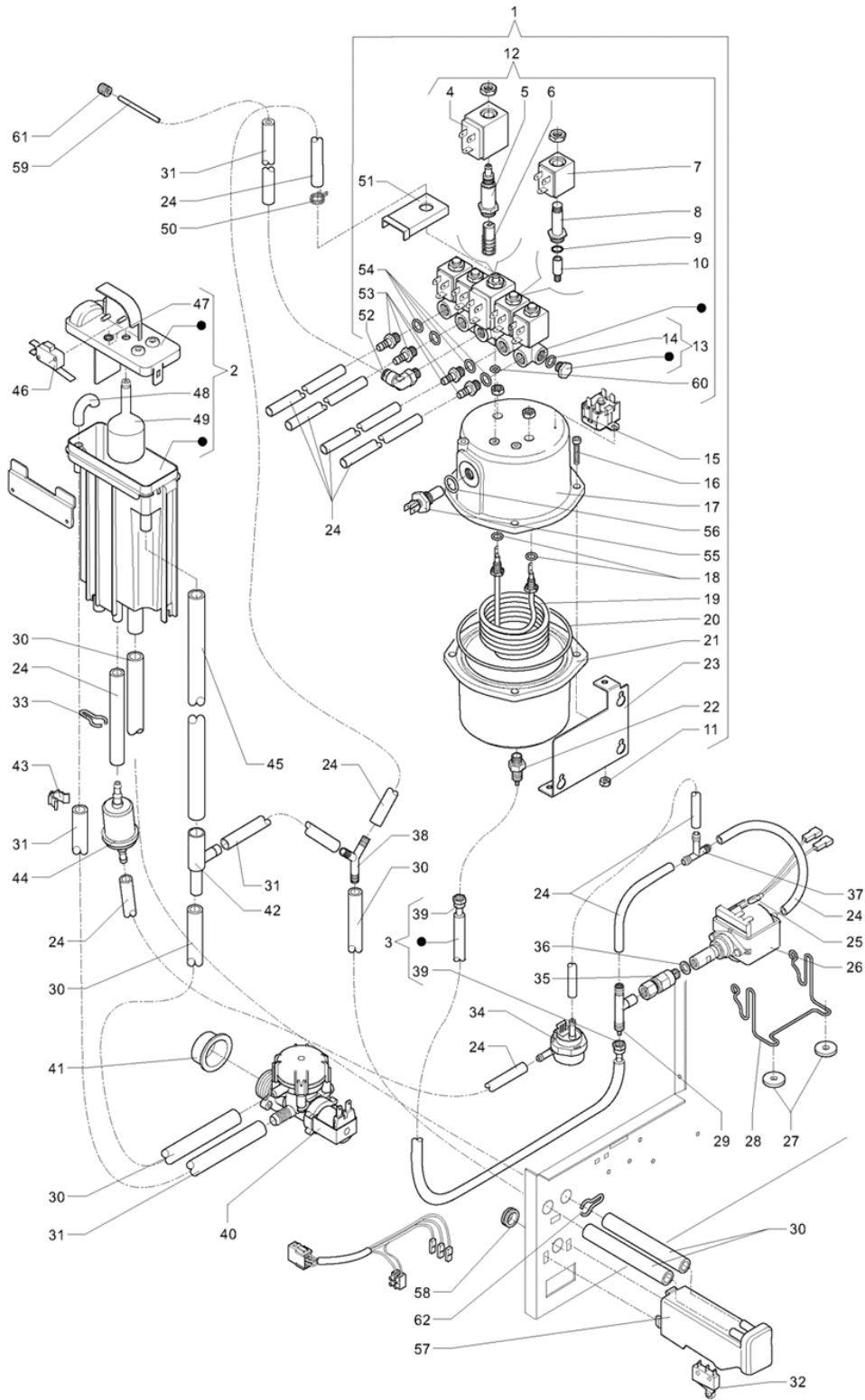
	Code	Description	Notes
1	252272	COIN MECHANISM COMPARTMENT	
2	252260	COIN RETURN ASSY.	
3	098459	WIRE-CLIP	
4	252210	BOARD-PROTECTION	
5	096977	KNURL	
6	252216	COIN-MECHANISM OPENING PIN	
7	098818	STOPPING RING D.4	
8	252235	COIN RETURN LEVER	
9	093754	BENZING COLLAR QUICKBLOCK BQ DIAM MM	
10	252212	SPRING FOR CHANGE	
11	252213	CHANGE GIVING PIN	
12	091737	CIRCLIP DIN 6799	
13	252217	SLIDER PIN	
14	252521	SUPPORT FOR SLIDER-BLACK-	
15	252241	DISPENSING COMPARTMENT DOOR	
16	093978	SPRING FOR ACTUATOR	
17	099359	SHUTTER FOR CHANGE	
18	252522	CHUTE FOR CHANGE -BLACK-	
19	252436	16 BIT CPU BOARD 4MB	
20	097175	CARD SPACER	
21	252238	FIXED COIN INTRODUCTION CHUTE	
22	252239	MOVABLE COIN INTRODUCTION CHUTE	
23	252211	BLOCK FOR COIN MECHANISM COMPARTMENT	
24	093828	KNURL	
25	252543	COMPARTMENT LAMP WIRING	
26	0V1431	SPACER	
27	093916	WHIPPING OVAL	
28	251018	LAMP - UL -	
29	250991	LAMP-HOLDER - UL -	



	Code	Description	Notes
1	252697	DOOR -BLACK-	
2	099905	LOCK RIELDA	
3	252182	LATCH	
4	252183	LATCH GUIDE	
5	252694	CABINET COVER - BLACK -	
6	252695	CABINET COVER WITH HOLE-BLACK-	
7	097861	THREADED CONNECTOR	
8	096244	LITTLE FEET	
9	0V0710	MACHINE TOP HINGE (BLACK)	
10	252516	MACHINE TOP -BLACK-	
11	0V0102	ROLLER	
12	252194	TOP LEVER	
13	252223	EXPRESS COFFEE GROUNDS TRAY	
14	252531	DOOR HINGE -BLACK-	
15	095623	GASKET O-RING 119 EP851	
16	252789	SIDE ADHESIVE LABEL-USA-	
17	252696	INOX HINGE CABINET-BLACK-	
18	252233	FLOAT	
19	252192	COIN-BOX SUPPORT	
20	0V3437	COIN BOX	
21	0V2802	GRINDER SUPPORT	
22	098600	CHOCK	
23	0V4199	PLUG	
24	252189	LOCK 'MERONI'	
25	094657	SPACER	
26	252354	PHOTOCELL WITH SUPPORT	
27	0V1429	ADHESIVE SEAL (A METER)	
28	252332	CATADIOPTRIC SUPPORT	
29	252519	LIQUIDS TRAY -BLACK-	
30	252541	DISPENSING OPENING WITH HOLE-BLACK	
31	252339	PHOTOCELL GLASS COVER	
32	0V2149	PHOTOCELL	
33	0V0906	CATADIOPTRIC PLATE	

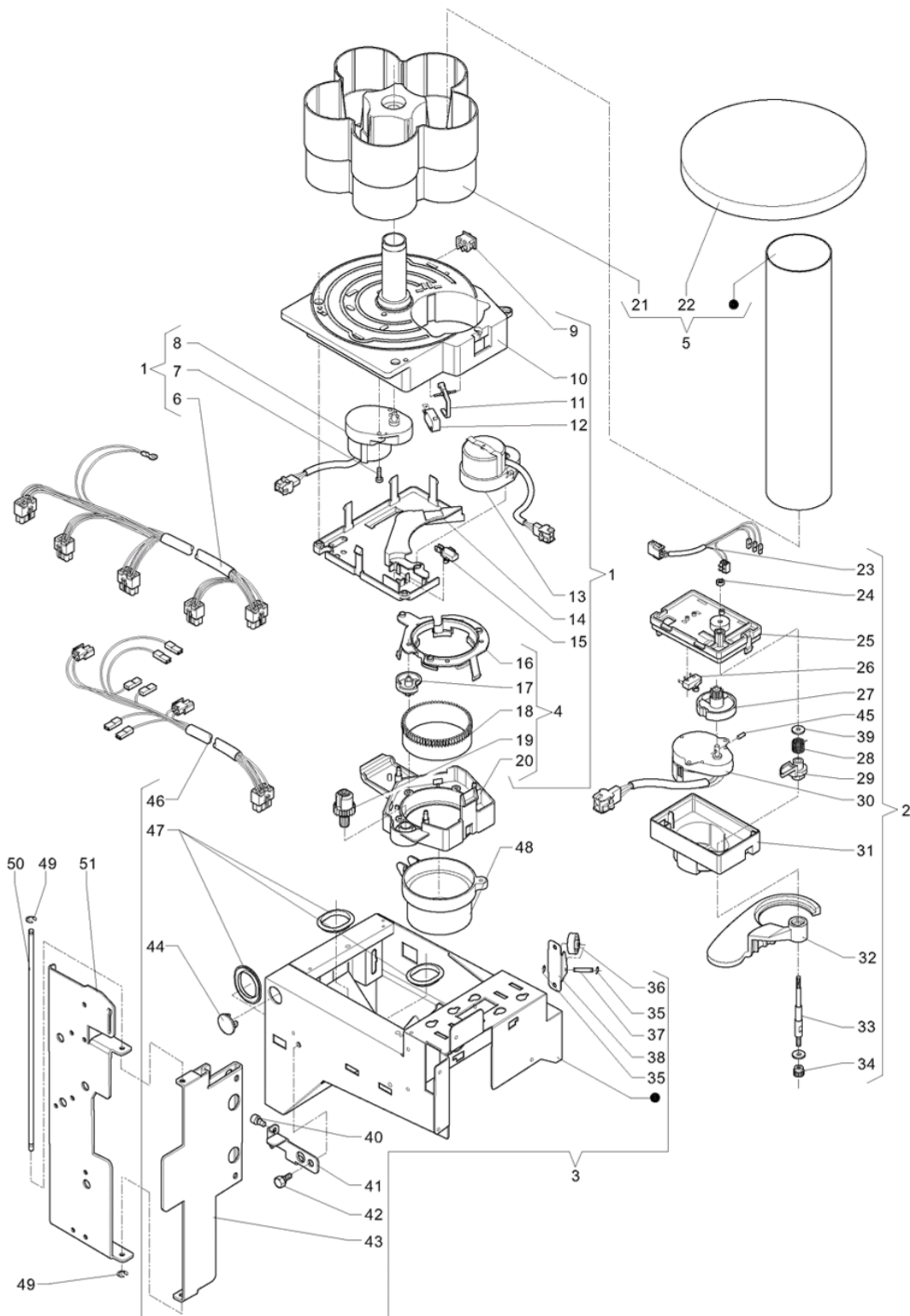


	Code	Description	Notes
1	093312	WHIPPING DIAM MM 12 ART 46	
2	251863	FUSE HOLDER	
3	0V0795	6.3X32 T15A FUSE	
4	0V1654	SWITCH KEY	
5	097796	SWITCH	
6	252193	MICROSWITCH PROTECTION	
7	250797	MICROSWITCH PROTECTION	
8	252705	ES GENERAL WIRING -USA-	
9	250224	TRASFORMER TYPE G49/25-25	
10	0V0796	ELECTRICAL NET FILTER	
11	0V2143	BOILER CONTROL BOARD	
12	098793	TERMINAL BOARD WITH FUSE-HOLDER	
13	250225	FUSE T 1.6 AMP 5X20	
14	097259	FUSE 5X20 4A DELAYED ACTION	
15	096923	FUSE 5X20 1 AMP DELAYED ACTION	
16	097241	3-POLE TERMINAL BOARD W/CARRIER	
17	097242	SUB-TERMINAL BOARD	
18	090148	CLIP	
19	098796	TERMINAL BOARD	
20	252437	16 BIT CONTROL BOARD 4MB	
21	252237	SPACER	
22	098600	CHOCK	
23	090020	WHIPPING MM 16	
24	0V3202	OUT/R CARD. 6 RELAYS	



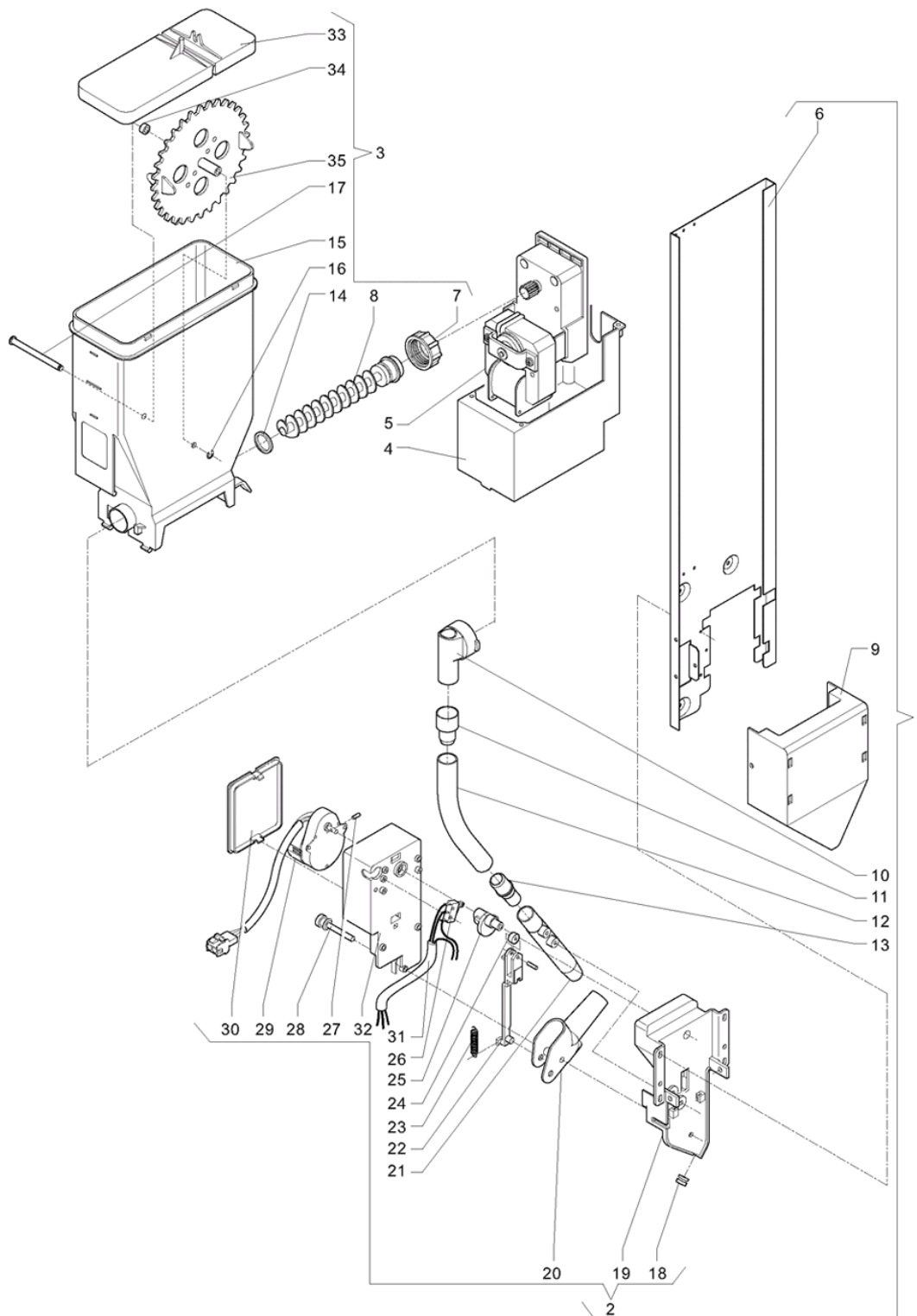
	Code	Description	Notes
1	252748	BOILER ASSEMBLY 600CC-120V 60HZ-	
2	0V1133	AIR-BREAK ASSEMBLY	
3	252262	PUMP/BOILER PIPE	
4	0V3351	COFFEE COIL 110 V-60HZ	
5	099105	COFFEE-ELECTROV. CONNECTION PIPE	
6	097472	3-WAY ELECTROVALVE NUCLEUS -VITON-	
7	0V1856	INSTANTS COIL 110 VOLT	
8	0V1953	INSTANT-ELECTROV. CONNECTION PIPE	
9	099059	VALVE-BUSH-GASKET	
10	099058	NUCLEUS INSTANT-E.V.	
11	985318	NUT	
12	252744	110V-60HZ. 5-ELECTROVALVE UNIT	
13	0V1600	CAP WITH O-RING	
14	096553	GASKET O-RING 2037	
15	0V1385	SINGLE-POLE THERMOSTAT 125 G. 120V	
16	096194	SCREW M6X25	
17	0V0767	UPPER COVER	
18	252684	O-RING	
19	0V0685	1100W-120V RESISTANCE	
20	0V0758	O-RING 4350	
21	0V0768	LOWER COVER	
22	0V0772	STRAIGHT CONNECTION 6/3	
23	252651	BOILER SUPPORT	
24	097510	SILICONE HOSE 5X9 BROWN	
25	098815	90 DEGREES THERMIC PROTECTION	
26	0V0466	PUMP 110V	
27	093091	PUMP DAMPER	
28	0V0191	POMPE SUPPORT	
29	0V0907	9 BAR BY-PASS	
30	097512	SILICONE HOSE 6X12 BROWN	
31	097685	SILICONE HOSE BROWN 7.5X12	
32	0V1930	MICROSWITCH 'UL'	
33	093957	TUBE CLAMP	
34	098707	VOLUMETRIC COUNTER	
35	0V0797	NON-RETURN VALVE	
36	251143	ALUMINIUM WASHER	
37	094231	UNION T-SHAPE	
38	095513	UNION Y-SHAPE	
39	099107	NUT	
40	0V0469	ELECTROVALVE 2.5 L/M 110V	
41	099815	STOPPER	
42	094185	CODENSE RECOVERY UNION	
43	098484	HOSE FIXING	
44	097435	WATER FILTER VOLUMETRIC COUNTER	
45	097515	SILICONE HOSE 10X16 BROWN	
46	0V1141	MICROSWITCH	

	Code	Description	Notes
47	090421	GASKET OR 2025	
48	0V1749	WATER/AIR-BREAK CONNECTION	
49	0V1126	AIR-BREAK FLOAT	
50	094329	HOSE CLIP	
51	251248	ELECTRIC VALVE COVERING	
52	0V2509	UNION L-SHAPE 5X1/8	
53	250874	NICKLE-PLATED 1/8' UNION	
54	0V0780	O-RING 2031	
55	094872	BOILER TEMPERATURE PROBE	
56	0V0779	O-RING 116	
57	0V1350	MICROSWITCH SUPPORT	
58	090021	WHIPPING DIAM 10.5 MM	
59	252128	PISTON TUBE	
60	252538	O-RING 2025	
61	098699	UNION FOR PISTON PIPE	
62	092703	TUBE CLAMP	

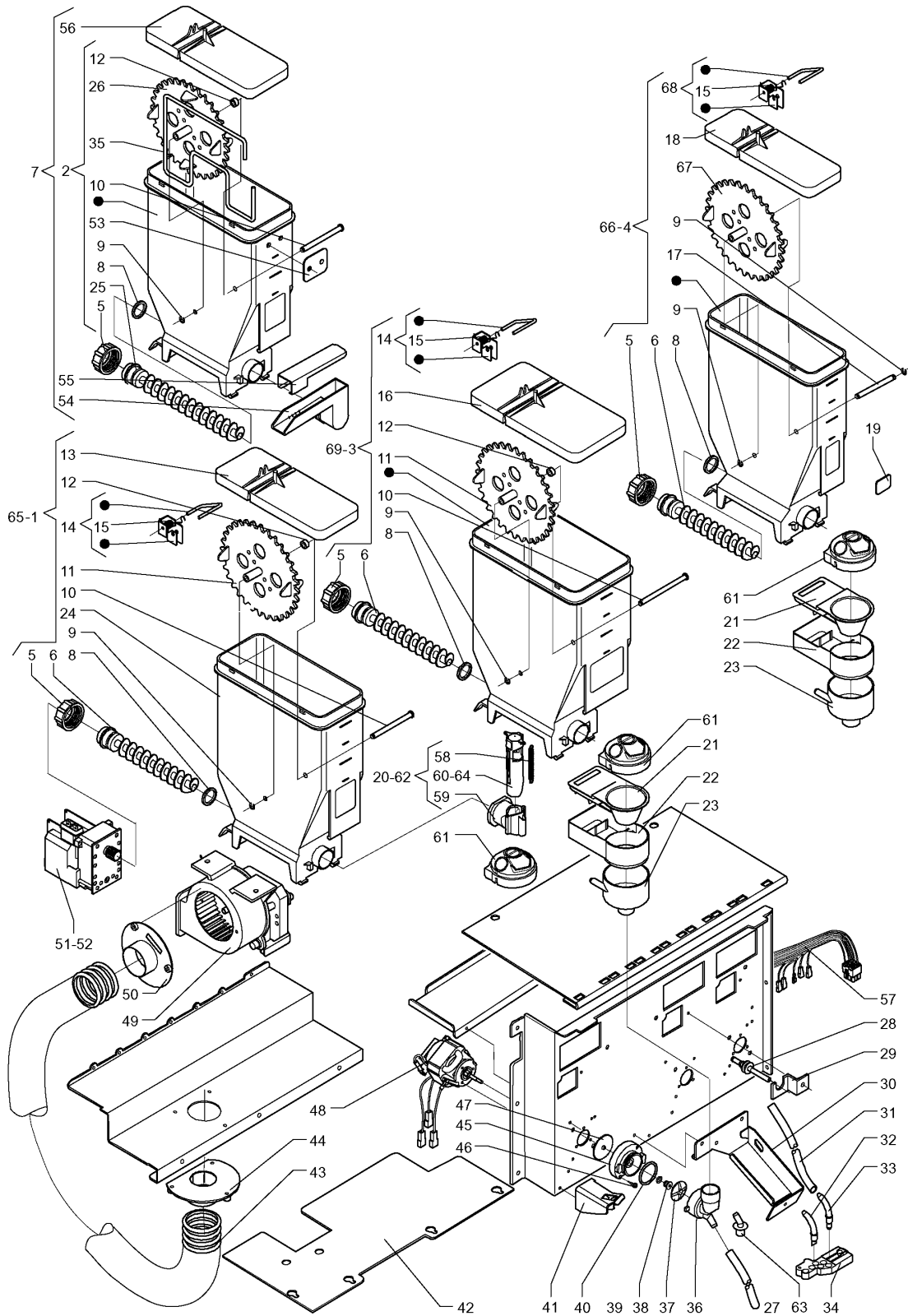


	Code	Description	Notes
1	252751	120V 60HZ- 73/74 CUP DISPENSER	
2	252747	CUP TRANSLATOR 73/74-USA-	
3	252752	ASSY. CUP STATION BRACKET-USA-	
4	0V4190	CUP RELEASING 73/74	
5	252268	CUPS-CONTAINER	
6	252741	CUP DISPENSER WIRING-USA-	
7	987628	EJOT-PT-SCREW 30X8	
8	250229	1 RP/1.5M 120V REDUCTION GEARMOTOR	
9	097807	BUTTON	
10	0V3693	CUP BASE	
11	0V2548	LEVER FOR MICROSWITCH	
12	092439	MICRO TYPE 'CHERRY'	
13	0V3031	120V 3 RPM REDUCTION GEARMOTOR	
14	0V3694	MOTOR GEARMOTOR SUPPORT	
15	0V1931	MICROSWITCH 'UL'	
16	0V3696	SNAIL RING	
17	0V1659	SNAIL W/DIAM. 73-74	
18	098477	TOOTHED RING	
19	0V3697	MICRO GEAR	
20	0V3695	SNAIL SUPPORT	
21	0V4107	CONTAINER BASE	
22	0V3658	CUP CONTAINER COVER	
23	252738	CUP TRANSLATOR WIRING-USA-	
24	986614	NUT FLANGED	
25	252230	TRANSLATOR BASE	
26	096355	MICRO SWITCH -UL -	
27	252228	CAM	
28	0V2543	LEVER SPRING	
29	0V2544	ARM	
30	252743	115V-60HZ TRANSLATOR MOTOR	
31	252229	MOTOR COVER	
32	252191	OSCILLATING ARM 73-74	
33	252218	OSCILLATING ARM PIN	
34	252656	KNURL M5	
35	091737	CIRCLIP DIN 6799	
36	252234	WHEEL	
37	252214	PIN	
38	252205	WHEEL SUPPORT	
39	096863	PIVOT WASHER	
40	092738	WEDGE BUMPER	
41	252204	BRACKET LOCK-OUT LEVER	
42	090615	COLLAR SCREW	
43	252196	DOUBLE HINGE SUPPORT	
44	0V1636	PLUG D.25	
45	096904	ELASTIC PLUG 1.5X8	
46	252739	CUP STATION BRACKET WIRING-USA	

	Code	Description	Notes
47	093916	WHIPPING OVAL	
48	252236	CUPS COLLAR	
49	091959	BENZING COLLAR DIAM MM4	
50	252215	BRACKET PIN	
51	252199	BRACKET HINGE SUPPORT	

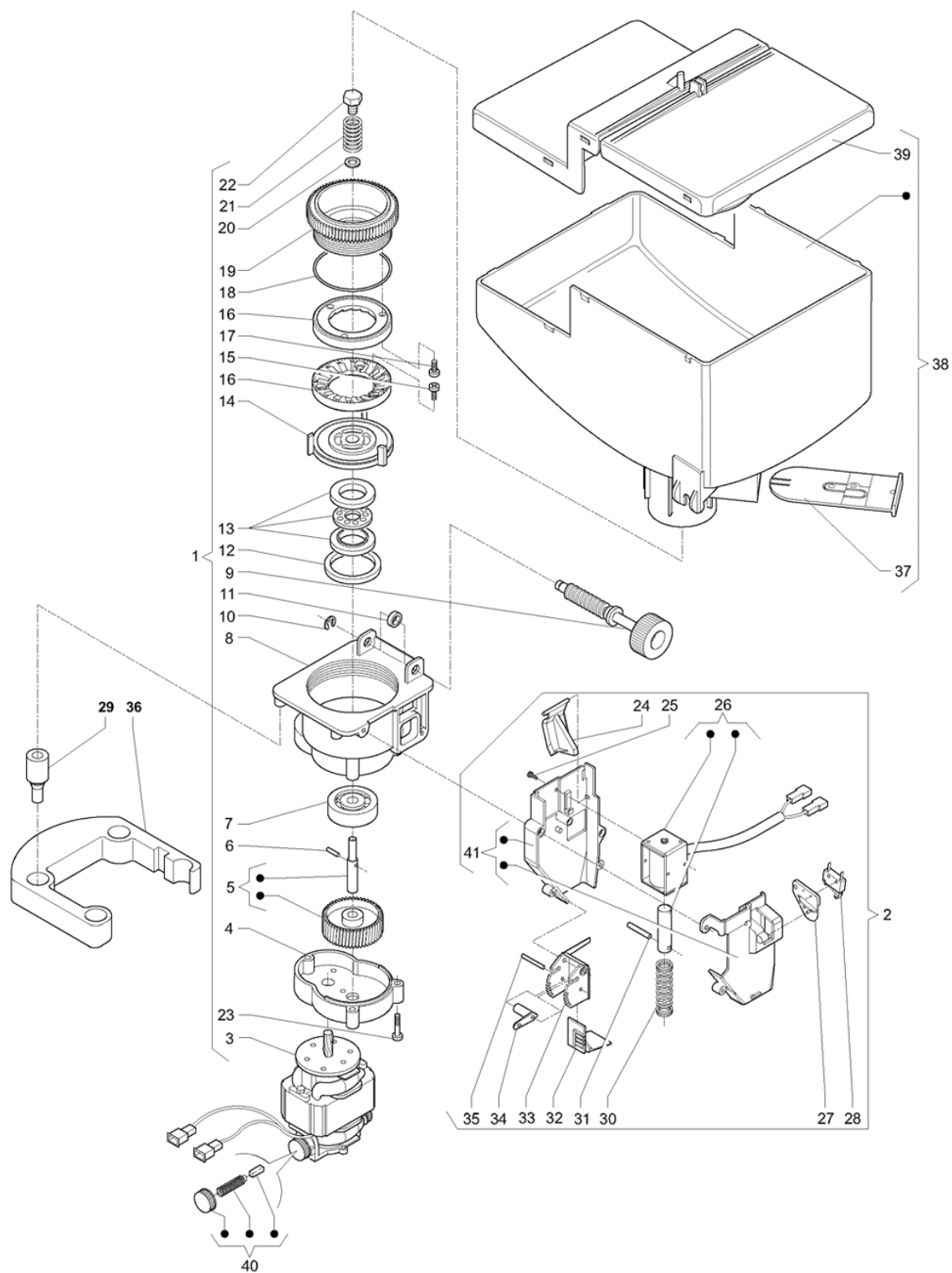


	Code	Description	Notes
1	252750	COMPLETE SUGAR DISPENSER-120V 60HZ-	
2	252749	SUGAR DISPENSER-120V 60HZ-	
3	0V2432	POWDERS CANISTER NORMAL SCROLL	
4	251643	CONTAINER SHELF	
5	250230	48 RPM 120V REDUCTION GEARMOTOR	
6	252197	90-115 STIRRER COLUMN	
7	095849	CONTAINER RING NUT	
8	098609	SCROLL	
9	0V3022	105 MM STIRRER CHUTE	
10	098939	ROUND STRAIGHT PIPETTE	
11	0V3657	PIPE COUPLING	
12	098719	PVC PIPE 14X19(A METER)	
13	099375	HOSE COUPLING	
14	095829	GASKET O-RING	
15	0V2277	CONTAINER CASING	
16	091959	BENZING COLLAR DIAM MM4	
17	0V1962	PIN FOR WHEEL	
18	098853	PASS-WIRE	
19	099607	BODY	
20	099721	SUGAR NOZZLE	
21	098356	SUGAR PIPE	
22	099605	ROD	
23	099616	SPRING	
24	099604	ROLLER	
25	099606	CAM	
26	096355	MICRO SWITCH -UL -	
27	096904	ELASTIC PLUG 1.5X8	
28	0V2949	SUGAR SPOUT PIN	
29	0V0463	MOTOREDUCER 110V	
30	099609	COVER	
31	252737	STIRRER DISPENSER WIRING-USA-	
32	099608	SUPPORT	
33	0V2410	LID FOR CONTAINER	
34	098812	SPACER	
35	095936	WHEEL	

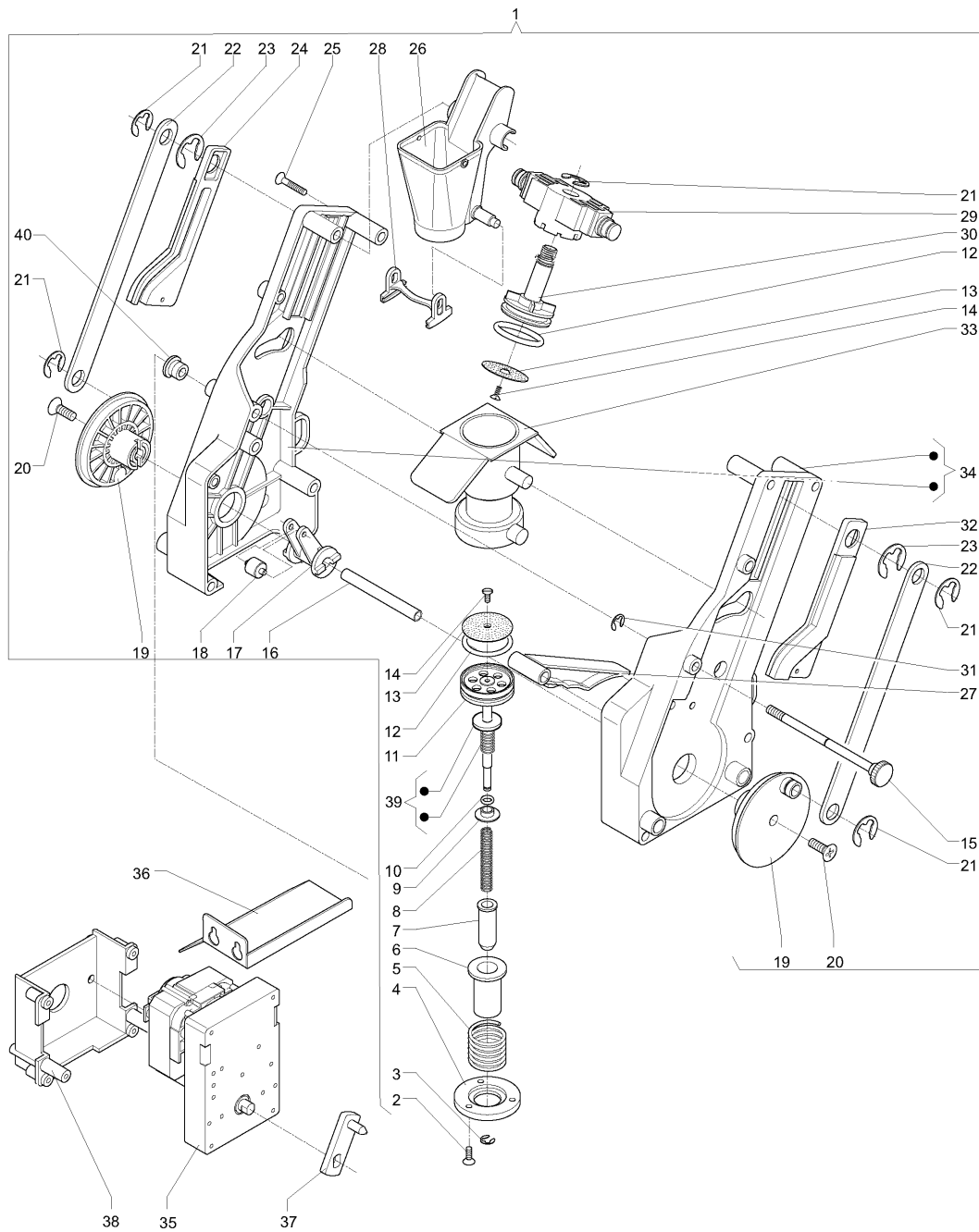


	Code	Description	Notes
1	099857	CONTAINER COMPLET WITH BEATER	
2	251012	CANISTER	
3	252264	3 LITRE CANISTER COMPLETE	
4	252265	2 LITRE CANISTER COMPLETE	
5	095849	CONTAINER RING NUT	
6	098609	SCROLL	
7	252745	DECAFF.120OZ CONTAINER -COMPL.	
8	095829	GASKET O-RING	
9	091959	BENZING COLLAR DIAM MM4	
10	0V1962	PIN FOR WHEEL	
11	095936	WHEEL	
12	098812	SPACER	
13	099466	LID FOR CONTAINER	
14	099494	CANISTER-BEATER	
15	099442	SPRING	
16	252275	3 LITRE CANISTER COVER	
17	253369	WHEEL PIN	
18	252276	2 LITRE CANISTER COVER	
19	097502	NAMEPLATE GROUP CONTAINER INSTANT P	
20	252687	STRAIGHT PIPETTE ASSY.	
21	0V1534	DRAWER COVER	
22	0V1537	SUCTION DRAWER	
23	0V1535	WATER FUNNEL	
24	0V2277	CONTAINER CASING	
25	250268	SCROLL	
26	250269	TOOTHED WHEEL	
27	097511	SILICONE HOSE 6X9 BROWN	
28	099329	FUNNEL NOZZLE D. 3.4	
29	0V1885	NOZZLE SUPPORT	
30	252195	SPOUT SUPPORT	
31	097510	SILICONE HOSE 5X9 BROWN	
32	097953	POINTED NOZZLE	
33	097922	NOZZLE	
34	098067	SUPPORT FOR INSTANT NOZZLES	
35	250270	BEATER	
36	097912	CONVEYOR FOR MIXER	
37	097916	MIXER VENTILATOR	
38	097917	BUSH SEAL	
39	0V0775	O-RING 106	
40	0V0776	O-RING 3125	
41	253305	BRACKET CLOSING SUPPORT	
42	252201	MIXER PROTECTION	
43	096459	HOSE DIAM 32	
44	252243	VENTILATOR PIPE CONNECTION CUT	
45	097911	FLANGE FOR MIXER	
46	099773	SCREW	

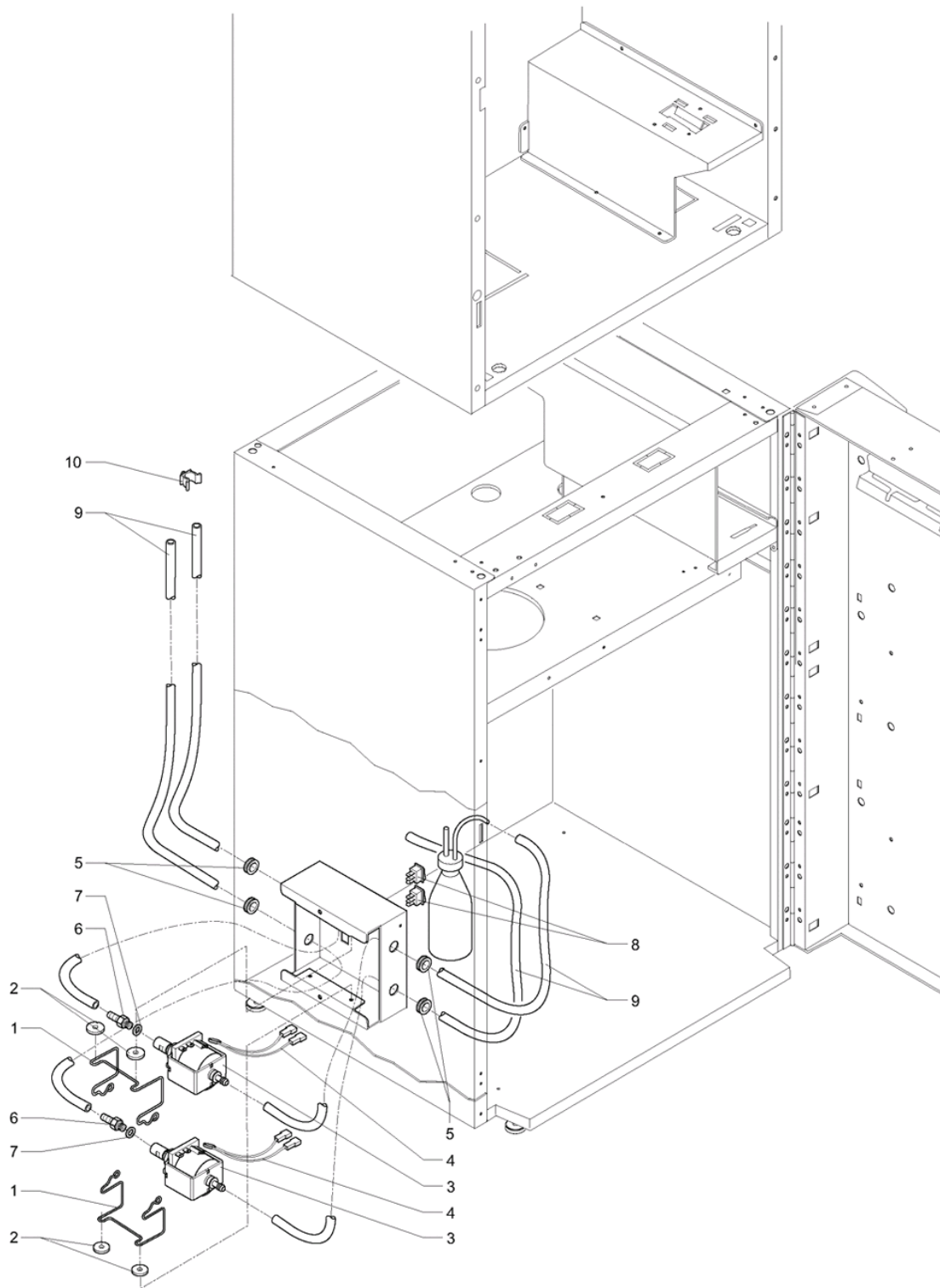
	Code	Description	Notes
47	099889	DISK	
48	0V0450	MOTORMIXER 110V	
49	0V0464	ELECTROVENTILATOR 110V	
50	098703	VENTILATOR PIPE CONNECTION D38	
51	252742	45RPM 120V-60HZ REDUCTION GEARMOTOR	
52	250227	64 RPM 120V REDUCTION GEARMOTOR	
53	250267	STOP BEATER	
54	252549	LEFT CONVEYOR	
55	252550	CONVEYOR COVER	
56	252548	CONTAINER COVER	
57	252740	MIXER BRACKET WIRING-USA-	
58	252540	SPRING	
59	252366	CONTAINER OPENING	
60	252367	BENT PIPETTE	
61	252369	MIXER COVER	
62	252546	COMPLETE BENT OPENING	
63	097913	ELBOW FOR MIXER	
64	252368	STRAIGHT PIPETTE	
65	099334	POWDERS CANISTER	
66	252773	2 LITRE CANISTER+BEATER	
67	252774	2L CANISTER TOOTHED WHEEL	
68	252772	2 LITRE CANISTER BEATER	
69	252352	3 LITRE CANISTER+BEATER	



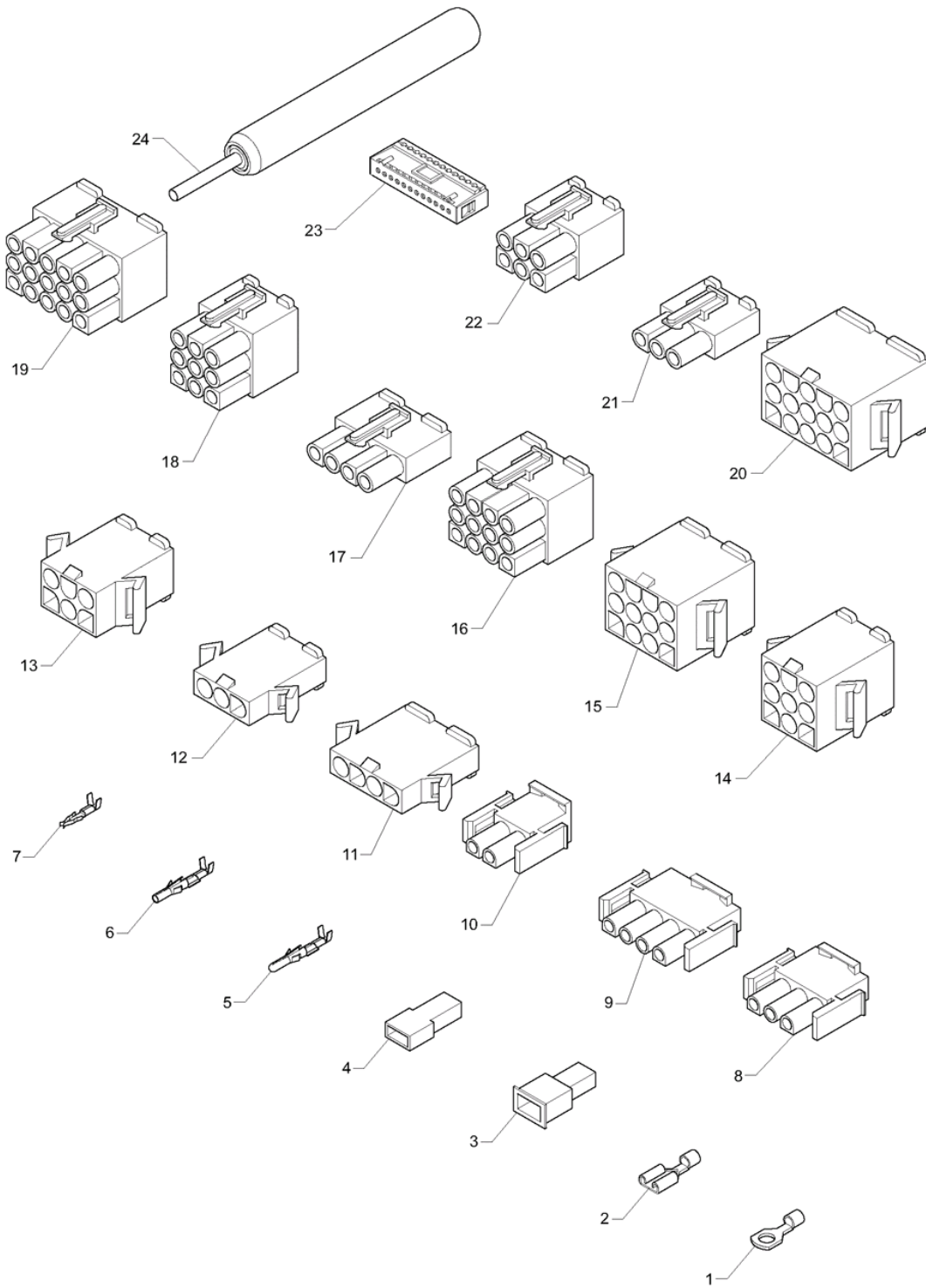
	Code	Description	Notes
1	0V0443	GRINDER 110V	
2	0V2700	COFFEE DOSER 110V-60HZ	
3	0V0452	GRINDER MOTOR 110V	
4	099468	SUPPORT	
5	099470	SHAFT WHEEL	
6	098293	ELASTIC PLUG	
7	095803	RADIAL BEARING	
8	099469	CAP	
9	099474	REGULATION SCREW	
10	093171	OUTER FIXING COLLAR DIAM MM6	
11	099457	WASHER	
12	093271	COFFEE JUNK RING	
13	093187	THRUST BEARING	
14	095802	GRINDER HOLDER IMPELLER	
15	095809	SELF-THREADING SCREW (M4)	
16	095840	GRINDER	
17	097879	NICKELPLATED SCREW	
18	095805	GASKET O-RING	
19	099473	GRINDER HOLDER	
20	096988	WASHER	
21	099471	SPRING	
22	099472	LEFT SCREW	
23	250290	SCREW 4.2X26	
24	099475	ACTUATOR	
25	092657	CLOSS SLOT SCREW 3X6TC	
26	0V0468	ELECTROMAGNET 110V	
27	0V2082	ADAPTER PLATE	
28	0V2131	BURGESS MICRO-SWITCH	
29	099484	LITTLE RUBBER	
30	098696	SPRING DOSER ELECTROMAGNET	
31	093832	ROD PIVOT	
32	098643	RULE COFFEE-DOSES	
33	098642	SHUTTER COFFEE-DOSER	
34	098644	LEVER FOR RULE	
35	098822	PIN FOR LEVER	
36	0V2628	INSULATOR	
37	098630	ROLL-UP FOR CONTAINER	
38	252266	COFFEE CANISTER	
39	252219	COFFEE CONTAINER LID	
40	0V3229	MOTORBRUSH KIT	
41	251128	COFFEE DOSER-BODY	



	Code	Description	Notes
1	252746	Z3000L COFFEE ASSEMBLY -USA-	
2	097879	NICKELPLATED SCREW	
3	098818	STOPPING RING D.4	
4	098569	FLANGE FOR SPRING	
5	098689	PREINFUSION SPRING	
6	098567	LID FOR SPRING	
7	098691	LOWER PISTON GUIDE	
8	098688	PISTON RETURN SPRING	
9	251756	RETAINER BUSHING	
10	0V0782	O-RING 2025	
11	251759	LOWER PISTON	
12	251757	SILICONE OR SEAL GASKET	
13	251755	DIAM. 42 COFFEE FILTER	
14	094508	SCREW TS M4X10	
15	252020	TIEROD WITH KNURLED NUT	
16	098693	ROD CRANK BLOCKING	
17	098574	ROTATING LEVER	
18	098692	ROTATING LEVER ROLL	
19	252491	COFFEE GROUP CRANK	
20	0V3889	SCREW 6X14	
21	092717	FIXING COLLAR DIAM MM10	
22	098565	TRACE FOR PISTON COMMAND	
23	096569	FIXING COLLAR DIAM 12	
24	098571	REAR SLEDGE	
25	250290	SCREW 4.2X26	
26	252547	DECAF. SLIDE -USA-	
27	098575	OSCILLATING LEVER	
28	251761	COFFEE SCRAPER	
29	098568	CROSS-BAR	
30	251758	UPPER PISTON	
31	091287	OUTER FIXING COLLAR	
32	098572	FRONT SLEDGE	
33	251760	OVERSIZE INFUSION CHAMBER	
34	251101	RH-LH SUPPORT	
35	0V0458	MOTOREDUCER 110V	
36	252202	COFFEE MOTOR PROTECTION	
37	098763	CRANK WITH PIN	
38	098566	MOTOREDUCER SUPPORT	
39	253502	PISTON VALVE + SPRING	
40	253655	SPACER BUSH	



	Code	Description	Notes
1	0V2510	POMPE SUPPORT	
2	093091	PUMP DAMPER	
3	251275	PUMP 120V - 60 HZ	
4	098815	90 DEGREES THERMIC PROTECTION	
5	090021	WHIPPING DIAM 10.5 MM	
6	250874	NICKLE-PLATED 1/8' UNION	
7	094594	GASKET O-RING 2031	
8	097807	BUTTON	
9	097510	SILICONE HOSE 5X9 BROWN	
10	098484	HOSE FIXING	



	Code	Description	Notes
1	090957	EYELET TERMINAL	
2	090959	FASTON W/O TONGUE	
3	091192	FASTON COVER	
4	090247	FEMALE FASTON COVER	
5	095955	TERMINAL MALE	
6	096136	TERMINAL FEMALE	
7	094405	TERMINAL FEMALE 2.5	
8	094954	FEMALE HOLDER CONNECTOR 3-WAYS	
9	098062	4-WAY CONNECTOR MATE-N-LOK AMP	
10	094955	FEMALE HOLDER CONNECTOR 2-WAYS	
11	0V0809	4-PIN CONNECTOR/P MOLEX 3191	
12	0V0808	3-PIN CONNECTOR/P MOLEX 3191	
13	0V0810	6-PIN CONNECTOR/P MOLEX 3191	
14	0V0811	9-PIN CONNECTOR/P MOLEX 3191	
15	0V0812	12-PIN CONNECTOR/P MOLEX 3191	
16	0V0818	12-PIN CONNECTOR/P MOLEX 3191	
17	0V0815	4-PIN CONNECTOR/P MOLEX 3191	
18	0V0817	9-PIN CONNECTOR/P MOLEX 3191	
19	0V0819	15-PIN CONNECTOR/P MOLEX 3191	
20	0V0813	15-PIN CONNECTOR/P MOLEX 3191	
21	0V0814	3-PIN CONNECTOR/P MOLEX 3191	
22	0V0816	6-PIN CONNECTOR/P MOLEX 3191	
23	094961	FEMALE HOLDER CONNECTOR P.I. 12-W	
24	0V0820	MOLEX CONTACT PULLER	