

# SNACKTRON 1™

## PARTS MANUAL



**CRANE**®

NATIONAL VENDORS  
12955 ENTERPRISE WAY  
BRIDGETON, MO 63044

## WARRANTY

The National Vendors Snacktron 1 Merchandiser is warranted for one (1) year against defective parts and workmanship. Any part or parts which are proved to be defective within one (1) year of the date of shipment will be replaced free of charge when the defective part is returned with transportation charges prepaid to the destination designated by the National Vendors' Parts Department.

This Warranty applies only to the original purchaser of the Merchandiser and is null and void if the Merchandiser is sold during the period of warranty.

This warranty is also null and void for all electrical components, wiring, or circuits, and/or for all mechanical parts or assemblies damaged as a result of operating the Merchandiser at other than 110-120 volts, 60 Hertz current.

No warranty is given or implied on incandescent lamps, neon lamps, fluorescent lamps, ballasts, or starters, and other expendable items.

Further, National Vendors is not responsible for any costs of service rendered, or repairs made, at other than National Vendors; or by anyone other than an authorized factory Service Representative of National Vendors; unless authorization to incur such expense has been given in writing by National Vendors prior to incurring such expense.

This Warranty is in lieu of all other warranties expressed or implied, including, without limitation, warranties of merchantability, and all other obligations or liabilities on National Vendors' part; and National Vendors neither assumes, nor authorizes any person to assume for it, any other obligation or liability in connection with the sale of said Equipment or any part thereof.

NATIONAL VENDORS  
A Division of Crane Co.  
5055 Natural Bridge  
St. Louis, Missouri 63115

This machine has been engineered to our own rigid safety and performance standards. It has earned a "Letter of Compliance" from NAMA indicating that it complies with sanitation and health guidelines recommended by the Automatic Merchandising Health-Industry Council (AMHIC) and it conforms with all other NAMA safety recommendations. In addition, the UL label signifies that its construction and design have been inspected and tested by Underwriter's Laboratories, Inc. and found to comply with their safety standards. UL inspectors also periodically examine production machines at the factory to assure continued compliance. Each electrical

part has been separately investigated by UL and found to be safe as used in this equipment. This machine has also been CSA certified and FCC verified. To retain the safety and performance built into this machine, it is important that installation and maintenance be conducted so as to not alter the construction, or wiring, and that replacement parts are as specified in the Parts Manual. Using the Set-Up Instructions and Parts Manual in your operation and maintenance work will protect your investment in this equipment. By following prescribed procedures, machine performance and safety will be preserved.

Copyright 3-88 by National Vendors  
A Division of Crane Co.  
Printed In U.S.A.

# TABLE OF CONTENTS

SECTION I. THEORY OF OPERATION (unavailable at this printing)

SECTION II. TROUBLESHOOTING (unavailable at this printing)

SECTION III. CIRCUITRY

SECTION IV. ILLUSTRATED PARTS BREAKDOWN

## LIST OF ILLUSTRATIONS

Figure		Page
3-1	Gum and Mint Wiring Diagram	3-1
3-2	Merchandiser Wiring Diagram	3-2
4-A	Flowchart	4-2
4-1	Snacktron 1" Merchandiser	4-3
4-2	Snack Tray Assembly	4-5
4-3	Candy Tray Assembly	4-7
4-4	Gum and Mint Assembly	4-9
4-5	Gum and Mint Motor Assembly	4-12
4-6	Cabinet Assembly	4-14
4-7	Cabinet Sidewall Assembly	4-18
4-8	Electrical Wiring Assembly	4-20
4-9	Channel and Receptacle Block Assembly	4-22
4-10	Controller PCB and Component Assembly	4-24
4-11	Fan Housing Assembly	4-27
4-12	Door Assembly (1 of 3)	4-28
4-12	Door Assembly (2 of 3)	4-29
4-12	Door Assembly (3 of 3)	4-30
4-13	Push Button Grid Assembly	4-37
4-14	Coin Receptacle Assembly	4-38
4-15	Delivery Pan Assembly	4-39
4-16	Upper Door Light Assembly	4-42
4-17	Base Plate Assembly	4-43

## **SNACKTRON 1**

### **SPECIFICATIONS**

**SIZE:** 72" (182.9 cm) high  
38" (96.5 cm) wide  
35-1/2" (90.2 cm) deep

**WEIGHT:** 640 lbs. (288 kg)

**POWER REQUIREMENTS:** 115 Volts 60 Hertz 3 Amps

**SELECTIONS - CAPACITIES:** 5 Selection Snack Tray - 67 items  
10 Selection Candy Tray - 220 items

The number of items is based on the suggested arrangement of the Snack and Candy spirals.

**OPTIONAL EQUIPMENT:** 5 Selection Vertical Gum and Mint

Base Plate Assembly - NU-GRAY; AWARD  
Data Retrieval  
Keylock Switch Assembly  
Van Lock  
Flex Ace Lock  
Exhaust Fan

**OPTIONAL COIN UNITS:** MARS ELECTRONIC" Model MC5000 drop shipped  
COIN ACCEPTORS Model C300-9404-977 drop shipped

**N A T I O N A L   V E N D O R S**



**T E C H N I T R O N**  
**E L E C T R O N I C S**

**S N A C K T R O N   1 & 2**

# TECHNITRON SYSTEMS

## The Matrix

Most microcomputer systems use a concept known as the Matrix to control (or be controlled by) various peripheral devices. Keypads, displays, and even the tray system in the Snacktron are all examples of matrixed devices.

Basically, a matrix can be pictured as a grid with vertical and horizontal lines that intersect in a symmetrical pattern. The points where the lines cross represent an input (switches) or an output (motor, digit in a display, etc.) to the microcomputer. The advantage to using a matrix system is the ability for the microcomputer to use a large number of devices with a relatively small number of control lines. For instance, the Snacktron can operate as many as 65 different motors with only 18 control lines.

A matrix can be thought of as a chart or table. A number of rows and columns are used. To find what we want, we select one row and one column. Where these two lines meet we find the desired result. In the example below, a 4 x 4 matrix is used (four rows by four columns). If we select Column 3 and Row 2 and follow them until they intersect, the result is "BROWN". Notice that we have 16 colors but only 8 lines (4 rows and 4 columns).

By using this same principle, the microcomputer can use two signals (one Row and one Column) to turn on a display, operate a motor, or read a switch.

		Columns			
		1	2	3	4
ROWS	1	GRAY	VIOLET	TAN	AQUA
	2	YELLOW	RED	BROWN	BLACK
	3	BLUE	GREEN	ORANGE	PURPLE
	4	WHITE	PINK	GOLD	SILVER

## Selection System

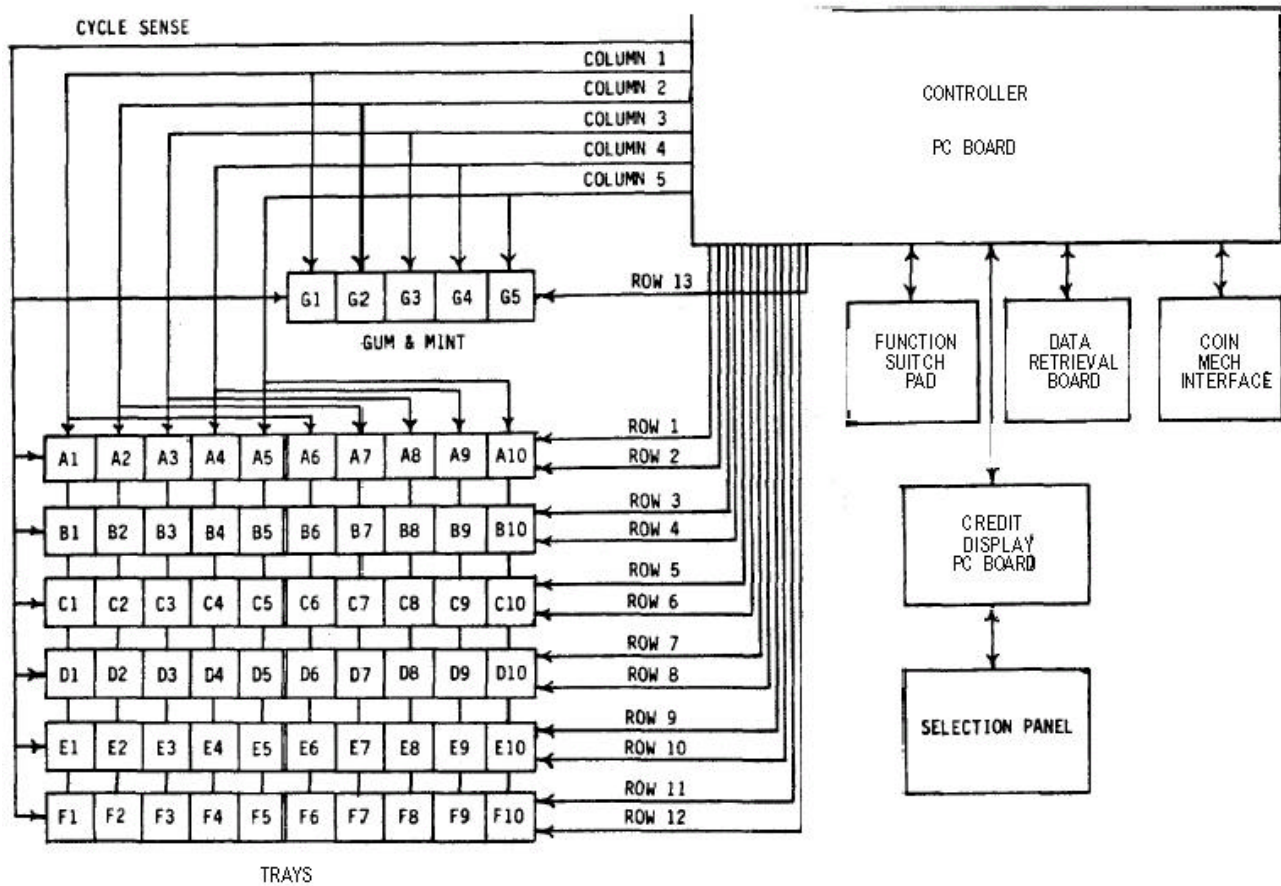
All Technitron Merchandisers use a switch matrix to determine selections. The Snacktron" Selection Panel is made up of 21 buttons, controlled by 10 lines (7 columns and 3 rows. The Tele-Touch' Panel used on the Hottron, Coldtron, and Foodtron merchandisers have 12 buttons controlled by 7 lines (4 columns and 3 rows). Both panels work on the same principle.

## Snacktron Theory of Operation

The Snacktron is a glass front spiral snack vendor that delivers packaged snacks, candy, gum, and mints to customers. The unit can have up to 6 separate trays, with either 5 snack or 10 candy selections per tray (4 snack or 8 candy on the Snacktron 2) . An optional-Gum & Mint unit is available on the Snacktron I.

Look at the block diagram for the Snacktron. A single Controller PC board is used to handle all functions. A Coin Mech. Interface Board is used to operate the coin changer and bill validator. Input signals are sent to the Controller PC board when money is deposited and output signals are sent to the changer when coins are to be paid out.

# SNACKTRON

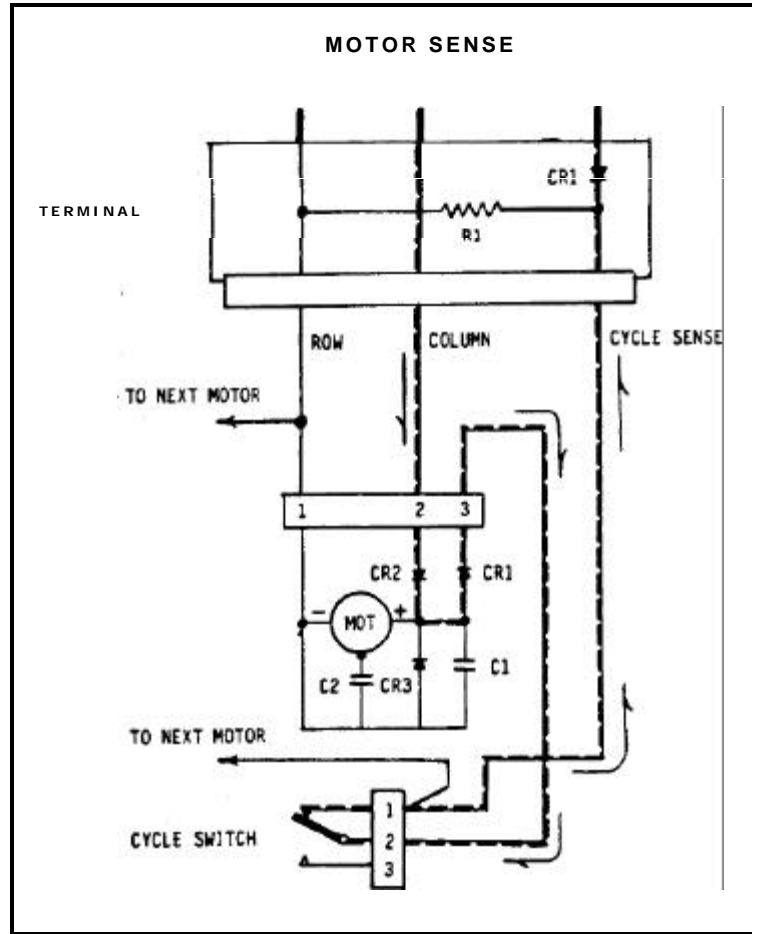
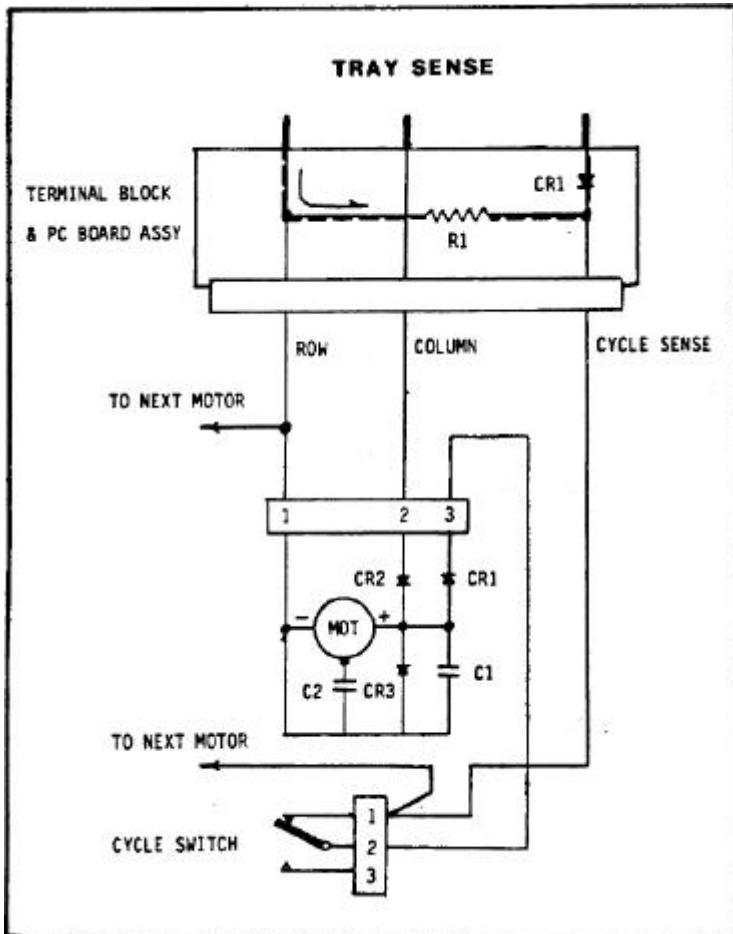


A matrixed Function Switch Pad is used to allow the operator to set prices, retrieve data totals, and perform diagnostic checks. The Data retrieval Board is an option that allows operators that use either the Mars or CA Data Systems to extract data totals using hand-held interrogators.

The Selection Panel and the Credit Display PC Board are connected together, with a single harness for both units going to the Controller PC Board.

A matrix system is used to operate the 24 VDC tray motors. 5 Column lines supply the 12 VDC while 12 Row lines provide the DC ground needed for the motors to run. A 13th Row line is used to operate the Gum & Mint unit. Each Row line controls 5 motors. Each tray position has 2 Row lines. For example, the "A" tray has Row 1 and Row 2. A snack tray will use only the odd numbered Row line for that tray position, while candy trays will use both lines.

To operate a motor, one Column line and one Row line will be active. The motor at the point where these lines meet will then run. For example, to vend "D4", Column 4 will be high and Row 7 will be at DC ground. All other lines will be disabled, so only D4 will run. Note how the same Column lines are used on both sides of a candy tray. In our example, if Column 4 is kept high but Row 8 is taken to DC ground instead of Row 7, "D9" will now vend.



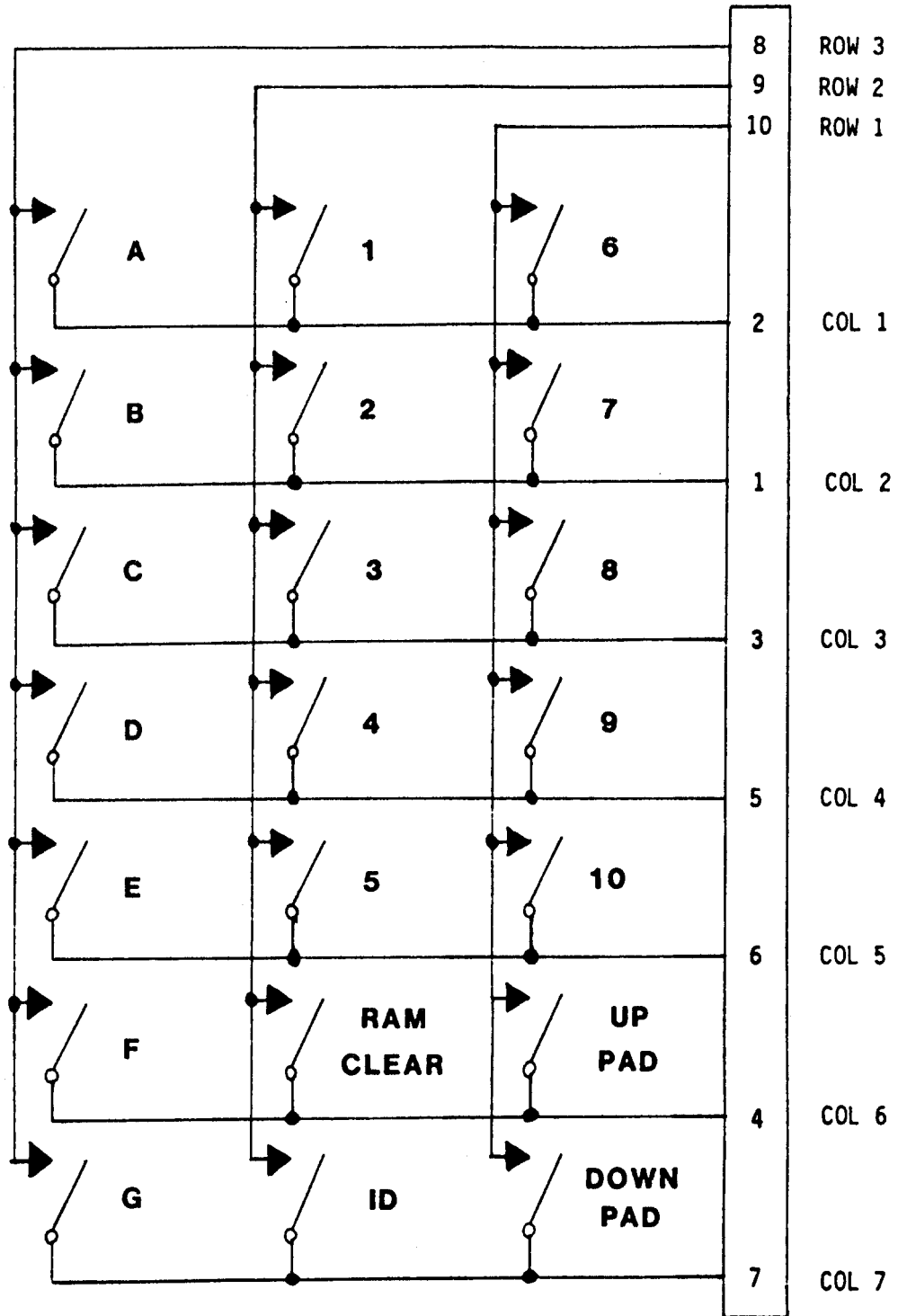


A Cycle Sense Line is used to determine the presence of a tray, whether it is a candy or snack tray, and if each motor is in its home position. Note the diagram SHOWING THE Tray Sense cycle. When the Snacktron first powers up, the Controller PC Board will send a low signal to each Row line, one at a time. If a tray is present, current will flow through the diode and resistor on the Terminal Block and PC Board Assembly and back on the Cycle Sense Line. If there is no current flow, the tray is not sensed and the microcomputer will disable those selections. If an odd numbered Row line indicates that a tray is present, this process is repeated with the corresponding even numbered Row line to determine if the tray is a snack or candy tray.

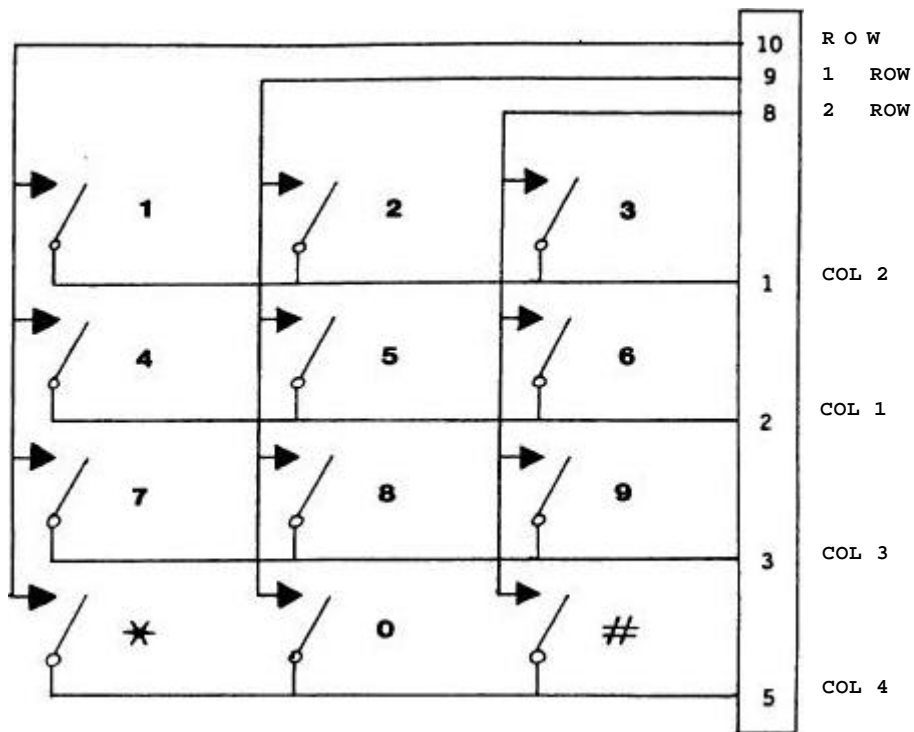
Once the trays have been verified, the microcomputer will then check each motor. Note the diagram showing the Motor Sense cycle. A signal is sent on the Column line, through diodes CR2 and CR1 on the motor, through the Cycle Switch, and on to CRI on the Terminal Block and PC Board Assembly. The diode becomes reverse-biased and the Cycle Sense Line shows that the motor is home. If the diode does not become reverse-biased, the microcomputer senses that the motor is not home and will run it to return it to the home position. If this fails to bring the motor home, the microcomputer will disable that selection and record it for the diagnostic check. This process is then repeated for each motor in the machine.

During a vend, the Coin Interface Board passes information between the Controller PC Board and the changer or bill validator. Once credit is established, the amount is shown on the Credit Display. When the customer presses the buttons on the Selection Panel, the microcomputer determines which selection was requested, checks to see if it is a valid selection (from the tray and motor sense cycles), and then matches it against the price of the item. If there is enough credit, 24 VDC is sent on the appropriate Column line and DC ground on the Row line in to run the motor. When the Cycle Sense Line shows that the motor is home, the vend is complete and any change due is paid to the customer. The Snacktron then returns to standby and waits for the next vend.

# SELECTION PANEL



## TELE - TOUCH PANEL



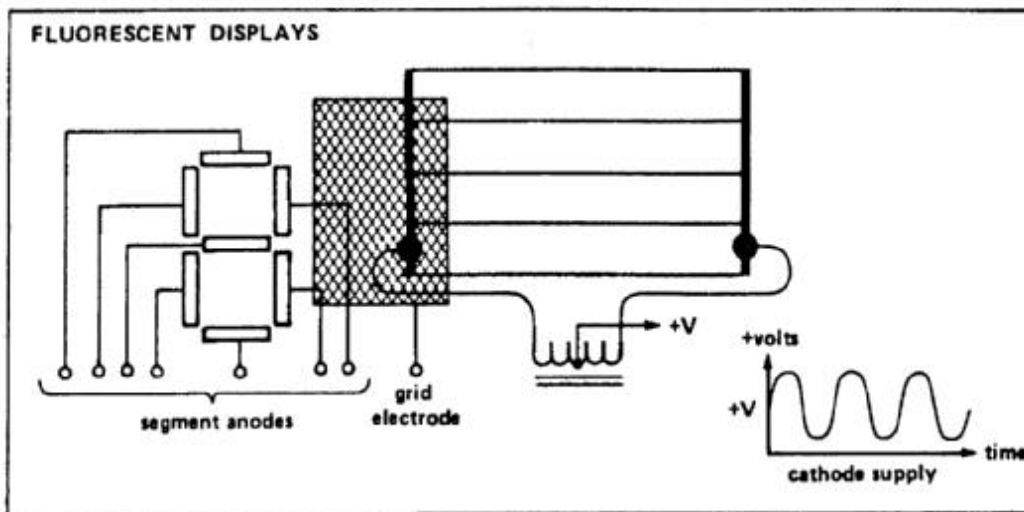
Each Column line is fed a signal from the control board. These lines are strobed so that when Column 1 is on, all other Column lines are off. When Column 1 turns off, Column 2 turns on, and so on through each of the Column lines. When the last Column line turns off, Column 1 turns on again and the process is repeated.

The three Row lines are used to detect when a button has been pressed. The microcomputer sees the strobed signal from a Column line being fed back through the Row line and determines which button has been pressed. For example, if the Control Board in the Snacktron saw the Column 3 strobe on the Row 2 line, it would know that the '3' button had been pressed. On units using the Tele-Touch" panel, the Column 3 strobe on Row 2 would mean that the 08" button had been pressed.

## Display System

The Technitron Merchandisers all utilize a fluorescent tube display to communicate with customers. A matrix system is used by the display to determine what will light up and when.

The fluorescent display contains 10 digits, each with 15 segments. Combinations of segments are turned on to represent a number or letter. Each of these segments in the display is an anode that is coated with fluorescent materials that give off light when hit by electrons. There is one common cathode along the face of the tube that is easily seen as a set of fine wires. A constant voltage is applied to this cathode to keep it warm enough to give off electrons easily, but not hot enough to glow.



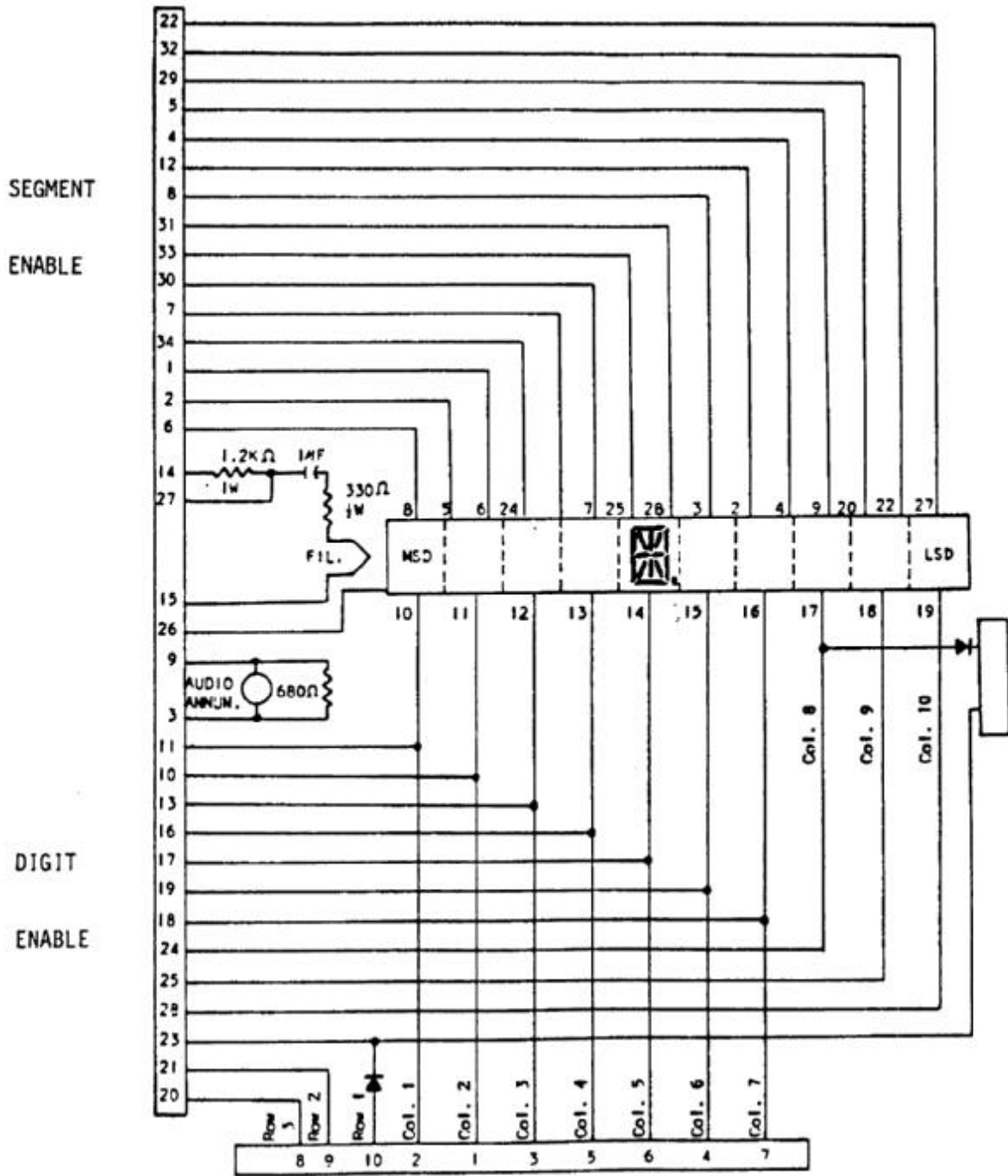
All 15 segment anodes in each digit are wired in parallel across the entire display. For example, the upper left segment in the first digit is also connected to the upper left segment in digits 2 through 10, and so on for all 15 segments. Segments are selected by raising the appropriate segment anodes high so they will attract electrons being given off from the cathode wires.

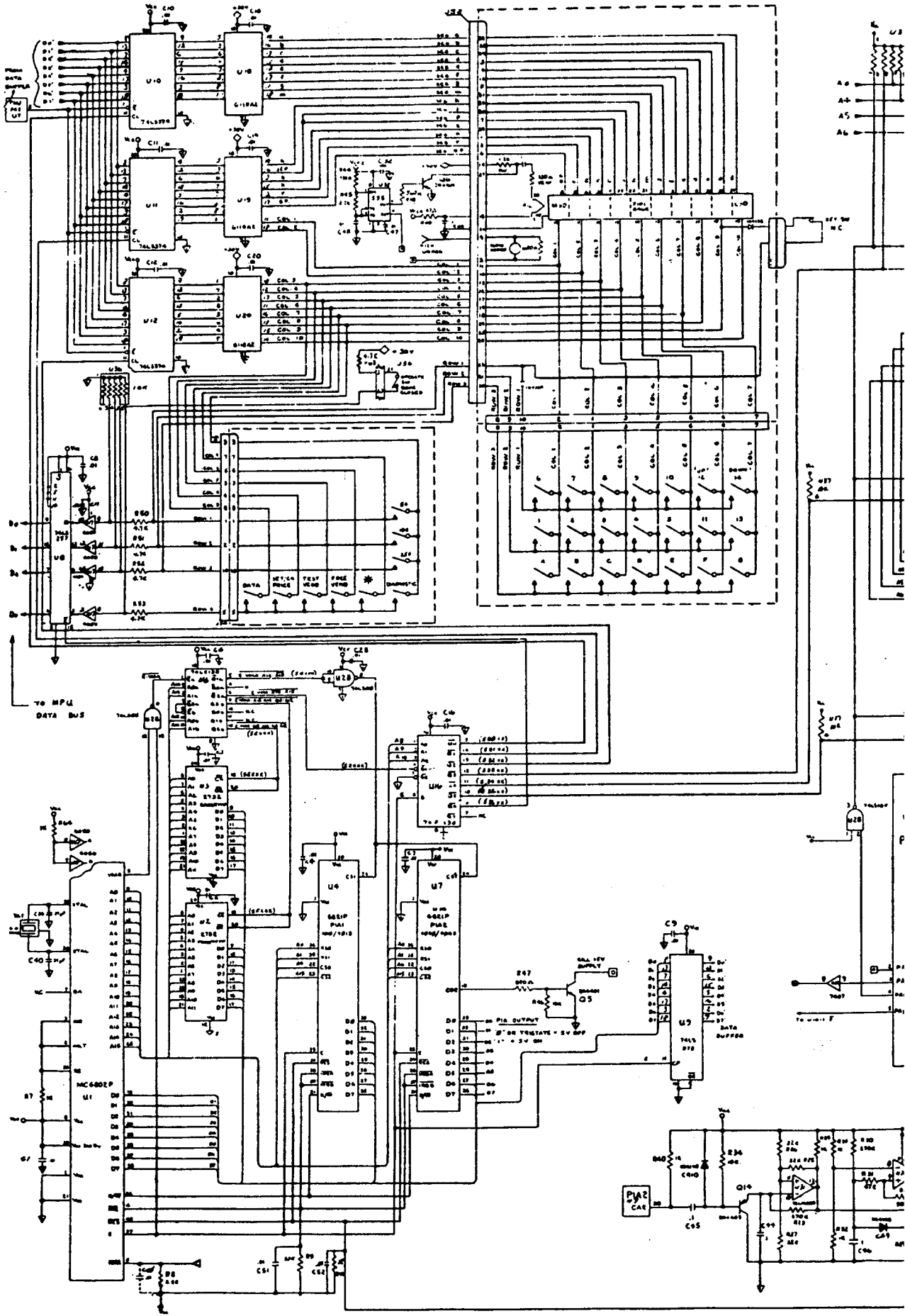
Each digit has a mesh grid placed between the segment anodes and the cathode. The digits are turned on and off by the grid drivers which put either a high or low voltage on each grid. When the grid is low, the electrons on the cathode cannot sense the positive charge of segment anodes and are blocked from reaching them, keeping the digit blank. When the grid is high, the electrons are attracted toward the grid. Traveling in a vacuum, most of these electrons pick up enough speed to fly past the grid and hit the segment anodes, causing them to light.

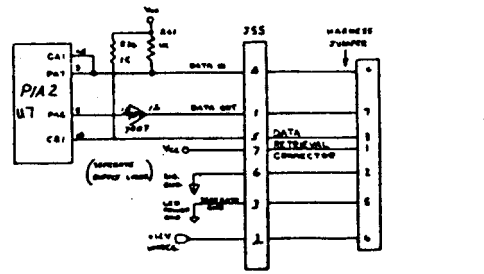
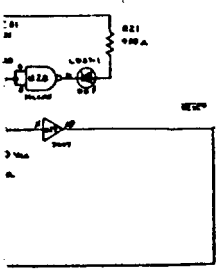
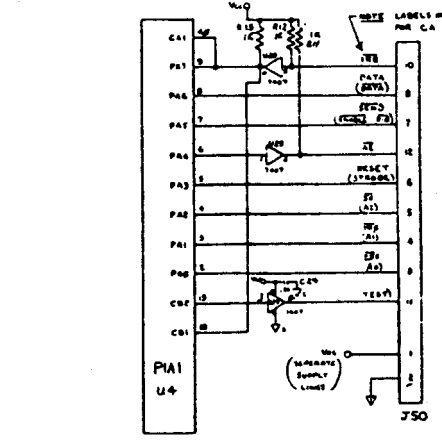
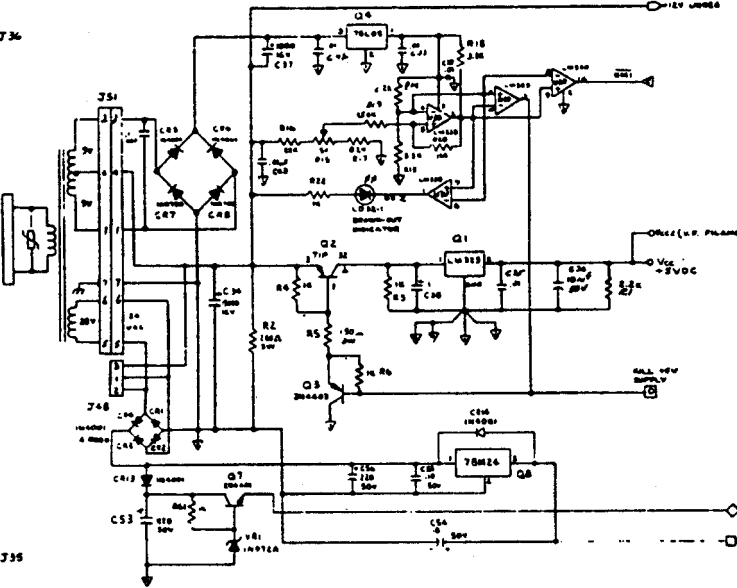
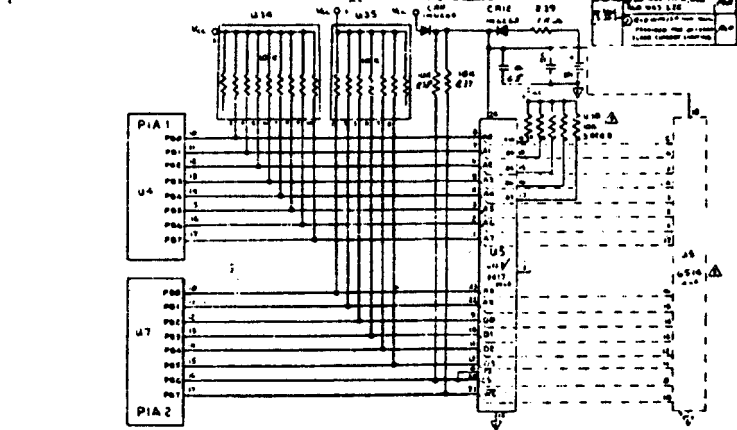
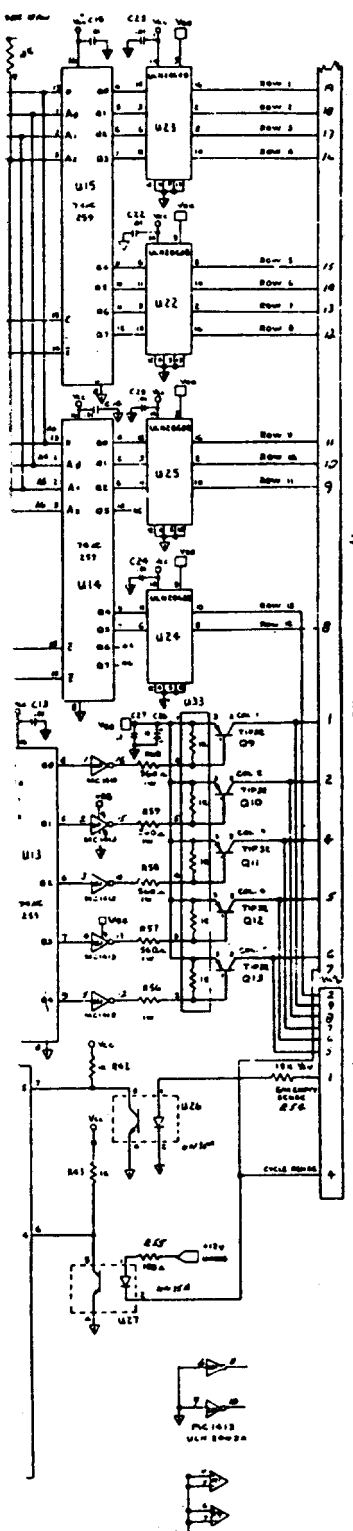
As with the Selection system, the Displays are strobed. Each digit is turned on and off 60 times each second. This fast strobing allows the display to be turned on one digit at a time,

but at a rate so fast that we see the display showing complete words and numbers. The strobed signals to the digit grids are the same signals sent to the Column lines of the Selection system, further reducing the number of control lines needed by the microcomputer system

### TECHNITRON DISPLAYS



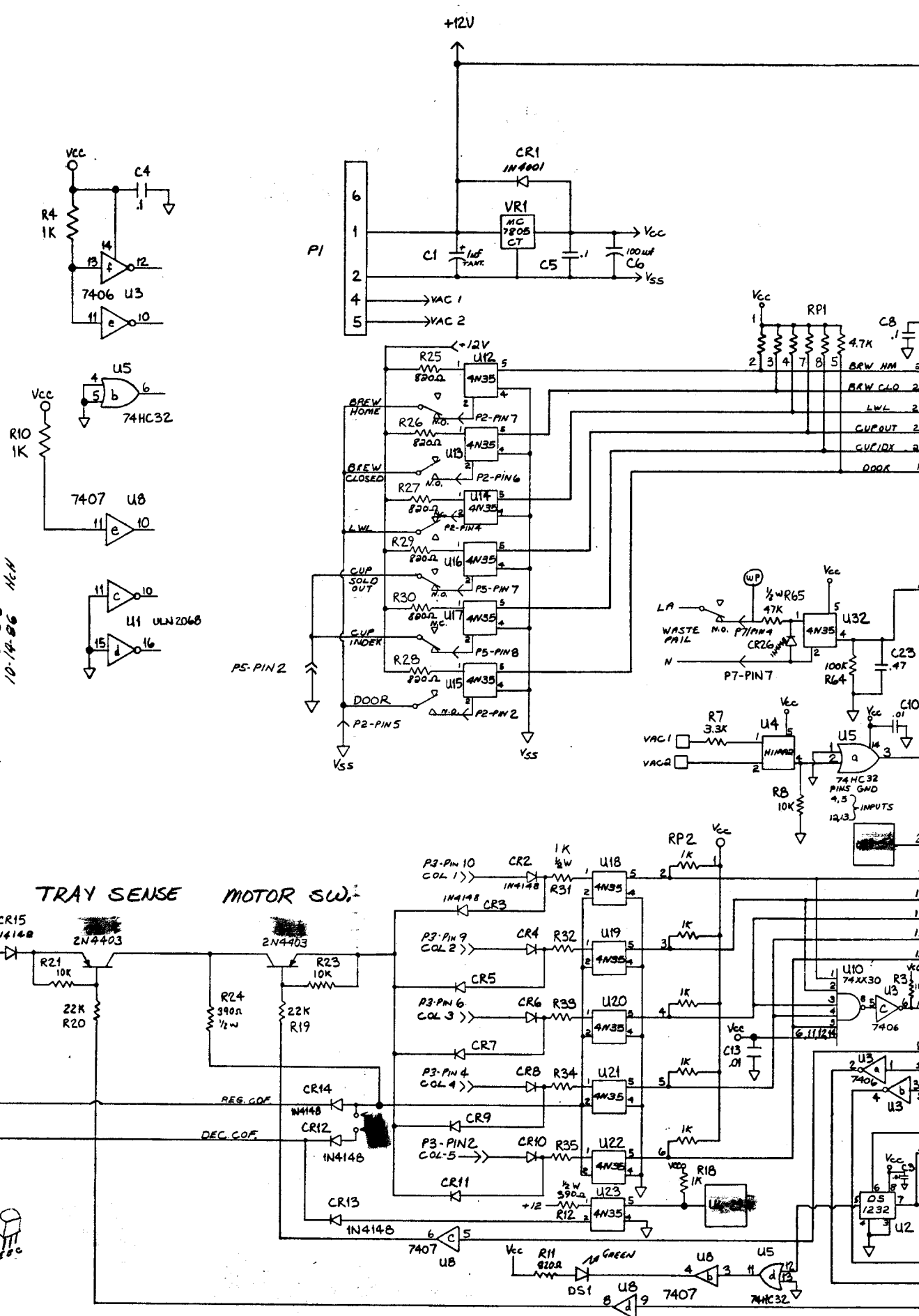




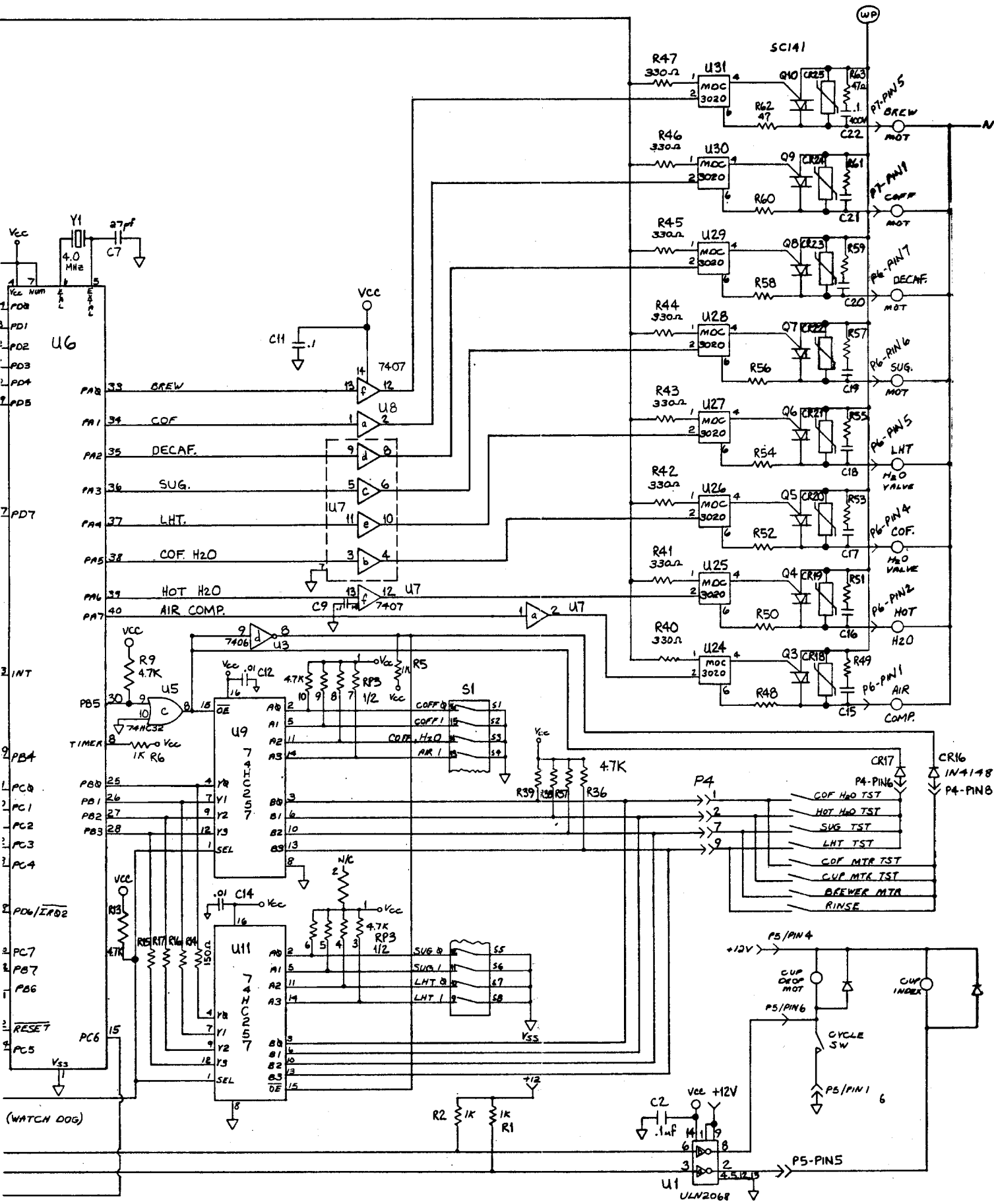
1 ALL RESISTORS ARE  $\frac{1}{4}$  W UNLESS OTHERWISE SPECIFIED.  
 2 UNLESS OTHERWISE SPECIFIED ALL CAPACITANCE VALUES ARE IN MICROFARADS.  
 3 USE US-611/8017 AND USE OR US-614 WITHOUT USE

REV	DATE	DESCRIPTION
1		REV. 10/18/86
2		REV. 10/14/86
3		PHOT RELEASE
4		PHOTO RELEASE
5		PHOTO RELEASE
6		PHOTO RELEASE
7		PHOTO RELEASE
8		PHOTO RELEASE
9		PHOTO RELEASE
10		PHOTO RELEASE
11		PHOTO RELEASE
12		PHOTO RELEASE
13		PHOTO RELEASE
14		PHOTO RELEASE
15		PHOTO RELEASE
16		PHOTO RELEASE
17		PHOTO RELEASE
18		PHOTO RELEASE
19		PHOTO RELEASE
20		PHOTO RELEASE
21		PHOTO RELEASE

PART NO SD250 PCB ASSY - REFRESHTRON 3  
 NATIONAL VENDORS®  
 A DIVISION OF UMC INDUSTRIES, INC.  
 ST. LOUIS, MO 63115  
 BOARD 9116  
 UPDATE 10-18-86 HCN  
 10-14-86 HCN  
 3-1487SRP







## SECTION IV

### ILLUSTRATED PARTS BREAKDOWN

This section contains the Parts Breakdown for each assembly of the Snacktron 1 Merchandiser.

Each Illustration shows an exploded view with index numbers. These numbers correspond with the numbers in the parts list column headed INDEX NO. The DESCRIPTION column lists the identifying name of each part or assembly. The PART NUMBER column lists the part number of each part or assembly. The NO. REQ. column lists the number required for each part or assembly.

#### HOW TO USE THE PARTS LIST

To find the part number of a part or assembly, turn to the Flowchart and pick out the figure that uses the part or assembly desired. Turn to that figure and locate the part and its index number. Find the index number in the parts list and read across for a complete description.

#### HOW TO ORDER PARTS OR ASSEMBLIES

To avoid delays and errors in shipping, give the part number, complete description, and quantity required. Also, include the Model name and Serial No.

IMPERIAL CROWN  
MERCHANTISER

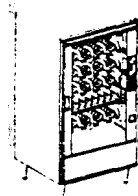


FIGURE 4-1

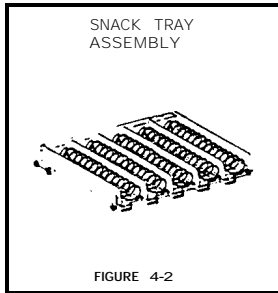


FIGURE 4-2

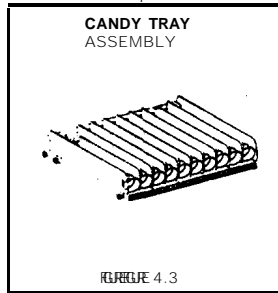


FIGURE 4-3

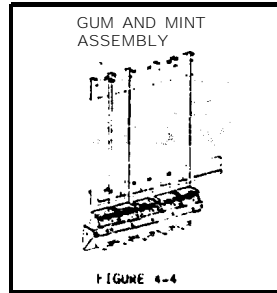


FIGURE 4-4

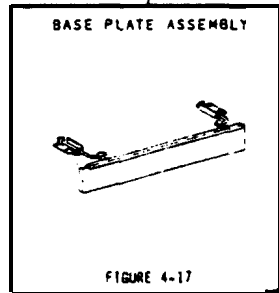


FIGURE 4-17

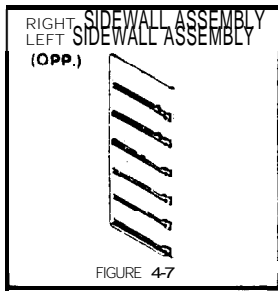


FIGURE 4-7

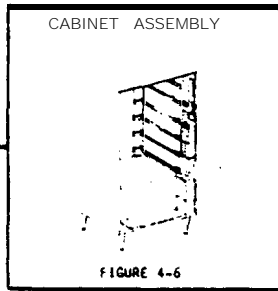


FIGURE 4-6

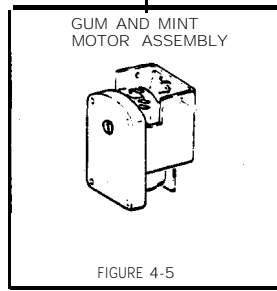


FIGURE 4-5

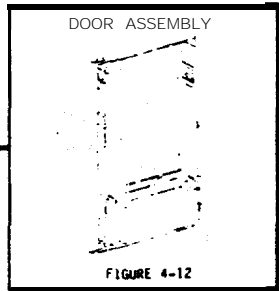


FIGURE 4-12

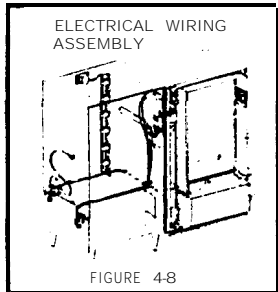


FIGURE 4-8

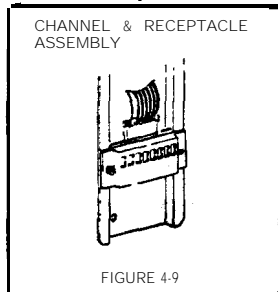


FIGURE 4-9

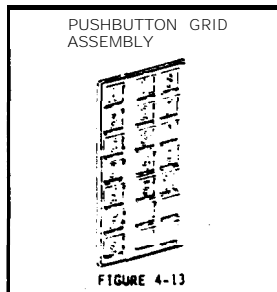


FIGURE 4-13

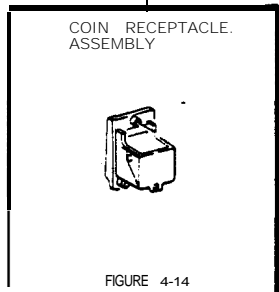


FIGURE 4-14

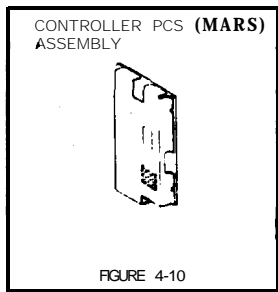
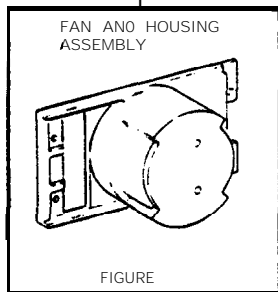


FIGURE 4-10



FIGURE

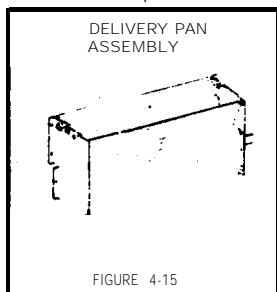


FIGURE 4-15

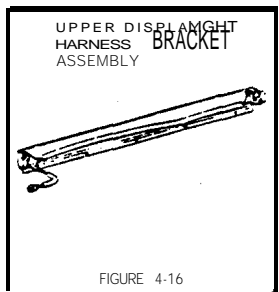


FIGURE 4-16

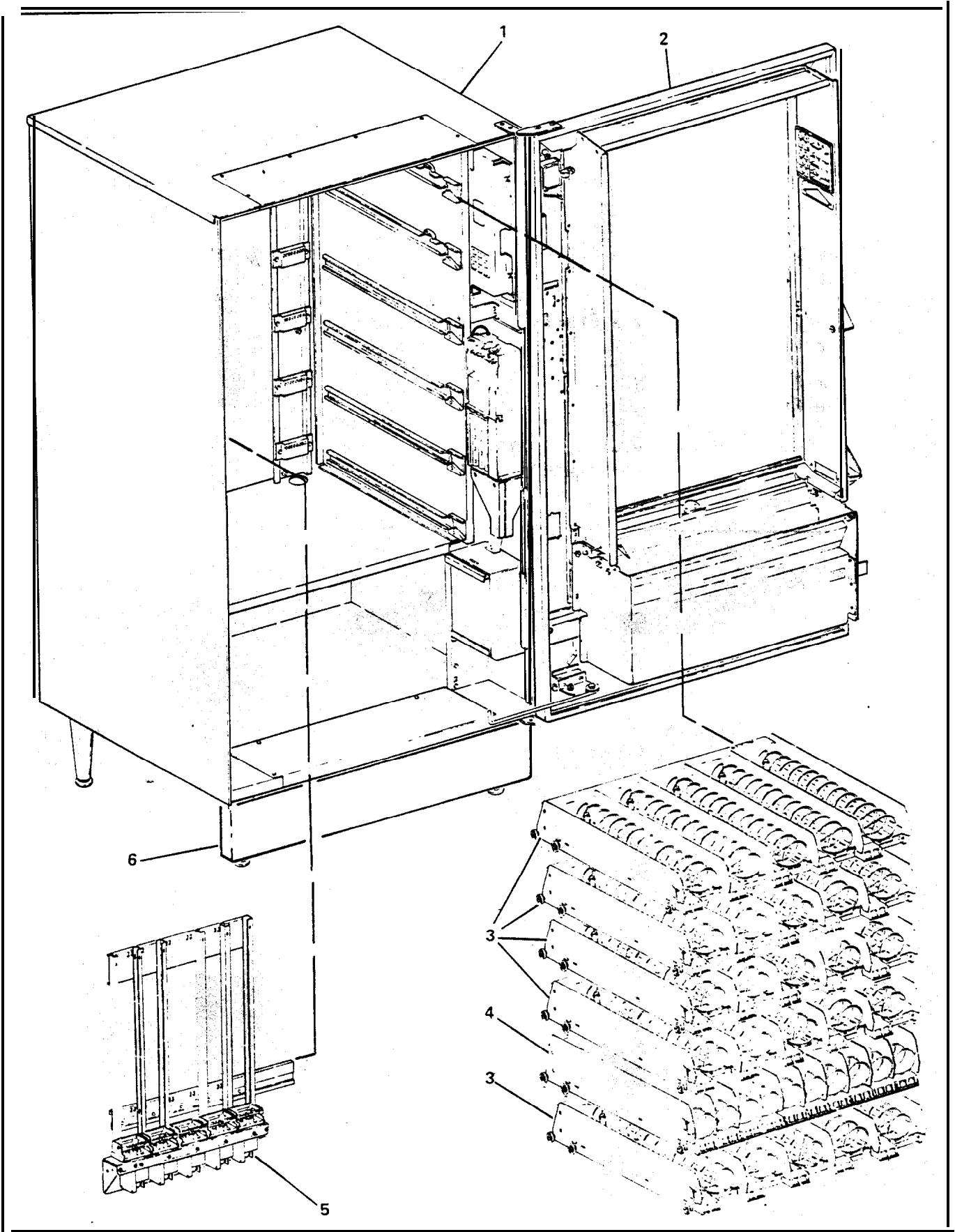


Figure 4-1. Snacktron 1 Merchandiser

# SNACKTRON 1

Index No.	Description	Part Number	RB Part Number	REQ. NO.
1	Snacktron 1" Merchandiser See Figure 4-6			1
2	Cabinet Assembly Final Imperial Crown See Figure 4-12			1
3	Door Assembly- Final Imperial Grown See Figure 4-2			5
4	Snack Tray Assembly-Final See Figure 4-3			1
5	Gum & Mint Assembly See Figure 4-4			1
6	Base Plate Assembly -"NUGRAY"	2271407	OBS	1
	Base Plate Assembly - "AWARD"	2271051	OBS	1
	See Figure 4-17			

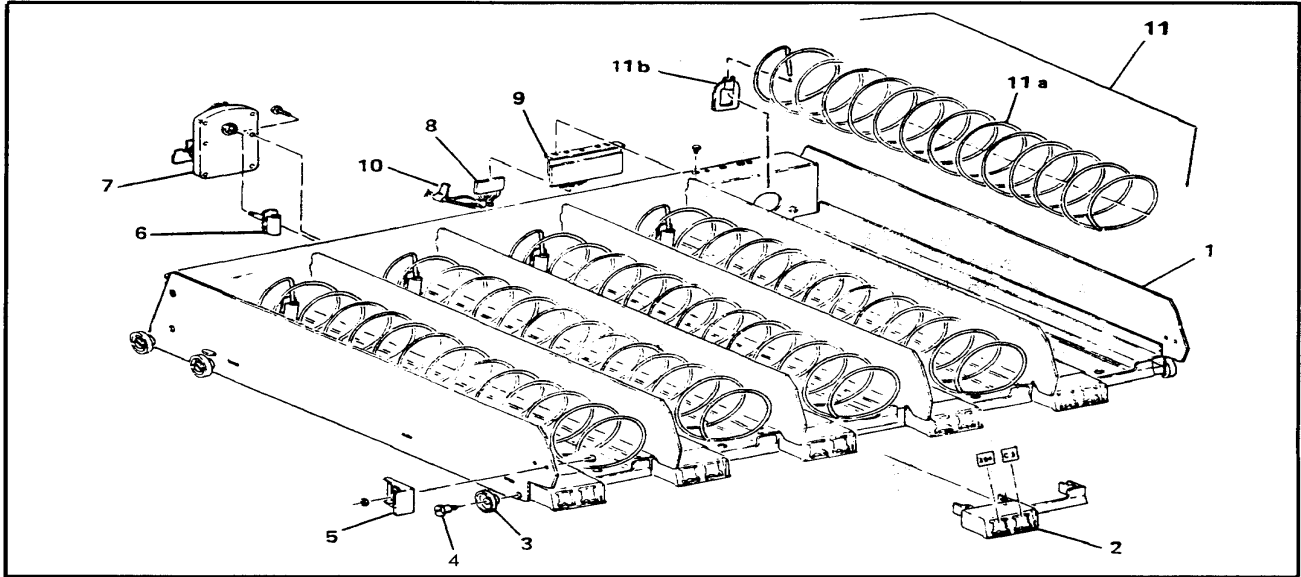


Figure 4-2. Snack Tray Assembly

Index No.	Description	Part#	Note*	REQ.
	Snack Tray Final Assembly See. Figure/Index 4-1/3 next higher assembly	1457000	ACTIVE	1
1	Snack Tray Assembly	1457002	OBS	1
2	Snack Tray Label Holder attaching parts No.8-10 x .38 Hex Hd. T/F Screw	1457001	RB1457099	5
		1437204	ACTIVE	15
3	Tray Roller	1407018	ACTIVE	6
4	Tray Roller Stud	1457001	RB1457099	6
5	Tray Retainer attaching parts No.8-32 x 3/8 THS - Black Screw	1457078	OBS	1
		1170206	ACTIVE	1
6	Spiral Coupling	1457092	ACTIVE	5

# SNACKTRON 1

Index No.	Description	Part No.	RB Part No.	No. Req.
7	PBC and Motor Assembly See Figure attaching parts PBC and Motor Assembly See Figure attaching parts No. 8-32 x .81 Hex Hd. T/F Screw	1457093	1457144	5
8	5 Selection Tray Harness	1457027	ACTIVE	10
		1457017	OBS	1
9	5 Selection Tray PCB and Terminal Block Assembly attaching parts No.8-32 x .38 Hex Hd. T/F Screw 1437204 3	1457013	ACTIVE	
		1437204	ACTIVE	3
10	Observe Polarity Label (Locate 5 places on Tray Harness)	1457047	ACTIVE	5
	Spiral & Sleeve Assembly - Blue (Options Not Shown)	1457029	ACTIVE	6
	Spiral & Sleeve Assembly - Yellow	1457032	ACTIVE	12
	Spiral & Sleeve Assembly - Red	1457035	ACTIVE	12
	Spiral & Sleeve Assembly - White	1457038	ACTIVE	1
	Spiral & Sleeve Assembly - Green	1457041	ACTIVE	1
11a	Spiral - 3.25 Dia. - 11 Count 1457030	1457030	ACTIVE	1(6)
	Spiral - 3.25 Dia. - 13 Count 1457033	1457033	ACTIVE	1(12)
	Spiral - 3.25 Dia. - 15 Count 1457036	1457036	ACTIVE	1(12)
	Spiral - 3.25 Dia. - 20 Count 1457039	1457039	ACTIVE	1(12)
	Spiral - 3.25 Dia. -- 25 Count 1457042	1457042	ACTIVE	1(5)
11b	Sleeve - Color Ident - Blue (Options Not Shown)	1457031	1457061	1(6)
	Sleeve -- Color Ident - Yellow	1457034	1457062	1(12)
	Sleeve - Color -Ident - Red	1457037	1457063	1(12)
	Sleeve - Color Ident - White	1457040	1457064	1(12)
	Sleeve - Color -Ident - Green	1457043	1457065	1

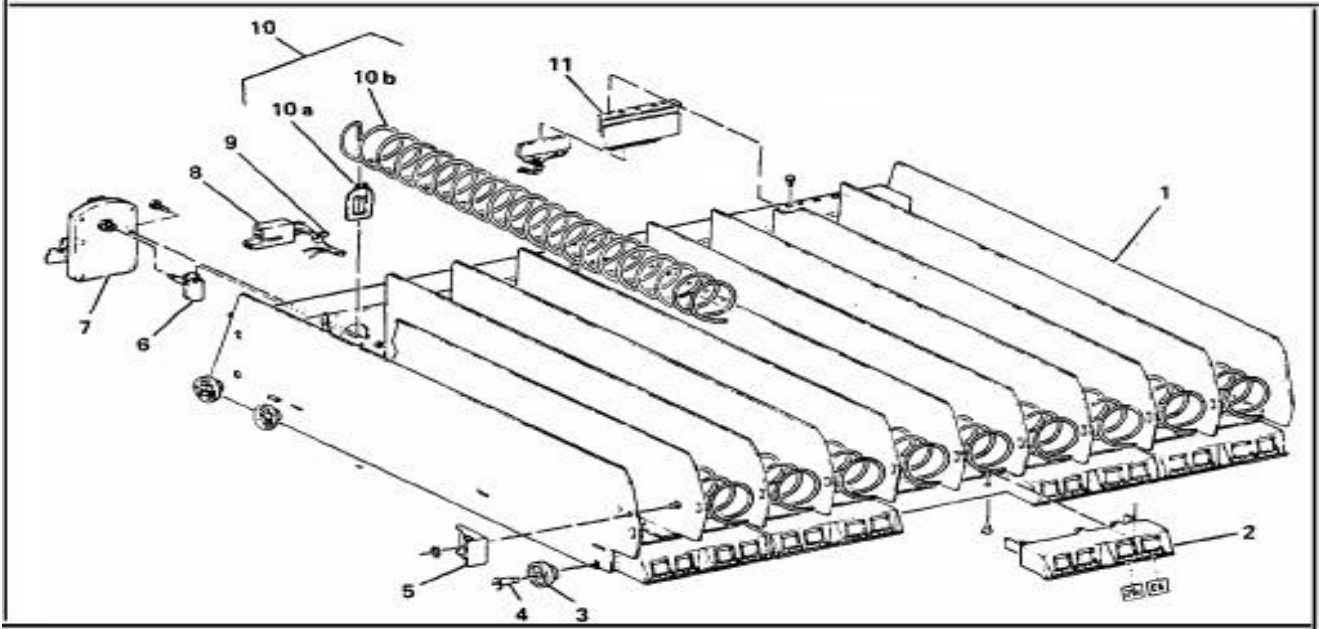


Figure 4-3. Candy Tray Assembly

Index No.	Description	Part No.	RB Part No.	No. Req.
1	Candy Tray Final Assembly See Figure/Index 4-1/4 for next higher assembly	1457100	OBS	1
2	Candy Tray Label Holder attaching parts No.8-32 x .38 Hex Hd. T/F Screw	1457102 1437204	OBS ACTIVE	1 5
3	Tray Roller	1407018	ACTIVE	15
4	Tray Roller Stud	1457001	1457099	6
5	Tray Retainer attaching parts No.8-32 x 3/8 THS Black Screw No.8-32 Nut	1457028 1170206 9900081	ACTIVE ACTIVE ACTIVE	1 1 1
6	Spiral Coupling	1457092	ACTIVE	10



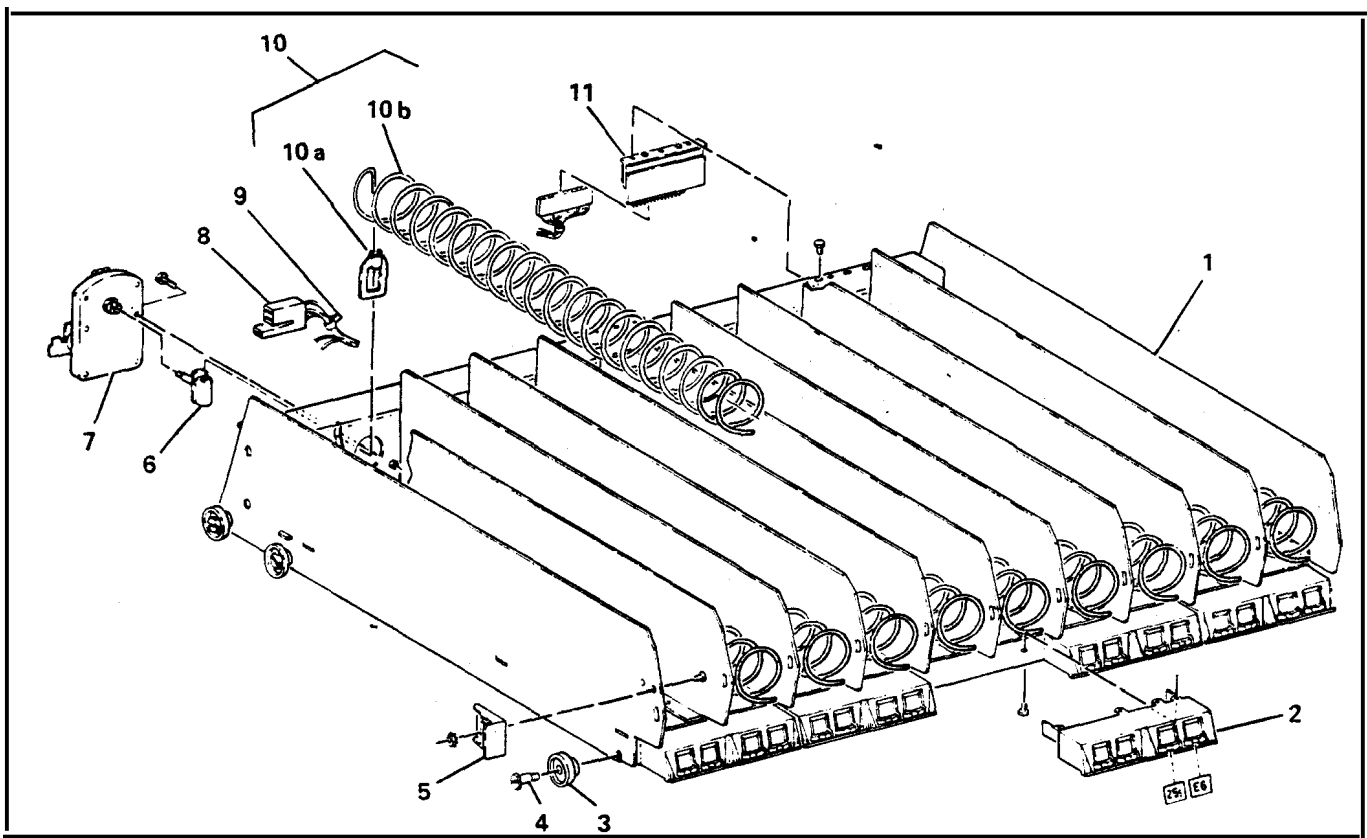


Figure 4-3. Candy Tray Assembly

Index No.	Description	Part #	Note*	Req.
1	Candy Tray Final Assembly See Figure/Index 4-1/4 for next higher assembly	1457100	OBS	1
	Candy Tray Assembly	1457102	1457137	1
2	Candy Tray Label Holder attaching parts	1457150	ACTIVE	5
	No.8-32 x .38 Hex Hd. T/F Screw	1437204	ACTIVE	15
3	Tray Roller	1407018	ACTIVE	6
4	Tray Roller Stud	1457001	1457099	6
5	Tray Retainer attaching parts	1457028	ACTIVE	
	No.8-32 x 3/8 THS Black Screw	1170206	ACTIVE	1
	No.8-32 Nut	9900081	ACTIVE	1
6	Spiral Coupling	1457092	ACTIVE	10

Index No.	Description	Part No.	Note*	Req.
7	PCB and Motor Assembly See Figure attaching parts	1457093	RB1457144	
	No.8-32 x .81 Hex Md. T/F Screw	1457027	ACTIVE	20
8	10 Selection Tray Harness	1457120	ACTIVE	1
9	Observe Polarity Label (Located 10 places on Tray Harness)	1457047	ACTIVE	10
10	Blue Spiral and Sleeve Assembly	1457110	ACTIVE	opt.
	Yellow Spiral and Sleeve Assembly	1457112	ACTIVE	opt.
	Red Spiral and Sleeve Assembly	1457114	ACTIVE	opt.
	White Spiral and Sleeve Assembly	1457116	ACTIVE	opt.
	Green Spiral and Sleeve Assembly	1457124	ACTIVE	opt.
10a	Blue Color Ident. Sleeve	1457031	RB1457061	opt.
	Yellow Color Ident. Sleeve	1457034	RB1457062	opt.
	Red Color Ident. Sleeve	1457037	RB1457063	opt.
	White Color Ident. Sleeve	1457040	RB1457064	opt.
	Green Color Ident. Sleeve	1457043	RB1457065	opt.
10b	15 Count 2.69 Dia. Spiral	1457111	ACTIVE	opt.
	20 Count 2.69 Dia. Spiral	1457113	ACTIVE	opt.
	30 Count 2.69 Dia. Spiral	1457115	ACTIVE	opt.
	38 Count 2.69 Dia. Spiral	1457117	ACTIVE	opt.
	13 Count 2.69 Dia. Spiral	1457125	ACTIVE	opt.
11	10 Selection Tray PCB and Terminal Block Assembly	1457118	ACTIVE	1

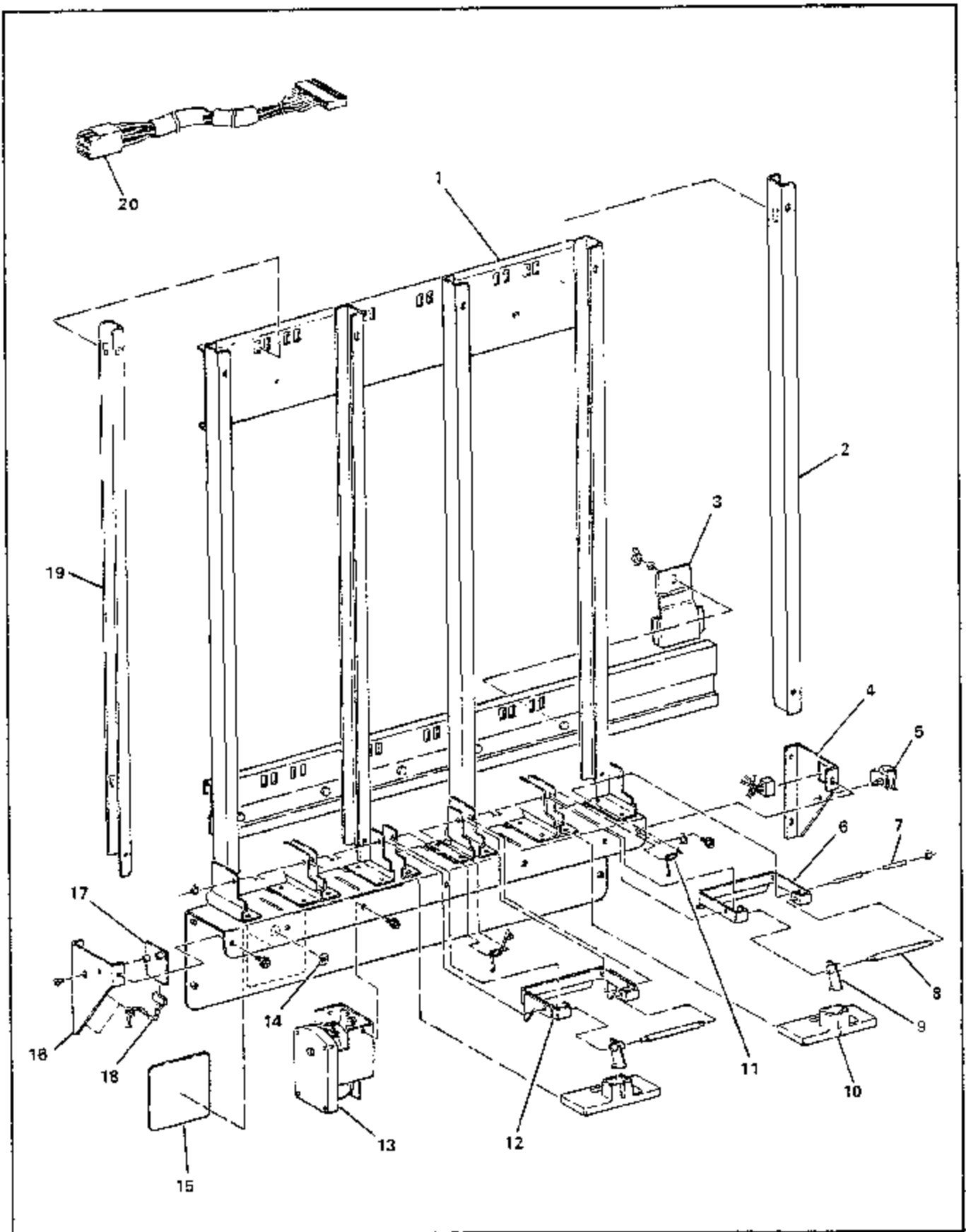


Figure 4-4., Gum and Mint Assembly

Index No.	Description	Part Number	Note*	Req.
	Gum & Mint Assembly See Figure 4-1/5 for next higher assembly	1459000	OBS	Ref.
1	Magazine Assembly - Gum & Mint	1459006	ACTIVE	1
2	Channel, Column - Adjustable - R.H.	1459002	OBS	1
3	Retainer - Small - G & M	1419018	ACTIVE	5
	attaching parts			
	Steel Washer	9900034	ACTIVE	5
	Wing Nut	9900031	ACTIVE	5
4	End Plate - Motor Housing - R.H.	1459004	ACTIVE	1
	attaching parts			
	No.8-32 x .31 Hex Hd. T/F Black Screw	1451097	ACTIVE	3
5	Routing Clip - Snap In	9989324	ACTIVE	1
6	Vend Bar Assembly	1419015	OBS	4
7	R o d - P i v o t - Vend Bar	1459001	ACTIVE	1
	attaching part			
	Speed Clip - Compressor	2366055	ACTIVE	2
8	Pin - Pivot - Vend Bar Link	1419022	ACTIVE	5
9	Link - Vend Flap	1419020	ACTIVE	5
10	Ejector - G & M	1419021	ACTIVE	5
11	Spring - Torsion - G & M	1459018	ACTIVE	5
12	Center Vend Bar Assembly	1459014	OBS	1
13	Motor Assembly - Gum & Mint	1459042	OBS	5
	See Figure 4-5			
	attaching part			
	No.8-32 x .31 Hex Hd. T/F Black Screw	1451097	ACTIVE	15
14	Label - Gum & Mint Column I.D.	1459022	ACTIVE	1
15	Label - G & M Retainer Adjustment	1419059	ACTIVE	1
16	End Plate - Motor Housing	1459005	ACTIVE	1
	attaching part No. 8-32.31 Hex Hd. T/F Black Screw	1451097	ACTIVE	3
17	PCB Assembly - Gum & Mint	1459028	ACTIVE	1
	attaching part			
	No.6-32 x 1/4 RHS Screw	9900003	ACTIVE	2

**SNACKTRON 1**

Index No.	Description	Part No.	Note*	Req.
18	Harness - Gum & Mint attaching part	1459029	ACTIVE	1
	Retaining Clip - Grommet	4041058	ACTIVE	6
19	Channel - Column - Adjustable L.H.	1459003	OBS	1
20	Jumper - Gum & Mint	1459030	ACTIVE	1

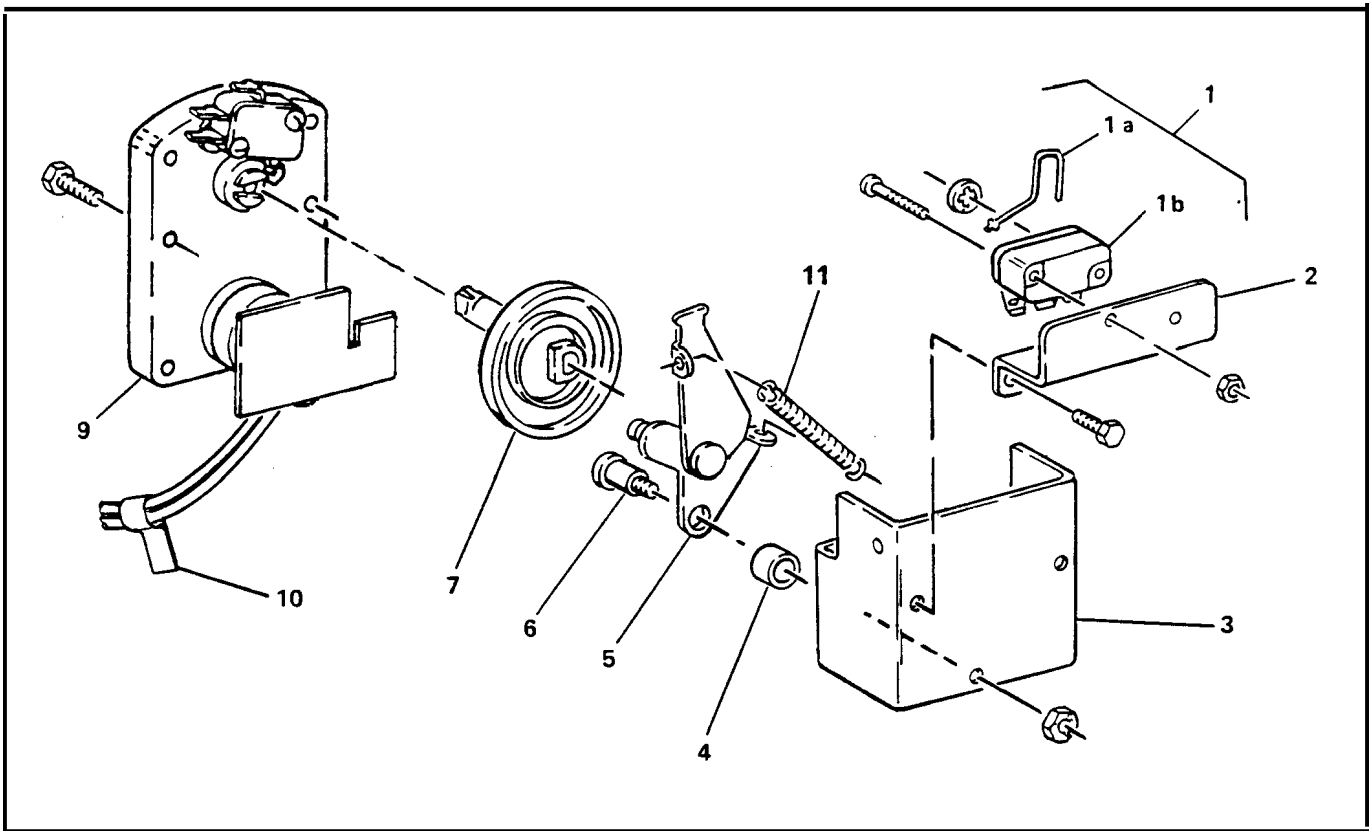


Figure 4-5. Gum and Mint Motor Assembly

Index No.	Description	Part Number	Note*	No. Req.
	Gum & Mint Motor Assembly (See Figure/Index 4-4/13 for next higher Assembly)	1459042	ACTIVE	Ref..
1	Switch & Lever Assembly attaching parts	1419035	ACTIVE	1
	No.4-40 x 3/4 RHS Screw	1217216	ACTIVE	2
	No.4-40 W/LW Nut	1217159	ACTIVE	2
1a	Lever - Switch, Sold Out attaching part	1419037	ACTIVE	1
	Retainer, Push On	1217162	ACTIVE	1
1b	Switch	5220431	ACTIVE	1
2	Bracket - Sold Out Switch attaching part	1419031	ACTIVE	1
	No.8-32 x .31 Hex Hd. T/F Black Screw	1451097	ACTIVE	2
3	Motor Bracket attaching parts	1459020	ACTIVE	1
	No.8-32 x .81 Hex Hd. T/F Screw	1457027	ACTIVE	2
4	Follower Plate Spacer	1419028	ACTIVE	1

**SNACKTRON 1**

Index No.	Description	Part No.	Note*	No. Req.
5	Actuator Arm Assembly attaching part	1419038	RB1459039	1
	No.8-32 Self Locking Nut	9900072	ACTIVE	1
6	Stud -Pivot - Follower Plate	1419029	ACTIVE	1
7	Ejector - Gum & Mint Cam	1459043	ACTIVE	1
9	PCB & Motor Assembly - Tray	1457093	RB1457144	
10	Label - Observe Polarity	1457047	ACTIVE	1
11	Spring - Ejector - Gum & Mint	1419030	ACTIVE	1

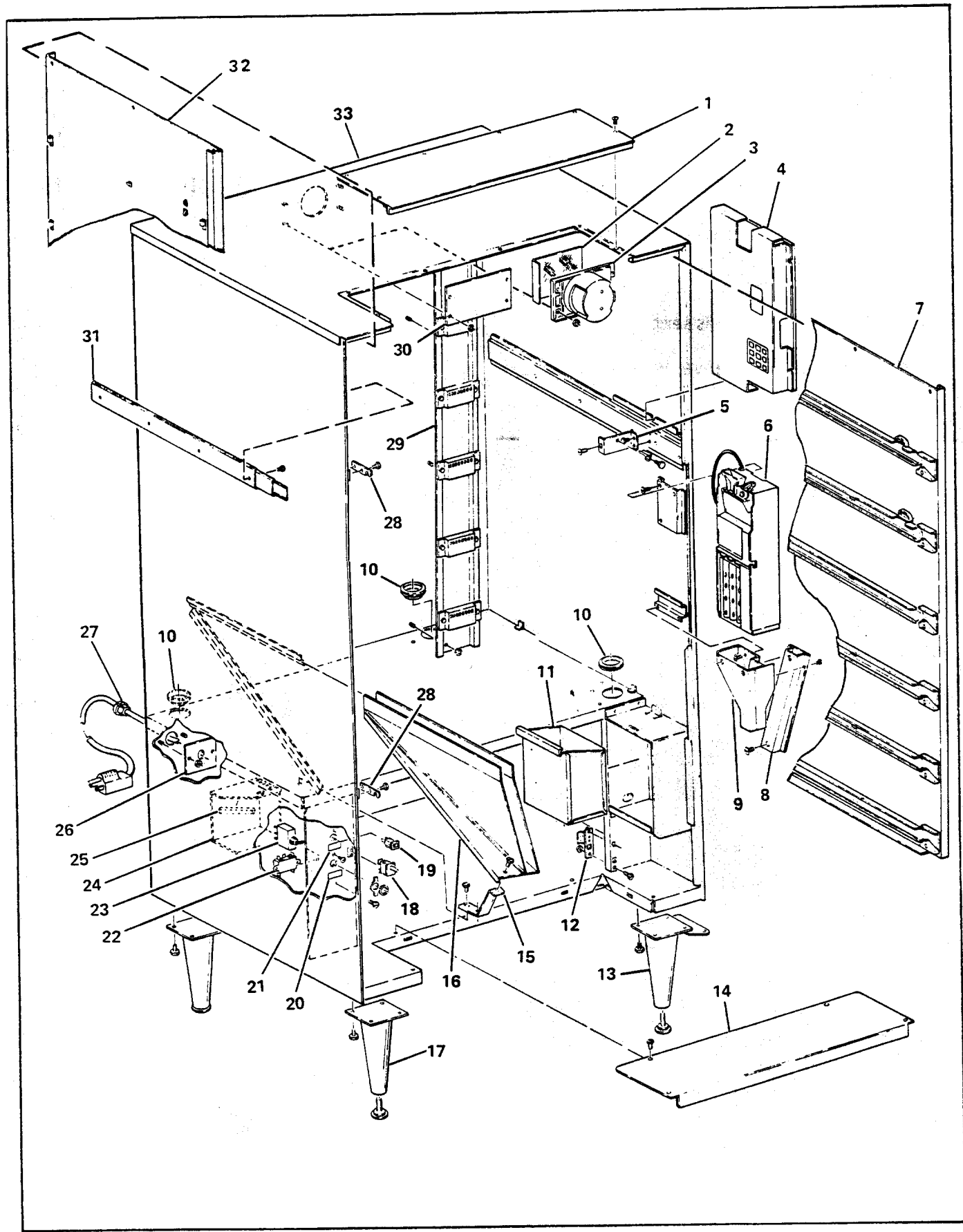


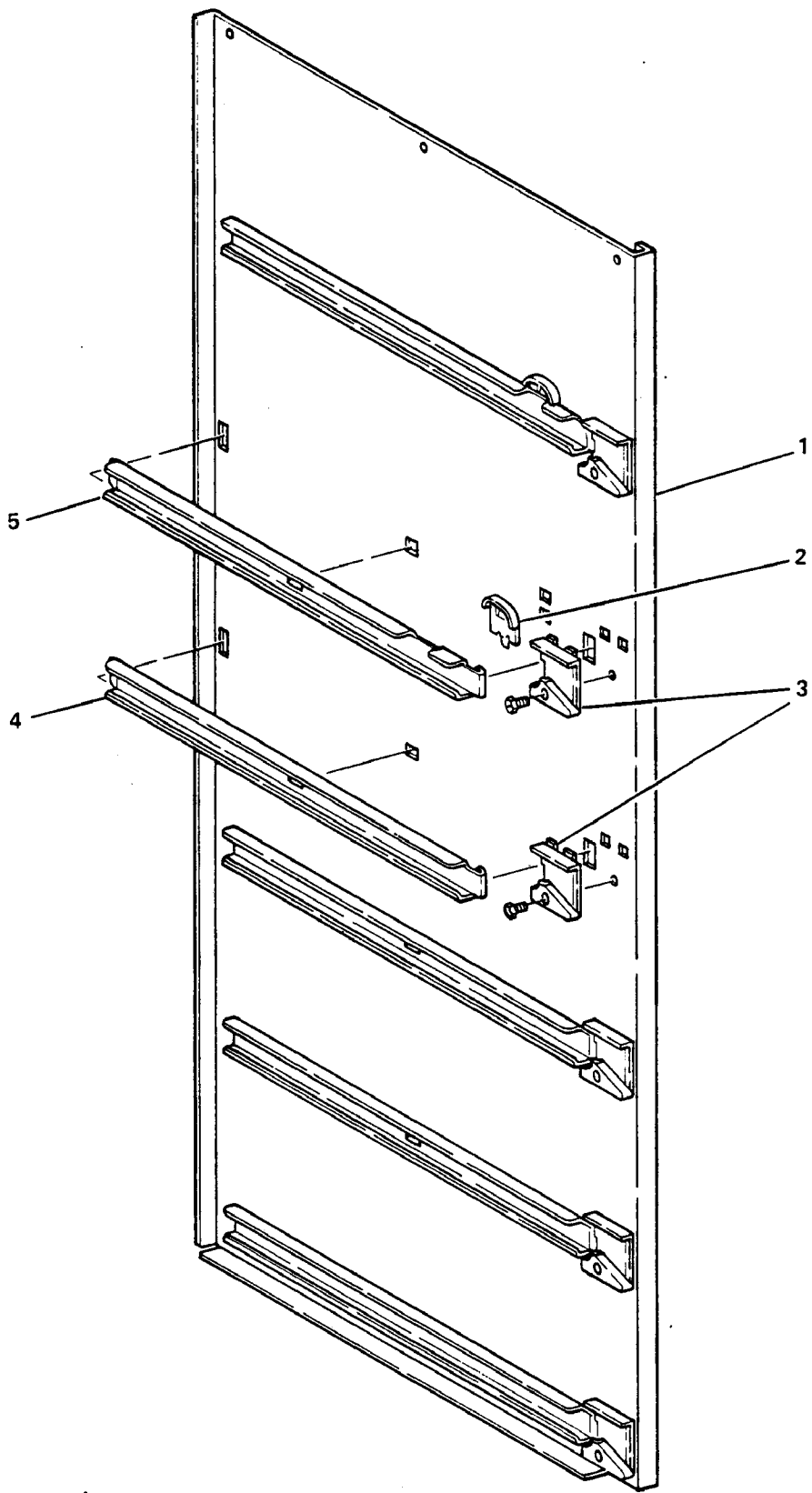
Figure 4-6. Cabinet Assembly



Index No.	Description	Part Number	Note*	No. Req.
	Cabinet Assembly (See Figure/Index 4-1/1 for next higher assembly)			Ref.
1	Filler Assembly - Cabinet Top attaching parts	1411032	ACTIVE	1
	Nut No.8-32 W/LW	9900081	ACTIVE	6
2	Screen Cabinet Back	1451087	ACTIVE	1
3	Fan & Housing Assembly (Opt) See Figure 4-11 attaching parts	1451088	ACTIVE	1
	Nut No.10-32 W/LW	9900164	ACTIVE	4
4	Controller PCB & Component Assembly Mars See Figure 4-10	1451045	RB1451230	1
5	Bracket-Support-Liner Sidewall attaching parts	1451094	ACTIVE	1
	Screw No.8-32 x .31 Hex Hd T/F Black	1451097	ACTIVE	2
	Screw No.8-32 x 3/8 THS Black (attaches Bracket to R.H. Liner Sidewall)	1170206	ACTIVE	1
6	Coin Unit - Mars Changer MC5000 Mounting Hardware	5900112	ACTIVE	1
	Screw No.8-32 x 3/8 RHS	9900019	ACTIVE	3
7	Right Sidewall Assembly See Figure 4-7 attaching parts	1451057	RB1451169	1
	Screw No.8-32 x .31 Hex Hd. T/F Black	1451097	ACTIVE	6
	Nut No.10-32 W/LW	9900164	ACTIVE	5
8	Chute Assembly - Coin Return attaching parts	1451072	ACTIVE	1
	Screw No.6-20 x 3/8 PHS T/C	9900203	ACTIVE	2
3	Coin Chute Assembly attaching parts	1451068	ACTIVE	1
	Screw No.6-32 x 5/16 THS S/T	9900166	ACTIVE	3
10	Snap Bushing	2301017	ACTIVE	3
11	Money Box Assembly	1451029	RB4302408	
12	Plate & Spring Assembly - Door Check attaching parts	1451039	ACTIVE	1
	Screw No.8-32 x .31 Hex Hd. T/F Black	1451097	ACTIVE	2
13	Leg, Hinge & Leveler Assembly - Cabinet attaching parts	3121148	RB3151063	
	Screw .31-18 x 1.00 Hex Hd. T/ F	1451093	RB9900218	4

Index No.	Description	Part No.	Note*	No. Req
14	Filler Assembly - Base attaching parts Screw No.8-32x.31 Hex Hd T/F Black	1411034 1451097	RB1451329 ACTIVE	1 4
15	Bracket Mounting-G & M Chute attaching parts Screw No.8-32 x.31Hex Hd. T/F Black	1451095 1451097	OBS ACTIVE	1 2
16	Chute Assembly - G & M attaching parts Screw No.8-32 x .31Hex Hd. T/F Black	1451034 1451097	ACTIVE ACTIVE	1
17	Leg & Leveler Assembly - Cabinet attaching parts Screw .31-18 x 1.00 Hex Hd. T/F	1171098 1451093	RB1471237 RB9900218	3 12
18	Switch - Interlock	1401110	ACTIVE	1
19	Circuit Breaker - 3 Amp	9989336	ACTIVE	1
20	Label -Main Power	1451138	ACTIVE	
21	Label - Circuit Breaker	1451137	OBS	1
22	Interference - Filter attaching parts Nut -No.8-32 W/LW Screw No.8-32x 3/8PHS W/LW	9989100 9900081 9900023	ACTIVE ACTIVE ACTIVE	1 2 2
23	Switch DPST	4041150	RB9984629	1
24	Cover - Interlock Switch attaching parts Screw No.8-32 x 3/8PHS W/LW Nut No. 8-32 W/LW	1451081 9900023 9900081	ACTIVE ACTIVE ACTIVE	1 2 2
25	Grommet - Strip	1451044	OBS	1
26	Plate & Power Cord Assembly attaching parts Nut No.10-32W/LW	1451047 9900164	ACTIVE ACTIVE	1 2
27	Straight Thru Heyco	2221041	OBS	1
28	Lock Arm- Cabinet- Left attaching parts Screw No.10-32 x 3/8 PHS T/C W/LW	4241182 4041053	ACTIVE ACTIVE	2 4
29	Channel & Receptacle Block Assembly See Figure 4-9 attaching parts Nut No.10-32W/LW	1451062 9900164	ACTIVE ACTIVE	1 4

Index No.	Description	Part No.	Note*	No. Req.
38	Cover - Fan	1451078	ACTIVE	1
	attaching parts			
	Nut No. 10-32 W/LW	9900164	ACTIVE	4
31	Mount Slide - G 8 M	1451080	OBS	1
	attaching parts			
	Screw - No. 8-32 x .31 Hex Hd. T/F-Black	1451097	ACTIVE	4
32	Left Sidewall Assembly	1451050	OBS	1
	See Figure 4-1			
	attaching parts			
	Screw No.8-32 x .31 Hex Hd. T/F Black	1451097	ACTIVE	6
	Nut No.8-32 W/LW	9900164	ACTIVE	6
33	Cabinet Assembly	1451000	OBS	1
	Not Shown			
	Label - Tray Removal	1451098	OBS	1
	Label - Candy Loading	1451129	OBS	
	Union Label	2221039	ACTIVE	1
	Patent Label	2221045	OBS	1
	Label - N.V. Logo	2221580	OBS	1
	Tag - Electrical Rating	1451082	OBS	1



NOTE:  
Right Sidewall Assembly Shown -  
Left Sidewall Opposite

Figure 4-7. Cabinet Sidewall Assembly

Index No.	Description	Part Number	Note*	No. Req.
	Left Sidewall Assembly	1451050	OBS	Ref.
	Right Sidewall Assembly (See Figure/Index 4-2/7 & 4-2/29 for next higher assembly)	1451057	OBS	Ref.
1	Sidewall Liner R.H.	1451058	OBS	1
	Sidewall Liner L.H.	1451051	OBS	1
2	Extension - Guide Rail Upper R.H.	1451054	ACTIVE	2
	Extension - Guide Rail Upper L.H.	1451054	ACTIVE	
3	Ramp - Tray - R.H.	1451061	RB1451172	
	Ramp - Tray - L.H.	1451055	RB1451168	1
	attaching parts			
	Screw No.8-32 x .31 Hex Hd. T/C	1451056	RB9900106	12
4	Guide Rail - Lower R.H.	1451059	RB1451216	4
	Guide Rail - Lower L.H.	1451052	RB1451215	4
5	Guide Rail - Upper R.H.	1451060	RB1451217	2
	Guide Rail - Upper L.H.	1451053	RB1451217	2

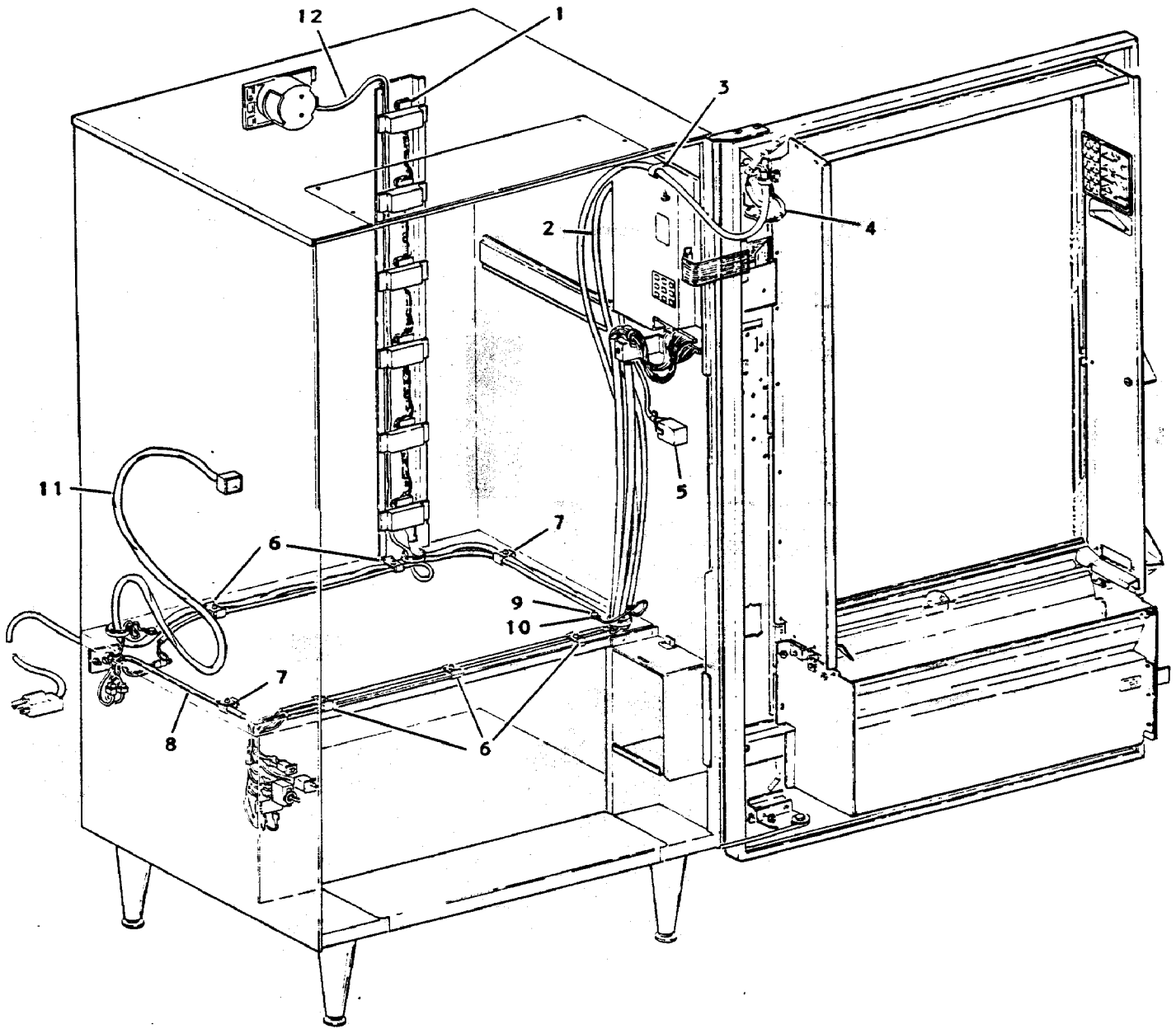


Figure 4-8. Electrical Wiring Assembly

# SNACKTRON 1

Index No.	Description	Part Number	Note*	No. Req.
	Electric Wiring Assembly			
①	Cabinet Harness	1451075	ACTIVE	①
②	Harness - Power to Controller	1451130	ACTIVE	①
3	Wire Clamp	2302227	ACTIVE	1
	attaching part		ACTIVE	
	No.6-32 x .25 RHS T/C Screw	9900104	ACTIVE	1
④	Harness - Power to Transformer	1451125	ACTIVE	①
⑤	Harness - Coin -Mech. - Mars Interface	1451120	ACTIVE	①
⑥	Grommet Routing Clip	9989323	ACTIVE	⑤
⑦	Grommet Routing Clip	9989324	ACTIVE	②
8	Harness - Power Control	1451123	OBS.	1
9	No. 8-32 x .31 Hex Hd. T/F Screw (Black)	1451097	ACTIVE	2
10	No.8 External Tooth Lock washer	6131148	ACTIVE	2
⑪	Harness - Gum and Mint	1459029	ACTIVE	①
⑫	Harness Fan	1451122	ACTIVE	①

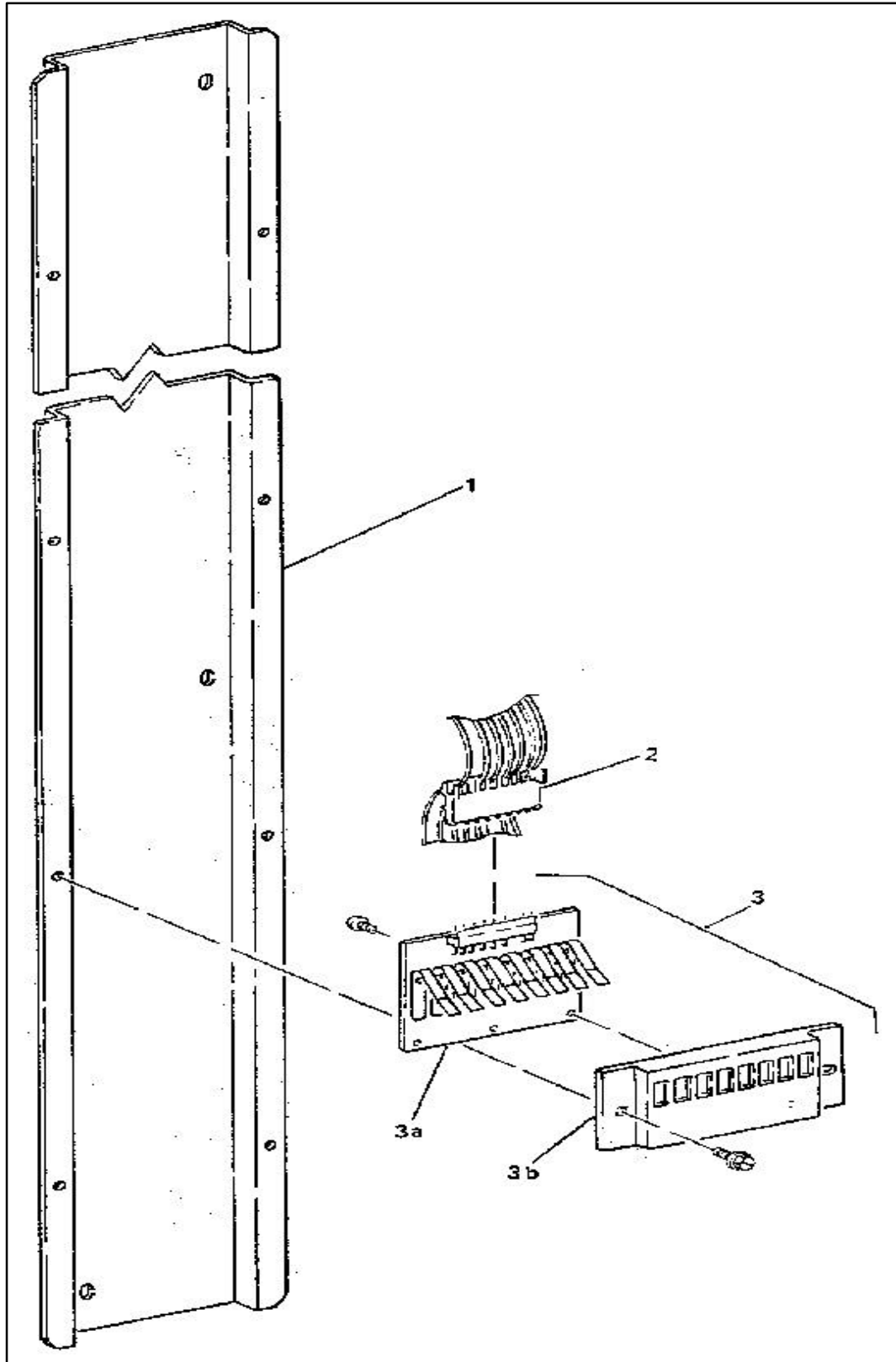


Figure 4-9. Channel and Receptacle Block Assembly



**SNACKTRON 1**

Index No.	Description	Part Number	Note*	No. Req.
	Channel and Receptacle Block Assembly See Figure/Index 4-2/30 next higher assembly	1451062	ACTIVE	Ref
1	Mounting Receptacle Channel	1451063	OBS	1
2	Cabinet Harness	1451075	ACTIVE	1
3	Receptacle Block and P/C Board Assembly attaching parts	1451064	OBS	6
	No.8-32 x .31 Hex Hd. T/F Black Screw	1451097	ACTIVE	12
3a	PCB and Contact Spring Assembly attaching parts	1451049	OBS	6
	No.6-20 x 3/8 PHS T/C Screw	9900203	ACTIVE	30
3b	Receptacle Block	1451065	ACTIVE	6

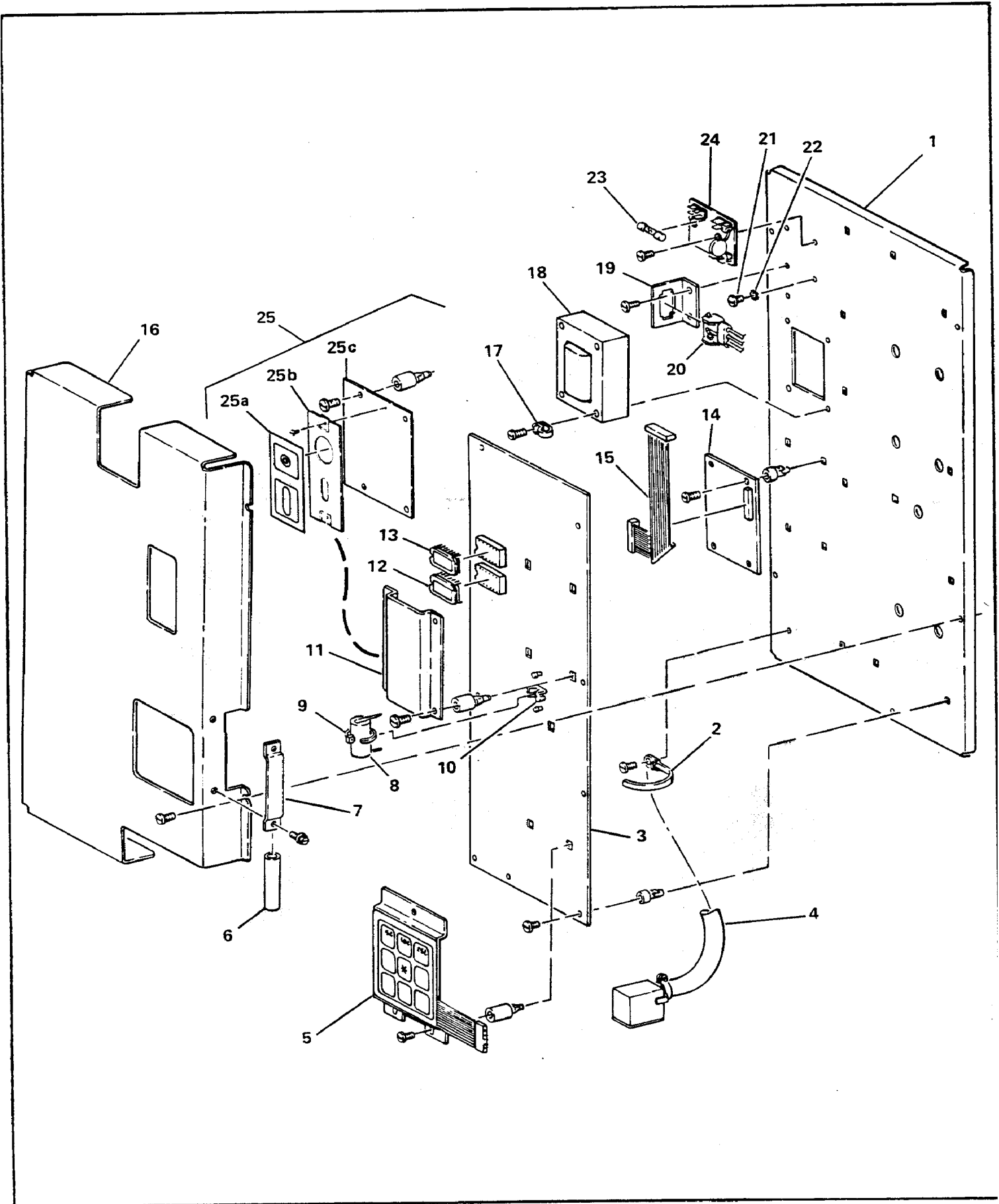


Figure 4-10. Controller PCB and Component Assembly

Index No.	Description	Part Number	Note*	No. Req .
	Controller PCB & Component Assembly - Mars (See Figure/Index 4-2/10 next higher assembly)	1451045	RB1451230	Ref.
①	P/C Board Chassis	1451107	ACTIVE	①
2	Wire Tie attaching part	5230618	RB4751060	1
	Screw No.8-32 x 31 Hex Md. T/F Black	1451097	ACTIVE	1
3	Controller PCB Assembly attaching part	1451085	OBS	1
	Screw No.8-18 x .500 PHS	1451112	RB1471199	8
	Plastic Expansion - Nut - .250 Spacer	9989329	ACTIVE	12
④	Harness - Coin Mechanism - Interface -- Mars	1451120	ACTIVE	①
⑤	Membrane and Plate Assembly attaching parts	1451100	ACTIVE	①
	Screw No.8-18 x 1.250 PHS	1451113	ACTIVE	3
	Plastic Fastener - .687 Spacer	9989330	ACTIVE	3
6	Cover Clamp	1451043	ACTIVE	1
7	Clamp - Wire attaching part	1451042	ACTIVE	1
	Screw No.8-32 x .31 Hex Md. T/F Black	1451097	ACTIVE ACTIVE	2
8	Battery - Lithium - 3V Size 2/39	9989317	OBS	1
9	Wire Tie - Self Clinching - Medium	2204513	ACTIVE	1
⑩	Tie Mount - Cable attaching parts	9989327	ACTIVE	①
	Screw No.6-32 x 1/4 RHS	9900003	ACTIVE	1
	Nut	9900114	ACTIVE	1
11	Channel - Backup - Cover (on 1451035) attaching parts	1451109	OBS	1
	Screw No.8-18 x 1.250 PHS	1451113	ACTIVE	4
	Plastic Fastener - .687 Spacer	9989330	ACTIVE	4
⑫	IC - MOS - EPROM - PROGRAMMED (U3)	1451132	RB1451386	①
⑬	IC MOS EPROM - PROGRAMMED (V2)	1451131	RB1451385	①
14	PCB Assembly - Coin Mach. INTERFACE - MARS attaching parts	1451105	ACTIVE	1
	Screw No.8-18 x .500 PHS	1451112	ACTIVE	④
	Plastic Expansion Nut - 250 Spacer	9989329	ACTIVE	4
⑮	Cable Assembly - 12 Pos. Ribbon Wire	1451117	ACTIVE	①

**SNACKTRON 1**

<b>Index No.</b>	<b>Description</b>	<b>Part No.</b>	<b>Note*</b>	<b>No. Req.</b>
16	Cover - Control Panel attaching part	1451084	OBS	1
	Screw No.8-32 x .31 Hex Hd. T/F Black	1451097	ACTIVE	4
17	Wire Clamp - .302 Dia. (on 1451034 & 1045)	2221049	ACTIVE	1
18	Transformer Assembly attaching part	1451076	RB9989013	1
	Screw No.8-32 x 1.25 Hex Hd. T/F			4
19	Bracket - Chassis attaching part	1451110	ACTIVE	1
	Screw No. 8-32 x .31 Hex Hd. T/ F Black	1451097	ACTIVE	2
20	Jumper - Power to Transformer	1451125	ACTIVE	1
21	Screw (For Ground)	9900173	ACTIVE	1
22	Washer (Next to Chassis)	6131148	ACTIVE	1
23	Fuse 3/4 Amp	1451141	ACTIVE	1
24	Terminal Board Assembly attaching part	1451127	RB1451206	1
	Screw No.8-32 x .31 Hex Hd. T/F Black	1451097	ACTIVE	2
	Controller PCB & Component Assembly - Mars (Data, Retrieval)	1451034?	RB1451230	Ref
	Controller PCB & Component Assembly - CA	1451035?	RB1451230	Ref
	Controller PCB & Component Assembly - CA (Data Retrieval)	1451036?	RB1451230	Ref
25	PCB & Panel Assembly - Data Retrieval	1451126	ACTIVE	1
25a	Label - Data Retrieval	1451119	OBS	1
25b	Panel - PCB - Data Retrieval attaching part	1451111	OBS	1
	Screw No.6-32 x 1/4 RHS	9900003	ACTIVE	2
25c	PCB Assembly - Data Retrieval	1451103	OBS	1

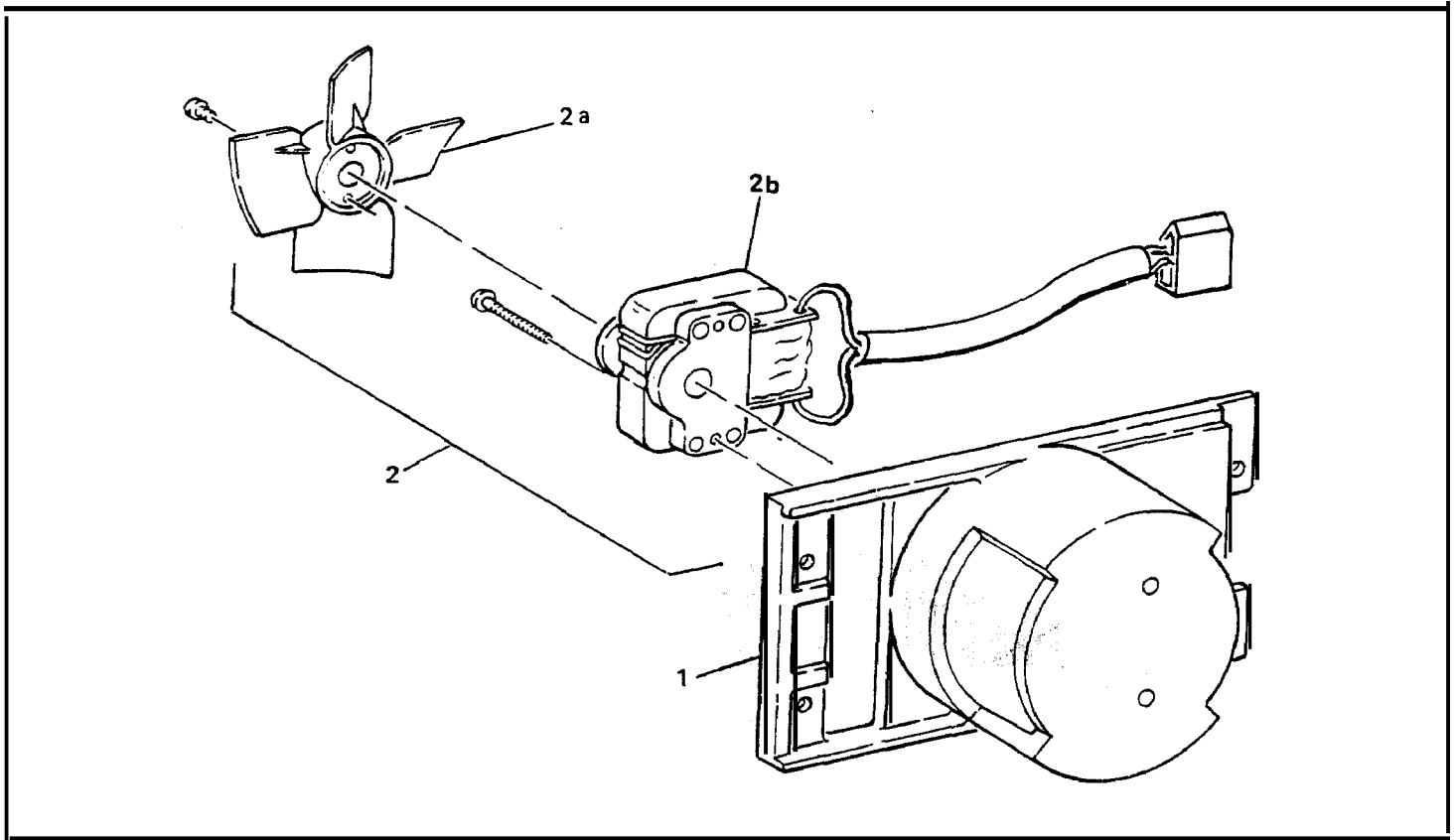


Figure 4-11. Fan and Housing Assembly

Index NO.	Description	Part Number	Note*	No. Req.
	Fan and Housing Assembly (See Figure/Index 4-2/3 next higher assembly)	1451088	ACTIVE	Ref
1	Fan Housing	1450189	OBS	1
2	Exhaust Fan Motor and Blade Assembly	1451090	OBS	1
2a	Exhaust Fan Blade attaching parts	1451092	ACTIVE	1
	No.3-48 x .25 BHS Screw	1411192	ACTIVE	2
2b	Exhaust Fan Motor attaching parts	1451091	OBS	1
	No.10-32 x 5/8 RHS Screw	1277102	ACTIVE	2

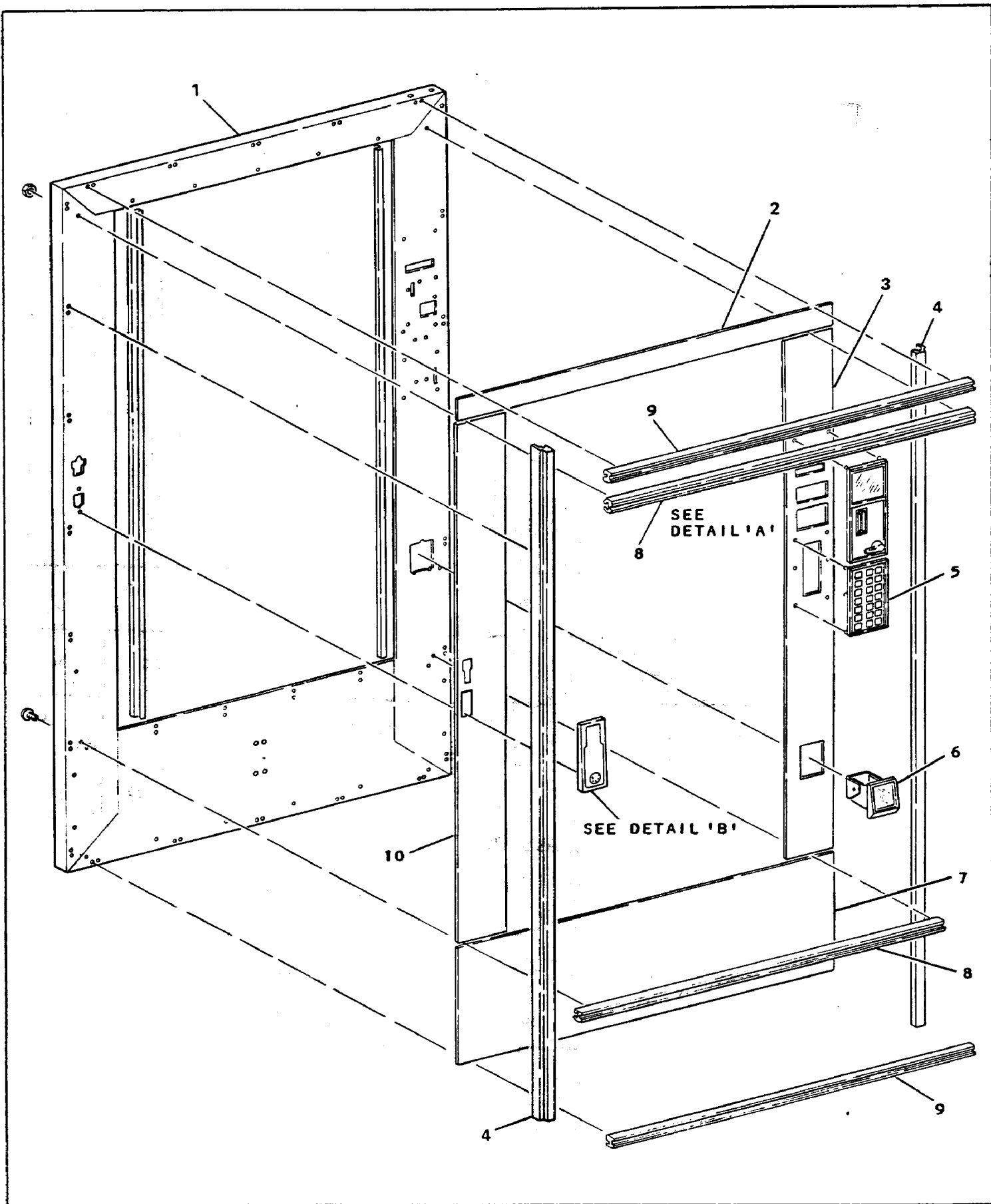


Figure 4-12. Door Assembly (1 of 3)

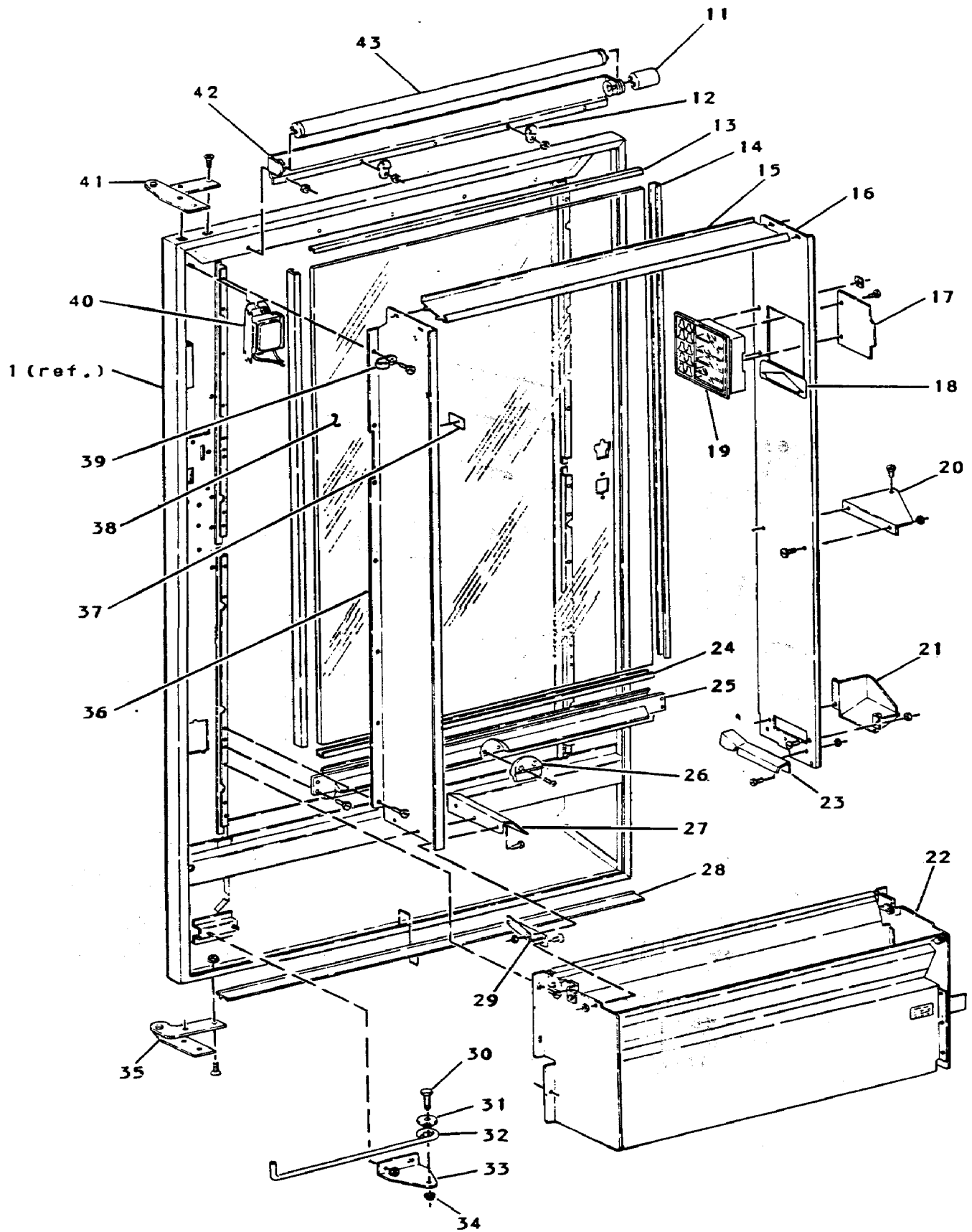
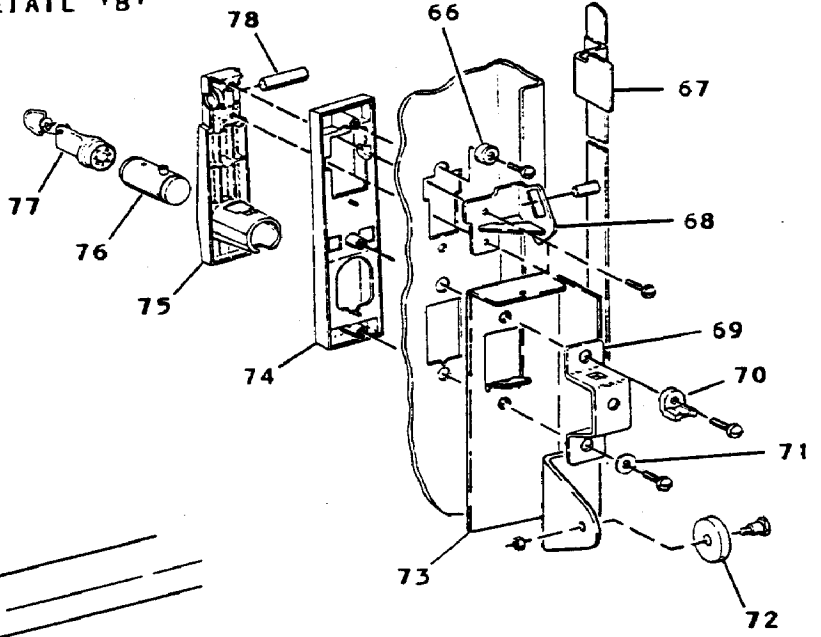


Figure 4-12. Door Assembly (2 of 3)

DETAIL 'B'



DETAIL 'A'

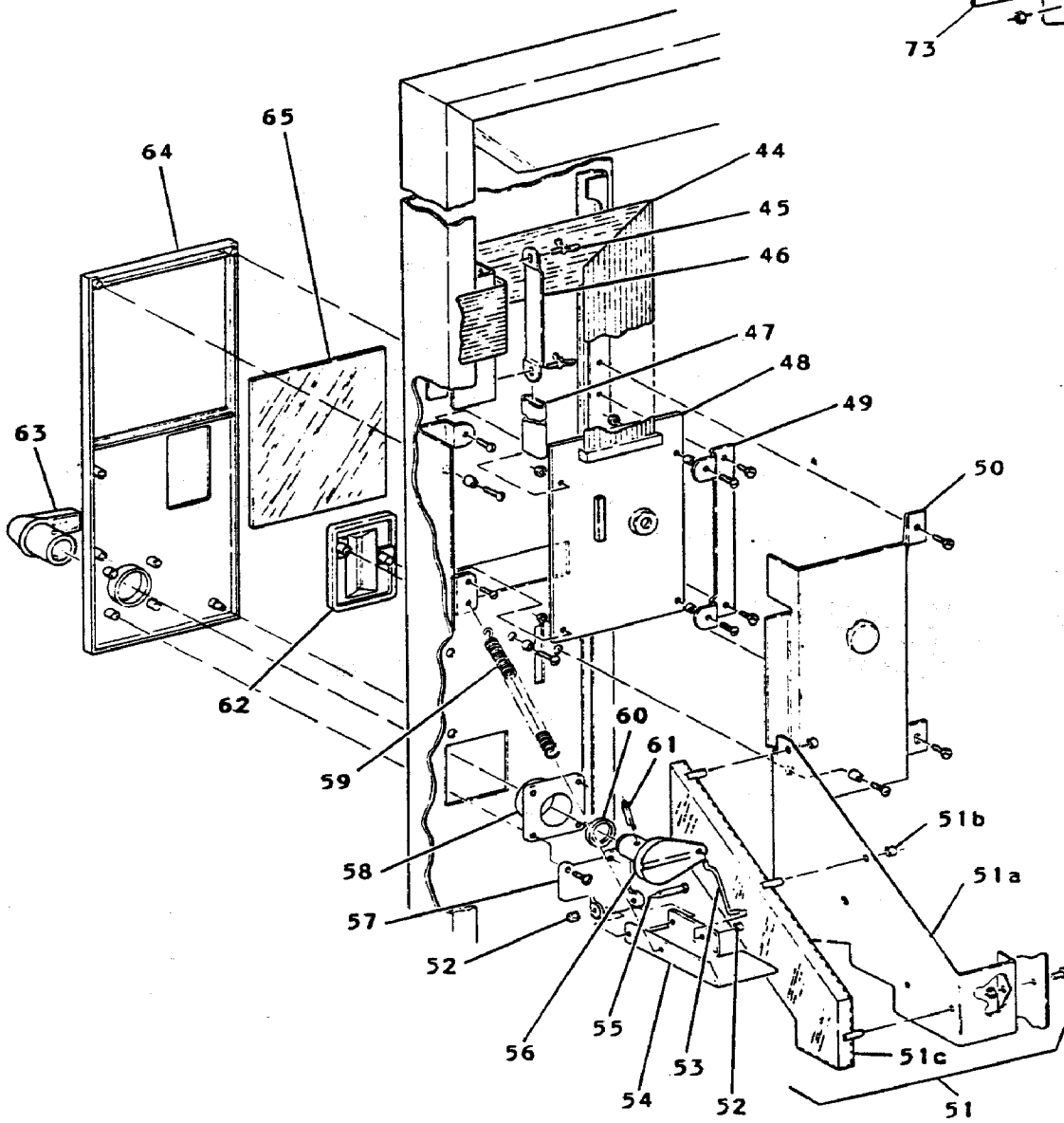


Figure 4-12. Door Assembly (3 of 3)



SNACKTRON 1

Index No .	Description	Part Number	Note*	No. Req.
	Door Assembly - Final Imperial Crown See Figure/Index 4-1/2 for next higher' Assembly	1452021	OBS	Ref
1	Door Assembly	1452302	OBS	1
2	Panel - Top Trim Presidential Walnut Optional	1452062	ACTIVE	1
	Trim Panel - Top Blank - Walnut	1452115	ACTIVE	1
	Trim Panel - Top Blank - Enameled	1452116	ACTIVE	1
	Trim Panel - Top Formica - Laminated	1452117	ACTIVE	1
	Trim Panel - Top Blank - Honey Tone Teak/Vinyl	1452118	ACTIVE	1
	Trim Panel - Top Blank - Regency Walnut Vinyl	1452119	OBS	1
	Trim Panel - Top Blank - Rosewood Vinyl	1452120	ACTIVE	1
	Trim Panel - Top Blank - Stainless	1452121	ACTIVE	1
	Trim Panel - Top Blank - Blue Fleece	1452122	OBS	1
	Trim Panel - Top Blank - Green Fleece	1452123	OBS	1
	Trim Panel - Top Blank - Yellow Fleece	1452124	OBS	1
3	Panel - R.H. Trim-Port-Au-Prince Optional	1452065	ACTIVE	1
	Trim Panel - Right - Presidential Walnut	1452132	ACTIVE	1
	Trim Panel - Right - Enameled	1452133	OBS	1
	Trim Panel - Right - Stainless	1452134	OBS	1
	Trim Panel - Right - Formica - Laminated	1452135	OBS	1
	Trim Panel - Right - Honey tone Teak Vinyl	1452136	OBS	1
	Trim Panel - Right - Regency Walnut Vinyl	1452137	OBS	1
	Trim Panel - Right - Rosewood Vinyl	1452138	RB1452321	1
4	Trim - Door Side attaching parts	1302049	OBS	2
	No.6 x 7/16 RHS Screw - Sheet Metal	1302282	ACTIVE	14
5	Push Button Grip Assembly See Figure 4-13	1452024	ACTIVE	1
6	Coin Receptacle Assembly See Figure 4-14	1452030	ACTIVE	1
7	Panel - Bottom Trim - Presidential Walnut	1452063	ACTIVE	1
	Panel - Bottom Trim - Slate Vinyl	1452213	ACTIVE	1
8	Horizontal Door Trim Assembly attaching parts	1302408	ACTIVE	2
	"T" Bolt - Trim-3/4 (Trim and Light Bracket)	2222031	ACTIVE	5
	"T" Bolt - Trim-3/4 (Trim Top and Bottom )	2222110	ACTIVE	8
	Nuts No.8-32 W/LW (Top and Bottom Trim to Door)	9900081	ACTIVE	13
9	Top and Bottom Door Trim Assembly attaching parts	1302407	ACTIVE	2
	No.6 x 7/16 RHS Screw Sheet Metal	1302282	RBG1472028	10

SNACKTRON 1

Index No.	Description	Part No.	Note*	No. Req.
10	Panel - L.H. Trim Port-Au-Prince Optional	1452064	ACTIVE	1
	Trim Panel Left - Presidential Walnut	1452125	RB1452082	1
	Trim Panel Left - Enameled	1452126	ACTIVE	1
	Trim Panel Left - Stainless	1452127	ACTIVE	1
	Trim Panel Left - Formica - Laminated	1452128	OBS	1
	Trim Panel Left - Honey tone Teak Vinyl	1452129	ACTIVE	1
	Trim Panel Left - Regency Walnut nut Vinyl	1452130	OBS	1
	Trim Panel Left - Rosewood Vinyl	1452131	OBS	1
	Trim Panel Left - Pewter Vinyl	1452212	OBS	1
11	Starter - Fluorescent Light FS-25	2302218	ACTIVE	1
12	Retainer - Harness	1452139	ACTIVE	2
13	Channel - Glass - Horizontal	1172041	ACTIVE	1
14	Channel - Glass - Vertical	1452068	ACTIVE	2
15	Shield - Light	1452145	ACTIVE	1
16	End Plate - Display - L.H. attaching part	1452066	RB1452158	1
	Screw No.8-32 x .31	1451097	ACTIVE	
17	Cover - Gum & Mint Display attaching parts	1452216	ACTIVE	1
	Screw No.8-32 x .31 Hex Hd. T/F Black	1451097	ACTIVE	2
18	Label Arrow Gum & Mint	1459023	ACTIVE	1
19	Insert & Display Assembly - Gum & Mint attaching parts	1452038	ACTIVE	1
	Push-On Retainer-3/16	1122144	ACTIVE	2
20	Gusset - Display End Plate - L.H. attaching parts	1452045	ACTIVE	1
	Screw No.8-32 x 3/8 THS - Black	1170206	ACTIVE	2
	Screw No.8-32 x .31 Hex Hd. T/F Black	1451056	RB9900106	1
	Nut No.8-32 W/L.W.	9900081	ACTIVE	2
21	Cup - Chute - Gum & Mint attaching parts	1452077	ACTIVE	1
	Screw Flat Head			
	Nut			
22	Delivery Pan Assembly See Figure 4-15 attaching parts	1452100	OBS	1
	Screw No.8-32 x .31 Hex Hd. T/F Black	1451097	ACTIVE	6

SNACKTRON 1

Index No.	Description	Part No.	Note*	No. Req.
23	Deflector (Product) L.H. attaching parts	1452047	ACTIVE	1
	Screw No.8-32 x .31 Hex Hd. T/F Black	1451097	ACTIVE	3
24	Channel - Glass - Lower	1402120	ACTIVE	1
25	Panel - Glass Lower attaching parts	1412012	OBS	1
	Screw No.8-32 x .31 T/F Black	1451097	ACTIVE	4
26	Retainer Door Pivot attaching parts	1452072	ACTIVE	1
	Screw No.8-32 x .31 Hex Hd. T/C	1451056	RB9900106	2
27	Deflector - Product R.H. attaching parts	1452046	ACTIVE	1
	Screw No.8-32 x .31 Hex Hd. T/F Black	1451097	ACTIVE	3
28	Strip - Filler - Sanitation	6132415	OBS	1
29	Support End Plate R.H. attaching part	1452067	ACTIVE	1
	Screw No.8-32 x 3.8 THS Black	1170206	ACTIVE	1
	Nut No.8-32W/L.W.	9900081	ACTIVE	1
30	Bolt, Main Shaft-Hex	1106657	ACTIVE	1
31	Bushing, Door Check	1142017	ACTIVE	1
32	Arm, Door Check	1452056	ACTIVE	1
33	Plate, Door Check attaching parts	1452055	ACTIVE	1
	Nut No.1/4-20Keps" Conical Serrated Washer Ad.	1172021	ACTIVE	2
34	Nut, No.1/4-20 "Keps" Conical Serrated Washer Ad.	1172021	ACTIVE	1
35	Hinge Assembly - Lower Door attaching parts	3102058	RB3122207	1
	Screw No.1/4 - 20 x 5/8 Flat Ad	1172020	RB1472262	
	Nut No.1/4 - 20 "Keps" Conical Serrated Washer Ad.	1172021	ACTIVE	1
36	End Plate -Display R.H. attaching parts	1452048	OBS	1
	Screw No.8-32 x .31 Hex Ad. T/F Black	1451097	ACTIVE	1
37	Label Model Designation	1452079	RB1472262	1
38	Glass - Display Optional	1452059	ACTIVE	1
	Glass Display - Plexiglas	1452080	OBS	1
	Glass Display - Lexan	1452210	ACTIVE	1

SNACKTRON 1

Index No.	Description	Part No.	Note*	Req. No.
39	Cable Clamp - 7/16	3102348	ACTIVE	1
40	Ballast Assembly - Display attaching part	6152188	ACTIVE	1
	Nut No. 8-32W/LW	9900081	ACTIVE	1
41	Hinge Assembly - Upper Door attaching parts	3102055	ACTIVE	1
	Screw No.1/4-20 x 5/8 Flat Hd.	1172020	RB1472262	2
	Nut No. 1/4-20 "Keps" Conical Serrated Washer	1172021	ACTIVE	2
(42)	Light Assembly - Upper Door See Figure 4-16 attaching parts	1452033	ACTIVE	(1)
	Nut No .8-32W/L.W.	9900081	ACTIVE	5
43	Fluorescent Lamp - 25 Watt	1172115	ACTIVE	1
(44)	Cable Assembly - Ribbon	1452075	ACTIVE	(1)
45	Thumb Screw	4021056	RB2206028	2
46	Clamp - Wire	1451042	ACTIVE	1
47	Cover Clamp	1451043	ACTIVE	1
(48)	PCB Assembly - Display #1 attaching parts	1452073	RB9989803	(1)
	Screw No.8-32 x .31 Hex Hd. T/F Black	1451097	ACTIVE	
	Nut No.8 W/LW	9900081	ACTIVE	4
	Spacer	2302053	ACTIVE	2
49	Bracket - PCB Board attaching parts	1452070	OBS	1
	Screw No.8-32 x .31 Hex Hd. T/F Black	1451097	ACTIVE	2
(50)	Cover - Display - PCB Assembly attaching parts	1452017	ACTIVE	(1)
	Screw No.8-32 x .31 Hex Hd. T/F Black	1451097	ACTIVE	2
(51)	Plate and Coin Chute Assembly - Upper	1452084	ACTIVE	(1)
(51a)	Plate - Coin Chute attaching parts	1452086	ACTIVE	(1)
	Screw No.8-32 x 3/8 THS Black	1170206	ACTIVE	1
	Nut No.8-32W/L.W.	9900081	ACTIVE	1
51b	Speed Clip- Compression Ring	2366055	ACTIVE	6
51c	Chute - Coin	1452085	ACTIVE	1

**SNACKTRON 1**

<b>Index No.</b>	<b>Description</b>	<b>Part Number</b>	<b>Note*</b>	<b>No. Req.</b>
52	Speed Clip - Compression Ring	2366055	ACTIVE	2
53	Link - Scavenger	1452054	ACTIVE	1
54	Arm - Scavenger	1452053	ACTIVE	1
55	Latch Pin	1127837	ACTIVE	1
56	Cam Scavenger	1452060	ACTIVE	1
57	Bracket - Scavenger Pivot attaching parts	1452052	ACTIVE	1
	Screw No.8-32 x .31 Hex Hd. T/C	1451056	RB9900106	2
58	Bearing - Scavenger	1402014	ACTIVE	1
59	Spring - Scavenger Pivot	1144014	ACTIVE	1
60	Washer, Steel - 1.00 x -.567 x .060	1402054	ACTIVE	1
61	Pin - Cotter	9900098	ACTIVE	1
62	Coin Insert attaching parts	1452061	RB1472223	1
	Spacer Cup	2302053	ACTIVE	2
	Screw No.8-32 x .38 Hex Hd. T/F	1437204	ACTIVE	2
63	Handle - Scavenger	1402037	RB1452193	1
64	Casting - Scavenger and Readout attaching parts	1452050	ACTIVE	1
	Spacer Cup	2302053	ACTIVE	5
	Screw No.8-32 x .38 Hex Hd. T/F	1437204	ACTIVE	5
65	Insert - Instruction	1452022	ACTIVE	1
66	Spacer, Cup	1302289	ACTIVE	1
67	Lock Bar and Stud Assembly - L.H.	1452018	ACTIVE	1
68	Actuator Lock Bar - L.H.	1452013	ACTIVE	1
69	Catch, Door Latch	3112195	ACTIVE	1
70	Shield, Latch attaching part	1302326	ACTIVE	1
	No.10-32 x 1/2 RHS W/LW	1217161	RB9900170	Ref
71	Washer, Steel, 7/16 x .203 x .062	9900067	ACTIVE	1
72	Roller, Door attaching parts	1452058	ACTIVE	1
	No.10-32 Self Locking Nut Bolt	1407048	RB9900206	1

SNACKTRON 1

Index No.	Description	Part No.	Note*	No. Req.
73	Bracket - Door Roller	1452057	ACTIVE	1
74	Base - lever Lock attaching part No.10-32 x 1/2 RHS W/LW	1172191	ACTIVE	1
		1217161	RB9900170	3
75	Lever, Lock	1172190	ACTIVE	1
76	Cylinder, Flex-Ace Lock	9992000	ACTIVE	1
77	Key, Flex-Ace Lock	9994000	RB9994400	1
	Key, Van Lock	3112164	ACTIVE	1
78	Pivot, Lever Lock	1302291	ACTIVE	1

SNACKTRON 1

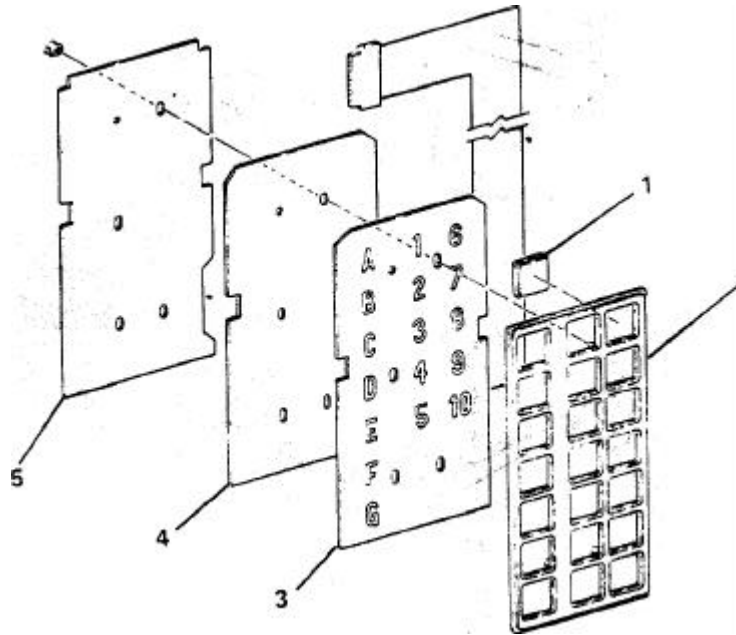


Figure 4-13. Push Button Grid Assembly

Index No.	Description	Part Number	Note*	No. Req.
	Push Button Grid Assembly (See Figure/Index 4-12/5 for next assembly)	1452024	ACTIVE	Ref
1	Push Button Lens	1452027	1472251	21
2	Push Button Grid attaching parts	1452026	ACTIVE	1
	Compression Ring Speed Clip	2366055	ACTIVE	5
3	Push Button Letter Sheet	1452028	RB9989428	1
4	P/C Membrane Switch Selection Assembly	1452029	ACTIVE	1
5	Push Button Backup Plate	1452025	ACTIVE	1

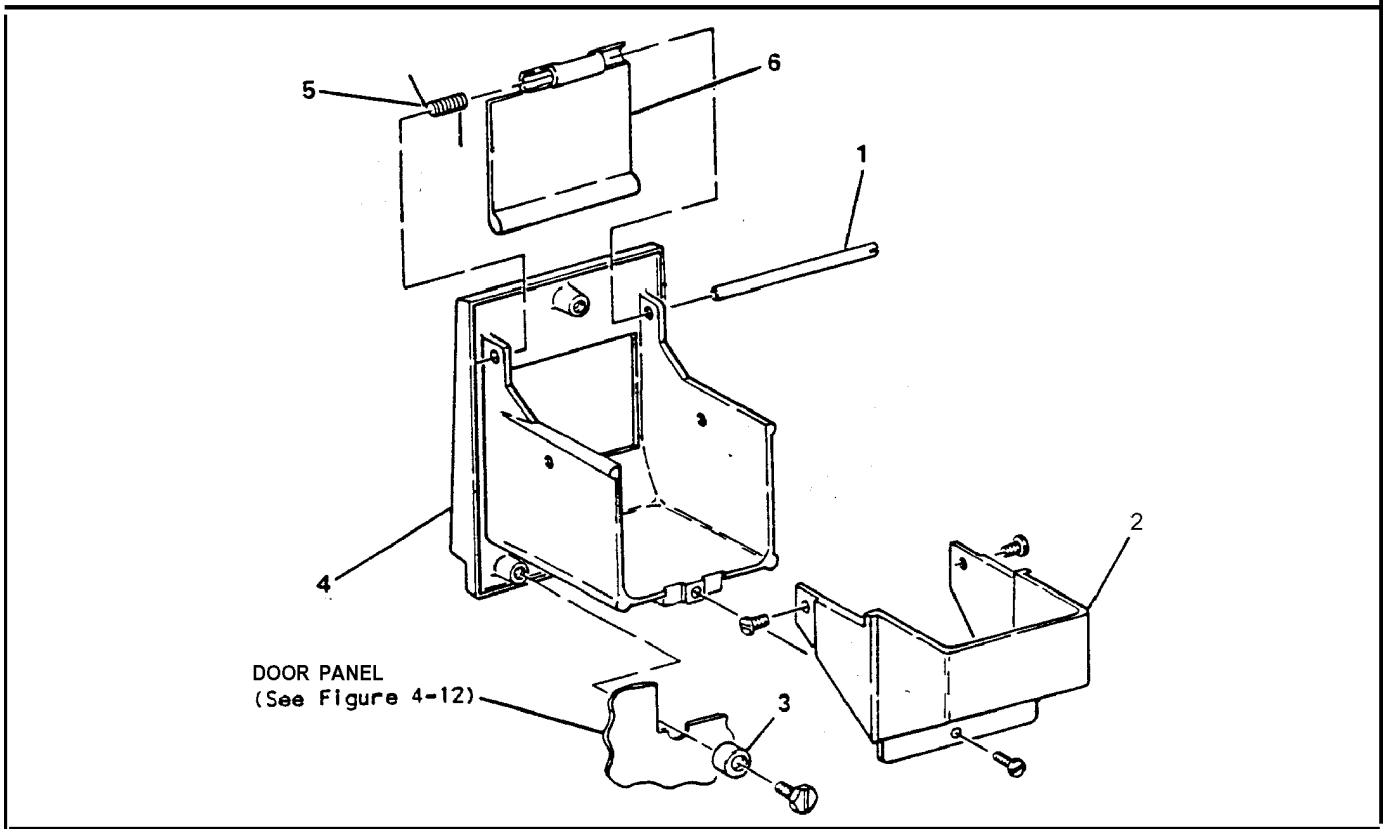


Figure 4-14. Coin Receptacle Assembly

Index	Description	Part #	Note*	No. Req.
	Coin Receptacle Assembly See Figure/Index 4-12/6 for next higher assembly)	1452030	ACTIVE	Ref
1	Pin - Gate	1272039	ACTIVE	1
2	End - Coin Cup attaching parts No.6-20 x 3/8 PHS T/C Screw	1452031 9900203	ACTIVE ACTIVE	1 3
3	Spacer, Cup	2302053	ACTIVE	3
4	Coin Receptacle attaching parts No.8-32 x 5/16 RHS T/C	1272131 9900174	ACTIVE ACTIVE	1 3
5	Spring, Coin Return Door	1212117	ACTIVE	1
6	Gate, Coin Receptacle	1272132	ACTIVE	1



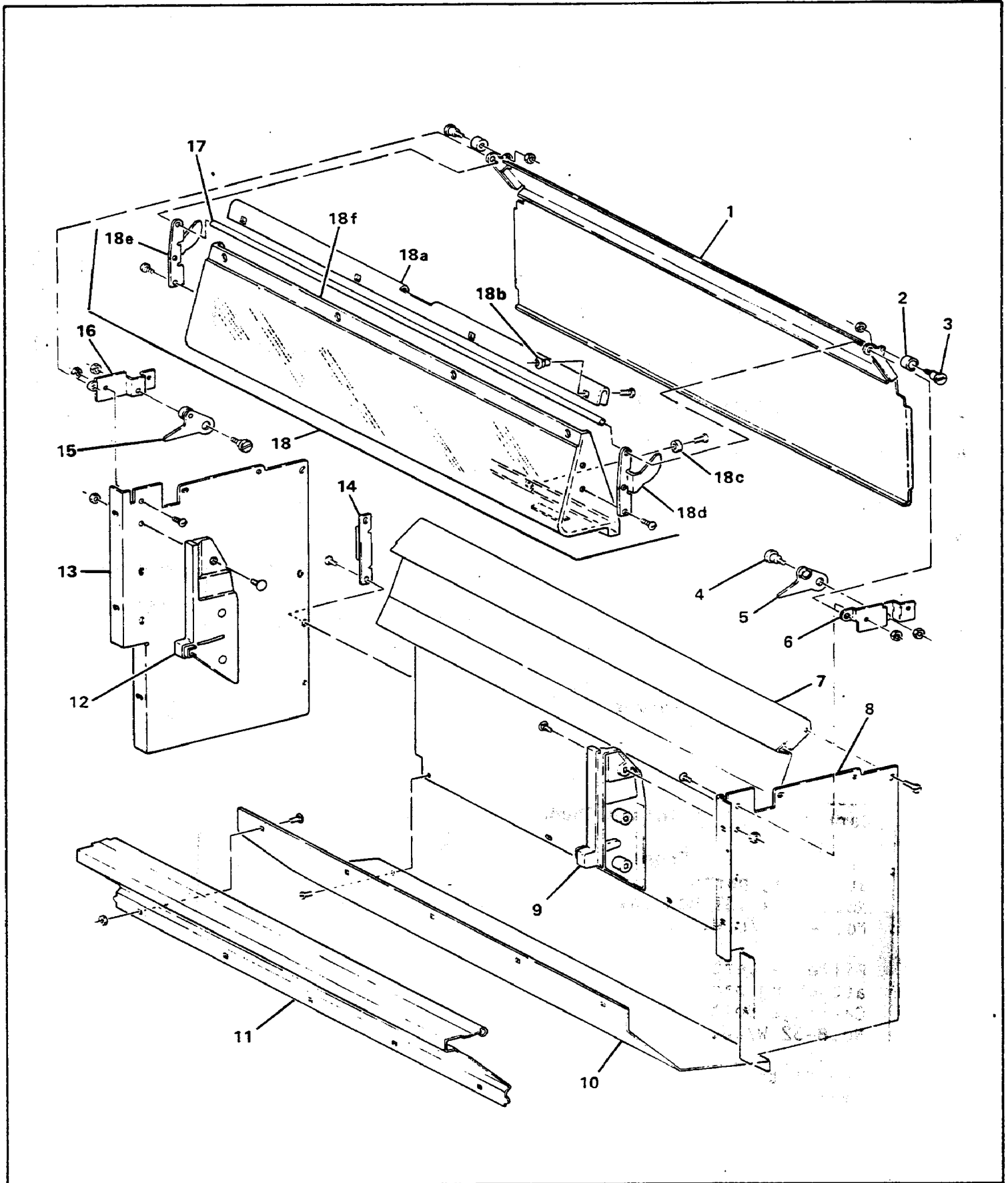


Figure 4-15. Delivery Pan Assembly

SNACKTRON 1

Index No	Description	Part Number	Note*	No. Req.
	Delivery Pan Assembly See Figure/Index 4-12/22 for next higher assembly)	1452100	OBS	Ref
1	Pilferage Door & Channel Assembly	1412032	OBS	1
2	Roller - Door Actuator	1412089	ACTIVE	2
3	Stud - Door Actuator	1412090	ACTIVE	2
	attaching part			
	No.8-32 Self Locking Black Nut	1412046	ACTIVE	2
4	Stud - Actuator - Plate Pivot	1412045	ACTIVE	2
	attaching part			
	No. 10-32 Self f Locking Nut	1407048	RB9900206	2
5	Actuator Plate & Roller Assembly R.H.	1412094	RB1452141	1
6	Bracket - Door Pivot - R.H.	1412021	ACTIVE	1
	attaching part			
	No.8-32 x 3/8 THS Black Screw	1170206	ACTIVE	4
1	Back Panel - Delivery Pan	1452103	ACTIVE	1
8	End Plate - Delivery -Pan-R.H.	1452101	RB1452159	1
	attaching part			
	No.8-32 x .31 Hex Hd. T/F Black Screw	1451097	ACTIVE	4
9	Filler - Right	1412022	ACTIVE	1
	attaching parts			
	Carriage Bolt - Torque Channel	1306140	ACTIVE	3
	No.8-32 W/L.W. Nut	9900081	ACTIVE	3
10	Bottom Panel - Delivery Pan	1452105	ACTIVE	1
	attaching parts			
	Carriage Bolt - Torque Channel	1306140	ACTIVE	5
11	Delivery Pan - Front	1412061	ACTIVE	1
	attaching parts			
	No.8-32 x .31 Hex Hd. T/F Black Screw	1451097	ACTIVE	5
	No.8-32 W/L.W. Nut	9900081	ACTIVE	5
12	Filler - Left	1412023	ACTIVE	1
	attaching parts			
	Carriage Bolt - Torque Channel	1306140	ACTIVE	3
	No.8-32 W/L.W.	9900081	ACTIVE	3
13	End Plate - Delivery Pan-L.H.	1452102	RB1452160	1
	attaching part			
	No.8-32 x .31 Hex Hd. T/F Black Screw	1451097	ACTIVE	4
14	Actuator - Interlock Switch	1452104	ACTIVE	1

**SNACKTRON 1**

<b>Index No.</b>	<b>Description</b>	<b>Part No.</b>	<b>Note*</b>	<b>No. Req.</b>
15	Actuator Plate & Roller Assembly L. H.	1412095	RB1452144	1
16	Bracket - Door Pivot L.H.	1412024	ACTIVE	1
17	Shaft - Door Pivot attaching part	1412044	RB1472228	1
	No.8-32 Self Locking - Black Nut	1412046	ACTIVE	2
18	Delivery Door Assembly	1412060	OBS	1
18a	Channel - Door attaching part	1412028	ACTIVE	1
	No.8-32 x 3/8 THS - Black Screw	1170206	ACTIVE	4
18b	No.8-32 Carriage Nut	1402052	ACTIVE	4
18c	Bumper attaching part	2222109	ACTIVE	3
	No.6-20 x 3/8 PHS T/C Screw	9900203	ACTIVE	3
18d	Actuator - Delivery Door R.H. attaching parts	1452214	ACTIVE	1
	No.8-32 x 3/8 THS - Black Screw	1170206	ACTIVE	2
	No.8-32 x Self Locking - Black Nut	1412046	ACTIVE	2
18e	Actuator - Delivery Door L.H. attaching parts	1452215	ACTIVE	1
	No.8-32 x 3/8 THS - Black Screw	1170206	ACTIVE	2
	No.8-32 Self Locking - Black Nut	1412046	ACTIVE	2

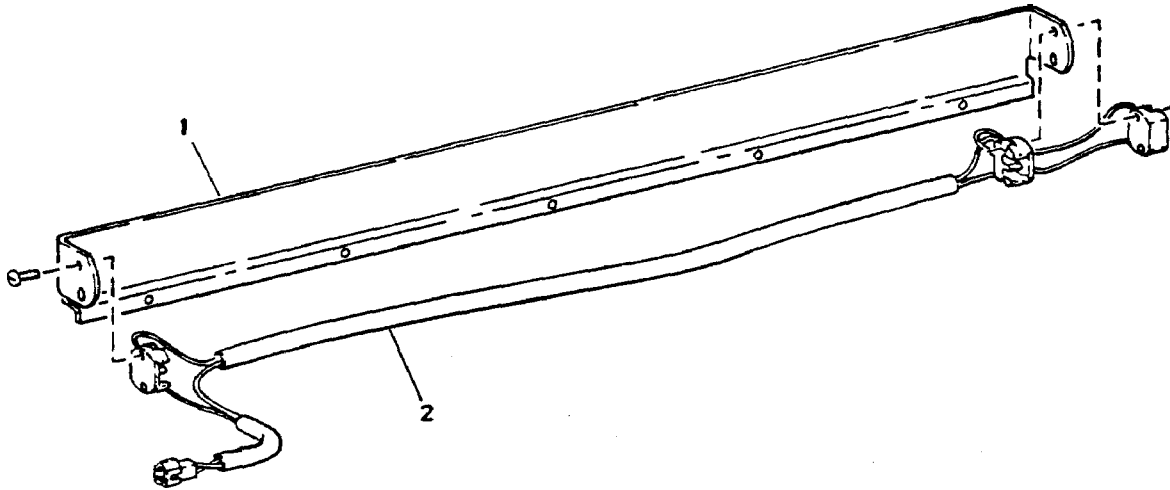


Figure 4-16 Upper Door Light Assembly

Index No	Description	Part Number	Note*	No. Req.
	Upper Door Light Assembly See Figure/Index 4-12/42 for next higher assembly)	1452033	ACTIVE	Ref.
1	Bracket - Light Tube	1452034	RB1572039	1
2	Harness - Fluorescent Light (NOTE: Furnished with (2) #4-36 x 7/16 & (2) #4-36 x 3/4 Mounting Screws)	1452042	ACTIVE	1

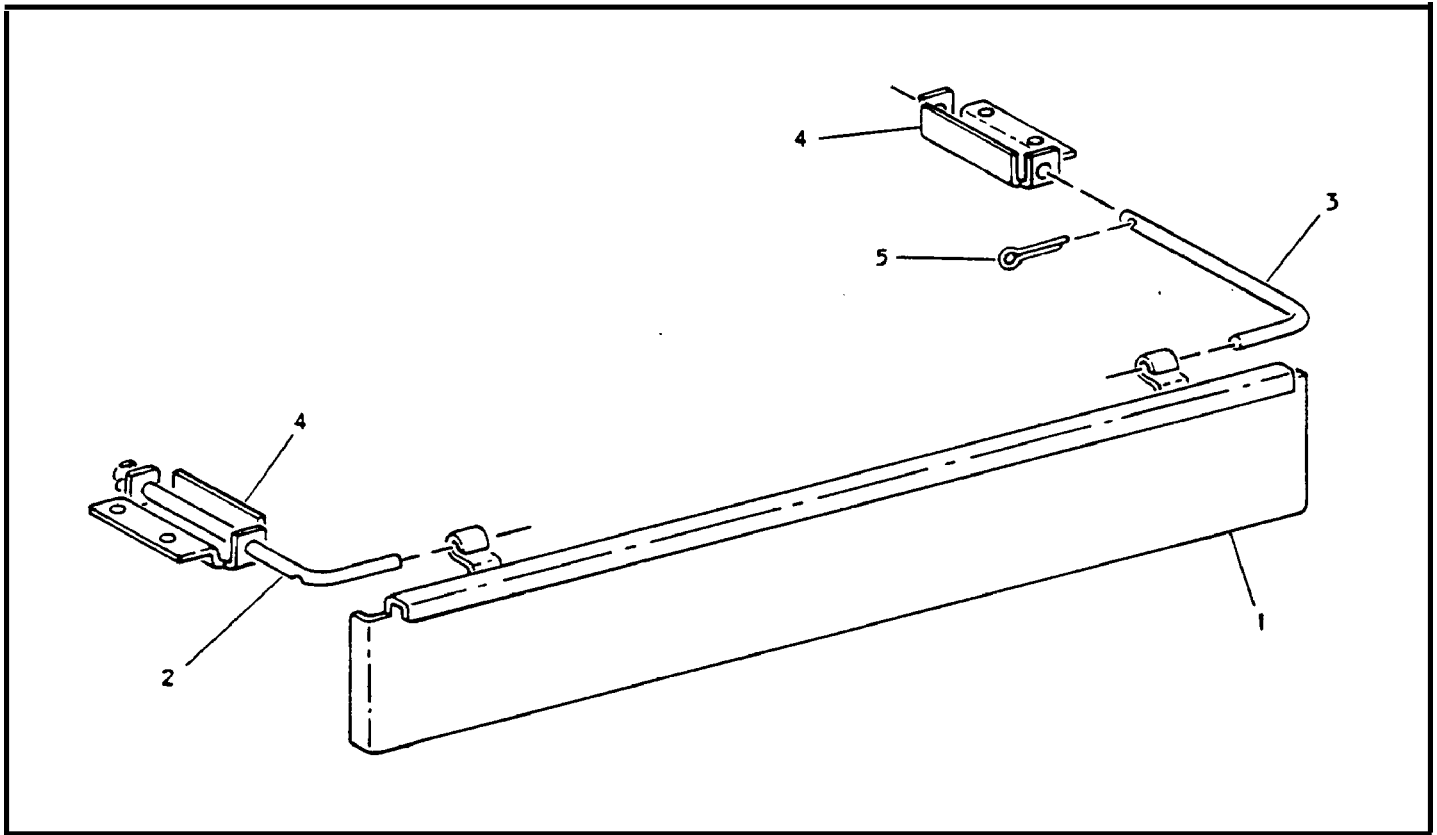


Figure 4-17. Base Plate Assembly

Index No.	Description	Part Number	Note*	Req. No.
	Base Plate Assembly: Nu-Gray	227-1050	RB2271407	Ref.
	:Award	227-1051	RB2271407	Ref.
	(See Figure/Index 4-1/11 for next higher Assembly)			
1	Base Plate Assembly-Hinged: Nu-Gray	227-1401	RB2271408	1
	Award	227-1020	RB2271408	1
2	L.H. Slide	141-1195	ACTIVE	1
3	R.H. Slide	141-1194	ACTIVE	1
4	Bracket	141-1193	ACTIVE	2
5	3/32 - 3/4 Cotter Pin	9900-098	ACTIVE	2

Notes -