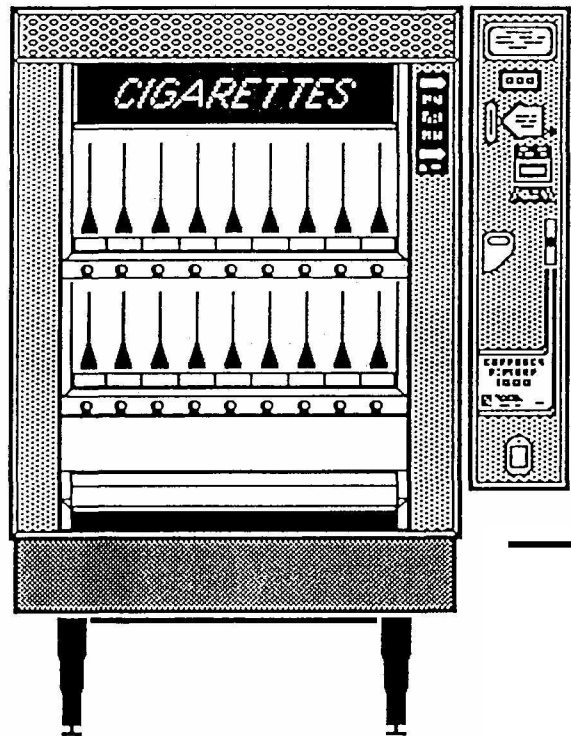
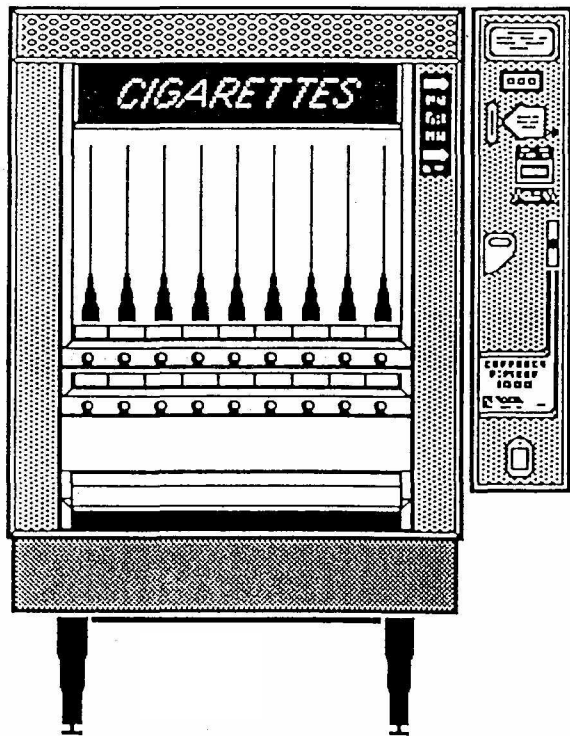


THE
DUAL - PRICE
CURRENCY PARTNER 1000
CONVERSION SYSTEM

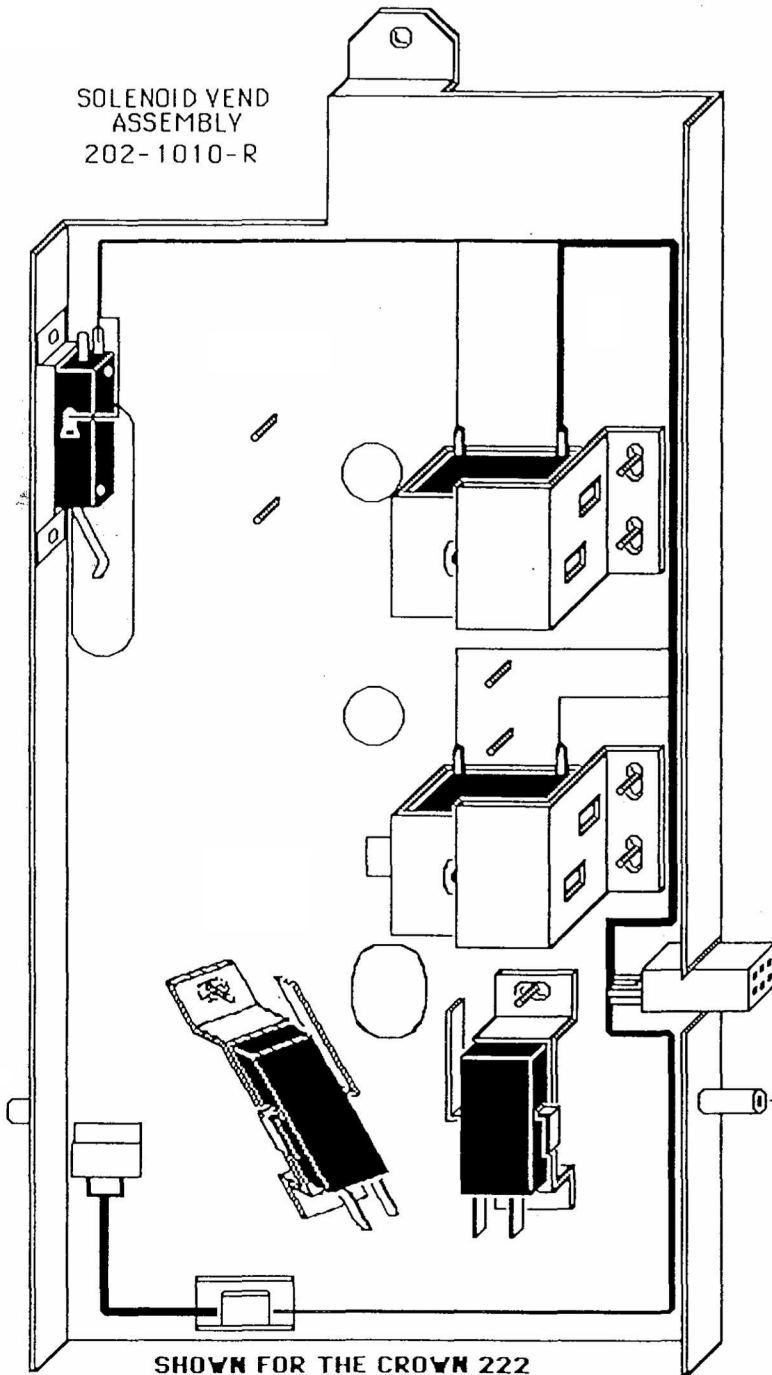
FOR THE
NATIONAL VENDORS CROWN 222
NATIONAL VENDORS CROWN 800
INSTALLATION, PARTS AND SERVICE



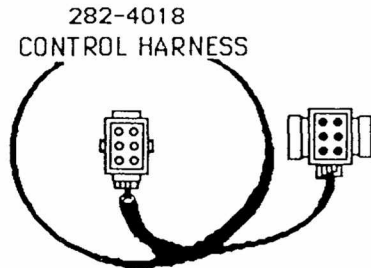
2062 E. 70TH STREET, CLEVELAND, OH 44103
(216) 361-1022 OR TOLL FREE (800) 445-8363

VENDING, INC.

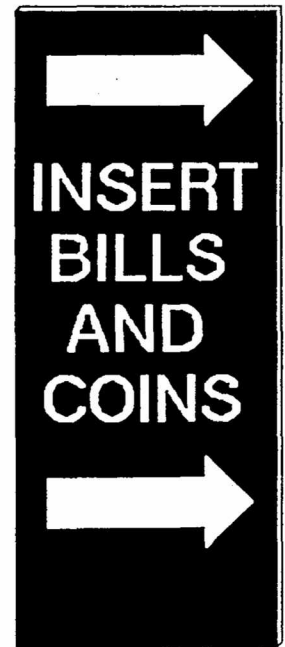
DUAL-PRICE
CURRENCY PARTNER 1000
NATIONAL 222 AND 800
PARTS



8/32 x 3/8" SCREW

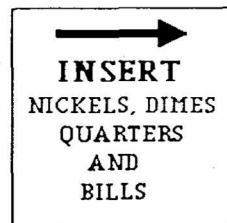


282-3022

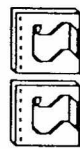


COIN COVER PANEL

WASHER



282-3016



STRAP



2062 E. 70TH STREET, CLEVELAND, OH 44103
(216) 361-1022 OR TOLL FREE (800) 445-8363

INSTALLATION INSTRUCTIONS

NATIONAL 222 / 800 CIGARETTE

DISCONNECT ALL POWER FROM VENDOR BEFORE STARTING CONVERSION

- A. REVIEW THIS MANUAL BEFORE STARTING THIS CONVERSION.
- B. CHECK PARTS WITH THE PARTS LIST ON PAGE 1.
- C. REMOVE DOOR FROM VENDOR AND SET IT ASIDE FOR NOW.
- D. LOOSEN MECHANISM ASSEMBLY LATCHES AT LOWER LEFT AND RIGHT SIDES AT RED PLATE (WING NUT)
- E. SLIDE RIGHT SIDE OF MECHANISM ASSEMBLY OUT SO YOU CAN WORK ON THE ACMR.
- F. REMOVE COIN ACCEPTOR, REMOVE ACMR CAM AND THE ACMR.
- G. IF THE UNIT IT AN NATIONAL 800.
REMOVE THE LOW PRICE VEND LEVER AND SPRING.
REMOVE THE SPRING ON THE MIDDLE PRICE PRICE LINKAGE.

NOTHING MORE NEED BE REMOVED FROM THE SIDE PANEL.
SAVE ALL PARTS THAT WERE REMOVED.



2062 E. 70TH STREET, CLEVELAND, OH 44103
(216) 361-1022 OR TOLL FREE (800) 445-8363

INSTALLATION INSTRUCTIONS

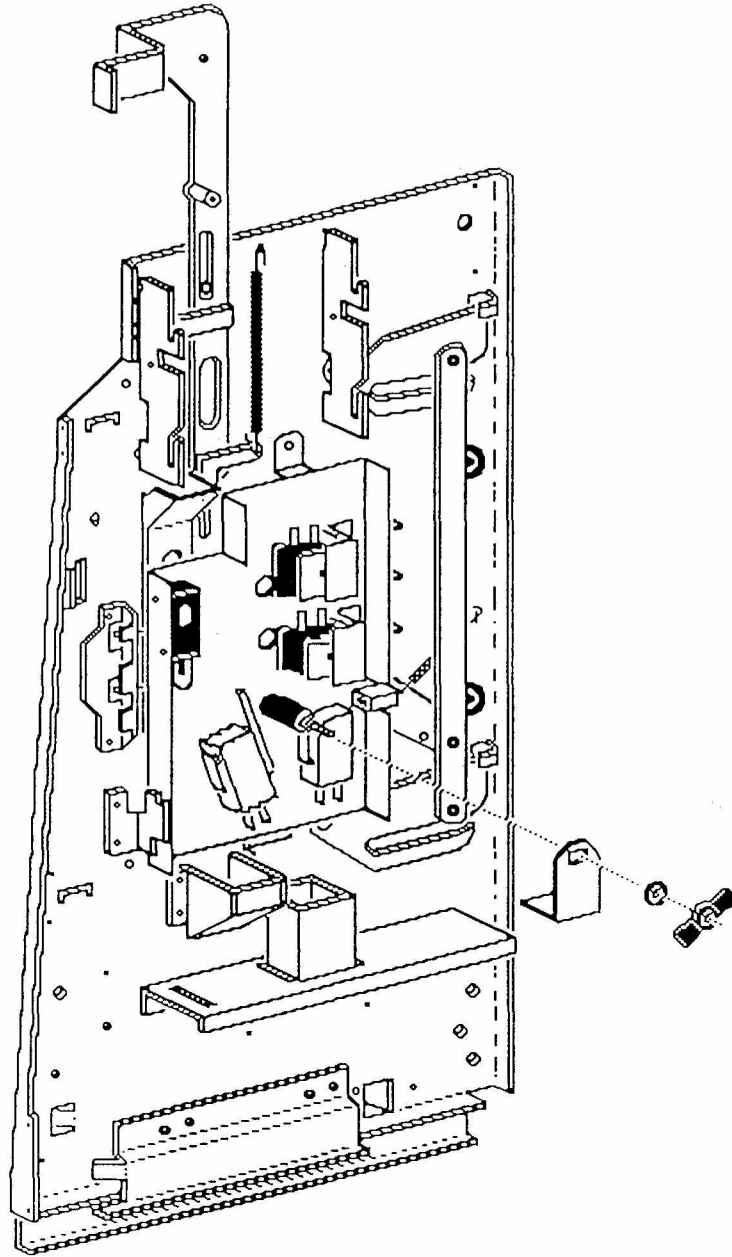
1. GET THE SOLENIOD VEND ASSEMBLY. IT IS SET UP FOR THE 222. IF YOU ARE CONVERTING AN 800 THE SOLENOID AND BRACKET MUST BE MOVED TO THE UPPER TWO BOLTS.
2. PLACE THE #10 SMALL FLAT WASHER OVER THE POST ON THE LOWER RIGHT SIDE OF THE SOLENOID VEND ASSEMBLY. MOUNT THE SOLENOID VEND ASSEMBLY IN PLACE OF THE A.C.M.R., MAKE SURE THE FLAT WASHER IS INSIDE THE LOWER RIGHT BRACKET. (BETWEEN THE SOLENIOD VEND ASSEMBLY AND BRACKET).
3. GET THE CAM ASSEMBLY, FLAT WASHER AND THE WING NUT THAT YOU TOOK OFF THE ACMR, AND PLACE THE CAM ON THE POST, PUT THE WASHER AND WING NUT ON AND TIGHTEN. AT THIS TIME THE CANCEL SWITCH SHOULD BE ADJUSTED. NOTE: THERE IS A SLOT AT THE TOP OF THE SWITCH BRACKET FOR ADJUSTMENTS. EMPTY ONE COLUMN OF CIGARETTES THEN PULL KNOB OUT UNTIL IT STOPS IN THE EMPTY POSITION. THE CANCEL SWITCH (LEFT SWITCH) SHOULD BE ADJUSTED TO ACTUATE AS SOON AS POSSIBLE AND HOLE THROUGHOUT THE KNOB PULL. (AFTER THE FIRST TOOTH OF THE ANTI-THEFT RATCHET).
4. GET THE CONTROL HARNESS AND TWO PLASTIC STRAPS AND INSTALL. NOTE THE FEMALE PLUG MUST GO THROUGH THE BUSHING FROM THE CURRENCY PARTNER 1000 TO THE VENDOR .
5. GET THE COIN COVER PANEL AND INSTALL IT IN PLACE OF THE COIN INSERT CASTING. PUT THE INSERT BILL DECAL INSIDE THE DISPLAY GLASS.
6. PLUG THE CURRENCY PARTNER 1000 INTO 115 VAC OUTLET AND TEST.
7. SLIDE MECHANISM ASSEMBLY BACK INTO PLACE AND LATCH. PUT DOOR ON VENDOR.

BE SURE TO TEST THE UNIT WITH THE DOOR CLOSED BEFORE LEAVING



2062 E. 70TH STREET, CLEVELAND, OH 44103
(216) 361-1022 OR TOLL FREE (800) 445-8363

DUAL-PRICE CURRENCY PARTNER 1000
NATIONAL 222 VEND SOLENOID ASSEMBLY
SIDE PANEL NATIONAL 222



REMOVE THE SLUG REJECTOR
REMOVE THE ALL COIN MANUAL RECORDER (A.C.M.R.)
INSTALL VEND SOLENOID ASSEMBLY IN PLACE OF THE
A.C.M.R.
INSTALL CAM WASHER AND WING NUT

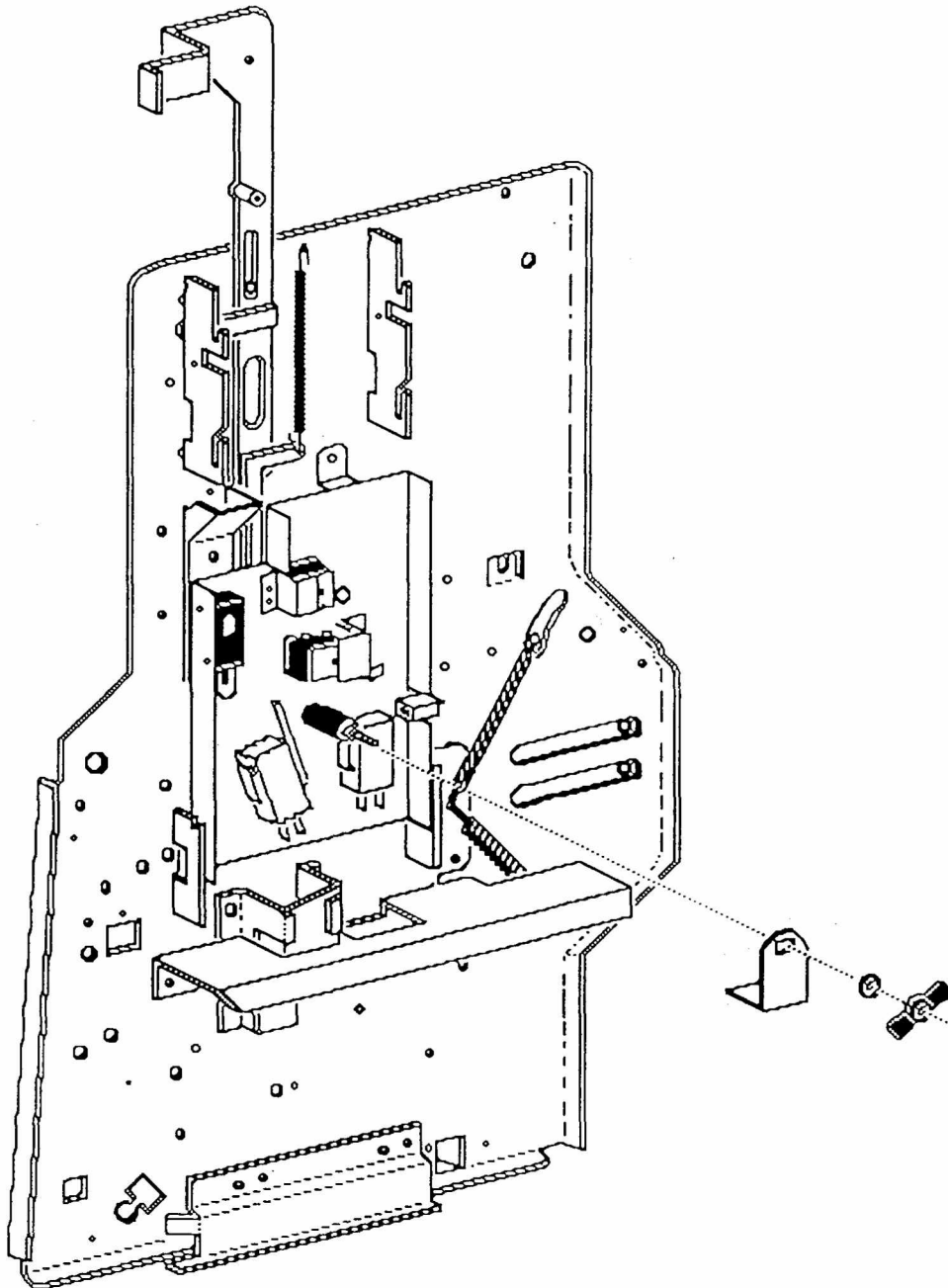


2062 E. 70TH STREET, CLEVELAND, OH 44103
(216) 361-1022 OR TOLL FREE (800) 445-8363

DUAL-PRICE CURRENCY PARTNER 1000

NATIONAL 800 VEND SOLENOID ASSEMBLY

SIDE PANEL NATIONAL 800



REMOVE THE SLUG REJECTOR
REMOVE THE ALL COIN MANUAL RECORDER (A.C.M.R.)
INSTALL VEND SOLENOID ASSEMBLY IN PLACE OF THE
A.C.M.R.
INSTALL CAM WASHER AND WING NUT



2062 E. 70TH STREET, CLEVELAND, OH 44103
(216) 361-1022 OR TOLL FREE (800) 445-8363

**DUAL-PRICE CURRENCY PARTNER 1000
NATIONAL 222 AND 800**

SOLENOID VEND
ASSEMBLY
202-1010-R

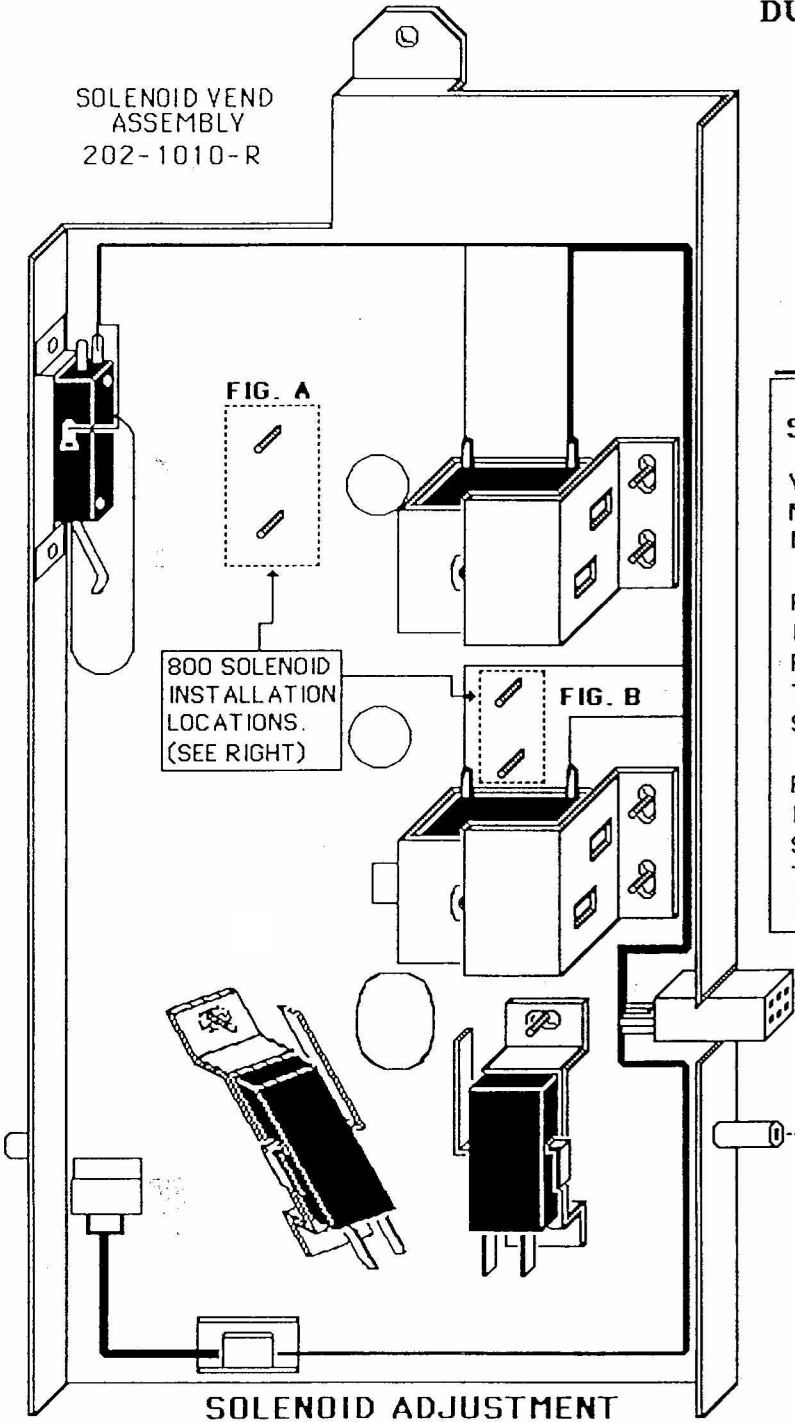
SEE INSTALLATION INSTRUCTIONS
FOR SWITCH ADJUSTMENTS
MAKE ALL SWITCH ADJUSTMENTS
AT THE ARROWS

**CROWN 800 SERIES
SOLENOID RELOCATION INSTRUCTIONS**

WHEN INSTALLING THE VEND ASSEMBLY ON THE NATIONAL CROWN 800, THE SOLENOID ASSEMBLIES MAY HAVE TO BE MOVED.

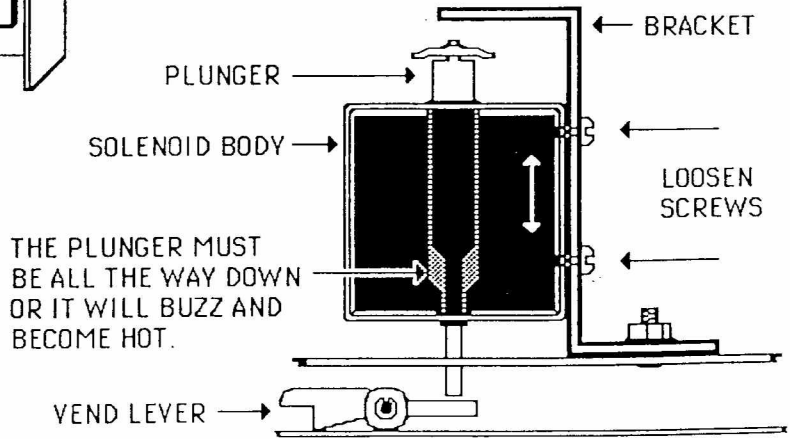
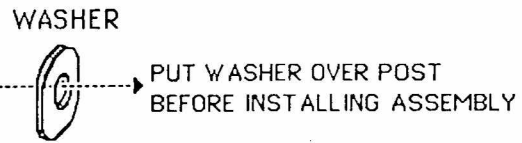
REMOVE THE NUTS HOLDING THE UPPER SOLENOID IN PLACE AND LIFT THE SOLENOID UP. ROTATE THE SOLENOID 180 DEGREES AND SLIDE TO THE LEFT. SECURE THE SOLENOID TO THE MOUNTING STUDS (SEE FIG. A AT LEFT)

REMOVE THE NUTS HOLDING THE LOWER SOLENOID IN PLACE AND LIFT THE SOLENOID UP. SLIDE THE SOLENOID UP AND TO THE LEFT. SECURE THE SOLENOID TO THE MOUNTING STUDS (SEE FIG. B AT LEFT)



SOLENOID ADJUSTMENT

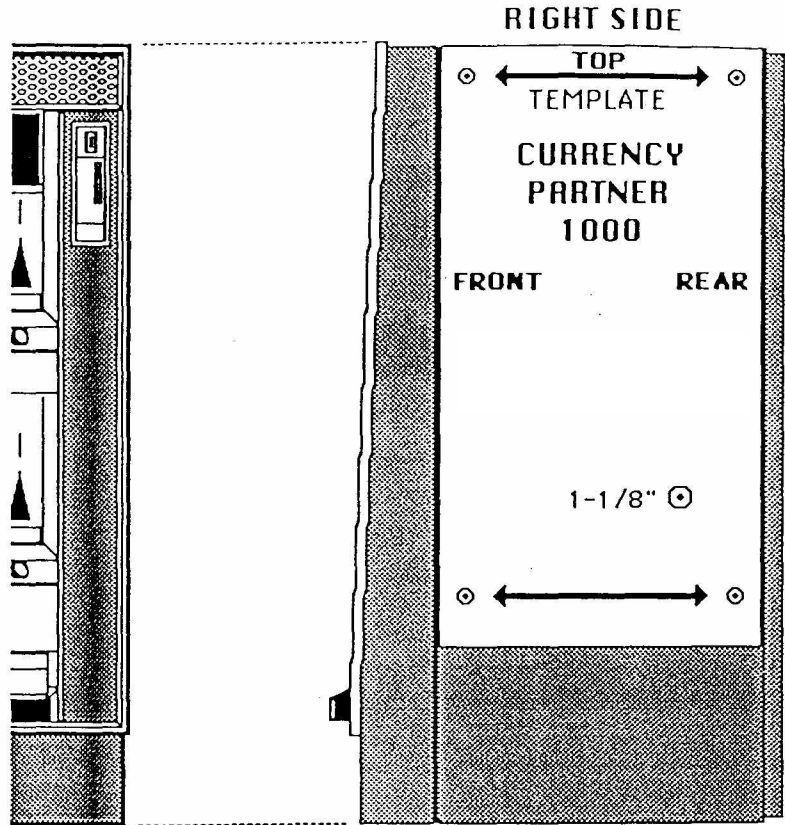
LOOSEN THE TWO SCREWS HOLDING THE SOLENOID, PRESS PLUNGER DOWN UNTILL THE VEND LEVER IS OUT OF THE TRACK. MOVE THE BODY OF THE SOLENOID UP SO THAT THE PLUNGER IS SEATED ALL THE WAY DOWN THEN TIGHTEN THE SCREWS



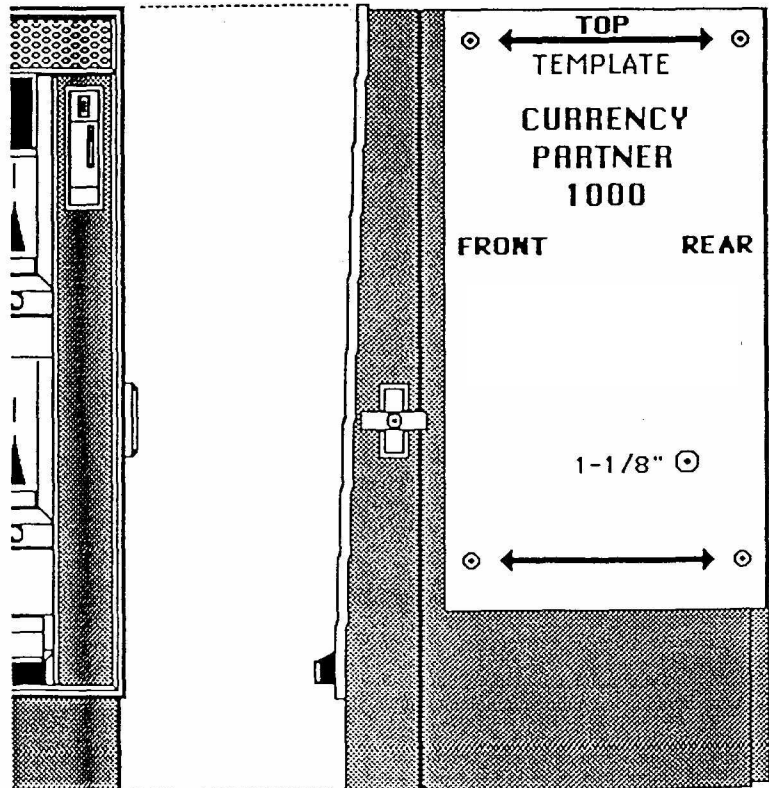
THE PLUNGER MUST BE ALL THE WAY DOWN OR IT WILL BUZZ AND BECOME HOT.

**NATIONAL 222 AND 800 CIGARETTE VENDORS
MOUNTING TEMPLATE**

TAPE THE TEMPLATE ONTO THE RIGHT SIDE OF THE CIGARETTE MACHINE. AFTER ALIGNING THE TEMPLATE WITH THE TOP AND BACK EDGE AS SHOWN. SOME UNITS WILL HAVE AN ONE INCH EXTENSION ON THE BACK OF THE UNIT, THE TEMPLATE SHOULD MOUNT THE SAME AS SHOWN. MARK AND DRILL HOLES AS SHOWN ON THE TEMPLATE.



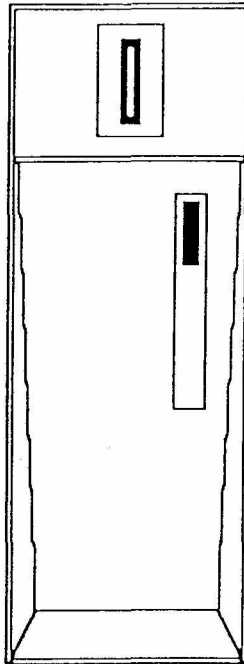
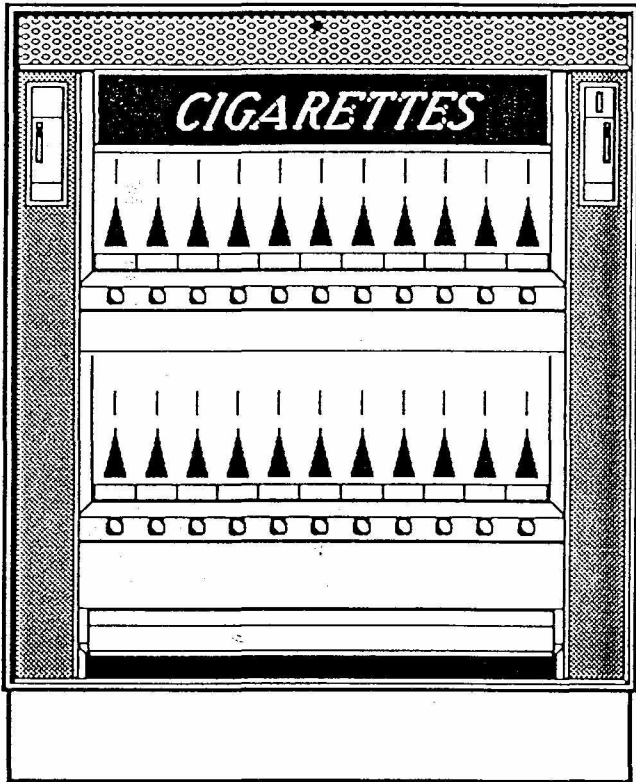
SOME LATE NATIONAL CIGARETTE MACHINES HAVE A HINGE DOOR WITH A TEE HANDLE LOCK. WHEN INSTALLING THE CURRENCY PARTNER 1000 ON THIS UNIT IT MUST BE MOUNTED BACK FARTHER THEN NORMAL TO CLEAR THE TEE HANDLE WHEN IT IS UNLOCKED. WHEN PLACING THE TEMPLATE ON THE RIGHT SIDE OF THE UNIT BE SURE IT CLEARS THE OPENED TEE HANDLE. THE VENDOR WILL HAVE TO BE OPENED TO SLIDE OUT THE DOOR OF THE CURRENCY PARTNER 1000. MARK AND DRILL HOLES AS SHOWN ON THE TEMPLATE.



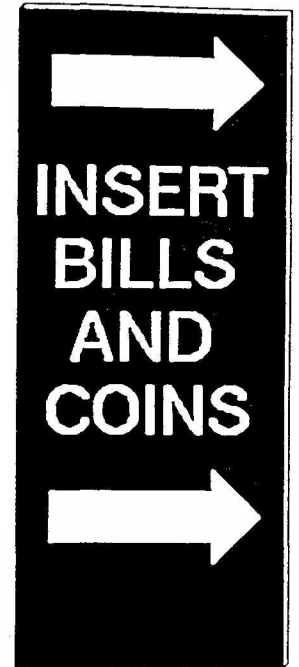
2062 E. 70TH STREET, CLEVELAND, OH 44103
(216) 361-1022 OR TOLL FREE (800) 445-8363

DUAL-PRICE CURRENCY PARTNER 1000
 NATIONAL 222 AND 800 CIGARETTE VENDORS
 COIN INSERT CASTING AND CHUTE ASSEMBLY

REMOVE THE COIN CASTING AND
 REAR CHUTE ASSEMBLY
 NATIONAL 222 OR 800 CIGARETTE

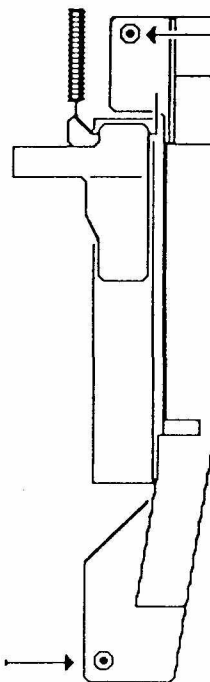


REMOVE OLD COIN
 INSERT CASTING



INSTALL NEW COIN
 COVER PANEL
 NO. 282-3022

REMOVE THE COIN INSERT CASTING,
 THE COIN RETURN LEVER AND THE
 THE REAR COIN CHUTE ASSEMBLY.
 INSTALL NO. 282-3022 THE NEW
 COIN COVER PANEL, USING THE
 WASHERS AND NUTS SUPPLIED.



UPPER SCREW
 AND SPACER

COIN RETURN LEVER
 AND CHUTE ASSEMBLY

LOWER SCREW
 AND SPACER



2062 E. 70TH STREET, CLEVELAND, OH 44103
 (216) 361-1022 OR TOLL FREE (800) 445-8363

TROUBLE CHART

TROUBLE	CAUSE	REMEDY
NO VEND	LOOSE WIRE OR CABLE BAD SOLENOID LATCH LEVERS	REPAIR WIRE OR CABLE REPLACE SOLENOID ADJUST LATCH LEVERS ADJUST SOLENOID ASSEMBLY ADJUST CAM ASSEMBLY
CHATTERING	SOLENOID JAMMED	ADJUST SOLENOID FOR 100% MOVEMENT
FREE VEND	SOLENOID BURNED LATCH LEVERS CANCEL SWITCH SOLENOID ASSEMBLY	REPLACE SOLENOID ADJUST OR REPLACE ADJUST OR REPLACE ADJUST OR REPLACE

ALL SOLENOID, SWITCH AND LATCH LEVER ADJUSTMENTS ARE ON PAGE 6 OF THIS MANUAL.

CONSULT THE DUAL-PRICE CURRENCY PARTNER 1000 MANUAL TROUBLE SHOOTING CHART FOR ADDITIONAL HELP



2062 E. 70TH STREET, CLEVELAND, OH 44103
(216) 361-1022 OR TOLL FREE (800) 445-8363