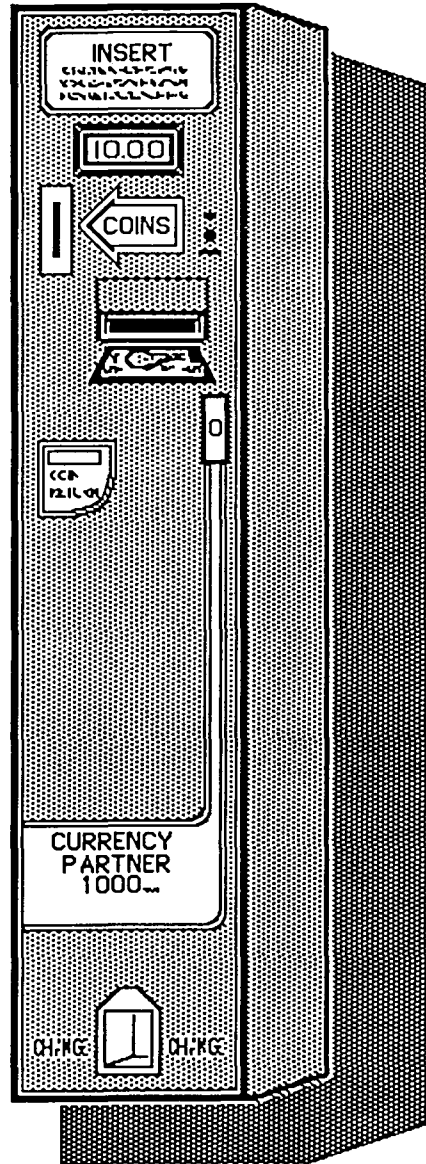
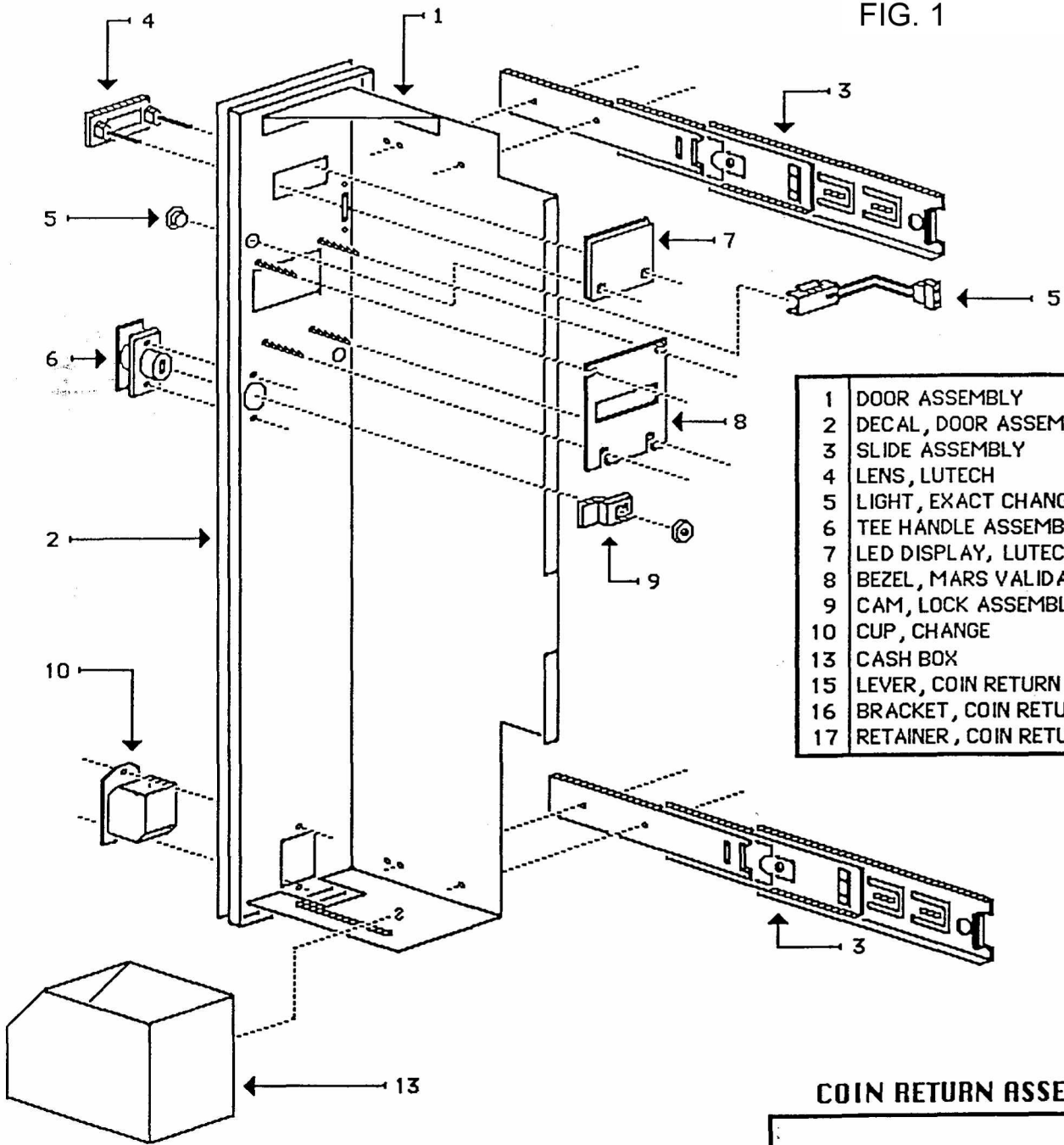


THE DUAL-PRICE CURRENCY PARTNER 1000
CONVERSION SYSTEM
INSTALLATION, PARTS & SERVICE



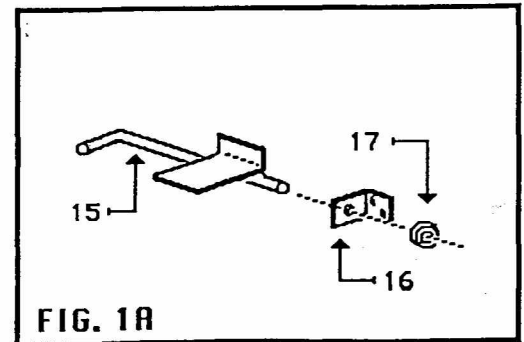
2062 E. 70TH STREET, CLEVELAND, OH 44103
(216) 361-1022 OR TOLL FREE (800) 445-8363

CURRENCY PARTNER 1000
PARTS ASSEMBLY
FIG. 1

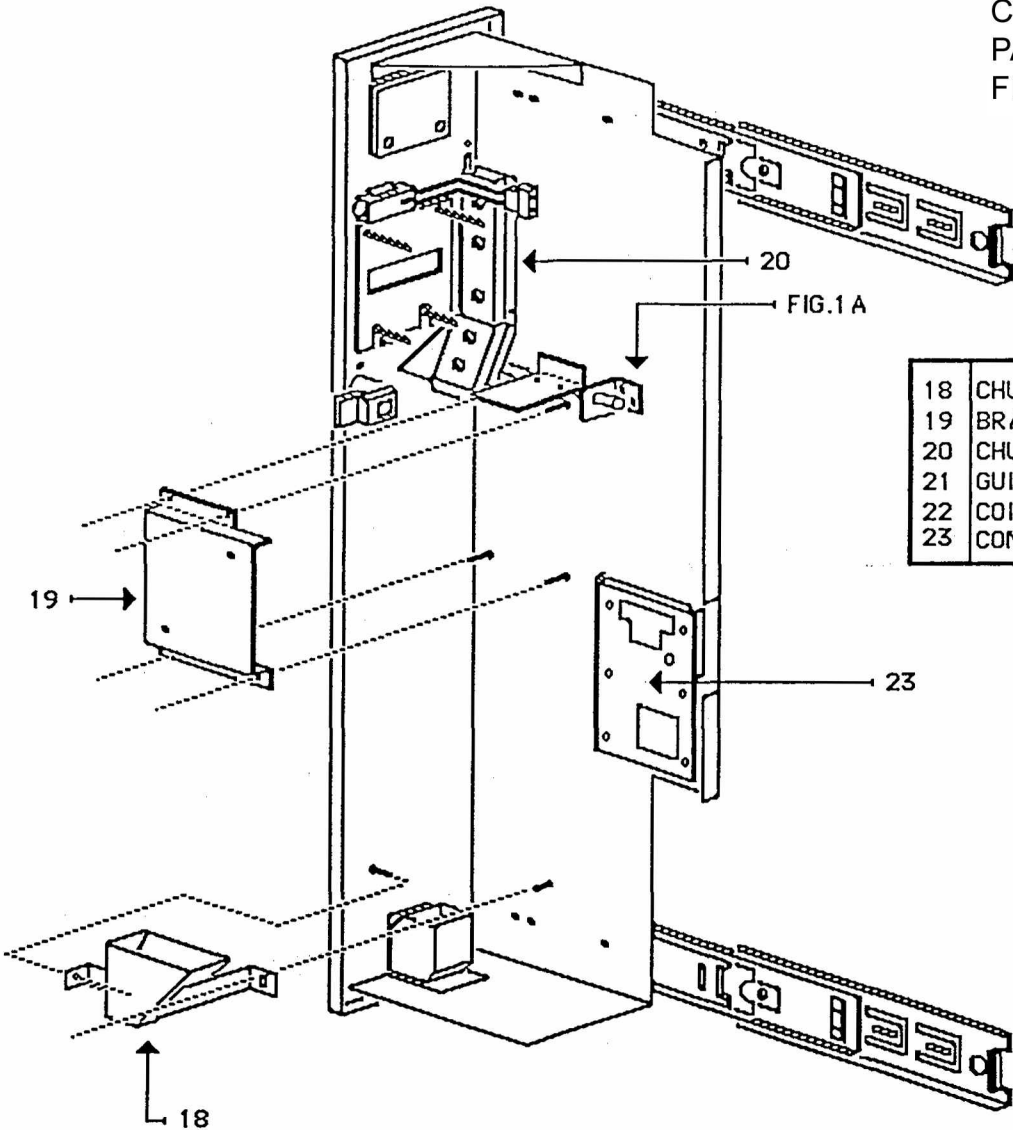


1	DOOR ASSEMBLY	200-1001
2	DECAL, DOOR ASSEMBLY	200-1002
3	SLIDE ASSEMBLY	200-1003
4	LENS, LUTECH	0800
5	LIGHT, EXACT CHANGE	0550
6	TEE HANDLE ASSEMBLY	200-1006
7	LED DISPLAY, LUTECH	0850
8	BEZEL, MARS VALIDATOR	200-1008
9	CAM, LOCK ASSEMBLY	200-1009
10	CUP, CHANGE	200-1010
13	CASH BOX	200-1013
15	LEVER, COIN RETURN	200-1015
16	BRACKET, COIN RETURN	200-1016
17	RETAINER, COIN RETURN	200-1017

COIN RETURN ASSEMBLY

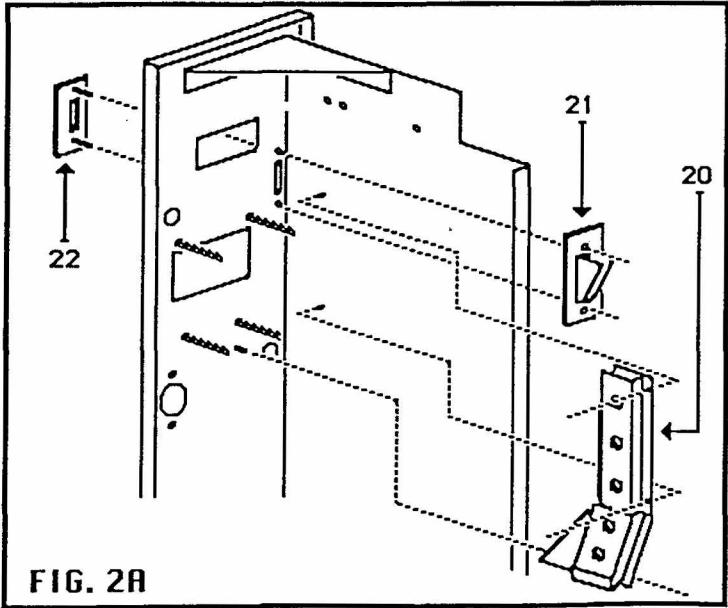


CURRENCY PARTNER 1000
PARTS ASSEMBLY
FIG. 2

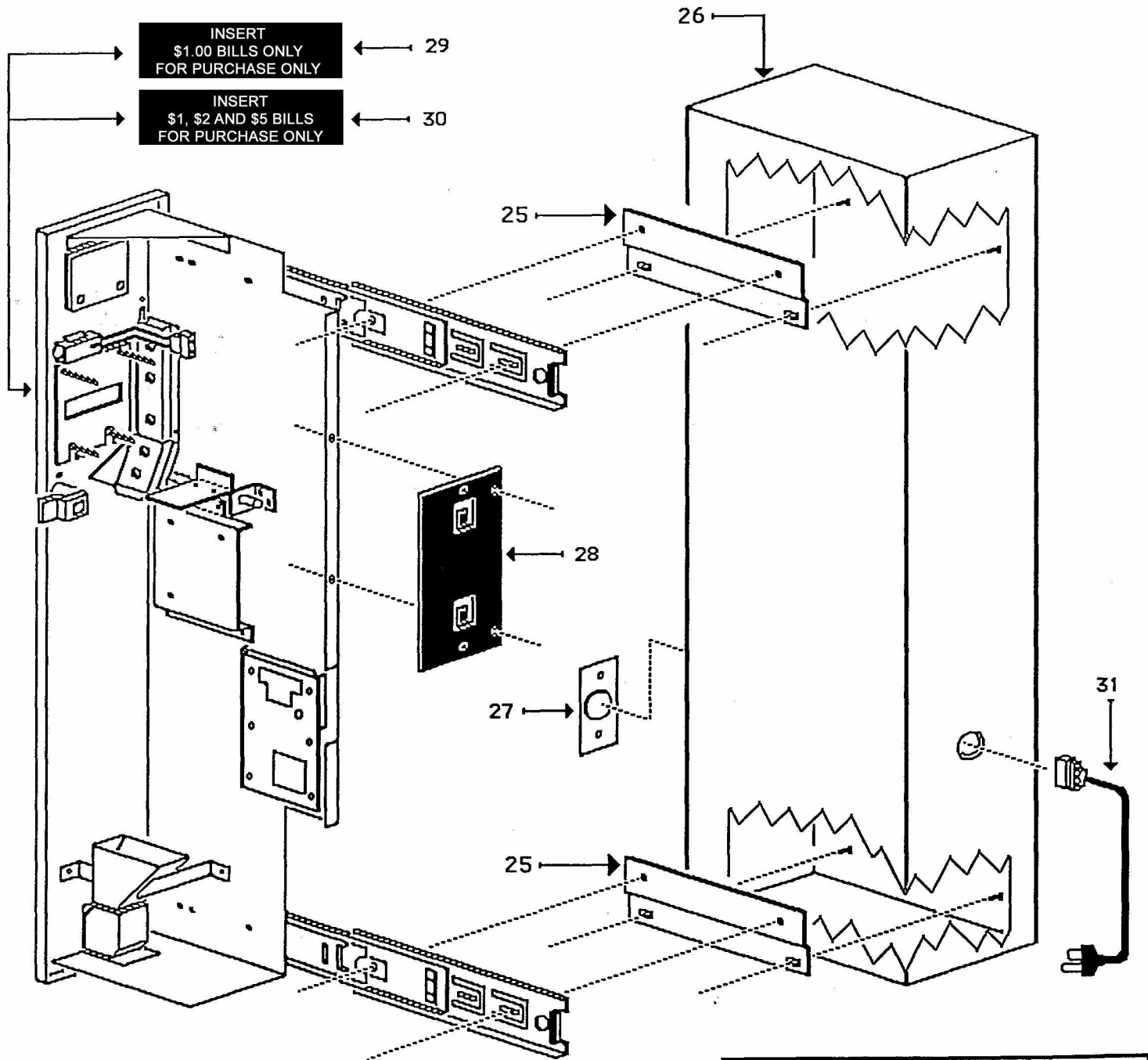


18	CHUTE, CHANGE	200-1018
19	BRACKET, CHANGER	200-1019
20	CHUTE, COIN	200-1020
21	GUIDE, REAR COIN	200-1021
22	COIN ENTRANCE SLOT	200-1022
23	CONTROL CENTER	222-1023

COIN CHUTE ASSEMBLY



CURRENCY PARTNER 1000
PARTS ASSEMBLY
FIG. 3



INSERT
\$1.00 BILLS ONLY
FOR PURCHASE ONLY

← 29

INSERT
\$1, \$2 AND \$5 BILLS
FOR PURCHASE ONLY

← 30

25	BRACKET SPACER	200-1025
26	CABINET ASSEMBLY	200-1026
27	COVER HOLE	200-1027
28	BRACKET CONTROL MAKA	200-1028
29	DECAL \$1 ONLY	200-1020
30	DECAL \$1, \$2 & \$5	200-1030
31	POWER CORD	200-1031

INSTALLATION INSTRUCTIONS

DISCONNECT ALL POWER FROM VENDOR BEFORE STARTING CONVERSION

1. UNLOCK VENDOR AND OPEN OR REMOVE THE DOOR. UNDO LATCHES THAT HOLD THE MECHANISM IN AND SLIDE THE RIGHT SIDE OUT. REMOVE COIN ACCEPTOR AND ACMR THEN PUSH MECHANISM BACK IN PLACE. LEAVE LATCHES OFF FOR THE TIME BEING.
2. GET PAPER TEMPLATE. THIS TEMPLATE IS THE SIZE OF THE CURRENCY PARTNER 1000 SO IT CAN BE PUT ON ANY VENDOR. WE SUGGEST THAT THE TOP BE LINED UP WITH THE TOP OF THE CIGARETTE MACHINE, THEN READ THE INSTRUCTIONS IN THE CIGARETTE VENDOR MANUAL FOR THE TEMPLATE LOCATION. DRILL AND PUNCH HOLES AS SHOWN. THE HOLE MARKED 1-1/8 in. IS A STANDARD ELECTRICAL 3/4in. KNOCK-OUT PUNCH.
3. GET THE FOUR 1/4" x 1 in. CAP BOLTS AND FOUR 1/4 " KEPT NUTS AND THE 3/4". BUSHING WITH LOCK NUT. GET THE CURRENCY PARTNER 1000 AND OPEN THE SLIDE PANEL ALL THE WAY OUT AND LEAVE OPEN. INSERT ONE 1/4" BOLT INTO THE UPPER FRONT HOLE. (NOTE ALL KEPT NUTS MUST BE INSIDE OF THE VENDOR AND ALL BOLTS WILL BE IN THE CURRENCY PARTNER 1000 FOR CLEARANCE REASONS) HOLD BOLT IN PLACE AND LIFT THE UNIT AND FIT THE BOLT INTO THE UPPER FRONT HOLE ON THE VENDOR, PUT THE NUT ON LOOSE FOR NOW. YOU WILL SEE THE CURRENCY PARTNER 1000 WILL BALANCE ON THAT BOLT. PUT IN THE OTHER TOP BOLT DO NOT TIGHTEN. PUT THE TWO BOTTOM BOLTS AND NUTS AND THEN PUT IN THE 3/4 " BUSHING AND LOCK NUT, IT MAY MAKE THINGS EASIER IF YOU PUT YOUR KNEE TO THE BOTTOM OF THE CURRENCY PARTNER 1000 TO LIFT IT A BIT. AFTER THE BUSHING IS INSTALLED ALIGN CABINET WITH VENDOR AND TIGHTEN ALL BOLTS, THE BOTTOM BOLTS FIRST.



2062 E. 70TH STREET, CLEVELAND, OH 44103
(216) 361-1022 OR TOLL FREE (800) 445-8363

INSTALLATION INSTRUCTIONS

4. IF YOU ARE GOING TO INSTALL THE BILL ACCEPTOR AND/OR THE COIN CHANGER, CONSULT PAGES 8,9, OR 10 FOR YOUR PARTICULAR INSTALLATION.
5. SET THE BILL ACCEPTOR SWITCHES AS SHOWN IN THE ACCEPTOR DRAWING. (SEE PAGE 7)
NOTE: WHEN INSTALLING A MARS BILL ACCEPTOR, PLUG HARNESS INTO THE ACCEPTOR CONTROL BOX BEFORE MOUNTING THE BILL ACCEPTOR.
6. BE SURE TO SET THE FUNCTION SWITCHES ON THE LUTECH CONTROL BOARD.
7. GET THE CONTROL HARNESS FROM THE CIGARETTE VENDOR KIT AND PUSH THE FEMALE END THROUGH THE BUSHING FROM THE CURRENCY PARTNER 1000 SIDE. LEAVE ENOUGH HARNESS INSIDE THE CURRENCY PARTNER TO LOOP THROUGH THE STRAP AND PLUG INTO THE BOTTOM OF THE LUTECH CONTROL BOX, LEAVE SLACK ABOUT THE SAME AS THE POWER HARNESS.
8. NOW INSTALL THE CIGARETTE CONVERSION KIT.
9. SET SALE PRICES, FILL COIN TUBES AND TEST UNIT.

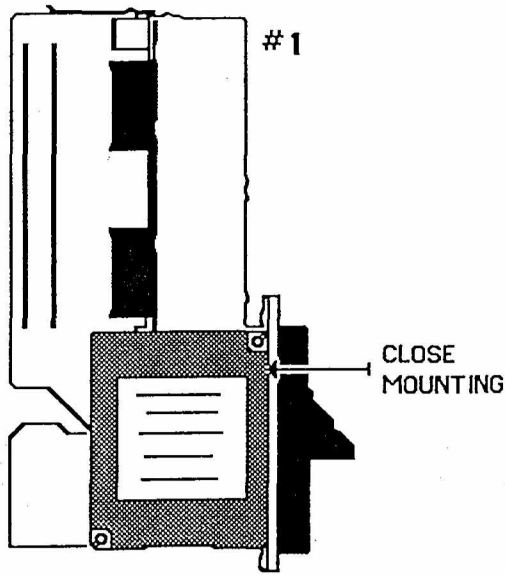
CONSULT TROUBLE CHART IF ANY PROBLEMS ARE ENCOUNTERED

BE SURE TO TEST UNIT WITH THE DOOR CLOSED BEFORE LEAVING

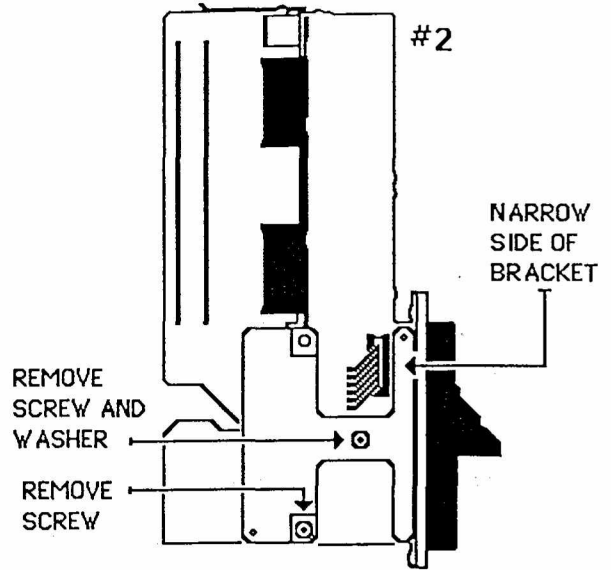


2062 E. 70TH STREET, CLEVELAND, OH 44103
(216) 361-1022 OR TOLL FREE (800) 445-8363

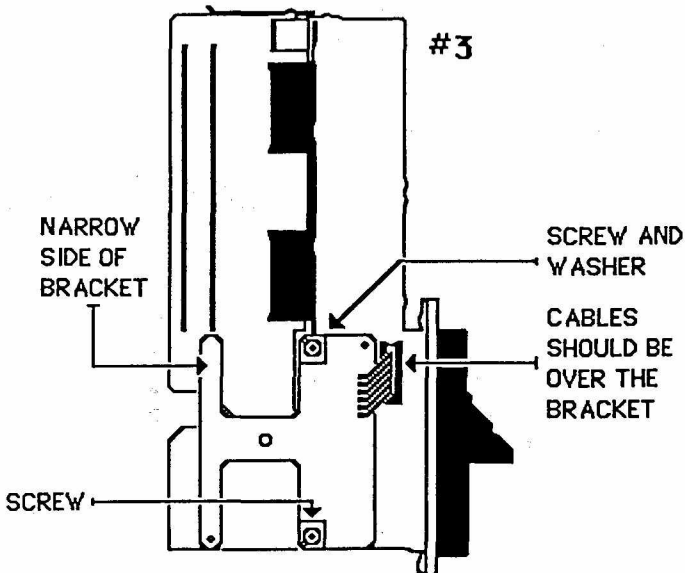
**CURRENCY PARTNER 1000
MARS BILL ACCEPTOR
CONTROL BOX**



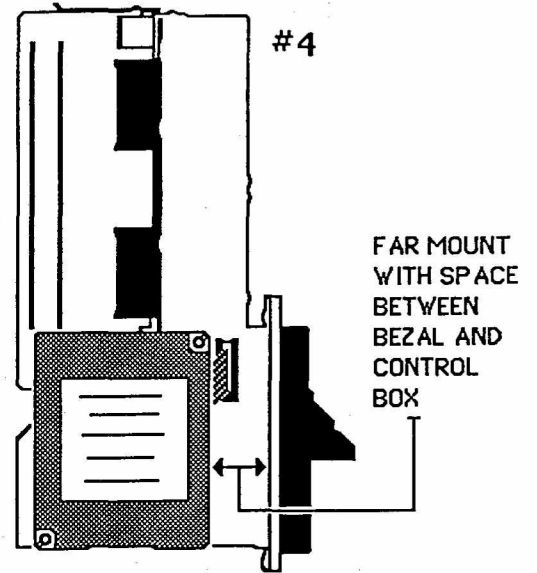
IF THE CONTROL BOX IS CLOSE MOUNTED, IT MUST BE MOVED. FOLLOW STEPS #1, #2, #3, #4



UNSCREW CONTROL BOX COVER, DO NOT REMOVE WIRES! LIFT COVER TO EXPOSE THE MOUNTING BRACKET. REMOVE THE TWO SCREWS AND ONE WASHER.



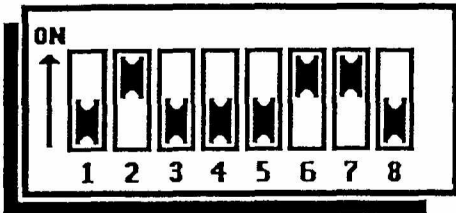
ROTATE MOUNTING BRACKET AS SHOWN INSTALL WASHER AND SCREW AT TOP HOLE AND SCREW IN LOWER HOLE.



PUT COVER ONTO BRACKET, BE SURE NOT TO PINCH THE WIRES. IT SHOULD LOOK LIKE #4 WHEN DONE.

THE CABLES ARE LONG ENOUGH TO RAISE THE COVER AND ROTATE THE CONTROL BOX MOUNTING BRACKET. SET SWITCHES BEFORE REMOUNTING THE COVER. IF THERE ARE ANY PROBLEMS CONSULT YOUR MARS BILL ACCEPTOR INSTALLATION GUIDE.

**MARS BILL ACCEPTOR
SWITCH SETTINGS
L005-U2CS**



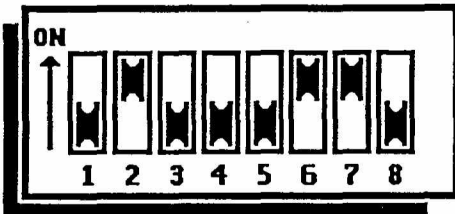
\$1.00, \$2.00 AND \$5.00 ACCEPTANCE

SW.1 (OFF)
ACCEPTS BILL IN ANY DIRECTION
SW.8 (OFF)
\$1.00, \$2.00 AND \$5.00 ACCEPTED

\$1.00 ACCEPTANCE ONLY

SW.8 (ON)
ACCEPTS \$1.00 ONLY

**MARS BILL ACCEPTOR
SWITCH SETTINGS
UFM3-L1**



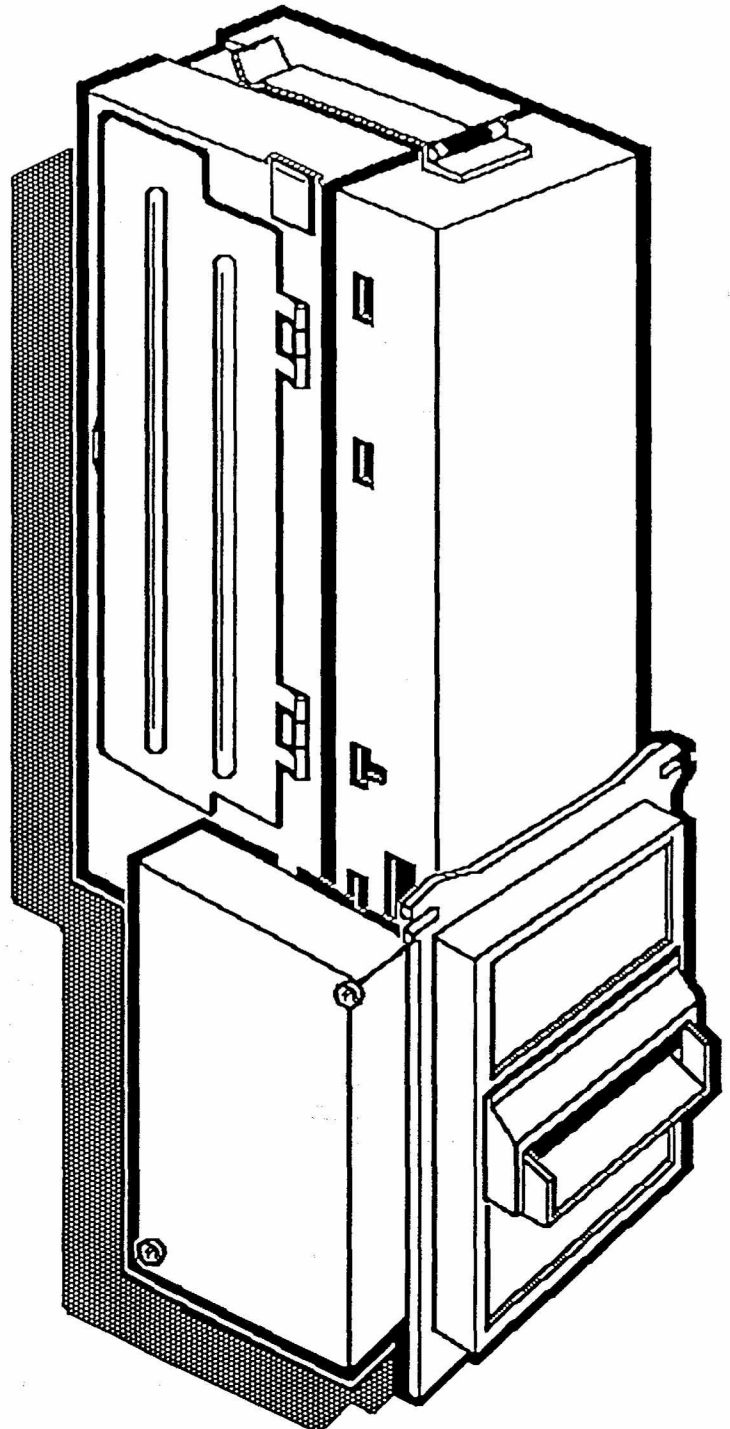
\$1.00, \$2.00 AND \$5.00 ACCEPTANCE

SW.1 (OFF)
ACCEPTS BILLS IN ANY DIRECTIONS
SW.5 (OFF)
HIGH SECURITY ACCEPTANCE
SW.8 (OFF)
\$1.00, \$2.00 AND \$5.00 ACCEPTED

\$1.00 ACCEPTANCE ONLY

SW.5 (ON)
ACCEPTS \$1.00 ONLY
SW.8 (ON)
ACCEPTS \$1.00 ONLY

**CURRENCY PARTNER 1000
MARS BILL ACCEPTOR**



SWITCH SETTINGS FOR MARS BILL ACCEPTOR

SET SWITCHES AS SHOWN FOR THE OLDER L005-U2CS OR L005-U4CS.
SET SWITCHES AS SHOWN FOR UFM3-L1-U2CS OR UFM3-L1-U4C.
IF THE UFM1-L1-U2CS OR UFM1-L1-U4C IS USED CONSULT THE MARS
BILL ACCEPTOR INSTALLATION GUIDE.



VENDING, INC.

**DUAL PRICE CURRENCY PARTNER
SLIDE OUT PANEL
MARS BILL VALIDATOR**

**LUTECH L.E.D.
CREDIT DISPLAY
NO. 0850**

EXACT CHANGE LIGHT

**INSTALL \$100 OR
\$1.00, \$2.00 & \$5.00
DECAL HERE**

**TO EXACT
CHANGE LIGHT**

**MARS COIN
CHANGER
TRC-6000**

**TO CREDIT
DISPLAY**

**OPTIONAL
CASH METER**

**LOW LEVEL
BILL ACCEPTOR**

**L005-U2CS
L005-U4CS**

**UFM3-L1-U2CS
UFM3-L1-U4C**

**UFM1-L1-U2CS
UFM1-L1-U4C**

**FOR DETAILED
DIAGRAM OF
DUAL PRICE
CONTROL BOARD
SEE PAGE 10**



**DUAL PRICE CURRENCY PARTNER
SLIDE OUT PANEL
MAKA BILL VALIDATOR**

**LUTECH L.E.D.
CREDIT DISPLAY
NO. 0850**

EXACT CHANGE LIGHT

**INSTALL \$1.00
DECAL HERE**

**USE MAKA "H"
MASK ONLY**

**REMOVE THE
MARS BEZEL
FROM THE
SLIDE OUT
PANEL**

**MARS COIN
CHANGER
TRC-6000**

**TO
EXACT CHANGE
LIGHT**

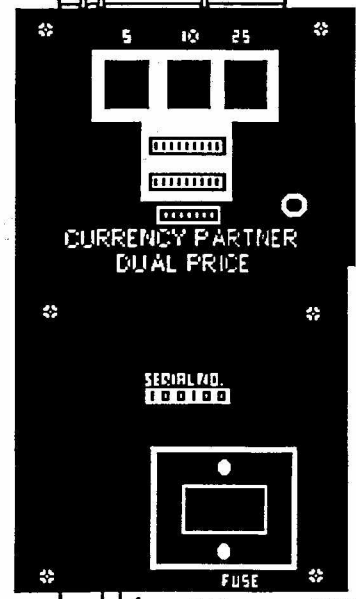
**TO
OPTIONAL
CASH METER**

**HIGH LEVEL
BILL ACCEPTOR**

**NB-15-B-100
NB-15-B-200
NB-15-B-400**

**MAKA
CONTROL
BOX**

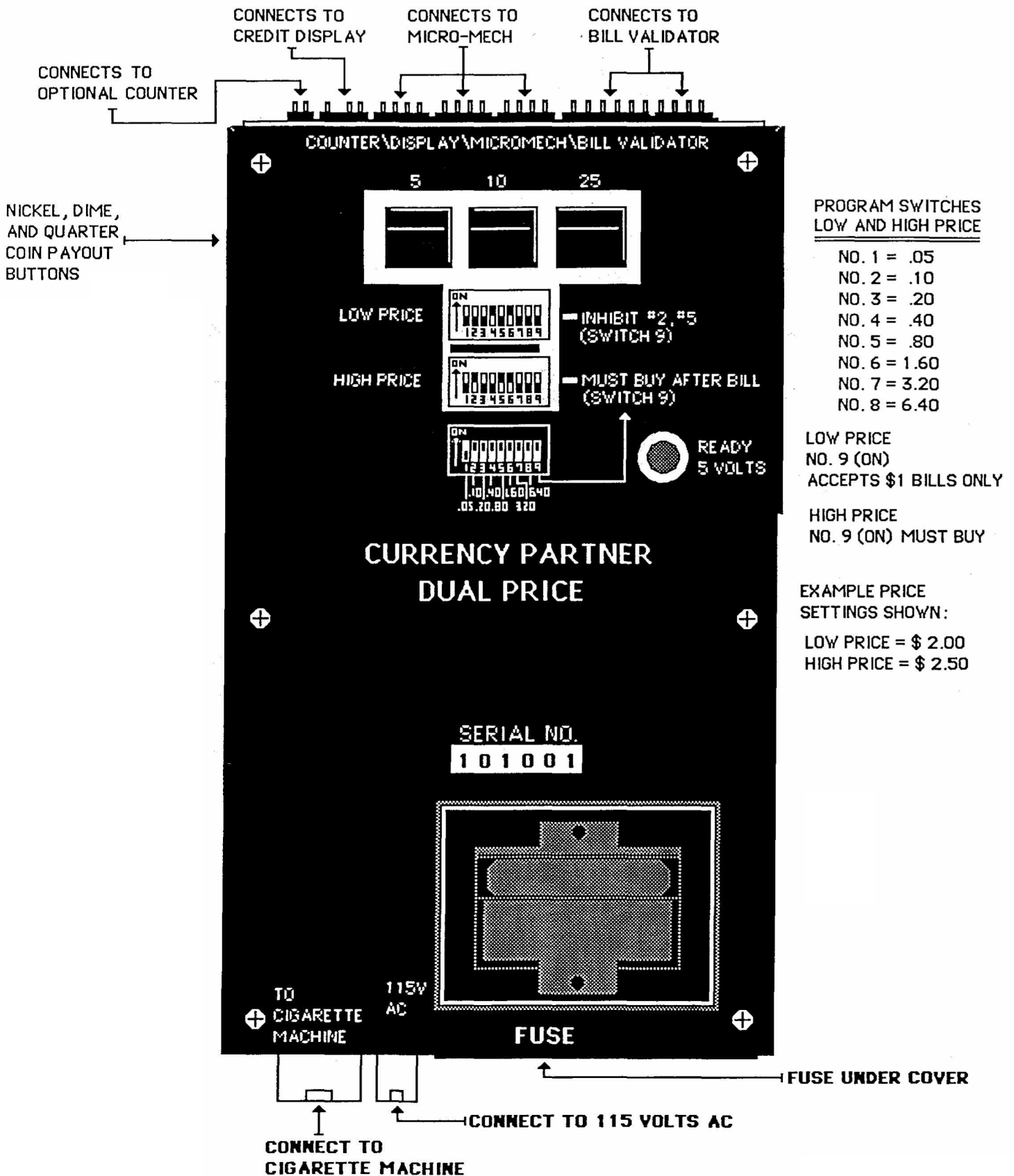
**FOR DETAILED
DIAGRAM OF
DUAL PRICE
CONTROL BOARD
SEE PAGE 10**



**↑ 115V
AC
TO
CIGARETTE
MACHINE**



DUAL PRICE CURRENCY PARTNER CONTROL BOARD ASSEMBLY



2062 E. 70TH STREET, CLEVELAND, OH 44103
 (216) 361-1022 OR TOLL FREE (800) 445-8363

TROUBLE CHART

PROBLEM: WILL NOT VEND WITH COINS OR BILLS, DISPLAY READ CORRECT AMOUNT INSERTED.

REMEDY: CHECK SWITCH ON LUTECH CONTROL BOARD.

CHECK CONTROL HARNESS FROM LUTECH CONTROL BOARD TO SOLENOID PANEL.

CHECK VEND SOLENOID IN VENDOR CONVERSION KIT (SEE VENDOR KIT MANUAL)

NOTE: CONSULT THE LUTECH VENDOR CONVERSION MANUAL FOR SWITCH SETTINGS.

PROBLEM: WILL NOT ACCEPT BILLS,

REMEDY: FILL 5, 10 AND 25 CENT COIN TUBES, THEN PAY OUT ONE COIN TO RESET COIN CHANGER.

CHECK BILL ACCEPTOR OPTION SWITCH SETTINGS. SEE PAGE 7.

NOTE: CONSULT THE LUTECH VENDOR CONVERSION MANUAL FOR SWITCH SETTINGS.

PROBLEM: WILL NOT ACCEPT COINS OR BILLS.

REMEDY: CHECK POWER PLUG AT LUTECH CONTROL BOX AND AT WALL OUTLET THEN CHECK OUTLET.

CHECK COIN CHANGER PLUG.

CHECK CANCEL SWITCH IN VENDOR CONVERSION KIT (SEE VENDOR KIT MANUAL)

NOTE: CONSULT THE LUTECH VENDOR CONVERSION MANUAL FOR SWITCH SETTINGS.

PROBLEM: FREE VEND.

REMEDY: SWITCH ON THE LUTECH CONTROL BOARD NOT SET TO MATCH THE MARS COIN CHANGER.

CHECK CANCEL SWITCH ON VENDOR CONVERSION KIT (SEE VENDOR KIT MANUAL)

CHECK VEND SOLENOID IN VENDOR CONVERSION KIT (SEE VENDOR KIT MANUAL)

1. WHEN SELECTING ESCROW TO SELECT, THE MARS COIN CHANGER AND THE LUTECH CONTROL BOARD MUST BE SET TO THE ESCROW TO SELECT POSITION. THIS WILL ALLOW THE CUSTOMER TO PRESS THE COIN RETURN AND GET THE MONEY INSERTED BACK. (THIS IS FULL ESCROW)
2. WHEN SELECTING ESCROW TO VEND, THE MARS COIN CHANGER AND THE LUTECH CONTROL BOARD MUST BE SET TO THE ESCROW TO VEND POSITION. THIS WILL TAKE THE MONEY AND SET UP A CREDIT FOR A VEND ONLY. THE CUSTOMER WILL ONLY GET THE MONEY BACK UNTIL THE VEND PRICE IS REACHED. (THIS IS ESCROW TO VEND PRICE ONLY)
3. YOU CAN ALSO SET THE MARS COIN CHANGER FOR NO ESCROW OR MUST BUY CONDITION.



2062 E. 70TH STREET, CLEVELAND, OH 44103
(216) 361-1022 OR TOLL FREE (800) 445-8363

VENDING, INC.