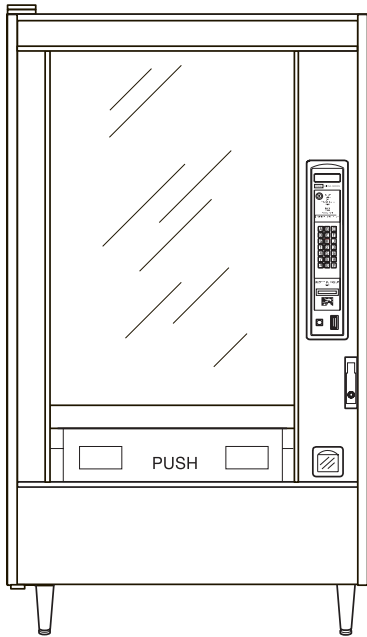
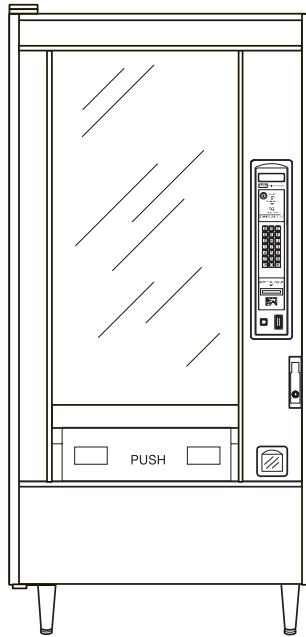


Models 157, 158, 257, 258, 464, 465, 484, 487

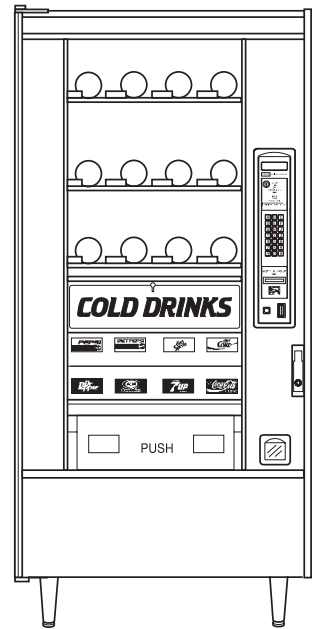
Snack/Refreshment Center 2



157
257
464



158
258
465



484
487

157-0004

PARTS MANUAL

12955 Enterprise Way
Bridgeton, Missouri 63044-1200
(314) 298-3500

1570131

Copyright © 3-99

CRANE

This document is available free of
charge to our customers.
Crane Merchandising Systems



LIST OF FIGURES

FIGURE.....	PAGE
1. MODEL IDENTIFICATION.....	1
2. COMMON CABINET (PART 1 OF 4).....	2
3. COMMON CABINET (PART 2 OF 4).....	4
4. COMMON CABINET (PART 3 OF 4).....	6
5. COMMON CABINET (PART 4 OF 4).....	8
6. CABINET INSULATION FOR CHILLED SNACK OR CHILLED RC-2	10
7. COVER AND AIR DUCT ASSEMBLY	12
8. ADDITIONAL INSULATION FOR TROPICAL MODELS	14
9. POWER PANEL ASSEMBLY - U.S.....	16
10. POWER PANEL ASSEMBLY - MODELS 157 & 158 - U.K.	18
11. POWER PANEL ASSEMBLY - MODELS 464, 465, & 487 - U.K.	20
12. POWER PANEL ASSEMBLY - 157, 158, 464, 465, 487 - FRANCE/GERMANY	22
13. MONETARY PANEL ASSEMBLY (PART 1 OF 4)	24
14. MONETARY PANEL ASSEMBLY (PART 2 OF 4)	26
15. MONETARY PANEL ASSEMBLY (PART 3 OF 4)	28
16. MONETARY PANEL ASSEMBLY (PART 4 OF 4) - MILLENNIA STYLING	30
17. CARD READER AND BILL VALIDATOR COMBINATIONS.....	32
22. CANDY TRAY ASSEMBLY (PART 1 OF 2)	36
23. CANDY TRAY ASSEMBLY (PART 2 OF 2)	38
24. SNACK TRAY ASSEMBLY (PART 1 OF 2).....	40
25. SNACK TRAY ASSEMBLY (PART 2 OF 2)	42
26. GUM AND MINT TRAY ASSEMBLY (PART 1 OF 2).....	44
27. GUM AND MINT TRAY ASSEMBLY (PART 2 OF 2).....	46
28. CIGARETTE TRAY ASSEMBLY (PART 1 OF 2).....	48
29. CIGARETTE TRAY ASSEMBLY (PART 2 OF 2).....	50
32. BASE PLATE ASSEMBLY (STANDARD SHOWN).....	52
33. DOOR ASSEMBLY (IMPERIAL CROWN AND SIGNATURE STYLING)	54
34. COMMON TRIM AND PANEL COMPONENTS.....	56
35. DOOR ASSEMBLY (MILLENNIA STYLING).....	64
36. DOOR GLASS AND GLASS RETAINING COMPONENTS (MILLENNIA STYLING).....	66
37. HORIZONTAL TRIM AND GLASS CHANNEL ASSEMBLY (MILLENNIA STYLING).....	68
38. COMMON TRIM AND PANEL COMPONENTS - MILLENNIA STYLING (PART 1 OF 2).....	70
39. COMMON TRIM AND PANEL COMPONENTS - MILLENNIA STYLING (PART 2 OF 2).....	72
40. COIN RECEPTACLE ASSEMBLY.....	74
41. LIGHT ASSEMBLY - UPPER DOOR	76
42. DOOR ASSEMBLY - MODELS 484, 487 WITH REFRIG/FROZEN FOOD MODULE	78
43. FLUORESCENT SIDE LIGHT ASSEMBLY	80
44. DOOR LOCK AND HANDLE ASSEMBLY (IMPERIAL CROWN AND SIGNATURE STYLES).....	82
45. DOOR LOCK AND HANDLE ASSEMBLY (MILLENNIA STYLE)	84
46. GUM AND MINT ASSEMBLY	86
47. DELIVERY PAN ASSEMBLY	90
48. DELIVERY PAN LATCH MECHANISM - PART 1 OF 3 (FOOD MODULE EQUIPPED MACHINES ONLY)	96
49. DELIVERY PAN LATCH MECHANISM - PART 2 OF 3 (FOOD MODULE EQUIPPED MACHINES ONLY)	98
50. FLAP DELIVERY PAN ASSEMBLY (PART 3 OF 3) - FOOD AND CAN OPTIONS.....	100
51. LEG, LEVELER, AND LEG AND HINGE ASSEMBLIES	101
65. CAN AND REFRIGERATION MODULE	114
67. MOTOR AND EJECTOR MOUNTING CHANNEL ASSEMBLY	118
68. CAN UNIT FRAME ASSEMBLY.....	120
69. CAN COMPARTMENT ASSEMBLY	122



FIGURE	PAGE
70. REFRIGERATION MODULE - CHILLED SNACK	124
72. REFRIGERATED FOOD MODULE AND HOUSING ASSEMBLY	128
73. MAJOR COMPONENTS - REFRIGERATED FOOD MODULE	130
76. FOOD MODULE DOOR FRAME ASSEMBLY	134
77. REFRIGERATED AND FROZEN FOOD MODULE - INTERIOR VIEW (PART 1 OF 2)	136
78. REFRIGERATED AND FROZEN FOOD MODULE - INTERIOR VIEW (PART 2 OF 2)	138
79. GENERAL TRAY ASSEMBLIES - REFRIGERATED FOOD MODULE	140
80. PUSHER MODULE ASSEMBLY	142
81. BELT MODULE ASSEMBLY	144
82. SPIRAL MODULE ASSEMBLY	146
83. DOOR ASSEMBLY - REFRIGERATED FOOD MODULE	148
84. LEFT HAND DRIVE ARM ASSEMBLY	150
85. RIGHT HAND DRIVE ARM ASSEMBLY	152
86. MOTOR MOUNTING BRACKET ASSEMBLY	154
87. FROZEN FOOD MODULE AND HOUSING ASSEMBLY	156
88. MAJOR COMPONENTS - FROZEN FOOD MODULE	158
91. DOOR ASSEMBLY - FROZEN FOOD MODULE	162



This document is available free of charge to our customers.
 Crane Merchandising Systems



LIST OF TABLES

TABLE	PAGE
2. COMMON CABINET (PART 1 OF 4)	3
3. COMMON CABINET (PART 2 OF 4)	5
4. COMMON CABINET (PART 3 OF 4)	7
5. COMMON CABINET (PART 4 OF 4)	9
6. CABINET INSULATION FOR CHILLED SNACK OR CHILLED RC-2	11
7. COVER AND AIR DUCT ASSEMBLY	13
8. ADDITIONAL INSULATION FOR TROPICAL MODELS	15
9. POWER PANEL ASSEMBLY - U.S.	17
10. POWER PANEL ASSEMBLY - MODELS 157 & 158 - U.K.	19
11. POWER PANEL ASSEMBLY - MODELS 464, 465, & 487 - U.K.	21
12. POWER PANEL ASSEMBLY - 157, 158, 464, 465, 487 - FRANCE/GERMANY	23
13. MONETARY PANEL ASSEMBLY (PART 1 OF 4)	25
14. MONETARY PANEL ASSEMBLY (PART 2 OF 4)	27
15. MONETARY PANEL ASSEMBLY (PART 3 OF 4)	29
16. MONETARY PANEL ASSEMBLY (PART 4 OF 4) - MILLENNIA STYLING	31
17. CARD READER AND BILL VALIDATOR COMBINATIONS	33
18. MONETARY LOCATION OPTIONS	33
19. CARD READER OPTIONS	34
20. BILL VALIDATOR OPTIONS	34
21. COIN MECHANISM OPTIONS	35
22. CANDY TRAY ASSEMBLY (PART 1 OF 2)	37
23. CANDY TRAY ASSEMBLY (PART 2 OF 2)	39
24. SNACK TRAY ASSEMBLY (PART 1 OF 2)	41
25. SNACK TRAY ASSEMBLY (PART 2 OF 2)	43
26. GUM AND MINT TRAY ASSEMBLY (PART 1 OF 2)	45
27. GUM AND MINT TRAY ASSEMBLY (PART 2 OF 2)	47
28. CIGARETTE TRAY ASSEMBLY (PART 1 OF 2)	49
29. CIGARETTE TRAY ASSEMBLY (PART 2 OF 2)	51
30. PRICE ROLLS (FOR TRAYS)	51
31. SPIRAL OPTIONS	51
32. BASE PLATE ASSEMBLY (STANDARD SHOWN)	53
33. DOOR ASSEMBLY (IMPERIAL CROWN AND SIGNATURE STYLING)	55
34. COMMON TRIM AND PANEL COMPONENTS	57
34 A. TOP TRIM PANEL OPTIONS (INDEX # 5) - MODELS 157, 257, 464 (IMPERIAL CROWN AND SIGNATURE STYLES)	58
34 B. TOP TRIM PANEL OPTIONS (INDEX # 5) - MODELS 158, 258, 464, 465 & 487 (IMPERIAL CROWN AND SIGNATURE STYLES)	58
34 C. RIGHT HAND TRIM PANEL OPTIONS (INDEX # 9) (IMPERIAL CROWN AND SIGNATURE STYLES)	59
34 D. BOTTOM TRIM PANEL OPTIONS (INDEX # 11) - MODELS 157, 257, 464 (IMPERIAL CROWN AND SIGNATURE STYLES)	60
34 E. BOTTOM TRIM PANEL OPTIONS (INDEX # 11) - MODELS 158, 258, 465, 484, 487 (IMPERIAL CROWN AND SIGNATURE STYLES)	61
34 F. LEFT HAND TRIM PANEL OPTIONS (INDEX # 14) - MODELS 157, 257, 464 (IMPERIAL CROWN AND SIGNATURE STYLES)	62
34 G. LEFT HAND TRIM PANEL OPTIONS (INDEX # 14) - MODELS 158, 258, 465, 484, 487 (IMPERIAL CROWN AND SIGNATURE STYLES)	63
35. DOOR ASSEMBLY (MILLENNIA STYLING)	65
36. DOOR GLASS AND GLASS RETAINING COMPONENTS (MILLENNIA STYLING)	67
37. HORIZONTAL TRIM AND GLASS CHANNEL ASSEMBLY (MILLENNIA STYLING)	69
38. COMMON TRIM AND PANEL COMPONENTS - MILLENNIA STYLING (PART 1 OF 2)	71



TABLE	PAGE
39. COMMON TRIM AND PANEL COMPONENTS - MILLENNIA STYLING (PART 2 OF 2)	73
40. COIN RECEPTACLE ASSEMBLY	75
41. LIGHT ASSEMBLY - UPPER DOOR	77
42. DOOR ASSEMBLY - MODELS 484, 487 WITH REFRIG/FROZEN FOOD MODULE	79
43. FLUORESCENT SIDE LIGHT ASSEMBLY	81
44. DOOR LOCK AND HANDLE ASSEMBLY (IMPERIAL CROWN AND SIGNATURE STYLES)	83
45. DOOR LOCK AND HANDLE ASSEMBLY (MILLENNIA STYLE)	85
46. GUM AND MINT ASSEMBLY	87
47. DELIVERY PAN ASSEMBLY	91
48. DELIVERY PAN LATCH MECHANISM - PART 1 OF 3 (FOOD MODULE EQUIPPED MACHINES ONLY)	97
49. DELIVERY PAN LATCH MECHANISM - PART 2 OF 3 (FOOD MODULE EQUIPPED MACHINES ONLY)	99
50. FLAP DELIVERY PAN ASSEMBLY (PART 3 OF 3) - FOOD AND CAN OPTIONS	100
51. LEG, LEVELER, AND LEG AND HINGE ASSEMBLIES	103
52. BAG ASSEMBLY B1570006 (USED ON MODEL 157, 158 - DOMESTIC)	104
53. BAG ASSEMBLY B1570007 (USED ON MODELS 157/158 - UNITED KINGDOM)	104
54. BAG ASSEMBLY B1570003 (USED ON MODELS 157/158 - FRENCH & GERMAN	105
55. BAG ASSEMBLY B2570002 - DOMESTIC (USED ON MODEL 257, 258)	105
56. BAG ASSEMBLY B4640004 - DOMESTIC (USED ON MODELS 464, 465)	106
57. BAG ASSEMBLY B4640002 (USED ON MODEL 464, 465 - UNITED KINGDOM ONLY)	106
58. BAG ASSEMBLY B4640000 (USED ON MODELS 464, 465 - FRENCH AND GERMAN)	107
59. BAG ASSEMBLY B4840007 (USED ON MODEL 484 WITH CAN DRINK OPTION - 110V)	108
60. BAG ASSEMBLY B4840006 (USED ON MODEL 484 WITH REFRIGERATED/FROZEN FOOD OPTION - 110V)	109
61. BAG ASSEMBLY B487000 (USED ON MODEL 487/W CAN DRINK OPTION - UNITED KINGDOM)	110
62. BAG ASSEMBLY B4870007 (USED ON 487 WITH CAN DRINK OPTION - FR & GER)	111
63. BAG ASSEMBLY B4870001 (USED ON 487/W FROZEN & REFRIGERATED FOOD MODULES - UNITED KINGDOM)	112
64. BAG ASSEMBLY B4870008 (USED ON 487 WITH FROZEN & REFRIGERATED FOOD MODULES - FR & GER)	113
65. CAN AND REFRIGERATION MODULE	115
66. REFRIGERATION MODULE ASSEMBLY - CAN (110V) - NO CHILL	116
67. REFRIGERATION MODULE ASSEMBLY - CAN (230 V) - CHILLED	117
68. MOTOR AND EJECTOR MOUNTING CHANNEL ASSEMBLY	119
69. CAN UNIT FRAME ASSEMBLY	121
70. CAN COMPARTMENT ASSEMBLY	123
71. REFRIGERATION MODULE - CHILLED SNACK	125
72. REFRIGERATION UNIT - CHILLED SNACK	126
73. REFRIGERATED FOOD MODULE AND HOUSING ASSEMBLY	129
74. MAJOR COMPONENTS - REFRIGERATED FOOD MODULE	131
75. REFRIGERATION MODULE ASSEMBLY - FOOD (110V)	132
76. REFRIGERATION MODULE ASSEMBLY - FOOD (230 V)	133
77. FOOD MODULE DOOR FRAME ASSEMBLY	135
78. REFRIGERATED AND FROZEN FOOD MODULE - INTERIOR VIEW (PART 1 OF 2)	137
79. REFRIGERATED AND FROZEN FOOD MODULE - INTERIOR VIEW (PART 2 OF 2)	139
80. GENERAL TRAY ASSEMBLIES - REFRIGERATED FOOD MODULE	141
81. PUSHER MODULE ASSEMBLY	143
82. BELT MODULE ASSEMBLY	145
83. SPIRAL MODULE ASSEMBLY	147
83 A. SPIRAL OPTIONS (FOR REFRIG. / FROZEN FOOD TRAYS)	147



Snack / Refreshment Center 2 Parts Manual

TABLE	PAGE
84. DOOR ASSEMBLY - REFRIGERATED FOOD MODULE	149
85. LEFT HAND DRIVE ARM ASSEMBLY	151
86. RIGHT HAND DRIVE ARM ASSEMBLY	153
87. MOTOR MOUNTING BRACKET ASSEMBLY	155
88. FROZEN FOOD MODULE AND HOUSING ASSEMBLY	157
89. MAJOR COMPONENTS - FROZEN FOOD MODULE	159
90. FROZEN MODULE ASSEMBLY - FOOD (110 V)	160
91. FROZEN MODULE ASSEMBLY - FOOD (220 V)	161
92. DOOR ASSEMBLY - FROZEN FOOD MODULE	163

CRANE

This document is available free of
charge to our customers.
Crane Merchandising Systems



NOTES . . .

CRANE

This document is available free of charge to our customers.
Crane Merchandising Systems

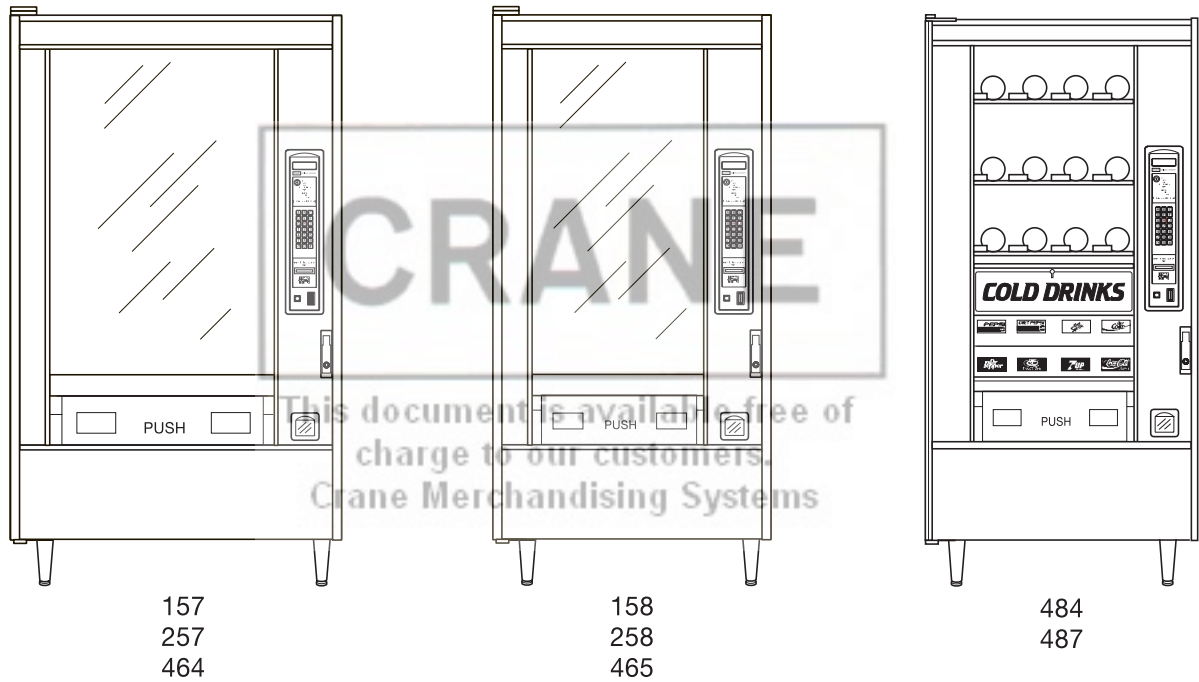


Figure 1. Model Identification

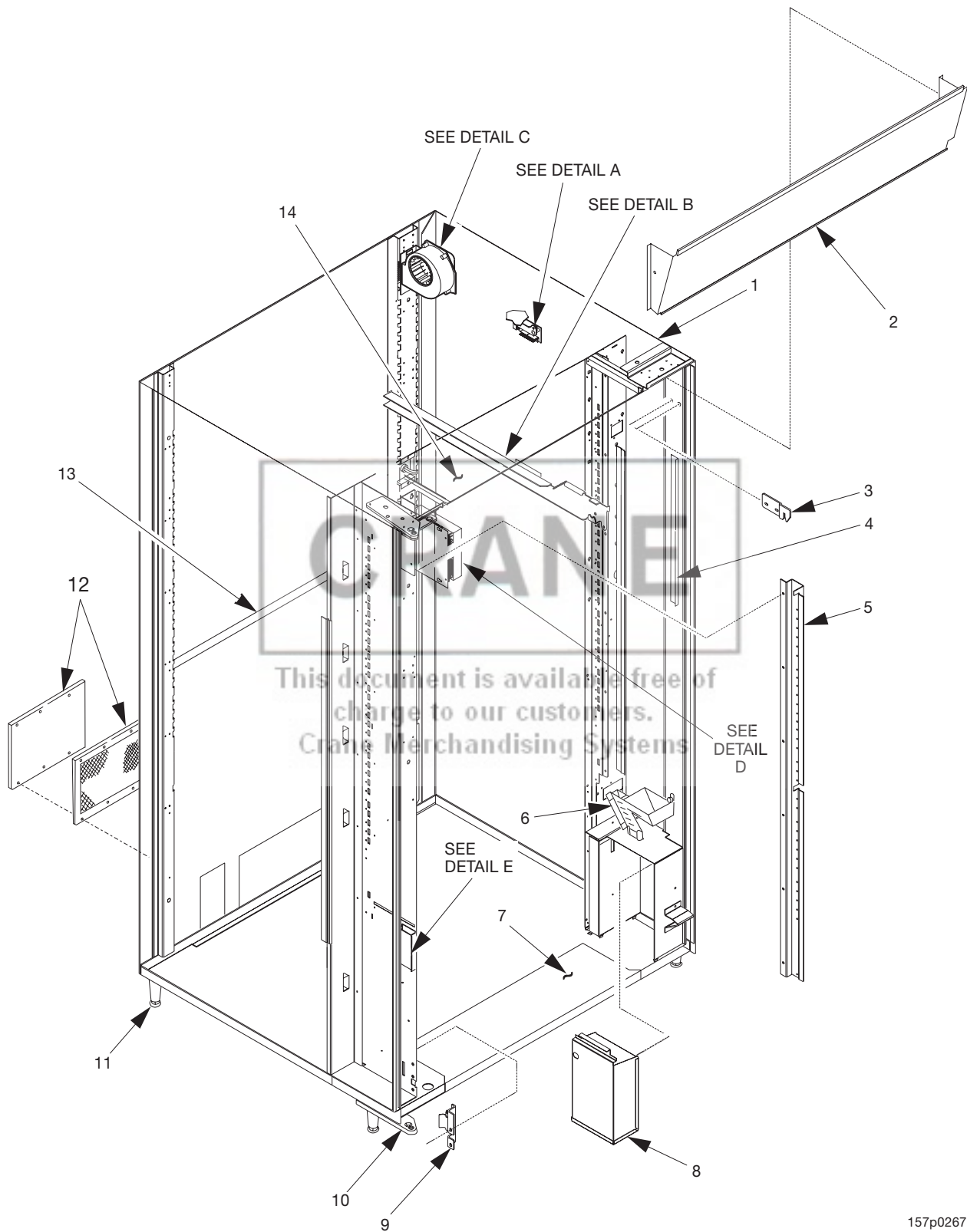


Figure 2. Common Cabinet (Part 1 of 4)

157p0267



Snack / Refreshment Center 2 Parts Manual

TABLE 2. COMMON CABINET (PART 1 OF 4)

INDEX	PART NUMBER	DESCRIPTION	QTY.
1	1571185	CABINET ASSEMBLY - NV BLACK (157, 257) (IMPERIAL CROWN & SIGNATURE)	1
	1571188	CABINET ASSEMBLY - MILL. GRAY (157, 257)	
	1571200	CABINET ASSEMBLY - NV BLACK (464 - IMPERIAL CROWN, SIGNATURE, MILLENNIA BLACK)	
	1571201	CABINET ASSEMBLY - MILL. GRAY (464)	
	1581055	CABINET ASSEMBLY - N.V. BLACK (158, 258)	
	1581058	CABINET ASSEMBLY - MILL. GRAY (158, 258)	
	1581068	CABINET ASSEMBLY - NV BLACK (465, 484, 487 -IMPERIAL CROWN, SIGNATURE & MILLENNIA BLACK)	
	1581069	CABINET ASSEMBLY - MILLENNIA GRAY (465, 484, 487)	
	4871009	CABINET ASSEMBLY - SELECTA WHITE (487 -MILLENNIA)	
2	1571102	PANEL - FILLER (157, 257, 464)	1
3	1571074	LOCK ARM - CABINET	2
4	1571022	STOP - MONETARY PANEL	2
5	1571119	RAIL MOUNTING CHANNEL - L.H.	1
6	6231242	CHUTE - PAYOUT	1
7	1571187	BASE FILLER ASSEMBLY - NV BLACK (157, 257, 464 -IMPERIAL CROWN, SIGNATURE & MILLENNIA BLACK)	1
	1571190	BASE FILLER ASSEMBLY - MILL. GRAY (157, 257, 464 -MILLENNIA GRAY)	
	1581057	BASE FILLER ASSEMBLY - NV BLACK (158, 258, 465, 484, 487)	
	1581060	BASE FILLER ASSEMBLY - MILL GRAY (158, 258, 465, 484, 487)	
	4871011	BASE FILLER ASSEMBLY - SELECTA WHITE (158, 258, 465, 484, 487)	
8	1571029	MONEY BOX ASSEMBLY	1
9	1571090	PLATE ASSEMBLY - DOOR CHECK	1
10	6231163	LEG, HINGE & LEVELER ASSEMBLY (SEE FIGURE 51 FOR DETAILS)	1
11	1471237	LEG & LEVELER ASSEMBLY - CABINET (SEE FIGURE 51 FOR DETAILS)	3
12	1581067	PLATE - CABINET BACK (157, 158, 257, 258)	1
	4521021	SCREEN ASSEMBLY - VENT (464, 465, 484, 487)	
13	1481057	ANGLE - RECEPTACLE MOUNTING (484, 487 WITH CAN DRINK OPTION)	1
	4401026	ANGLE - RECEPTACLE MOUNTING (484, 487 WITH FOOD MODULE)	
14	1571186	TOP FILLER ASSEMBLY - NV BLACK (157, 257, 464 - IMPERIAL CROWN, SIGNATURE & MILLENNIA BLACK)	1
	1571189	TOP FILLER ASSEMBLY - MILL. GRAY (157, 257, 464)	
	1581056	TOP FILLER ASSEMBLY - NV BLACK (158, 258, 465, 484, 487)	
	1571059	TOP FILLER ASSEMBLY - MILL. GRAY (158, 258, 465, 484, 487)	
	4871010	TOP FILLER ASSEMBLY - SELECTA WHITE (158, 258, 465, 484, 487)	

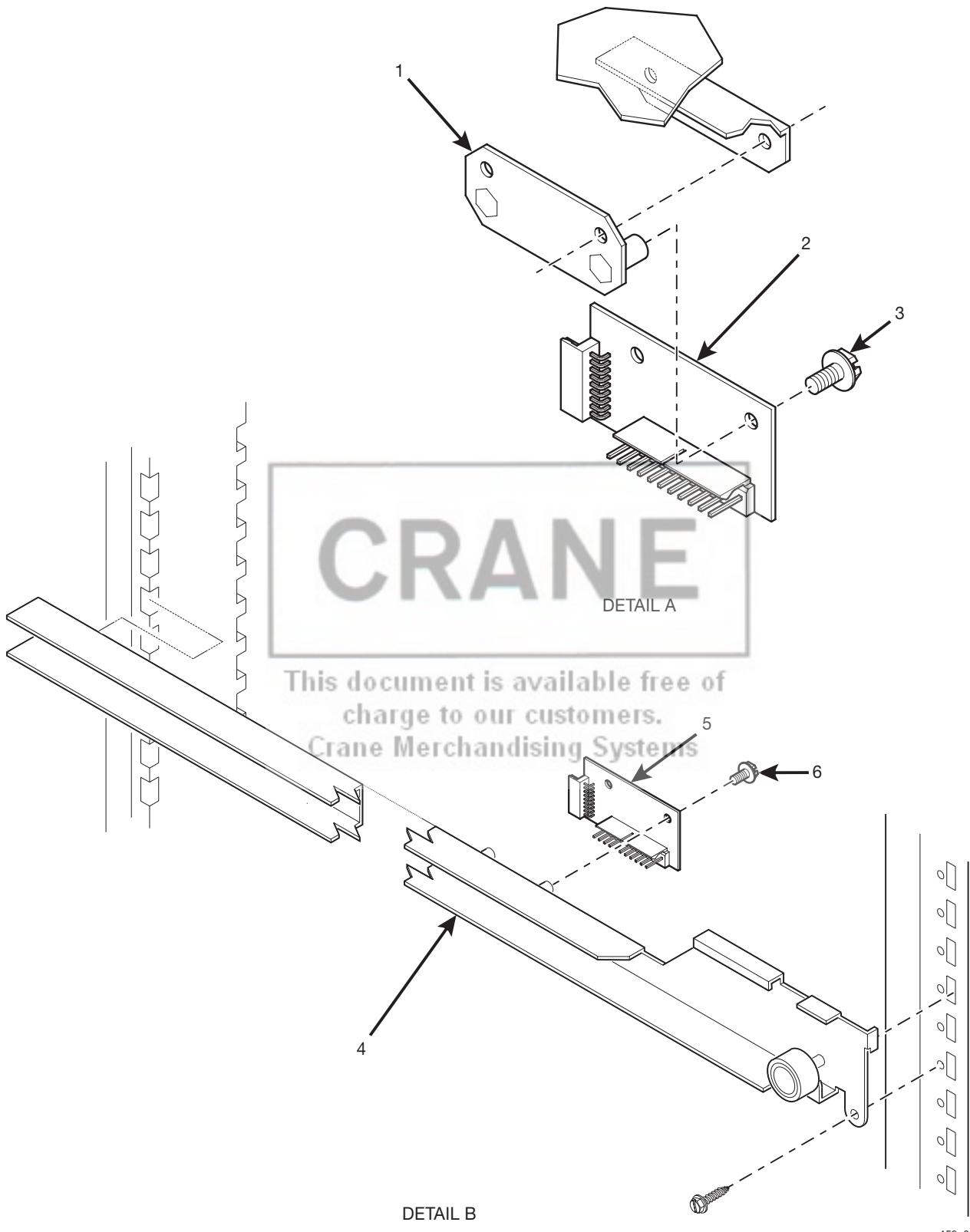


Figure 3. Common Cabinet (Part 2 of 4)



Snack / Refreshment Center 2 Parts Manual

TABLE 3. COMMON CABINET (PART 2 OF 4)

INDEX	PART NUMBER	DESCRIPTION	QTY.
1	1571175	PLATE - PCB RAIL - MOUNTING	1
2	1596012	PCB ASSEMBLY - TRAY	1
3	1451097	SCREW - #8-32 X .31 - HEX HD - T/F - BLACK	2
-	1571182	TRAY GUIDE RAIL/PCB ASSEMBLY - RIGHT HAND (INCLUDES INDEX NUMBERS 4 - 6)	★
4	1571179	TRAY GUIDE RAIL - W/STANDOFFS	1
5	1596012	PCB ASSEMBLY - TRAY	1
6	1451097	SCREW - #8-32 X .31 - HEX HD - T/F - BLACK	2
-	1571180	TRAY GUIDE RAIL ASSEMBLY - RIGHT HAND (TOP TRAY) (NOT SHOWN)	1
-	1571181	TRAY GUIDE RAIL ASSEMBLY - LEFT HAND (ALL TRAYS) (NOT SHOWN)	★

★ QUANTITY = 1 PER TRAY IN MACHINE



This document is available free of charge to our customers.
Crane Merchandising Systems

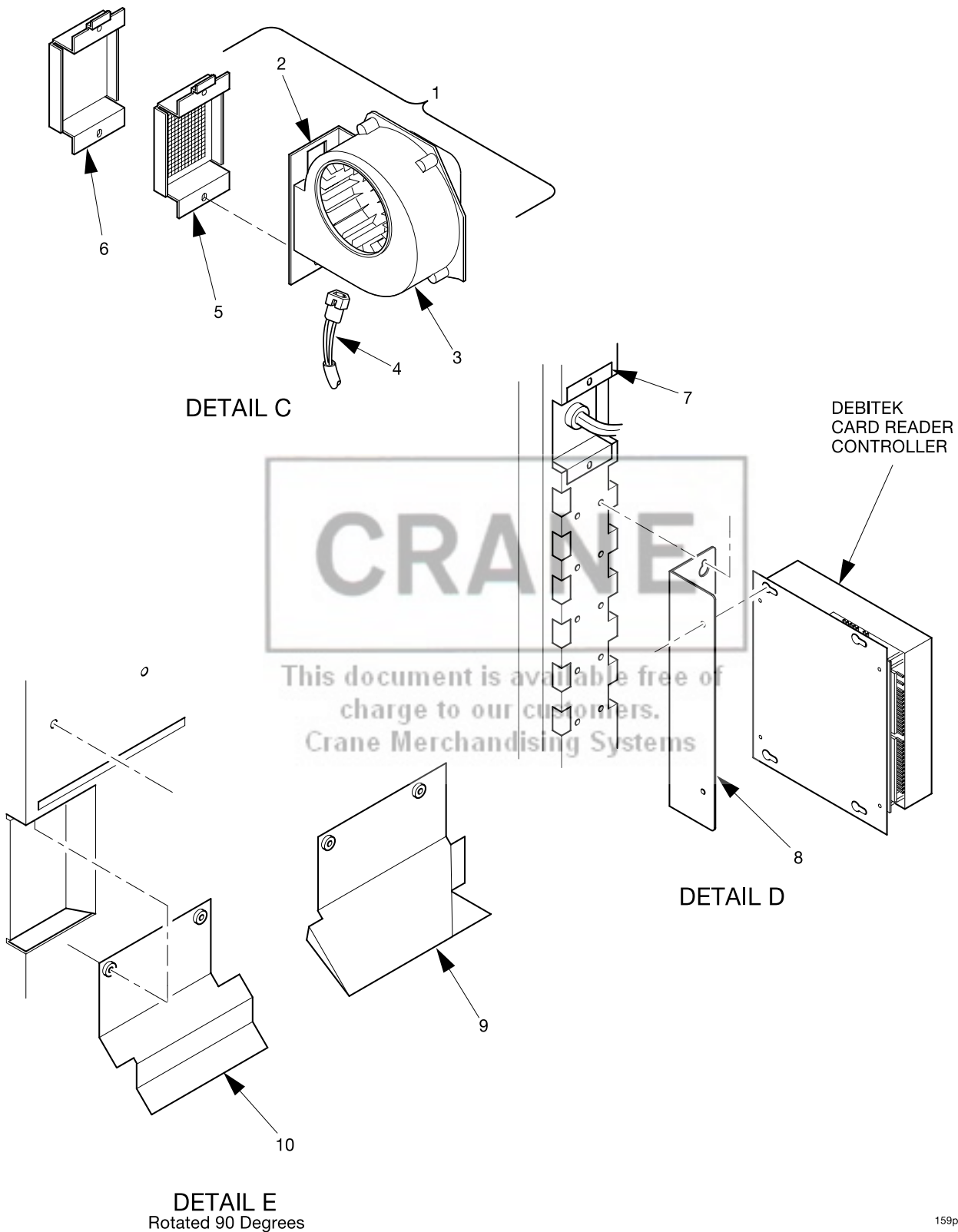


Figure 4. Common Cabinet (Part 3 of 4)



Snack / Refreshment Center 2 Parts Manual

TABLE 4. COMMON CABINET (PART 3 OF 4)

INDEX	PART NUMBER	DESCRIPTION	QTY
1	-	FAN OPTION	OPT
2	1471398	BRACKET - EXHAUST FAN	1
3	6231548	BLOWER ASSEMBLY - 120V	1
	6401088	BLOWER ASSEMBLY - 230V	
4	9989637	JUMPER - BLOWER	1
5	1471054	BRACKET & SCREEN ASSEMBLY - EXHAUST	1
6	1471090	COVER - FAN HOLE (NO FAN OPTION ONLY)	OPT
7	1471065	BRACKET - MOUNTING - POWER CORD	1
8	1575050	BRACKET - DEBITEK CONTROLLER	1
9	1581039	DEFLECTOR ASSEMBLY - SMALL SNACK	1
10	1571123	DEFLECTOR - LARGE SNACK	1

CRANE

This document is available free of
charge to our customers.
Crane Merchandising Systems

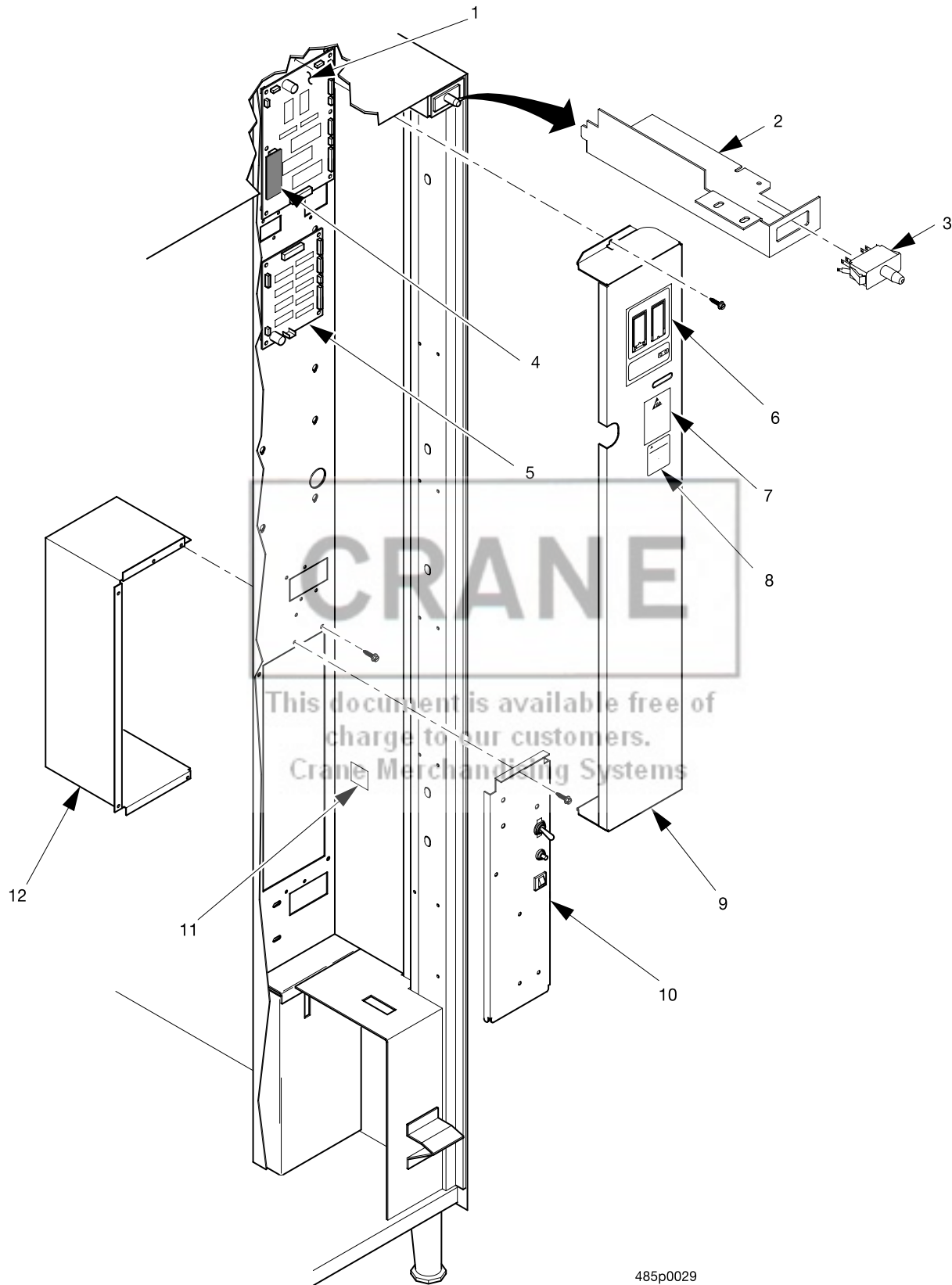


Figure 5. Common Cabinet (Part 4 of 4)

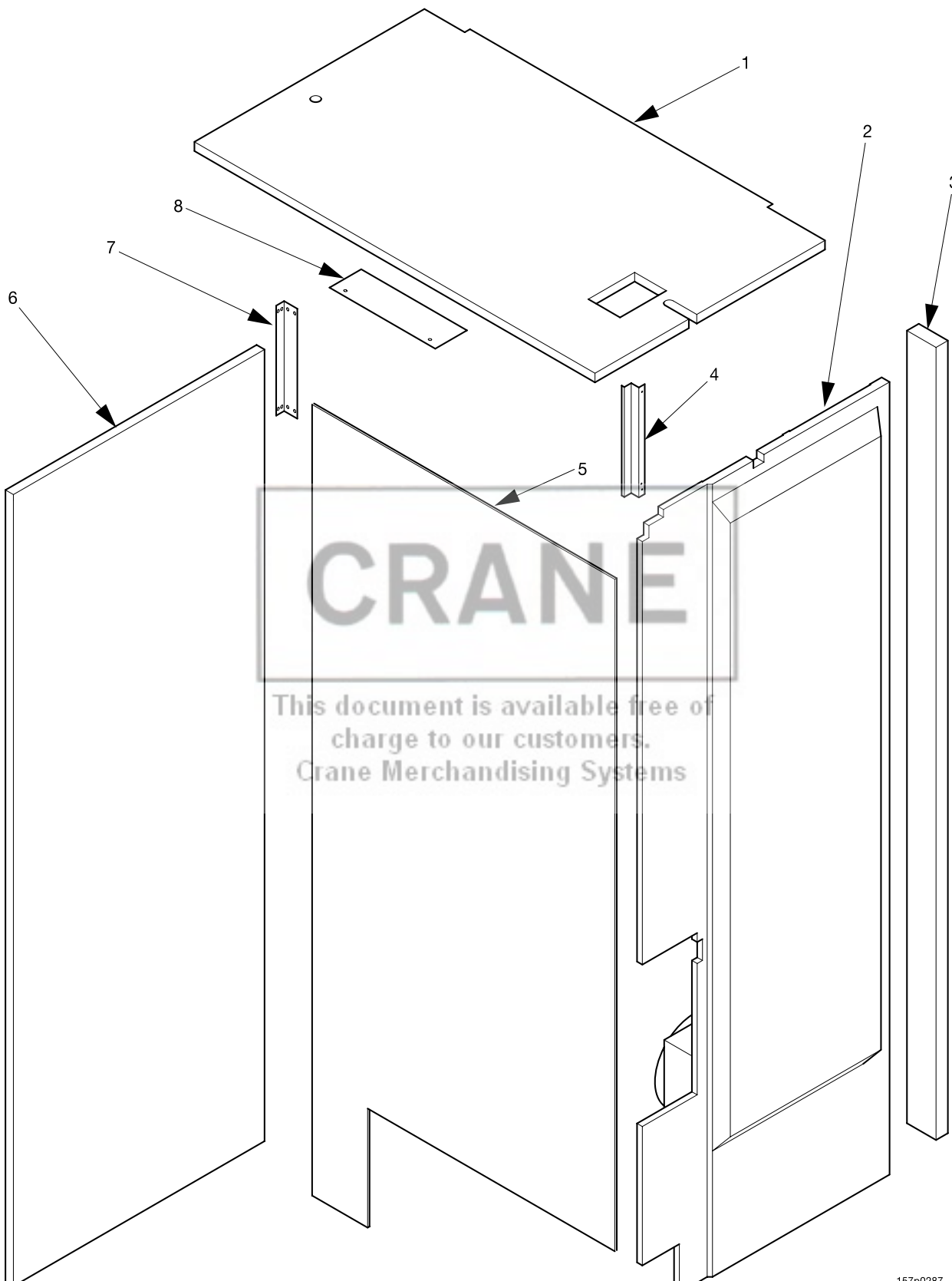


Snack / Refreshment Center 2 Parts Manual

TABLE 5. COMMON CABINET (PART 4 OF 4)

INDEX	PART NUMBER	DESCRIPTION	QTY
-	1586015	MAIN CONTROLLER WITH EPROM (INCLUDES ITEM 1)	1
1	9989751	PCB ASSEMBLY - MAIN CONTROLLER	1
2	1571021	BRACKET - SWITCH INTERLOCK	1
3	1211141	SWITCH INTERLOCK (115V MACHINES)	1
3	2366135	SWITCH INTERLOCK (230V MACHINES)	1
4	9989687	PCB ASSEMBLY - EXECUTIVE INTERFACE (USED WITH EXEC COIN MECH. OPTION)	1
5	1576008	PCB ASSEMBLY - SNACK INTERFACE	1
6	1571042	LABEL - LED & EPROM - ENGLISH	1
7	1571154	LABEL - CAUTION - STATIC/ELECT. CONN.	1
8	6231189	LABEL - WARNING - HIGH VOLTAGE - ENGLISH	1
9	1571112	COVER - CONTROL/INTERFACE PCB	1
10	4521041	POWER PANEL ASEMBLY - 230V (MODELS 157, 158, 464, 465, 487 - FRENCH & GERMAN)	1
	4521020	POWER PANEL ASSEMBLY - 230V (MODELS 464, 465, 487 - UNITED KINGDOM)	
	4841012	POWER PANEL ASSEMBLY - 115V	
	4522020	POWER PANEL ASSEMBLY - UK 230V - W/O FILTER (MODELS 157, 158 - UNITED KINGDOM)	
11	4761148	LABEL - EARTHING	1
12	1571032	HOUSING - POWER PANEL	1

This document is available free of charge to our customers.
Crane Merchandising Systems



This document is available free of charge to our customers.
Crane Merchandising Systems

157p0287

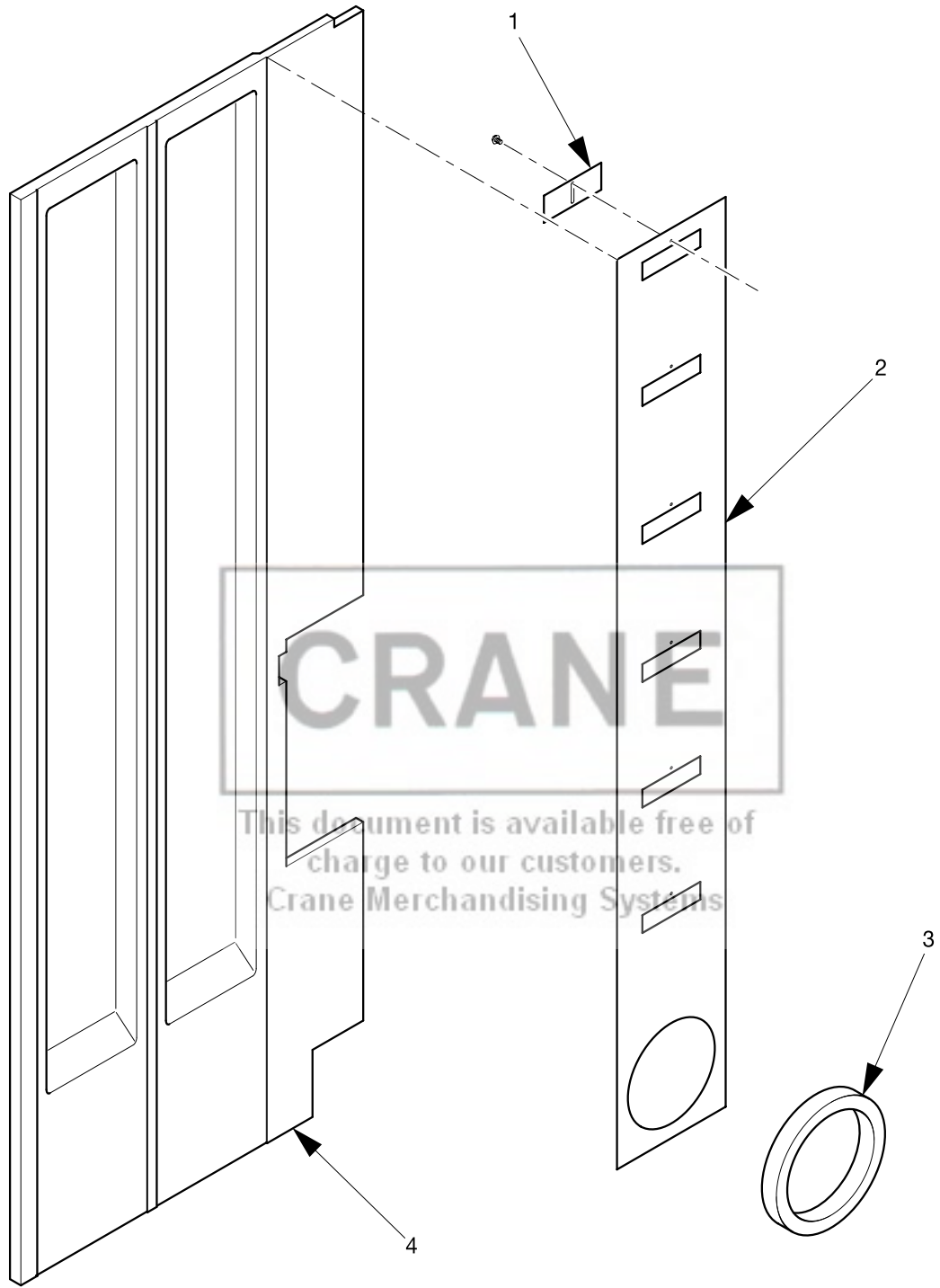
Figure 6. Cabinet Insulation for Chilled Snack or Chilled RC-2



Snack / Refreshment Center 2 Parts Manual

TABLE 6. CABINET INSULATION FOR CHILLED SNACK OR CHILLED RC-2

INDEX	PART NUMBER	DESCRIPTION	QTY
1	4641056	INSULATION - CABINET TOP - 32" - BLACK (INTERNATIONAL MODELS 465 AND 487)	1
	4641077	INSULATION - CABINET TOP - 38" - WHITE (U.S. MODEL 464)	
	4641081	INSULATION - CABINET TOP - 38" - BLACK (INTERNATIONAL MODEL 464)	
	4651021	INSULATION - CABINET TOP - 32" - WHITE (U.S. MODEL 465)	
2	4641079	COVER & AIR DUCT ASSEMBLY - WHITE (U.S. MODELS ONLY) (SEE FIGURE 7 FOR DETAILS)	1
	4911004	COVER & AIR DUCT ASSEMBLY - BLACK (INTERNATIONAL MODELS ONLY) (SEE FIGURE 7 FOR DETAILS)	
3	4641055	INSULATION - RIGHT HAND SIDE PIECE - BLACK (INTERNATIONAL MODELS ONLY)	1
	4641080	INSULATION - RIGHT HAND SIDE PIECE - WHITE (U.S. MODELS ONLY)	
4	4641009	"W" BRACKET - INSULATION MOUNTING	-
5	4641058	INSULATION - CABINET BACK - 38" - BLACK (INTERNATIONAL MODEL 464 ONLY)	1
	4641064	INSULATION - CABINET BACK - WHITE (U.S. MODEL 464 ONLY)	
	4641066	INSULATION - CABINET BACK - WHITE (U.S. MODEL 465 ONLY) (NOT SHOWN)	
	4641068	INSULATION - CABINET BACK - 32" - BLACK (INTERNATIONAL MODELS 465 AND 487) (NOT SHOWN)	
6	4641076	INSULATION - LEFT HAND SIDE - FULL - WHITE (U.S. MODELS)	1
	4911005	INSULATION - LEFT HAND SIDE - FULL - BLACK (INTERNATIONAL MODELS)	
7	4981001	ANGLE - INSULATION - REAR	-
8	4621003	RETAINER - TOP INSULATION	-



157p0286

Figure 7. Cover and Air Duct Assembly



Snack / Refreshment Center 2 Parts Manual

TABLE 7. COVER AND AIR DUCT ASSEMBLY

INDEX	PART NUMBER	DESCRIPTION	QTY
1	4611007	SHUTTER - AIR DUCT	12
2	4641025	COVER - AIR DUCT - BLACK	2
3	4614126	GASKET - AIR DUCT	2
4	4641054	INSULATION - AIR DUCT RIGHT HAND SIDE - BLACK (INTERNATIONAL MODELS)	1
	4641078	INSULATION - AIR DUCT RIGHT HAND SIDE - WHITE (U.S. MODELS)	

CRANE

This document is available free of charge to our customers.
Crane Merchandising Systems

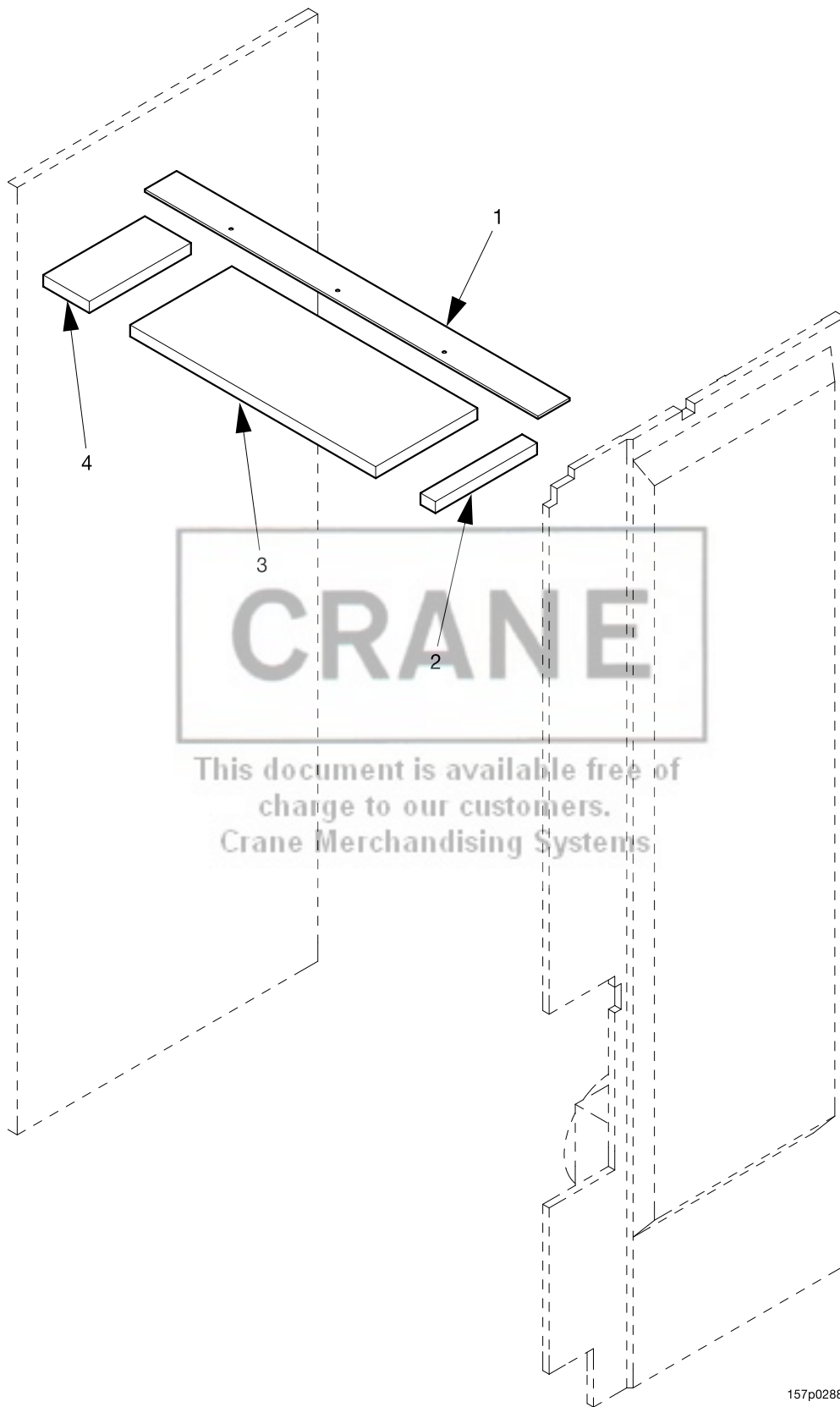


Figure 8. Additional Insulation for Tropical Models



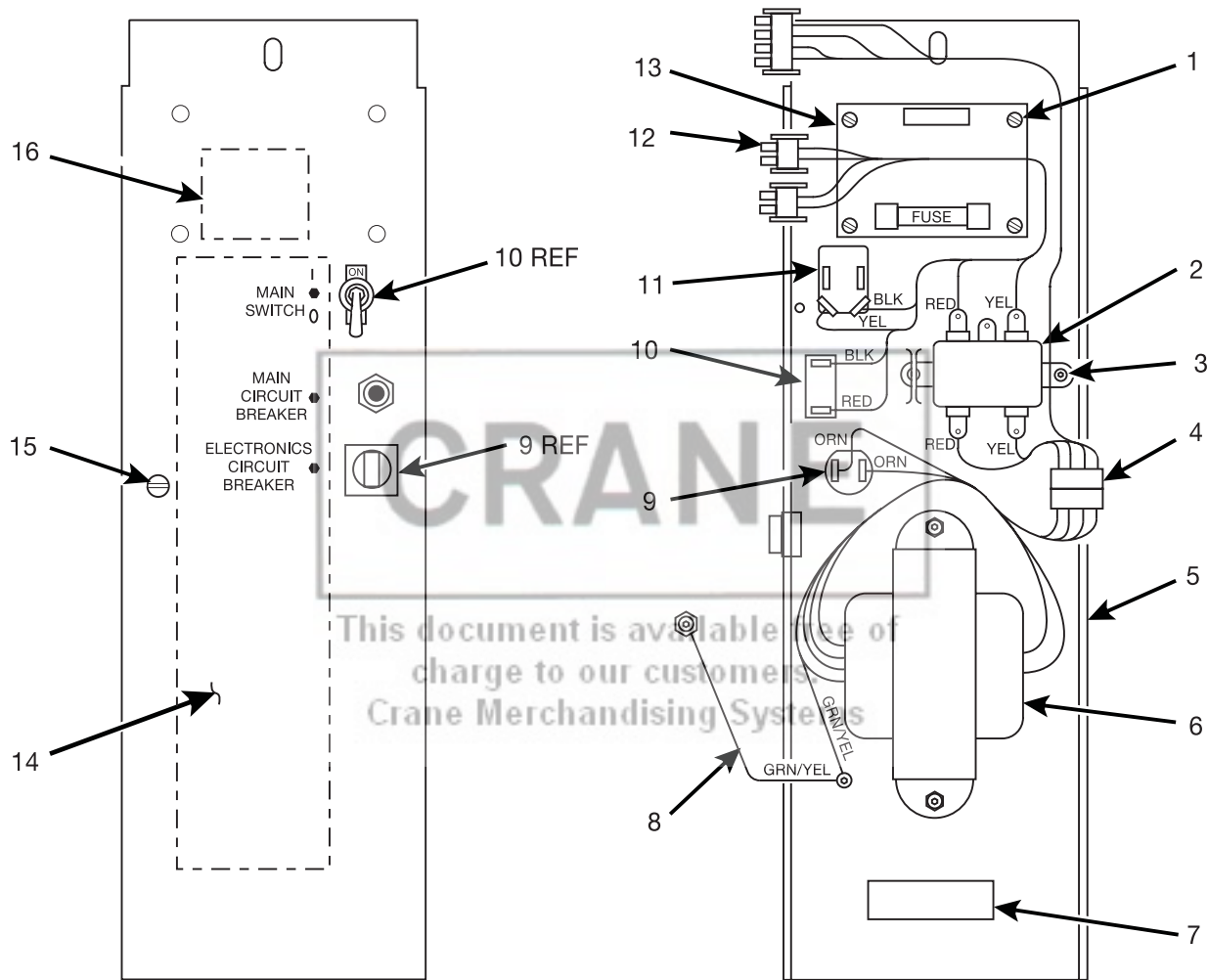
Snack / Refreshment Center 2 Parts Manual

TABLE 8. ADDITIONAL INSULATION FOR TROPICAL MODELS

INDEX	PART NUMBER	DESCRIPTION	QTY
1	4641043	INSULATION - TOP - CHANNEL (MODEL 464 ONLY)	1
	4651012	INSULATION - TOP - CHANNEL (MODELS 465 AND 487)	
2	4641031	INSULATION - TOP FRONT - RIGHT	1
3	4641033	INSULATION - TOP FRONT - CENTER (MODEL 464 ONLY)	1
	4651011	INSULATION - TOP FRONT - CENTER (MODELS 465 AND 487)	
4	4641032	INSULATION - TOP FRONT - LEFT	1

CRANE

This document is available free of
charge to our customers.
Crane Merchandising Systems



157p0268

Figure 9. Power Panel Assembly - U.S.

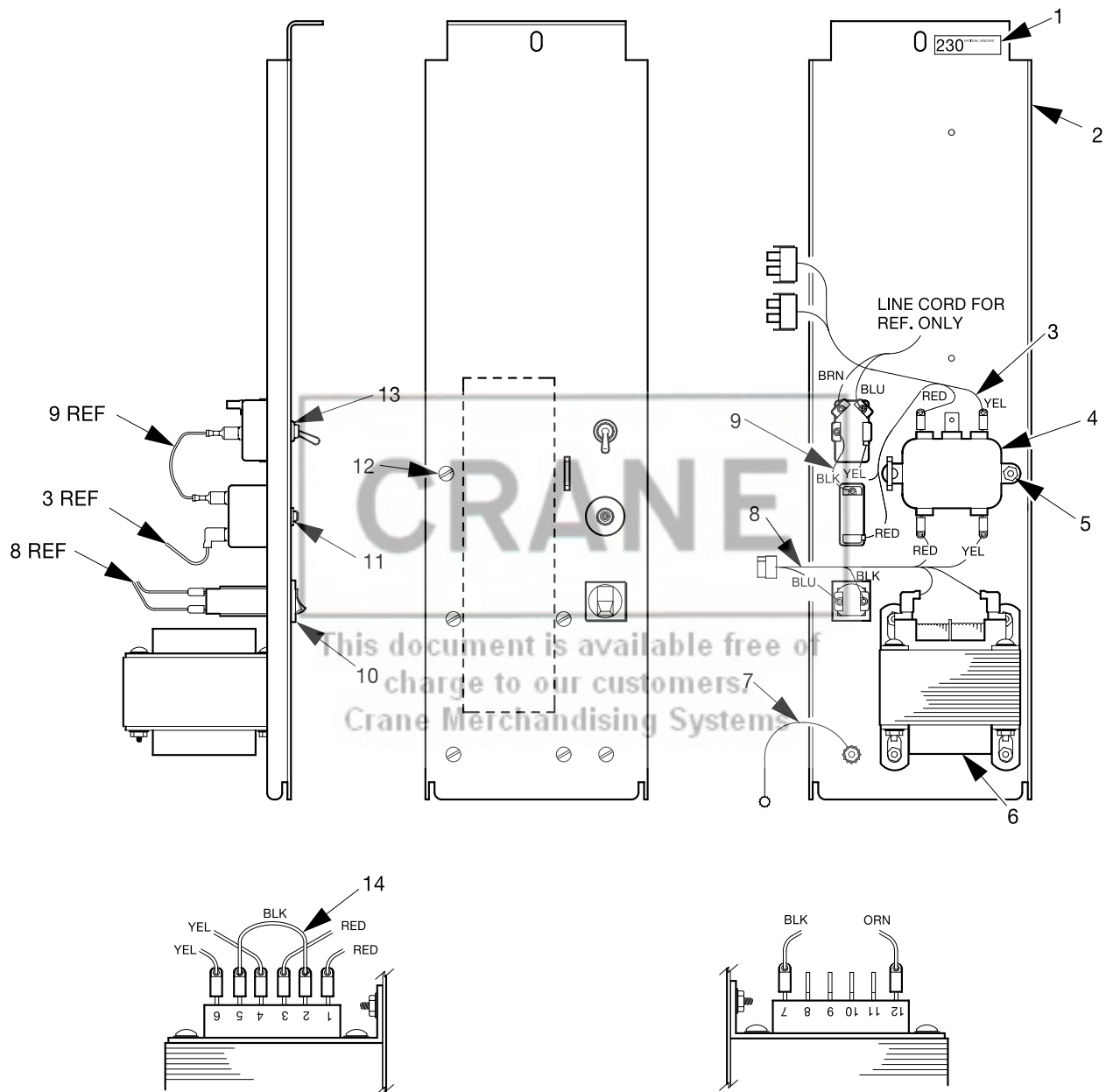


Snack / Refreshment Center 2 Parts Manual

TABLE 9. POWER PANEL ASSEMBLY - U.S.

INDEX	PART NUMBER	DESCRIPTION	QTY
-	4841012	POWER PANEL ASSEMBLY - DOMESTIC	1
1	1571035	STANDOFF - PCB - 3/8 SNAP LOCK	4
2	9989100	INTERFERENCE FILTER	1
3	9900081	NUT #8-32 KEPS ZINC PLATE	-
4	1579017	HARNESS - COIN HANDLING - POWER	1
5	1571040	PLATE & STUD ASSEMBLY - POWER - DOM.	1
6	9989042	TRANSFORMER - 115V/230V PRIMARY, 24V SECONDARY	1
7	9989369	LABEL - NV BLANK	1
8	9984165	JUMPER - GROUND WIRE	1
9	9989336	CIRCUIT BREAKER - 3 AMP	1
10	9989672	CIRCUIT BREAKER - 3 AMP	1
11	9984629	SWITCH - TOGGLE - DPST - 20 AMP	1
12	1579013	HARNESS - POWER PANEL - DOMESTIC	1
13	9989659	PCB ASSEMBLY - DUMB MECH POWER SUPPLY	1
14	4311117	LABEL -PWR CONT PNL- 115V - U.S.	1
15	1211110	8-32 X 1/4 RHS MACHINE SCREW ZP	1
16	1570057	LABEL - COIN MECH. FUSE - ENGLISH	1

This document is available free of
charge to our customers.
Crane Merchandising Systems



485p0013

Figure 10. Power Panel Assembly - Models 157 & 158 - U.K.



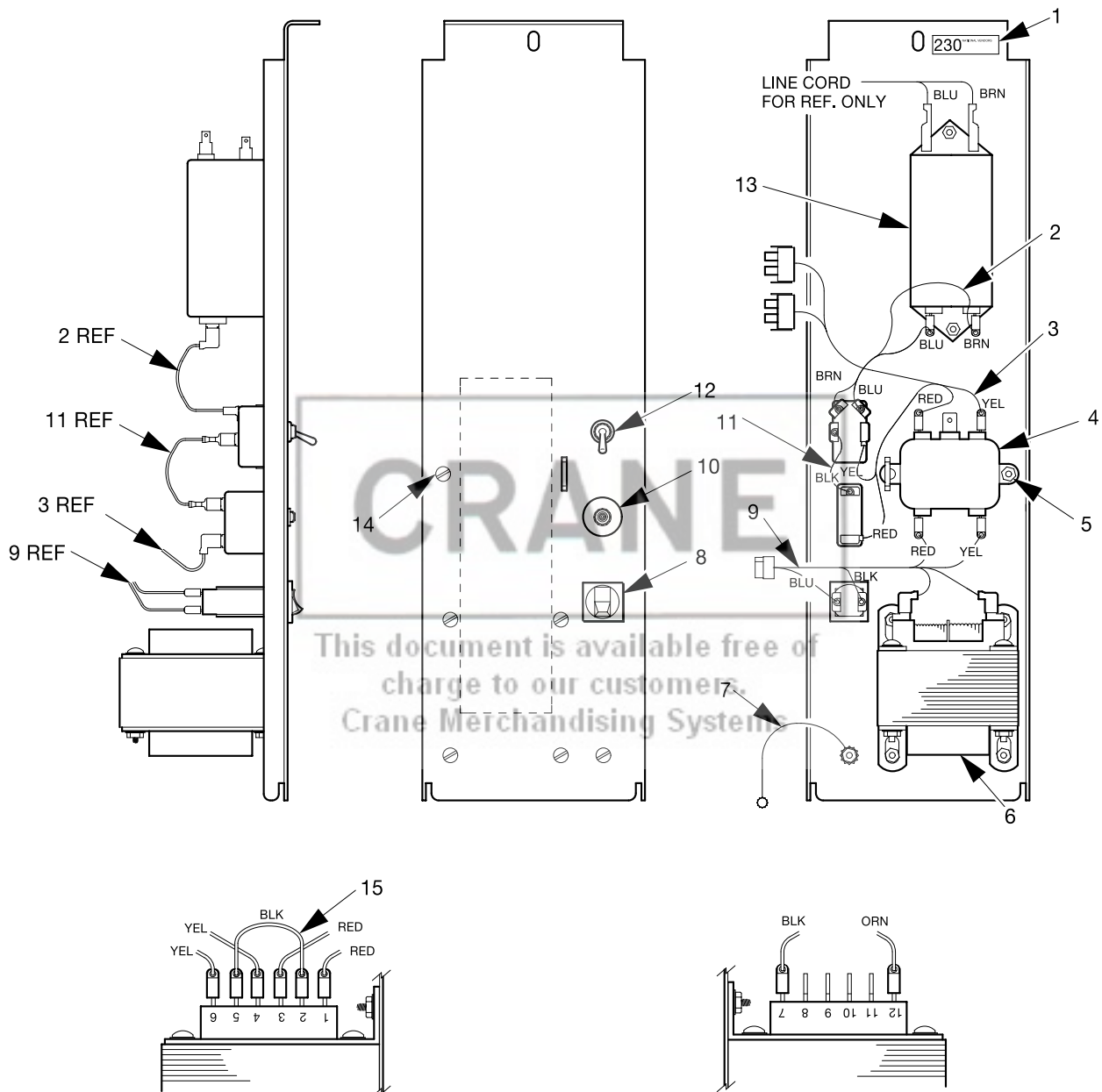
Snack / Refreshment Center 2 Parts Manual

TABLE 10. POWER PANEL ASSEMBLY - MODELS 157 & 158 - U.K.

INDEX	PART NUMBER	DESCRIPTION	QTY
-	4522020	POWER ASSEMBLY - UK - 230V - W/O FILTER	1
1	4311118	LABEL - PWR CONT PNL - 220V - U.K.	1
2	1701025	PLATE - HOUSING - PANEL	1
3	1709000	HARNESS - POWER PANEL - INTERNATIONAL	1
4	9989100	INTERFERENCE FILTER	1
5	9900081	NUT - #8-32 KEPS ZINC PLATE	6
6	9989046	24V XFMR - DUAL PIR. - .187 TERM.	1
7	9984165	JUMPER - GROUND WIRE	1
8	1709001	JUMPER - TRANSFORMER - INTERNATIONAL	1
9	1709006	JUMPER - MAIN SWITCH TO BREAKER	1
10	9989674	CIRCUIT BREAKER - 4 AMP	1
11	9989672	BREAKER - 15A	1
12	1211110	SCREW - 8-32 X 1/4 RHS MACH SCR ZP	6
13	9984629	SWITCH - TOGGLE - DPST - 20 AMP	1
14	4279001	JUMPER - 230V - XFMR PRI	1

CRANE

This document is available free of
charge to our customers.
Crane Merchandising Systems



This document is available free of charge to our customers. Crane Merchandising Systems

485p0011

Figure 11. Power Panel Assembly - Models 464, 465, & 487 - U.K.



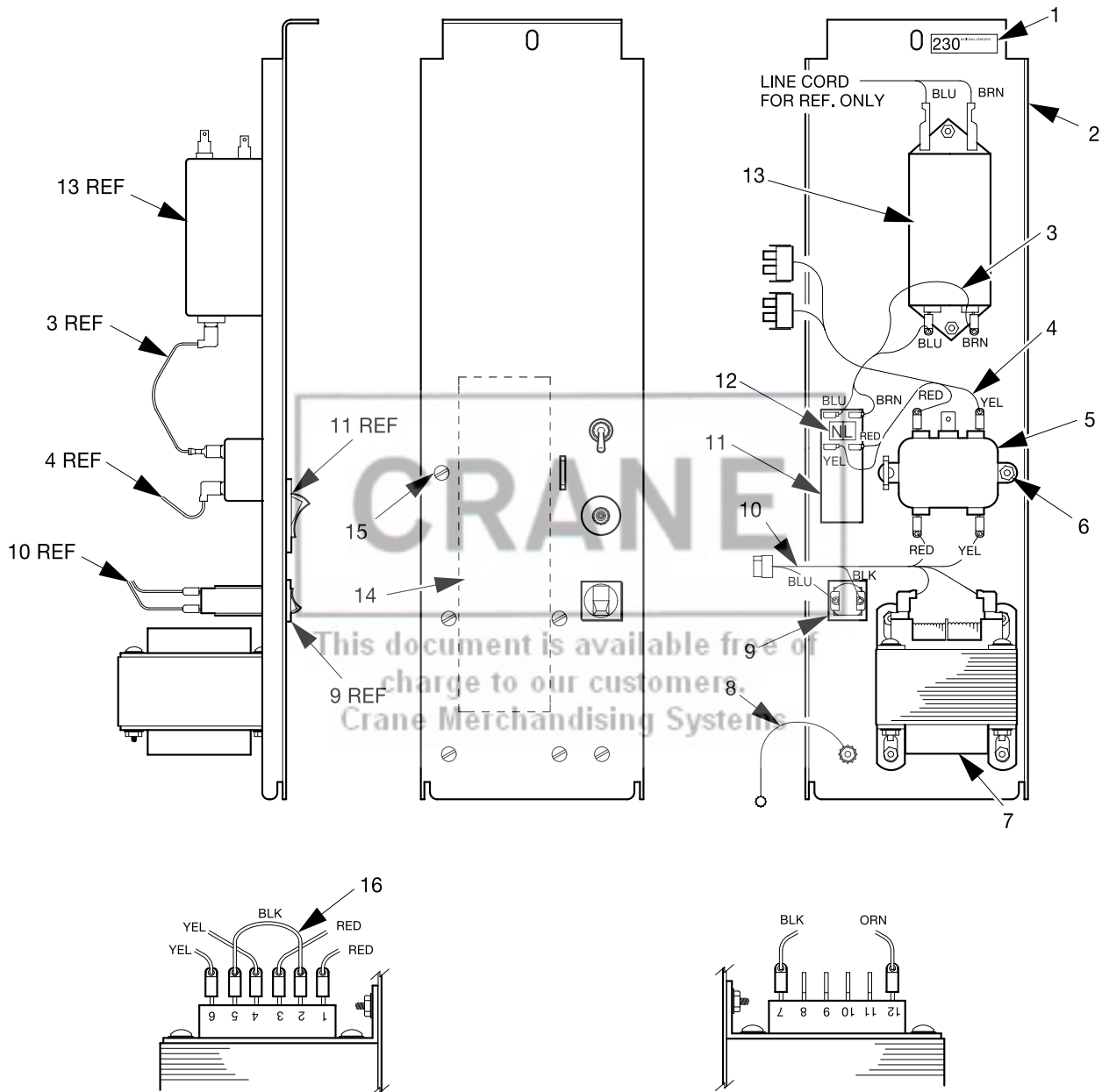
Snack / Refreshment Center 2 Parts Manual

TABLE 11. POWER PANEL ASSEMBLY - MODELS 464, 465, & 487 - U.K.

INDEX	PART NUMBER	DESCRIPTION	QTY
-	4521020	POWER PANEL ASSEMBLY - U.K. - 230V	REF
1	4311118	LABEL - PWR CONT PNL - 220V - U.K.	1
2	1709002	JUMPER - MAIN LINE FILTER	1
3	1709000	HARNESS - POWER PANEL - FOREIGN	1
4	9989100	INTERFERENCE FILTER	1
5	9900081	NUT #8-32 KEPS ZINC PLATE	8
6	9989046	TRANSFORMER - 24V - DUAL PIR. - .187 TERM.	1
7	9984165	JUMPER - GROUND WIRE	1
8	9989674	CIRCUIT BREAKER - 4 AMP	1
9	1709001	JUMPER - TRANSFORMER - FOREIGN	1
10	9989672	CIRCUIT BREAKER - 15 AMP	1
11	1709006	JUMPER - MAIN SWITCH TO BREAKER	1
12	9984629	SWITCH - TOGGLE - DPST - 20 AMP	1
13	9989110	FILTER - POWER LINE - EMI	1
14	1211110	SCREW	8
15	4279001	JUMPER - 230V - XFMR PRI	1

CRANE

This document is available free of
charge to our customers.
Crane Merchandising Systems



485p0012

Figure 12. Power Panel Assembly - 157, 158, 464, 465, 487 - France/Germany



Snack / Refreshment Center 2 Parts Manual

TABLE 12. POWER PANEL ASSEMBLY - 157, 158, 464, 465, 487 - FRANCE/GERMANY

INDEX	PART NUMBER	DESCRIPTION	QTY
-	4521041	POWER PANEL ASSEMBLY - 230V FR/GR	1
1	431118	LABEL - POWER CONT PNL - 220V	1
2	4521036	PLATE - HOUSING - PANEL - FR/GER	1
3	1709002	JUMPER - MAIN LINE FILTER	1
4	1709000	HARNESS - POWER PANEL - FOREIGN	1
5	9989100	INTERFERENCE FILTER	1
6	9900081	NUT #8-32 KEPS ZINC PLATE	8
7	9989046	TRANSFORMER - DUAL PIR. - .187 TERM.	1
8	9984165	JUMPER - GROUND WIRE	1
9	9989674	CIRCUIT BREAKER - 4 AMP	1
10	1709001	JUMPER - TRANSFORMER - FOREIGN	1
11	9984627	CIRCUIT BREAKER - SWITCH - 16 AMP	1
12	1571100	LABEL - SWITCH - LINE/NEUTRAL	1
13	9989110	FILTER - POWER LINE - EMI	1
14	4311118	LABEL - PWR CONT PNL - 220V - U.K.	1
15	1211110	SCREW - 8-32X1/4 RHS MACH ZP	8
16	4279001	JUMPER - 230V - XFMR PRI	1

This document is available free of
charge to our customers.
Crane Merchandising Systems

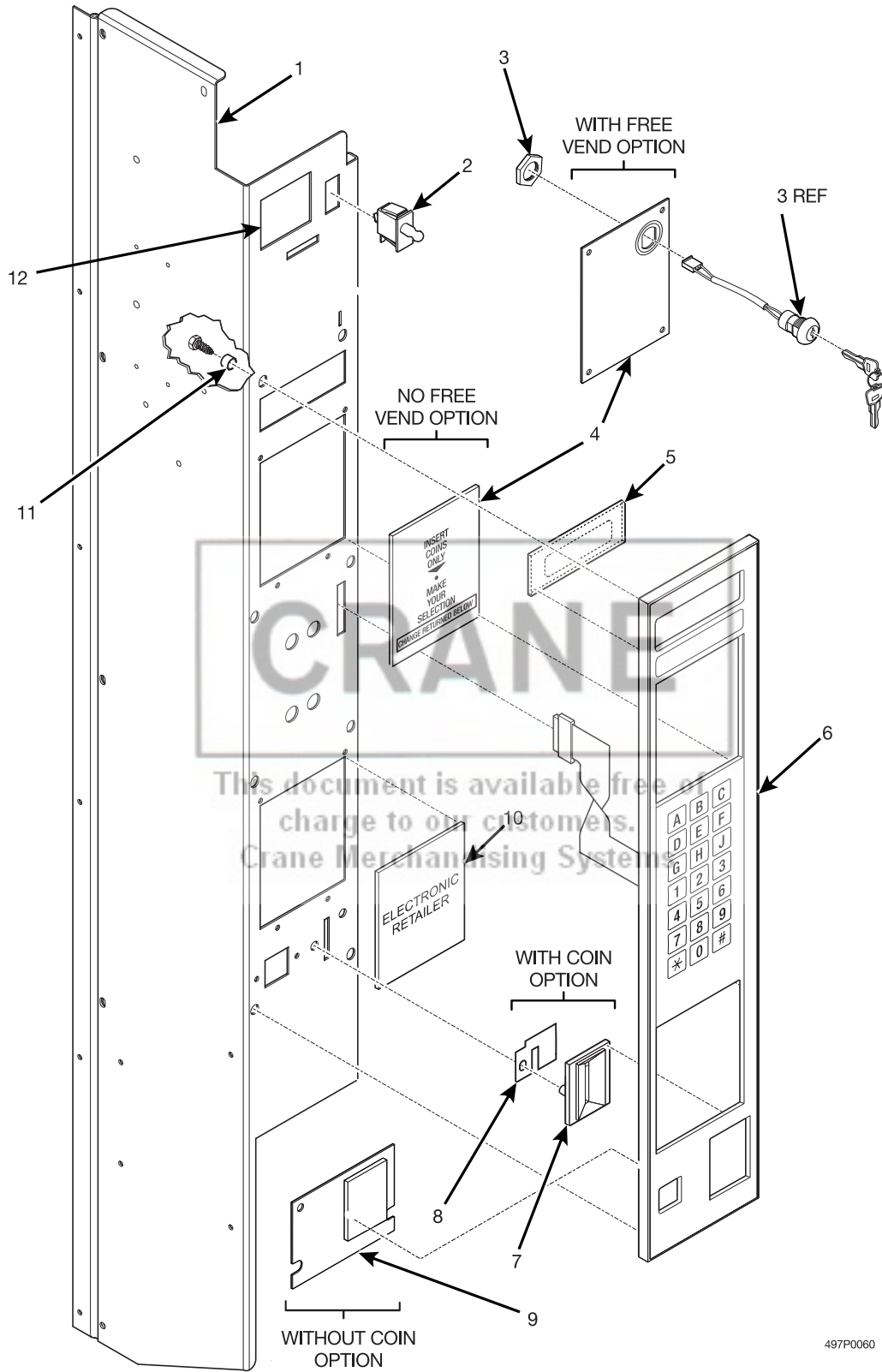


Figure 13. Monetary Panel Assembly (Part 1 of 4)



Snack / Refreshment Center 2 Parts Manual

TABLE 13. MONETARY PANEL ASSEMBLY (PART 1 OF 4)

INDEX	PART NUMBER	DESCRIPTION	QTY
1	1575068	MONETARY PANEL WELD ASSEMBLY - NV BLACK	1
	4875000	MONETARY PANEL WELD ASSEMBLY - SELECTA WHITE	
2	1401110	SWITCH - SERVICE	1
3	9989639	SWITCH ASSEMBLY - FREE VEND	1
4	-	UPPER MONETARY POSITION	-
5	1572013	LENS - DISPLAY	1
6	1575074	FACEPLATE ASSEMBLY (WITH COIN OPTION)	1
	1575075	FACEPLATE ASSEMBLY (NO COIN OPTION)	
7	1472223	COIN INSERT (WITH COIN OPTION)	1
8	1575044	COVER PLATE ASSEMBLY (NO COIN OPTION)	1
9	-	LOWER MONETARY POSITION	-
10	2302053	CUP SPACER	?
11	1571206	LABEL - NOTICE - TRAY REMOVAL - ENGLISH	1
	1571207	LABEL - NOTICE - TRAY REMOVAL - GERMAN	
	1571208	LABEL - NOTICE - TRAY REMOVAL - FRENCH	

CRANE

This document is available free of
charge to our customers.
Crane Merchandising Systems

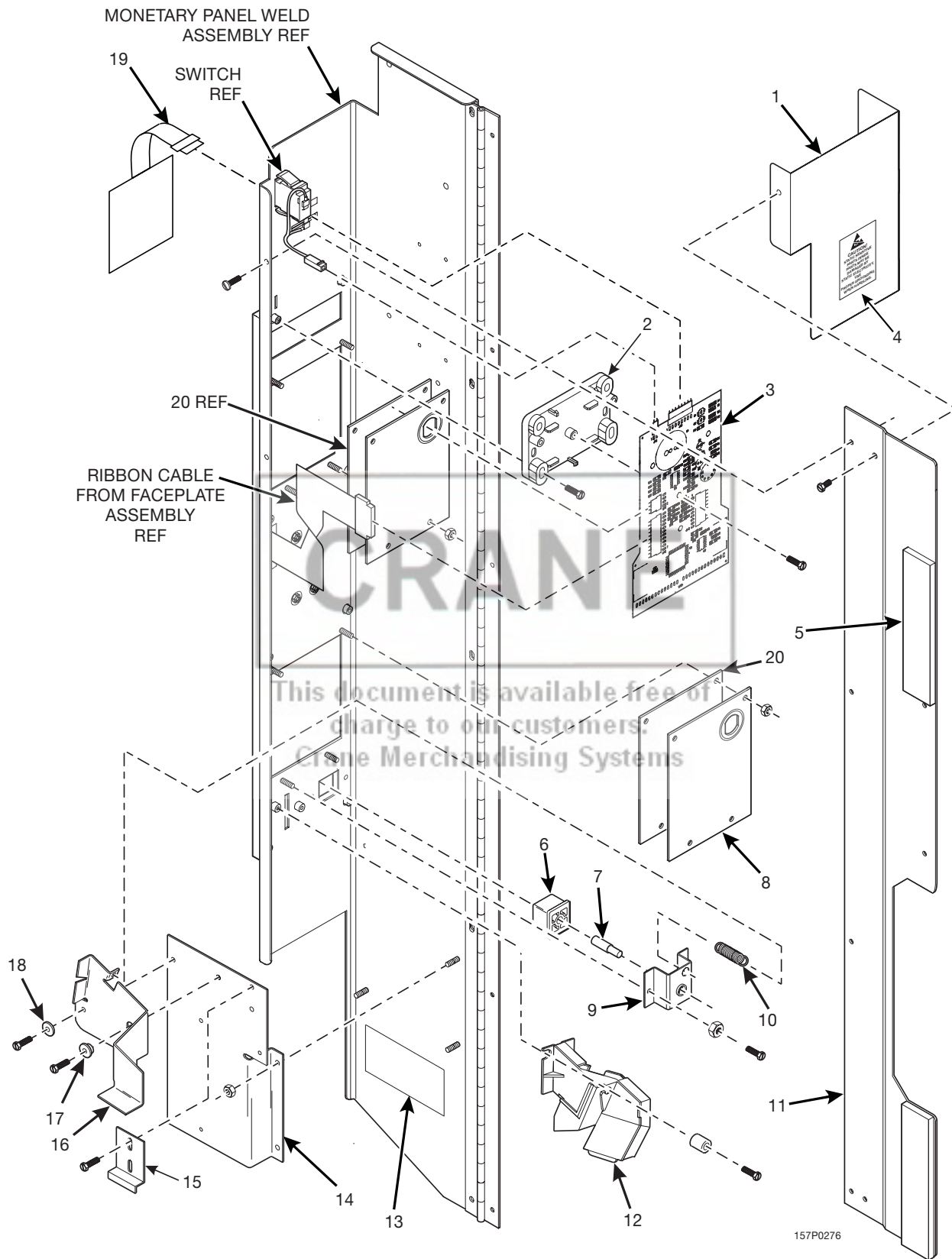


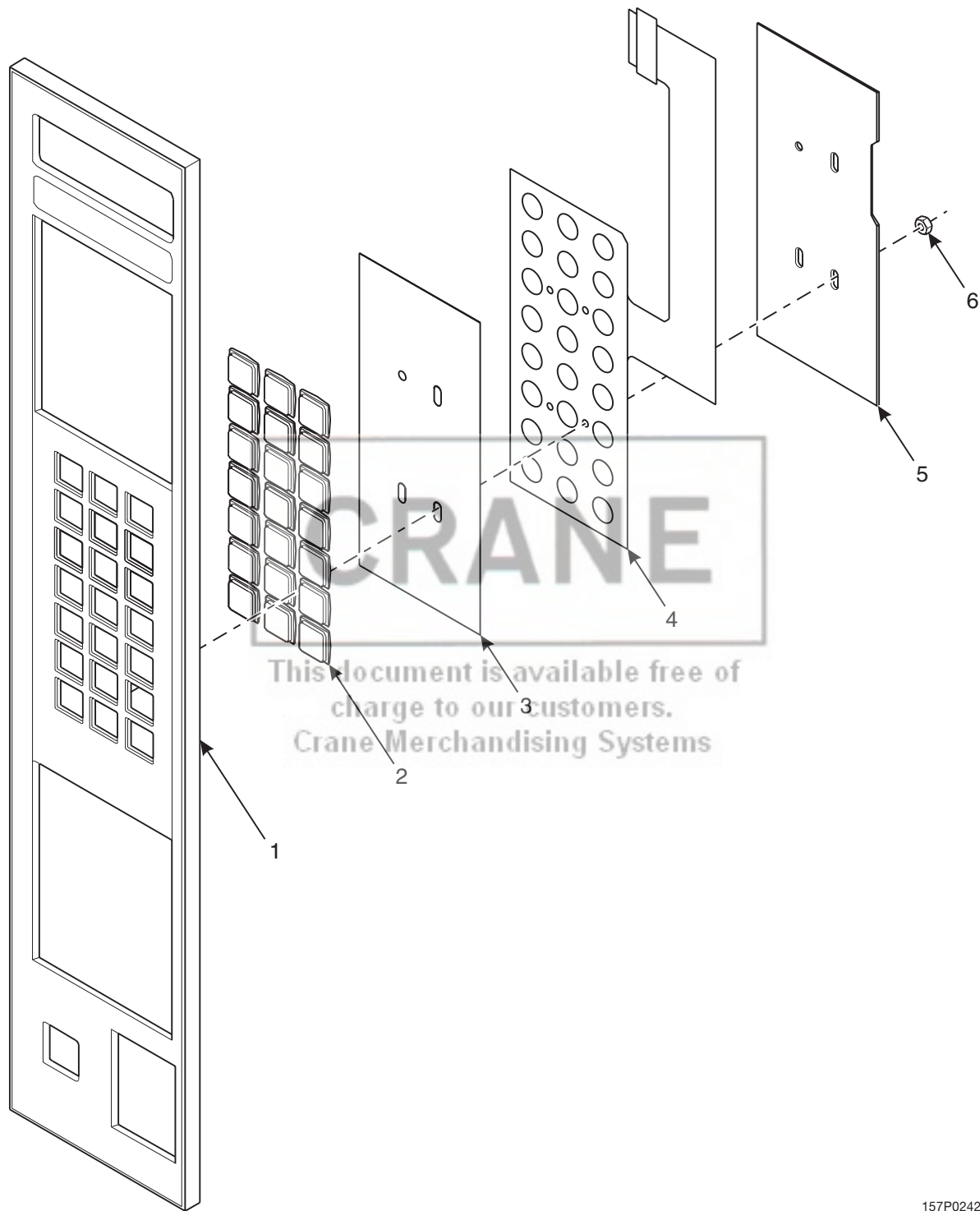
Figure 14. Monetary Panel Assembly (Part 2 of 4)



Snack / Refreshment Center 2 Parts Manual

TABLE 14. MONETARY PANEL ASSEMBLY (PART 2 OF 4)

INDEX	PART NUMBER	DESCRIPTION	QTY
1	1595029	COVER - DISPLAY	1
2	1475099	BRACKET - PCB DISPLAY	1
3	9989685	PCB ASSEMBLY - DISPLAY	1
4	1571154	LABEL - CAUTION - STATIC/ELECT CONNECTION - ENGLISH	1
	6231219	LABEL - STATIC CAUTION - FRENCH	
	6232518	LABEL - STATIC CAUTION - GERMAN	
5	3122056	MAGNET - COIN CHANGER RETAINER	2
6	1475026	BUTTON - COIN RETURN	1
7	1475072	SHAFT - RETURN BUTTON	1
8	1575048	PLATE - INSERT BACKING	OPT.
9	1571079	BRACKET - COIN RETURN BUTTON	1
10	1127808	SPRING - SHELF RESET	1
11	1575057	PLATE - MAGNET MOUNTING	1
12	1575003	COIN CHUTE ASSEMBLY	1
13	1570123	LABEL - COIN MECHANISM	1
14	1571078	BRACKET - COIN MECHANISM	1
15	6231037	CLAMP - CABLE	1
16	1571113	ARM - SCAVENGER	1
17	2228011	SPACER - RELEASE ARM	1
18	2204093	WASHER - SCAVENGER BAR	1
19	6335002	SERVICE KEYPAD ASSEMBLY	1
20	1575020	INSERT - INSTR - BILLS - ENGLISH (WITH BILL VALIDATOR OPTION) (U.S.)	1
	1575013	INSERT - INSTR - COINS ONLY - ENG (U.K.)	
	1575049	INSERT - INSTR - LOWER - UK - COINS (U.K.)	
	1572015	INSERT - INSTRUCTIONS - FRENCH	
	1575037	INSERT - INSTRUCTIONS - LOWER - FRENCH (W/NO BILL VALIDATOR OPTION)	
	1572014	INSERT - INSTRUCTIONS - GERMAN	
	1575038	INSERT - INSTRUCTIONS - LOWER - GERMAN - 0 - 10 (W/NO BILL VALIDATOR OPTION)	



157P0242

Figure 15. Monetary Panel Assembly (Part 3 of 4)



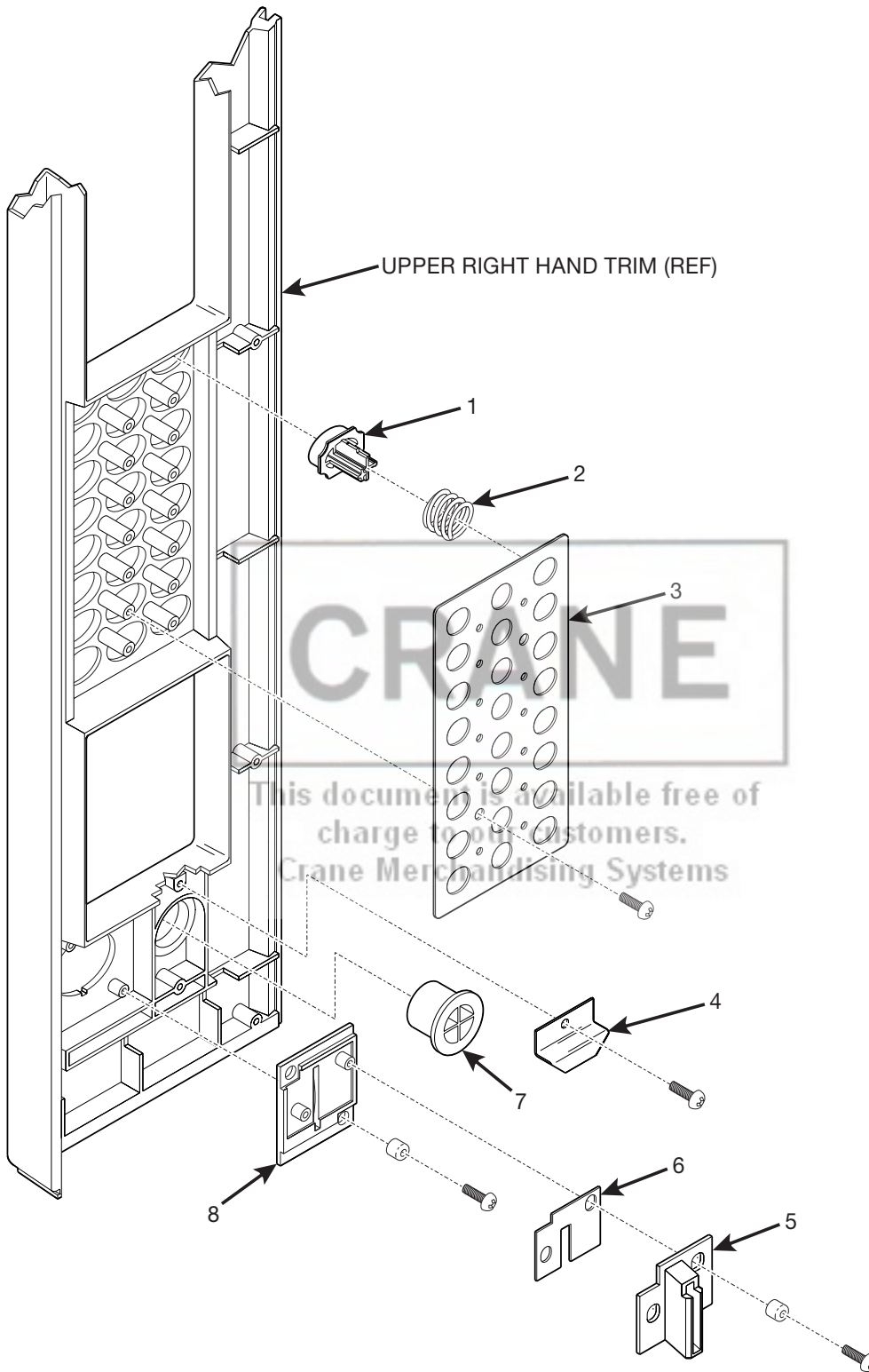
Snack / Refreshment Center 2 Parts Manual

TABLE 15. MONETARY PANEL ASSEMBLY (PART 3 OF 4)

INDEX	PART NUMBER	DESCRIPTION	QTY
1	1575074	FACEPLATE ASSEMBLY (WITH COIN OPTION)	1
	1575075	FACEPLATE ASSEMBLY (NO COIN OPTION)	
-	1575001	SELECTION PANEL (WITH COIN OPTION)	1
	1575043	SELECTION ASSEMBLY (NO COIN OPTION)	
2	1472251	LENS - PUSH BUTTON	21
3	1575010	LETTER SHEET - SELECT SWITCH	1
4	9984630	MEMBRANE SWITCH ASSEMBLY - SELECT	1
5	1575009	PLATE - SELECT SWITCH - BACK UP	1
6	1475089	NUT	4

CRANE

This document is available free of
charge to our customers.
Crane Merchandising Systems



157p0275

Figure 16. Monetary Panel Assembly (Part 4 of 4) - Millennia Styling



Snack / Refreshment Center 2 Parts Manual

TABLE 16. MONETARY PANEL ASSEMBLY (PART 4 OF 4) - MILLENNIA STYLING

INDEX	PART NUMBER	DESCRIPTION	QTY
1	1572212	ARRAY - PUSH BUTTON SELECTION	1
2	1572224	SPRING - PUSH BUTTON	21
3	1572223	PLATE - STOP BUTTONS	1
4	1572292	RETAINER - RETURN BUTTON	1
5	1572210	EXTENSION - COIN INSERT	1
6	1572323	COIN RETURN BUTTON - A2	1
7	1572209	COIN INSERT - A-1	1

CRANE

This document is available free of
charge to our customers.
Crane Merchandising Systems

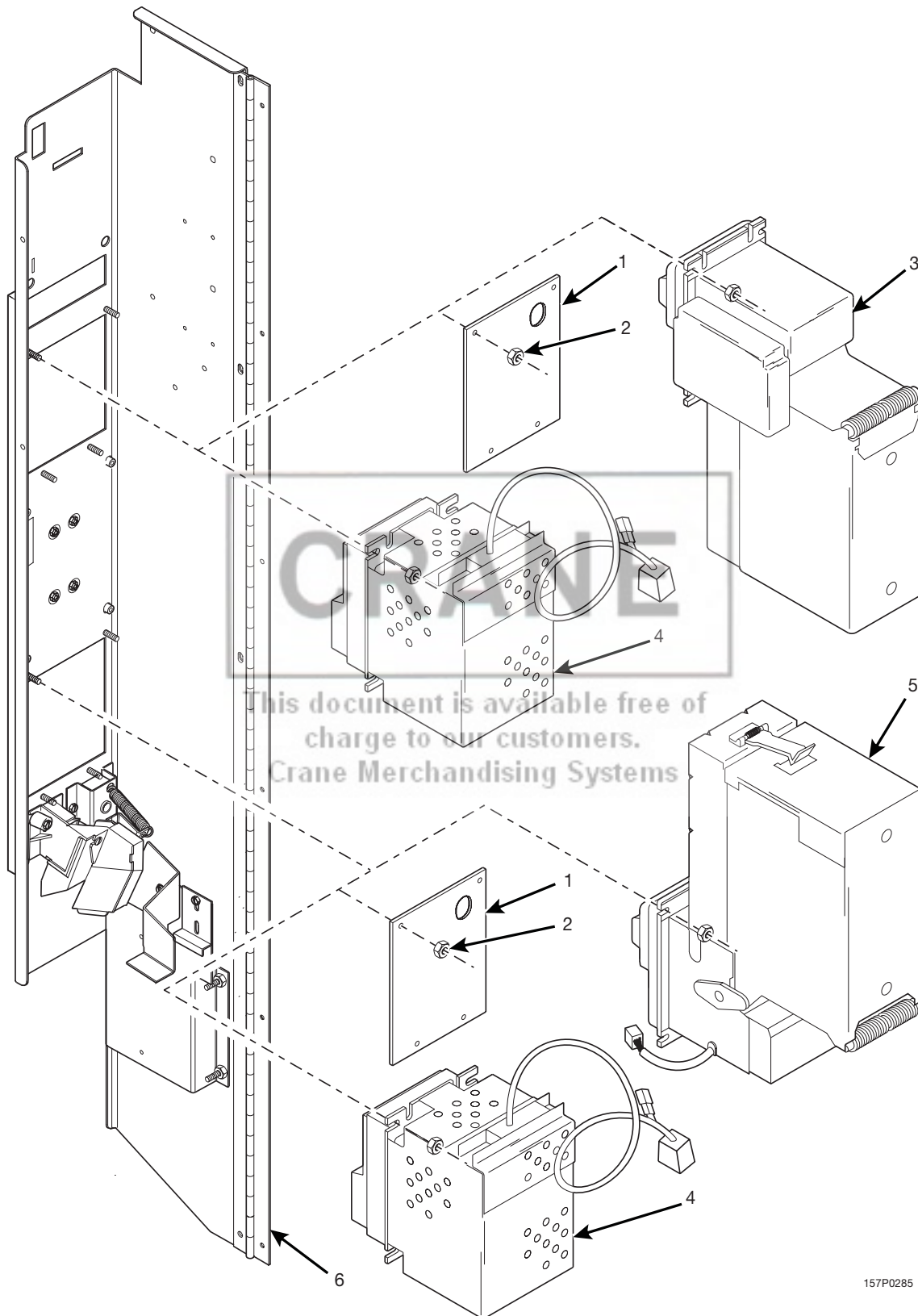


Figure 17. Card Reader and Bill Validator Combinations



Snack / Refreshment Center 2 Parts Manual

TABLE 17. CARD READER AND BILL VALIDATOR COMBINATIONS

INDEX	PART NUMBER	DESCRIPTION	QTY
	-	MONETARY PANEL WELD ASSEMBLY (REF)	1
1	1575048	PLATE - INSERT BACKING	1
2	9900081	NUT # 8-32 - ZINC PLATE	8
3	-	DOWNSTACK BILL VALIDATOR	OPT
4	-	DEBIT CARD READER	OPT
5	-	UPSTACK BILL VALIDATOR	OPT

TABLE 18. MONETARY LOCATION OPTIONS

MONETARY CAPABILITY	MONETARY PANEL LOCATION		WITH COIN?
	UPPER	LOWER	
COIN - VAL - CARD	CARD READER	UPSTACK VALIDATOR	YES
COIN - VAL - CARD	DOWNSTACK VALIDATOR	CARD READER	YES
COIN - VAL	INSERT INSTRUCTIONS BACK-UP PLATE (1575048)	UPSTACK VALIDATOR	YES
COIN - VAL	DOWNSTACK VALIDATOR	INSERT INSTRUCTIONS BACK-UP PLATE (1575048)	YES
COIN - CARD	INSERT INSTRUCTIONS BACK-UP PLATE (1575048)	CARD READER	YES
COIN - CARD	CARD READER	INSERT INSTRUCTIONS BACK-UP PLATE (1575048)	YES
VAL - CARD	DOWNSTACK VALIDATOR	CARD READER	NO
VAL - CARD	CARD READER	DOWNSTACK VALIDATOR	NO
COIN ONLY	INSERT INSTRUCTIONS BACK-UP PLATE (1575048)	INSERT INSTRUCTIONS BACK-UP PLATE (1575048)	YES
VAL ONLY	INSERT INSTRUCTIONS BACK-UP PLATE (1575048)	UPSTACK VALIDATOR	NO
VAL ONLY	DOWNSTACK VALIDATOR	INSERT INSTRUCTIONS BACK-UP PLATE (1575048)	NO
CARD ONLY	CARD READER	INSERT INSTRUCTIONS BACK-UP PLATE (1575048)	NO
CARD ONLY	INSERT INSTRUCTIONS BACK-UP PLATE (1575048)	CARD READER	NO

NOTES:

**ALL ITEMS ARE SECURED WITH FOUR NUTS (P/N 9900081).
SHADED ITEMS REPRESENT ALTERNATE CONFIGURATIONS**



TABLE 19. CARD READER OPTIONS

PART NUMBER	DESCRIPTION
1475107	DEBITEK # VIS-MM-NAT SYSTEM III
1575050	BRACKET - DEBITEK CONTROLLER (NO COIN OPTION)
1575052	BRACKET - DEBITEK CONTROLLER (WITH COIN OPTION)

TABLE 20. BILL VALIDATOR OPTIONS

PART NUMBER	DESCRIPTION	HARNESS PART NUMBER
5900198	VALIDATOR - MARS - S2000 - VN2311 - U5E	1579005
5900182	VALIDATOR - COINCO - BA305A	1579028
5900193	VALIDATOR - MARS - S2000 - VN2511 - U5E -CN5	1579028
5900233	VALIDATOR - CONLUX MKA 2152-12B 120V	1579028
5900205	VALIDATOR - MARS - VN2512-U5E - 24V	1579032 (HARNESS) 9989718 (JUMPER)
5900221	VALIDATOR - COINCO - BA32SA - 24V	
5900234	VALIDATOR - CONLUX - 2162 - 24V - 300	
1475053	VALIDATOR - MAKA - NB - 1KB - 400 WITH MASK "K" INSTALLED	1579006
3152444	VALIDATOR - MARS - VFM1 - S1 - U4C -CNSMT	1579005
3152391	VALIDATOR - MARS VFM3 - S1 - U4C -CNSMT	1579028
MDB VALIDATOR OPTIONS		
5900182	VALIDATOR - COINCO - BA 30SA	1579034
5900210	VALIDATOR - MARS - VN2512 - USM/500 -MDB	-
5900234	VALIDATOR - COINLUX - 2162 - 24V - 300	1579050



Snack / Refreshment Center 2 Parts Manual

TABLE 21. COIN MECHANISM OPTIONS

PART NUMBER	DESCRIPTION
5900116	MARS TRC6000 COIN UNIT
5307321	COINTRON 3000 - US COIN VAL
5900096	COINCO 9340L COIN UNIT
5900112	MARS MC5000 COIN UNIT
6400002	COIN CHANGER - MARS #TRC 6010XV
6000003	COIN CHANGER - COINCO # 9302LF-24
5900094	COINCO 9300L COIN UNIT
5900192	COIN UNIT - COINLUX USLX00401F
5900213	COIN UNIT - COINCO - 9302 - GX - MDB
5900209	COIN UNIT - CONLUX - USLZ - 001 - MDB
5900214	COIN UNIT - MARS - VN 4510 - MDB
5900216	COIN UNIT - MARS - VN 4000, 110V
5900217	COIN UNIT - MARS - VN 4010 XV - 24V
5900192	COIN UNIT - CONLUX - USLX 00401F
5900237	COIN UNIT - CONLUX - USLX - 001 120V
5900222	COIN UNIT - MARS TRC6000 - ASV

This document is available free of charge to our customers.
Crane Merchandising Systems

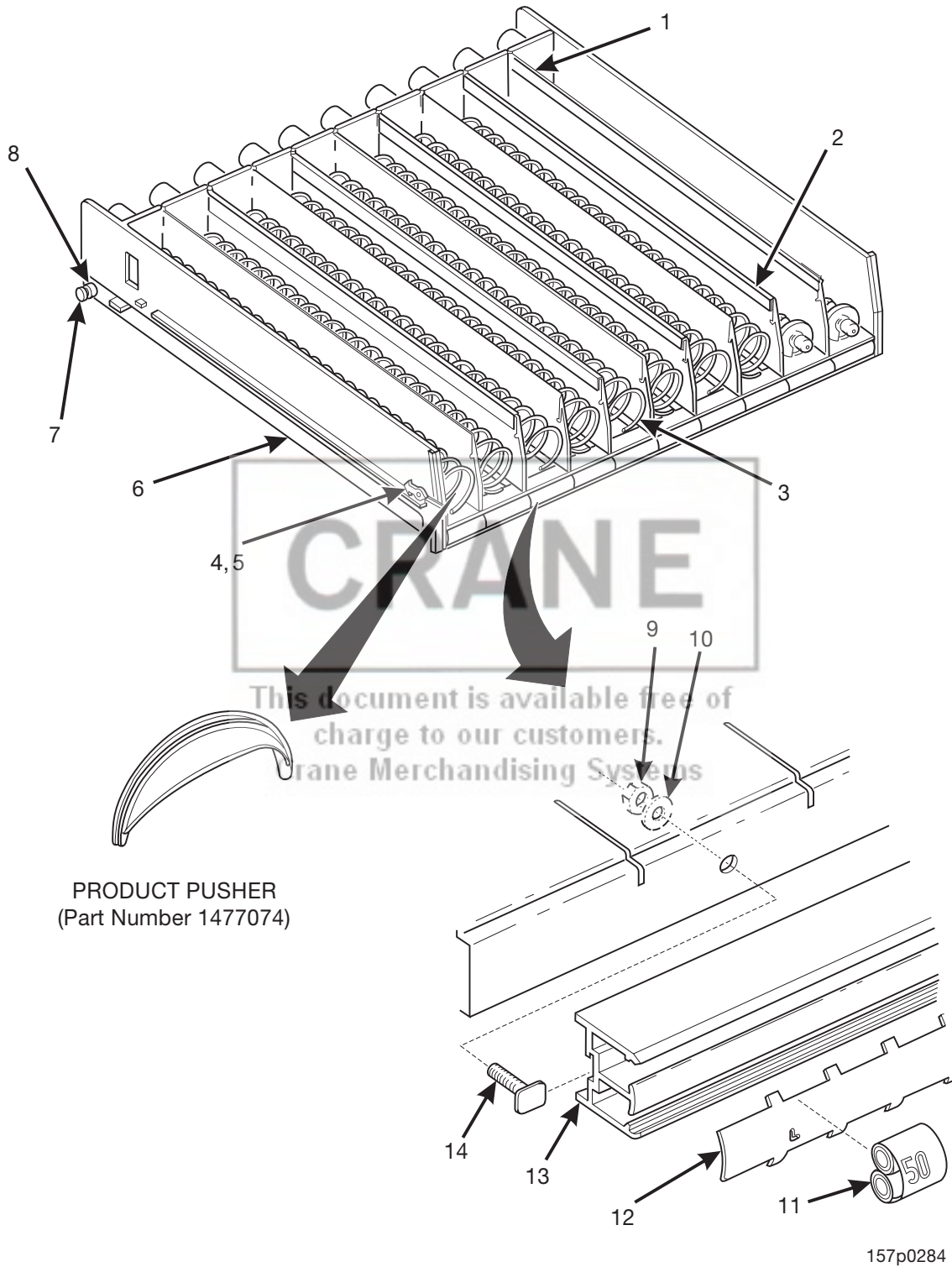


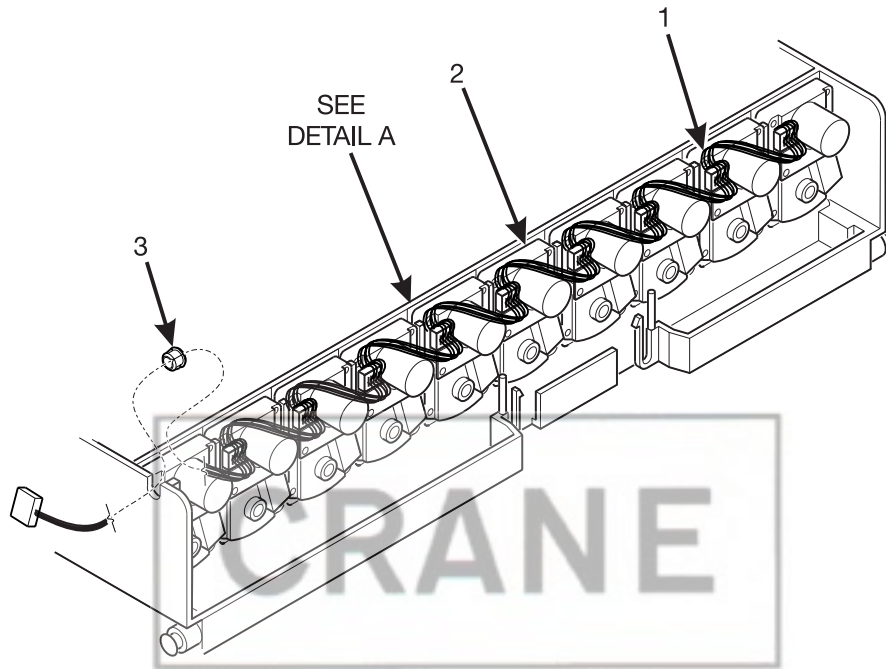
Figure 22. Candy Tray Assembly (Part 1 of 2)



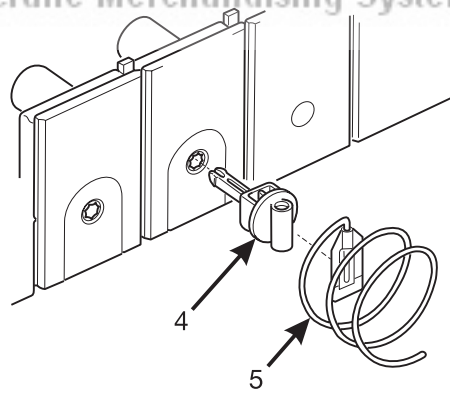
Snack / Refreshment Center 2 Parts Manual

TABLE 22. CANDY TRAY ASSEMBLY (PART 1 OF 2)

INDEX	PART NUMBER	DESCRIPTION	QTY
-	1597002	TRAY ASSEMBLY - 10 CANDY (SHOWN) (157, 464)	1
-	1607002	TRAY ASSEMBLY - 8 CANDY (NOW SHOWN) (158, 465, 484, 487)	1
1	1477175	WALL - TRAY (10 CANDY)	9
	1477175	WALL - TRAY (8 CANDY)	7
2	1477141	SPACER - ADJUSTABLE (10 CANDY)	4
	1477141	SPACER - ADJUSTABLE (8 CANDY)	3
3	-	SPIRAL (SEE FIGURE 31 FOR DETAILS)	-
4	1477017	LATCH	2
5	5201267	PUSH-ON RETAINER - .312	2
6	1577040	TRAY - 5 & 10 DIVISION	1
	1587003	TRAY - 4 & 8 DIVISION	
7	1477097	AXLE - TRAY ROLLER	2
8	1477148	ROLLER - TRAY	2
9	9900030	NUT #8-32 SELF-LOCKING (10 CANDY)	3
		NUT #8-32 SELF-LOCKING (8 CANDY)	2
10	5560113	WASHER - HOPPER RELEASE (10 CANDY)	3
		WASHER - HOPPER RELEASE (8 CANDY)	2
11	-	PRICE ROLLS (10 CANDY)	10
	-	PRICE ROLLS (8 CANDY)	8
12	1477157	HOLDER - PRICE & SELECTION (10 CANDY)	1
	1487016	HOLDER - PRICE & SELECTION (8 CANDY)	
13	1477134	RAIL - PRICE & SELECTION (10 CANDY)	1
	1487009	RAIL - PRICE & SELECTION (8 CANDY)	
14	2222031	TEE BOLT - TRIM (10 CANDY)	3
		TEE BOLT - TRIM (8 CANDY)	2



This document is available free of charge to our customers.
Crane Merchandising Systems



159PO025

DETAIL A

Figure 23. Candy Tray Assembly (Part 2 of 2)



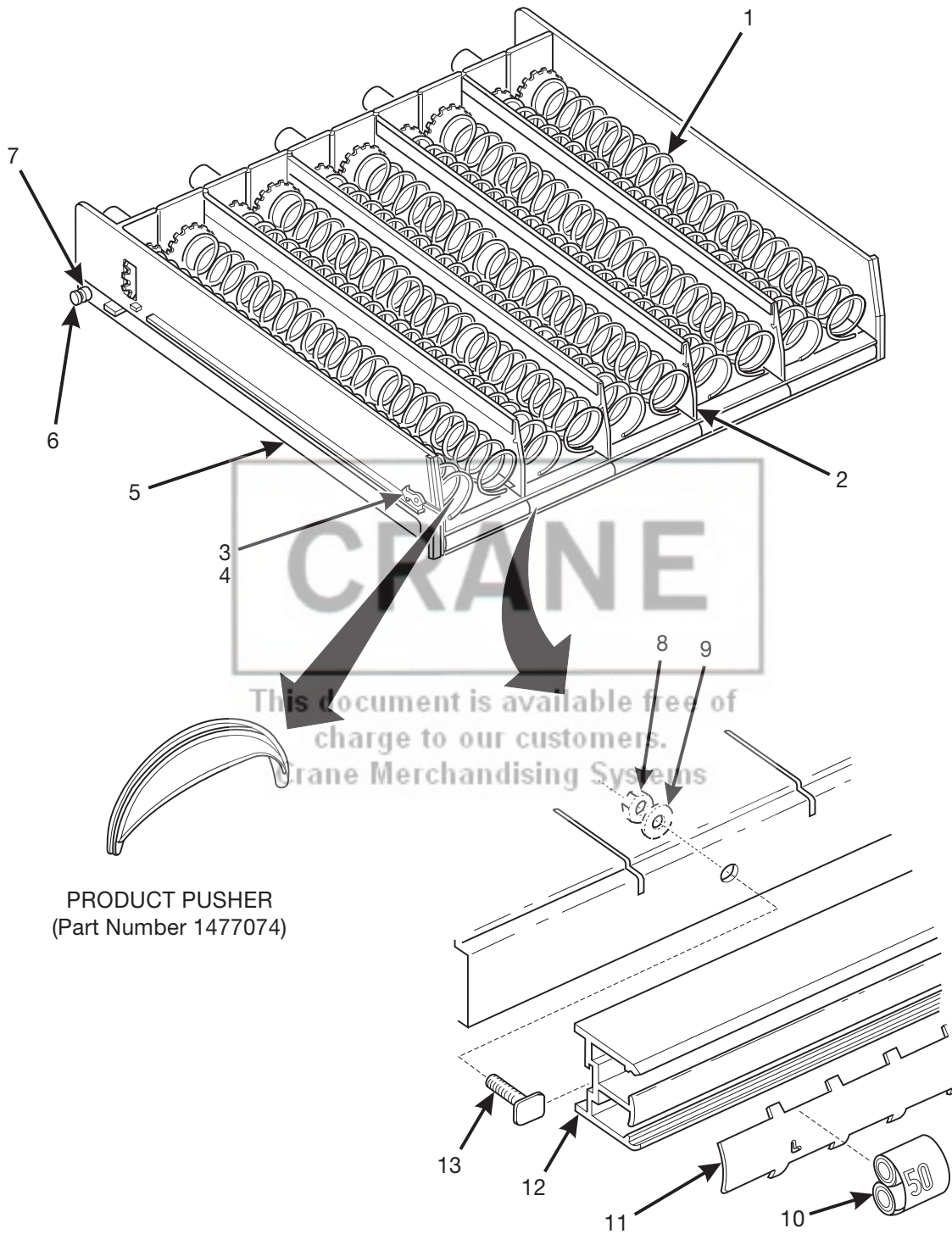
Snack / Refreshment Center 2 Parts Manual

TABLE 23. CANDY TRAY ASSEMBLY (PART 2 OF 2)

INDEX	PART NUMBER	DESCRIPTION	QTY
1	1599019	HARNESS - 10 MOTOR TRAY (157, 464)	1
	1599018	HARNESS - 8 MOTOR TRAY (158, 465, 484, 487)	
2	1577035	MOTOR & PCB ASSEMBLY (10 MOTOR TRAY)	10
		MOTOR & PCB ASSEMBLY (8 MOTOR TRAY)	8
3	3502097	BUSHING	1
4	1477113	COUPLING - SPIRAL (10 MOTOR TRAY)	10
		COUPLING - SPIRAL (8 MOTOR TRAY)	8
5	-	SPIRALS (SEE FIGURE 31 FOR DETAILS)	-

CRANE

This document is available free of
charge to our customers.
Crane Merchandising Systems



159P0034

Figure 24. Snack Tray Assembly (Part 1 of 2)



Snack / Refreshment Center 2 Parts Manual

TABLE 24. SNACK TRAY ASSEMBLY (PART 1 OF 2)

INDEX	PART NUMBER	DESCRIPTION	QTY
-	1607001	TRAY ASSEMBLY - 5 SNACK (157, 464)	1
-		TRAY ASSEMBLY - 4 SNACK (158, 465, 484, 487)	1
1	-	SPIRAL (SEE FIGURE 31 FOR DETAILS)	-
2	1477175	WALL - TRAY (5 SNACK)	4
		WALL - TRAY (4 SNACK)	3
3	1477017	LATCH	2
4	5201267	PUSH ON RETAINER - .312	2
5	1577040	TRAY - 5 & 10 DIVISION (5 SNACK)	1
	1587003	TRAY - 4 & 8 DIVISION (4 SNACK)	
6	1477097	AXLE - TRAY ROLLER	2
7	1477148	ROLLER - TRAY	2
8	9900030	NUT #8-32 SELF - LOCKING (5 SNACK)	3
		NUT #8-32 SELF - LOCKING (4 SNACK)	2
9	5560113	WASHER - HOPPER RELEASE (5 SNACK)	3
		WASHER - HOPPER RELEASE (4 SNACK)	2
10	-	PRICE ROLLS (5 SNACK) (SEE TABLE XX)	5
	-	PRICE ROLLS (4 SNACK) (SEE TABLE XX)	4
11	1477157	HOLDER - PRICE & SELECTION (5 SNACK)	1
	1487016	HOLDER - PRICE & SELECTION (4 SNACK)	
12	1477134	RAIL - PRICE & SELECTION (5 SNACK)	1
	1487009	RAIL - PRICE & SELECTION (4 SNACK)	
13	2222031	TEE BOLT - TRIM (5 SNACK)	3
		TEE BOLT - TRIM (4 SNACK)	2

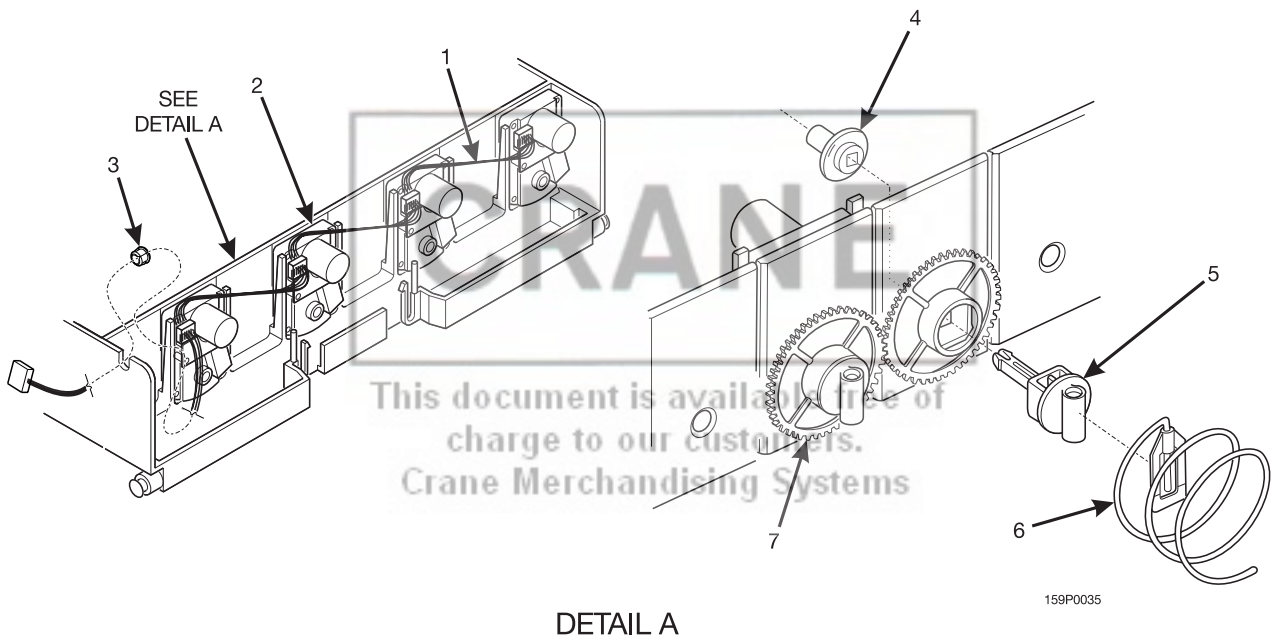


Figure 25. Snack Tray Assembly (Part 2 of 2)



Snack / Refreshment Center 2 Parts Manual

TABLE 25. SNACK TRAY ASSEMBLY (PART 2 OF 2)

INDEX	PART NUMBER	DESCRIPTION	QTY
1	1599017	HARNESS - 5 MOTOR TRAY (157, 464)	1
	1599016	HARNESS - 4 MOTOR TRAY (158, 465, 484, 487)	
2	1577035	MOTOR & PCB ASSEMBLY (5 MOTOR TRAY)	5
		MOTOR & PCB ASSEMBLY (4 MOTOR TRAY)	4
3	3502097	BUSHING	1
4	1477022	BEARING - COUPLER (5 MOTOR TRAY)	5
		BEARING - COUPLER (4 MOTOR TRAY)	4
5	1477113	COUPLING - SPIRAL (5 MOTOR TRAY)	10
		COUPLING - SPIRAL (4 MOTOR TRAY)	8
6	-	SPIRALS (SEE TABLE XX FOR DETAILS)	-
7	1477020	GEAR - TRAY (5 MOTOR TRAY)	10
		GEAR - TRAY (4 MOTOR TRAY)	8

CRANE

This document is available free of
charge to our customers.
Crane Merchandising Systems

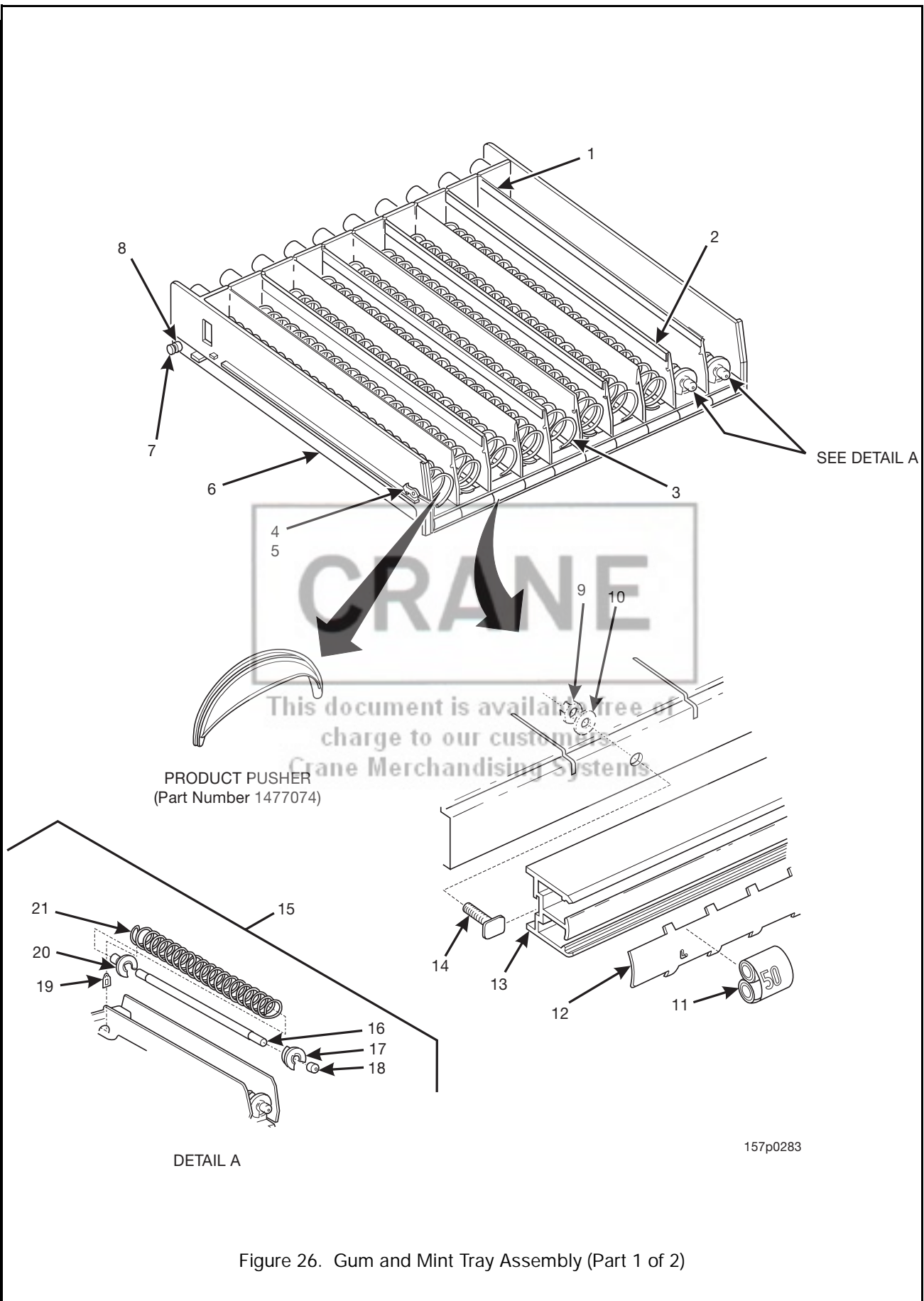


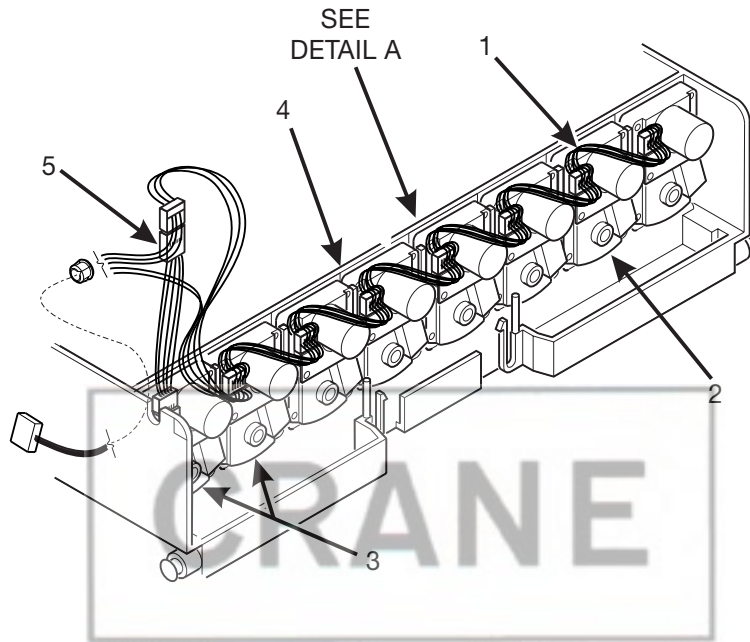
Figure 26. Gum and Mint Tray Assembly (Part 1 of 2)



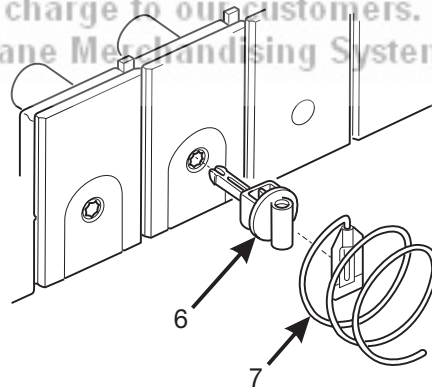
Snack / Refreshment Center 2 Parts Manual

TABLE 26. GUM AND MINT TRAY ASSEMBLY (PART 1 OF 2)

INDEX	PART NUMBER	DESCRIPTION	QTY
-	1597003	TRAY ASSEMBLY - 8 CANDY - 2 GUM (157, 464) (SHOWN)	1
-	1607003	TRAY ASSEMBLY - 6 CANDY - 2 GUM (158, 465, 484, 487) (NOT SHOWN)	1
1	1477175	WALL - TRAY (8 CANDY - 2 GUM)	9
		WALL - TRAY (6 CANDY - 2 GUM)	7
2	1477141	SPACER - ADJUSTABLE (8 CANDY - 2 GUM)	4
		SPACER - ADJUSTABLE (6 CANDY - 2 GUM)	3
3	-	SPIRAL (SEE FIGURE 31 FOR DETAILS)	-
4	1477017	LATCH	2
5	5201267	PUSH ON RETAINER - .312	2
6	1577040	TRAY - 5 & 10 DIVISION (8 CANDY - 2 GUM)	1
	1587003	TRAY - 4 & 8 DIVISION (6 CANDY - 2 GUM)	2
7	1477097	AXLE - TRAY ROLLER	2
8	1477148	ROLLER - TRAY	2
9	9900030	NUT #8-32 SELF-LOCKING (8 CANDY - 2 GUM)	3
		NUT #8-32 SELF-LOCKING (6 CANDY - 2 GUM)	2
10	5560113	WASHER - HOPPER RELEASE (8 CANDY - 2 GUM)	3
		WASHER - HOPPER RELEASE (6 CANDY - 2 GUM)	2
11	-	PRICE ROLLS (8 CANDY - 2 GUM)	10
		PRICE ROLLS (6 CANDY - 2 GUM)	8
12	1477157	HOLDER - PRICE & SELECTION (8 CANDY - 2 GUM)	1
	1487016	HOLDER - PRICE & SELECTION (6 CANDY - 2 GUM)	
13	1477134	RAIL - PRICE & SELECTION (8 CANDY - 2 GUM)	1
	1487009	RAIL - PRICE & SELECTION (6 CANDY - 2 GUM)	
14	2222031	TEE BOLT - TRIM (8 CANDY - 2 GUM)	3
		TEE BOLT - TRIM (6 CANDY - 2 GUM)	2
15	1467127	SPIRAL ASSEMBLY - DUAL GUM & MINT (INCLUDES INDEX NUMBERS 16 - 21)	2
16	1467131	SPIRAL INSERT ASSEMBLY	1
17	1467129	DISC - SPIRAL INSERT	1
18	1467136	CAP - SPIRAL INSERT	2
19	1467130	DISC - SPIRAL INSERT	1
20	1467137	RETAINER - SPIRAL - ORANGE	1
21	1467128	SPIRAL - 2.65 DIAMETER - DUAL GUM & MINT	1



This document is available free of charge to our customers.
Crane Merchandising Systems



DETAIL A

159P0038

Figure 27. Gum and Mint Tray Assembly (Part 2 of 2)



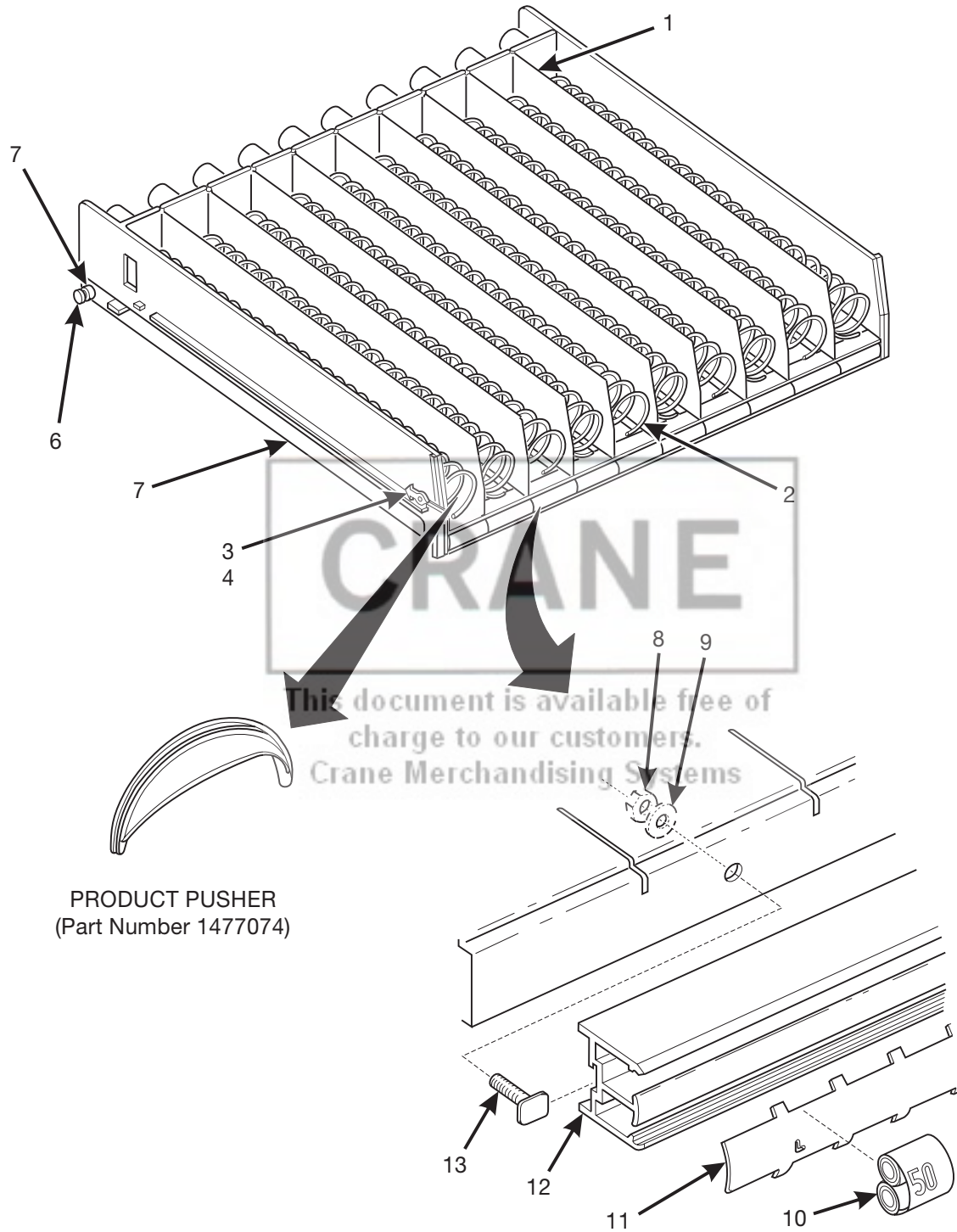
Snack / Refreshment Center 2 Parts Manual

TABLE 27. GUM AND MINT TRAY ASSEMBLY (PART 2 OF 2)

INDEX	PART NUMBER	DESCRIPTION	QTY
1	1599019	HARNESS - 10 MOTOR TRAY (157, 257, 464)	1
	1599018	HARNESS - 8 MOTOR TRAY (158, 258, 465, 484, 487)	
2	1577035	MOTOR & PCB ASSEMBLY (10 MOTOR TRAY)	8
		MOTOR & PCB ASSEMBLY (8 MOTOR TRAY)	6
3	1477114	MOTOR & PCB ASSEMBLY (ALL MODELS)	2
4	3502097	BUSHING	1
5	1477156	JUMPER ASSEMBLY - MOTOR REVERSING	1
6	1477113	COUPLING - SPIRAL (10 MOTOR TRAY)	10
		COUPLING - SPIRAL (8 MOTOR TRAY)	8
7	-	SPIRAL (SEE FIGURE 31 FOR DETAILS)	-

CRANE

This document is available free of
charge to our customers.
Crane Merchandising Systems



159p0033

Figure 28. Cigarette Tray Assembly (Part 1 of 2)



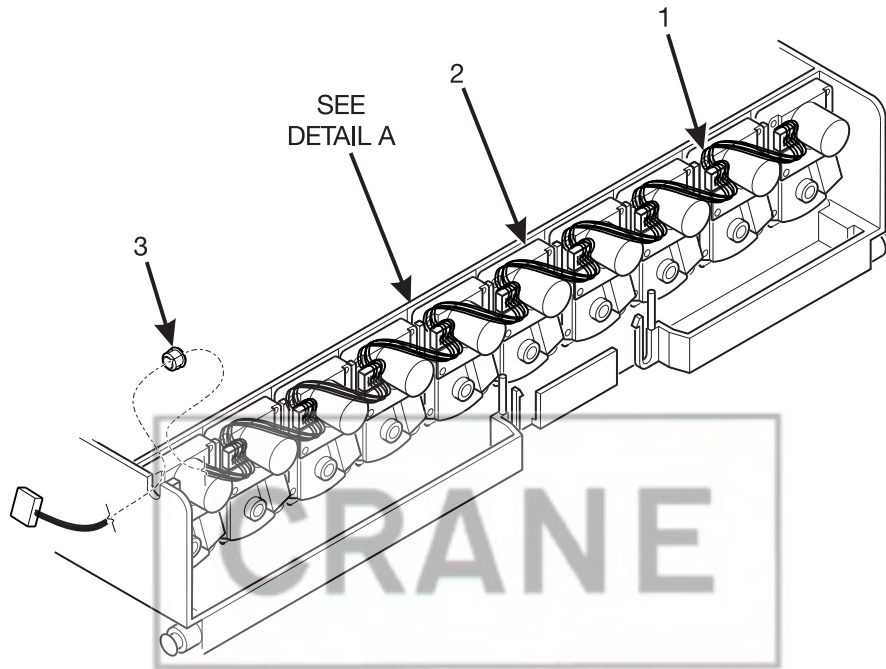
Snack / Refreshment Center 2 Parts Manual

TABLE 28. CIGARETTE TRAY ASSEMBLY (PART 1 OF 2)

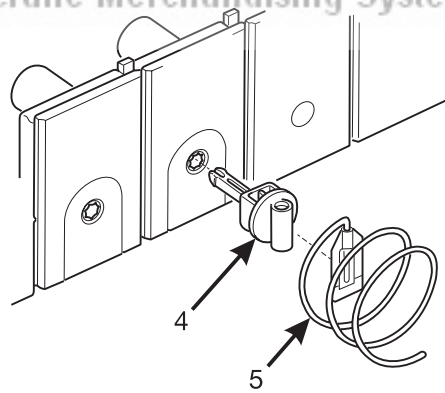
INDEX	PART NUMBER	DESCRIPTION	QTY
-	1587036	TRAY ASSEMBLY - 10 CIGARETTE	1
	1587006	TRAY ASSEMBLY - 8 CIGARETTE	
1	1477175	WALL - TRAY (257)	9
	1477175	WALL - TRAY (258)	7
2	-	SPIRAL (SEE FIGURE 31 FOR DETAILS)	-
3	1477017	LATCH	2
4	5201267	PUSH ON RETAINER - .312	2
5	1577040	TRAY - 5/10 DIVISION	1
	1587003	TRAY - 4/8 DIVISION	
6	1477097	AXLE - TRAY ROLLER	2
7	1477148	ROLLER - TRAY	2
8	9900030	NUT - #8-32 SELF-LOCKING	2
9	5560113	WASHER - HOPPER RELEASE (257)	3
	5560113	WASHER - HOPPER RELEASE (258)	2
10	-	PRICE ROLLS (10 CIGARETTE)	-
		PRICE ROLLS (8 CIGARETTE)	
11	1477157	HOLDER - PRICE & SELECTION	1
	1487016	HOLDER - PRICE & SELECTION	
12	1477134	RAIL - PRICE & SELECTION	1
	1487009	RAIL - PRICE & SELECTION	
13	2222031	TEE BOLT - TRIM	3

This document is available free of charge to our customers.

Crane Merchandising Systems



This document is available free of charge to our customers.
Crane Merchandising Systems



159PO025

DETAIL A

Figure 29. Cigarette Tray Assembly (Part 2 of 2)



Snack / Refreshment Center 2 Parts Manual

TABLE 29. CIGARETTE TRAY ASSEMBLY (PART 2 OF 2)

INDEX	PART NUMBER	DESCRIPTION	QTY
1	1599018	HARNESS - 8 MOTOR (258)	1
1	1599019	HARNESS - 10 MOTOR (257)	1
2	1577035	MOTOR & PC BOARD ASSEMBLY (258)	8
2	1577035	MOTOR & PC BOARD ASSEMBLY (257)	10
3	3502907	BUSHING	1
4	1477113	COUPLING - SPIRAL (258)	8
4	1477113	COUPLING - SPIRAL (257)	10
5	-	SPIRAL (SEE FIGURE 31 FOR DETAILS)	-

TABLE 30. PRICE ROLLS (FOR TRAYS)

PART NUMBER	DESCRIPTION
1477014	ROLL - PRICE - CENTS
1477015	ROLL - PRICE - DOLLARS
1472273	PRICE ROLL - U.K. - 1L/10L, 40P/95P
1472274	PRICE ROLL - U.K. - 1L/10L, 8P/35P
1477123	PRICE ROLL - 0 TO 25 - U.K./GER/FR

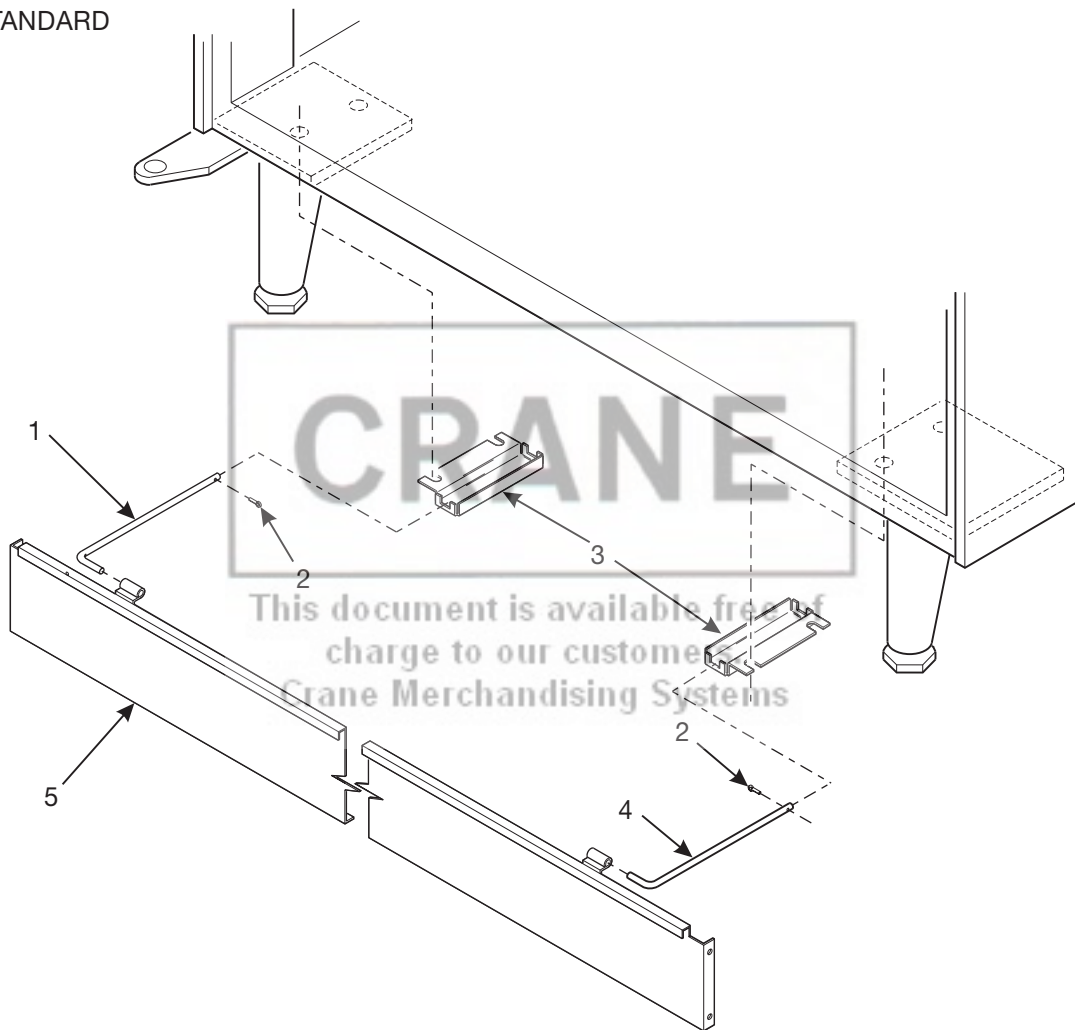
This document is available free of charge to our customers.

TABLE 31. SPIRAL OPTIONS

SPIRAL COUNT	RETAINER COLOR	LEFT HAND		RIGHT HAND		RETAINER
		ASSEMBLY	SPIRAL	ASSEMBLY	SPIRAL	
6	PURPLE	1477103	1477102	1477105	1477104	1477107
9	GRAY	1477152	1477153	1477149	1477150	1477155
11	BLUE	1477023	1477024	1477026	1477027	1457061
13	YELLOW	1477029	1477030	1477032	1477033	1457062
15	RED	1477035	1477036	1477038	1477039	1457063
17	BROWN	1477101	1477100	1477099	1477098	1477106
20	WHITE	1477041	1477042	1477044	1477045	1457064
25	GREEN	1477047	1477048	1477050	1477051	1457065
30	BLACK	1477053	1477054	1477056	1477057	1477073



STANDARD



639p0064

Figure 32. Base Plate Assembly (Standard Shown)



Snack / Refreshment Center 2 Parts Manual

TABLE 32. BASE PLATE ASSEMBLY (STANDARD SHOWN)

INDEX	PART NUMBER	DESCRIPTION	QTY
1	1411195	SLIDE - BASE PLATE - LEFT HAND	1
2	9900098	COTTER PIN, 3/32	2
3	6231087	BRACKET - BASE PLATE	2
4	1411194	SLIDE - BASE PLATE - RIGHT HAND	1
5	1581023	BASE PLATE ASSEMBLY - 32" (IMPERIAL CROWN & SIGNATURE STYLING) (158, 258, 465, 484, 487)	1
	2271408	BASE PLATE ASSEMBLY - 38" (IMPERIAL CROWN & SIGNATURE STYLING) (157, 257, 464)	
	1581051	BASE PLATE ASSEMBLY - 32" (MILLENNIA STYLING) (158, 258, 465, 484, 487)	
	1571161	BASE PLATE ASSEMBLY - 38" (MILLENNIA STYLING) (157, 257, 464)	

CRANE

This document is available free of charge to our customers.
Crane Merchandising Systems

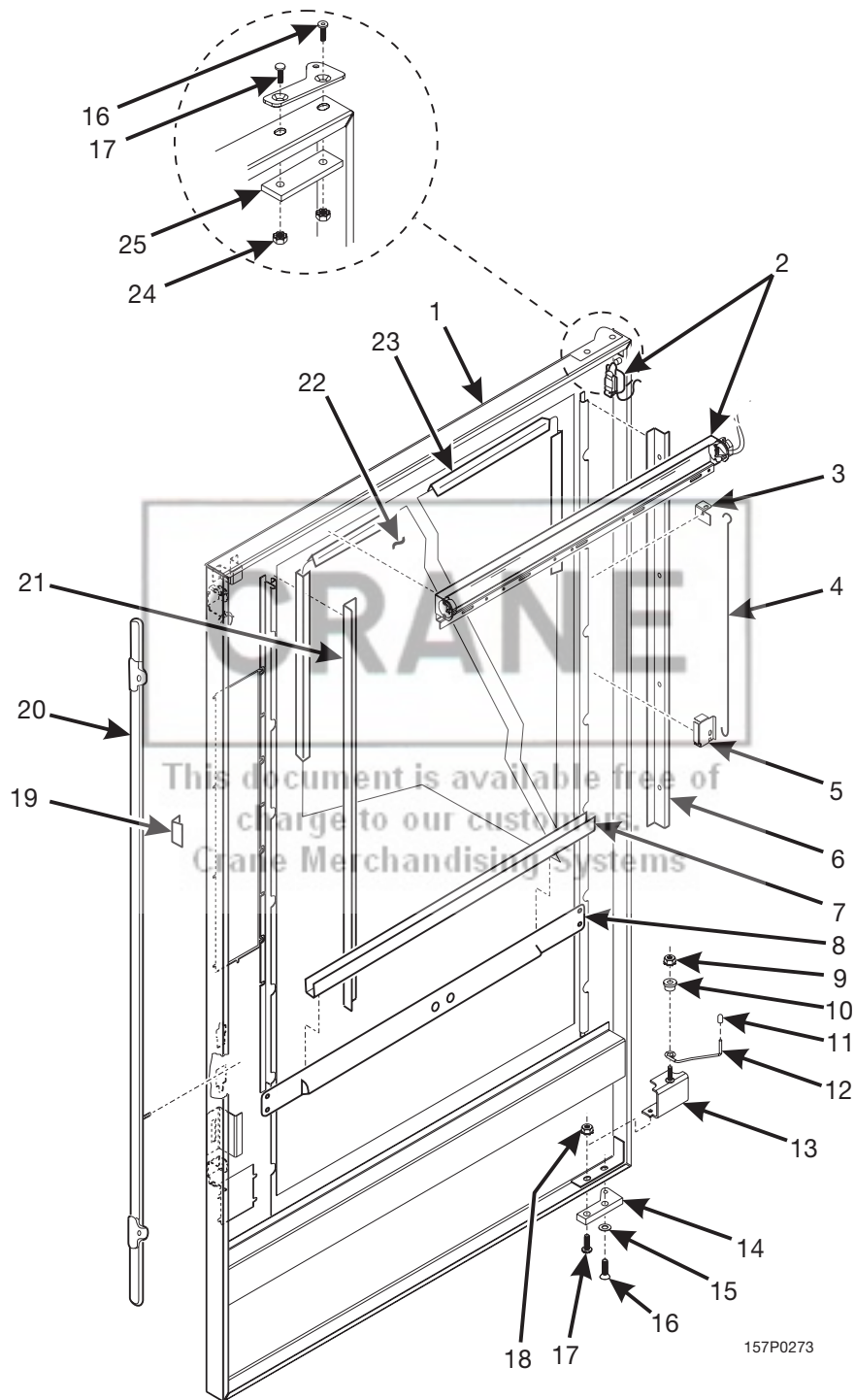


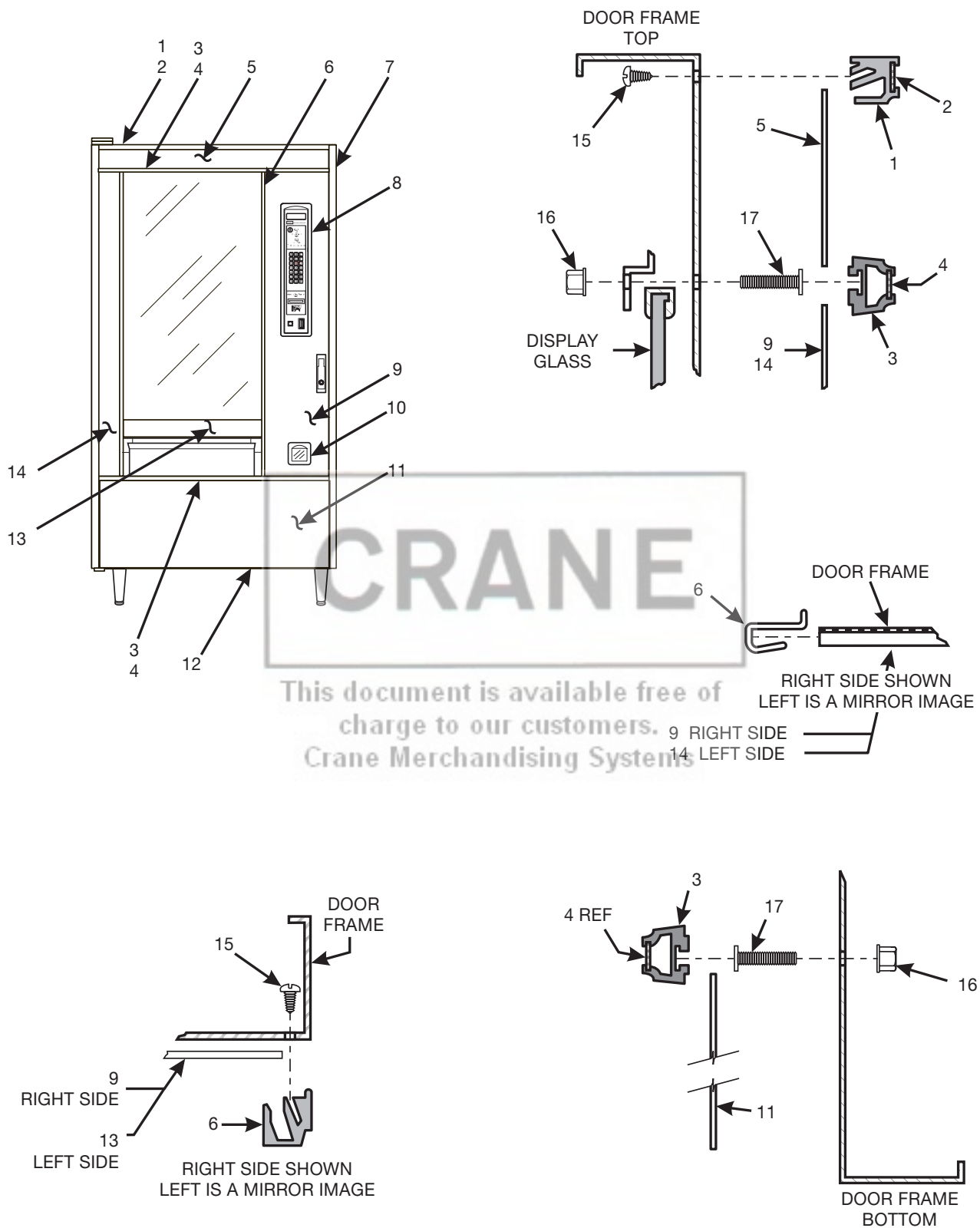
Figure 33. Door Assembly (Imperial Crown and Signature Styling)



Snack / Refreshment Center 2 Parts Manual

TABLE 33. DOOR ASSEMBLY (IMPERIAL CROWN AND SIGNATURE STYLING)

INDEX	PART NUMBER	DESCRIPTION	QTY
1	1572225	WELD ASSEMBLY - DOOR - NV BLACK (157, 257, 464)	1
	1582069	WELD ASSEMBLY - DOOR - NV BLACK (158, 258, 465, 484, 487)	
2	-	UPPER DOOR LIGHT ASSEMBLY 7 BALLAST (SEE FIGURE 41 FOR DETAILS)	1
3	1572028	RETAINER-ROD SUPPORT-COMMON	1
4	1479140	ROD - SUPPORT - GUM & MINT	1
5	1572027	SUPPORT - PROP ROD - COMMON	1
6	1572020	RETAINER - GLASS (157,158, 257, 258, 464, 465, 484, 487)	1
	4972107	RETAINER - GLASS W/ SIDE LIGHT (484, 487) (SEE FIGURE 36 FOR DETAILS)	
7	1472220	CHANNEL - GLASS - LOWER (157, 257, 464)	1
	1582073	CHANNEL - GLASS - LOWER (158, 258, 465, 484, 487)	
8	1472220	PANEL ASSEMBLY - GLASS - LOWER (157, 257, 464)	1
	4972043	PANEL ASSEMBLY - GLASS - LOWER (158, 258, 465, 484, 487)	
9	1211105	1/4 KEPS NUT EXT LW ZP	1
10	1142017	BUSHING - DOOR CHECK	1
11	1571037	CAP - VINYL - .281 ID X .50 LONG	1
12	1572009	ROD - DOOR CHECK	1
13	1572007	WELD ASSEMBLY - DOOR CHECK	1
14	6232031	HINGE ASSEMBLY - DOOR - LOWER	1
15	4242145	BEARING - THRUST - LOWER HINGE	1
16	6232036	SCREW 5.16-18 X .75 FLAT HEAD SOCKET	1
17	6232208	WELD SCREW #1/4-20 X 1" LG	1
18	1211105	1/4-20 KEPS NUT EXT LW ZP	1
19	1472250	GUIDE - LOCK BAR	1
20	1472178	LOCK BAR ASSEMBLY	1
21	1472048	PLATE - GLASS RETAINING	1
-	1451097	SCREW (ATTACHING PART FOR INDEX # 21)	7
22	1452059	GLASS - DISPLAY (157, 257, 464)	1
	1462014	GLASS - DISPLAY (158, 258, 465, 484, 487)	
23	6232092	EXTRUSION - GLASS CHANNEL - 112.28 IN. LONG (157, 257, 464)	1
	6232092	EXTRUSION - GLASS CHANNEL - 106.16 IN. LONG (158, 258, 465, 484, 487)	
24	1211105	1/4 KEPS NUT EXT LW ZP	1
25	6232028	PLATE ASSEMBLY - HINGE MOUNTING	1



This document is available free of charge to our customers. Crane Merchandising Systems

Figure 34. Common Trim and Panel Components

157P0279



Snack / Refreshment Center 2 Parts Manual

TABLE 34. COMMON TRIM AND PANEL COMPONENTS

INDEX	PART NUMBER	DESCRIPTION	QTY
1	1302484	TRIM - DOOR - TOP - CLEAR (IMPERIAL CROWN) (157, 257, 464)	1
	1452229	TRIM - DOOR - TOP - BLACK (SIGNATURE) (157, 257, 464)	
	1482110	TRIM - DOOR - TOP - CLEAR (IMPERIAL CROWN) (158, 258, 465, 484, 487)	
	1482127	TRIM - DOOR TOP - BLACK (SIGNATURE) 158, 258, 464, 484, 487)	
2	1302479	TRIM INSERT - BLACK (157, 257, 464)	1
	1482111	TRIM INSERT - BLACK (158, 258, 464, 484, 487)	1
3	1302478	TRIM - DOOR - HORIZONTAL - CLEAR (157, 257, 464)	1
	1482112	TRIM - DOOR - HORIZONTAL - CLEAR (158, 258, 464, 484, 487)	1
4	1302479	TRIM INSERT - BLACK (157, 257, 464)	1
	1482111	TRIM INSERT - BLACK (158, 258, 464, 484, 487)	
5	-	PANEL - TOP TRIM (MODELS 157, 257, 464) (SEE FIGURE 34 A FOR DETAILS)	1
	-	PANEL - TOP TRIM (MODELS 158, 258, 464, 465 & 487) (SEE FIGURE 34 B FOR DETAILS)	
6	1472190	TRIM - VERTICAL	2
7	1302409	TRIM - DOOR SIDE - CLEAR (IMPERIAL)	2
	1452203	TRIM - DOOR SIDE - BLACK (SIGNATURE)	
8	1575047	CASTING - MONETARY FRAME - BLACK	1
9	-	TRIM PANEL - RIGHT HAND (SEE FIGURE 34 C FOR DETAILS)	1
10	1572011	TRIM - COIN CUP - BLACK	1
11	-	TRIM PANEL - BOTTOM (MODELS 157, 257, 464) (SEE FIGURE 34 D FOR DETAILS)	1
	-	TRIM PANEL - BOTTOM (MODELS 158, 258, 464, 465 & 487) (SEE FIGURE 34 E FOR DETAILS)	
12	6232099	EDGE PROTECTOR - BOTTOM (157, 257, 464)	1
	1482003	EDGE PROTECTOR - BOTTOM (158, 258, 464, 484, 487)	
-	1451097	SCREW	5
-	6342038	PLUG (158, 258, 464, 484, 487)	1
13	1462081	TRIM - PANEL - GLASS LOWER (158, 258, 465, 484, 487)	1
	1452177	TRIM - PANEL - GLASS LOWER (157, 257, 464)	
14	-	TRIM PANEL - LEFT HAND (MODELS 157, 257, 464) (SEE FIGURE 34 F FOR DETAILS)	1
	-	TRIM PANEL - LEFT HAND (MODELS 158, 258, 464, 465 & 487) (SEE FIGURE 34 G FOR DETAILS)	
15	1302282	SCREW #6X3/8 RHS T/C	23
16	9900081	NUT #8-32 W/LW	14
17	2222110	T-BOLT TRIM - 3/8"	8



**TABLE 34 A. TOP TRIM PANEL OPTIONS (INDEX # 5) - MODELS 157, 257, 464
(IMPERIAL CROWN AND SIGNATURE STYLES)**

PART NUMBER	DESCRIPTION
1452062	PRES WALNUT
1452116	ENAMELED
1452117	FORMICA SPCL
1452118	TEAK
1452183	VINYL SPCL
1452225	BLACK HAIRCEL
1572128	NU WHITE
3152447	STERLING
3152573	WHITE HAIRCEL
4302284	DOVE GREY
4302290	PEWTER
4302373	BISON BLACK
6232224	SLATE
6232309	BLACK PICA

**TABLE 34 B. TOP TRIM PANEL OPTIONS (INDEX # 5) - MODELS 158, 258, 464, 465 & 487
(IMPERIAL CROWN AND SIGNATURE STYLES)**

PART NUMBER	DESCRIPTION
1482106	PRES. WALNUT
1482114	DOVE
1482116	SLATE
1482123	BLK. HAIRCEL
1482144	ROSEWOOD
1482147	TEAK
1482178	FORMICA SPCL
1482229	STERLING
1482231	ENAMELED
1482240	WHITE HAIRCEL
1482245	BLACK PICA
1482248	BISON BLACK
1582006	NUWHITE
1582015	COMP. OAK
4742004	VINYL SPCL



Snack / Refreshment Center 2 Parts Manual

TABLE 34 C. RIGHT HAND TRIM PANEL OPTIONS (INDEX # 9)
(IMPERIAL CROWN AND SIGNATURE STYLES)

PART NUMBER	DESCRIPTION
1572054	DOVE GREY - NO COIN
1572101	STERLING
1572193	PORT AU PRINCE - NO COIN
1572106	BLACK PICA
1572109	BLACK HAIRCEL
1572115	COMP. OAK
1572118	DOVE GREY
1572120	BLACK PICA - NO COIN
1572121	STERLING - NO COIN
1572123	ENAMELED
1572126	FORMICA SPECIAL
1572130	NU WHITE
1572139	MOROCCO GREY
1572141	PEWTER
1572144	PLATINUM GREY
1572149	PRES. WALNUT
1572152	SLATE
1572155	STAINLESS STEEL
1572157	TEAK
1572160	VINYL SPECIAL
1572163	WHITE HAIRCEL
1572168	PRES. WALNUT - NO COIN
1572171	BISON BLACK
1572195	PORT AU PRINCE



**TABLE 34 D. BOTTOM TRIM PANEL OPTIONS (INDEX # 11) - MODELS 157, 257, 464
(IMPERIAL CROWN AND SIGNATURE STYLES)**

PART NUMBER	DESCRIPTION
1572102	STERLING
1572104	BISON BLACK
1572107	BLACK PICA
1572110	BLACK HAIRCEL
1572116	COMP. OAK
1572119	DOVE GREY
1572124	ENAMELED
1572127	FORMICAL SPECIAL
1572131	NU WHITE
1572142	PEWTER
1572145	PLATINUM GREY
1572150	PRES. WALNUT
1572153	SLATE
1572158	TEAK
1572161	VINYL SPECIAL
1572164	WHITE HAIRCEL



This document is available free of charge to our customers.
Crane Merchandising Systems



Snack / Refreshment Center 2 Parts Manual

**TABLE 34 E. BOTTOM TRIM PANEL OPTIONS (INDEX # 11) - MODELS 158, 258, 465, 484, 487
(IMPERIAL CROWN AND SIGNATURE STYLES)**

PART NUMBER	DESCRIPTION
1482196	COMP. OAK
1482198	PLATINUM GREY
1482209	ROSEWOOD
1482210	TEAK
1482214	BLACK HAIRCEL
1482222	STERLING
1482223	PRES. WALNUT
1482225	DOVE
1482226	SLATE
1482227	FORMICAL SPECIAL
1482232	ENAMELED
1482242	WHITE HAIRCEL
1482247	BLACK PICA
1482250	BISON BLACK
1582008	NUWHITE
4742005	VINYL SPCL

CRANE

This document is available free of
charge to our customers.
Crane Merchandising Systems



**TABLE 34 F. LEFT HAND TRIM PANEL OPTIONS (INDEX # 14) - MODELS 157, 257, 464
(IMPERIAL CROWN AND SIGNATURE STYLES)**

PART NUMBER	DESCRIPTION
1572100	STERLING
1572105	BLACK PICA
1572108	BLACK HAIRCEL
1572114	COMP. OAK
1572117	DOVE GREY
1572122	ENAMELED
1572125	FORMICA SPCL
1572129	NU WHITE
1572138	MOROCCO GREY
1572140	PEWTER
1572143	PLATINUM GREY
1572148	PRES. WALNUT
1572151	SLATE
1572154	STAINLESS STEEL
1572156	TEAK
1572159	VINYL SPCL
1572162	WHITE HAIRCEL
1572172	BISON BLACK
1572194	PORT AU PRINCE


 This document is available free of
 charge to our customers.
 Crane Merchandising Systems



Snack / Refreshment Center 2 Parts Manual

**TABLE 34 G. LEFT HAND TRIM PANEL OPTIONS (INDEX # 14) - MODELS 158, 258, 465, 484, 487
(IMPERIAL CROWN AND SIGNATURE STYLES)**

PART NUMBER	DESCRIPTION
1482124	DOVE
1482139	PORT AU PRINCE
1482143	ROSEWOOD
1482146	TEAK
1482169	PRES. WALNUT
1482174	PEWTER
1482177	FORMICA SPCL
1482189	SLATE
1482197	COMP. OAK
1482199	PLATINUM GREY
1482204	BLK. HAIRCEL
1482221	STERLING
1482233	ENAMELED
1482241	WHITE HAIRCEL
1482246	BLACK PICA
1482249	MOROCCO GREY
1582007	NUWHITE
1582026	BISON BLACK
4742006	VINYL SPCL

This document is available free of
charge to our customers.
Crane Merchandising Systems

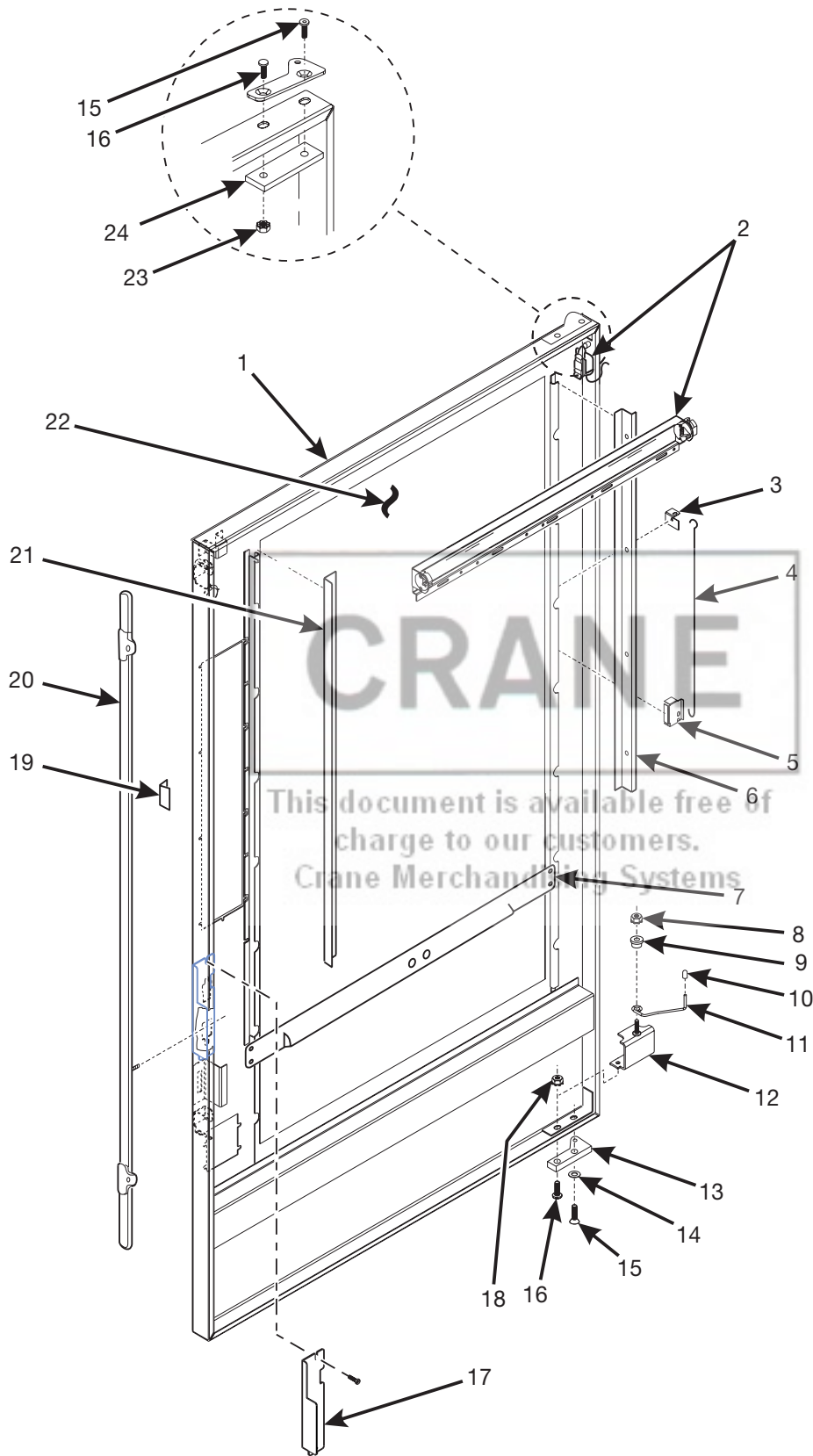


Figure 35. Door Assembly (Millennia Styling)

157P0272



Snack / Refreshment Center 2 Parts Manual

TABLE 35. DOOR ASSEMBLY (MILLENNIA STYLING)

INDEX	PART NUMBER	DESCRIPTION	QTY
1	1572225	WELD ASSEMBLY - DOOR - NV BLACK (157, 257, 464)	1
	1582069	WELD ASSEMBLY - DOOR - NV BLACK (158, 258, 465, 484, 487)	
	4872006	WELD ASSEMBLY - DOOR - MILL - SELECTA WHITE (USED ON MILLENNIA - SELECTA WHITE STYLING ONLY)	
2	-	UPPER DOOR LIGHT ASSEMBLY & BALLAST (SEE FIGURE 41 FOR DETAILS)	1
3	1572028	RETAINER-ROD SUPPORT-COMMON	1
4	1479140	ROD - SUPPORT - GUM & MINT	1
5	1572027	SUPPORT - PROP ROD - COMMON	1
6	1572020	RETAINER - GLASS W/O SIDE LIGHT (SHOWN) (157,158, 257, 258, 464, 465, 484, 487)	1
	4972107	RETAINER - GLASS W/ SIDE LIGHT (484, 487) (SEE FIGURE 36 FOR DETAILS)	
	4872015	RETAINER - GLASS - LG (SELECTA WHITE ONLY)	
7	-	HORIZONTAL TRIM & GLASS CHANNEL ASSEMBLY (SEE FIGURE 37 FOR DETAILS)	1
8	1211105	1/4 KEPS NUT EXT LW ZP	1
9	1142017	BUSHING - DOOR CHECK	1
10	1571037	CAP - VINYL - .281 ID X .50 LONG	1
11	1572009	ROD - DOOR CHECK	1
12	1572007	WELD ASSEMBLY - DOOR CHECK	1
13	6232031	HINGE ASSEMBLY - DOOR - LOWER	1
	6232031	HINGE ASSEMBLY - DOOR - LOWER - SELECTA WHITE	
14	4242145	BEARING - THRUST - LOWER HINGE	1
15	6232036	SCREW - 5.16-18 X .75 FLAT HEAD SOCKET	1
16	6232208	WELD SCREW - #1/4-20 X 1" LG	1
17	1572196	CHANNEL - FILLER - LOCK	1
18	1211105	1/4-20 KEPS NUT EXT LW ZP	1
19	1472250	GUIDE - LOCK BAR	1
20	1472178	LOCK BAR ASSEMBLY	1
21	1472048	PLATE - GLASS RETAINING	1
-	1451097	SCREW (ATTACHING PART FOR INDEX # 21)	7
22	1572228	GLASS - CURVED FRONT - 38.13" SNACK (157, 257, 464) (SEE FIGURE 36 FOR DETAILS)	1
	1582079	GLASS - CURVED FRONT - 32" SNACK (158, 258, 465, 484, 487) (SEE FIGURE 36 FOR DETAILS)	
23	1211105	1/4 KEPS NUT EXT LW ZP	1
24	6232028	PLATE ASSEMBLY - HINGE MOUNTING	1



497p0094

Figure 36. Door Glass and Glass Retaining Components (Millennia Styling)



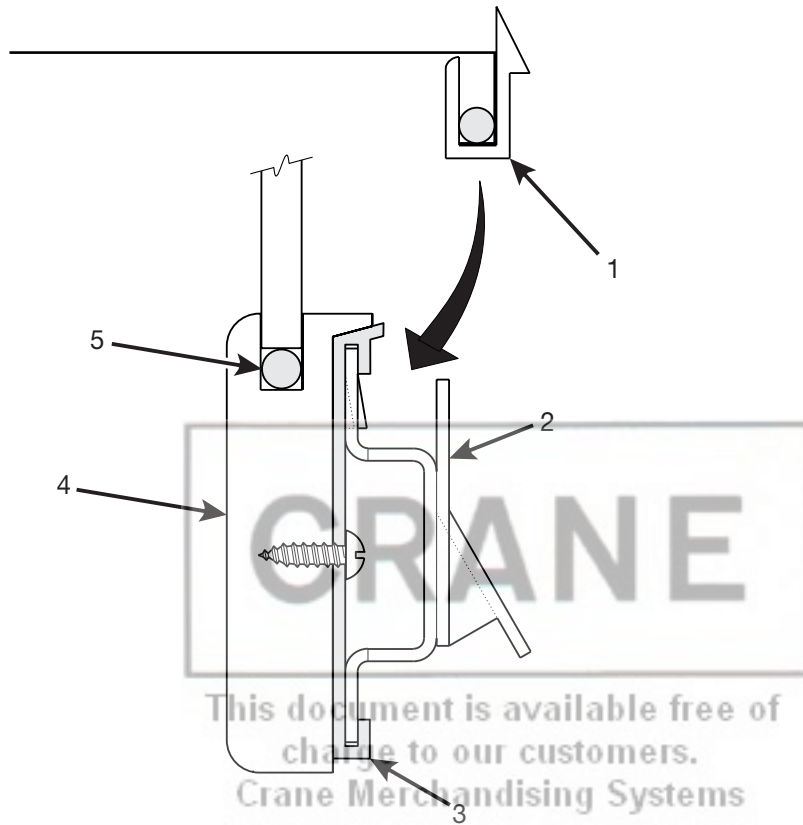
Snack / Refreshment Center 2 Parts Manual

TABLE 36. DOOR GLASS AND GLASS RETAINING COMPONENTS (MILLENNIA STYLING)

INDEX	PART NUMBER	DESCRIPTION	QTY
1	1582079	GLASS - CURVED FRONT - 32" - SNACK	1
2	4972107	RETAINER - GLASS W/ SIDE LIGHT	REF
2	1572020	RETAINER - GLASS W/O SIDE LIGHT	REF
3	1572243	GLASS - RETAINER - SPACER	2
4	1472048	GLASS RETAINING PLATE	REF

CRANE

This document is available free of
charge to our customers.
Crane Merchandising Systems



157p0278

Figure 37. Horizontal Trim and Glass Channel Assembly (Millennia Styling)



Snack / Refreshment Center 2 Parts Manual

TABLE 37. HORIZONTAL TRIM AND GLASS CHANNEL ASSEMBLY (MILLENNIA STYLING)

INDEX	PART NUMBER	DESCRIPTION	QTY
-	1572376	HORIZONTAL TRIM & GLASS CHANNEL ASSEMBLY (157, 257, 464)	1
	1582141	HORIZONTAL TRIM & GLASS CHANNEL ASSEMBLY (158, 258, 465, 484, 487)	
1	1572247	CHANNEL & DELECTOR ASSEMBLY (157, 257, 464)	1
	1582095	CHANNEL & DELECTOR ASSEMBLY (158, 258, 465, 484, 487)	
2	1472220	PANEL ASSEMBLY - GLASS LOWER (157, 257, 464)	1
	1602026	PANEL ASSEMBLY - GLASS LOWER (158, 258, 465, 484, 487)	
3	1572233	PANEL - LOWER TRIM - W/HOLES & PTD. (157, 257, 464)	1
	1582084	PANEL - LOWER TRIM - W/HOLES & PTD. (158, 258, 465, 484, 487)	
4	1572219	HORIZONTAL TRIM - UPPER - 38" J1 (157, 257, 464)	1
	1582201	HORIZONTAL TRIM - UPPER - J (158, 258, 465, 484, 487)	
5	1572235	GASKET - GLASS (157, 257, 464)	1
	1582093	GASKET - GLASS (158, 258, 465, 484, 487)	

CRANE

This document is available free of charge to our customers.
Crane Merchandising Systems

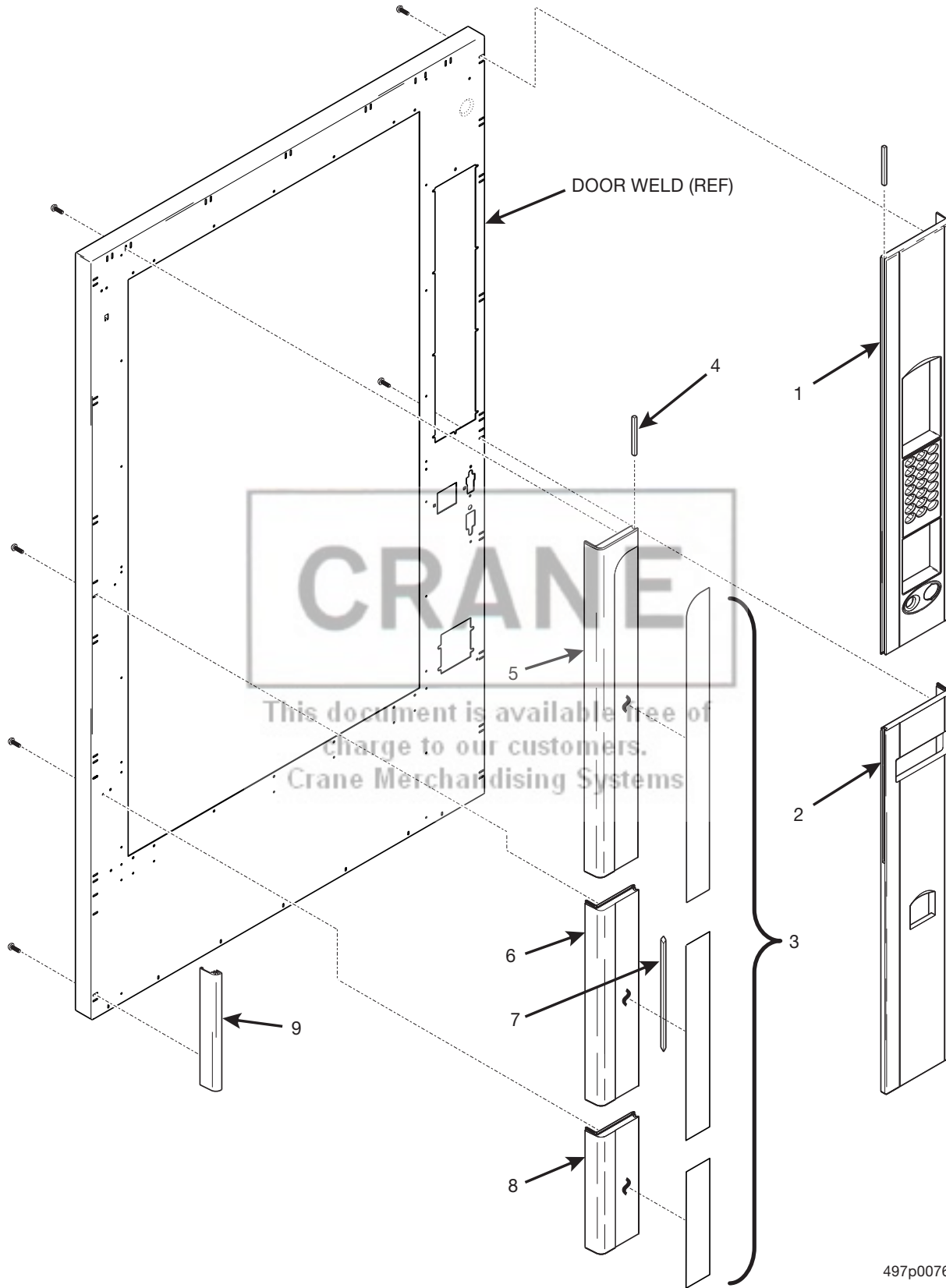


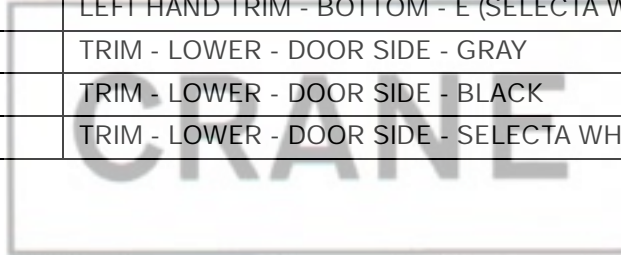
Figure 38. Common Trim and Panel Components - Millennium Styling (Part 1 of 2)



Snack / Refreshment Center 2 Parts Manual

TABLE 38. COMMON TRIM AND PANEL COMPONENTS - MILLENNIA STYLING (PART 1 OF 2)

INDEX	PART NUMBER	DESCRIPTION	QTY
1	1572213	RIGHT HAND TRIM - UPPER - A-21	1
2	1572214	RIGHT HAND TRIM - LOWER - B	1
3	1572258	DECAL - DOOR TRIM VERTICAL ASSEMBLY (INCLUDES DECALS FOR INDEX #'S 5, 6 & 8)	1
4	1572259	FILLER - GROOVE - SHORT	2
	4872018	FILLER - GROOVE - SHORT (SELECTA WHITE)	
5	1572215	LEFT HAND TRIM - UPPER - C (MILLENNIA GRAY)	1
	4872007	LEFT HAND TRIM - UPPER - C (SELECTA WHITE)	
6	1572216	LEFT HAND TRIM - MIDDLE - D (MILLENNIA GRAY)	1
	4872008	LEFT HAND TRIM - MIDDLE - D (SELECTA WHITE)	
7	1572260	FILLER - GROOVE - LONG	1
	4872019	FILLER - GROOVE - LONG (SELECTA WHITE)	
8	1572217	LEFT HAND TRIM - BOTTOM - E (MILLENNIA GRAY)	1
	4872008	LEFT HAND TRIM - BOTTOM - E (SELECTA WHITE)	
9	1572267	TRIM - LOWER - DOOR SIDE - GRAY	1
	1572324	TRIM - LOWER - DOOR SIDE - BLACK	
	4872013	TRIM - LOWER - DOOR SIDE - SELECTA WHITE	



This document is available free of charge to our customers.
Crane Merchandising Systems

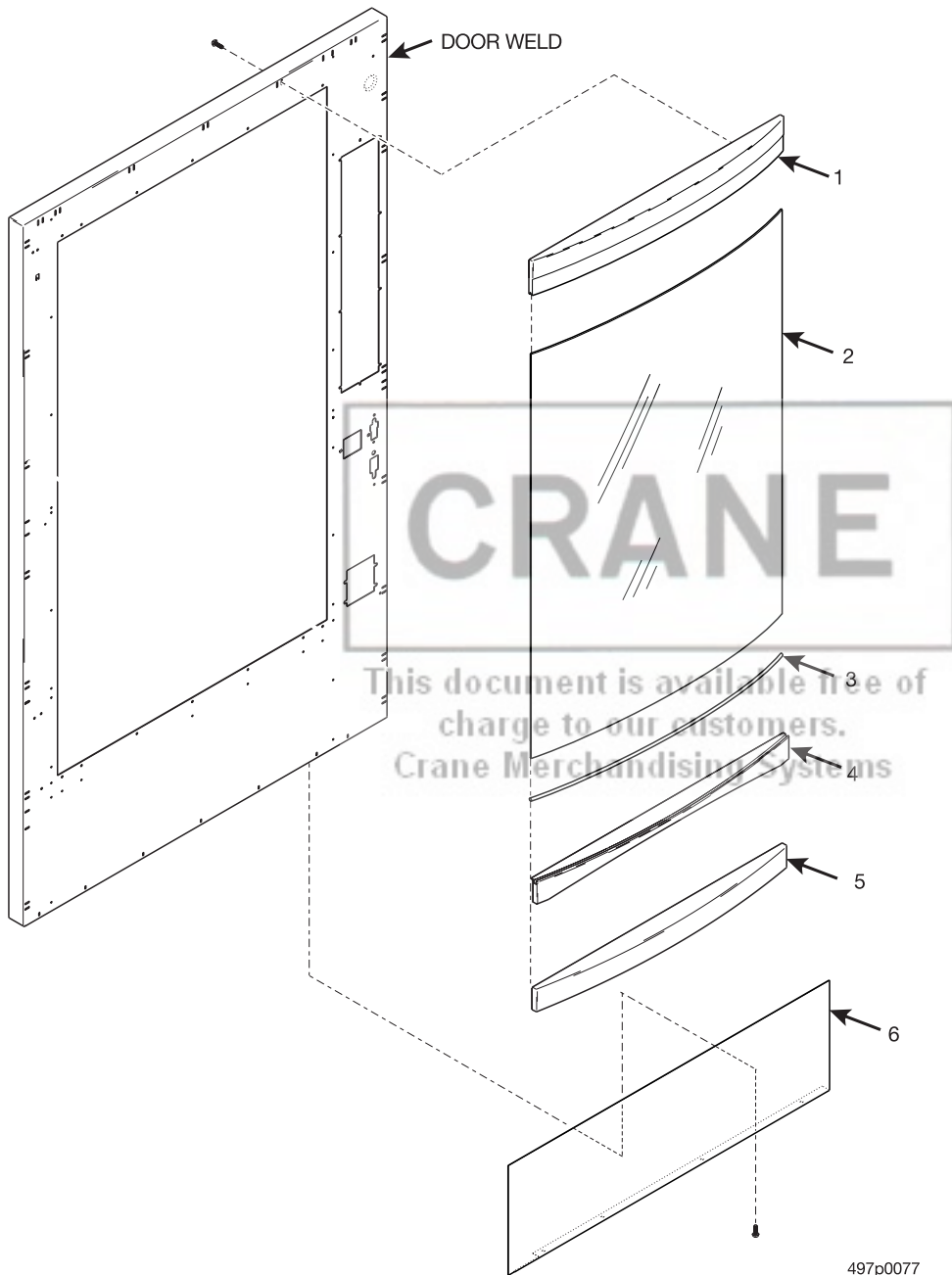


Figure 39. Common Trim and Panel Components - Millennia Styling (Part 2 of 2)



Snack / Refreshment Center 2 Parts Manual

TABLE 39. COMMON TRIM AND PANEL COMPONENTS - MILLENNIA STYLING (PART 2 OF 2)

INDEX	PART NUMBER	DESCRIPTION	QTY
1	1572218	HORIZONTAL TRIM - TOP - 38" - H1 (157, 257, 464)	1
	1582200	HORIZONTAL TRIM - TOP - 32" - H (158, 258, 465, 484, 487)	
	4872011	HORIZONTAL TRIM - TOP - 32" - SELECTA WHITE	
-	1572236	DECAL - DOOR TRIM HORIZ. - 38 IN.	1
	1582086	DECAL - DOOR TRIM HORIZ. - 32 IN.	
2	1572228	GLASS - CURVED FRONT - 38.13" - SNACK (157, 257, 464)	1
	1582079	GLASS - CURVED FRONT - 32" - SNACK (158, 257, 465, 484, 487)	
3	1582093	GASKET - GLASS	1
4	1572219	HORIZONTAL TRIM - UPPER - 38" - J1 (157, 257, 464)	1
	1582201	HORIZONTAL TRIM - UPPER - J (158, 258, 465, 484, 487)	
5	1572220	HORIZONTAL TRIM - LOWER - 38" - K1 (157, 257, 464)	1
	1582202	HORIZONTAL TRIM - LOWER - K (158, 258, 465, 484, 487)	
6	1572327	PANEL - BOTTOM TRIM - GRAY (157, 257, 464)	1
	1582115	PANEL - BOTTOM TRIM - GRAY (158, 258, 465, 484, 487)	
	1582116	PANEL - BOTTOM TRIM - BLACK (158, 258, 465, 484, 487)	
	4872012	PANEL - BOTTOM TRIM - SELECTA WHITE (32")	



This document is available free of charge to our customers.
Crane Merchandising Systems

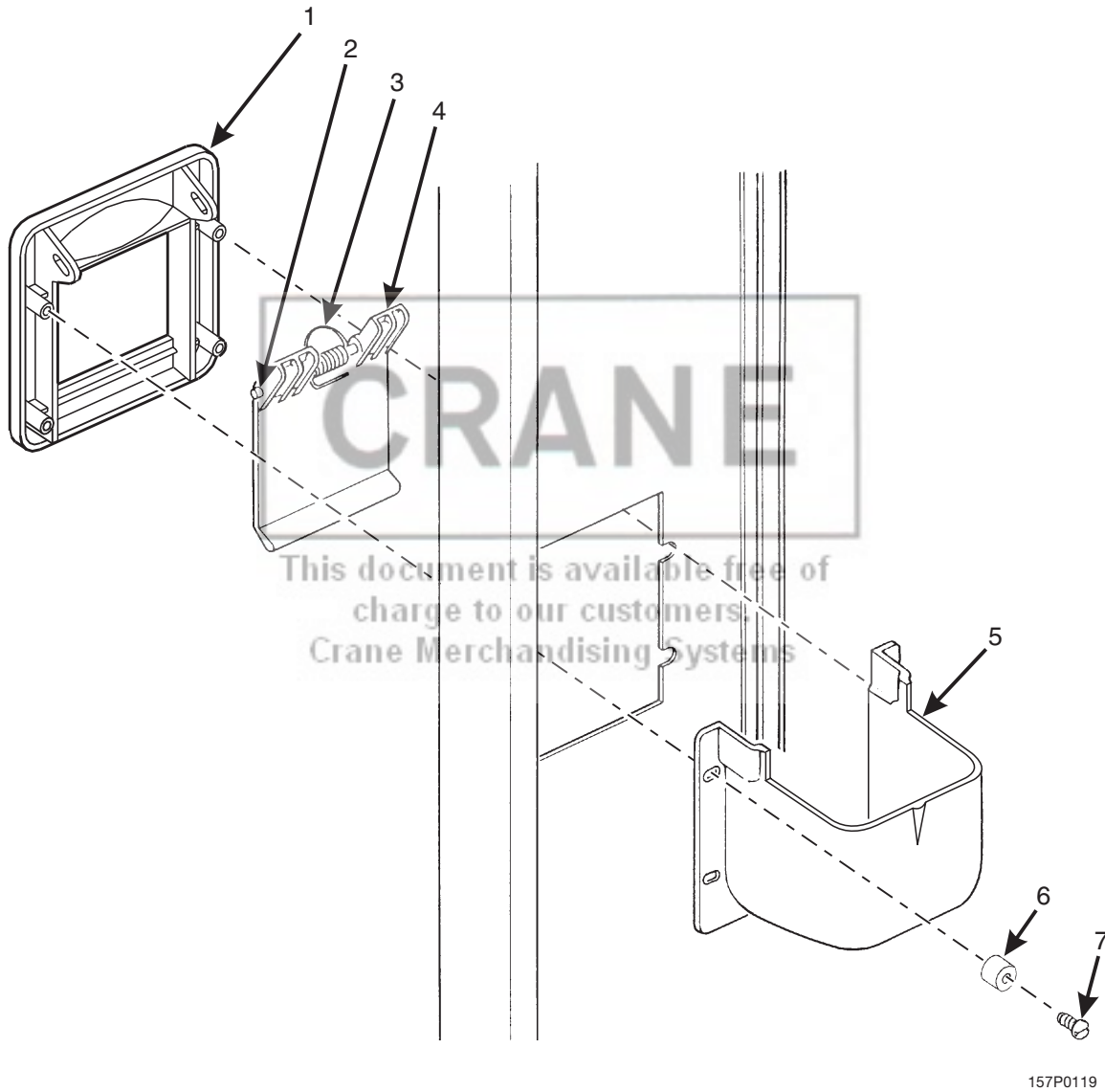


Figure 40. Coin Receptacle Assembly



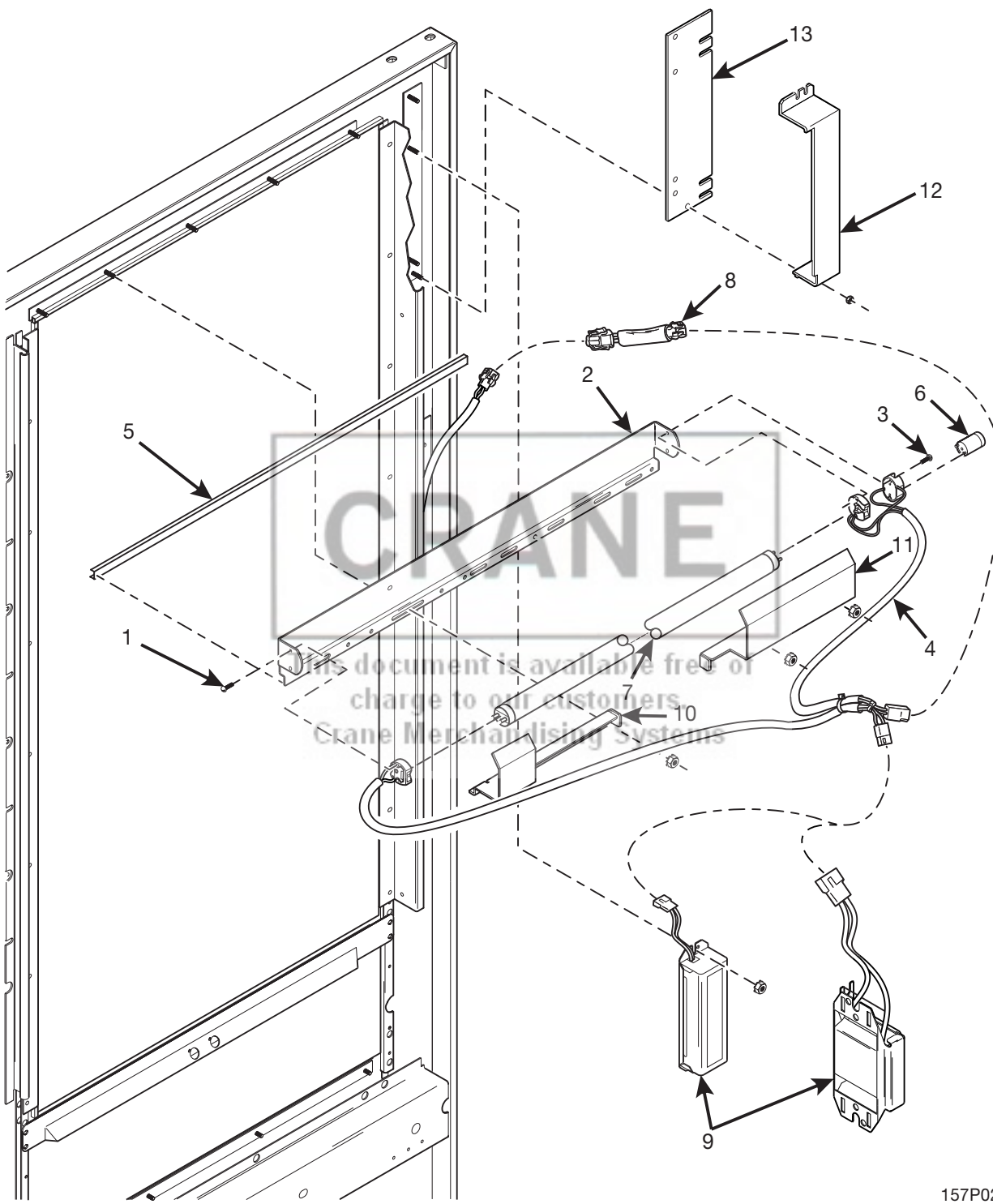
Snack / Refreshment Center 2 Parts Manual

TABLE 40. COIN RECEPTACLE ASSEMBLY

INDEX	PART NUMBER	DESCRIPTION	QTY
1	1572011	TRIM - COIN RECEPTACLE	1
2	4245084	SHAFT - DOOR - COIN RETURN	1
3	4245083	SPRING - COIN RETURN DOOR	1
4	4245082	GATE - COIN RETURN	1
5	1572010	CUP - COIN RETURN	1
6	2302053	SPACER - CUP	4
7	4042512	SCREW, #8-32 X ½ PHS S/T	4

CRANE

This document is available free of
charge to our customers.
Crane Merchandising Systems



157P0274

Figure 41. Light Assembly - Upper Door



Snack / Refreshment Center 2 Parts Manual

TABLE 41. LIGHT ASSEMBLY - UPPER DOOR

INDEX	PART NUMBER	DESCRIPTION	QTY
-	1702004	LIGHT ASSEMBLY-UPPER-DOOR (25W) (120V MODELS 157,257,464)	1
	1702003	LIGHT ASSEMBLY-UPPER-DOOR (20W) (120V MODELS 158,258,465,484,487,AND ALL 230V MODELS)	1
1	1452046	SCREW - 4-36 X .437 RHS	1
2	1572039	BRACKET - LIGHT - COMMON - 25 W	1
	1582025	BRACKET - LIGHT - COMMON - 20W	
3	3107171	SCREW - #4-36X5.8 RHS	2
4	1709015	HARNESS - DOOR - FLUOR. LIGHT	1
5	1572244	SPACER - LIGHT BRACKET (157, 257, 464 - MILLENNIA STYLE ONLY)	1
	1582085	SPACER - LIGHT BRACKET (158, 258, 465, 484, 487 -MILLENNIA STYLE ONLY)	
6	2302218	STARTER (20W) (ALL MODELS WITH 1702004 LIGHT ASSEMBLY)	1
	2222095	STARTER (20W) (ALL MODELS WITH 1702003 LIGHT ASSEMBLY)	
7	1122138	FLUORESCENT LAMP (20W) (ALL MODELS WITH 1702003 LIGHT ASSEMBLY)	1
	1172115	FLUORESCENT LAMP (25W) (ALL MODELS WITH 1702004 LIGHT ASSEMBLY)	
8	1451124	SUPPRESSION NETWORK ASSEMBLY (ALL 120V MODELS)	1
	6332010	SUPPRESSION NETWORK ASSEMBLY (ALL 230V MODELS)	
9	3151058	BALLAST-120V (158,258,465,484,487)	1
	6152188	BALLAST-120V (157,257,464)	
	1572016	BALLAST - ALL 230V MODELS	
10	1572044	COVER - LIGHT SOCKET - RIGHT (U.K., FR, GER)	1
11	1572045	COVER - LIGHT SOCKET - LEFT (U.K., FR, GER)	1
12	1572047	COVER - BALLAST - EUROPE	1
13	1572046	PLATE - BALLAST (USED ON 230V MODELS)	1

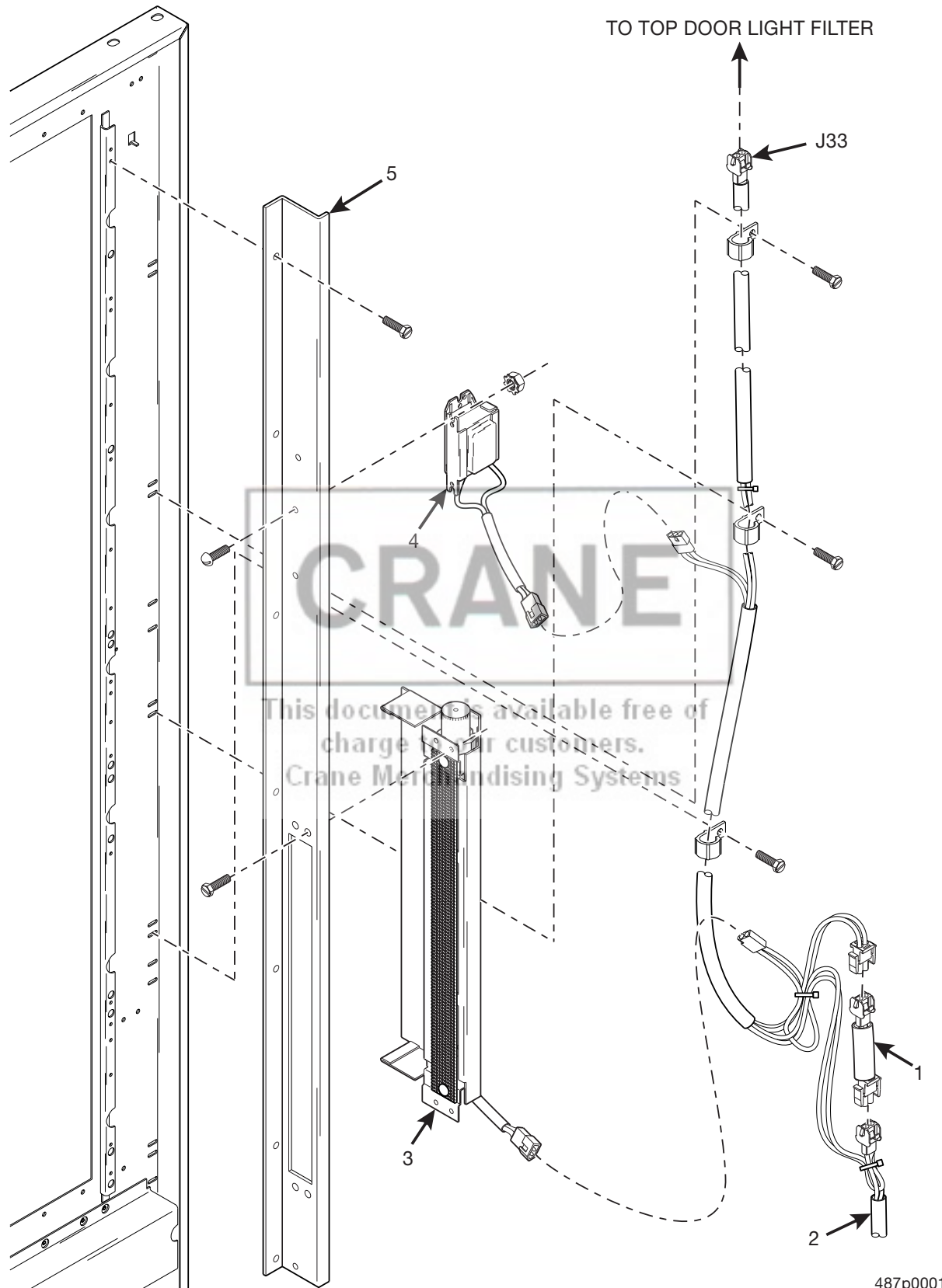


Figure 42. Door Assembly - Models 484, 487 With Refrig/Frozen Food Module



Snack / Refreshment Center 2 Parts Manual

TABLE 42. DOOR ASSEMBLY - MODELS 484, 487 WITH REFRIG/FROZEN FOOD MODULE

INDEX	PART NUMBER	DESCRIPTION	QTY
1	1451124	SUPPRESSION NETWORK ASSEMBLY (110V)	1
	6332010	SUPPRESSION NETWORK ASSEMBLY (230V)	
2	4979009	HARNES - SIDE PANEL & DOOR FLST LIGHT (110V/230V)	1
3	1572023	FLUORESCENT SIDE LIGHT ASSEMBLY	1
4	4401016	BALLAST (110V)	1
	4851085	BALLAST (230V)	
5	4972107	RETAINER - GLASS W/SIDE LIGHT	1

CRANE

This document is available free of
charge to our customers.
Crane Merchandising Systems

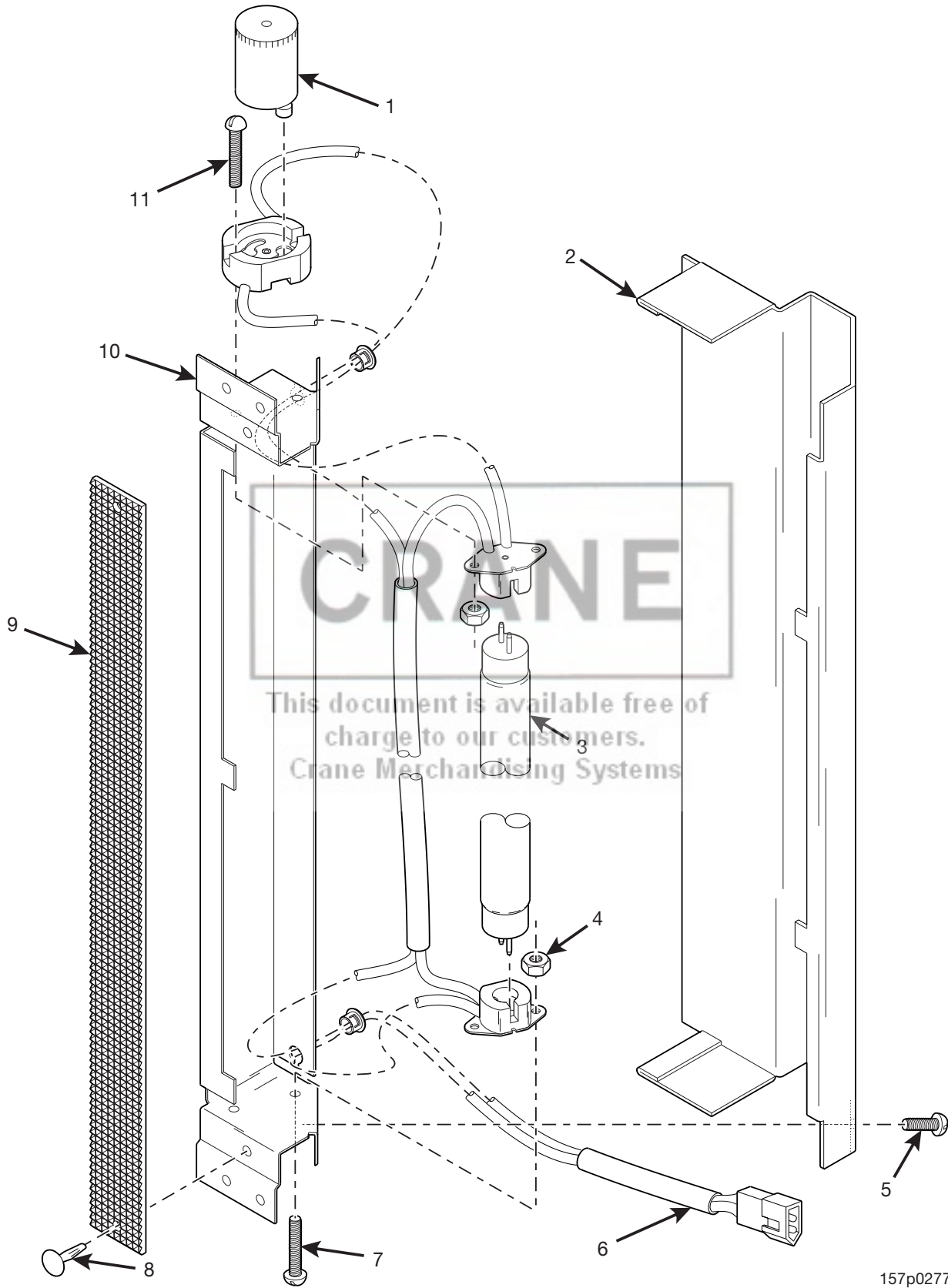


Figure 43. Fluorescent Side Light Assembly

157p0277



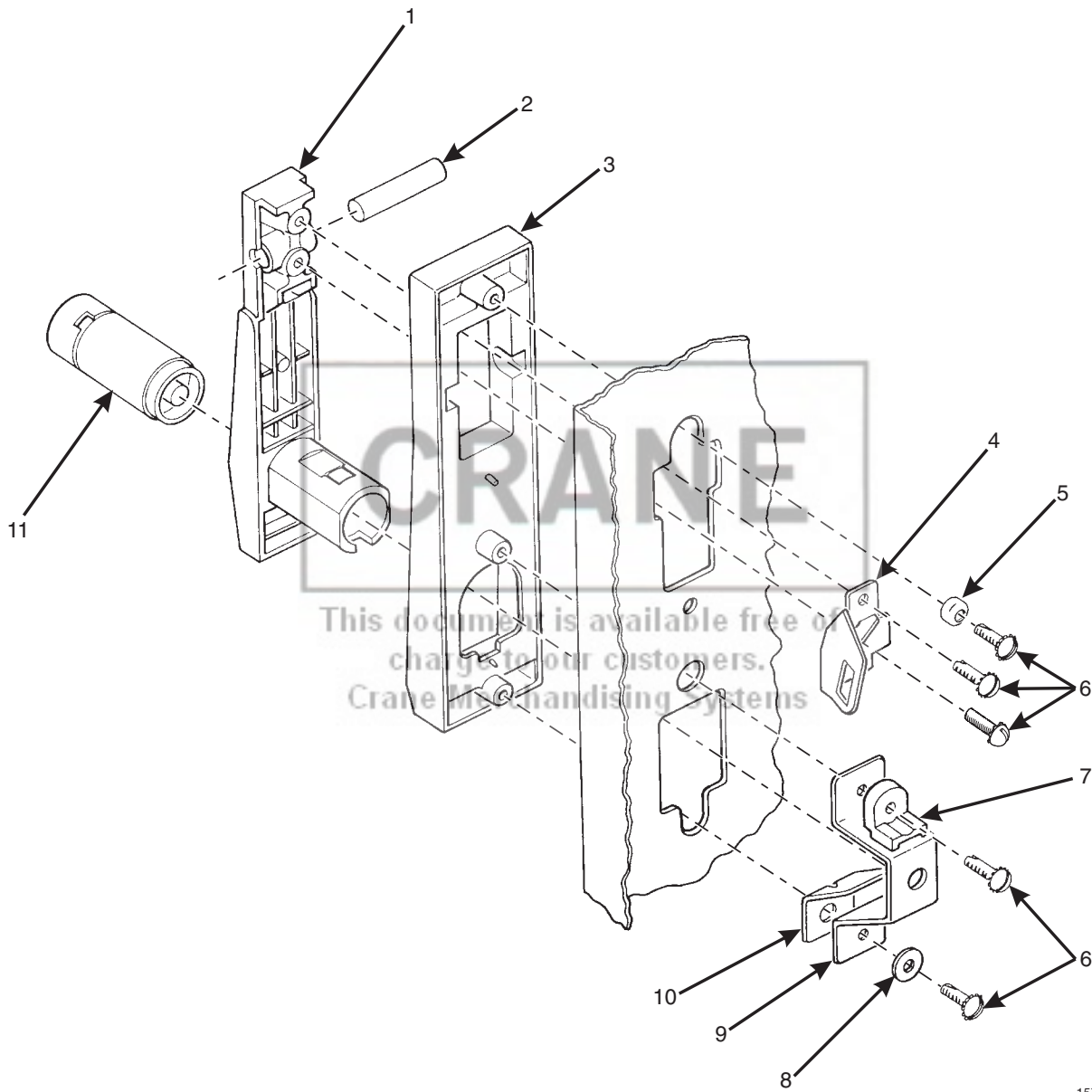
Snack / Refreshment Center 2 Parts Manual

TABLE 43. FLUORESCENT SIDE LIGHT ASSEMBLY

INDEX	PART NUMBER	DESCRIPTION	QTY
-	1572023	FLUORESCENT SIDE LIGHT ASSEMBLY	1
1	1212148	FLUORESCENT STARTER FS 5	1
2	4852049	COVER - LIGHT	1
3	2146059	LAMP - FLUORESCENT 8 WATT F8T5/CW	1
4	2222227	NUT - #4-40 SELF LOCKING	4
5	9900019	SCREW - #8-32 X 3/8 RHS	2
6	4849008	HARNESS - FLST. LT. - FOOD MODULE	1
7	6106341	SCREW - #4-40 X 3/8 RHS	2
8	4042556	CANOE CLIP	2
9	4842004	DIFFUSER - LIGHT	1
10	4842015	HOUSING - LIGHT - COMMON	1
11	1212139	SCREW - 4-40X1/2 RHS MACH SCR ZP	2

CRANE

This document is available free of
charge to our customers.
Crane Merchandising Systems



157P0243

Figure 44. Door Lock and Handle Assembly (Imperial Crown and Signature Styles)



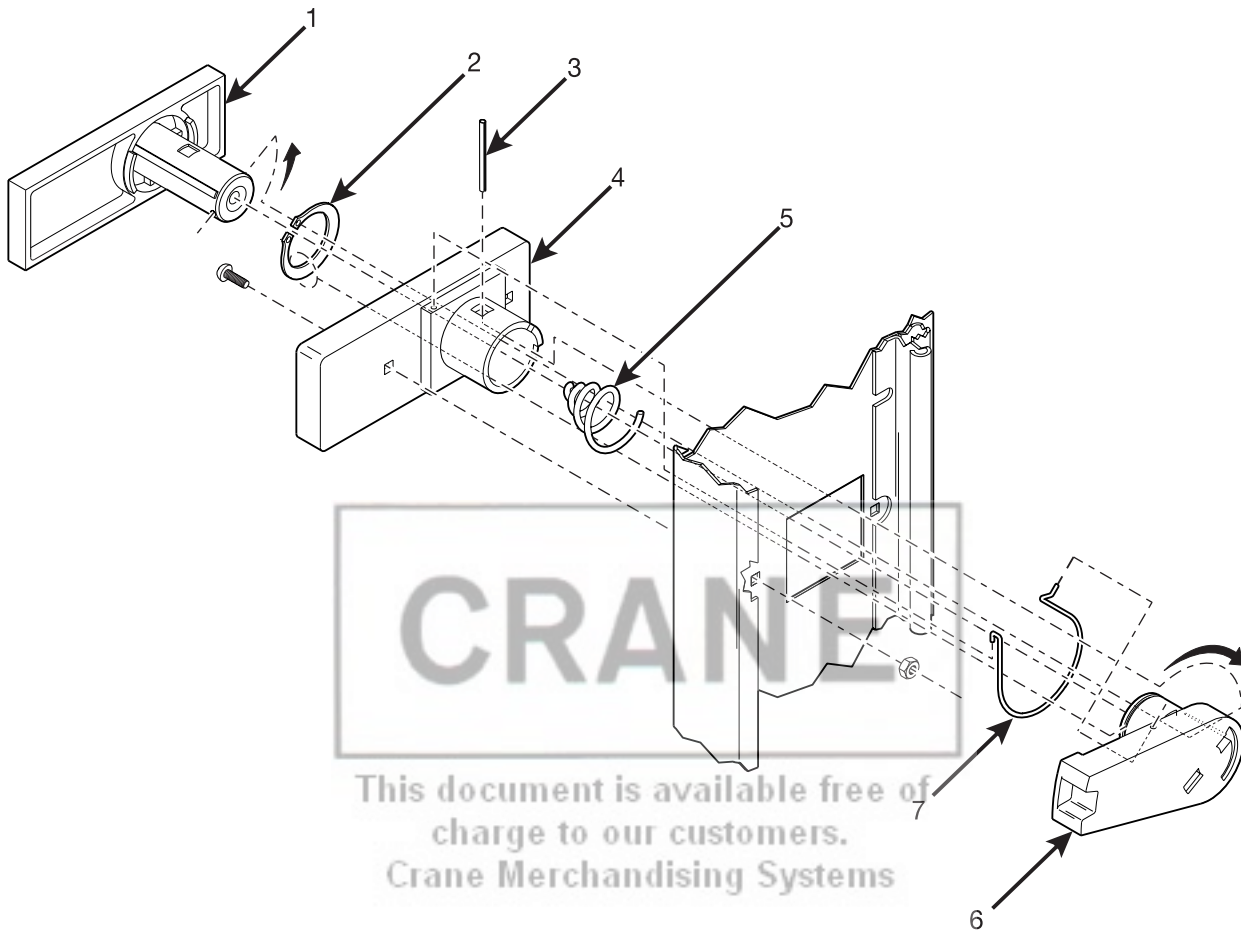
Snack / Refreshment Center 2 Parts Manual

TABLE 44. DOOR LOCK AND HANDLE ASSEMBLY (IMPERIAL CROWN AND SIGNATURE STYLES)

INDEX	PART NUMBER	DESCRIPTION	QTY
1	1172190	LEVER - LOCK	1
2	1302291	PIVOT - LEVER LOCK	1
3	1172191	BASE - LEVER LOCK	1
4	2272052	ACTUATOR ASSEMBLY - LOCK BAR	1
5	1302289	CUP SPACER	1
6	1217161	SCREW - #10-32 X ½ RHS W/LW	5
7	1302326	SHIELD - LATCH	1
8	9900121	WASHER - STEEL - 7/16 X .203 X .032	1
9	1302324	CATCH - DOOR LATCH	1
10	1302290	LATCH - LOCK LOWER	1
11	9992400	CYLINDER - LOCK	1
	3112163	VAN LOCK	OPT
-	3112164	KEY (NOT SHOWN) VAN LOCK APPLICATION (NOT SHOWN)	1 OPT

CRANE

This document is available free of
charge to our customers.
Crane Merchandising Systems



497p0029

Figure 45. Door Lock and Handle Assembly (Millennia Style)



TABLE 45. DOOR LOCK AND HANDLE ASSEMBLY (MILLENNIA STYLE)

INDEX	PART NUMBER	DESCRIPTION	QTY
-	1572395	LOCK ASSEMBLY - MILLENNIA	1
1	1572397	LEVER - HANDLE	1
2	1572199	RETAINING RING - LOCK ACTUATOR	1
3	6104218	ROLL PIN - 1/8 X 1 IN.	1
4	1572396	BASE - LOCK HANDLE	1
5	1572203	SPRING - LOCK	1
6	1572204	ACTUATOR - LOCK BAR	1
7	1572398	SPRING - LIFT - ACTUATOR	1

CRANE

This document is available free of
charge to our customers.
Crane Merchandising Systems

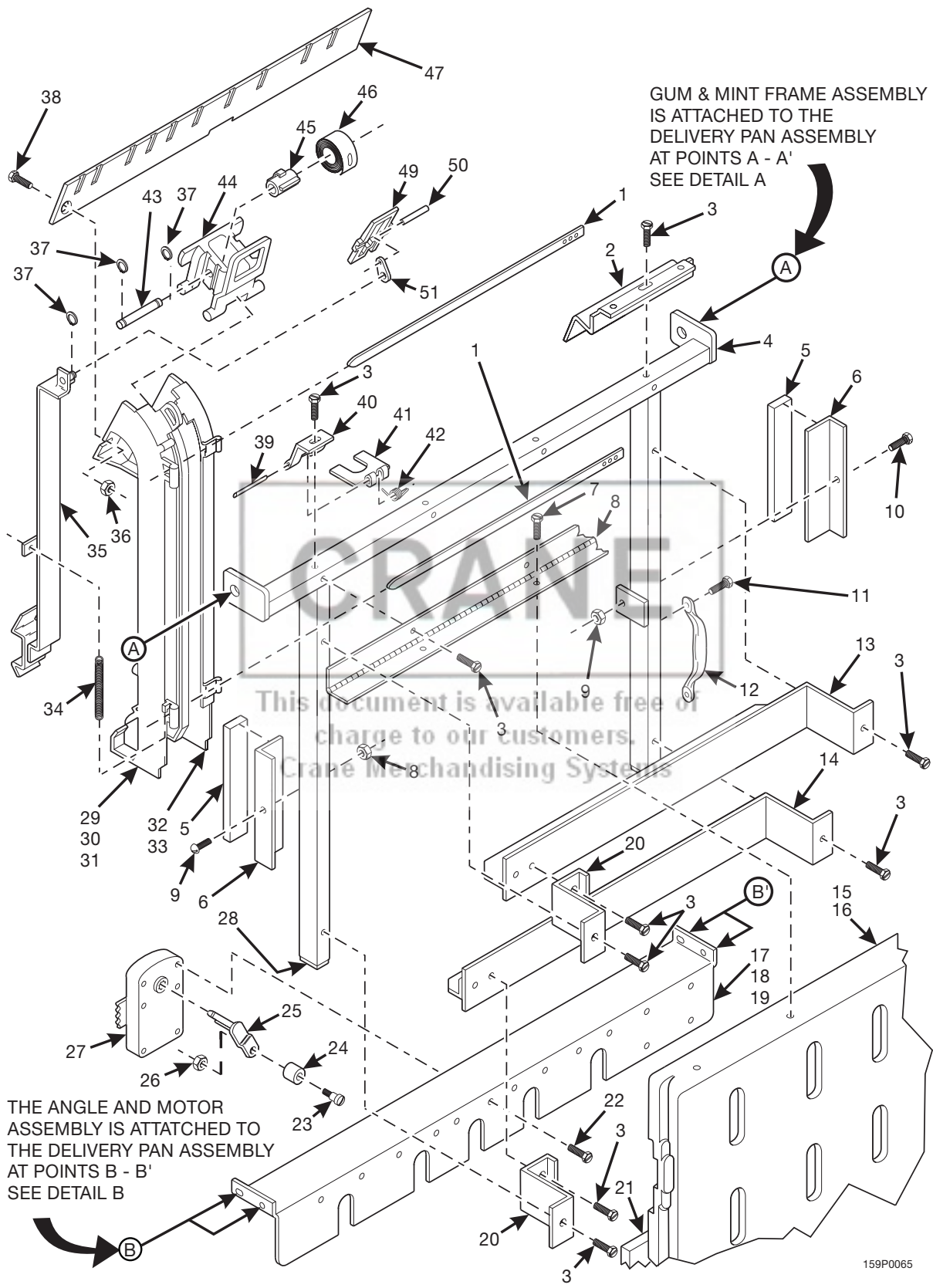


Figure 46. Gum and Mint Assembly



Snack / Refreshment Center 2 Parts Manual

TABLE 46. GUM AND MINT ASSEMBLY

INDEX	PART NUMBER	DESCRIPTION	QTY.
-	1577000	GUM & MINT COLUMN (157, 257, 464)	-
-	1587000	GUM & MINT COLUMN (158, 258, 465, 484, 487)	-
1	1479096	RETAINER	3
2	1479103	FILLER - GUM & MINT	2
3	1451097	SCREW - #8-32 X .31 HEX HD. TF - BLK	-
4	1479136	FRAME ASSEMBLY - GUM & MINT (157, 257, 464)	1
	1489008	FRAME ASSEMBLY - GUM & MINT (158, 258, 465, 484, 487)	1
5	3122056	MAGNET RETAINER - COIN CHANGER	2
6	1479117	ANGLE - MAGNET	2
7	1437207	SCREW	4
8	1479104	HINGE - COVER	1
9	1412046	8-32 NUT MF 23TW832 BLOX	2
10	9900201	SCREW #8-32 X 5/16 RHS SEMS MACH ZINC	2
11	4041053	SCREW #10-32 X 3/8 PHS T/C W/LW	2
12	1479139	PULL - DOOR	1
13	1479089	SUPPORT ASSEMBLY - MAGAZINE - UPPER	1
14	1479092	SUPPORT ASSEMBLY - MAGAZINE - LOWER	1
15	1479125	COVER ASSEMBLY	1
16	1479124	LABEL - LOADING - GUM & MINT (NOT SHOWN)	1
17	1572351	ANGLE - MOTOR (157, 257, 464)	1
	1489005	ANGLE - MOTOR (158, 258, 465, 484, 487)	
18	6131143	CABLE CLAMP RICHCO #KKC6	2
19	1452139	(NRI15590-6) CABLE CLIP #805-3M	1
20	1479095	BRACKET - MAGAZINE	2
21	1479119	MAGNET - RETAINER	2
22	1457027	8-32 X .81 HHSI TAPTITE Z/Y	10
23	1479062	STUD - DRIVE ARM	5
24	1479063	ROLLER - DRIVE ARM	5
25	1479145	ARM - DRIVE MOTOR	5
26	9900081	NUT #8-32 KEPS ZINC PLATE	5
27	1577035	MOTOR & PCB ASSEMBLY	5
28	1479120	CAPLUG - REC. 1/2 X 1	2
29	1479076	CHANNEL - GUM & MINT - RIGHT - SMALL	3
30	1479077	CHANNEL - GUM & MINT - RIGHT - LARGE	2
31	1572140	LABEL - LOADING LINE - GUM & MINT	1
32	1479075	CHANNEL - GUM & MINT - LEFT	5
33	1479064	SPACER - COLUMN - GUM & MINT	2
34	4246307	SPRING - HORIZONTAL SELECTOR ARM	5

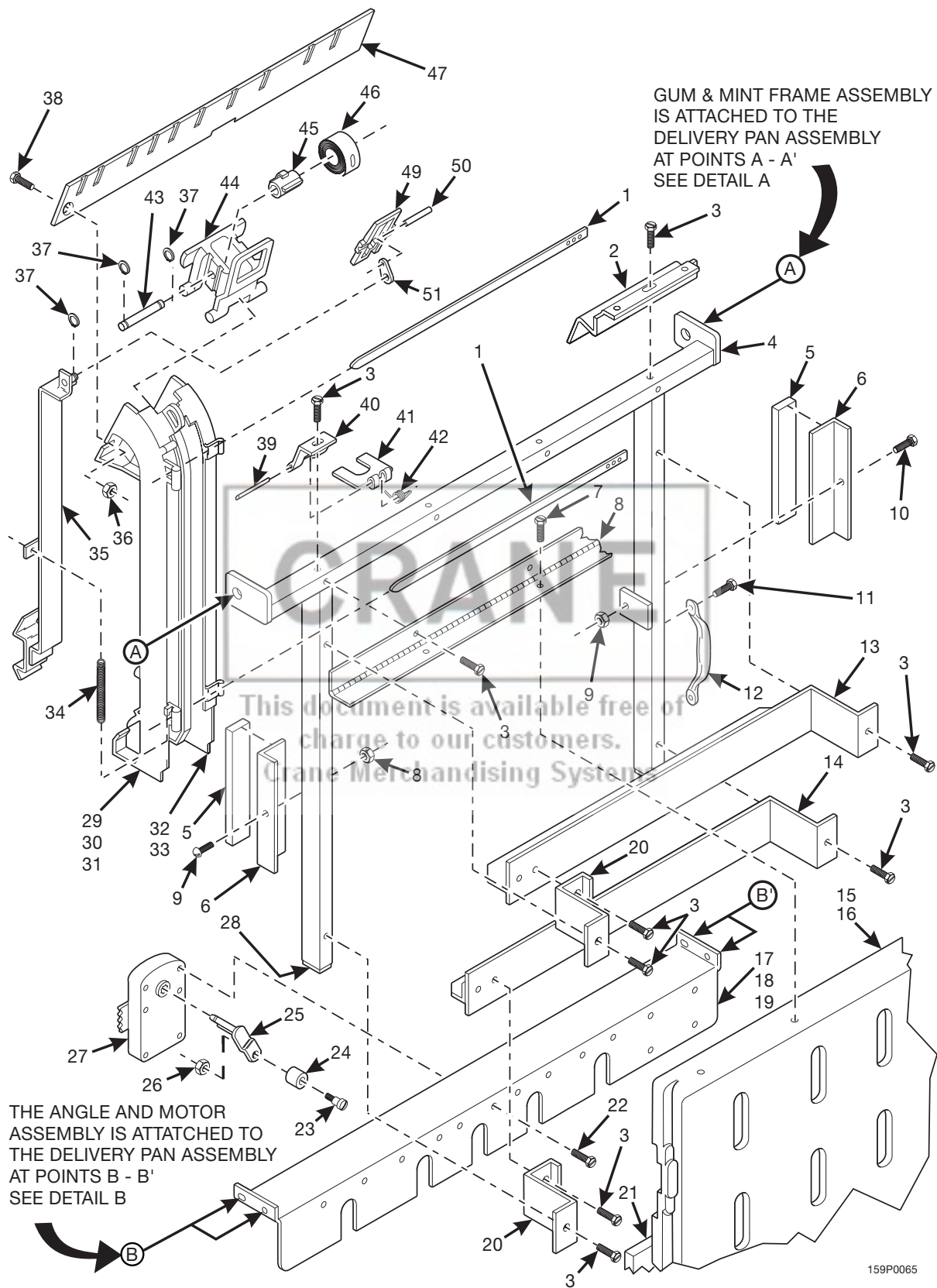


Figure 46. Gum and Mint Assembly



Snack / Refreshment Center 2 Parts Manual

TABLE 46. GUM AND MINT ASSEMBLY (CONTINUED)

INDEX	PART NUMBER	DESCRIPTION	QTY.
35	1479123	DRIVE BAR & STUD ASSEMBLY	5
36	9900081	NUT #8-32 KEPS ZINC PLATE	1
37	9900425	RETINING RING REINF E TYP. 250	15
38	9900020	SCREW #8-32 X ½ RHS MACH. ZINC	1
39	1479083	PIN - HINGE	5
40	1479082	HINGE - BACK	5
41	1479081	HINGE - FRONT	5
42	1479084	SPRING - HINGE	5
43	1479099	PIN - PUSHER	5
44	1479079	PUSHER	5
45	1479080	SPOOL - SPRING	5
46	1479106	SPRING - PUSHER	5
47	1479105	WINDOW - GUM & MINT	1
48	1479078	EJECTOR - GUM & MINT	5
49	1479098	PIN - EJECTOR	5
50	1479097	LINK - EJECTOR	5
51	1579012	HARNESS - GUM & MINT (NOT SHOWN)	1

THE FOLLOWING ARE AVAILABLE AS ASSEMBLIES:

1479127	ANGLE & MOTOR ASSEMBLY (MODEL 157, 257, 464) (INCLUDES INDEX NUMBERS 17, 23-25, 27 & 51)
1489004	ANGLE & MOTOR ASSEMBLY (MODELS 158, 258, 465, 484, 487) (INCLUDES INDEX NUMBERS 16, 17, 21-26 & 28)
1479130	MAGAZINE ASSEMBLY - GUM & MINT (MODELS 157, 257, 464) (INCLUDES INDEX NUMBERS 2, 3, 5, 8, 15, 16, 20, 23, 29-50)
1489006	MAGAZINE ASSEMBLY - GUM & MINT (MODELS 158, 258, 465, 484, 487) (INCLUDES INDEX NUMBERS 2, 3, 5, 8, 15, 16, 20, 23, 29-50)
1489004	ANGLE & MOTOR ASSEMBLY (MODELS 158, 258, 465, 484, 487) (INCLUDES INDEX NUMBERS 16, 17, 21-26 & 28)
1479130	MAGAZINE ASSEMBLY - GUM & MINT (MODELS 157, 257, 464) (INCLUDES INDEX NUMBERS 2, 3, 5, 8, 15, 16, 20, 23, 29-50)
1489006	MAGAZINE ASSEMBLY - GUM & MINT (MODELS 158, 258, 465, 484, 487) (INCLUDES INDEX NUMBERS 2, 3, 5, 8, 15, 16, 20, 23, 29-50)
1479126	ARM & ROLLER ASSEMBLY (INCLUDES INDEX NUMBERS 23 - 26)
1479127	ANGLE & MOTOR ASSEMBLY (MODEL 157, 257, 464) (INCLUDES INDEX NUMBERS 17, 23-25, 27 & 51)

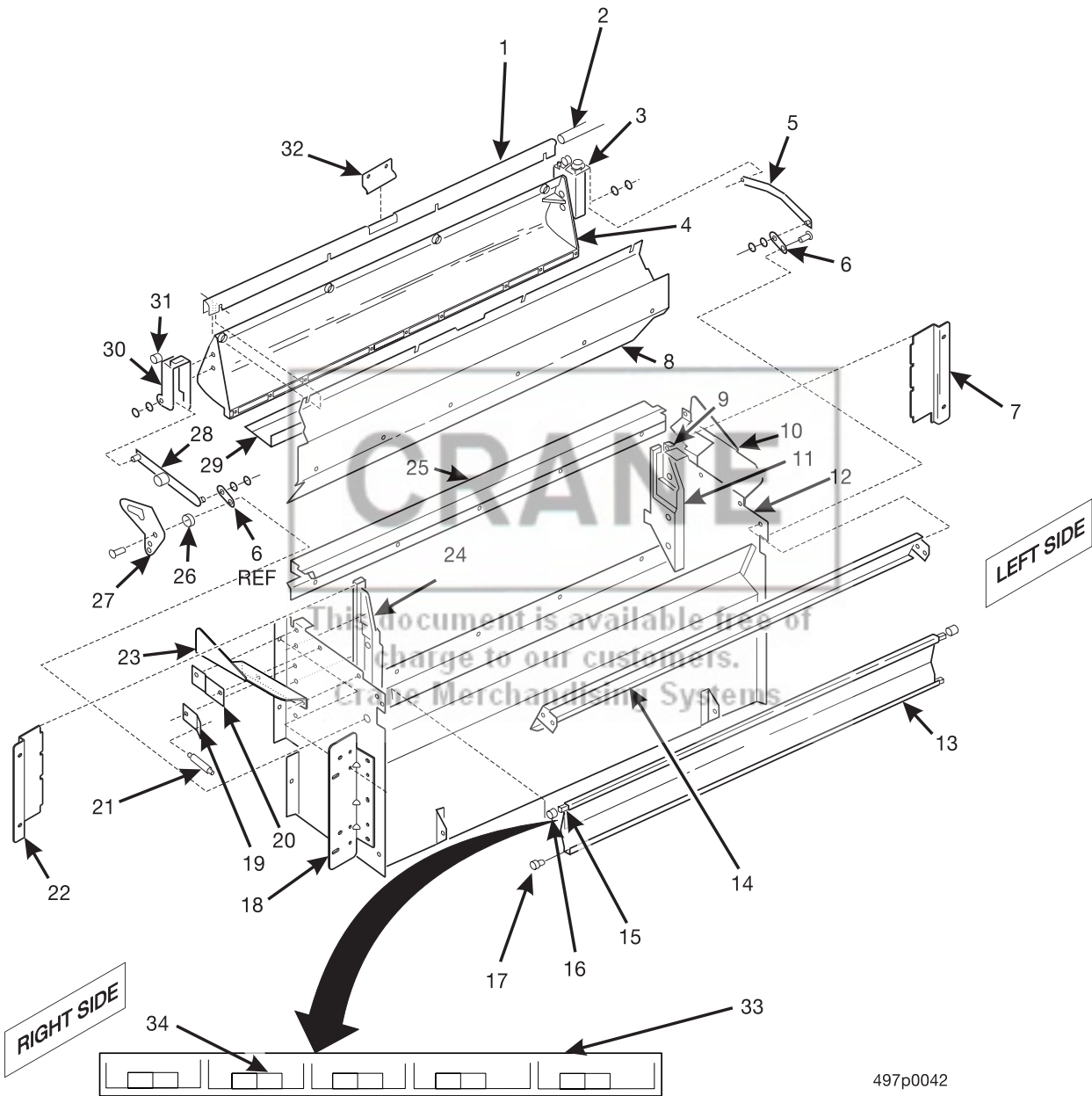


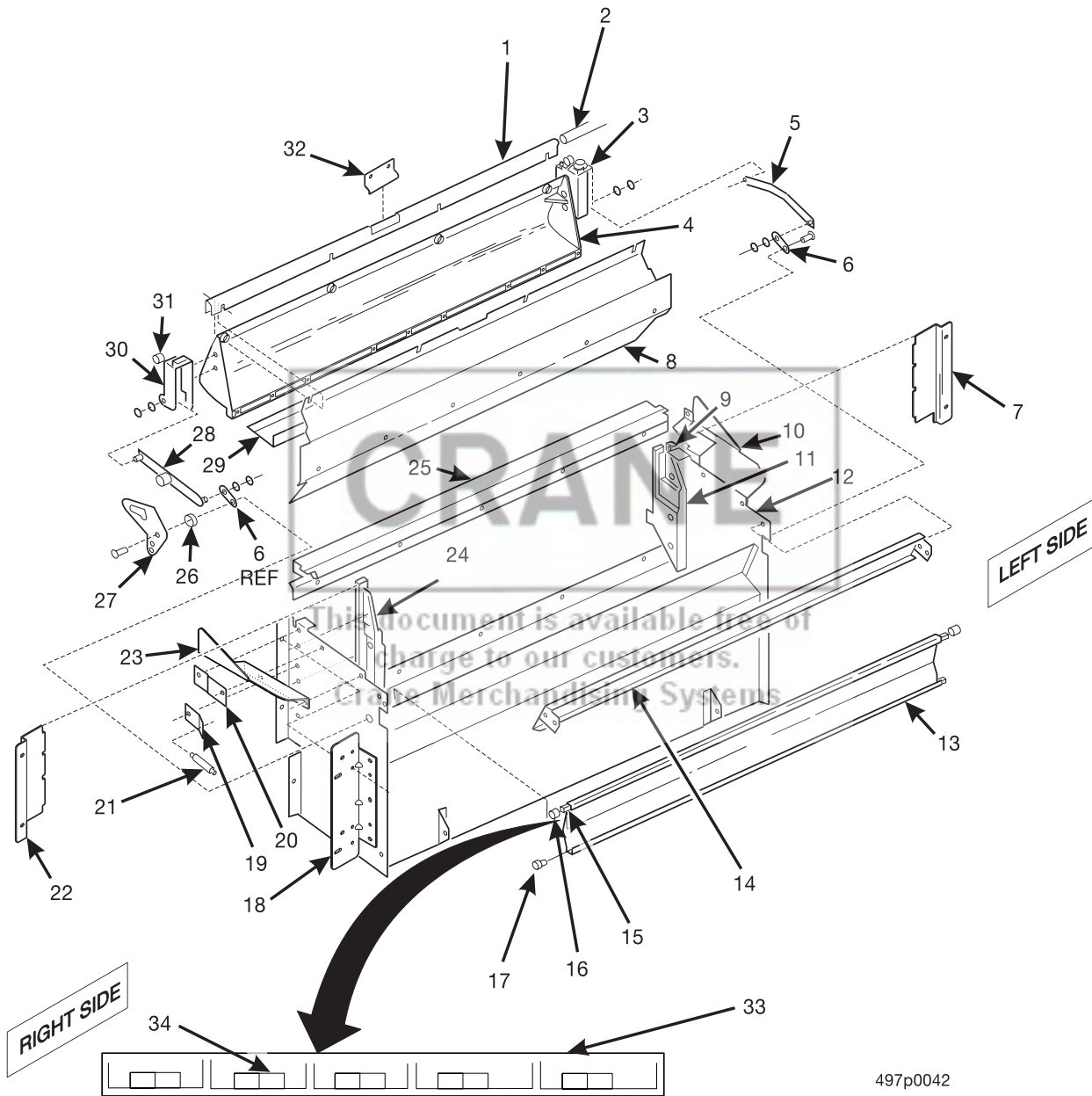
Figure 47. Delivery Pan Assembly



Snack / Refreshment Center 2 Parts Manual

TABLE 47. DELIVERY PAN ASSEMBLY

INDEX	PART NUMBER	DESCRIPTION	QTY.
-	1572043	DELIVERY PAN ASSEMBLY (157, 257, 464)	1
	1602039	DELIVERY PAN ASSEMBLY (158, 258, 475, 484, 487)	
	4852085	FLAP DELIVERY PAN ASSEMBLY (485, 486, 493)	
	4972009	FLAP DELIVERY PAN ASSEMBLY (497)	
1	1412028	CHANNEL - DOOR (157, 257, 464), (497)	1
	1462035	CHANNEL - DOOR (158, 258, 475, 484, 487), (485, 486, 493)	
-	1170206	SCREW #8-32 X 3/8 THS BLACK	4
-	1402052	NUT CARRIAGE #8-32	4
2	1472228	SHAFT - DOOR PIVOT (157, 257, 464), (497)	1
	1482002	SHAFT - DOOR PIVOT (158, 258, 475, 484, 487), (485, 486, 493)	1
3	1472272	ACTUATOR - DELIVERY DOOR - L.H. (157, 257, 464), (497)	1
	1482252	ACTUATOR - DELIVERY DOOR - L.H. (158, 258, 475, 484, 487), (485, 486, 493)	
-	1170206	SCREW - #8-32 X 3/8 THS BLACK	2
-	1412046	8-32 NUT MF 23TW832 BLOX	2
4	1472137	DOOR - DELIVERY - GRAY (157, 257, 464), (497)	1
	1582024	DOOR - DELIVERY - GRAY (158, 258, 475, 484, 487), (485, 486, 493)	
5	4402017	ACTUATOR ASSEMBLY	1
-	9900146	RETAINING RING E TYPE .312	2
-	9900171	WASHER BRASS 9/16 X.315 X.040	2
6	1472145	ACTUATOR - REAR PIVOT	2
-	1170206	SCREW - #8-32X3/8 THS BLACK	1
-	9900202	SCREW - #8-32 X 5/8 PHS W/LKW	1
-	2204093	WASHER - SCAVENGER BAR	1
7	4972143	FILLER - L.H. (497)	
8	1472108	LINER - DOOR - PILFERAGE (157, 257, 464), (497)	1
	1482163	LINER - DOOR - PILFERAGE (158, 258, 475, 484, 487), (485, 486, 493)	
-	7207019	SCREW - #8-18 X 3/8 PHS TAPPING	6
9	1472069	BRACKET - DOOR PIVOT - L.H.	1
-	1170206	SCREW - #8-32 X 3/8 THS BLACK	1
-	9900081	NUT - #8-32 KEPS ZINC PLATE	1
10	1572169	DEFLECTOR - COMMON - LARGE SNACK (157, 257, 464)	1
	1602014	DEFLECTOR - L.H. - SMALL SNACK (158, 258, 475, 484, 487)	
	4852044	DEFLECTOR - PRODUCT - L.H. (485, 486, 493)	
	4972147	DEFLECTOR - LEFT HAND (497)	
-	1170206	SCREW - #8-32 X 3/8 THS BLACK	2
-	9900081	NUT - #8-32 KEPS ZINC PLATE	2
11	1412023	FILLER - LEFT (157, 257, 464), (497)	1
	1602034	FILLER - LEFT (158, 258, 475, 484, 487), (485, 486, 493)	
-	1306140	8-32X3/8 CARR BOLT BLK/OX	3



497p0042

Figure 47. Delivery Pan Assembly



Snack / Refreshment Center 2 Parts Manual

TABLE 47. DELIVERY PAN ASSEMBLY (CONTINUED)			
INDEX	PART NUMBER	DESCRIPTION	QTY.
-	9900081	NUT #8-32 KEPS ZINC PLATE	3
12	1472288	WELD ASSY-DELIVERY PAN (157, 257, 464), (497)	1
	1602038	WELD ASSY-DELIVERY PAN (158, 258, 475, 484, 487), (485, 486, 493)	
13	1472138	ASSEMBLY - REAR DELIVERY DOOR (157, 257, 464), (497)	1
	1482171	ASSEMBLY - REAR DELIVERY DOOR (158, 258, 475, 484, 487), (485, 486, 493)	
14	1472082	FILLER - DELIVERY PAN (157, 257, 464)	1
	1482159	FILLER - LEFT - GRAY (158, 258, 475, 484, 487), (485, 486, 493)	
	1472082	FILLER - DELIVERY PAN (FLAP DOOR WITHOUT GUM AND MINT) (497)	
	1472427	FILLER - UPPER REAR LONG (ROTARY DOOR WITHOUT GUM AND MINT) (497)	
-	1451097	SCREW - #8-32 X .31 HEX HD.TF - BLK.	4
-	3108030	ACORN NUT	2
15	1472087	WASHER - .38 I.D. X .56 O.D	2
16	1472083	SPACER	2
17	4042556	CANOE CLIP	2
18	4972144	BRACKET - ENDPLATE - COMMON (497) (SEE FIGURE 48 FOR DETAILS)	2
19	2342110	BRACKET - SPRING	1
20	1472068	BRACKET - DOOR PIVOT-R.H.	1
-	1170206	SCREW - #8-32 X 3/8 THS BLACK	1
-	9900081	NUT - #8-32 KEPS ZINC PLATE	1
21	4246044	SPRING - ELEVATOR GUIDE ARM	1
22	4972142	FILLER - R.H. ((SEE FIGURE 48 FOR DETAILS)) (497)	
23	1572029	DEFLECTOR - PRODUCT - R.H. (157, 257, 464), (158, 258, 475, 484, 487), (485, 486, 493)	1
	4972146	DEFLECTOR - PRODUCT - OUTSIDE - R.H. (497)	
-	1170206	SCREW - #8-32 X 3/8 THS BLACK	2
-	9900081	NUT - #8-32 KEPS ZINC PLATE	2
24	1412022	FILLER - RIGHT - BLACK (SEE FIGURE 48 FOR DETAILS)	1
-	1306140	8-32 X 3/8 CARR BOLT BLK/OX	3
-	9900081	NUT - #8-32 KEPS ZINC PLATE	3
25	1472200	PAN - DELIVERY - FRONT - BLACK (157, 257, 464), (497)	1
	1482187	PAN - DELIVERY - FRONT - BLACK (158, 258, 475, 484, 487), (485, 486, 493)	
-	1306140	8-32 X 3/8 CARR BOLT BLK/OX (157, 257, 464), (497)	5
		8-32 X 3/8 CARR BOLT BLK/OX (158, 258, 475, 484, 487), (485, 486, 493)	4
-	9900081	NUT #8-32 KEPS ZINC PLATE (157, 257, 464), (497)	5
		NUT #8-32 KEPS ZINC PLATE (158, 258, 475, 484, 487), (485, 486, 493)	4

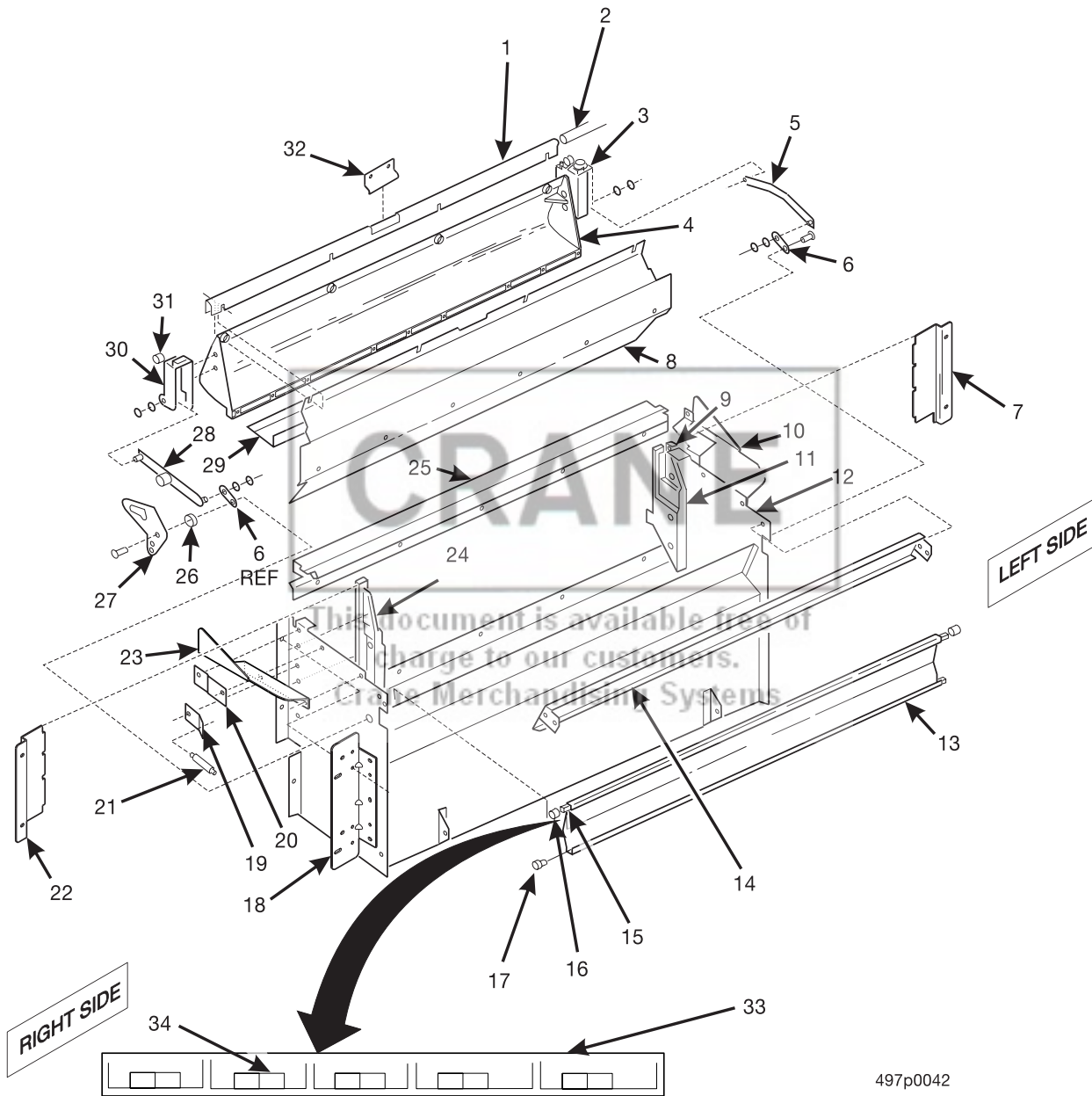


Figure 47. Delivery Pan Assembly

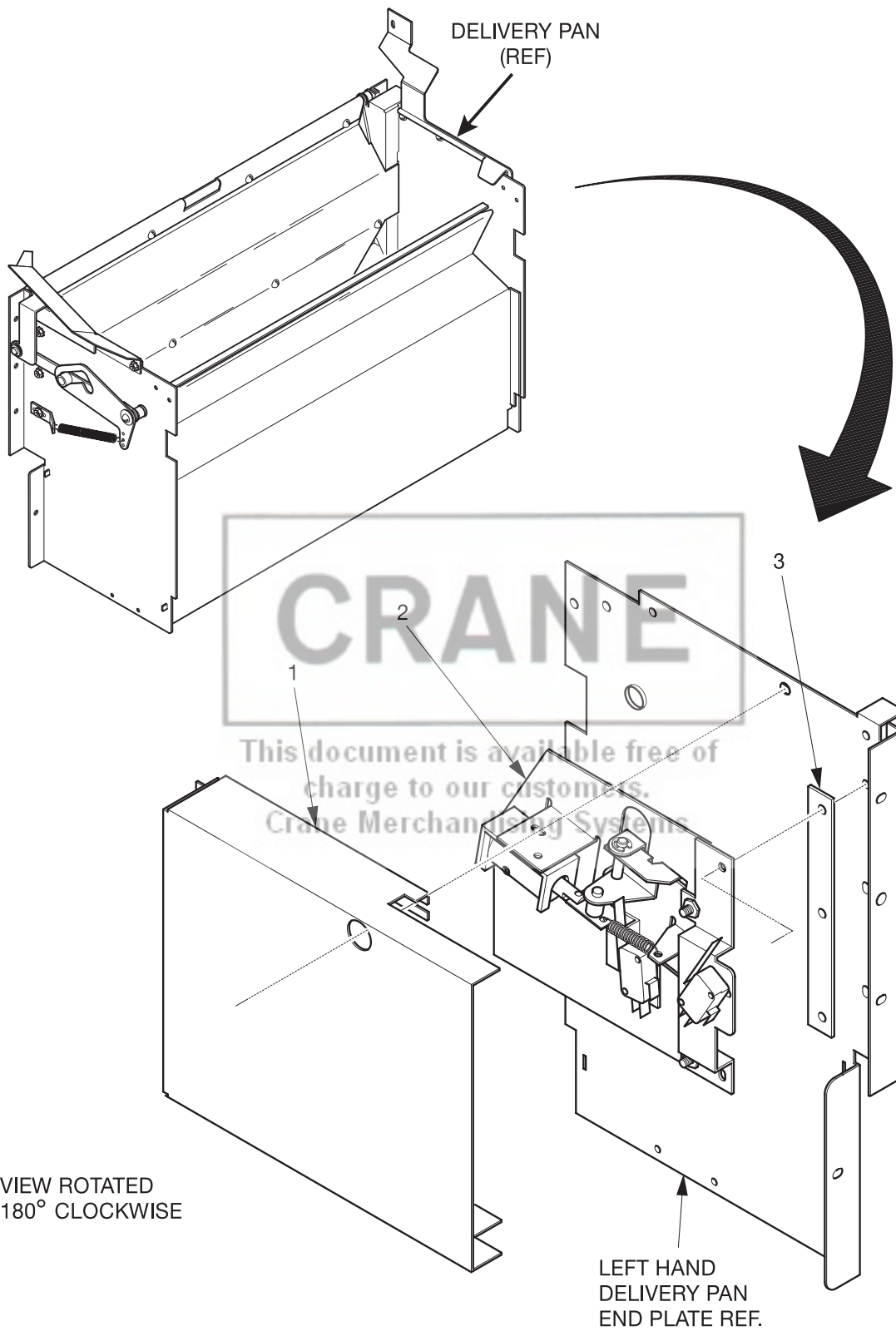


Snack / Refreshment Center 2 Parts Manual

TABLE 47. DELIVERY PAN ASSEMBLY (CONTINUED)

INDEX	PART NUMBER	DESCRIPTION	QTY.
26	2342109	BUSHING - DELIVERY - LINKAGE	1
27	4402016	PLATE - DOOR RETENTION	1
28	1472156	ACTUATOR ASSEMBLY - RIGHT	1
-	9900146	RETAINING RING E TYPE .312	2
-	9900171	WASHER BRASS 9/16 X.315 X.040	2
29	1412047	ANGLE - DELIVERY DOOR (157, 257, 464), (497)	1
	1462073	ANGLE - DELIVERY DOOR (158, 258, 475, 484, 487), (485, 486, 493)	
30	1472271	ACTUATOR - DELIVERY DOOR - R.H. (157, 257, 464), (497)	1
	1482251	ACTUATOR - DELIVERY DOOR - R.H. (158, 258, 475, 484, 487), (485, 486, 493)	
-	1170206	SCREW - #8-32 X 3/8 THS BLACK	2
-	1412046	8-32 NUT MF 23TW832 BLOX	2
31	1472219	SPACER	2
32	1472142	RETAINER - DOOR PIVOT (497)	
33	1472088	LABEL - GUM & MINT SELECTIONS (157, 257, 464), (158, 258, 475, 484, 487), (485, 486, 493)	1
	1472430	LABEL - GUM & MINT (497)	
34	1472105	PRICE LABELS - GUM & MINT (\$ AND ¢)	1
-	1472435	PAD - DELIVERY PAN (NOT SHOWN)	-

This document is available free of charge to our customers.
Crane Merchandising Systems



497p0082

Figure 48. Delivery Pan Latch Mechanism - Part 1 of 3 (Food Module Equipped Machines Only)



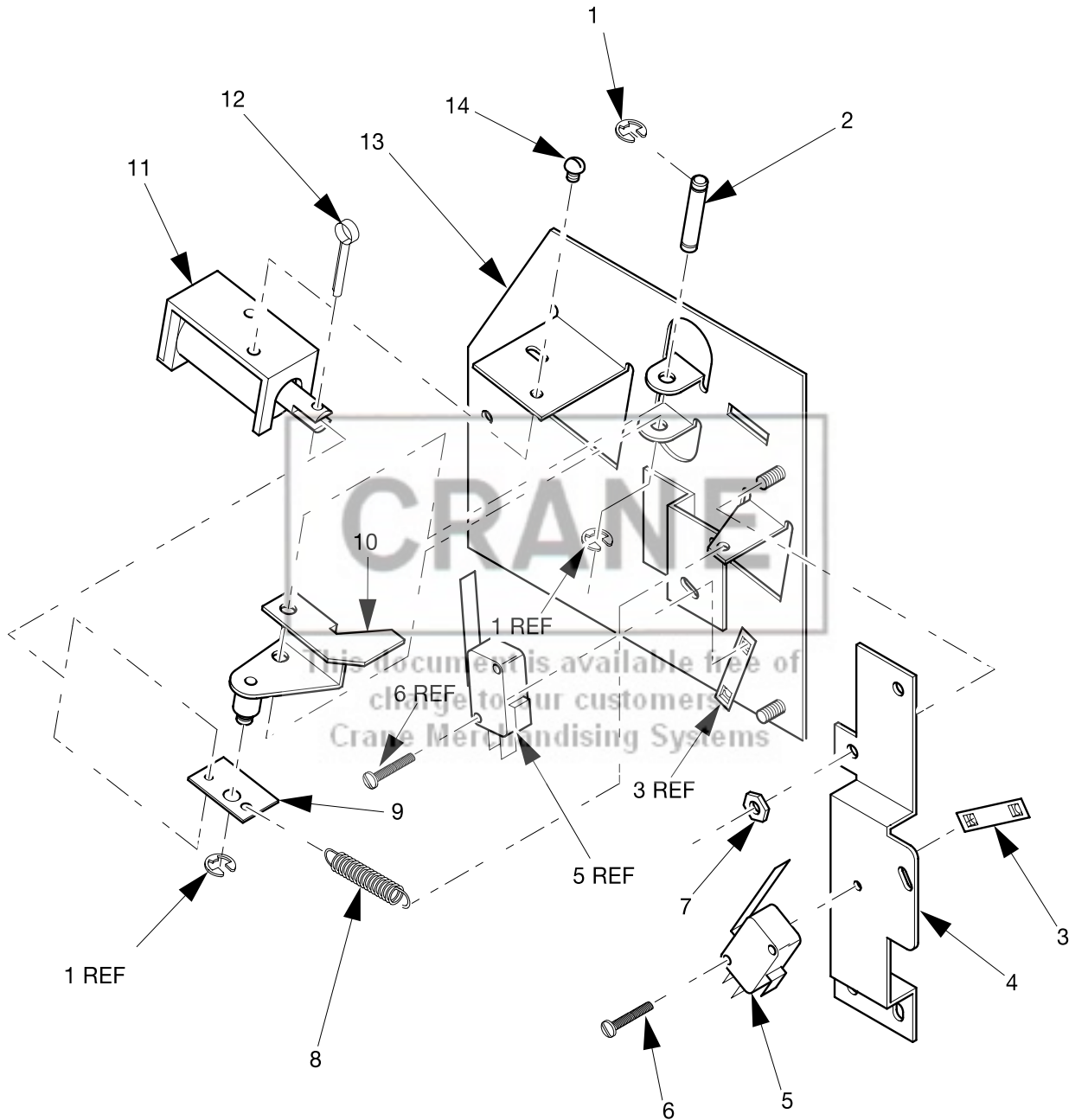
Snack / Refreshment Center 2 Parts Manual

TABLE 48. DELIVERY PAN LATCH MECHANISM - PART 1 OF 3 (FOOD MODULE EQUIPPED MACHINES ONLY)

INDEX	PART NUMBER	DESCRIPTION	QTY.
1	402027	COVER - LATCH MECHANISM	1
2	-	DELIVERY PAN SOLENOID LOCK ASSEMBLY (SEE FIGURE 49 FOR DETAILS)	OPT.
3	1572265	SPACER - SOLENOID LOCK	1

CRANE

This document is available free of charge to our customers.
Crane Merchandising Systems



467p0008

Figure 49. Delivery Pan Latch Mechanism - Part 2 of 3 (Food Module Equipped Machines Only)



Snack / Refreshment Center 2 Parts Manual

TABLE 49. DELIVERY PAN LATCH MECHANISM - PART 2 OF 3 (FOOD MODULE EQUIPPED MACHINES ONLY)

INDEX	PART NUMBER	DESCRIPTION	QTY.
1	9900418	RETAINING RING - REINF "E" TYPE - .187	3
2	4402022	PIN - LATCH	1
3	4302316	FASTENER - TWIN TYPE	2
4	1572264	BRACKET - SWITCH MOUNTING	1
5	4302319	SWITCH - LEVER - 1 7/8	2
6	1217160	4-40 X 5/8 RMS M SCREW Z/Y	4
7	9900081	NUT - #8-32 KEPS Z/P	2
8	1127808	SPRING - SHELF RESET	1
9	4402047	LINK - SOLENOID	1
10	4402023	LATCH AND STUD ASSEMBLY	1
11	4252030	SOLENOID - 24 VDC	1
12	9900098	COTTER PIN - 3/32 X 3/4 INCH	1
13	1572266	PLATE AND BRACKET ASSEMBLY	1
14	9900090	SCREW - #6-32 X 3/16 RHS W/LKW	2

CRANE

This document is available free of
charge to our customers.
Crane Merchandising Systems



TABLE 50. FLAP DELIVERY PAN ASSEMBLY (PART 3 OF 3) - FOOD AND CAN OPTIONS

INDEX	PART NUMBER	DESCRIPTION	QTY.
1	1412022	FILLER RIGHT	1
2	4972144	BRACKET - ENDPLATE - COMMON	1
3	4972142	FILLER - R.H.	1

RIGHT HAND SIDE IS SHOWN -
LEFT SIDE IS SIMILAR

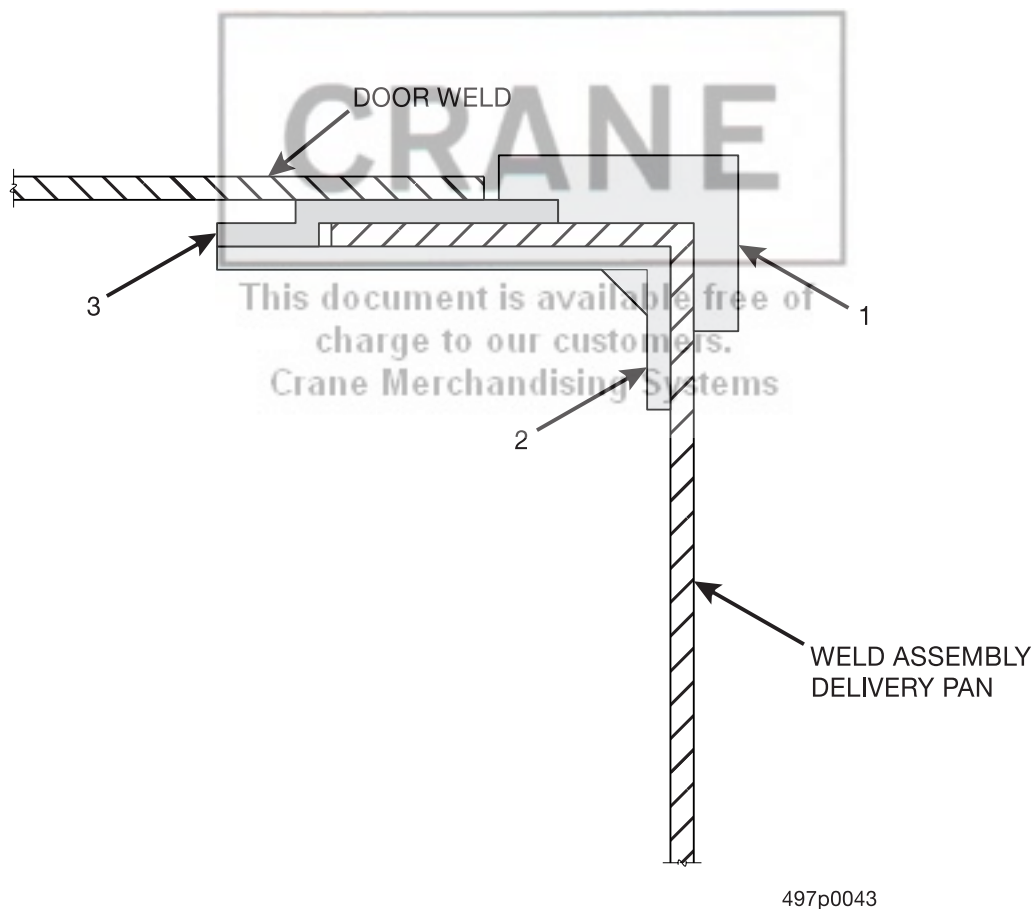


Figure 50. Flap Delivery Pan Assembly (Part 3 of 3) - Food and Can Options

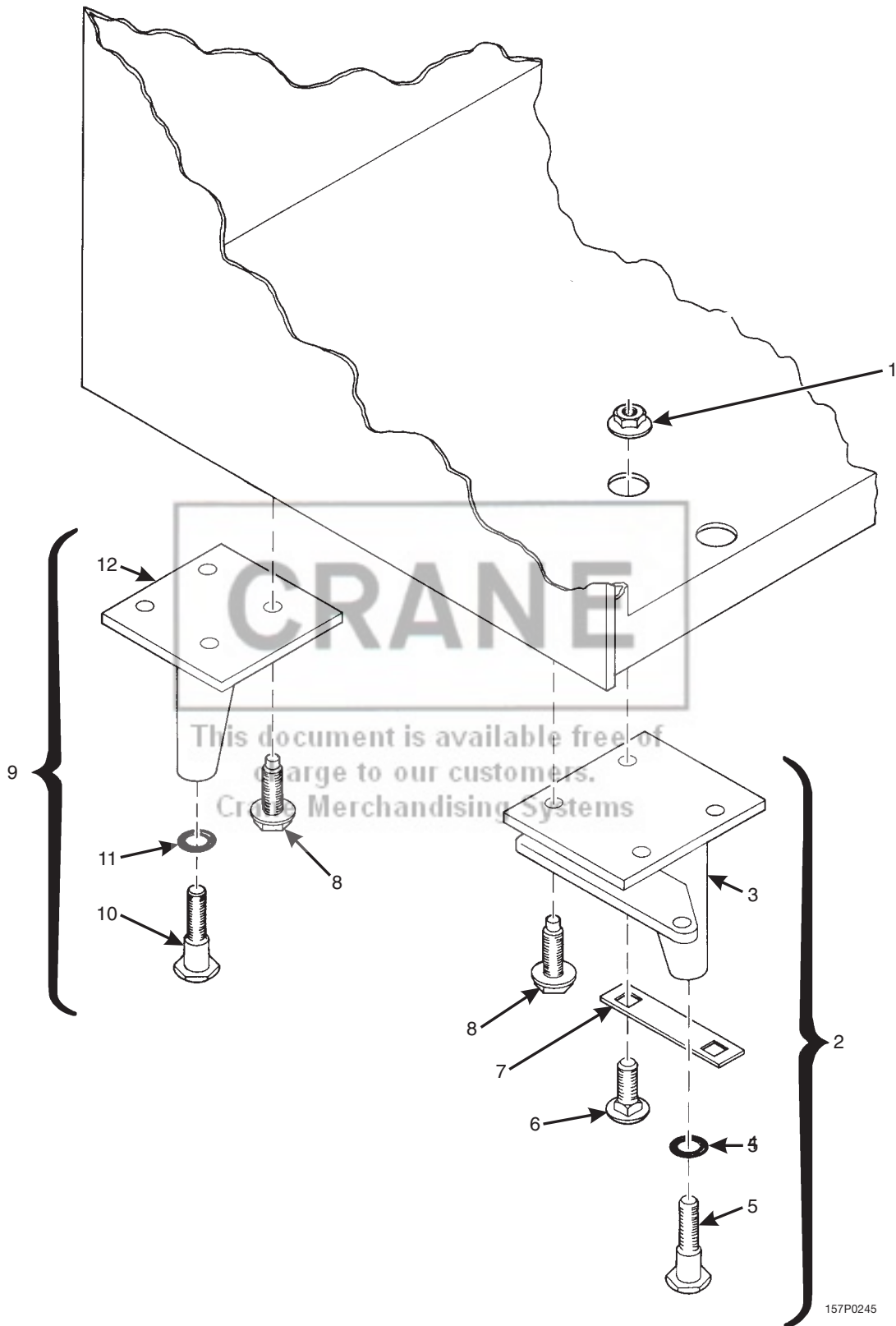


Figure 51. Leg, Leveler, and Leg and Hinge Assemblies



CRANE

This document is available free of
charge to our customers.
Crane Merchandising Systems



Snack / Refreshment Center 2 Parts Manual

TABLE 51. LEG, LEVELER, AND LEG AND HINGE ASSEMBLIES

INDEX	PART NUMBER	DESCRIPTION	QTY
1	1172021	NUT - 1/4-20 WHIZ - LOCK	2
2	6231163	LEG, HINGE, AND LEVELER ASSEMBLY (INCLUDES INDEX NUMBERS 4 - 6)	1
3	1571115	LEG AND HINGE ASSEMBLY	1
4	1471283	"O" RING - .49 ID X .10 DIA.	1
5	1471098	LEVELER - CABINET	1
6	1211112	TRAY BOLT	2
7	6231203	PLATE - HINGE LEG BOLT	1
8	1451093	5/16 - 18 X 1.00 HW TAPTITE	14
9	1471237	LEG AND LEVELER ASSEMBLY - CABINET (INCLUDES INDEX NUMBERS 11 - 13)	3
10	1471098	LEVELER - CABINET	1
11	1471283	"O" RING - .49 ID X .10 DIA.	1
12	1571127	LEG ASSEMBLY - CABINET	1

CRANE

This document is available free of charge to our customers.
Crane Merchandising Systems



**TABLE 52. BAG ASSEMBLY B1570006
(USED ON MODEL 157, 158 - DOMESTIC)**

PART NUMBER	DESCRIPTION	QTY
1472105	PRICE TAGS - GUM & MINT	1
1477015	ROLL - PRICE DOLLARS	2
1477071	PACKAGE ASSEMBLY - PRODUCT PUSHER (10 EA.)	1
1477083	RETAINER - SPIRAL - WALL	10
1570064	LIST - BAG ASSEMBLY B1570006 - CONTENT	1
1570071	DOCUMENTATION PACKAGE	1
1570086	WIRING DIAGRAM PKG - 115V DOM.	1
1577009	LABEL - ITEM LETTERS - A0 - A9	1
1577010	LABEL - ITEM LETTERS - B0 - B9	1
1577011	LABEL - ITEM LETTERS - C0 - C9	1
1577012	LABEL - ITEM LETTERS - D0 - D9	1
1577013	LABEL - ITEM LETTERS - E0 - E9	1
1577014	LABEL - ITEM LETTERS - F0 - F9	1

**TABLE 53. BAG ASSEMBLY B1570007
(USED ON MODELS 157/158 - UNITED KINGDOM)**

PART NUMBER	DESCRIPTION	QTY
1472273	PRICE ROLL - UK - 1L/10L, 40P/95P	5
1472274	PRICE ROLL - UK - 1L/10L, 8P/35P	40
1477071	PACKAGE ASSEMBLY - PRODUCT PUSHER (10 EA.) (ONLY IF MACHINE IS EQUIPPED WITH CANDY TRAY)	1
1477083	RETAINER - SPIRAL - WALL	10
1570071	DOCUMENTATION PACKAGE	1
1570063	LIST - BAG ASSEMBLY B1570007 - CONTENT	1
1570084	WIRING DIAGRAM PACKAGE - 220/240V EXEC	1
1572205	ROLL - PRICE - UK - 36P TO 62P + FREE	10
1572206	ROLL - PRICE - UK - 63P TO 90P	5
1577023	LABEL - ITEM LETTERS - A0 - A9 - U.K.	1
1577024	LABEL - ITEM LETTERS - B0 - B9 - U.K.	1
1577025	LABEL - ITEM LETTERS - C0 - C9 - U.K.	1
1577026	LABEL - ITEM LETTERS - D0 - D9 - U.K.	1
1577027	LABEL - ITEM LETTERS - E0 - E9 - U.K.	1
1577028	LABEL - ITEM LETTERS - F0 - F9 - U.K.	1
1577029	LABEL - ITEM LETTERS - G0 - G9 - U.K.	1



Snack / Refreshment Center 2 Parts Manual

**TABLE 54. BAG ASSEMBLY B1570003
(USED ON MODELS 157/158 - FRENCH & GERMAN)**

PART NUMBER	DESCRIPTION	QTY
1477071	PACKAGE ASSEMBLY - PRODUCT PUSHER (ONLY IF MACHINE IS EQUIPPED WITH CANDY TRAY)	-
1477083	RETAINER - SPIRAL WALL	10
1477123	PRICE ROLL - 0 TO 25 - U.K., GER, FR)	40
1570067	LIST - BAG ASSY B1570003 - CONTENT	1
1570071	DOCUMENTATION PKG.	1
1570084	W.D. PKG. - 220/240V EXEC	1
1577009	LABEL - ITEM LETTERS - A0 - A9	1
1577010	LABEL - ITEM LETTERS - B0 - B9	1
1577011	LABEL - ITEM LETTERS - C0 - C9	1
1577012	LABEL - ITEM LETTERS - D0 - D9	1
1577013	LABEL - ITEM LETTERS - E0 - E9	1
1577014	LABEL - ITEM LETTERS - F0 - F9	1

**TABLE 55. BAG ASSEMBLY B2570002 - DOMESTIC
(USED ON MODEL 257, 258)**

PART NUMBER	DESCRIPTION	QTY
1472105	PRICE TAGS - GUM & MINT	1
1477015	ROLL - PRICE DOLLARS	2
1477071	PACKAGE ASSEMBLY - PRODUCT PUSHER	-
1477083	RETAINER - SPIRAL WALL	10
1570071	DOCUMENTATION PACKAGE	1
1570086	WIRING DIAGRAM PKG - 115V DOM.	1
1577009	LABEL - ITEM LETTERS - A0-A9	1
1577010	LABEL - ITEM LETTERS - B0-B9	1
1577011	LABEL - ITEM LETTERS - C0-C9	1
1577012	LABEL - ITEM LETTERS - D0-D9	1
1577013	LABEL - ITEM LETTERS - E0-E9	1
1577014	LABEL - ITEM LETTERS - F0-F9	1
2570006	LIST - BAG ASSY B2570002 - CONTENT	1



**TABLE 56. BAG ASSEMBLY B4640004 - DOMESTIC
(USED ON MODELS 464, 465)**

PART NUMBER	DESCRIPTION	QTY
1477015	ROLL - PRICE DOLLARS	1
1477083	RETAINER - SPIRAL - WALL	10
1570071	DOCUMENTATION PACKAGE	1
1577009	LABEL - ITEM LETTERS - A0 - A9	1
1570010	LABEL - ITEM LETTERS - B0 - B9	1
1570011	LABEL - ITEM LETTERS - C0 - C9	1
1570012	LABEL - ITEM LETTERS - D0 - D9	1
1570013	LABEL - ITEM LETTERS - E0 - E9	1
1570014	LABEL - ITEM LETTERS - F0 - F9	1
4612001	DECAL - "CHILLED FOR FRESHNESS"	1
4640026	LIST - BAG ASSY B4640004 - CONTENT	1
4640037	WD PACKAGE - 115V - CHILLED - DOM	1

**TABLE 57. BAG ASSEMBLY B4640002
(USED ON MODEL 464, 465 - UNITED KINGDOM ONLY)**

PART NUMBER	DESCRIPTION	QTY
1472273	PRICE ROLL - UK - 1L/10L, 40P/95P	5
1472274	PRICE ROLL - UK - 1L/10L, 8P/35P	40
1477071	PACKAGE ASSEMBLY - PRODUCT PUSHER (10 EA.)	1
1477083	RETAINER - SPIRAL - WALL	10
1570071	DOCUMENTATION PACKAGE	1
1572205	ROLL - PRICE - UK - 36P TO 62P	10
1572206	ROLL - PRICE - UK - 63P TO 90P	5
1577023	LABEL - ITEM LETTERS A0 - A9	1
1577024	LABEL - ITEM LETTERS B0 - B9	1
1577025	LABEL - ITEM LETTERS C0 - C9	1
1577026	LABEL - ITEM LETTERS D0 - D9	1
1577027	LABEL - ITEM LETTERS E0 - E9	1
1577028	LABEL - ITEM LETTERS F0 - F9	1
1577029	LABEL - ITEM LETTERS G0 - G9	1
4612001	DECAL - "CHILLED FOR FRESHNESS"	1
4640024	LIST - BAG ASSY B4640002 - CONTENTS	1
4640035	WIRING DIAGRAM PACKAGE - 220/240V - CHILLED	1



Snack / Refreshment Center 2 Parts Manual

TABLE 58. BAG ASSEMBLY B4640000
(USED ON MODELS 464, 465 - FRENCH AND GERMAN)

PART NUMBER	DESCRIPTION	QTY
1477071	PACKAGE ASSY - PRODUCT PUSHER (10 EA.)	1
1477083	RETAINER - SPIRAL - WALL	10
1477123	PRICE ROLL - 0 TO 25	42
1570071	DOCUMENTATION PACKAGE	1
1577016	LABEL - ITEM LETTERS A0 - A9	1
1577017	LABEL - ITEM LETTERS B0 - B9	1
1577018	LABEL - ITEM LETTERS C0 - C9	1
1577019	LABEL - ITEM LETTERS D0 - D9	1
1577020	LABEL - ITEM LETTERS E0 - E9	1
1577021	LABEL - ITEM LETTERS F0 - F9	1
1577022	LABEL - ITEM LETTERS G0 - G9	1
4640022	LIST - BAG ASSY B4640000 - CONTENT	1
4640035	WIRING DIAGRAM PKG - 220/240V - CHILLED	1

CRANE

This document is available free of
charge to our customers.
Crane Merchandising Systems



**TABLE 59. BAG ASSEMBLY B4840007
(USED ON MODEL 484 WITH CAN DRINK OPTION - 110V)**

PART NUMBER	DESCRIPTION	QTY
1477015	ROLL - PRICE - DOLLARS	12
1477071	PACKAGE ASSY - PRODUCT PUSHER (10 EA.)	1
1477083	RETAINER - SPIRAL - WALL	10
1577009	LABEL - ITEM LETTERS - A0 - A9	1
1577010	LABEL - ITEM LETTERS - B0 - B9	1
1577011	LABEL - ITEM LETTERS - C0 - C9	1
1577012	LABEL - ITEM LETTERS - D0 - D9	1
1577013	LABEL - ITEM LETTERS - E0 - E9	1
1577014	LABEL - ITEM LETTERS - F0 - F9	1
4747091	FLAVOR STRIPS - 10 (INCLUDES 10 STYLE C4 FLAVOR STRIPS)	1
4747097	PROD. ID LBL/FLAVOR STRIP INSTR.	1
4840040	DOCUMENTATION PACKAGE	1
4840048	LIST - BAG ASSY B4840007 - CONTENT	1
4840054	WIRING DIAGRAM PACKAGE - 115V - DOM-CAN	1

CRANE

This document is available free of
charge to our customers.
Crane Merchandising Systems



Snack / Refreshment Center 2 Parts Manual

TABLE 60. BAG ASSEMBLY B4840006
(USED ON MODEL 484 WITH REFRIGERATED/FROZEN FOOD OPTION - 110V)

PART NUMBER	DESCRIPTION	QTY
1477015	ROLL - PRICE DOLLARS	11
1477083	RETAINER - SPIRAL - WALL	10
1577009	LABEL - ITEM LETTERS - A0-A9	1
1577010	LABEL - ITEM LETTERS - B0-B9	1
1577011	LABEL - ITEM LETTERS - C0-C9	1
1577012	LABEL - ITEM LETTERS - D0-D9	1
1577013	LABEL - ITEM LETTERS - E0-E9	1
1577014	LABEL - ITEM LETTERS - F0-F9	1
4407728	LABEL - SOLD OUT	1
4407732	ADAPTOR ASSY - BOXED ITEM (INCLUDES NEXT 5 ITEMS)	1
4407729	ROLLER & SHAFT ASSY - PUSHER	1
2366055	SPEED CLIP COMPRESSION RING	1
4407730	ROLLER - PUSHER MODULE	2
4407731	SHAFT - PUSHER MODULE	2
4407733	INSTR. - ADAPTOR - BOXED ITEM	1
4612001	DECAL - "CHILLED FOR FRESHNESS"	1
4840040	DOCUMENTATION PACKAGE	1
4840047	LIST - BAG ASSY B4840006 - CONTENT	1
4840055	WD PACKAGE - 115V - DOM - FOOD	1

This document is available free of
charge to our customers.
Crane Merchandising Systems



**TABLE 61. BAG ASSEMBLY B4870000
(USED ON MODEL 487/W CAN DRINK OPTION - UNITED KINGDOM)**

PART NUMBER	DESCRIPTION	QTY
1472273	PRICE ROLL - UK - IL/10L, 40P/95P	5
1472274	PRICE ROLL - UK - 1L/10L, 8P/35P	32
1477071	PACKAGE ASSEMBLY - PRODUCT PUSHER (10 EA.)	1
1477083	RETAINER - SPIRAL - WALL	10
1572205	ROLL - PRICE - UK - 36P TO 62P + FREE	10
1572206	ROLL - PRICE - UK - 63P TO 90P	5
1577023	LABEL - ITEM LETTERS - A0 - A9 - U.K.	1
1577024	LABEL - ITEM LETTERS - B0 - B9 - U.K.	1
1577025	LABEL - ITEM LETTERS - C0 - C9 - U.K.	1
1577026	LABEL - ITEM LETTERS - D0 - D9 - U.K.	1
1577027	LABEL - ITEM LETTERS - E0 - E9 - U.K.	1
1577028	LABEL - ITEM LETTERS - F0 - F9 - U.K.	1
4612001	DECAL "CHILLED FOR FRESHNESS"	1
4747091	FLAVOR STRIPS - 10	1
4747097	PROD. ID LABEL/FLAVR STRIP INSTR.	1
4870036	LIST - BAG ASSY B4870000 - CONTENT	1
4870040	DOCUMENTATION PACKAGE	1
4870047	W.D. PACKAGE - 220/240V - EXEC - CAN	1

This document is available free of
charge to our customers.
Crane Merchandising Systems



Snack / Refreshment Center 2 Parts Manual

TABLE 62. BAG ASSEMBLY B4870007
(USED ON 487 WITH CAN DRINK OPTION - FR & GER)

PART NUMBER	DESCRIPTION	QTY
1477083	RETAINER - SPIRAL - WALL	10
1477123	PRICE ROLL - 0 - 25 - U.K./GER/FR	32
1577016	LABEL - ITEM LETTERS A0 - A9 - GER.	1
1577017	LABEL - ITEM LETTERS A0 - A9 - GER.	1
1577018	LABEL - ITEM LETTERS A0 - A9 - GER.	1
1577019	LABEL - ITEM LETTERS A0 - A9 - GER.	1
1577020	LABEL - ITEM LETTERS A0 - A9 - GER.	1
1577021	LABEL - ITEM LETTERS A0 - A9 - GER.	1
4747091	FLAVOR STRIPS - 10	1
4747072	COCA-COLA CLASSIC - STYLE C4	1
4747073	FLAVOR ID STRIP PEPSI COLA C4	1
4747074	DIET COCA-COLA - STYLE C4	1
4747075	DR. PEPPER - STYLE C4	1
4747076	DIET PEPSI-COLA - STYLE C4	1
4747077	FLAVOR ID STRIP 7-UP - STYLE C4	1
4747078	CAFFEINE FREE DIET COCA-COLA	1
4747079	A & W ROOT BEER - STYLE C4	1
4747080	SUNKIST ORANGE - STYLE C4	1
4747081	DIET SPRITE - STYLE C4	1
4747097	PROD. ID LBL / FLAVR STRIP INSTR.	1
4870040	DOCUMENTATION PACKAGE	1
4870044	LIST - BAG ASSY B4870007 - CONTENT	1
4870047	WIRING DIAGRAM PACKAGE - 220/240V - EXEC - CAN	1



**TABLE 63. BAG ASSEMBLY B4870001
(USED ON 487/W FROZEN & REFRIGERATED FOOD MODULES - UNITED KINGDOM)**

PART NUMBER	DESCRIPTION	QTY
1472273	PRICE ROLL - UK - IL/10L, 40P/95P	5
1472274	PRICE ROLL - UK - 1L/10L, 8P/35P	32
1477071	PACKAGE ASSEMBLY - PRODUCT PUSHER (10 EA.)	1
1477083	RETAINER - SPIRAL - WALL	10
1572205	ROLL - PRICE - UK - 36P TO 62P + FREE	10
1572206	ROLL - PRICE - UK - 63P TO 90 P	5
1577023	LABEL - ITEM LETTERS - A0 - A9 - U.K.	1
1577024	LABEL - ITEM LETTERS - B0 - B9 - U.K.	1
1577025	LABEL - ITEM LETTERS - C0 - C9 - U.K.	1
1577026	LABEL - ITEM LETTERS - D0 - D9 - U.K.	1
1577027	LABEL - ITEM LETTERS - E0 - E9 - U.K.	1
1577028	LABEL - ITEM LETTERS - F0 - F9 - U.K.	1
4407728	LABEL - SOLD OUT	1
4612001	DECAL - "CHILLED FOR FRESHNESS"	1
4870037	LIST - BAG ASSY B4870001 - CONTENT	1
4870040	DOCUMENTATION PACKAGE	1
4870048	WIRING DIAGRAM PACKAGE - 220/240V - EXEC - FOOD	1

This document is available free of
charge to our customers.
Crane Merchandising Systems



Snack / Refreshment Center 2 Parts Manual

TABLE 64. BAG ASSEMBLY B4870008
(USED ON 487 WITH FROZEN & REFRIGERATED FOOD MODULES - FR & GER)

PART NUMBER	DESCRIPTION	QTY
1477014	ROLL - PRICE CENTS	12
1477083	RETAINER - SPIRAL WALL	10
1477123	PRICE ROLL - 0 TO 25 - U.K./GER/FR	36
1577016	LABEL - ITEM LETTERS A0 - A9- GER.	1
1577017	LABEL - ITEM LETTERS B0 - B9- GER.	1
1577018	LABEL - ITEM LETTERS C0 - C9- GER.	1
1577019	LABEL - ITEM LETTERS D0 - D9- GER.	1
1577020	LABEL - ITEM LETTERS E0 - E9- GER.	1
1577021	LABEL - ITEM LETTERS F0 - F9- GER.	1
4777801	LABEL - SOLD OUT - GER.	1
4777803	LABEL - SOLD OUT - FRENCH	1
4870040	DOCUMENTATION PACKAGE	1
4870045	LIST - BAG ASSY B4870008 - CONTENT	1
4870048	WIRING DIAGRAM PACKAGE - 220/240V - EXEC - FOOD	1

CRANE

This document is available free of
charge to our customers.
Crane Merchandising Systems

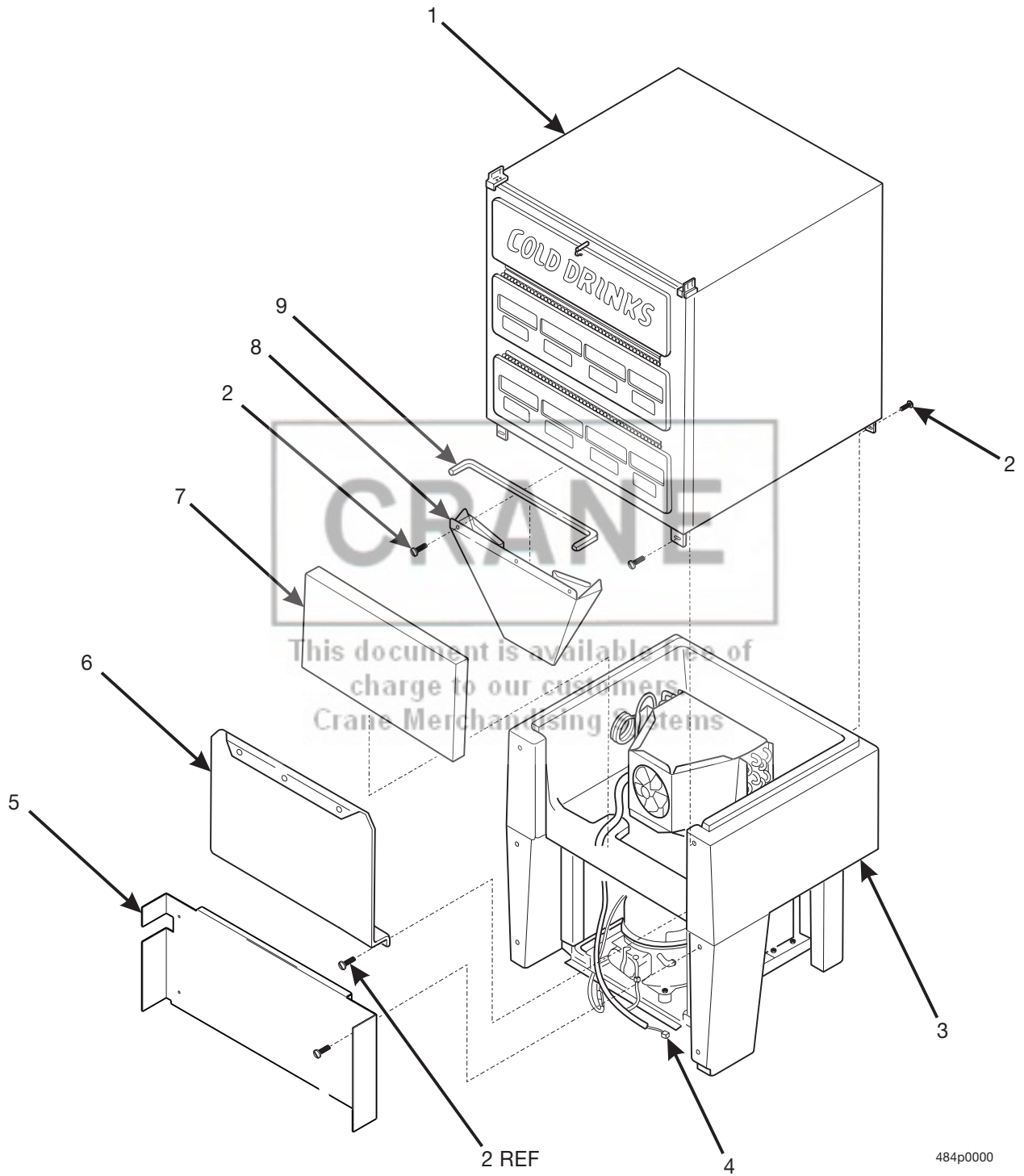


Figure 65. Can and Refrigeration Module



Snack / Refreshment Center 2 Parts Manual

TABLE 65. CAN AND REFRIGERATION MODULE

INDEX	PART NUMBER	DESCRIPTION	QTY
1	4847001	CAN MODULE ASSY - 8 SELECT (110V)	1
	4877000	CAN MODULE ASSY - 8 SELECT (220V)	
2	4727144	SCREW - #8-18 X .62 HEX HEAD	4
3	4844005	REFRIGERATION MODULE ASSEMBLY - FINAL - R134A -CAN (110V)	1
	4874049	REFRIG. MOD. - CAN - FOR. - DANFOSS (220V)	
4	4849025	HARNESS - CAN/CHILLER COMPRESSOR	1
5	1581028	COVER & SEAL ASSEMBLY - COMPRESSOR (MODEL 484) (SHOWN)	1
	4681020	COVER & SEAL ASSEMBLY - COMPRESSOR (MODEL 487) (NOT SHOWN)	
6	4744042	DOOR - RETAINER	1
7	4744027	DOOR - REFRIGERATION MODULE	1
8	4744024	DUCT ASSEMBLY - AIR DISTRIBUTION	1
9	4744028	GASKET - DUCT DISTRIBUTION	1

THE FOLLOWING IS AVAILABLE AS AN ASSEMBLY

4744023	DUCT & GASKET ASSEMBLY (INCLUDES INDEX NUMBERS 8 & 9)
---------	---

This document is available free of charge to our customers.
Crane Merchandising Systems



TABLE 66. REFRIGERATION MODULE ASSEMBLY - CAN (110V) - NO CHILL

PART NUMBER	DESCRIPTION	QTY
4844005	REFRIGERATION MODULE ASSEMBLY FINAL - R134A -CAN	1
4744045	SHROUD - EVAPORATOR FAN	1
4724124	FAN - EVAPORATOR	1
4744020	SHROUD - TOP	1
4119013	PROBE - TEMPERATURE SENSOR	1
4774013	BUSHING - OPEN/CLOSED - .38	1
4744030	PLATE - TEMPERATURE SENSOR	1
4744017	GASKET - REFRIGERATION MODULE	1
4844026	EVAPORATOR AND TUBE ASSEMBLY - TECUMSEH	1
3128063	DRAIN - WATER BATH	1
4744002	HOUSING - REFRIGERATION MODULE	1
4644008	TRIAC & SUPPORT ASSEMBLY - CAN/CHILL	1
3608149	BLADE - CONDENSER FAN FV-700CW20P	1
4043121	SILENCER - FAN - MORRIL S-5847-1	1
4744112	MOTOR - CONDENSER FAN	1
4744009	BRACKET - CONDENSER MOTOR	1
1140351	WASHER - STEEL 3/4 X .264 X .090	4
4724070	SLEEVE - 23/32" LENGTH	4
4724066	GROMMET - 11/16 HIGH	4
4844002	BASE & STUD ASSEMBLY - CONDENSER	1
4304192	LABEL - R134A - SMALL	1
4744022	PAN - CONDENSATE	1
4744108	COMPRESSOR - AZ0370Y - R134A	1
4043082	CLIP - SPEED DART STYLE	4
3608146	SHROUD - CONDENSER FAN	1
4744109	CONDENSER - W/PROCESS TUBE	1
4849025	HARNESS - CAN/CHILLER COMPRESSOR	1
2204513	WIRE TIE #PLT 1.5IM (NOT SHOWN)	1
4301152	DRAIN - CONDENSATE	1
1140351	WASHER - STEEL 3/4 X .264 X .090	2
4614107	BOLT - .250-20 X 1.75 - HEX HD.	-



Snack / Refreshment Center 2 Parts Manual

TABLE 67. REFRIGERATION MODULE ASSEMBLY - CAN (230 V) - CHILLED

PART NUMBER	DESCRIPTION	QTY
4874049	REFRIG. MOD - CAN - FOR. - DANFOSS	1
4774007	COVER - AIR DUCT	1
4874002	FAN - EVAPORATOR - 230VAC	1
4774045	MOUNTING BRACKET - FAN	1
4874043	EVAP. ASSY - SNACK/CAN - DANFOSS	1
4774003	DIVIDER WALL - AIR DUCT	1
4744069	GASKET - EVAP. FAN SHROUD	1
4844001	FAN - EVAPORATOR - 230V	1
4774004	SHROUD - EVAPORATOR FAN	1
4774046	WALL - AIR DUCT	1
4744101	HOUSING - REFRIG. MODULE	1
4644008	TRIAC & SUPPORT ASSY - CHILL/CAN	1
4644029	PAN - CONDENSATE	1
4304216	GROMMET & SLEEVE PACKAGE (4 EACH)	1
4304058	CORD - RELIEF	1
4304211	COMPRESSOR - 220V - R134A - DANFOSS	1
9988902	CAPACITOR - START - 80 MFD - 220/250V	1
4304214	RELAY - STARTING	1
4304057	COVER	1
4774105	BASE & STUD ASSEMBLY - COND.	1
4744009	BRACKET - CONDENSER MOTOR	1
4774122	MOTOR - CONDENSER FAN - 230V	1
4774026	SHROUD - CONDENSER FAN	1
4774027	BLADE - CONDENSER FAN	1
3634002	CONDENSER	1
4641074	COVER & SEAL ASSY - REFRIG. HOUSING	2
4119013	PROBE - TEMPERATURE SENSOR	1
4301152	DRAIN - CONDENSATE	1
3128063	DRAIN - WATER BATH	1
4774002	DIVIDER - EVAPORATOR	1
4744031	SEAL - .50 X .50 INCH	1
4774008	GASKET - AIR DUCT COVER	1

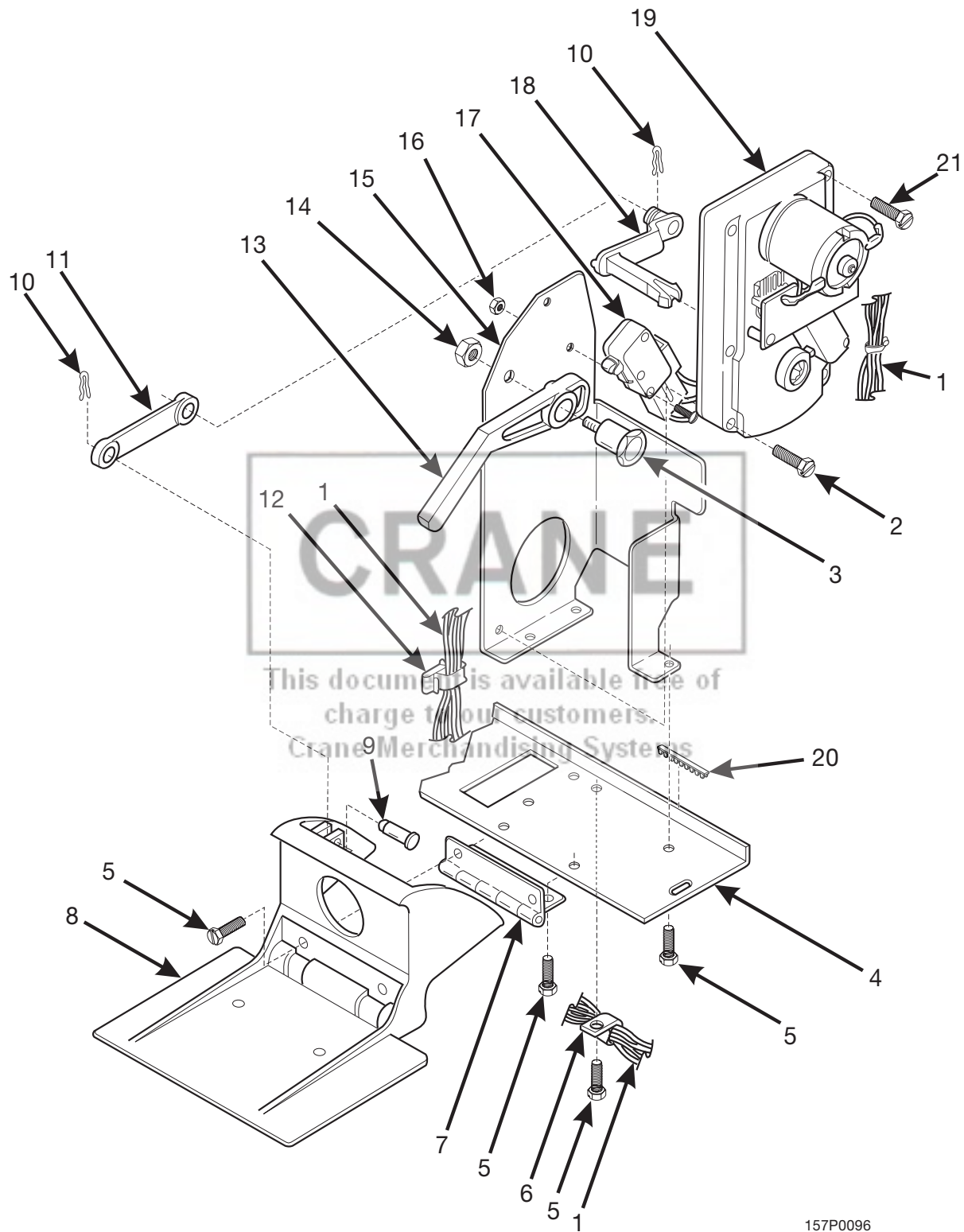


Figure 67. Motor and Ejector Mounting Channel Assembly

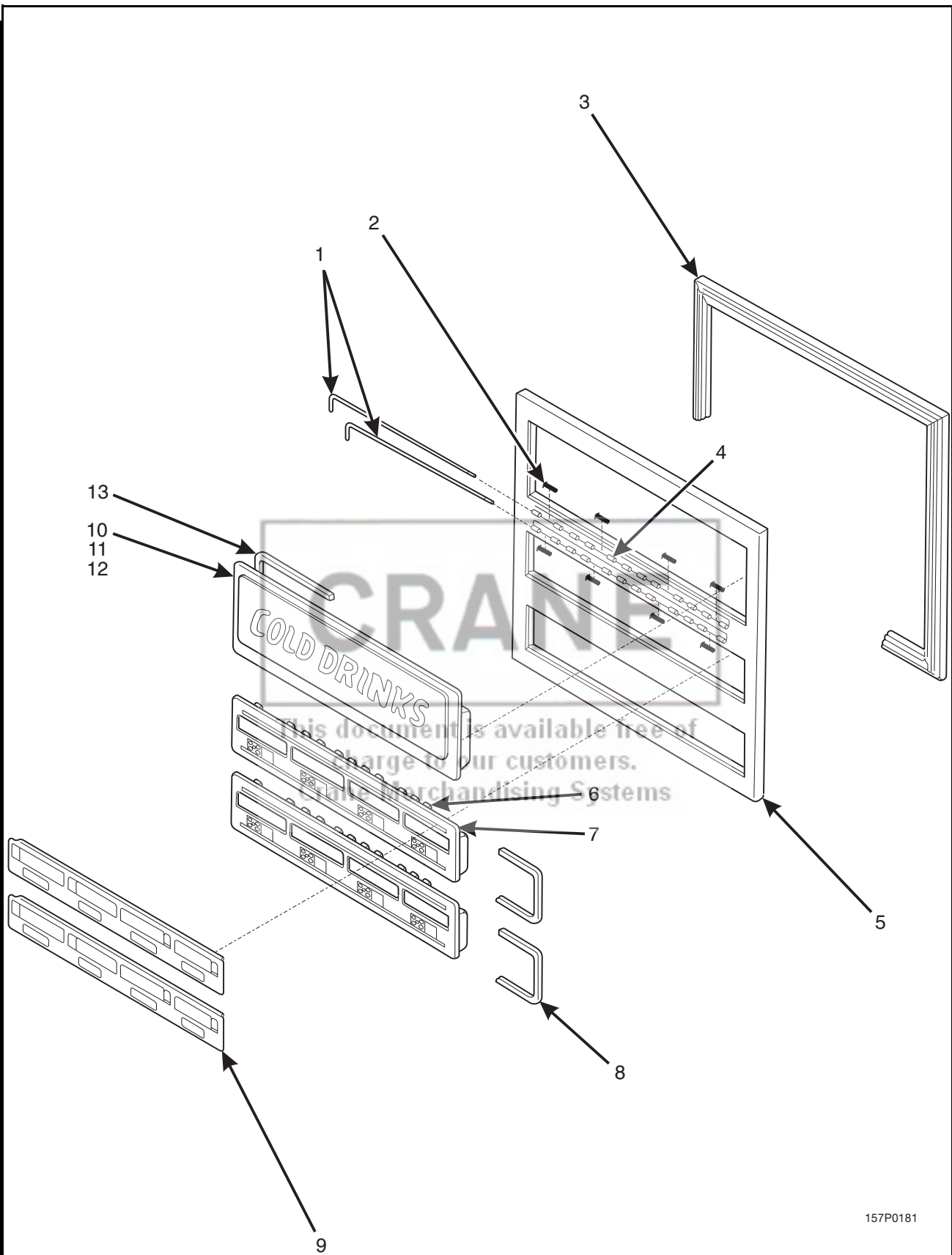


Snack / Refreshment Center 2 Parts Manual

TABLE 68. MOTOR AND EJECTOR MOUNTING CHANNEL ASSEMBLY

INDEX	PART NUMBER	DESCRIPTION	QTY
-	4847002	MOUNTING CHANNEL ASSEMBLY - MOTOR AND EJECTOR	-
1	4849028	HARNESS - CAM EJECTORS	1
2	1217160	4-40 X 5/8 RHS M SCREW Z/Y	4
3	1457099	STUD - TRAY ROLLER	4
4	4747029	CHANNEL - MOTOR AND EJECTOR MOUNTING	1
5	3157060	SCREW - #8-32 X .31 HEX W/ HD. SLOTTED - TF - ZINC	32
6	2342315	CLIP - WIRE HARNESS	8
7	4747038	HINGE - EJECTOR	1
8	4747606	CAM - EJECTOR	1
9	4747031	PIVOT PIN - EJECTOR CAM	4
10	2204092	PIN - COTTER - HAIR PIN	8
11	4747030	ARM - EJECTOR DRIVE	4
12	1212159	CLIP - WIRE	1
13	4747036	SWITCH - ACTUATOR - SOLD OUT	1
14	1407048	10-32 M/F #21TWA1032 ZP	4
15	4747034	BRACKET - MOTOR MOUNTING	1
16	1217159	4-40 KEPS W/EXT L/WAS H ZP	4
17	2366091	SWITCH - ROLLER - LEVER	1
18	4747035	CAM - EJECTOR DRIVE	1
19	1577035	PCB AND MOTOR ASSEMBLY	1

This document is available free of charge to our customers.
Crane Merchandising Systems



157P0181

Figure 68. Can Unit Frame Assembly



Snack / Refreshment Center 2 Parts Manual

TABLE 69. CAN UNIT FRAME ASSEMBLY

INDEX	PART NUMBER	DESCRIPTION	QTY
-	4747065	FRAME ASSEMBLY - 8 SELECT	-
1	4747135	PIN - HINGE	3
2	4747064	SPRING - DOOR RETURN	14
3	4747003	GASKET - FRAME - 8 SELECT	1
4	4747121	HINGE - DELIVERY DOOR	3
-	2226380	SCREW - #6-19 X .38 PHS T/C	18
-	4747128	NUT - 1.060 LONG - BLK	18
5	4747127	FRAME - CAN MODULE - 8 SEL.	1
6	4747122	HINGE - DOOR	2
-	2226380	SCREW - #6-19 X .38 PHS T/C	5
-	4747131	NUT - .343 LONG - BLK.	5
7	4747134	DOOR - DELIVERY	2
8	4747009	GASKET - DELIVERY DOOR	2
9	4747111	RETAINER - LABEL	2
-	4747128	NUT - 1.060 LONG - BLK.	8
10	4747122	HINGE - DOOR	1
-	2226380	SCREW - #6 -19 X .38 PHS T/C	5
-	4747131	NUT - .343 LONG - BLK	5
11	4747133	DOOR - LOADING	1
12	4727145	LABEL - LOADING DIAGRAM	1
13	4747014	GASKET - LOADING DOOR	1

This document is available free of charge to all customers.

Crane Merchandising Systems

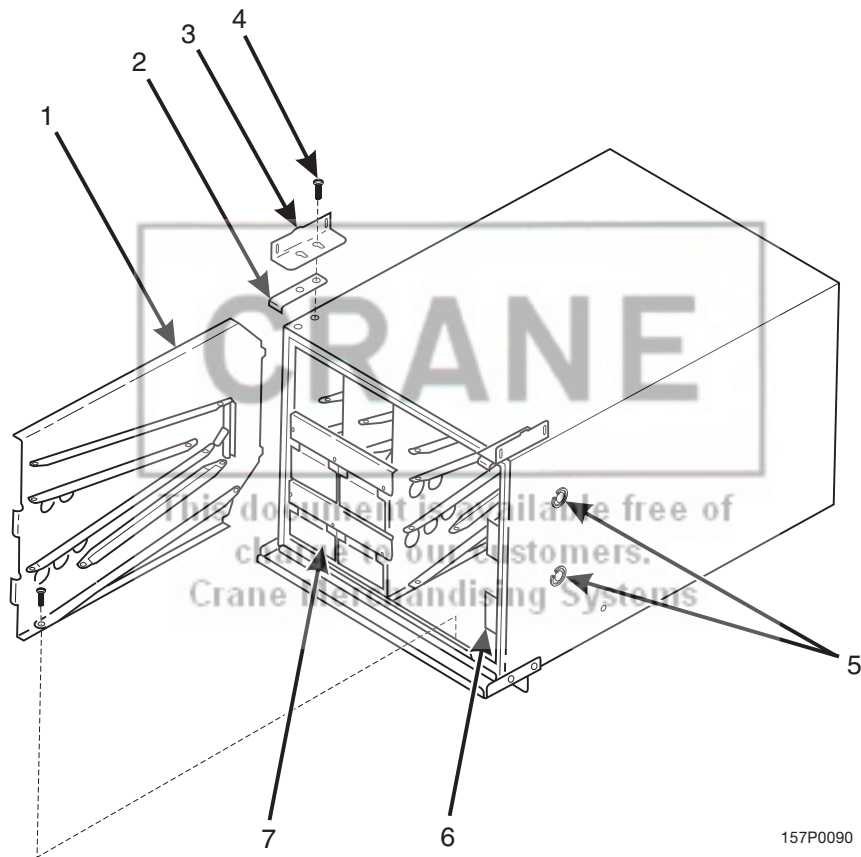


Figure 69. Can Compartment Assembly



Snack / Refreshment Center 2 Parts Manual

TABLE 70. CAN COMPARTMENT ASSEMBLY

INDEX	PART NUMBER	DESCRIPTION	QTY
-	4747000	CAN MODULE ASSEMBLY - 8 SELECT (484)	-
-	4877000	CAN MODULE ASSEMBLY - 8 SELECT (487)	-
1	4747110	DIVIDER AND RAIL ASSEMBLY	3
2	4747089	RETAINER - FRAME - UPPER	2
3	4747022	RETAINER - CAN MODULE	2
4	4727144	SCREW #8-18 X .62 HEX HEAD	4
5	4747042	BUSHING - OPEN/CLOSED	4
6	4747044	ANGLE - EJECTOR MOUNTING CHANNEL	4
-	4721035	SCREW - 8-18 X .38 LGM	8
7	4847002	MOTOR & EJECT MTG. CHANNEL ASSY. (SEE FIGURE 67 FOR DETAILS)	2

NOTES



This document is available free of charge to our customers.
Crane Merchandising Systems

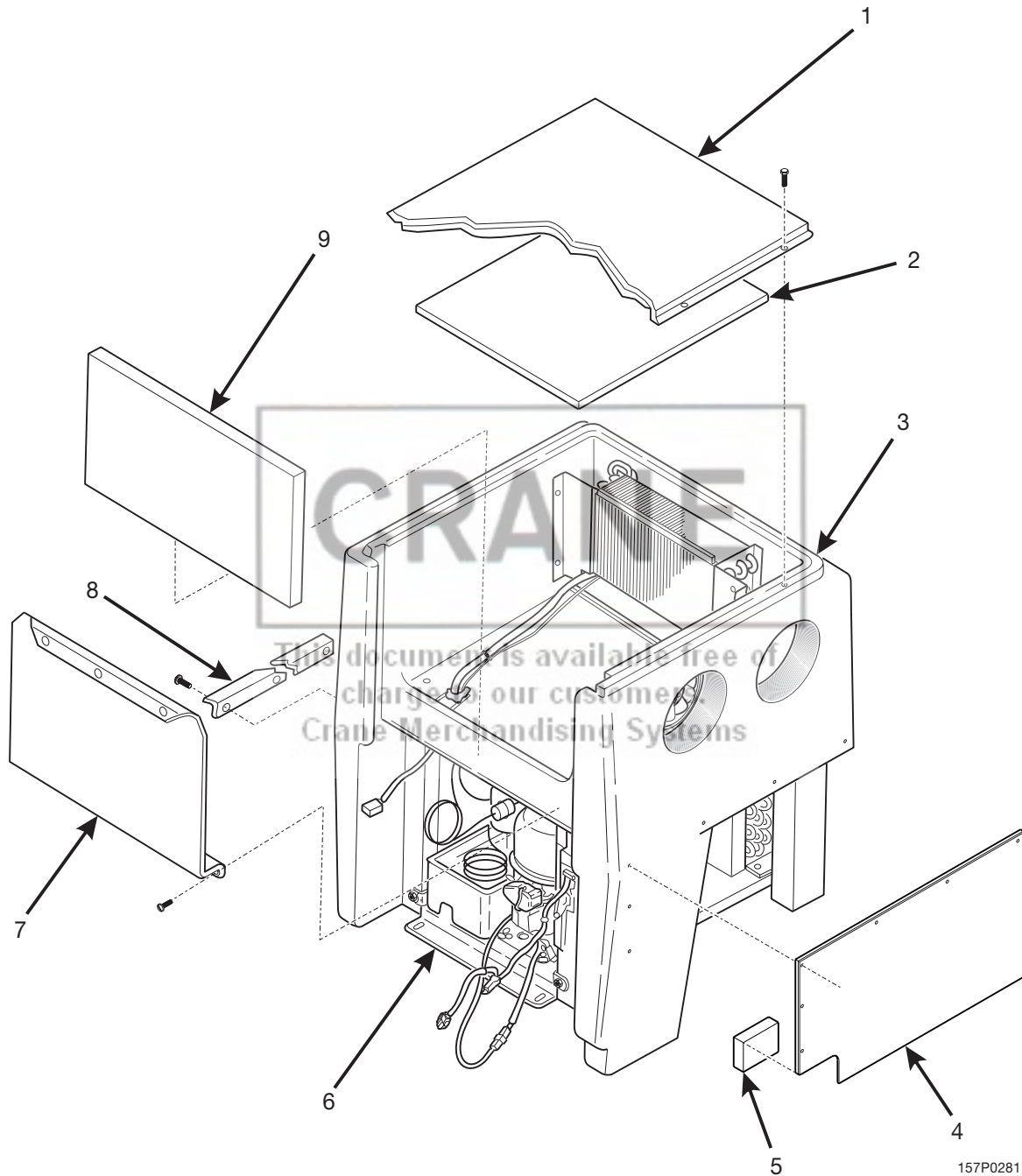


Figure 70. Refrigeration Module - Chilled Snack



Snack / Refreshment Center 2 Parts Manual

TABLE 71. REFRIGERATION MODULE - CHILLED SNACK

INDEX	PART NUMBER	DESCRIPTION	QTY
1	4614080	COVER - REFRIGERATION MODULE HOUSING	1
-	4727144	SCREW - #8-18 X .62 HEX HEAD	9
2	4614118	INSULATION - REFRIGERATION MODULE	1
3	461417	HOUSING - REFRIGERATION MODULE	1
4	4641074	COVER AND SEAL ASSEMBLY - REFRIGERATION HOUSING	2
5	4641075	GASKET - COVER - REFRIGERATION HOUSING	2
6	4644000	REFRIGERATION UNIT (110 V) (SEE TABLE 74 FOR DETAILS)	1
	4644033	REFRIGERATION UNIT - INTERNATIONAL - DANFOSS (230 V)	
7	4744042	DOOR RETAINER	1
-	4727144	SCREW - #8-18 X .62 HEX HEAD	3
8	4614047	SUPPORT - INSULATION (464 ONLY)	1
-	4727144	SCREW - #8-18 X .62 HEX HEAD	3
9	4744027	DOOR - REFRIGERATION MODULE	1

CRANE

This document is available free of
charge to our customers.
Crane Merchandising Systems



TABLE 72. REFRIGERATION UNIT - CHILLED SNACK

PART NUMBER	DESCRIPTION	QTY
4644000	REFRIGERATION UNIT (110V)	
4644033	REFRIG. UNIT - FOR. - DANFOSS (230V)	1
9984094	WIRE - GROUND - 14"	1
4614124	EVAPORATOR & TUBE ASSY (110V)	1
4644030	EVAPORATOR & TUBE ASSY - FOR. (230V)	
4614057	SEAL (EVAPORATOR TO COVER)	1
4644008	TRIAC & SUPPORT ASSY - CHILL/CAN	1
3634002	CONDENSER	1
4774027	BLADE - CONSENSER FAN	1
4304092	MOTOR - CONDENSER FAN - 110V	1
4774122	MOTOR - CONSENSER FAN - 230V	
4744009	BRACKET - CONDENSER MOTOR	1
4614079	BASE & STUD ASSY - COND. (110V UNITS)	1
4774105	BASE & STUD ASSY - COND. (FOR.) (230V UNITS)	
4644029	PAN - CONDENSATE	1
4614135	COMPRESSOR - 115V - R134A	1
4774026	SHROUD - CONDENSER FAN (110V UNITS)	1
4774111	SHROUD - CONDENSER FAN (230V UNITS)	
4301152	DRAIN - CONDENSATE (CONNECTS TO INDEX #19)	1
4614144	FAN - EVAPORATOR - AXIAL (110V)	1
4314054	FAN - EVAPORATOR - AXIAL - FOREIGN (230V)	
4614059	DAM - CONDENSATE	1
3128063	DRAIN WATER BATH	1
4119013	PROBE - TEMPERATURE SENSOR	1
4644018	COMPRESSOR PKG. - 1/3 HP - 220V - R - 134A (INCLUDES THE FOLLOWING ITEMS)	1
-	BALE STRAP	1
4304057	COVER	1
4304216	GROMMET & SLEEVE PACKAGE (4 EA.)	1
4644021	STARTING RELAY	1
998802	CAPACITOR - START - 80MFD - 220/250V	1
4644019	COMPRESSOR - 1/3 HP - 220V - R - 134A	1
4304058	CORD - RELIEF	1



CRANE

This document is available free of
charge to our customers.
Crane Merchandising Systems

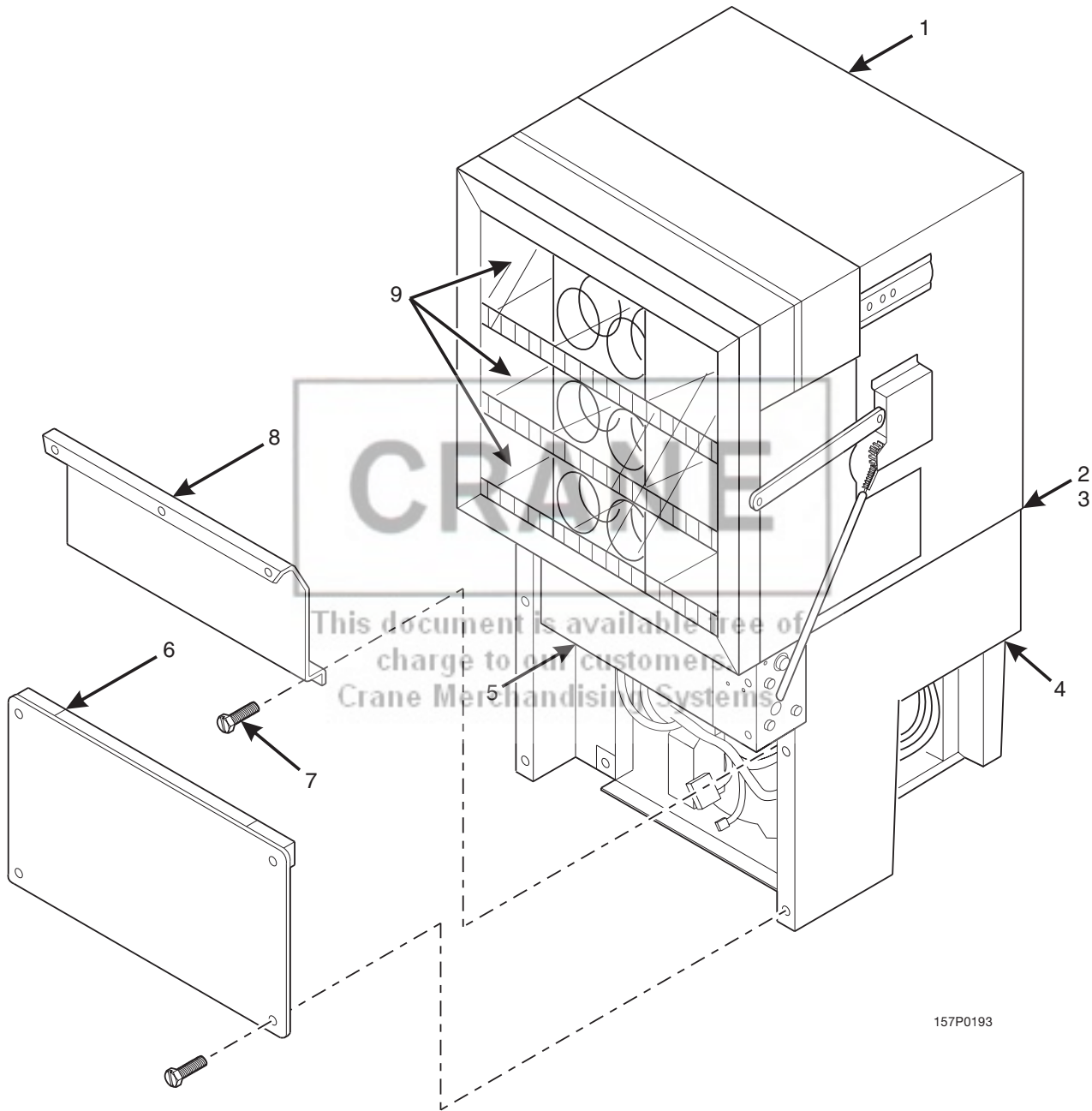


Figure 72. Refrigerated Food Module and Housing Assembly



Snack / Refreshment Center 2 Parts Manual

TABLE 73. REFRIGERATED FOOD MODULE AND HOUSING ASSEMBLY

INDEX	PART NUMBER	DESCRIPTION	QTY
1	4847005	REFRIGERATED FOOD MODULE ASSEMBLY - 110V	1
	4847018	REFRIGERATED FOOD MODULE ASSEMBLY - 220V	
2	4404013	GASKET - REFRIGERATED MODULE - OUTSIDE	1
3	4744017	GASKET - REFRIGERATED MODULE	1
4	4844007	REFRIGERATION MODULE ASSEMBLY - 110V	1
	4874050	REFRIGERATION MODULE ASSEMBLY - DANFOSS (230V)	
5	4744027	DOOR - REFRIGERATION MODULE	1
6	1581028	COVER & SEAL ASSY - COMPRESSOR (MODEL 484 -SHOWN)	1
	4681020	COVER & SEAL ASSY - COMPRESSOR (MODEL 487 -NOT SHOWN)	
7	4727144	SCREW - #8-18X.62 HEX HEAD	6
8	4744042	DOOR - RETAINER	1
9	-	TRAY ASSEMBLIES (SEE FIGURE 79 FOR DETAILS)	3

CRANE

This document is available free of
charge to our customers.
Crane Merchandising Systems

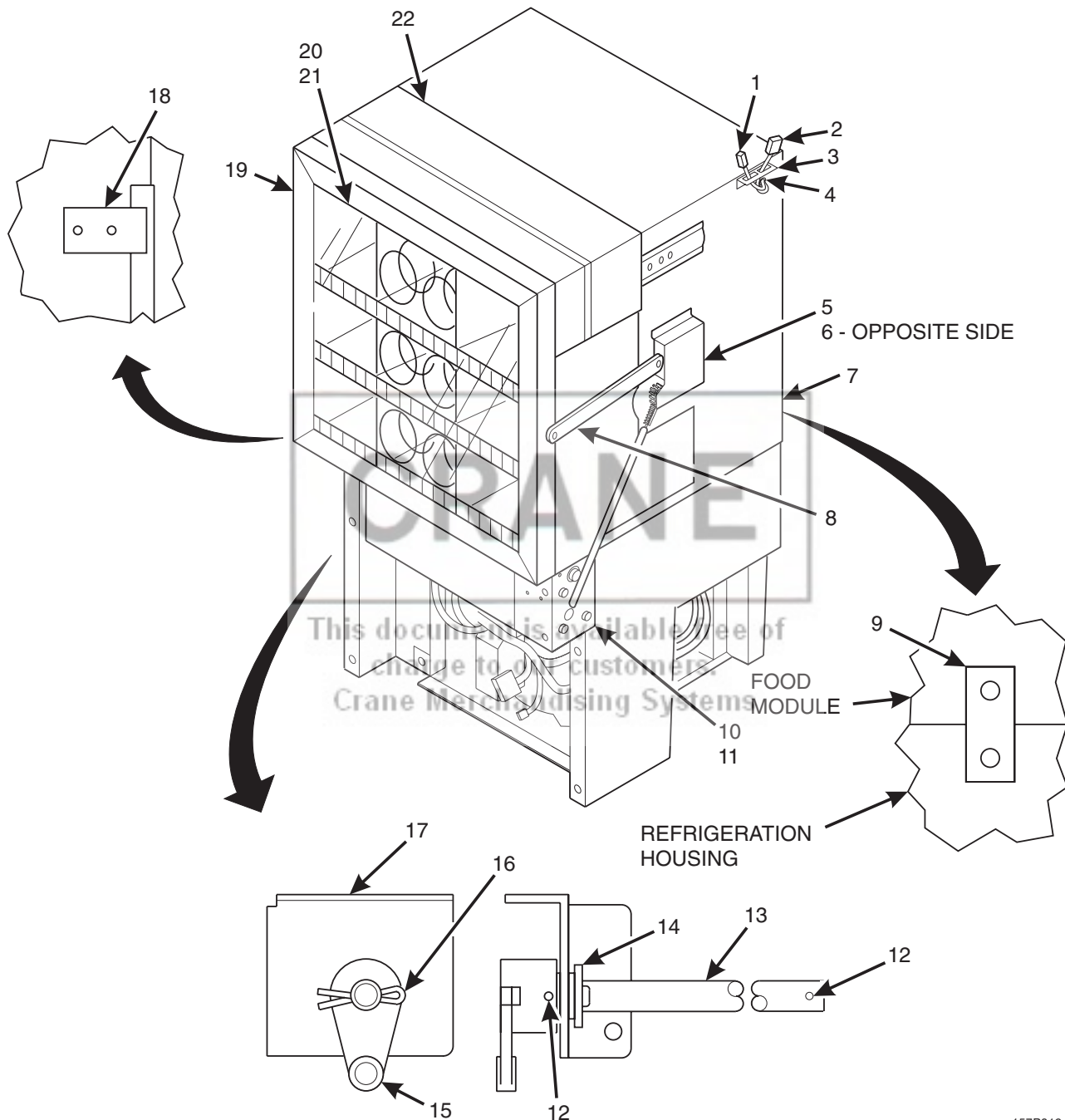


Figure 73. Major Components - Refrigerated Food Module

157P0194



Snack / Refreshment Center 2 Parts Manual

TABLE 74. MAJOR COMPONENTS - REFRIGERATED FOOD MODULE

INDEX	PART NUMBER	DESCRIPTION	QTY
1	4119013	PROBE - TEMPERATURE SENSOR	1
2	4407009	JUMPER - CHANNEL PCB - FOOD MODULE	1
3	4407002	BRACKET - CABLE PLUG	1
-	4721035	SCREW - #8-18 X .38 - LGM	2
4	3502097	BUSHING #OCB - 500	1
5	4407069	DRIVE ARM ASSEMBLY - R.H. (SEE FIGURE XX FOR DETAILS)	1
-	9900425	RETAINING RING REINF E TYP. 312	1
-	1451097	SCREW - #8-32 X .31 HEX HD. TF - BLK	5
6	4407052	DRIVE ARM ASSEMBLY - L..H. (SEE FIGURE 84 FOR DETAILS)	1
-	9900425	SCREW - RETAINING RING REINF. E TYP. 250	1
-	1451097	SCREW - #8-32 X .31 HEX HD. TF-BLK.	-
7	4407026	HOUSING & LINER ASSEMBLY - FOOD MODULE	1
8	9900431	RETAINING RING REINF. E TYP. 312	1
9	4747062	MOUNTING STRAP - CAN MODULE	1
-	4721035	SCREW - #8-18 X .38 - LGM	-
-	4727144	SCREW - #8-18 X .62 HEX HEAD	-
10	4407077	MOTOR MOUNTING BRACKET ASSEMBLY (SEE FIGURE 86 FOR DETAILS)	1
-	4721035	SCREW - #8-18 X .38 - LGM	3
-	4727144	SCREW - #8-18 X .62 HEX HEAD	1
11	4747725	COVER - MOTOR ASSEMBLY	1
-	1451097	SCREW - #8-32 X .31 HEX HD. TF-BLK	5
-	4407086	DRIVE SHAFT ASSEMBLY (INCLUDES INDEX #'S 12 - 17)	1
12	3127034	ROLL PIN 1/8 X 13/16	2
13	4407087	SHAFT - DRIVE	1
14	4047012	SHOULDER BUSHING	1
15	4407079	ARM - DRIVE	1
16	9900098	COTTER PIN 3/32 X 3/4 IN.	2
17	4407088	BRACKT - DRIVE SHAFT	1
18	4844027	GUIDE - DOOR FRAME SUPPORT	1
19	4407115	DOOR ASSEMBLY - REFRIGERATED FOOD MODULE (SEE FIGURE 83 FOR DETAILS)	1
-	5500026	SCREW - 8-32 X 3/8 PHS T/F	-
20	4741223	DECAL - COLD/FROZEN FOOD	1
21	4612001	DECAL - "CHILLED FOR FRESHNESS"	1
22	4747716	DOOR FRAME ASSEMBLY (SEE FIGURE 76 FOR DETAILS)	1
-	5500026	SCREW - 8-32 X 3/8 PHS T/F	-



TABLE 75. REFRIGERATION MODULE ASSEMBLY - FOOD (110V)

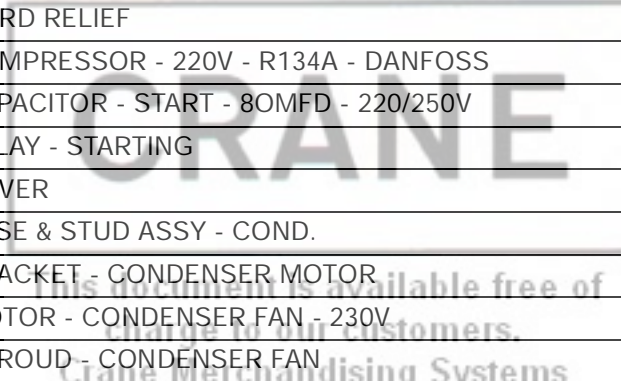
PART NUMBER	DESCRIPTION	QTY
4844007	REFRIGERATION MODULE ASSEMBLY FINAL - FOOD	1
4404006	PLATE - EVAPORATOR FAN SHROUD	1
4744045	SHROUD - EVAPORATOR FAN	1
4724124	FAN - EVAPORATOR	1
4744020	SHROUD - TOP	1
4744017	GASKET - REFIGERATION MODULE	1
4844026	EVAPORATOR & TUBE ASSEMBLY - TECUMSEH	1
4404003	BAFFLE - REFRIGERATION	1
4404015	GASKET - BAFFLE - TOP	1
4404016	GASKET - BAFFLE - BOTTOM	1
3128063	DRAIN - WATER BATH	1
4744002	HOUSING - REFRIGERATION MODULE	1
4301152	DRAIN - CONDENSATE	1
4844019	TRIAC & SUPPORT ASSEMBLY - REFRIGERATED	1
3608149	BLADE - CONDENSATE FAN FV-700CW20P	1
4043121	SILENCER - FAN - MORRIL S-5847-1	1
4744112	MOTOR - CONDENSER FAN	1
4744009	BRACKET - CONDENSER MOTOR	1
4724066	GROMMET - 11/16: HIGH	1
4844002	BASE & STUD ASSEMBLY - CONDENSER	1
4304192	LABEL - R134A - SMALL	4
4744022	PAN - CONDENSATE	1
4744106	BAG - COMPRESSOR COMP - 115V	1
-	BALE STRAP	1
-	COVER	1
-	RELAY	1
-	OVERLOAD	1
-	GROMMET	4
-	SLEEVE	4
4744108	COMPRESSOR - AZ0370Y - R134A	1
3608146	SHROUD - CONDENSER FAN	1
4744109	CONDENSER - W/PROCESS TUBE	1
4744564	HARNESS - COMPRESSOR - R134A - CAN (NOT SHOWN)	1



Snack / Refreshment Center 2 Parts Manual

TABLE 76. REFRIGERATION MODULE ASSEMBLY - FOOD (230 V)

PART NUMBER	DESCRIPTION	QTY
4874050	REFRIG. MOD - REFRIG. FOOD - DANFOSS	1
4774007	COVER - AIR DUCT	1
4874002	FAN - EVAPORATOR - 230V	1
4774045	MOUNTING BRACKET - FAN	1
4874043	EVAP. ASSY - SNACK/CAN - DANFOSS	1
4774003	DIVIDER WALL - AIR DUCT	1
4844001	FAN - EVAPORATOR - 230V	1
4774004	SHROUD - EVAPORATOR FAN	1
4744101	HOUSING - REFRIGERATOR MODULE	1
4774046	WALL - AIR DUCT	1
4844019	TRIAC & SUPPORT ASSY - REFRIG.	1
4644029	PAN - CONDENSATE	1
4304216	GROMMET & SLEEVE PACKAGE (4 EACH)	1
4304058	CORD RELIEF	1
4304211	COMPRESSOR - 220V - R134A - DANFOSS	1
9988902	CAPACITOR - START - 80MFD - 220/250V	1
4304214	RELAY - STARTING	1
4304057	COVER	1
4774105	BASE & STUD ASSY - COND.	1
4744009	BRACKET - CONDENSER MOTOR	1
4774122	MOTOR - CONDENSER FAN - 230V	1
4774026	SHROUD - CONDENSER FAN	1
4774027	BLADE - CONDENSER FAN	1
3634002	CONDENSER	1
4641074	COVER & SEAL ASSEMBLY - REFIG. HOUSING	1
4301152	DRAIN - CONDENSATE	1
3128063	DRAIN - WATER BATH	1
4774002	DIVIDER - EVAPORATOR	1
4744031	SEAL - .50 X .50 IN.	1
4774008	GASKET - AIR DUCT COVER	1



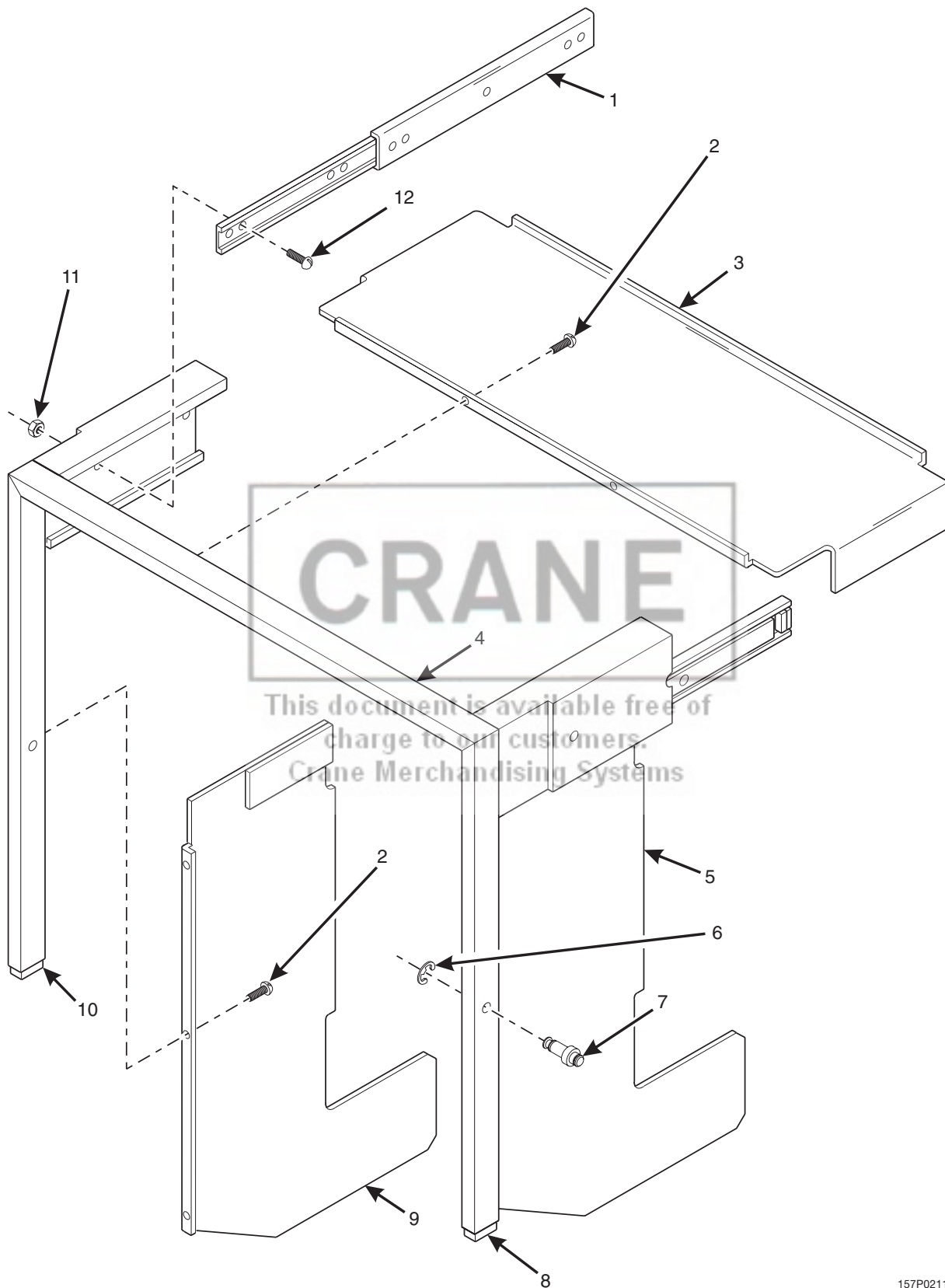


Figure 76. Food Module Door Frame Assembly

157P0211



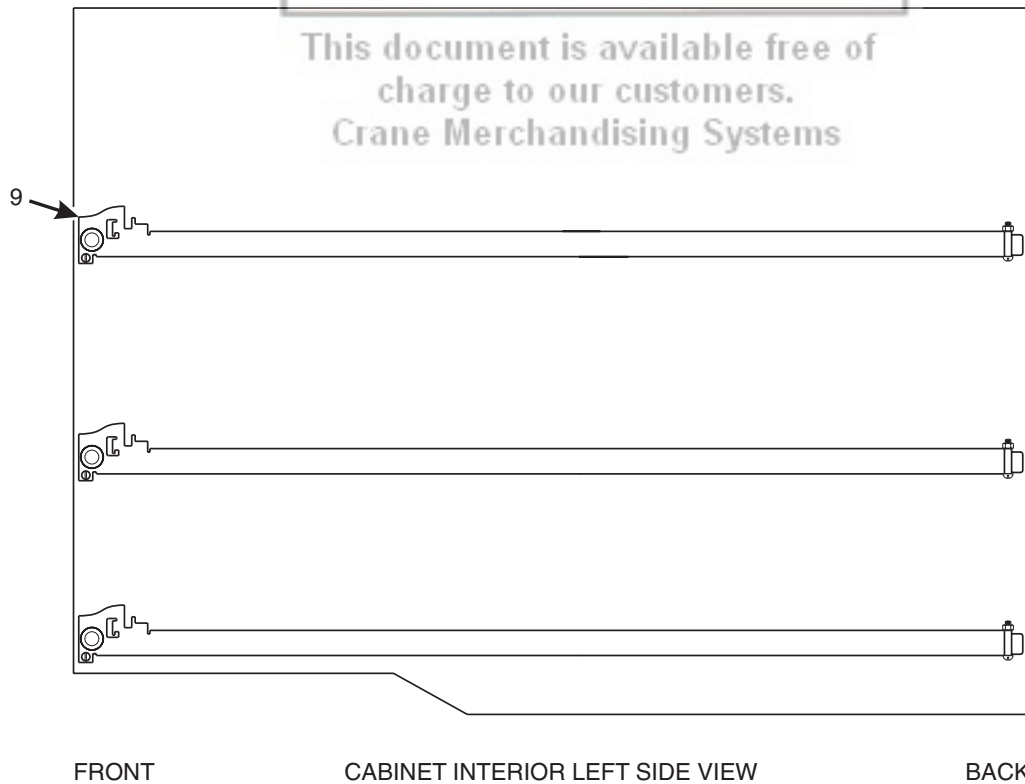
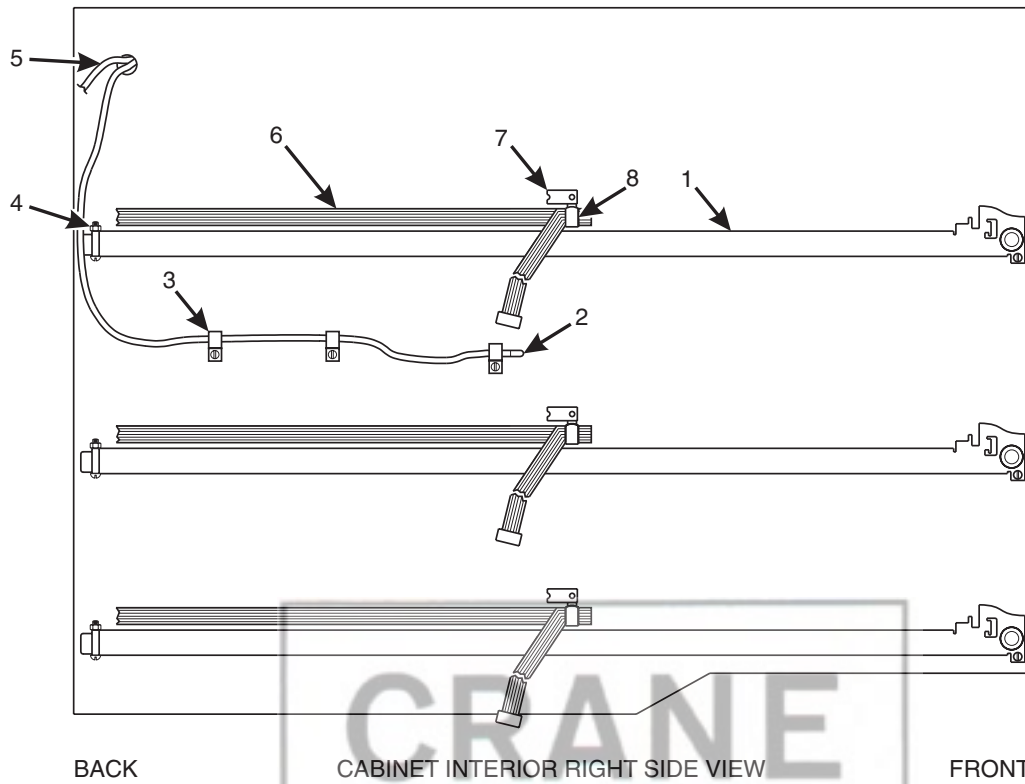
Snack / Refreshment Center 2 Parts Manual

TABLE 77. FOOD MODULE DOOR FRAME ASSEMBLY

INDEX	PART NUMBER	DESCRIPTION	QTY
-	4747716	DOOR FRAME ASSEMBLY	1
1	4407103	SLIDE - 10"	2
2	1451097	SCREW - #8-32 X .31 HEX HD. TF - BL	8
3	4407106	SHIELD - SIDE - RIGHT SIDE	1
4	4407107	DOOR FRAME WELD ASSEMBLY	1
5	4407159	SHIELD - RIGHT SIDE	1
6	9900431	RETAINING RING REINF E TYP. 3	1
7	4407102	STUD - DOOR LATCH	1
8	1479120	CAPLUG - REC. ½ X 1	1
9	4407158	SHIELD - LEFT SIDE	1
10	4407101	SUPPORT - DOOR FRAME	1
11	1412046	8-32 NUT MF 23TW832 BLOX	4
12	9900118	SCREW #8-32 X 3/8 THS BLACK	4

CRANE

This document is available free of
charge to our customers.
Crane Merchandising Systems



This document is available free of charge to our customers.
Crane Merchandising Systems

Figure 77. Refrigerated and Frozen Food Module - Interior View (Part 1 of 2)

157P0195



Snack / Refreshment Center 2 Parts Manual

TABLE 78. REFRIGERATED AND FROZEN FOOD MODULE - INTERIOR VIEW (PART 1 OF 2)

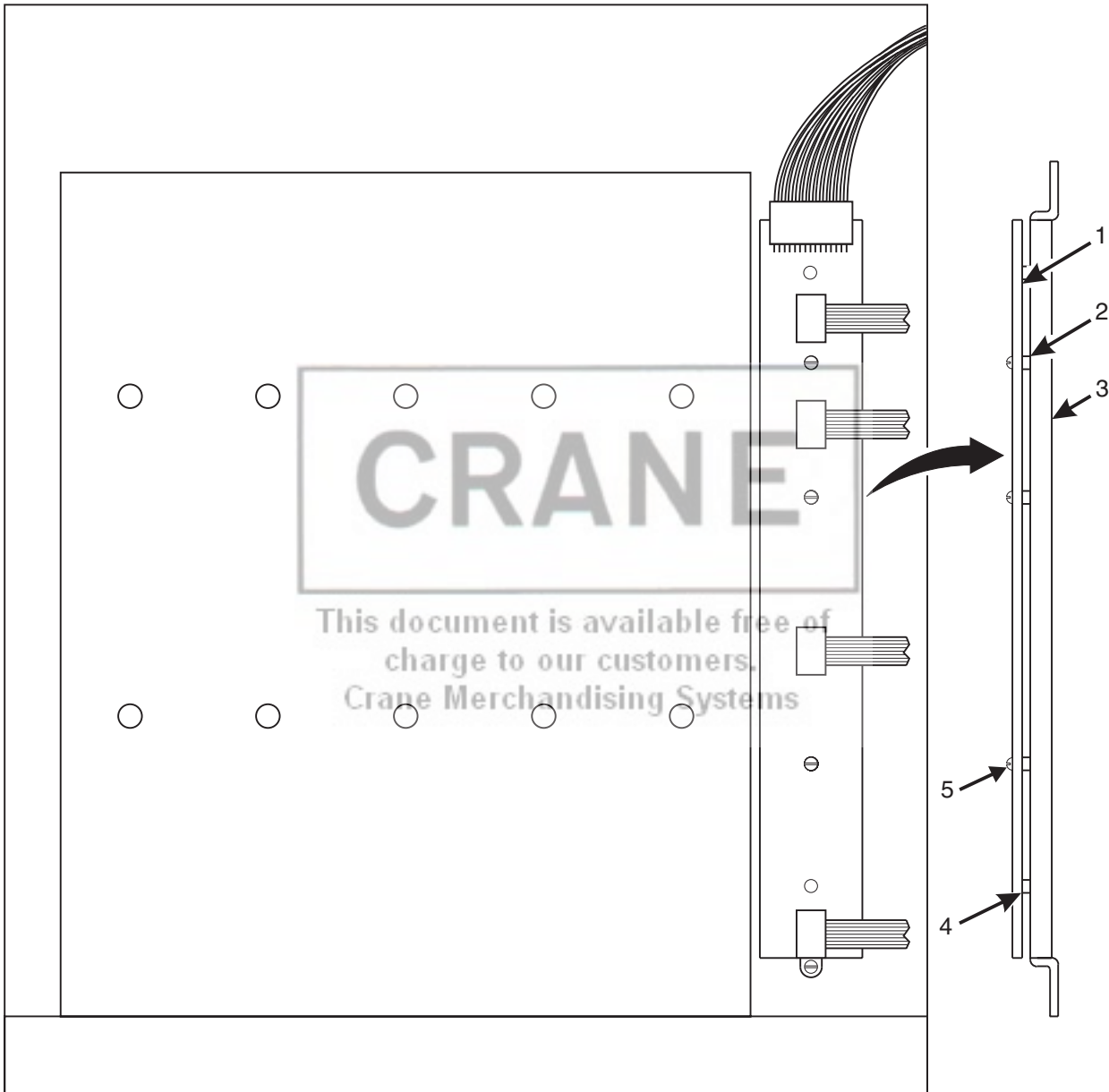
INDEX	PART NUMBER	DESCRIPTION	QTY
1	4407021	RAIL & ROLLER ASSEMBLY - R.H.	3
-	4402038	SCREW	3
2	4119013	PROBE - TEMPERATURE SENSOR	1
3	2342315	CLIP - WIRE HARNESS	3
-	4402038	SCREW	3
4	4407016	WIRE COVER - 6138236 - .208 ID X .88	6
-	4402037	SCREW	6
-	6104424	NUT	6
5	4407009	JUMPER - CHANNEL PCB - FOOD MODULE	1
6	4402010	FLAT CABLE ASSEMBLY	3
7	4407156	KEEPER - HARNESS	3
-	4402038	SCREW	3
8	4407014	RETANGULAR CLOSURE	3
9	4407017	RAIL & ROLLER ASSEMBLY - L.H.	3
-	4402038	SCREW	3

CRANE

This document is available free of
charge to our customers.
Crane Merchandising Systems



TOP



CABINET INTERIOR BACK VIEW

157P0197

Figure 78. Refrigerated and Frozen Food Module - Interior View (Part 2 of 2)



Snack / Refreshment Center 2 Parts Manual

TABLE 79. REFRIGERATED AND FROZEN FOOD MODULE - INTERIOR VIEW (PART 2 OF 2)

INDEX	PART NUMBER	DESCRIPTION	QTY
1	4401000	PCB ASSY - CHANNEL - FOOD MOD	1
2	4407025	SPACER	3
3	4407146	BRACKET - P.C. BOARD (PAINTED)	1
4	4407024	SUPPORT - CIR. BD. MINIATURE	2
5	6107240	SPACER	3

CRANE

This document is available free of
charge to our customers.
Crane Merchandising Systems

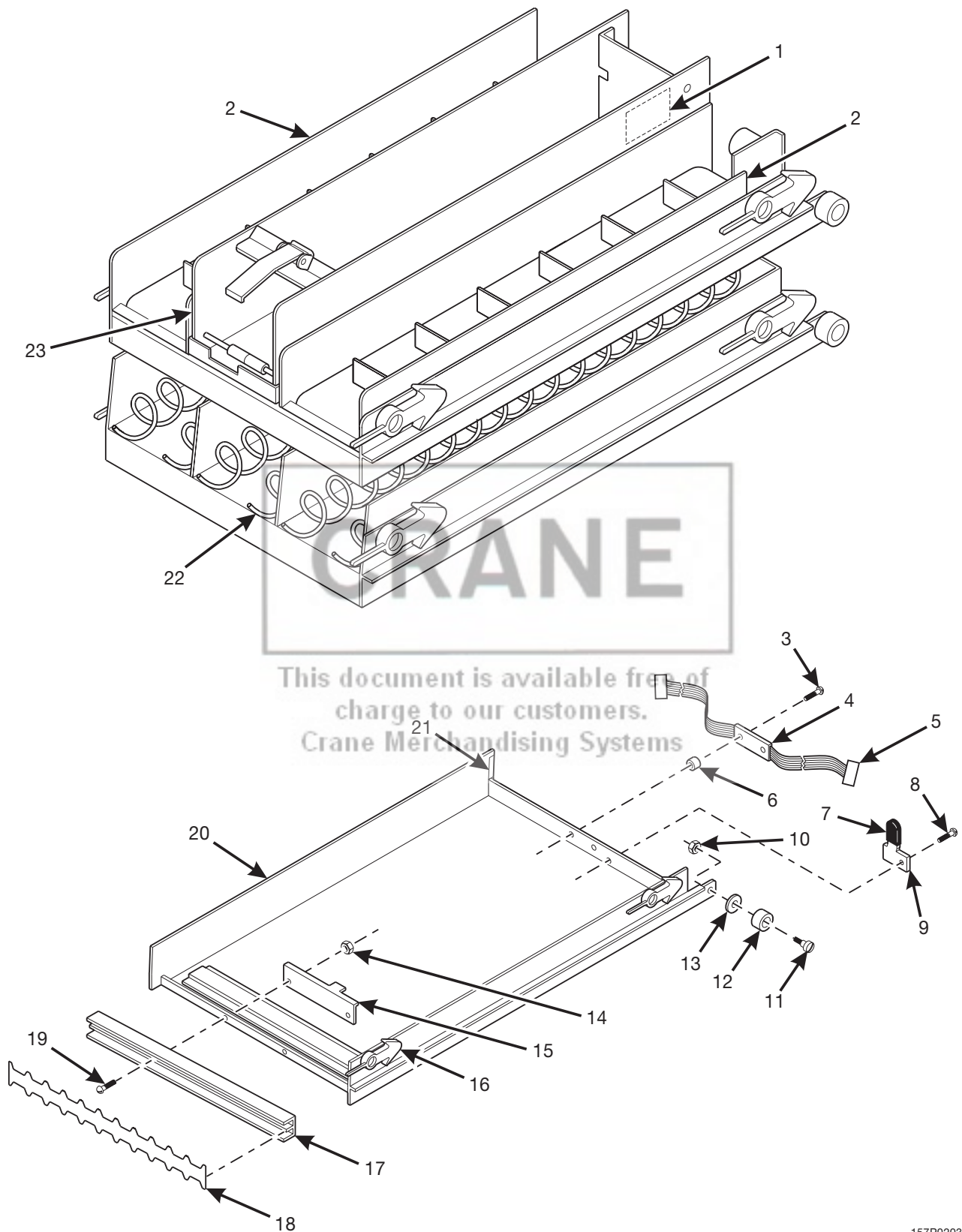


Figure 79. General Tray Assemblies - Refrigerated Food Module

157P0203



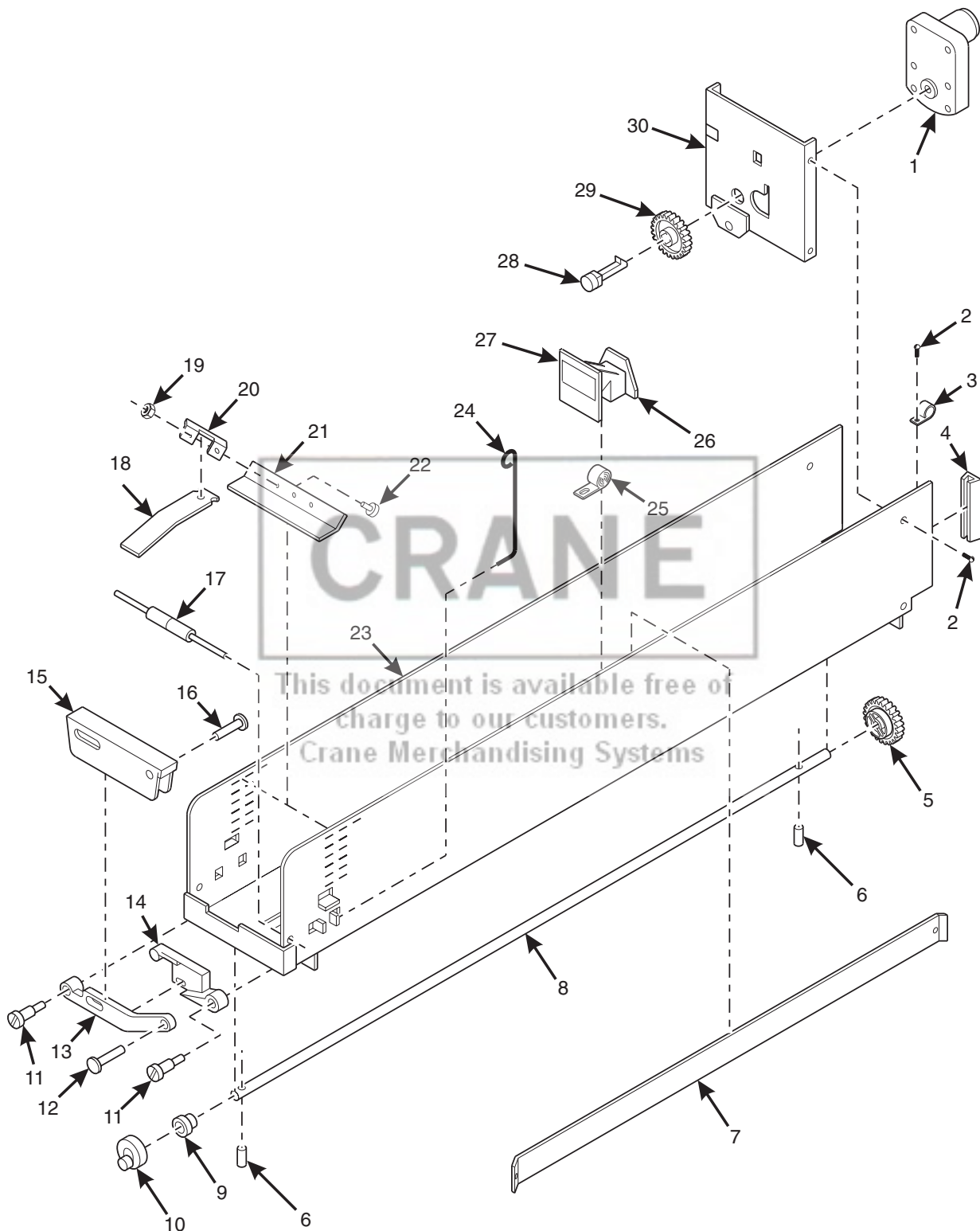
Snack / Refreshment Center 2 Parts Manual

NOTE

*Tray assemblies can be configured several different ways:
All spirals, all belts, or 2 belts and 1 pusher. This table represents parts common to all trays including the modules needed to configure trays for spirals, belts or pushers*

TABLE 80. GENERAL TRAY ASSEMBLIES - REFRIGERATED FOOD MODULE

INDEX	PART NUMBER	DESCRIPTION	QTY
1	4757500	LABEL - TRAY REMOVAL	1
2	4407600	BELT MODULE ASSEMBLY (SEE FIGURE XX 75 FOR DETAILS)	OPT
-	3104138	SCREW #8-32 X 3/8 PHS T/C SS	-
3	6107240	SCREW - #6-32 X 1/2 PHS - TCS.S.	2
4	4402008	PCB ASSEMBLY - TRAY - FOOD MODULE	1
5	4407501	HARNESS - 6 MOTOR - FOOD MODULE	1
6	4407025	SPACER - .38 OCX .14IDX .187L	2
7	4407114	RETANGULAR CLOSURE	1
8	4402038	SCREW #8 - 15 X .38 STAINLESS	1
9	4407516	RETAINER - HARNESS	1
10	4402046	NUT #1/4 - 20 SELF LOCKING - SS	2
11	4407514	STUD - TRAY ROLLER	2
12	4407019	ROLLER - TRAY	2
13	4402041	WASHER - 5/8 X 9/32 X 1/16 - SS	2
14	4402043	NUT #8-32 W/L.W. - S.S.	2
15	4407845	RETAINER - SPIRAL MODULE (USED WITH INDEX #22 ONLY)	1
16	1477017	LATCH	4
-	5201267	PUSH ON RETAINER .312	4
17	4407503	RAIL - PRICE & SELECTION	1
18	4407504	HOLDER - PRICE & SELECTION	1
19	3108221	SCREW #8-32 X 3/8 PHS ST. STL.	2
20	4402034	TRAY WELD ASSEMBLY (PAINTED)	1
21	4407502	GROMMET - 3156015 - 2.0 LG.	1
22	4407800	SPIRAL MODULE ASSEMBLY - 3 SELECT (SEE FIGURE XX 76 FOR DETAILS)	OPT
-	3104138	SCREW #8-32 X 3/8 PHS T/C SS	-
23	4407700	PUSHER MODULE ASSEMBLY (SEE FIGURE XX 74 FOR DETAILS)	OPT
-	3104138	SCREW #8-32 X 3/8 PHS T/C SS	-



157P0217

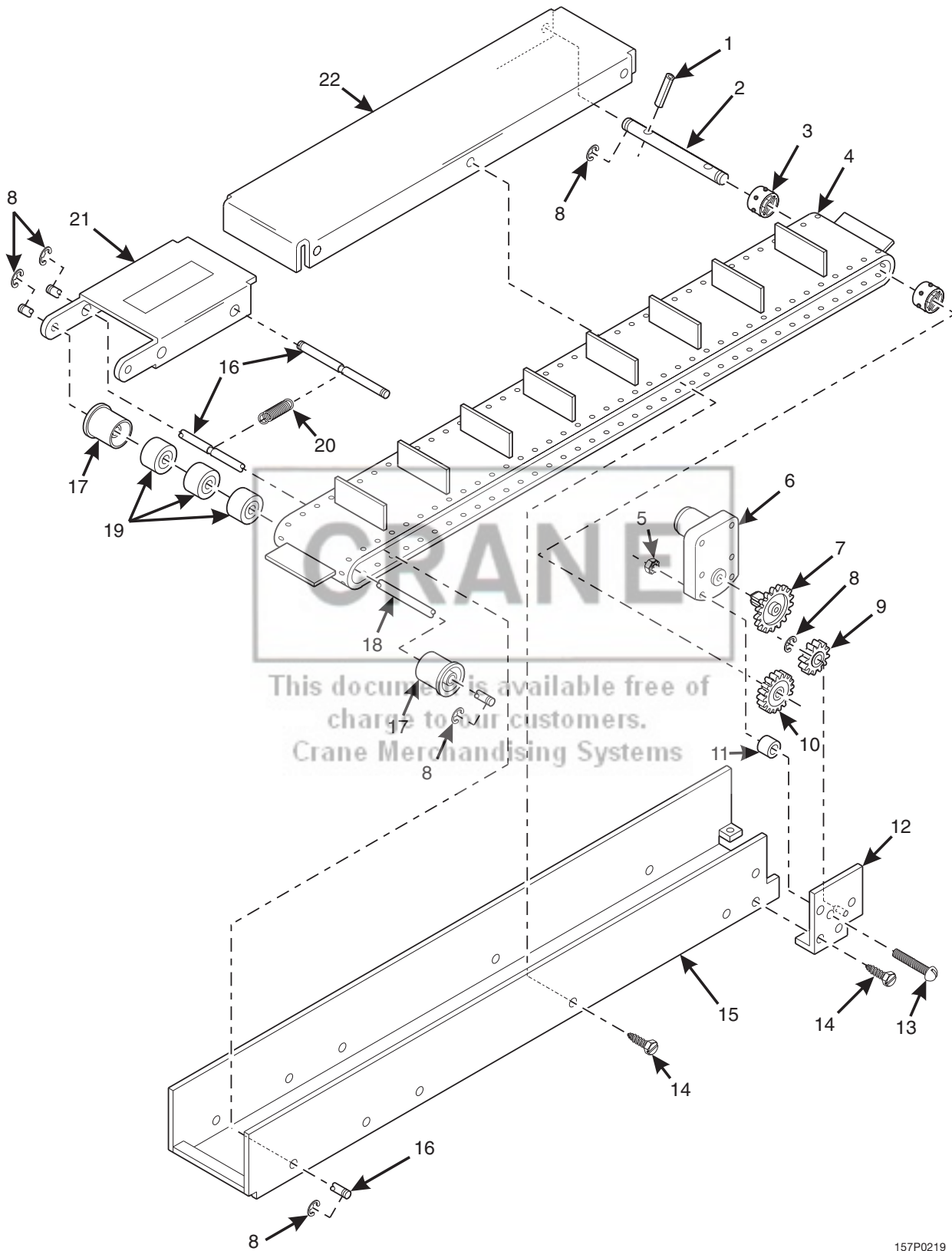
Figure 80. Pusher Module Assembly



Snack / Refreshment Center 2 Parts Manual

TABLE 81. PUSHER MODULE ASSEMBLY

INDEX	PART NUMBER	DESCRIPTION	QTY
-	4407700	PUSHER MODULE ASSEMBLY	-
1	4744555	MOTOR & PCB ASSEMBLY	1
2	4402038	SCREW #8-15 X .38 STAINLESS	5
3	2342315	CLIP - WIRE HARNESS	1
4	4407502	GROMMET - 3156015 - 2.0 LONG	2
5	4407710	GEAR - EJECTOR SHAFT	1
6	5220463	ROLL PIN .093 X 7/16	2
7	4402213	SPACER - PRODUCT	1
8	4407742	SHAFT - EJECTOR	1
9	4407722	BUSHING - EJECTOR SHAFT	1
10	4407708	CAM - EJECTOR	1
11	4407739	STUD - EJECTOR - PUSHER	2
12	4407740	STUD - EJECTOR - BRACKET - LEFT	1
13	4407716	ARM - EJECTOR - LEFT	1
14	4407717	ARM - EJECTOR - RIGHT	1
15	4407735	BRACKET - EJECTOR	1
16	4407741	STUD - EJECTOR BRACKET - RIGHT	1
17	4407729	ROLLER & SHAFT ASSEMBLY - PUSHER (CONTAINS THE NEXT 3 ITEMS)	1
	4407731	SHAFT - PUSHER MODULE	1
	4407730	ROLLER - PUSHER MODULE	2
	2366055	SPEED CLIP COMPRESSION RING	2
18	4407736	STOP - PACKAGE	1
19	6104429	KEPS NUT #6-32 S.S. EXT LW	2
20	4407737	KEEPER - STOP	1
21	4407738	GUIDE - PACKAGE	1
22	4402039	SCREW #6-32 X 1/4 RHS - S.S.	2
23	4402212	FRAME ASSEMBLY - PUSHER	1
24	4407707	RETAINER - GUIDE	2
25	4407713	SPRING - PUSHER	1
26	4407728	LABEL - SOLD OUT	1
27	4407714	PUSHER - PRODUCT	1
28	4407712	COUPLING - MOTOR	1
29	4407711	GEAR - DRIVE - PUSHER	1
30	4407734	BRACKET & MOTOR PANEL ASSEMBLY	1



157P0219

Figure 81. Belt Module Assembly



Snack / Refreshment Center 2 Parts Manual

TABLE 82. BELT MODULE ASSEMBLY

INDEX	PART NUMBER	DESCRIPTION	QTY
-	4407600	BELT MODULE ASSEMBLY	-
1	6104219	ROLL PIN	2
2	4407634	SHAFT - DRIVE SPROCKET	1
3	4407619	SPROCKET - DRIVE	2
4	4407604	BELT - CONVEYOR	1
5	4402043	NUT #8-32 W/L.W. - S.S.	2
6	4744555	MOTOR & PCB ASSEMBLY	1
7	4407615	GEAR - DRIVE MOTOR	1
8	3103029	WALDES TRUARC RING	9
9	4407616	GEAR - IDLER - BELT MODULE	1
10	4407618	GEAR - BELT DRIVE	1
11	4407617	SPACER - MOTOR	2
12	4407622	BRACKET & STUD ASSEMBLY	1
13	4402036	SCREW #8-32 X 1 3/8 RHS - SS.	2
14	4402038	SCREW #8-15 X .38 STAINLESS	9
15	4407628	FRAME ASSEMBLY - BELT MODULE	1
16	4407632	SHAFT - BELT ADJUSTOR	2
17	4407611	ROLLER - BELT - OUTSIDE	2
18	4407633	SHAFT - BELT - FRONT	1
19	4407612	ROLLER - BELT - INSIDE	3
20	4407607	SPRING - BELT TENSION	1
21	4407630	SUPPORT - BELT - FRONT	1
22	4407629	SUPPORT - BELT - REAR	1

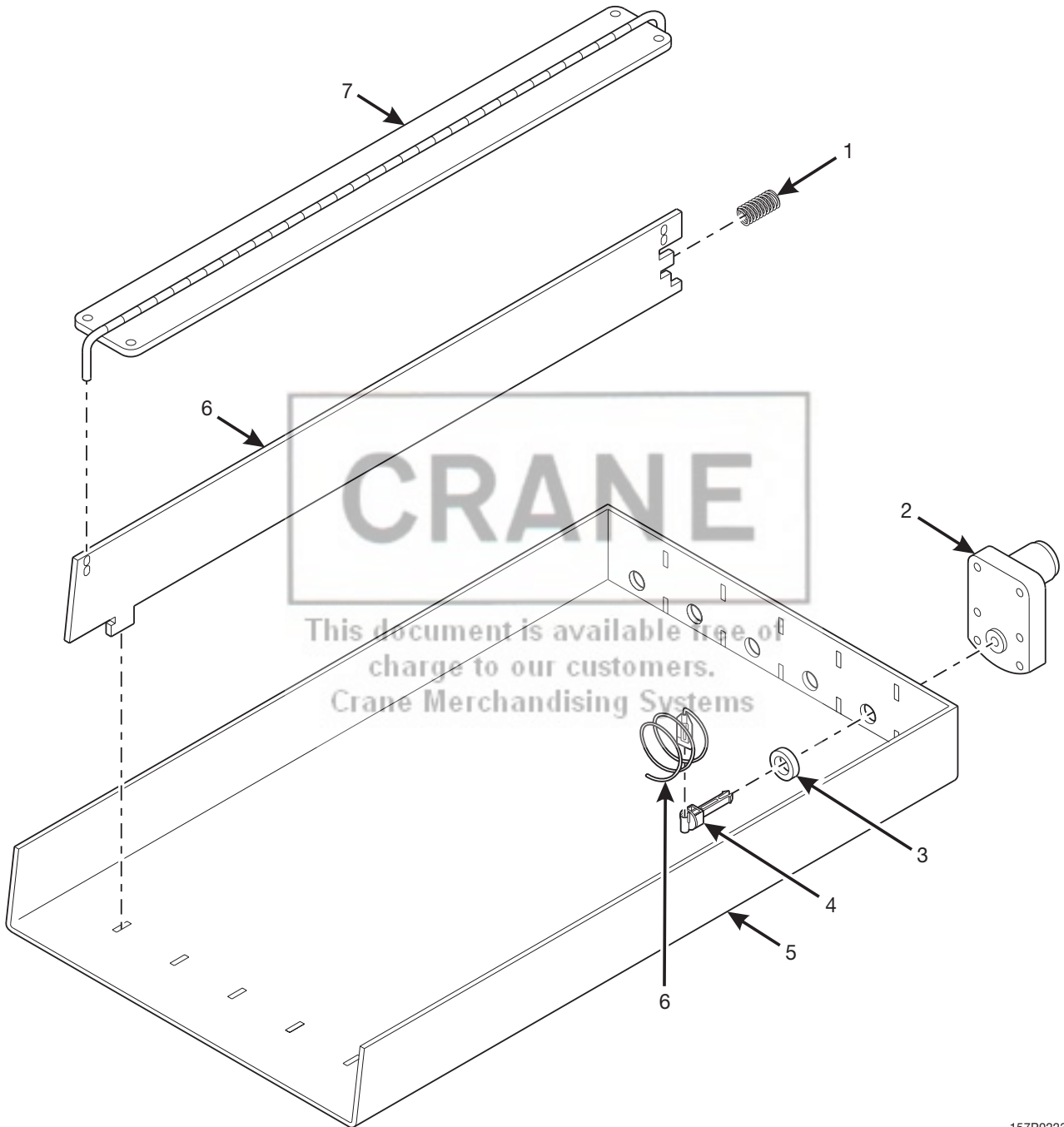


Figure 82. Spiral Module Assembly



Snack / Refreshment Center 2 Parts Manual

TABLE 83. SPIRAL MODULE ASSEMBLY

INDEX	PART NUMBER	DESCRIPTION	QTY
1	4407808	SPRING - DIVIDER	2
2	4744555	MOTOR & PCB ASSEMBLY	6
3	4407803	SPACER - MOTOR	6
4	1477113	COUPLING - SPIRAL	6
5	4407842	FRAME ASSY - SPIRAL MODULE	1
6	4407844	DIVIDER - SPIRAL MODULE	2
7	4407843	SPACER - ADJUSTABLE	1

TABLE 83 A. SPIRAL OPTIONS (FOR REFRIG. / FROZEN FOOD TRAYS)

SPIRAL COUNT	RETAINER COLOR	LEFT HAND		RIGHT HAND		RETAINER
		ASSEMBLY	SPIRAL	ASSEMBLY	SPIRAL	
5	TAN	4407815	4407816	4407818	4407819	4407817
6	DK. GREEN	4407820	4407821	4407823	4407824	4407822
7	MAUVE	4407825	4407826	4407828	4407829	4407827
9	AQUA	4407830	4407832	4407834	4407835	4407833
12	BLACK	4407837	4407838	4407839	4407840	1477073

This document is available free of charge to our customers.
Crane Merchandising Systems

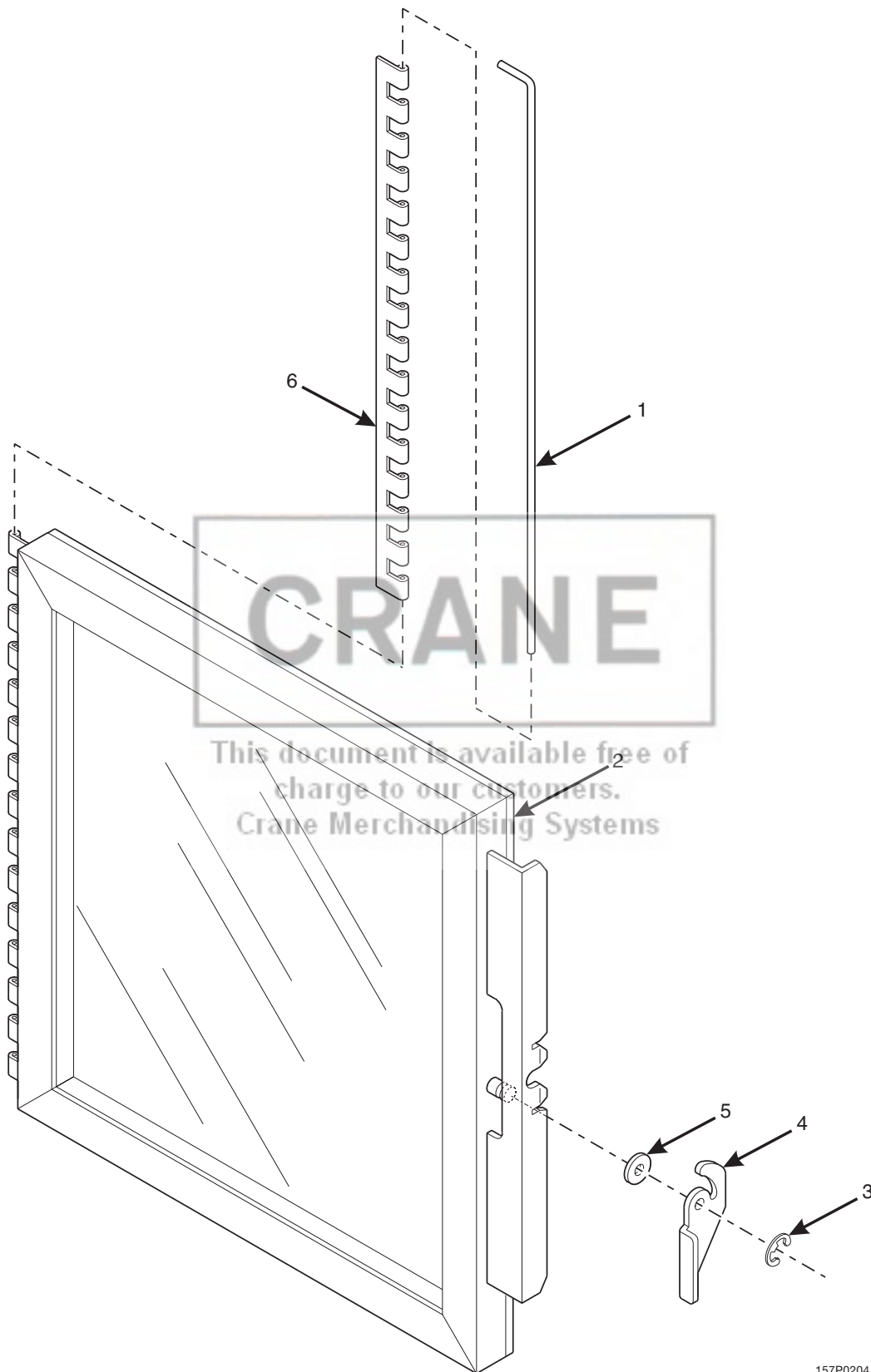


Figure 83. Door Assembly - Refrigerated Food Module

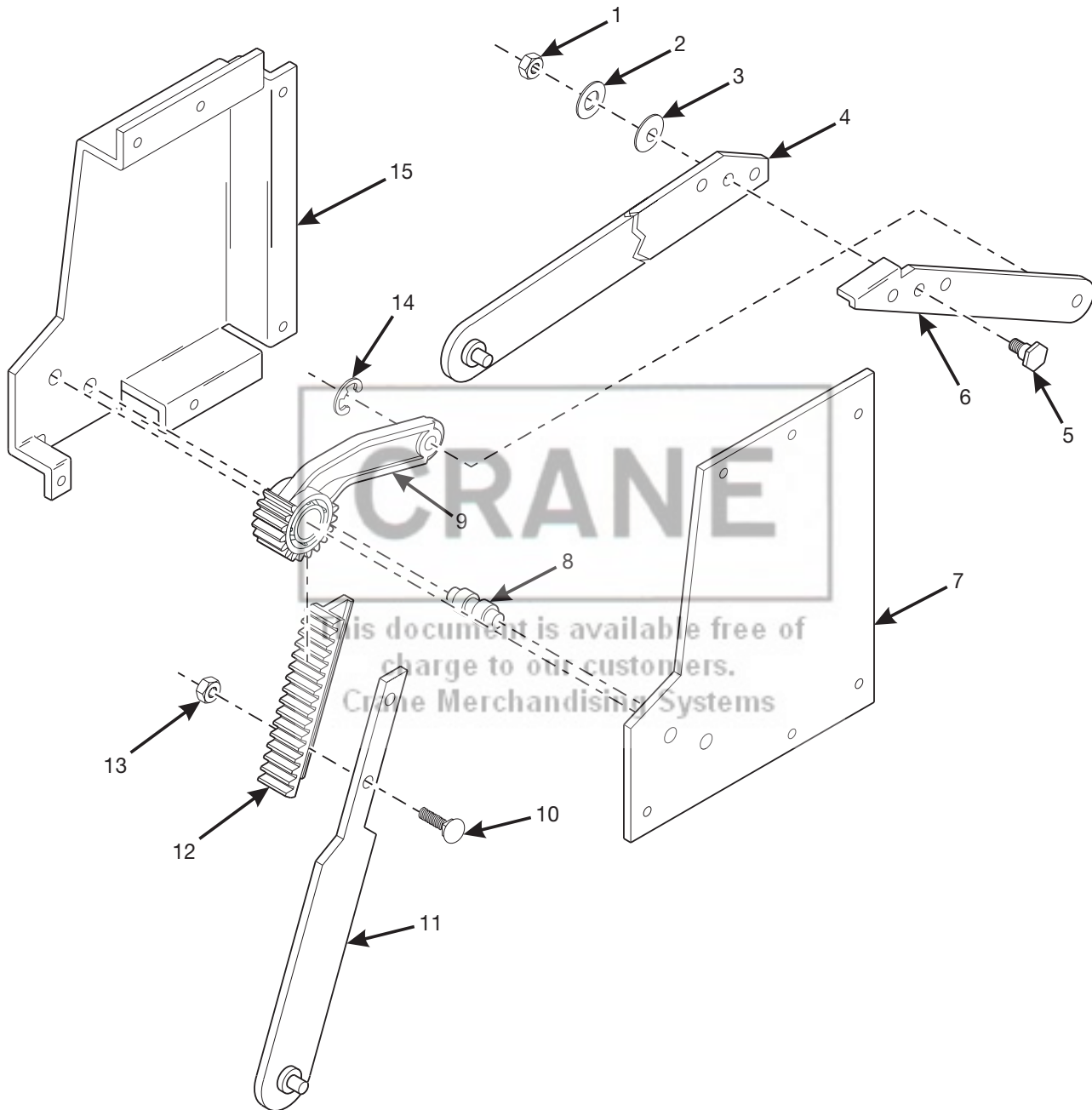


TABLE 84. DOOR ASSEMBLY - REFRIGERATED FOOD MODULE

INDEX	PART NUMBER	DESCRIPTION	QTY
-	4407115	DOOR ASSEMBLY REFRIGERATED FOOD MODULE	-
1	4407120	PIN - HINGE	1
2	-	DOOR (NOT AVAILABLE SEPARATELY)	1
3	9900425	RETAINING RING REINF. E TYP. 250	1
4	4407160	LEVER - LATCH	1
5	5220113	SPRING WASHER .500 X .254 X .006	1
6	4407132	HINGE - FOOD MODULE DOOR	1

CRANE

This document is available free of
charge to our customers.
Crane Merchandising Systems



157P0206

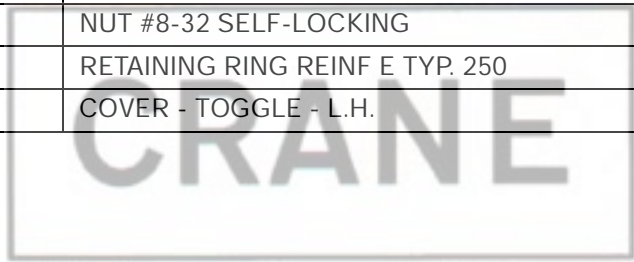
Figure 84. Left Hand Drive Arm Assembly



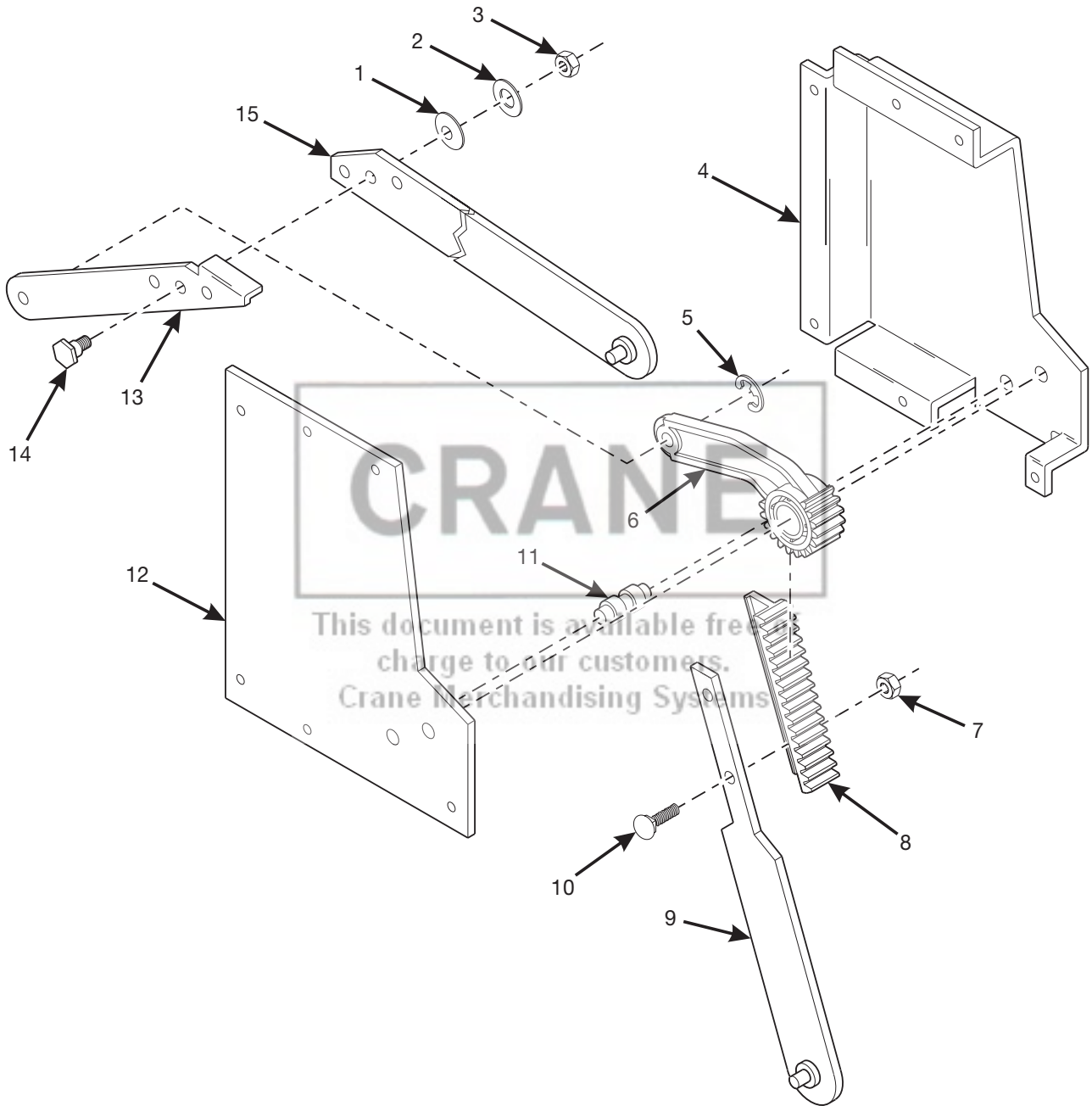
Snack / Refreshment Center 2 Parts Manual

TABLE 85. LEFT HAND DRIVE ARM ASSEMBLY

INDEX	PART NUMBER	DESCRIPTION	QTY
-	4407052	DRIVE ARM ASSEMBLY - L.H.	1
1	1412046	8-32 NUT MF 23TW832 BLOX	1
2	5202012	SPACER EXTENSION BAR	1
3	2202109	SPRING WASHER	1
4	4407059	FRAME DRIVE ARM ASSEMBLY - LONG - L.H.	1
5	4407058	PIVOT - FRAME DRIVE ARM	1
6	4407062	FRAME DRIVE ARM ASSEMBLY - SHORT - L.H.	1
7	4407053	PLATE - TOGGLE - L.H.	1
8	4407055	ROLLER - DRIVE RACK	1
9	4975011	ARM - TOGGLE	1
10	1306140	8-32 X 3/8 CARRIAGE BOLT BLK/OX	2
11	4407067	DRIVE RACK ARM ASSEMBLY	1
12	4407066	RACK DRIVE	1
13	9900072	NUT #8-32 SELF-LOCKING	2
14	9900425	RETAINING RING REINF E TYP. 250	1
15	4407133	COVER - TOGGLE - L.H.	1



This document is available free of charge to our customers.
Crane Merchandising Systems



157P0207

Figure 85. Right Hand Drive Arm Assembly



Snack / Refreshment Center 2 Parts Manual

TABLE 86. RIGHT HAND DRIVE ARM ASSEMBLY

INDEX	PART NUMBER	DESCRIPTION	QTY
-	4407069	DRIVE ARM ASSEMBLY - R.H.	1
1	2202109	SPRING WASHER	1
2	5202012	SPACER EXTENSION BAR	1
3	1412046	8-32 NUT MF 23TW832 BLOX	1
4	4407134	COVER - TOGGLE - R.H.	1
5	9900425	RETIANING RING REINF E TYP. 250	1
6	4975011	ARM - TOGGLE	1
7	9900072	NUT #8-32 SELF-LOCKING	2
8	4407066	RACK - DRIVE	1
9	4407067	DRIVE RACK ARM ASSEMBLY	1
10	1306140	8-32 X 3/8 CARRIAGE BOLT BLK/OX	2
11	4407055	ROLLER - DRIVE RACK	1
12	4407070	PLATE - TOGGLE - R.H.	1
13	4407074	FRAME DRIVE ARM ASSEMBLY	1
14	4407058	PIVOT - FRAME DRIVE ARM	1
15	4407139	ARM - LONG - DOOR FRAME - R.H. - PAINTED	1

CRANE

This document is available free of
charge to our customers.
Crane Merchandising Systems

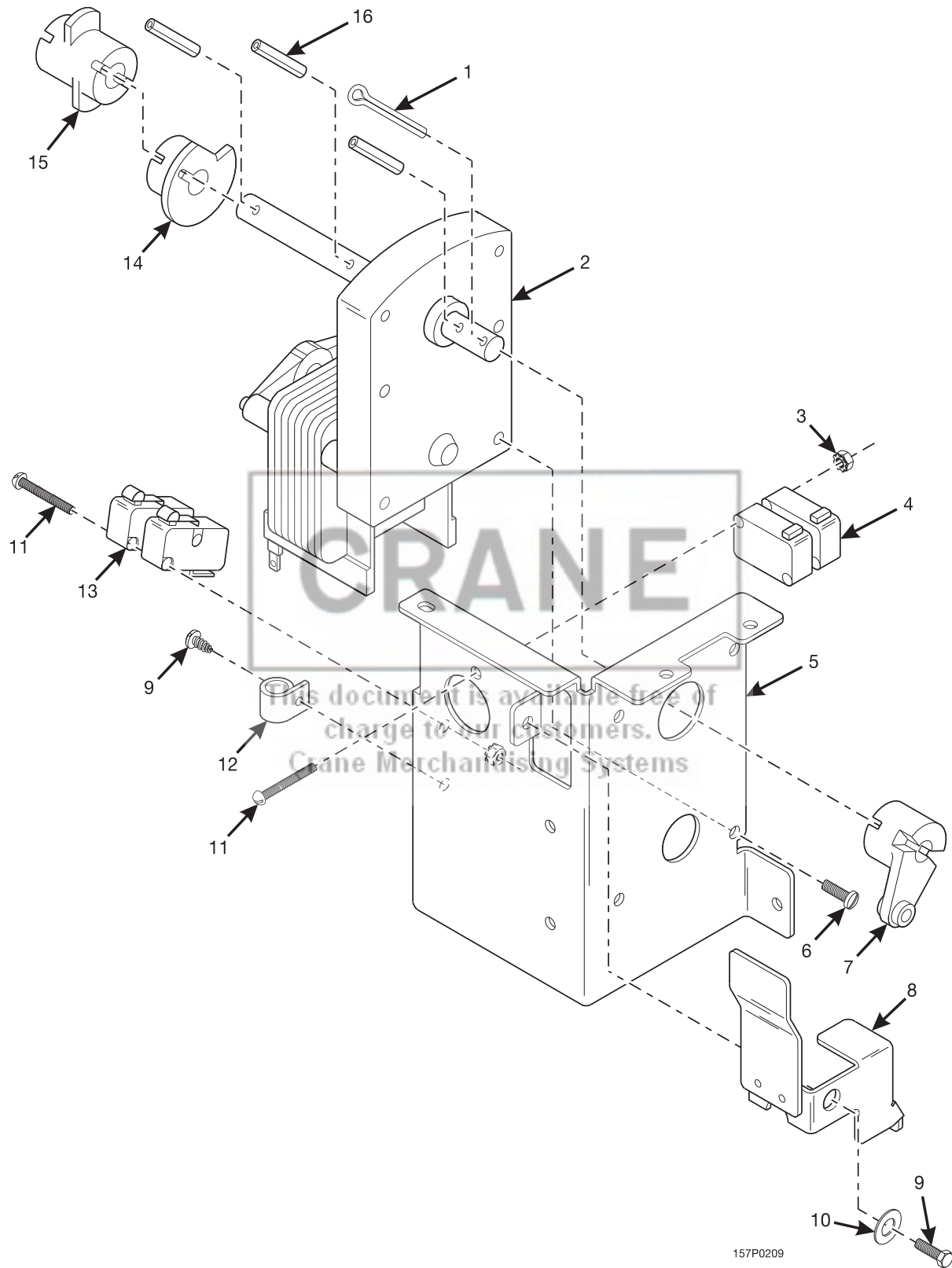


Figure 86. Motor Mounting Bracket Assembly



Snack / Refreshment Center 2 Parts Manual

TABLE 87. MOTOR MOUNTING BRACKET ASSEMBLY

INDEX	PART NUMBER	DESCRIPTION	QTY
-	4407077	MOTOR MOUNTING BRACKET ASSEMBLY - 110V	1
-	4847017	MOTOR MOUNTING BRACKET ASSEMBLY - 230V	1
1	9900098	COTTER PIN - 3/32 X 3/4 IN.	1
2	4407157	MOTOR - FOOD MODULE (110V)	1
2	4847003	MOTOR - FOOD MODULE (230V)	1
3	1217159	4-40 KEPS W/EXT L/WAS H ZP	4
4	2306488	SWITCH V3 - 1101 - D8	2
5	4407131	MOUNTING BRACKET - MOTOR	1
6	9900023	SCREW - #8-32 X .37 PHS W/LW	4
7	4407079	ARM - DRIVE	1
8	4407084	ACTUATOR ASSEMBLY - H.C. SWITCH	1
9	1451097	SCREW - #8-32 X .31 HEX HD. TF - BLK	2
10	2228011	SPACER RELEASE ARM	1
11	5201086	SCREW #4-40 X 1 RHS	4
12	1452139	RETAINER - HARNESS	1
13	2304109	SWITCH ROLLER LEVER V3L - 139 - D8	2
14	4407093	CAM - H.C. SWITCH OVERRIDE	1
15	4407080	COUPLING - MOTOR & DRIVE SHAFT	1
16	3127034	ROLL PIN 1/8 X 13/16	3

This document is available free of
charge to our customers.
Crane Merchandising Systems

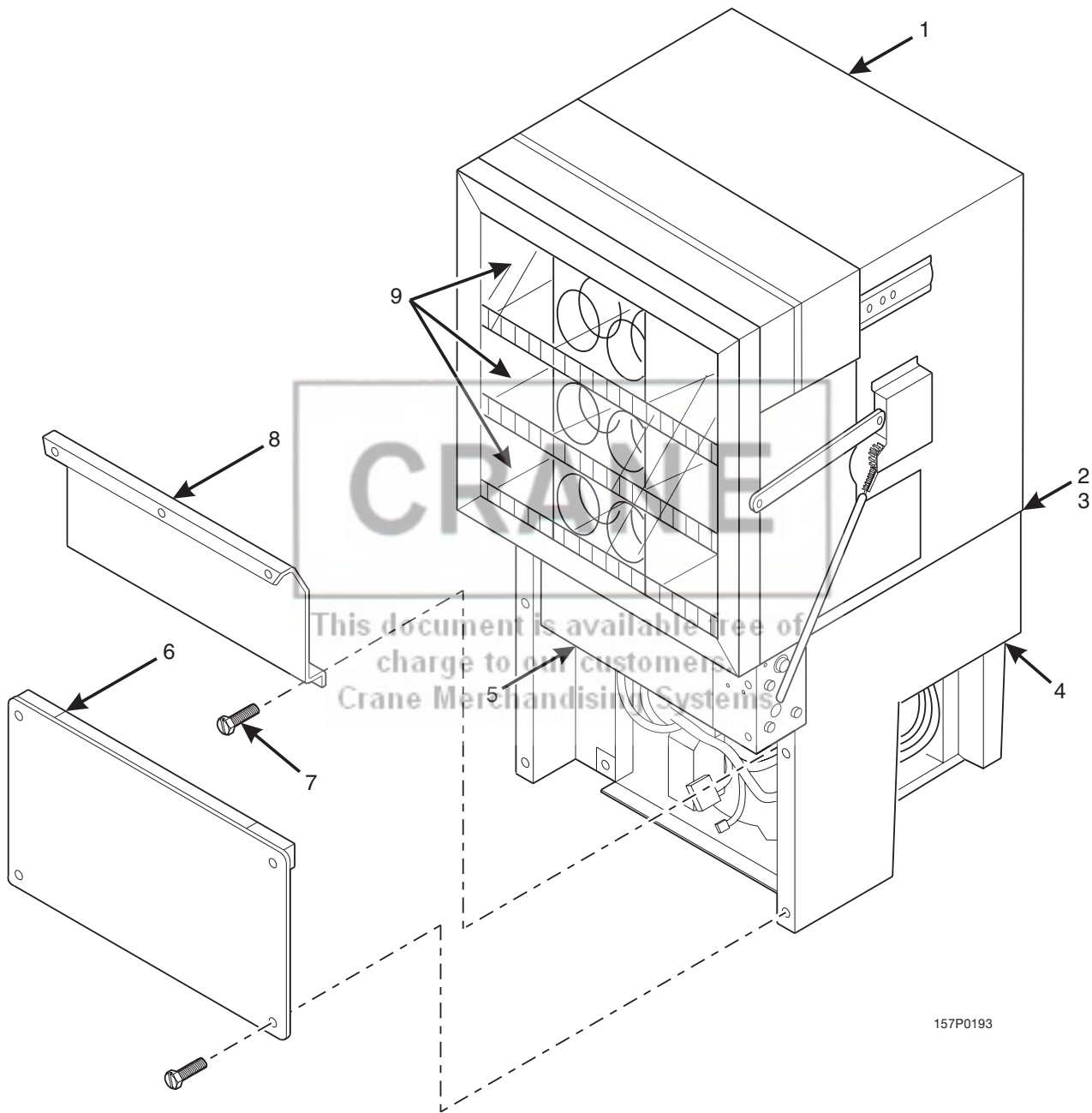


Figure 87. Frozen Food Module and Housing Assembly



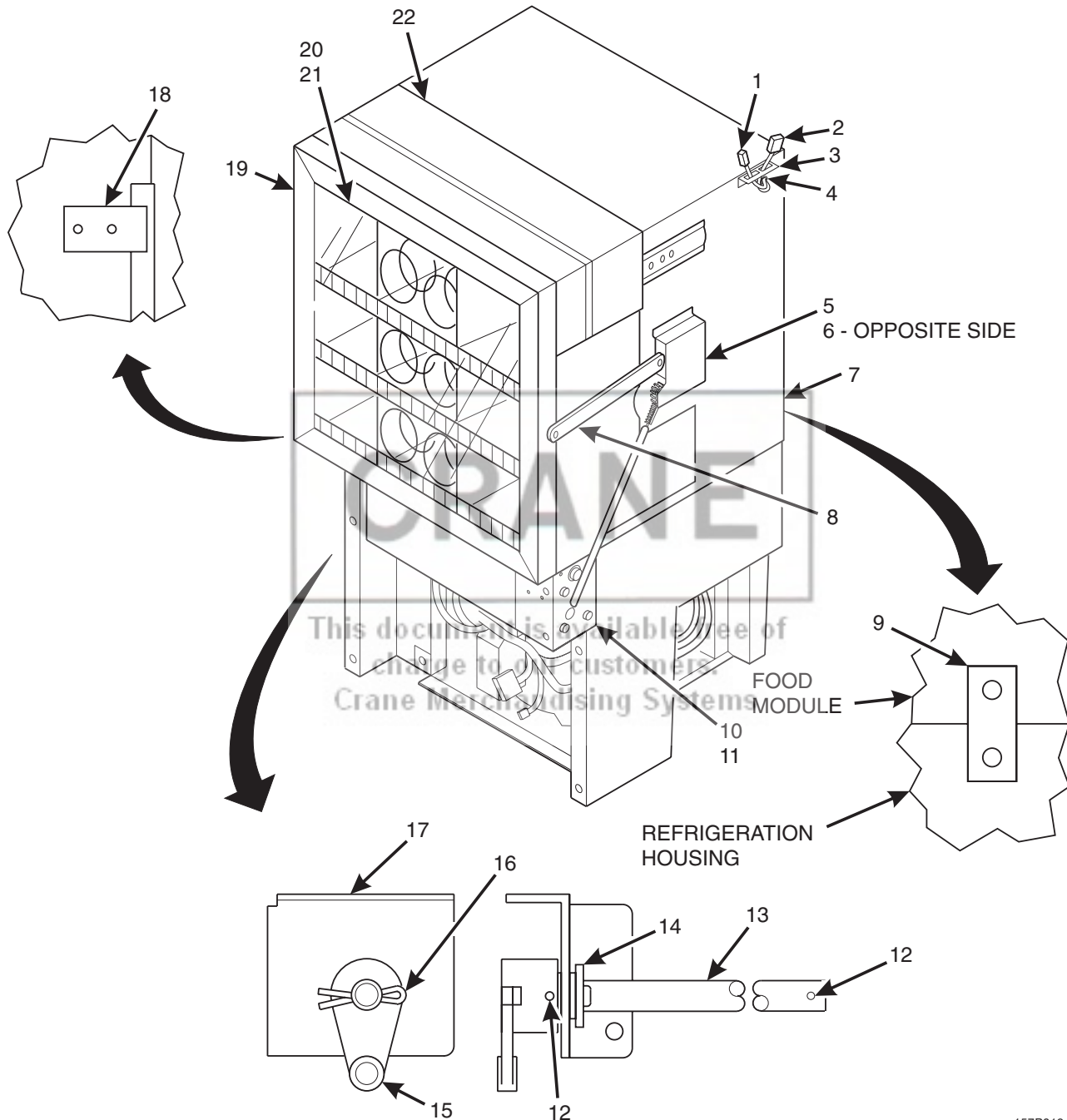
Snack / Refreshment Center 2 Parts Manual

TABLE 88. FROZEN FOOD MODULE AND HOUSING ASSEMBLY

INDEX	PART NUMBER	DESCRIPTION	QTY
1	4847005	REFRIGERATED FOOD MODULE ASSEMBLY - 110V	1
	4847018	REFRIGERATED FOOD MODULE ASSEMBLY - 220V	
2	4404013	GASKET - REFRIGERATED MODULE - OUTSIDE	1
3	4744017	GASKET - REFRIGERATED MODULE	1
4	4844007	REFRIGERATION MODULE ASSEMBLY - 110V	1
	4874050	REFRIGERATION MODULE ASSEMBLY - DANFOSS (230V)	
5	4744027	DOOR - REFRIGERATION MODULE	1
6	1581028	COVER & SEAL ASSY - COMPRESSOR (MODEL 484 -SHOWN)	1
	4681020	COVER & SEAL ASSY - COMPRESSOR (MODEL 487 -NOT SHOWN)	
7	4727144	SCREW - #8-18X.62 HEX HEAD	6
8	4744042	DOOR - RETAINER	1
9	-	TRAY ASSEMBLIES (SEE FIGURE 79 FOR DETAILS)	3

CRANE

This document is available free of
charge to our customers.
Crane Merchandising Systems



157P0194

Figure 88. Major Components - Frozen Food Module



Snack / Refreshment Center 2 Parts Manual

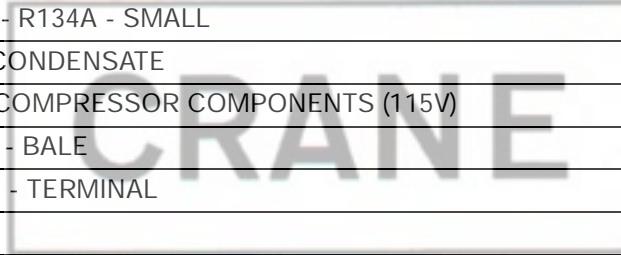
TABLE 89. MAJOR COMPONENTS - FROZEN FOOD MODULE

INDEX	PART NUMBER	DESCRIPTION	QTY
1	4119013	PROBE - TEMPERATURE SENSOR	1?
2	4407009	JUMPER - CHANNEL PCB - FOOD MODULE	1
3	4407002	BRACKET - CABLE PLUG	1
-	4721035	SCREW - #8-18 X .38 - LGM	2
4	3502097	BUSHING #OCB - 500	1
5	4407069	DRIVE ARM ASSEMBLY - R.H. (SEE FIGURE XX 79 FOR DETAILS)	1
-	9900425	RETAINING RING REINF. E TYP. 250	1
-	1451097	SCREW - 8-32 X .31 HEX HD. TF - BLK	5
6	4407052	DRIVE ARM ASSEMBLY - L.H. (SEE FIGURE 84 FOR DETAILS)	1
-	9900425	RETAINING RING REINF. E TYP. 250	-
-	1451097	SCREW - 8-32 X .31 HEX HD. TF - BLK	-
7	4747710	HOUSING - LINER ASSEMBLY - FRZN FOOD	1
8	9900431	RETAINING RING REINF. E TYP. 312	1
9	4747062	MOUNTING STRAP - CAN MODULE	2
-	4721035	SCREW - #8-18 X .38 - LGM	-
-	4727144	SCREW - #818 X .62 HEX HEAD	-
10	4407077	MOTOR MOUNTING BRACKET ASSEMBLY (110V) (SEE FIGURE 86 FOR DETAILS)	1
	4847017	MOTOR MOUNTING BRACKET ASSEMBLY (230V) (SEE FIGURE 86 FOR DETAILS)	
11	4747725	COVER - MOTOR ASSEMBLY	1
-	1451097	SCREW - #8-32 X .31 HEX HD. TF - BLK	5
-	4407086	DRIVE SHAFT ASSEMBLY (INCLUDES INDEX NUMBERS 12 - 17)	1
12	3127034	ROLL PIN 1/8 X 13/16	2
13	4407087	SHAFT - DRIVE	1
14	4047012	SHOULDER BUSHING	1
15	4407079	ARM - DRIVE	1
16	9900098	COTTER PIN 3/32 X 3/4 IN.	2
17	4407088	BRACKET - DRIVE SHAFT	1
18	4844027	GUIDE - DOOR FRAME SUPPORT	1
-	4721035	SCREW	2
-	4727144	SCREW	2
19	4407115	DOOR ASSEMBLY - FROZEN FOOD MODULE (SEE FIGURE 76 FOR DETAILS)	1
-	5500026	SCREW - 8-32 X 3/8 PHS T/F	-
20	4741223	DECAL - COLD/FROZEN FOOD	1
21	4612001	DECAL - "CHILLED FOR FRESHNESS"	1
22	4747716	DOOR FRAME ASSEMBLY (SEE FIGURE 76 FOR DETAILS)	1
-	5500026	SCREW - 8-32 X 3/8 PHS T/F	1



TABLE 90. FROZEN MODULE ASSEMBLY - FOOD (110 V)

PART NUMBER	DESCRIPTION	QTY
4844010	REFIGERATION MODULE ASSEMBLY - FINAL - FROZEN	1
4744575	EVAPORATOR & TUBE ASSEMBLY - FROZEN FOOD MODULE	1
4844022	HEATER - DEFROST - 115V (INSERTS INTO EVAPORATOR NEXT TO COILS)	2
4744505	PAN ASSEMBLY - EVAPORATOR DRAIN	1
4744506	HEATER - EVAPORATOR DRAIN - FROZEN MODULE	1
4744507	PLATE - EVAPORATOR	1
4744001	HOUSING ASSEMBLY - REFRIGERATION MODULE	1
4844018	TRIAC & RELAY SUPPORT ASSEMBLY - FROZEN	1
4774027	BLADE - CONDENSER FAN	1
4304092	MOTOR - CONDENSER FAN	1
4744009	BRACKET - CONDENSER MOTOR	1
4724066	GROMMET - 11/16" HIGH	4
4744576	BASE & STUD ASSEMBLY	1
4114036	LABEL - R134A - SMALL	1
4644029	PAN - CONDENSATE	1
4844031	BAG - COMPRESSOR COMPONENTS (115V)	1
-	STRAP - BALE	
-	COVER - TERMINAL	
-	RELAY	
-	OVERLOAD	
4844028	COMPRESSOR - 115 - R - 404A - 1/4 HP	1
4774026	SHROUD - CONDENSER FAN	1
3634002	COIL - CONDENSER	1
4301152	DRAIN - CONDENSATE	1
4849023	HARNESS - FROZEN MODULE COMPRESSOR	1
4744558	SHROUD - EVAPORATOR FAN - FREEZER	1
4844000	FAN - EVAPORATOR - AXIAL	1
4744559	SHROUD - TOP - FREEZER	1
4974053	THERMOSTAT - FROZEN MODULE (AUTO RESET)	1
3128063	DRAIN - WATER BATH	1



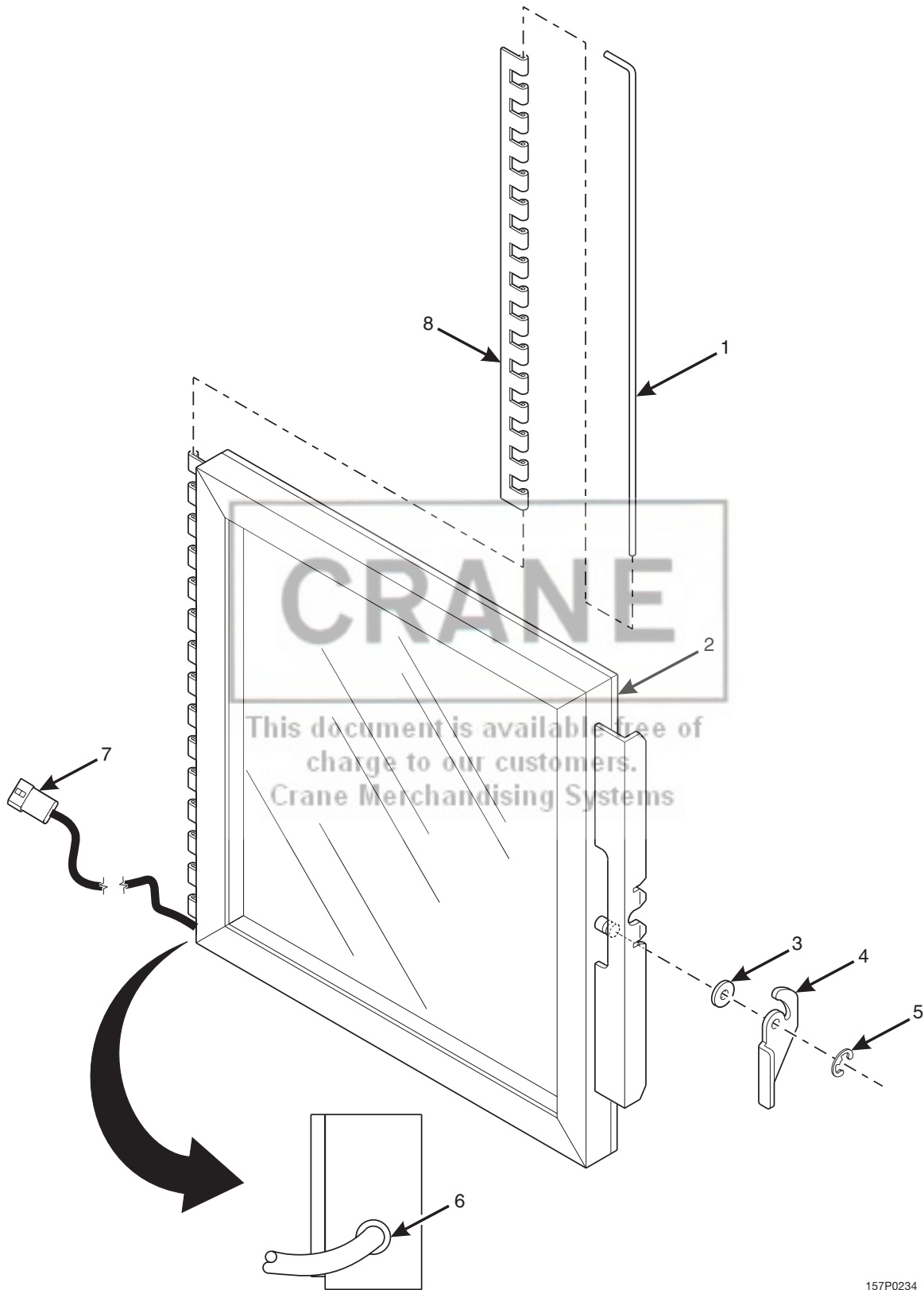
This document is available free of charge to our customers. Crane Merchandising Systems



Snack / Refreshment Center 2 Parts Manual

TABLE 91. FROZEN MODULE ASSEMBLY - FOOD (220 V)

PART NUMBER	DESCRIPTION	QTY
4874007	REFRIG. MODULE - FRZN. FOOD - FOR	1
4874031	EVAPORATOR & TUBE ASSEMBLY - FOR.	1
4874037	HEATER - DEFROST - 230V (INSERTS INTO EVAPORATOR NEXT TO COILS)	2
4744505	PAN ASSEMBLY - EVAPORATOR DRAIN	1
4849026	HEATER - EVAPORATOR DRAIN - FROZEN MODULE (220V)	1
4744507	PLATE - EVAPORATOR	1
4874010	HOUSING ASSEMBLY - REFRIGERATION MODULE	1
4844018	TRIAC & RELAY SUPPORT ASSEMBLY - FROZEN	1
4774027	BLADE - CONDENSER FAN	1
4774122	MOTOR - CONDENSER FAN (230V)	1
4744009	BRACKET - CONDENSER MOTOR	1
4874027	BAG - COMPRESSOR COMPONENTS	1
-	BALE STRAP	1
-	OVERLOAD	1
-	RELAY	1
-	CAPACITOR	1
-	GROMMET	4
-	SLEEVE	4
4774105	BASE & STUD ASSEMBLY - COND. (FOR)	1
4114036	LABEL - R134A - SMALL	1
4644029	PAN - CONDENSATE	1
4874026	COMPRESSOR - 220V - T2140GK	1
4774111	SHROUD - CONDENSER FAN	1
3634002	CONDENSER	1
4301152	DRAIN - CONDENSATE	1
4849023	HARNESS - FROZEN MODULE COMPRESSOR	1
4744558	SHROUD - EVAPORATOR FAN - FREEZER	1
4314054	FAN - EVAPORATOR - AXIAL - FOREIGN	1
4744559	SHROUD - TOP - FREEZER	1
4974053	THERMOSTAT - AUTO RESET - FROZEN MODULE	1
3128063	DRAIN - WATER BATH	1



157P0234

Figure 91. Door Assembly - Frozen Food Module



Snack / Refreshment Center 2 Parts Manual

TABLE 92. DOOR ASSEMBLY - FROZEN FOOD MODULE

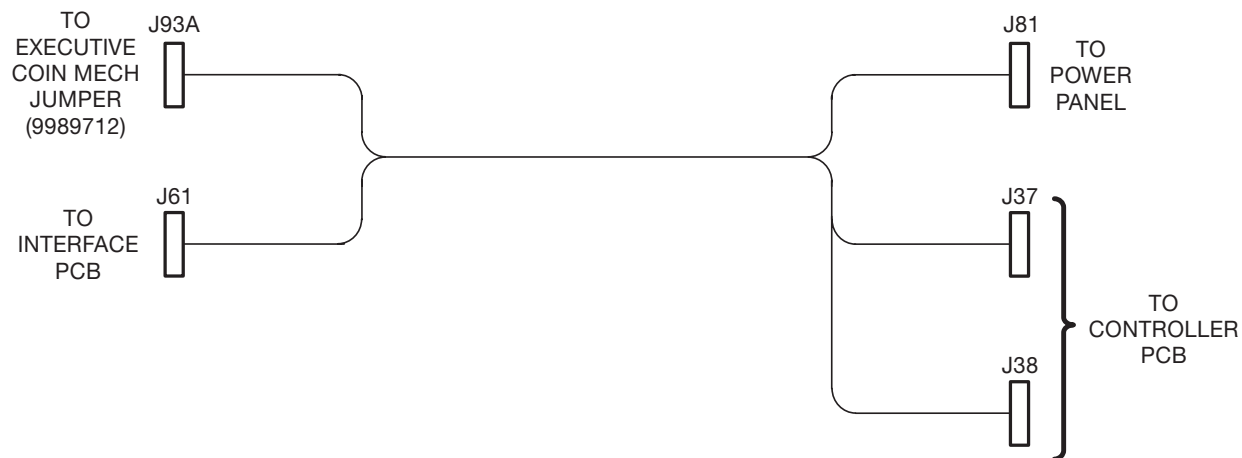
INDEX	PART NUMBER	DESCRIPTION	QTY
-	4747704	DOOR ASSEMBLY FROZEN FOOD MODULE (110V)	-
-	4877005	DOOR ASSEMBLY FROZEN FOOD MODULE (220V)	-
1	4407120	PIN - HINGE	1
2	-	DOOR (NOT AVAILABLE SEPARATELY)	1
3	5220113	SPRING WASHER .500 X .254 X .006	1
4	4407160	LEVER - LATCH	1
5	9900425	RETAINING RING REINF E TYP. 250	1
6	4747718	HEYCO - .281 ID X .250 LG.	1
7	1271057	PLUG 2 CIRCUIT #03-09-2022	1
8	4407132	HINGE - FOOD MODULE DOOR	1

CRANE

This document is available free of
charge to our customers.
Crane Merchandising Systems



9989750
24VAC PCB & COIN POWER HARNESS



9989750

1579008
16 CONDUCTOR RIBBON CABLE



1579008

1579024
JUMPER GUM & MINT INTERFACE
Crane Merchandising Systems



1579009
MONETARY DOOR SWITCH JUMPER



1579009

Figure 92. Wiring Harnesses (Part 1 of)

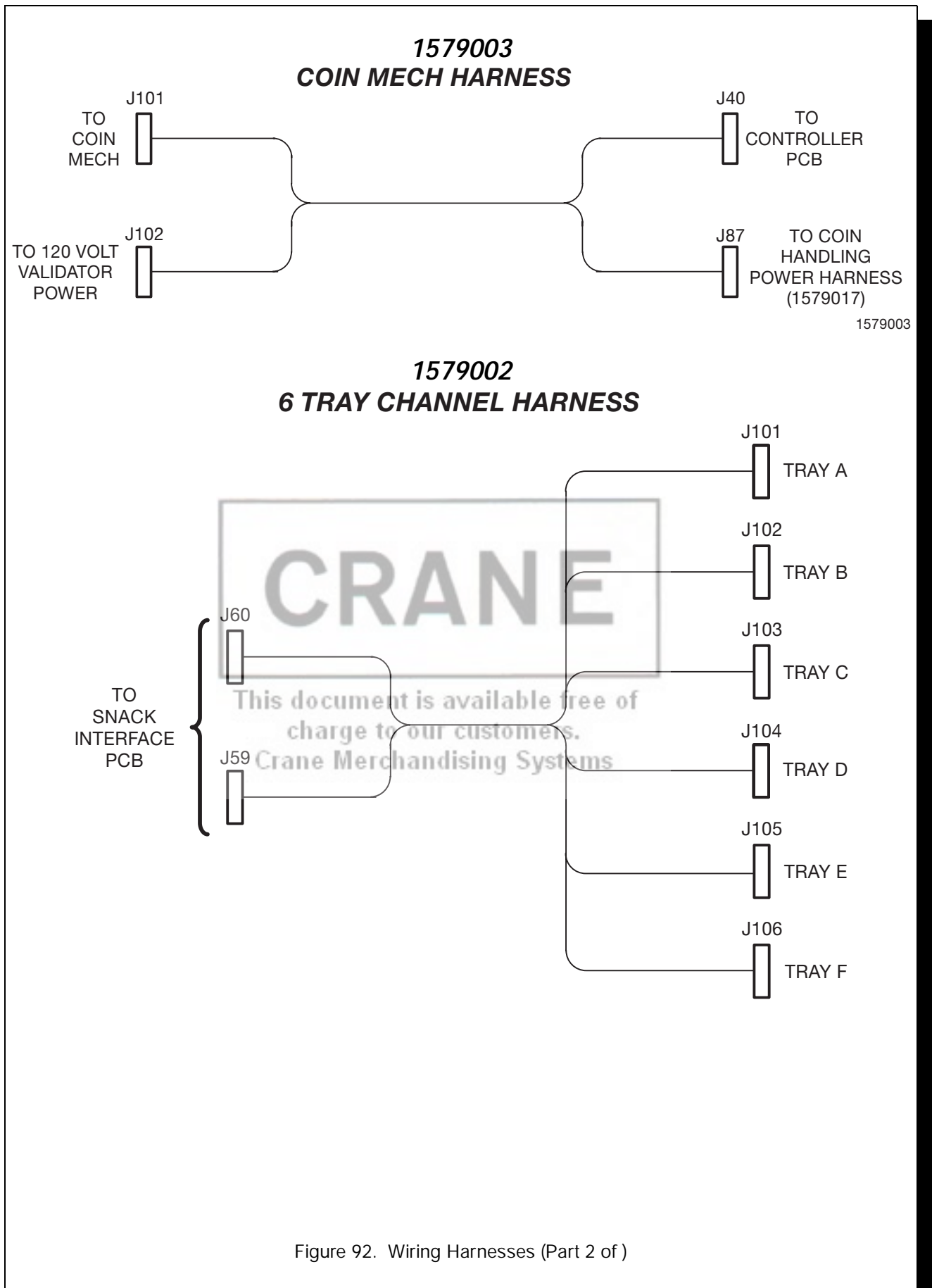


Figure 92. Wiring Harnesses (Part 2 of)

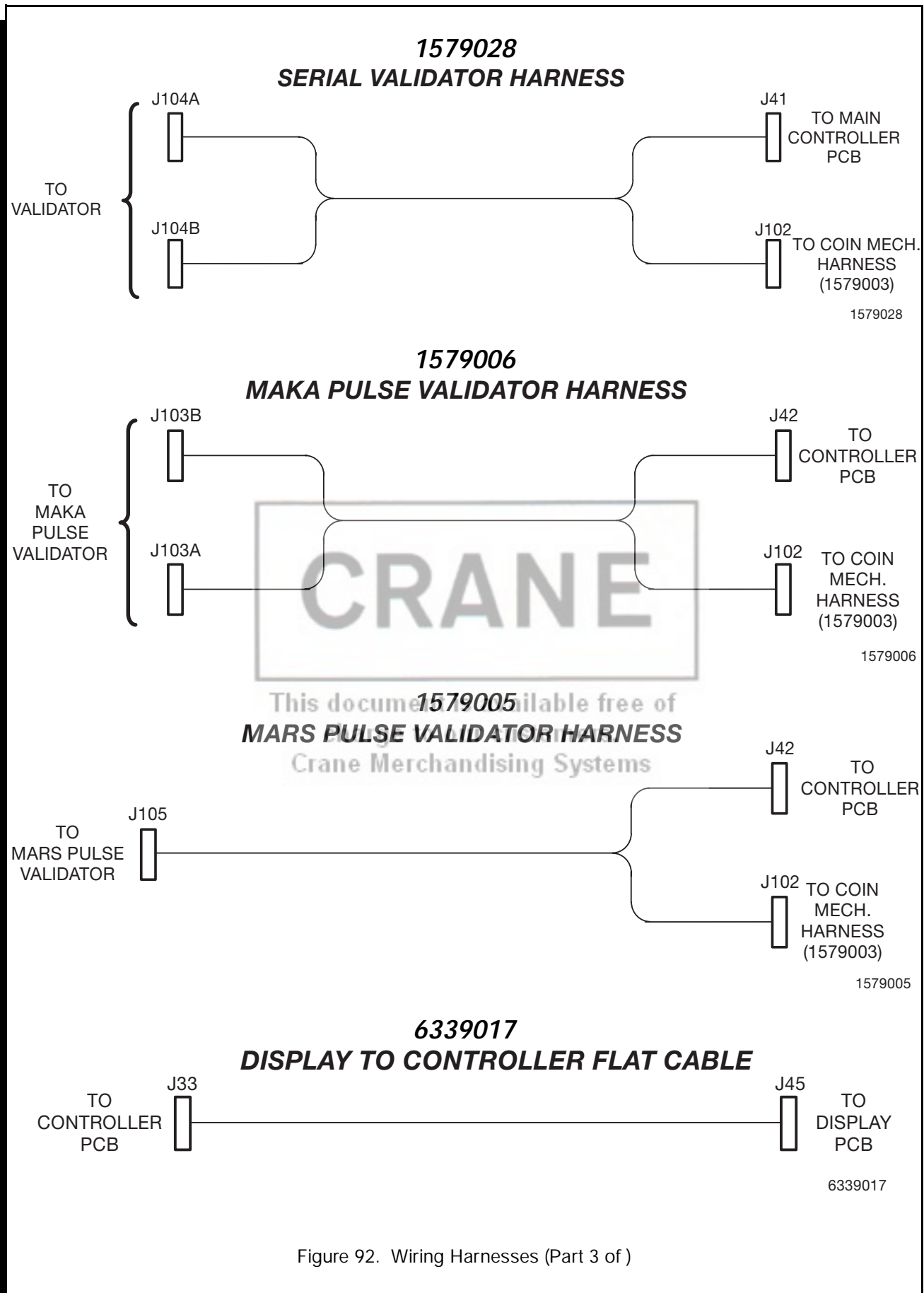


Figure 92. Wiring Harnesses (Part 3 of)

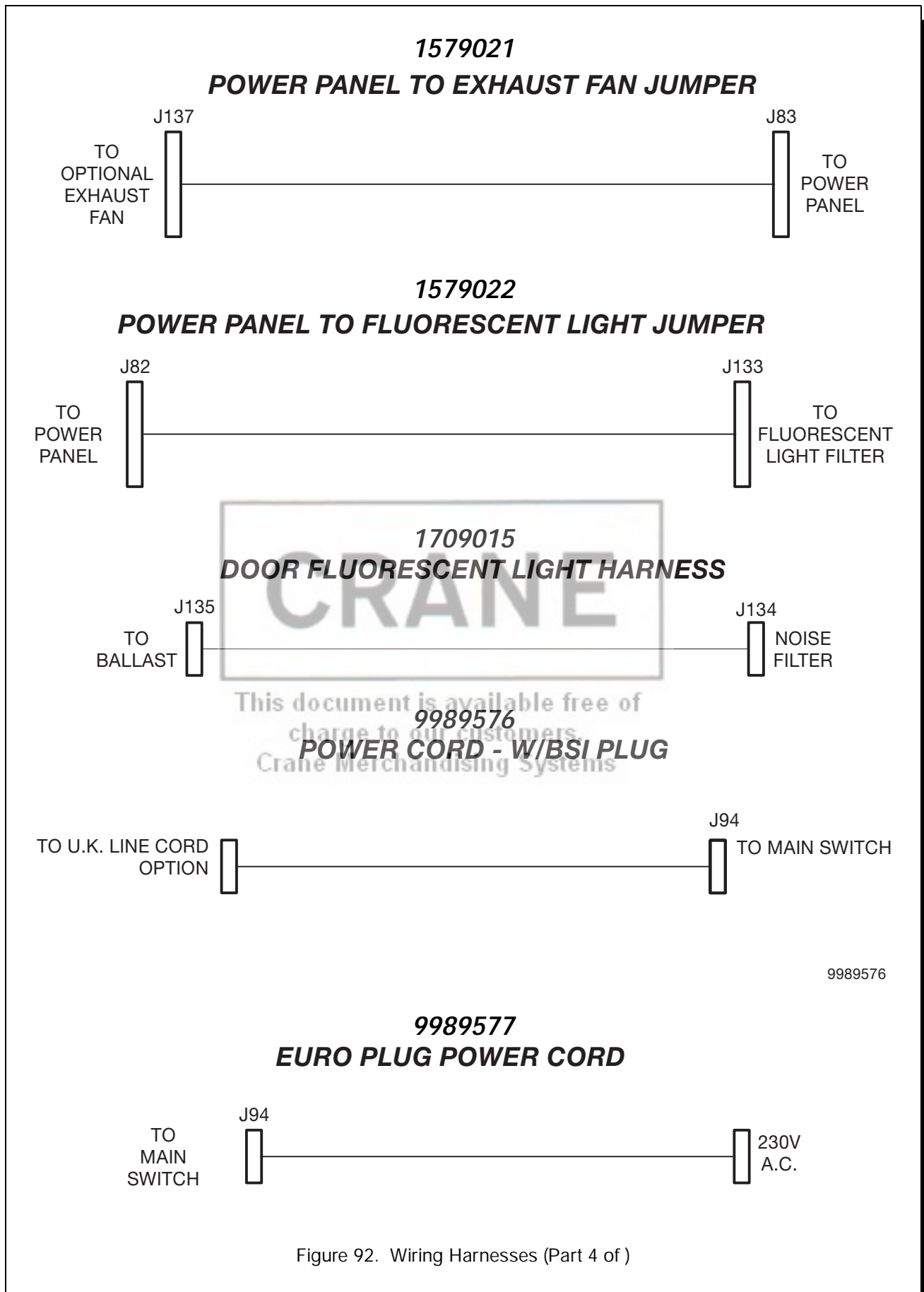
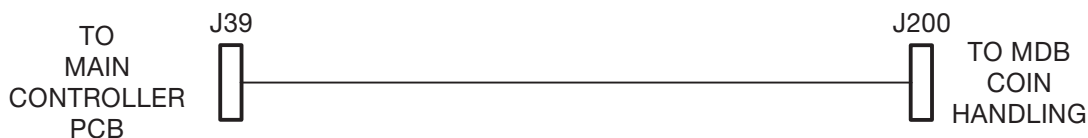


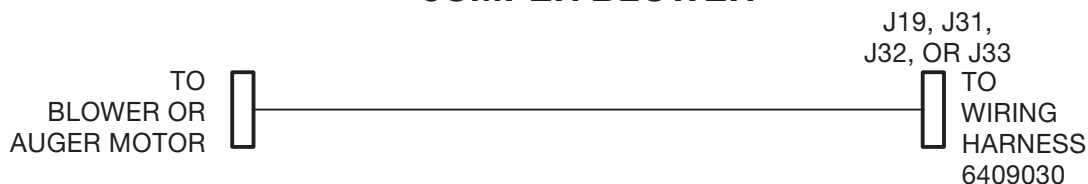
Figure 92. Wiring Harnesses (Part 4 of)



**9989706
MDB HARNESS**

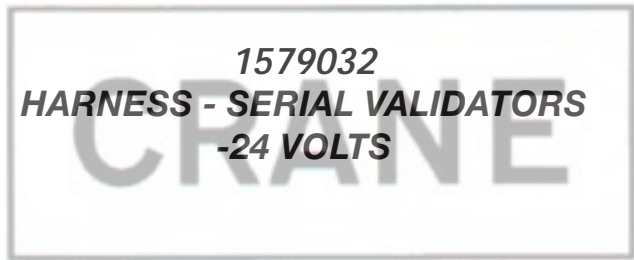


**9989637
JUMPER BLOWER**



9989637

**1579032
HARNESS - SERIAL VALIDATORS
-24 VOLTS**

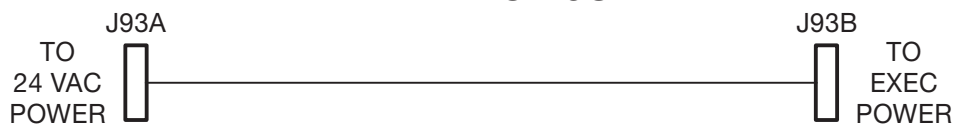


This document is available free of charge to our customers.
Crane Merchandising Systems



1579032

**9989718
24V VALIDATOR JUMPER**



9989718

Figure 92. Wiring Harnesses (Part 5 of)

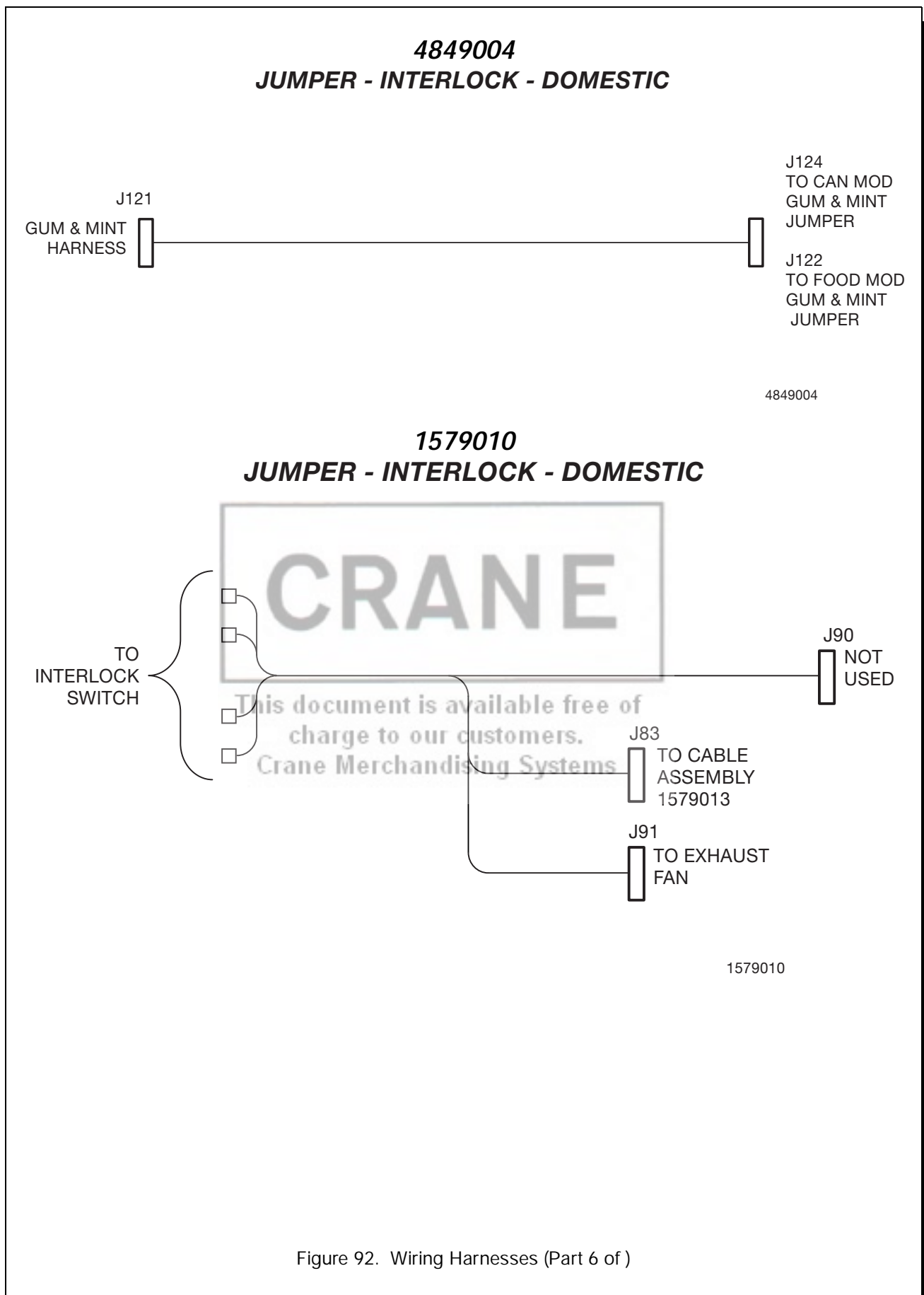
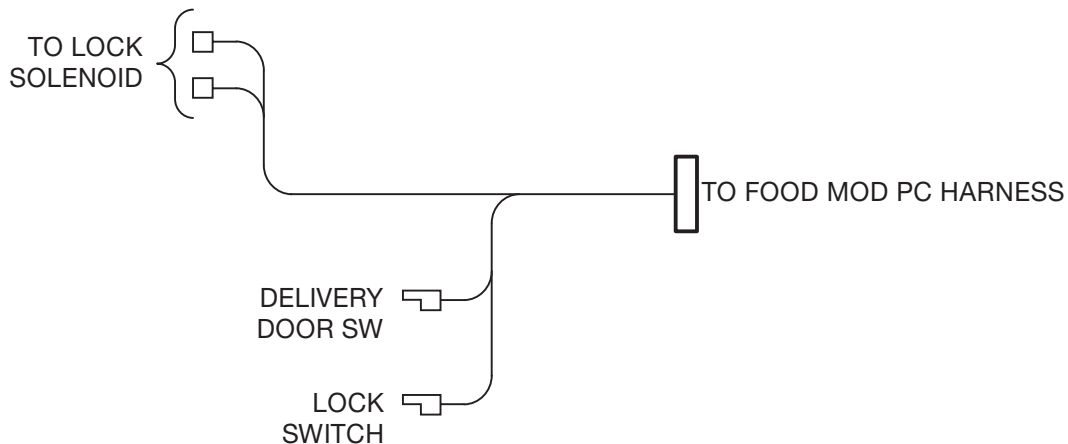


Figure 92. Wiring Harnesses (Part 6 of)



4849027
DELIVERY PAN LOCK SOLENOID HARNESS



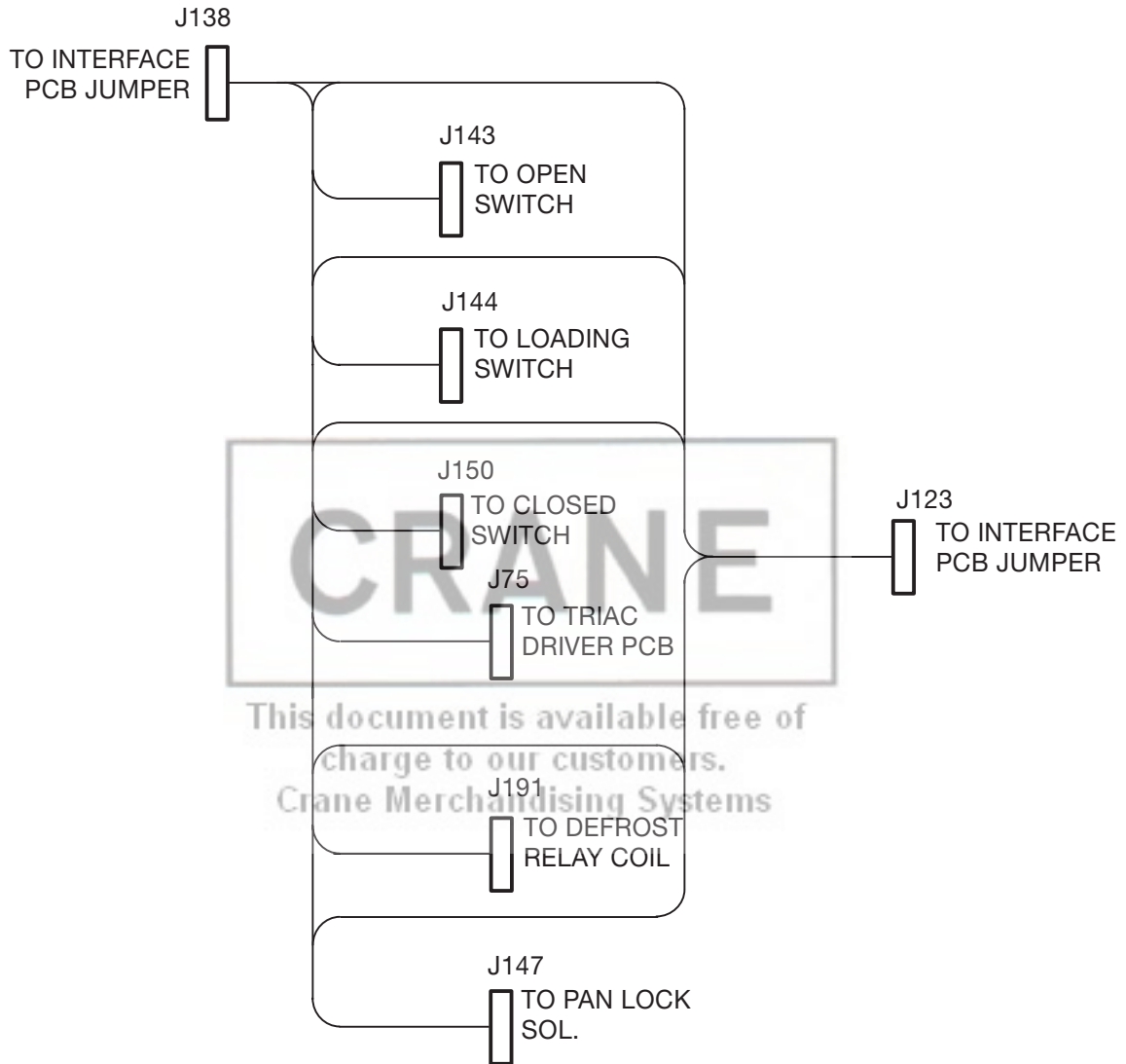
4849002
POWER PANEL TO COMPRESSOR JUMPER



Figure 92. Wiring Harnesses (Part 7 of)



4979008
HARNESS - FOOD/FRZN MOD. - DC



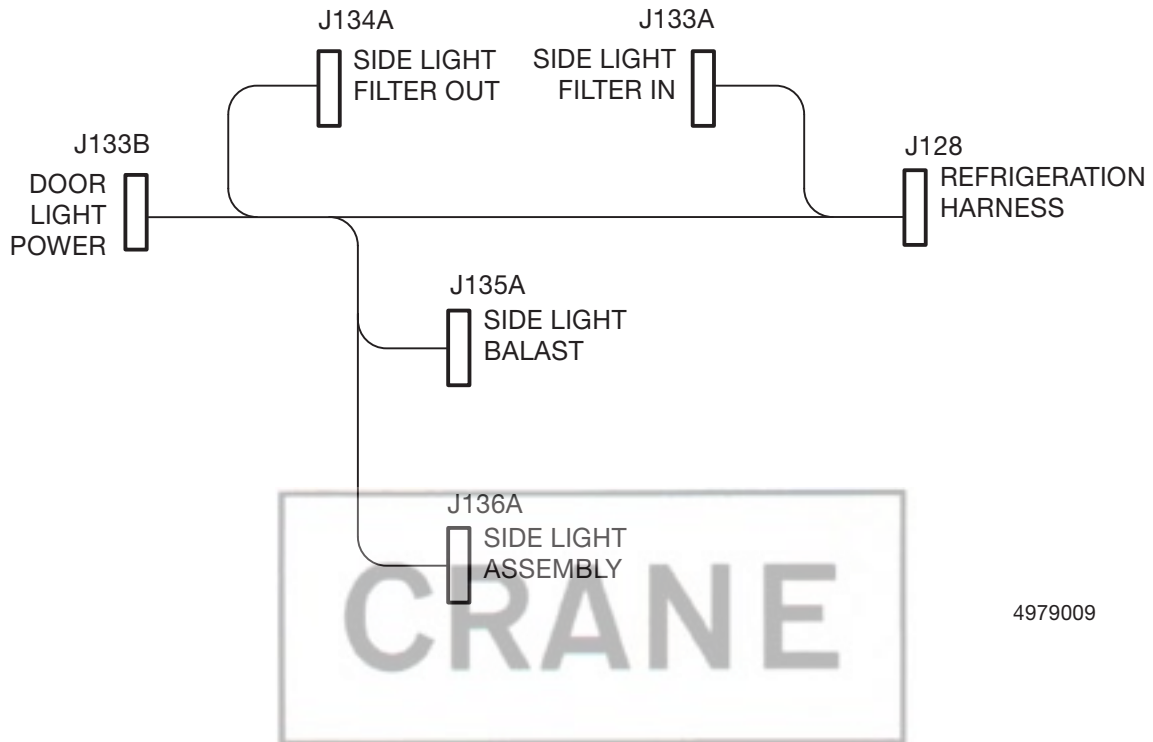
This document is available free of charge to our customers.
Crane Merchandising Systems

4979008

Figure 92. Wiring Harnesses (Part 8 of)



4979009
SIDE PANEL & DOOR FLUORESCENT LIGHT HARNESS



4979009

This document is available free of charge to our customers.
Crane Merchandising Systems

Figure 92. Wiring Harnesses (Part 9 of)



4979007 POWER PANEL AC HARNESS

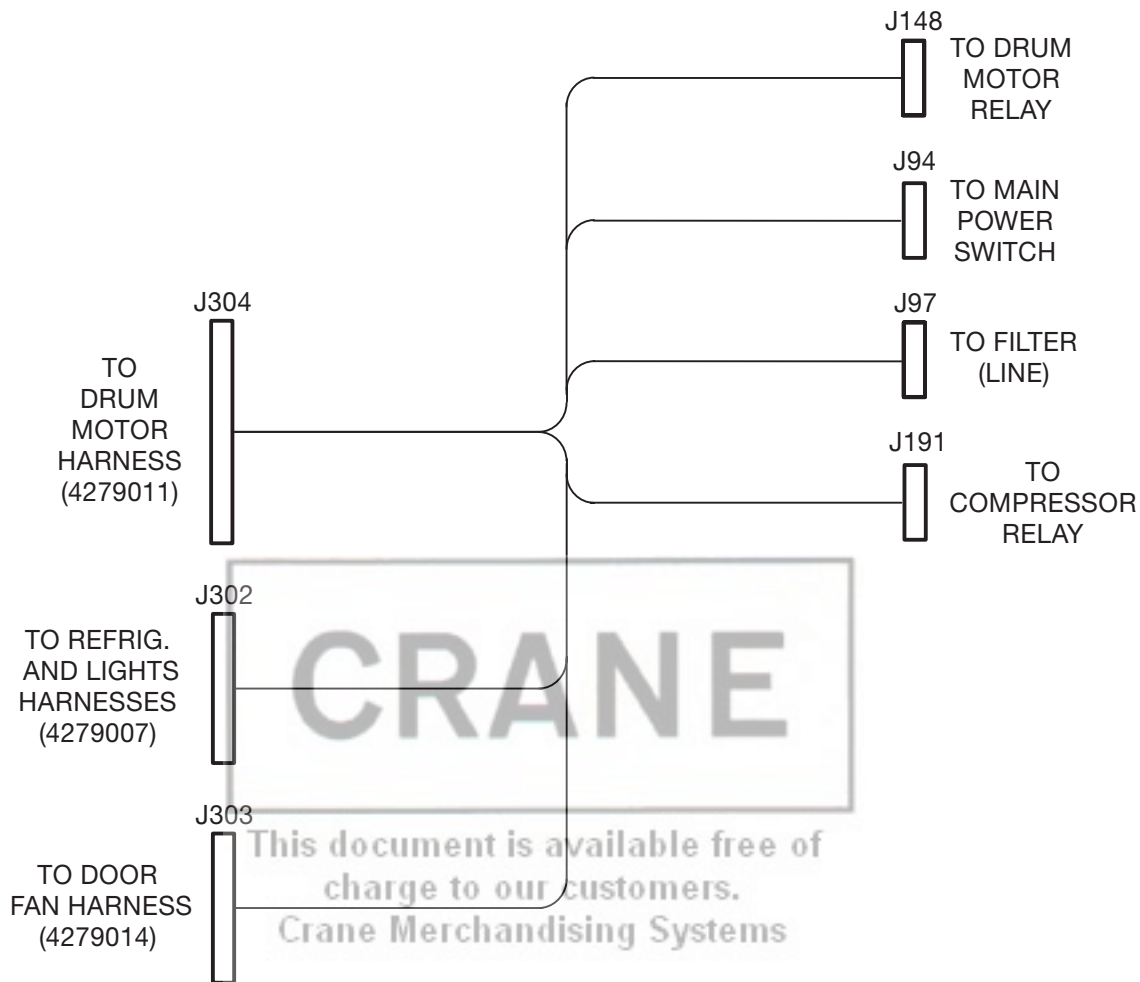
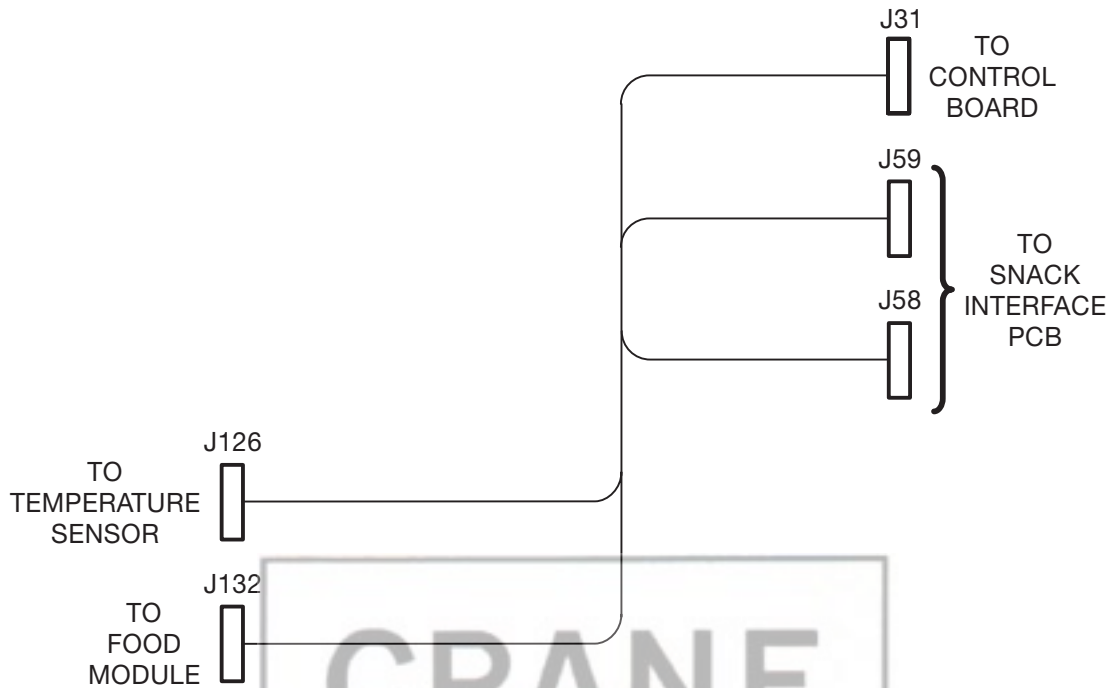


Figure 92. Wiring Harnesses (Part 10 of)



4849014
FOOD MODULE TO PCB HARNESS



4849008
FOOD MODULE FLUORESCENT LIGHT HARNESS

This document is available free of charge to our customers.
Crane Merchandising Systems



4849008

Figure 92. Wiring Harnesses (Part 11 of)